

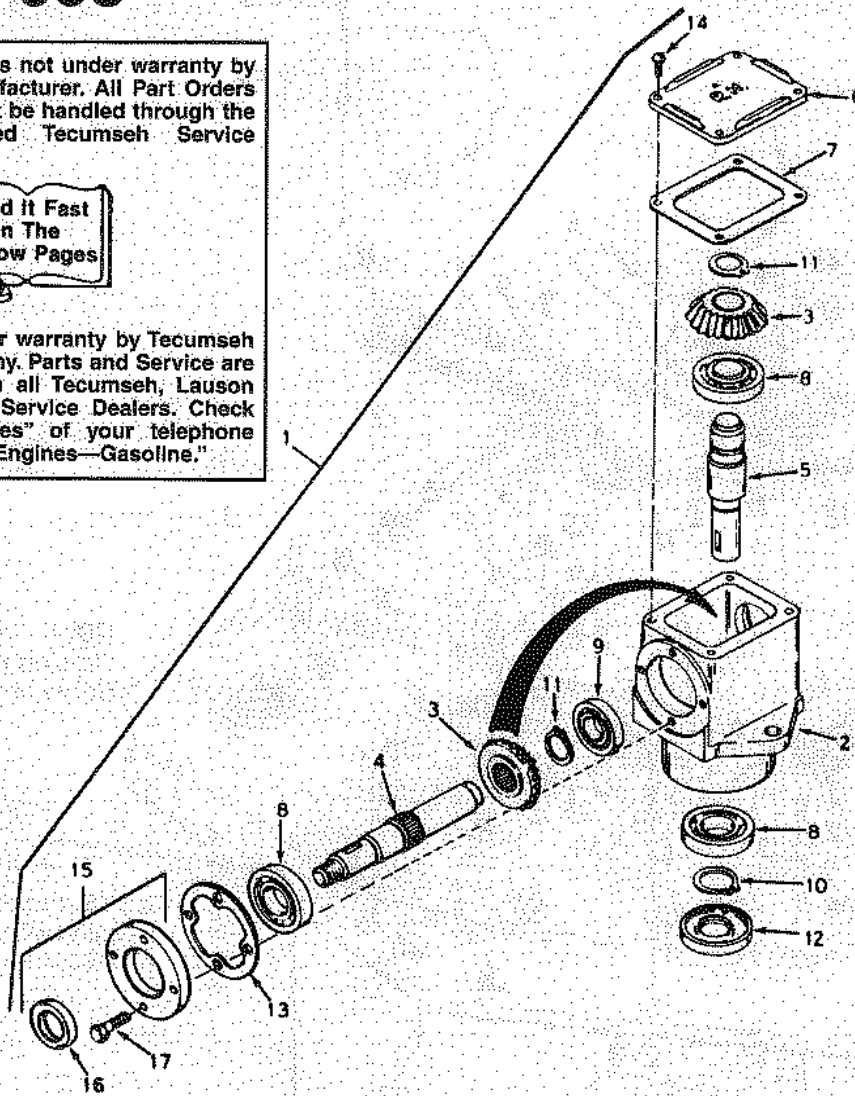
Model 993

RIGHT ANGLE DRIVE BOX (PEERLESS 2604-P91)

NOTE: This unit is not under warranty by the mower manufacturer. All Part Orders and Service must be handled through the Local Authorized Tecumseh Service Dealer.



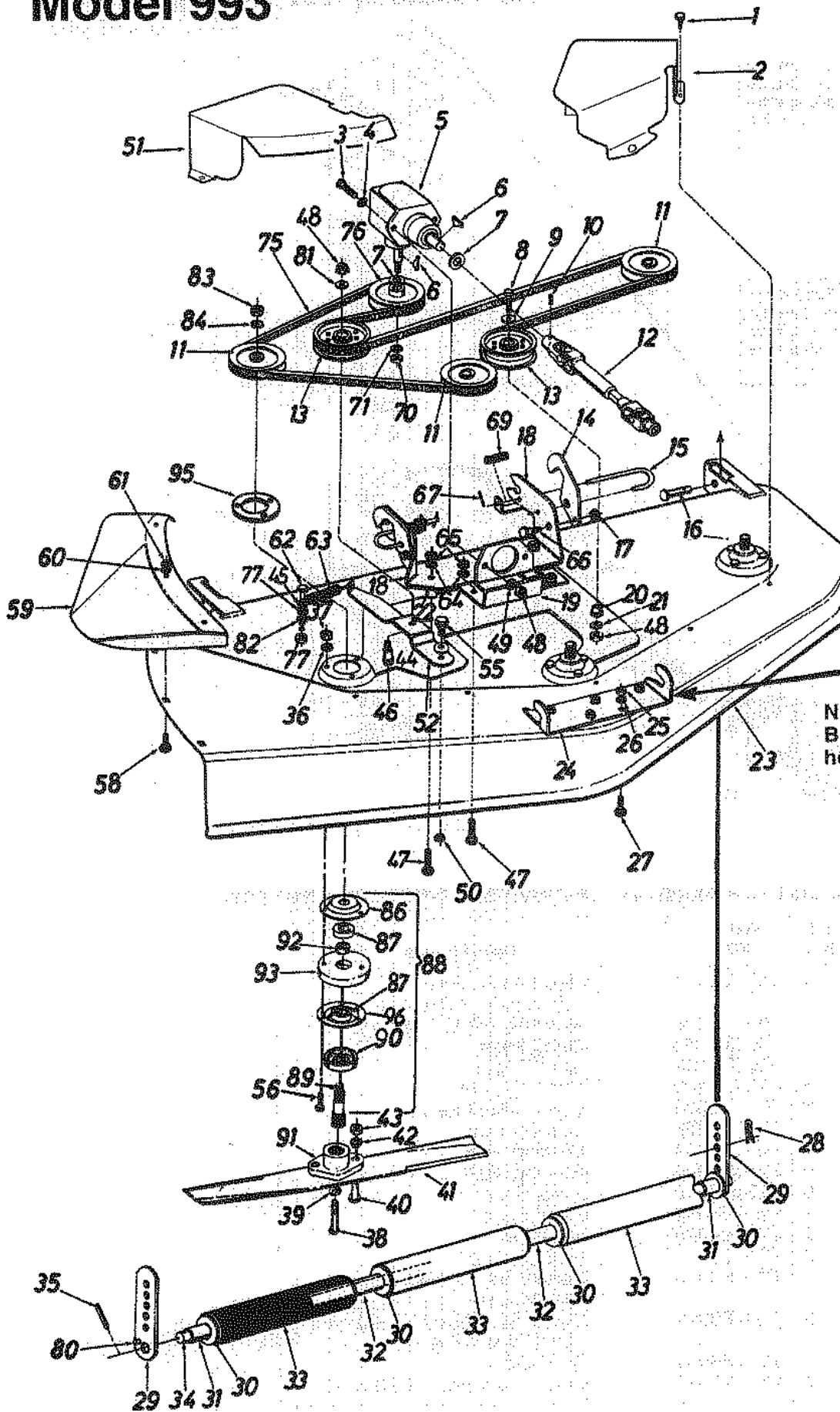
This unit is under warranty by Tecumseh Products Company. Parts and Service are available through all Tecumseh, Lauson Power Products Service Dealers. Check the "Yellow Pages" of your telephone directory under "Engines—Gasoline."



PARTS LIST FOR RIGHT ANGLE DRIVE BOX (PEERLESS 2604-P91)

REF. NO.	PART NO.	DESCRIPTION
1	PE-794111	Head Ass'y. R.H. (Incl. Nos. 2 thru 15)
2	PE-770026	Housing, Right Angle Drive
3	PE-778046	Gear, Miter
4	PE-776149	Shaft, Input
5	PE-776129	Shaft, Output
6	PE-772034	Cover, Right Hand
7	PE-788028	Gasket, Cover
8	PE-780034	Bearing, Ball
9	PE-780024	Bearing, Ball
10	PE-788019	Ring, Snap
11	PE-788018	Ring, Snap
12	PE-788029	Seal, Oil
13	PE-788030	Gasket, Cap
14	PE-792025	Screw, Rd. Hd. Self-Tap. 10-24 x 1/2
15	PE-786029	Cap & Seal Ass'y., Retainer (Incl. Nos. 16 & 17)
16	PE-788031	Seal, Oil
17	PE-792026	Screw, Hex Hd. 1/4-20 x 7/8

Model 993



NOTE: Front Deck Hanger Bracket must be mounted in holes to the rear.

NOTE: Front Deck Hanger Bracket must be mounted in holes to the rear.

Model 993

PARTS LIST FOR MODEL 993 50" MOWING DECK

REF. NO.	PART NO.	CODE	DESCRIPTION	REF. NO.	PART NO.	CODE	DESCRIPTION
1	710-0599		Hex TT-Tap Scr. 1/4-20 x .5" Lg.	43	712-0237		Hex L-Nut 5/16-24 Thd.
2	783-0131		Belt Cover—L.H.	44	736-0141		Spr. Wash. .445" I.D.
3	710-0342		Hex Bolt 3/8-16 x 1.25" Lg.	45	736-0176		Fl-Wash. 1/4" I.D.
4	736-0148		Ext. L-Wash. 3/8" I.D.	46	738-0150		Shld. Bolt .625" Dia. x .96"
5	—		Right Angle Drive	47	710-0262		Carriage Bolt 5/16-18 x 1.5" Lg.
6	714-0126		#9 Hi-Pro Key 3/16 x 3/4" Dia.	48	712-3017		Hex Nut 3/8-16 Thd.*
7	736-0181		Fl-Wash. 29/32" I.D.	49	736-0169		L-Wash. 3/8" I.D.*
8	710-0756		Hex Bolt 3/8-16 x 2.25" Lg.*	50	712-0290		Hex L-Nut 7/16-14 Thd.
9	736-0300		Fl-Wash. 3/8" I.D.	51	783-0130		Belt Cover—R.H.
10	710-0357		Sq. Hd. Set Scr. 3/8-16 x .50"	52	09489		Deck Spring Idler Brkt.
11	756-0519		Deck Pulley	55	738-0163		Shld. Bolt .625" Dia. x .26"
12	717-0401		Universal Drive Shaft Ass'y.	56	710-0672		Hex Bolt 5/16-24 x 1.5" Lg.
	717-0439		Universal Drive Male Half				(Grade 5)
	717-0440		Universal Drive Female Half	58	710-0451		Carriage Bolt 5/16-18 x .75" Lg.*
13	711-0306		Deck Idler Pulley	59	12649		Chute Guard
14	12564		Hanger Lock	60	736-0119		L-Wash. 5/16" I.D.*
15	747-0160		Release Pin	61	712-3010		Hex Nut 5/16-18 Thd.*
16	711-0310		Clevis Pin .50" Dia.	62	710-0559		Hex Bolt 1/4-28 x 1-3/4" Lg.
17	712-0158		Hex L-Nut 5/16-18 Thd.	63	732-0180		Extension Spring
18	12648		Rear Deck Hanger Brkt.	64	736-0119		L-Wash. 5/16" I.D.*
19	13705		Gear Box Mounting Brkt. Ass'y.	65	712-3010		Hex Nut 5/16-18 Thd.*
20	711-0598		Idler Adapter	66	738-0296		Shld. Bolt
21	736-0169		L-Wash. 3/8" I.D.*	67	715-0129		Roll Pin 1/8" Dia.
22	750-0776		Spacer .33" I.D. x .88" O.D.	69	732-0306		Compression Spring
23	12640		Deck Ass'y.	70	712-0923		Hex L-Nut 5/8-18 Thd.
24	12646		Front Deck Hanger Brkt.	71	736-0158		L-Wash. 5/8" I.D.*
25	712-3010		Hex Nut 5/16-18 Thd.*	75	754-0197		"V"-Belt
26	736-0119		L-Wash. 5/16" I.D.*	76	756-0632		Drive Pulley
27	710-0451		Carriage Bolt 5/16-18 x .75" Lg.*	77	712-0138		Hex L-Nut 1/4-28 Thd.
28	714-0101		Internal Cotter Pin	80	715-0108		Spring Pin Spiral 1/4" Dia.
29	12650		Height Adjuster				1.00" Lg.
30	736-0188		Fl-Wash. .75" I.D. x 1.5" O.D.	81	736-0105		Bell-Wash. 3/8" I.D. x .87" O.D.
31	750-0212		Spacer .758" I.D. x 1.25" O.D. x .530	82	736-0329		L-Wash. 1/4" I.D.*
32	750-0288		Spacer Tube	83	712-0318		Hex Jam Nut 5/8-18 Thd.
33	731-0335		Roller	84	736-0158		L-Wash. 5/8" I.D.*
34	738-0295		Roller Shaft	86	08253B		Bearing Housing
35	715-0246		Roll Pin 3/16 x 1.25"	87	741-0919		Ball Bearing
36	736-0119		L-Wash. 5/16" I.D.*	88	14199A		Deck Spindle Ass'y.
37	712-3057		Hex L-Nut 5/16-24 Thd.	89	738-0469B		Spindle
38	710-0180		Hex Self-Tap Scr. 3/8-24 x .75" Lg.	90	13703		Bearing Shield
39	736-0217		L-Wash. 3/8" I.D. H.D.	91	748-0283		Blade Adapter
40	710-0888		Hex Bolt 5/16-24 x 1" Lg.	92	750-0456		Spacer
41	742-0171B		Blade 17"	93	14088B		Spindle Spacer Plate
42	736-0119		L-Wash. 5/16" I.D.*	95	14249A		Spindle Reinforcement Plate
				96	15296A		Open Bearing Housing

* For faster service obtain standard nuts, bolts and washers locally. If these items cannot be obtained locally, order by part number and size as shown on parts list.

NOTE: Specifications subject to change without notice or obligation.

IMPORTANT: Use only Original Equipment Manufacturer (O.E.M.) V-belts when replacing belts. They are of special construction (type of cord, cord location, length, etc.). Use of V-belts other than O.E.M. belts generally will provide only temporary service.

For best results, use only factory approved parts.