

BOLENS

HUSKY
775
TRACTOR
MODELS
166-01 & 166-02

ILLUSTRATED PARTS CATALOG



BOLENS

PORT WASHINGTON, WISCONSIN, U.S.A.

PRINTED IN U.S.A.

FORM NO. P-551946 11-68

775 TRACTOR MODELS 166-01 & 166-02

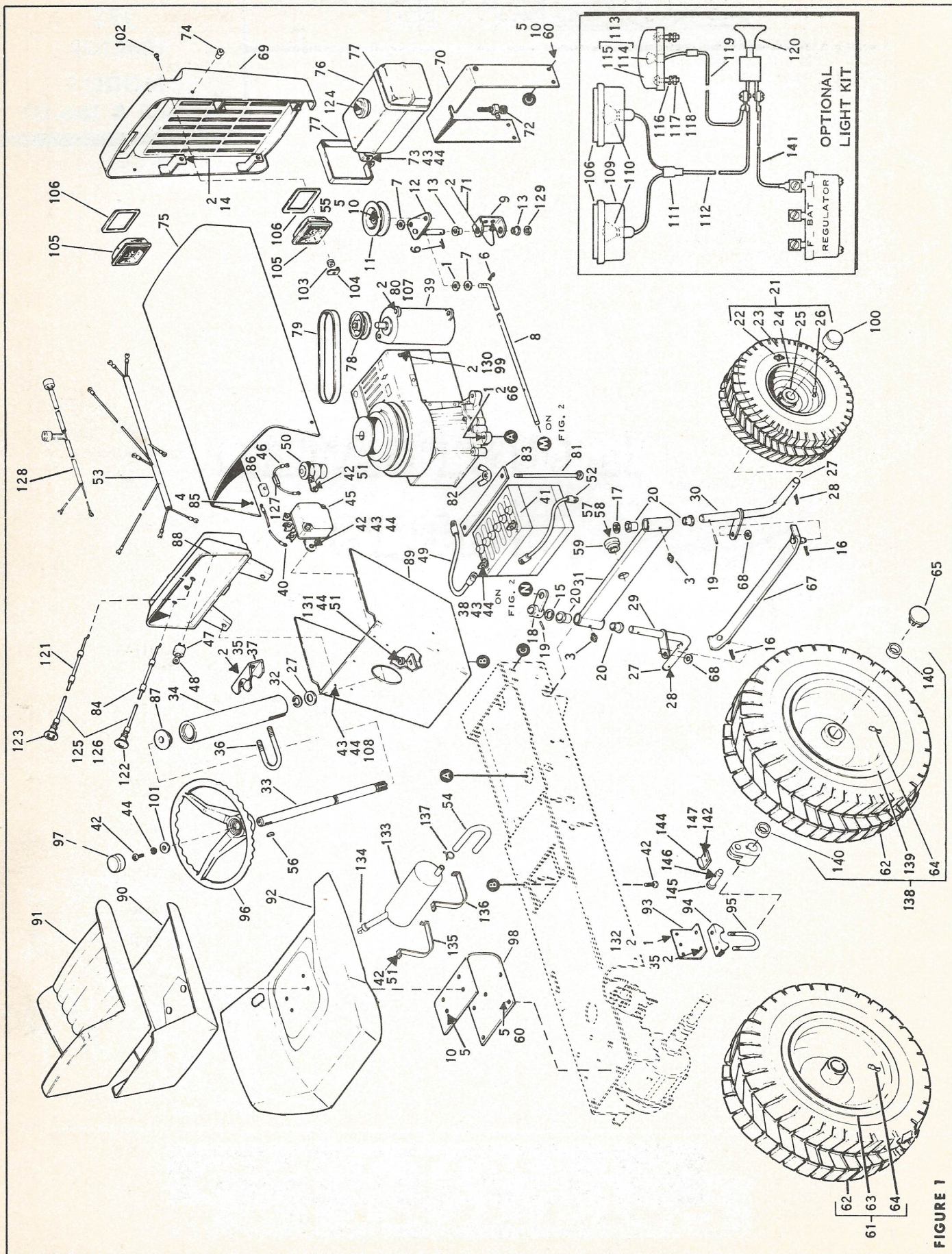


FIGURE 1

775 TRACTOR (See Figure 1) MODELS 166-01 & 166-02

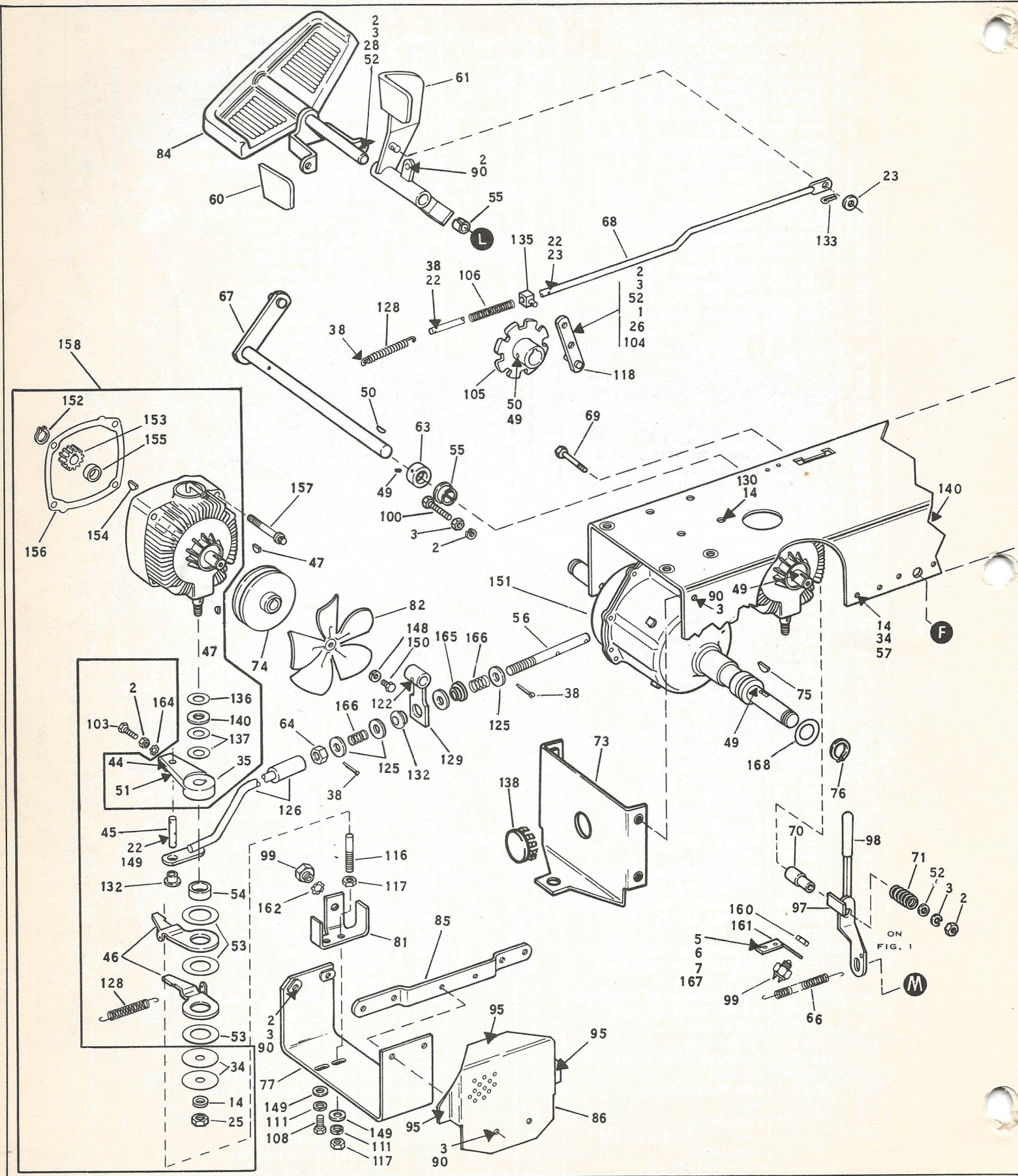
Ref. No.	Part No.	Description	No. Req'd
1	1182 563	Hex Nut 5/16-18	8
2	1100 242	Lockwasher 5/16	19
3	1104 954	Grease Fitting	2
4	1103 959	Flat Washer #10	2
5	1100 243	Lockwasher	18
6	1100 356	Cotter Pin 3/32 x 1	5
7	1107 383	Flat Washer 3/8	2
8	1720 123	PTO Rod	1
9	1720 115	PTO Support	1
10	1121 509	Hex Nut 3/8-16	14
11	1713 803	Idler Pulley	1
12	1719 927	PTO Arm	1
13	1715 716	Nylon Bushing	2
14	1106 874	Capscrew 5/16-18 x 3/4	6
15	1107 385	Flat Washer 1/2	3
16	1100 350	Cotter Pin 1/8 x 1	3
17	1718 120	Flat Washer R. H. Side	1
18	1719 933	Steering Arm	1
19	1185 348	Roll Pin 1/4 x 1-1/4	2
20	1185 386	Flanged Bearing	4
21	1721 390	Wheel & Tire Assy Frt. Inc Ref #22, 23, 24, 25, 26	2
22	1718 088	Grease Fitting	2
23	1717 594	Tire Tubeless 13 x 500-6	2
24	1721 393	Wheel (Includes Ref #25)	2
25	1720 327	Bushing	4
26	1718 086	Valve Stem	2
27	1700 821	Flat Washer 3/4	5
28	1185 096	Cotter Pin 3/16 x 1-1/4	2
29	1719 954	Spindle L. H.	1
30	1719 955	Spindle R. H.	1
31	1719 936	Front Axle	1
32	1185 649	Retaining Ring	1
33	1720 159	Steering Shaft	1
34	1720 125	Steering Column	1
35	1100 195	Hex Nut 5/16-24	6
36	1720 150	U-Bolt	1
37	1720 151	Saddle Clamp	1
38	1106 834	Capscrew 1/4-20 x 3/4	2
39	1720 470	Starter-Generator	1
40	1720 154	Lead (Solenoid to Gen)	1
41	1716 072	Battery 12 Volt 32 Amp.	1
42	1115 935	Phillips Screw 1/4-20 x 3/4	9
43	1121 507	Hex Nut 1/4	11
44	1100 241	Lock washer 1/4	16
45	1708 287	Regulator	1
46	1720 977	Lead Fuse Holder (Sol to Reg)	1
47	1717 255	Ignition Switch (Inc Ref 48)	1
48	1718 266	Ignition Key Only	1
49	1720 155	Lead (Sol to Batt)	1
50	1709 173	Solenoid	1
51	1185 456	Tinnerman Nut 1/4	10
52	1720 157	Lead (Batt to Ground)	1
53	1720 145	Wiring Assy	1
54	1720 946	Oil Tube	1
55	1106 930	Capscrew 3/8-16 x 1-3/4	1
56	1104 436	Woodruff Key 3/16 x 3/4	1
57	1100 065	Capscrew 1/2-13 x 1-3/4	1
58	1185 496	Jam Nut 1/2-13	1
59	1720 111	Axle Pivot	1
60	1106 915	Capscrew 3/8-16 x 7/8	9
61	1721 391	Wheel & Tire Assy Rear L. H. Only	1
62	1720 164	Tire Tubeless 20 x 8:00 x 10	2
63	1721 392	Wheel Only L. H. Only	1
64	1715 855	Valve Stem	2
65	1720 117	Button Plug	2
66	1100 799	Capscrew 5/16-18 x 1-1/2	4
67	1719 941	Tie Rod	1
68	1705 092	Flat Washer 5/8	2
69	1720 179	Grille	1
70	1720 176	Tank Mount	1
71	1106 872	Capscrew 5/16-18 x 5/8	2
72	1718 029	Tank Outlet	1
73	1185 027	Screw 1/4-20 x 2	2
74	1720 184	Flip Grommet	2
75	1721 554	Hood (Inc Decals)	1
76	1720 286	Fuel Tank (Inc Ref #124)	1

1721 599 Hydrostatic Fluid 1 qt.

Ref. No.	Part No.	Description	No. Req'd
77	1715 703	Tank Strap	2
78	1713 855	Generator Pulley	1
79	1713 533	V Belt-Gen	1
80	1110 107	Lock Nut 5/16	2
81	1111 260	Carriage Bolt 1/4-20 x 7	2
82	1709 652	Wing Nut 1/4	2
83	1714 619	Battery Clamp	1
84	1720 121	Speed Control Assy (Inc Ref #122)	1
85	1185 555	Self Threading Screw	2
86	1720 146	Block	2
87	1720 134	Nylon Bearing	1
88	1719 982	Instrument Panel	1
89	1721 195	Rear Panel	1
90	1717 351	Seat Pan	1
91	1717 354	Seat Pad	1
92	1720 536	Fender	1
93	1720 116	Axle Support	2
94	1719 694	Saddle Clamp	2
95	1719 695	U-Bolt	2
96	1720 192	Steering Wheel	1
97	1720 193	Steering Wheel Cap	1
98	1720 124	Seat Support	1
99	1100 255	Flat Washer 5/16	1
100	1714 213	Cap	2
101	1716 233	Flat Washer 1/4	1
102	1185 680	Screw 10-32	4
103	1109 845	Hex Nut 10-32	4
104	1720 219	Hold Down Clip	4
105	1720 220	Lens	2
106	1720 223	Gasket	2
107	1100 779	Capscrew 5/16-18 x 1-3/4	2
108	1107 381	Flat Washer 1/4	AR
109	1720 221	Reflector Assy Inc #110	2
110	**	Bulb (Mfg No. 1195)	2
111	1720 226	Connector	1
112	1720 224	Lead Wire	1
113	1717 597	Taillight Assy Inc #114, 115	1
114	**	Bulb (Mfg No. 1889)	2
115	1718 234	Lens Only	1
116	1100 240	Washer #10	6
117	1109 845	Hex Nut #10-32	2
118	1114 755	Screw #10-32 x 5/8	2
119	1720 457	Lead Wire and Plate	1
120	1717 256	Light Switch	1
121	1720 751	Choke Control Assy (Inc 123)	1
122	1720 725	Knob and Wire Only (Speed Control)	1
123	1720 724	Knob and Wire Only (Choke)	1
124	1718 756	Cap Only	1
125	1100 197	Jam Nut 3/8-24	2
126	1100 243	Lock Washer 3/8	2
127	1720 976	Fuse	1
128	1721 177	Lead (Switch to Interlock)	1
129	1890 234	Flat Washer 1/2	1
130	1103 195	Screw 5/16-18 x 5/8 HT	1
131	1100 805	Capscrew 1/4-20 x 3/4 HT	4
132	1106 876	Capscrew 5/16-18 x 7/8	4
133	1720 774	Oil Tank	1
134	1720 458	Dipstick	1
135	1720 401	Center Strap	1
136	1720 402	Strap	1
137	1185 820	Hose Clamp	1
138	1721 264	Wheel & Tire Assy Free Wheeling R.H. (Inc. Ref #62 - 64 - 139 - 140)	1
139	1721 263	Wheel Only (Free Wheel)	1
140	1185 851	Bronze Brg.	2
141	1720 225	Lead (Light Switch to REG)	1
142	1100 240	Lockwasher #10	2
143	1721 262	Drive Collar	1
144	1720 980	Stop	1
145	1720 983	Clevis Pin	1
146	1703 011	Cotter Spring	1
147	1100 115	Screw 10-24 x 1/2	2

** Not Stocked. Purchase from your Local
Automotive or Electrical Supplier.

775 TRACTOR MODELS 166-01 & 166-02



**775 TRACTOR (See Figure 2)
MODELS 166-01 & 166-02**

Ref. No.	Part No.	Description	No. Req'd
1	1106 880	Capscrew 5/16-18 x 1-1/8	8
2	1182 563	Hex Nut 5/16-18	9
3	1100 242	Lockwasher 5/16	27
4	1104 954	Grease Fitting	1
5	1100 115	Screw, Rd Hd 10-24 x 1/2	7
6	1103 959	Flat Washer #10	8
7	1100 240	Lockwasher #10	10
8	1719 947	PTO Shaft	1
9	1185 266	Seal	1
10	1187 181	Needle Bearing	1
11	1720 169	PTO Sheave	1
12	1120 502	Ball Bearing	2
13	1111 709	Capscrew 3/8-24 x 7/8	1
14	1100 243	Lockwasher	22
15	1893 445	Flat Washer 3/8	2
16	1720 677	Shaft	1
17	1720 660	Sheave (Drive)	1
18	1185 220	Roll Pin 3/16 x 1-1/2	2
19	1185 224	Seal	1
20	1185 010	Needle Bearing	1
21	1719 331	Bolt, Special	1
22	1100 356	Cotter Pin 3/32 x 1	6
23	1107 383	Flat Washer 3/8	15
24	1720 678	Shaft	1
25	1121 509	Hex Nut 3/8-16	13
26	1715 716	Nylon Bushing	3
27	1719 951	Idler Support	1
28	1106 874	Capscrew 5/16-18 x 3/4	6
29	1720 152	Spring Mount	1
30	1700 401	Extension Spring	1
31	1720 149	Wear Link	1
32	1710 902	Extension Spring	1
33	1713 803	Idler Pulley	2
34	1711 017	Flat Washer 3/8	2
35	1721 173	Control Arm	1
36	1106 934	Capscrew 3/8-16 x 2-1/4	1
37	1720 675	Clutch Idler Arm	1
38	1100 350	Cotter Pin 1/8 x 1	5
39	1720 127	Drag Link	1
40	1700 821	Flat Washer 3/4	3
41	1185 649	Retaining Ring	2
42	1185 035	Flange Bearing	3
43	1719 944	Steering Gear	1
44	1185 340	Roll Pin 1/8 x 7/8	2
45	1720 641	Pin	1
46	1720 523	Neutralizer Arm	2
47	1708 465	Woodruff Key 1/8 x 1/2	2
48	1106 930	Capscrew 3/8-16 x 1-3/4	2
49	1182 554	Set Screw 5/16-18 x 5/16	11
50	1104 436	Woodruff Key 3/16 x 3/4	2
51	1720 699	Cushion Block	1
52	1100 255	Flat Washer 5/16	4
53	1720 361	Thrust Washer	3
54	1720 706	Bearing	1
55	1714 299	Nyliner	6
*56	1721 484	Control Rod (See Note)	1
57	1106 915	Capscrew 3/8-16 x 7/8	6
58	1720 669	Belt Guide	1
59	1720 726	V-Belt 33" (Engine Drive)	2
60	1721 419	Pedal Pad	1

Ref. No.	Part No.	Description	No. Req'd
61	1720 663	Clutch Pedal	1
62	1721 176	Nyliner	1
63	1705 280	Set Collar	1
64	1103 926	Jam Nut 1/2 x 20	2
65	1713 361	Ball Joint	1
66	1703 615	Extension Spring PTO	1
67	1720 141	Lift Shaft	1
68	1720 644	Brake Link	1
69	1106 893	Capscrew 5/16-18 x 2-1/2	1
70	1720 153	Spacer	1
71	1712 569	Compression Spring	1
72	1720 727	V-Belt 46-1/2 (Differential Drive)	1
73	1720 101	Hitch	1
74	1720 658	Sheave (Trans.)	1
75	1720 719	Woodruff Key 1/4 x 7/8	2
76	1118 554	Retaining Ring	2
77	1721 192	Stop Support	1
78	1106 930	Capscrew 3/8-16 x 1-3/4	1
79	1720 114	Spacer	1
80	1720 144	Lift Lever	1
81	1720 642	Stop Bracket	1
82	1720 684	Fan	1
83	1720 681	Foot Control	1
84	1721 083	Foot Rest R. H.	1
85	1720 670	Frame Brace	1
86	1720 749	Fan Guard	1
87	1720 662	Sheave-Engine	1
88	1100 799	Capscrew 5/16-18 x 1-1/2	1
89	1721 156	Nyliner	1
90	1106 876	Capscrew 5/16-18 x 7/8	5
91	1714 644	Tool Lift Plunger	1
92	1715 575	Tool Lift Grip	1
93	1713 075	Compression Spring	1
94	1720 133	Lift Lever Rod	1
95	1185 750	Selftap Screw 10-24 x 1/2	3
96	1720 136	Lift Quadrant	1
97	1721 033	PTO Lever	1
98	1715 685	Hand Grip	2
99	1720 963	Interlock Switch	2
100	1106 882	Capscrew 5/16-18 x 1-1/4	1
101	1720 126	Idler Arm	1
102	1705 944	Extension Spring	1
103	1721 193	Capscrew (Spec.)	1
104	1720 650	Spacer	1
105	1720 647	Park Disc	1
106	1711 395	Compression Spring	1
107	1721 027	Clutch Arm	1
108	1107 211	Capscrew 7/16-20 x 3/4	1
109	1107 213	Capscrew 7/16-20 x 1	1
110	1100 265	Flat Washer 7/16	1
111	1100 244	Lockwasher 7/16	3
112	1187 474	Square Key 1/4 x 2-1/4	1
113	1720 682	Frame	1
114	1720 195	Support	1
115	1105 029	Elbow 90° 3/8 NPT	1
116	1720 964	Stud 7/16-20	1
117	1121 710	Jam Nut 7/16 x 20	2
118	1720 653	Disc Arm	1
119	1719 730	Bracket Front	2

**775 TRACTOR (See Figure 2)
MODELS 166-01 & 166-02**

Ref. No.	Part No.	Description	No. Req'd
120	1106 923	Capscrew 3/8-16 x 1-1/4	2
121	1720 539	Pulley Guard	1
122	1120 210	Roll Pin 3/16 x 1	2
123	1106 919	Hex Hd Screw 3/8-16 x 1	8
124	1720 161	Steering Support	1
125	1107 385	Flat Washer 1/2	4
126	1720 993	Control Arm	1
127	1706 427	Spacer	1
128	1720 928	Ext. Spring	2
*129	1721 486	Control Link (See Note)	1
130	1106 913	Capscrew 3/8-16 x 5/8	1
131	1110 152	Locknut 1/2-20	1
132	1721 030	Flip Grommet	2
133	1717 897	Spring Cotter	1
134	1110 086	Grease Fitting 45°	1
135	1714 663	Swivel	1
136	1721 496	Shim	AR
137	1701 411	Bow Washer	1
138	1713 267	Button Plug	1
139	1105 678	Plug 3/8	1
140	1712 763	Thrust Washer	1
141	1720 680	Lock Handle	1
142	1714 243	Nyliner	2
143	1701 495	Ext. Spring	1
144	1185 378	Capscrew 1/4-20 x 1-1/4	1
145	1720 671	Lock Arm	1
146	1185 348	Roll Pin 1/4 x 1-1/4	1

Ref. No.	Part No.	Description	No. Req'd
147	1721 343	Bracket Rear	2
148	1100 241	Lockwasher	1
149	1890 948	Flat Washer 7/16	4
150	1106 830	Capscrew 1/4-20 x 1/2	1
151		Transaxle Assy Only (See Fig. 3)	1
152	1118 809	Retaining Ring	1
153	1720 747	Drive Gear	1
154	1708 465	Woodruff Key	1
155	1720 748	Spacer	1
156	1720 720	Gasket	1
157	1185 852	Capscrew 3/8-16 x 3	4
158	1720 746	Hydrostatic PKG (Inc. Ref No. 35-45-44-154-156-152-153-155-136-137-140-34-14-25)	1
159	1720 656	Jackshaft Link	1
160	1721 070	Pal Nut 9/16-18	1
161	1721 029	Interlock Mount Spring	1
162	1185 844	Shakeproof Washer 9/16	1
163	1118 157	Screw #10-24 x 3/8	3
164	1103 994	Shakeproof Washer 5/16	1
165	1721 487	Flip Grommet	1
166	1721 492	Compression Spring	2
167	1109 766	Hex Nut #10-24	2
168	1701 449	Washer (Spec.)	1

*Note - MOD 166-01 - Replace both Ref No. 56 and Ref 129 when, replacing either part.

PEERLESS TRANSAXLE MODEL 1301 (See Figure 3)

Ref. No.	Tecumseh Part No.	Description
1	778014	Pinion, Bevel
2	778039	Gear, Bevel
3	786019	Pin, Drive
4	786027	Block, Drive
5	774028	Carrier, Differential
6	774029	Carrier, Differential
7	778033	Gear, Ring
8	774146	Axle, L. H.
9	774145	Axle, R. H.
10	780039	Bearing, Thrust
11	780042	Washer, Thrust
12	792018	Ring, Snap
13	792020	Screw, 1/4-20 x 2-1/4 Hex hd. cap
14	792006	Lockwasher, 1/4"
15	770052	Case Assy. (Incl. Nos. 16 & 17)
16	780013	Bearing, Needle
17	780088	Bearing, Needle
18	772063	Cover Assy. (Incl. Nos. 16 & 19)
19	780089	Bearing, Needle

Ref. No.	Tecumseh Part No.	Description
20	782022A	Housing & Bushing Assy., L. H. (Incl. No. 21)
21	780054	Bushing
22	782023A	Housing & Bushing Assy., R. H. (Incl. No. 21)
23	776093	Shaft, Brake
24	788044	Gasket, Case to cover
25	778036	Gear, Output
26	778037	Gear, Idler
27	778041	Shaft, Output
28	786017	Spacer
29	780001	Washer
30	780090	Washer
31	788008	Seal, Oil
32	786026	Pin, Dowel
33	792052	Screw, 1/4-20 x 1 Hex hd. self tapping
34	792010	Plug, Pipe

These parts not stocked by Bolens. Order from your local Tecumseh Products Co, Lauson-Power Products parts outlet.

PEERLESS TRANSAXLE MODEL 1301

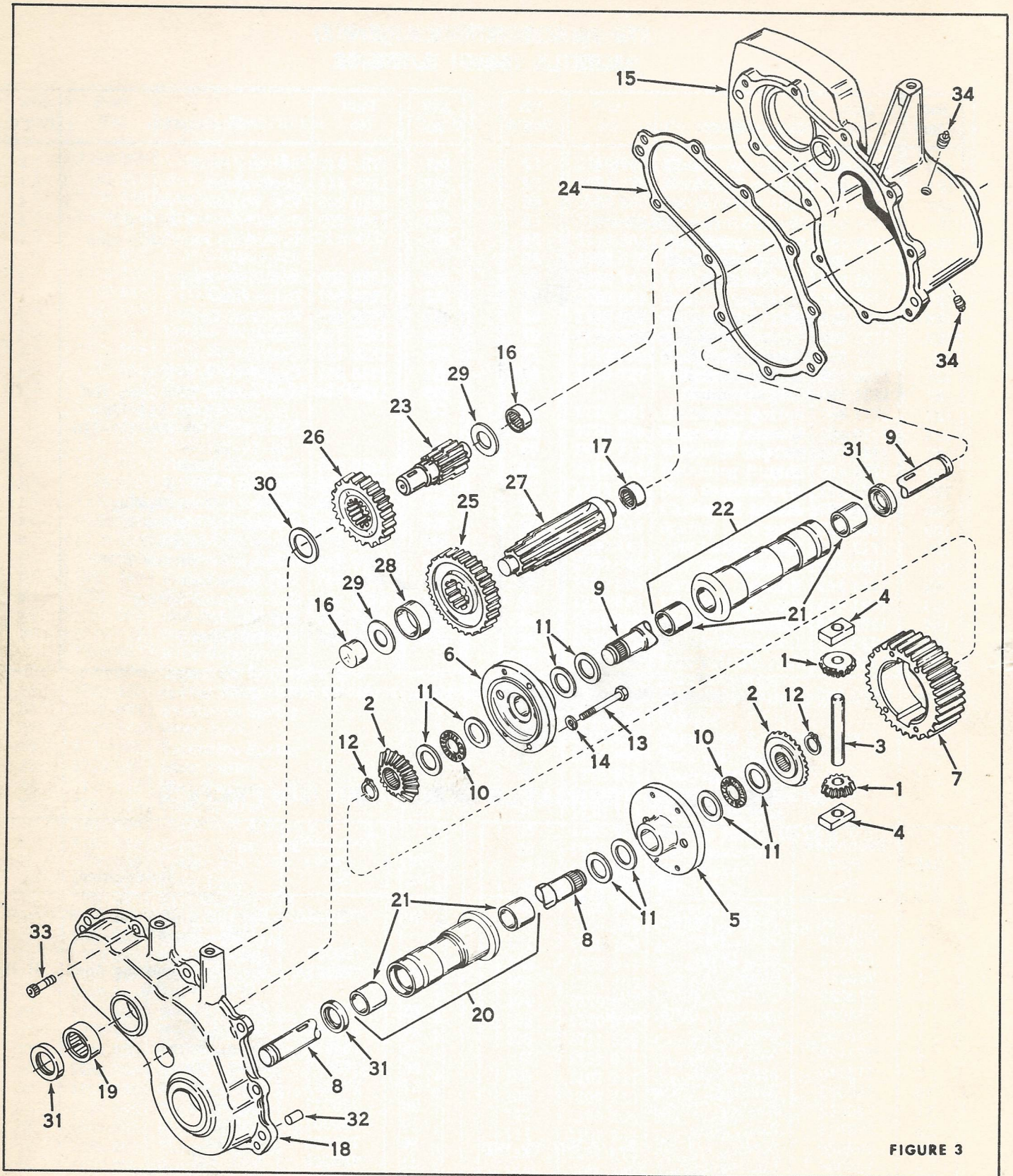


FIGURE 3



BOLENS

PORT WASHINGTON, WISCONSIN, U.S.A.