

---

# ***Bolens***<sup>®</sup>

## **Snow Thrower**

### **Models 524**

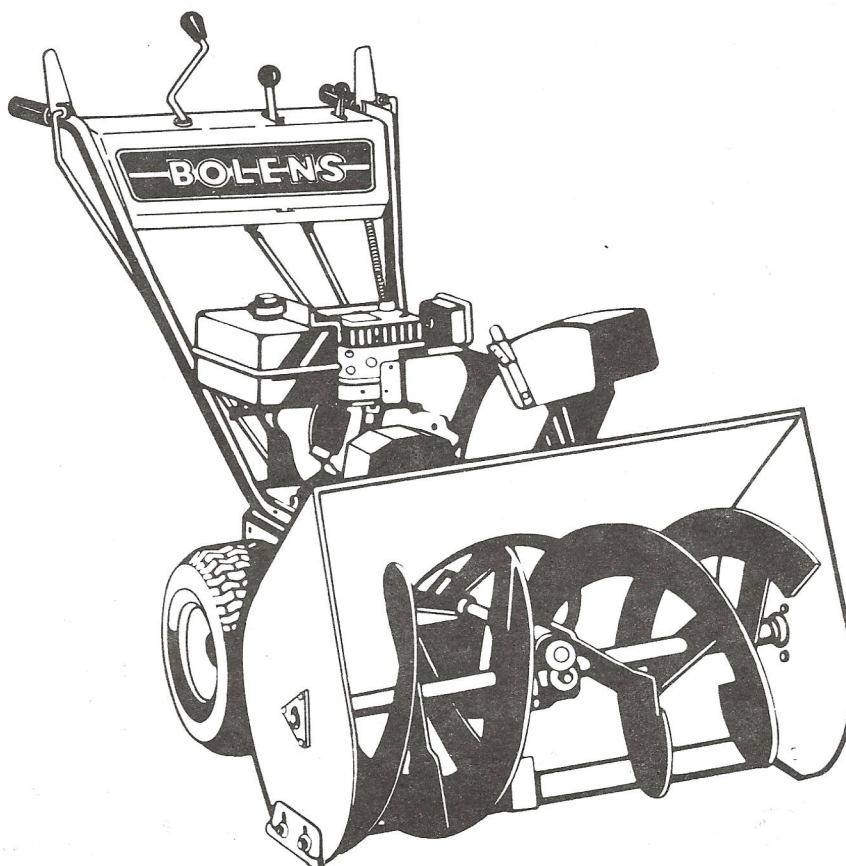
Serial Number  
0900101 thru  
1099999

### **724**

Serial Number  
0400101 thru  
0499999

### **824**

Serial Number  
0100101 thru  
0399999



## **Parts List**

# 24 INCH SNOW THROWER

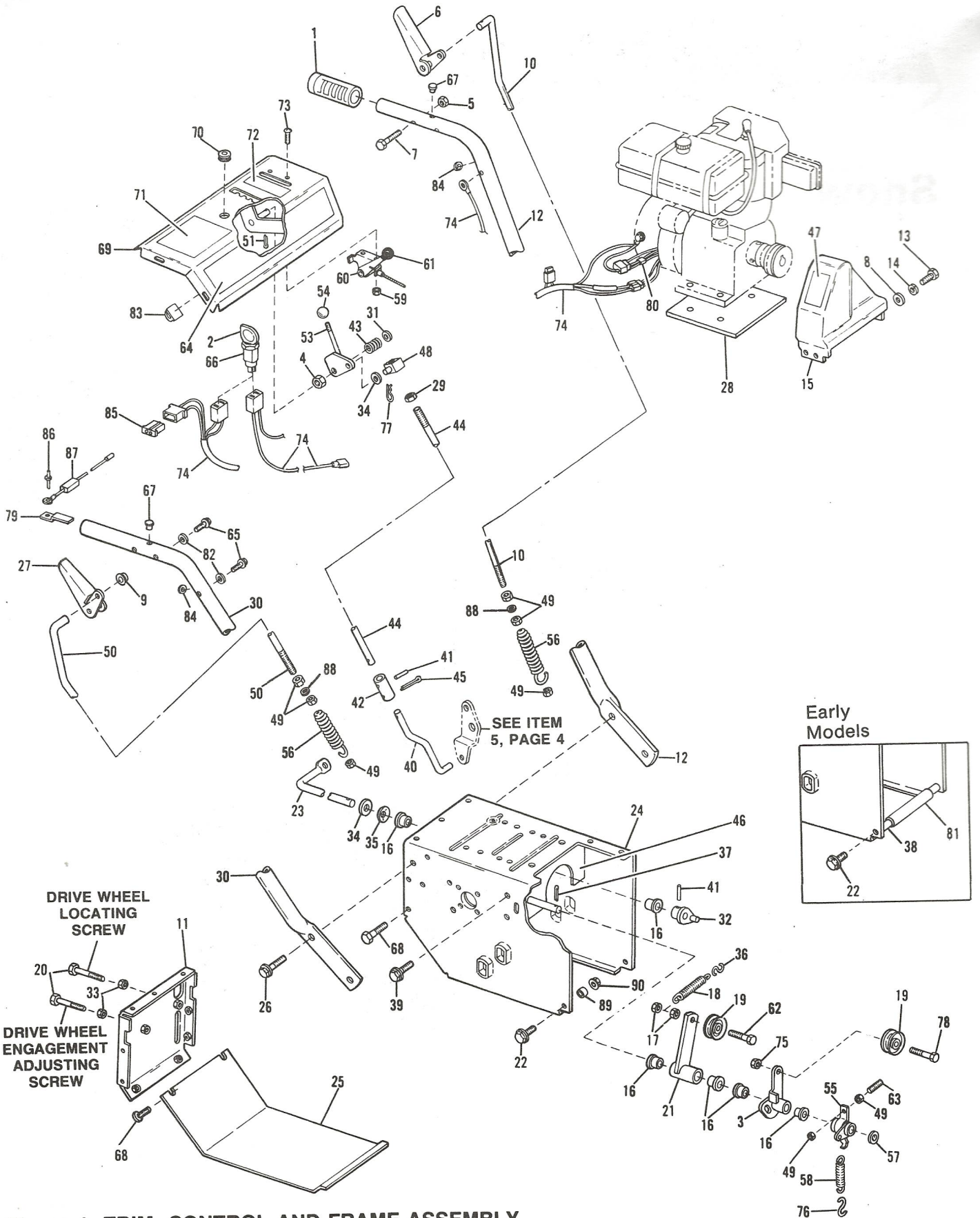


Figure 1. TRIM, CONTROL AND FRAME ASSEMBLY

**MODELS 524, 724 & 824**

REF. NO.	PART NO.	DESCRIPTION	NO. REQ'D	REF. NO.	PART NO.	DESCRIPTION	NO. REQ'D
1	1744471	Handle Grip .....	2	50	1740027	Auger Control Rod .....	1
2	1727326	Key Only .....	1	51	• 1100349	Cotter Pin, 1/8 x 3/4 .....	1
3	1739937	Idler Arm .....	1	52	1735531	Tie Cable .....	4
4	• 1186213	Nut, 7/16-20 .....	1	53	1739715	Control Lever .....	1
5	• 1734398	Hex Lock Nut, 1/4-20 .....	4	54	1715817	Knob .....	1
6	1745672	L.H. Control Handle .....	1	55	1739941	Brake Arm Assembly .....	1
7	• 1111601	Hex Head Capscrew, 1/4-20 x 1-3/4 .....	2	56	1739745	Extension Spring .....	2
8	• 1107382	Flat Washer, 5/16 .....	4	57	• 1107385	Flat Washer 1/2" .....	1
9	1728072	Push Nut .....	2	58	1740990	Extension Spring .....	1
10	1739734	Clutch Control Rod .....	1	59	• 1185985	External Lockwasher Nut, No. 10 .....	2
11	1739757	Back Plate .....	1	60	1741648	Throttle Control (Incl. Ref. 61) (724-824) .....	1
12	1745478	Left Hand Handle (1) .....	1		1730430	Throttle Control (Incl. Ref. 61) (524) .....	1
	1749169	Left Hand Handle (2), (3) .....	1	61	1724527	Control Knob .....	1
13	• 1100044	Hex Head Capscrew 5/16-18 x 3/4 .....	4	62	• 1100086	Hex Screw, 3/8-16 x 1-3/4 .....	1
14	• 1100242	Lockwasher, 5/16 .....	4	63	1741847	Socket Head Screw, 1/4-20 x 1-1/4 .....	1
15	1740030	Belt Guard .....	1	64	1736361	Decal (Logo) (1) .....	1
16	1715716	Bushing .....	6		1748619	Decal (Logo) (2) (3) .....	1
17	1185506	Self Locking Jam Nut, 3/8-16 .....	2	65	• 1740800	Flange Lock Screw, 1/4-20 x 5/8 .....	4
18	1740011	Extension Spring .....	1	66	1727321	Ignition Switch (Incl. Ref. 2) .....	1
19	1729440	Idler .....	2	67	1747213	Wear Button(1) (2) (3) .....	2
20	• 1186334	Hex Head Capscrew, 5/16-18 x 1-3/4 .....	2	68	1724491	Thd. Form Screw 5/16-18 x 3/4 ... ..	9
21	1739935	Idler Arm .....	1	69	1745472	Console Assembly .....	1
22	• 1186329	Flange Hd. Capscrew, 5/16-18 x 3/4 .....	2	70	1185585	Flip Grommet .....	1
23	1739942	Control Arm .....	1	71	1740559	Decal Instructions .....	1
24	1745852	Frame (824) .....	1	72	1740558	Decal Throttle Control .....	1
	1745850	Frame (524-624-724) .....	1	73	• 1115815	Round Head Phillips Screw, No. 10-24 x 5/8 .....	2
25	1739838	Bottom Cover .....	1	74	1740404	Lead (524) (1) (2) (824) .....	1
26	• 1186345	Flange Screw, 3/8-16 x 3/4 .....	4		1748837	Lead (824) (2) (3) .....	1
27	1745673	R.H. Control Handle .....	1	75	• 1733398	Lock Nut, 3/8-16 .....	1
28	1741734	Engine Mounting Plate .....	1	76	1742250	Hook .....	1
29	• 1186231	Hex Nut, 3/8-16 .....	1	77	1703011	Spring Clip .....	1
30	1745477	Right Hand Handle (1) .....	1	78	• 1100047	Hex Screw, 3/8-16 x 1-1/2 .....	1
	1749170	Right Hand Handle (2), (3) .....	2	79	1746516	Clamp (824) (2) (3) .....	2
31	• 1107383	Flat Washer, 3/8 .....	1	80	1721038	Connector (824) (2) (3) .....	1
32	1739932	Control Arm .....	1	81	1746607	Tube (1) (2) .....	1
33	• 1186258	Hex Nut, 5/16-18 .....	2	82	• 1107381	Flat Washer, 1/4 .....	4
34	1890234	Flat Washer, 1/2 .....	2	83	1749171	Cord Clip (824)(2) (3) .....	1
35	1706782	Bowed Washer .....	1	84	1748835	Bushing (824) (2) (3) .....	2
36	1740989	Hook .....	1	85	1748836	Connector Body (2) (3) (824) .....	1
37	• 1100356	Cotter Pin, 3/32 x 1 .....	1	86	1186424	Pop Rivet 1/8 (2) (3) (824) .....	2
38	1739756	Cross Member (1) (2) .....	1	87	1746515	Resistor Assembly (2) (3) (824) .....	2
39	• 1186328	Flange Screw, 5/16-18 x 5/8 .....	6	88	• 1100241	Lock Washer, 1/4 (3) .....	2
40	1739726	Control Rod .....	1	89	1721790	Spacer (3) .....	2
41	1743493	Drive Pin, 1/8 x 3/4 .....	2	90	• 1186391	Flange Nut 5/16-18 (3) .....	2
42	1721782	Coupling .....	1				
43	1713167	Compression Spring .....	1				
44	1741447	Speed Control Rod .....	1				
45	• 1100350	Cotter Pin, 1/8 x 1 .....	1				
46	1740442	Support Assembly .....	1				
47	1736379	Decal (524) .....	1				
	1736380	Decal (724) .....	1				
	1746130	Decal (824) .....	1				
48	1727053	Swivel Block .....	1				
49	• 1186229	Hex Nut, 1/4-20 .....	9				

• Common Hardware - purchase locally (Grade 5 where applicable)

- (1) 524 S/N 0900101 thru 0999999  
724 S/N 0400101 thru 0499999  
824 S/N 0100101 thru 0199999
- (2) 524 S/N 1000101 thru 1099999  
824 S/N 0200101 thru 0299999
- (3) 824 S/N 0300101 thru 0399999

# 24 INCH SNOW THROWER

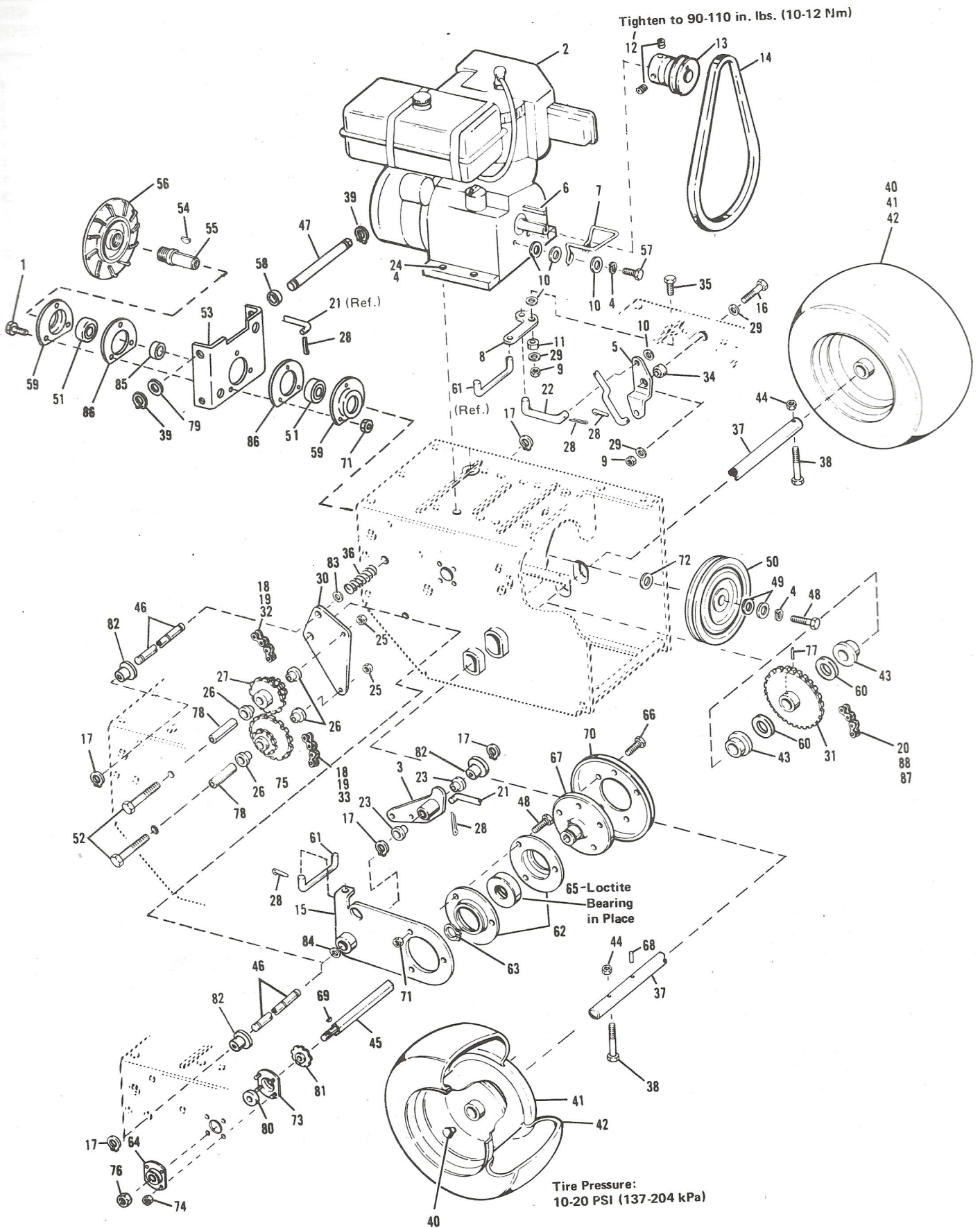


Figure 2 ENGINE AND DRIVE ASSEMBLY

**MODELS 524, 724 & 824**

REF. NO.	PART NO.	DESCRIPTION	NO. REQ'D
1	• 1100045	Hex Screw 5/16-18 x 1	3
2	*	Tecumseh Engine HSSK50	
		67073D (524) (1)	1
	*	Tecumseh Engine HSSK50	
		67250E (524) (2)	1
	*	Tecumseh Engine HMSK70	
		130165F (724)	1
	*	Tecumseh Engine HMSK80	
		155022G (824) (1)	1
	*	Tecumseh Engine HMSK80	
		155282K (824) (2) (3)	1
3	1745485	Arm Assembly	1
4	• 1100242	Lockwasher, 5/16	11
5	1745441	Control Arm	1
6	1187474	Key, 1/4 Square x 1-1/4	1
7	1735911	Belt Guide (1)	1
	1749177	Belt Guide (2) (3)	1
8	1745438	Control Arm	1
9	1733398	Lock Nut, 3/8-16	2
10	• 1107382	Flat Washer, 5/16	8
11	1745419	Pivot	1
12	1741846	Set Screw, 5/16-18 x 1/2	2
13	1726780	Engine Sheave (1)	1
	1749174	Engine Sheave (2) (3)	1
14	1739943	V-Belt 32"	1
15	1745483	Support Plate	1
16	• 1100047	Capscrew, 3/8-16 x 1-1/2	1
17	1118808	Retaining Ring	5
18	0182087	Offset Link (Half Link)	1
19	1185013	Conn. Link, No. 41 Chain	3
20	1739455	Drive Chain, 1/2 Pitch, ASA No. 40 (524)	1
	1739454	Drive Chain, 1/2 Pitch, ASA No. 40 (724-824)	1
21	1745437	Control Link	1
22	1745435	Control Link	1
23	1714299	Flange Bushing	2
24	• 1100799	Hex Screw 5/16-18 x 1-1/2 (524-824)	4
	• 1100044	Hex Screw 5/16-18 x 3/4 (724)	4
25	• 1186393	Flange Lock Nut, 3/8-16	2
26	1739458	Flange Bearing	4
27	1745498	Sprocket Assembly 9T/17T	1
28	• 1100346	Cotter Pin, 3/32 x 3/4	9
29	• 1100256	Flat Washer, 3/8	3
30	1739497	Support Plate	1
31	1739468	Sprocket 30T (524)	1
	1741479	Sprocket 30T (724-824)	1
32	1745879	Drive Chain ASA No. 41	1
33	1745880	Drive Chain ASA No. 41	1
34	1739728	Pivot	1
35	• 1100046	Hex Screw, 3/8-16 x 1	1
36	1741647	Compression Spring	1
37	1739469	Axle Shaft (524)	1
	1741480	Axle Shaft (724-824)	1
38	• 1743680	Hex Screw, 1/4-20 x 1-3/4	2
39	1118804	Retaining Ring	2
40	1718086	Valve Stem	2
41	1739788	Wheel Disc (524)	1
	1739803	Wheel Disc (724-824)	1
42	1725299	Tire 4.10/3.50 x 6 (524)	2
	1727902	Tire 4.80/4.00 x 8 (724-824)	2

REF. NO.	PART NO.	DESCRIPTION	NO. REQ'D
43	1739470	Flange Bearing (524)	2
	1739471	Flange Bearing (724-824)	2
44	• 1734398	Lock Nut, 1/4-20	2
45	1739457	Shaft	1
46	1745860	Shaft Support	2
47	1739462	Support Shaft	1
48	• 1100044	Capscrew, 5/16-18 x 3/4	7
49	1713233	Washer, Flat Special	2
50	1745488	Sheave	1
51	1743433	Ball Bearing	2
52	• 1111615	Capscrew, 3/8-16 x 3-1/2	2
53	1745486	Drive Disc Support	1
54	1185885	Woodruff Key, 3/16 x 5/8	1
55	1745535	Spindle	1
56	1720918	Drive Plate	1
57	• 1100005	Hex Screw, 5/16-24 x 1	2
58	1739461	Spacer	1
59	1739488	Bearing Retainer	2
60	1739463	Flat Washer (524-624)	2
	1740002	Flat Washer (724-824)	4
61	1745436	Connecting Link	1
62	1739485	Retainer Bearing	2
63	1736561	Snap Ring	1
64	1720811	Flange Bearing	1
65	1741733	Thrust Bearing	1
66	• 1186327	Screw, 5/16-18 x 1/2	5
67	1739490	Friction Disc Hub	1
68	1185376	Drive Pin, 3/16 x 1-1/2	1
69	1104435	Woodruff Key	1
70	1720859	Molded Friction Disc	1
71	• 1732499	Lock Nut, 5/16-18	6
72	1709224	Special Washer	1
73	1720810	Flange Bearing Assembly	1
74	• 1737938	Lock Nut, No. 10-24	4
75	1745496	Sprocket Ass'y (524) 11T/30T	1
	1745497	Sprocket Ass'y (724-824) 9T/30T	1
76	• 1185496	Jam Nut, No. 1/2-13	1
77	1739464	Drive pin, 3/16 x 1 (524)	1
	1742249	Drive Pin, 3/16 x 1 (724-824)	1
78	1739476	Spacer	1
79	1890234	Flat Washer, 1/2	3
80	1185808	Ball Bearing	1
81	1745495	Sprocket, 9T	1
82	1714233	Nylon Bushing	4
83	1705093	Flat Washer	1
84	• 1107386	Flat Washer, 5/8	1
85	1745489	Spacer	1
86	1745490	Bearing Retainer	2
87	1185026	Conn. Link No. 40	1
88	1120213	Offset Link (Half Link)	1

- (1) 524 S/N 0900101 thru 0999999  
724 S/N 0400101 thru 0499999  
824 S/N 0100101 thru 0199999
- (2) 524 S/N 1000101 thru 1099999  
824 S/N 0200101 thru 0299999
- (3) 624 S/N 0100101 thru 0199999  
824 S/N 0300101 thru 0399999

• Common Hardware - purchase locally (Grade 5 where applicable)

24 INCH SNOW THROWER

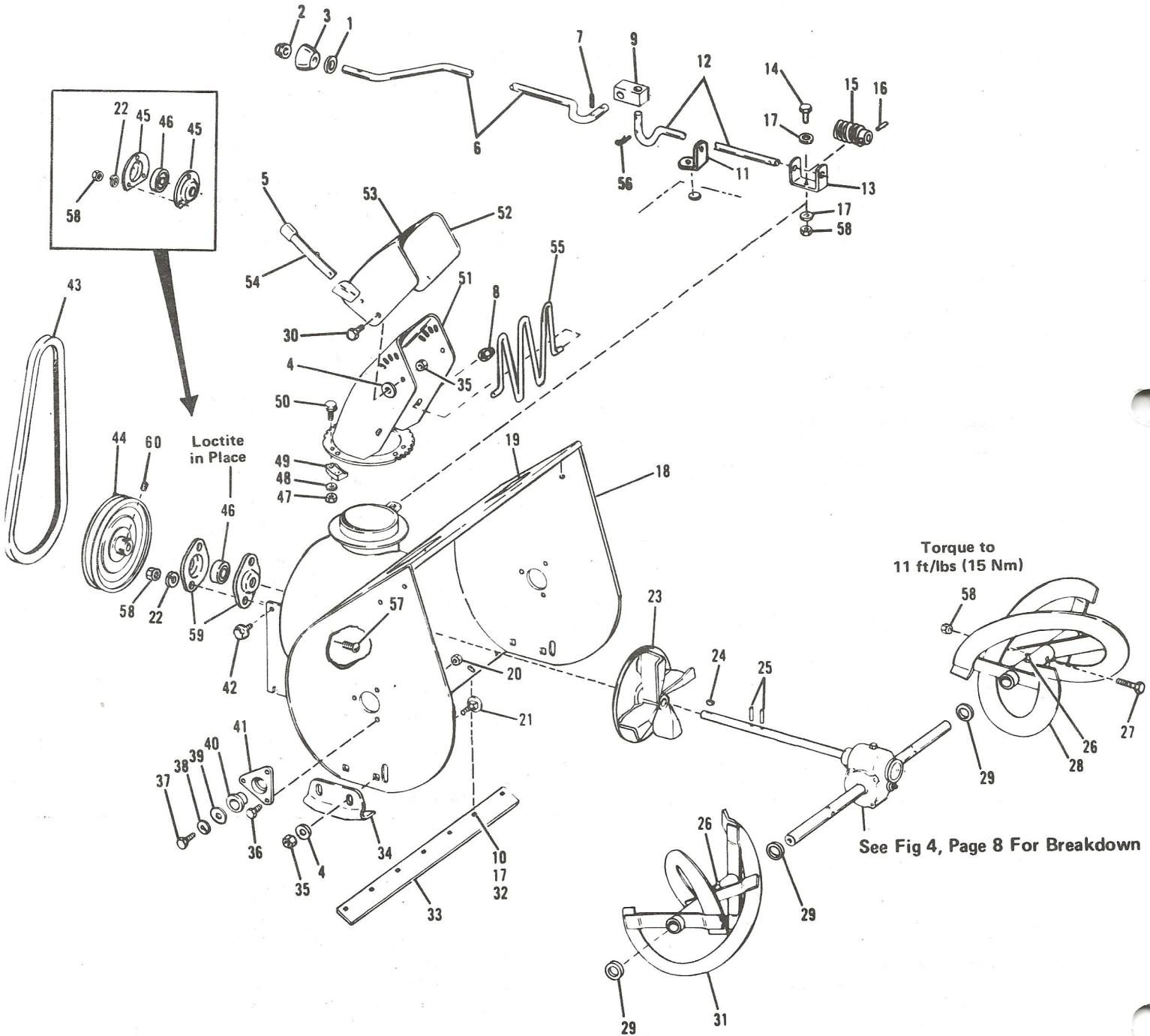


Figure 3 BLOWER HOUSING ASSEMBLY

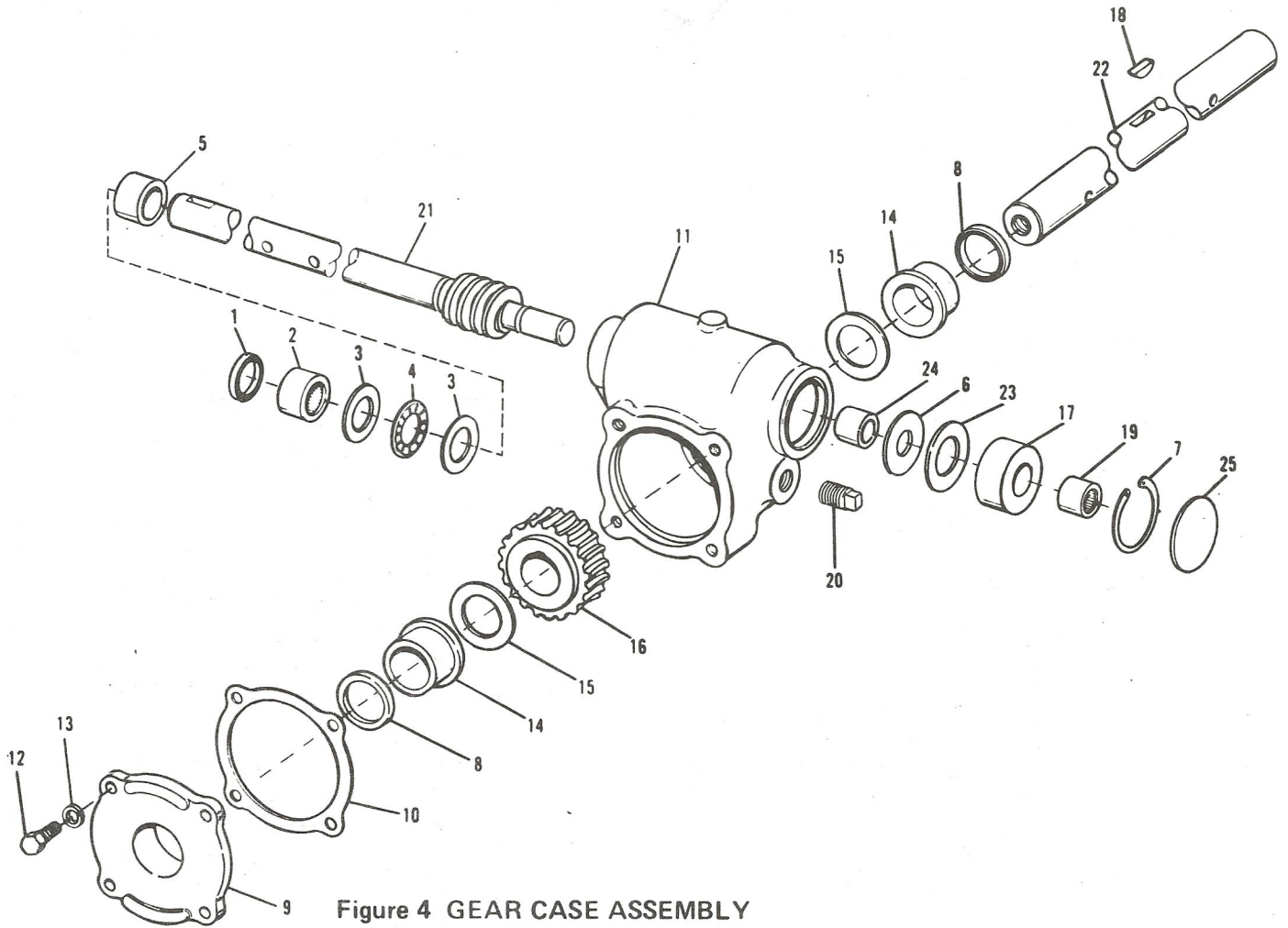
**MODELS 524, 724 & 824**

REF. NO.	PART NO.	DESCRIPTION	NO. REQ'D
1	1890945	Flat Washer, 3/8 .....	1
2	1710146	Cap, Push On .....	1
3	1735868	Knob .....	1
4 •	1107383	Flat Washer, 3/8 .....	6
5	1730214	Grip .....	1
6	1736691	Chute Control Crank.....	1
7	1177625	Roll Pin, 1/8 x 3/4.....	2
8	1186048	Push Nut .....	2
9	1714782	Swivel Block .....	1
10 •	1110107	Lock Nut, 5/16-18.....	5
11	1745417	Crank Support.....	1
12	1739795	Chute Control Shaft .....	1
13	1735869	Gear Support.....	1
14 •	1100044	Hex Head Capscrew, 5/16-18 x 3/4 .....	1
15	1724870	Worm, 6 Thread, L.H. ....	1
16	1724885	Drive Pin, 3/32 x 3/4 .....	1
17 •	1107382	Flat Washer, 5/16 .....	7
18	1745815	Housing (1) .....	1
	1751087	Housing w/Decal (2) (Incl. Ref. 19) .....	1
19	1735925	Decal (Warning) (1) .....	1
	1750691	Decal (Warning) (2) .....	1
20	1734398	Lock Nut, 1/4-20.....	6
21 •	1186126	Carriage Bolt, 3/8-16 x 3/4....	4
22 •	1100242	Lock Washer 5/16.....	3
23	1745799	Fan .....	1
24	1104436	Woodruff Key, 3/16 x 3/4 .....	1
25	1185348	Roll Pin, 1/4 x 1-1/4 .....	2
26	1185803	Grease Fitting .....	4
27	1720867	Shear Bolt.....	2
28	1725116	Auger, Left Hand .....	1
29	1185816	Special Washer, 1-1/64 Diameter .....	6
30 •	1100068	Hex Head Capscrew, 3/8-16 x 3/4.....	2
31	1725117	Auger, Right Hand .....	1

REF. NO.	PART NO.	DESCRIPTION	NO. REQ'D
32	1712059	Carriage Bolt, 5/16-18 x 1/2 ..	5
33	1740553	Scraper Blade .....	1
34	1728567	Runner.....	2
35	1733398	Lock Nut, 3/8-16.....	6
36 •	1111599	Hex Head Capscrew, 1/4-20 x 5/8.....	6
37 •	1100053	Hex Head Capscrew, 1/2-13 x 3/4.....	2
38 •	1100245	Lockwasher, 1/2 .....	2
39 •	1100257	Flat Washer, 1/2 .....	2
40	1185846	Flange Bushing .....	2
41	1720922	Bearing Support .....	2
42	1185798	Flange Whiz Lock Screw, 3/8-16 x 1/2 .....	2
43	1739944	V-Belt, 38" .....	1
44	1725282	Auger Sheave .....	1
45	1800418	Flange Bearing (1) .....	2
46	1741640	Ball Bearing .....	1
47	1737938	Lock Nut, No. 10-24.....	6
48 •	1103959	Flat Washer, No. 10 .....	AR
49	1724869	Clip.....	3
50 •	1185130	Hex Head Sems Machine Screw, No. 10-24 .....	6
51	1724867	Duct Assembly .....	1
52	1751087	Deflector Cap w/Decal (Incl. Ref. 53) .....	1
53	1750692	Decal (Warning) .....	1
54	1723643	Adjusting Lever.....	1
55	1722501	Guard, Chute .....	1
56 •	1185147	Cotter Pin, 3/32 x 1/2 .....	2
57 •	1186098	Carriage Bolt, 5/16-18 x 3/4 ..	3
58	1732499	Lock Nut 5/16-28 .....	6
59	1185838	Flange Bearing (2) .....	2
60	1737419	Set Screw 5/16-18 x 3/4 .....	2
NI	1723479	Grease, Multi-Purpose 8 oz.	

(1) Model 524 S/N 0900101 thru 1099999  
724 S/N 0400101 thru 0499999  
824 S/N 0100101 thru 0299999

(2) Model 824 S/N 0300101 thru 0399999



**Figure 4 GEAR CASE ASSEMBLY**

REF. NO.	PART NO.	DESCRIPTION	NO. REQ'D.	REF. NO.	PART NO.	DESCRIPTION	NO. REQ'D.
1	1185224	Oil Seal .....	1	15	1185815	Thrust Race .....	2
2	1185374	Needle Bearing .....	1	16	1720933	Worm Gear, 20T .....	1
3	1185841	Thrust Race .....	2	17	1720763	Spacer .....	1
4	1185431	Thrust Bearing .....	1	18	1100276	Woodruff Key, 1/4 x 7/8 .....	1
5	1741774	Spacer .....	1	19	1185568	Needle Bearing .....	1
6	1185842	Washer .....	1	20	1105620	Square Head Plug, 1/4-18 NPT .....	1
7	1118726	Retaining Ring, Internal .....	1	21	1729790	Impeller Shaft .....	1
8	1185266	Oil Seal .....	2	22	1721715	Auger Shaft .....	1
9	1720910	Gear Case Cover .....	1	23	1185840	Thrust Race .....	1
10	1720941	Cover Gasket .....	1	24	1741775	Spacer .....	1
11	1735894	Gear Case Only .....	1	25	1112634	Expansion Plug .....	1
12	• 1111599	Cap screw, 1/4-20 x 5/8 .....	4	NI	1723456	Gear Lube, EP 90	
13	• 1100241	Lockwasher, 1/4 .....	4				
14	1185728	Flange Bearing .....	2				

• Common Hardware - purchase locally