

---

# ***Bolens***<sup>®</sup>

## **Snow Thrower**

### **Model 624**

Serial Number  
0100101 thru  
0299999

### **Model 824**

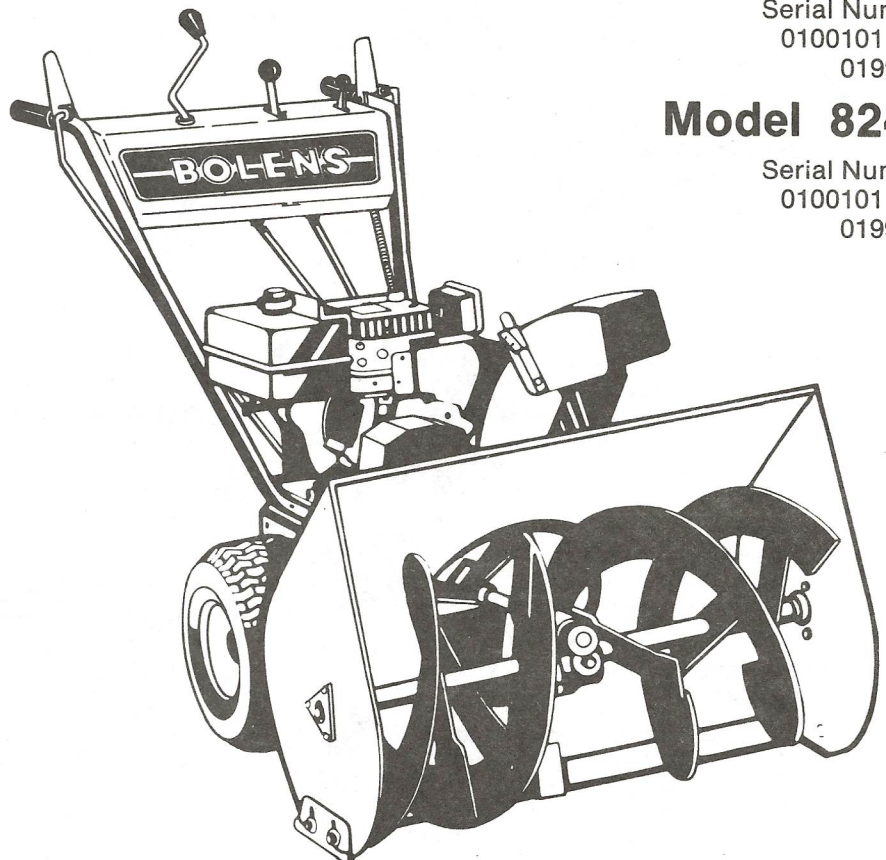
Serial Number  
0400101 thru  
0699999

### **Model 824A**

Serial Number  
0100101 thru  
0199999

### **Model 824B**

Serial Number  
0100101 thru  
0199999



## **Parts List**

# 24 INCH SNOW THROWER

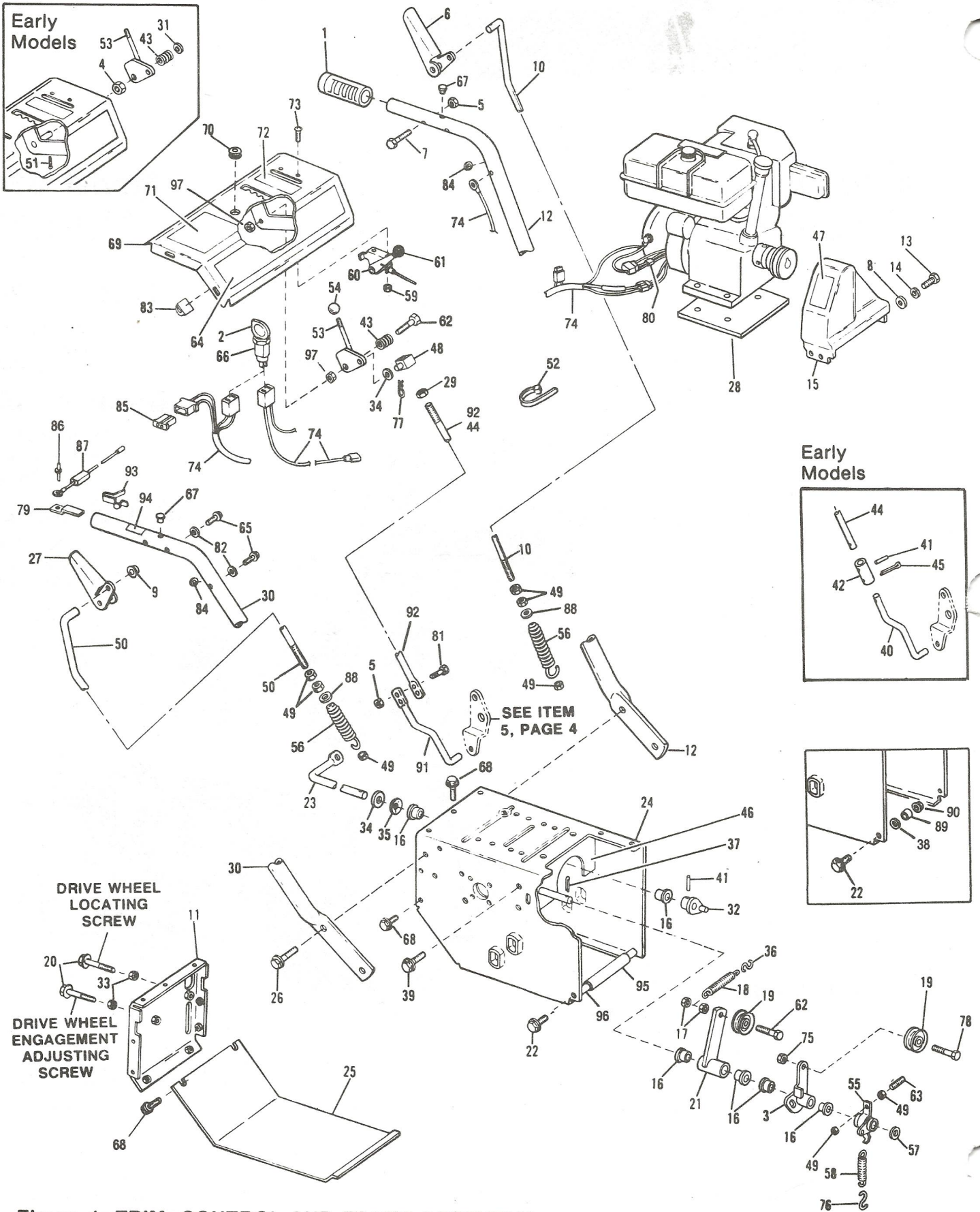


Figure 1. TRIM, CONTROL AND FRAME ASSEMBLY



**MODELS 624, 824, 824A & 824E**

REF. NO.	PART NO.	DESCRIPTION	NO. REQ'D
1	1744471	Handle Grip .....	2
2	1727326	Key Only .....	1
3	1739937	Idler Arm .....	1
4	• 1186213	Nut, 7/16-20 (1) (2) .....	1
5	• 1734398	Hex Lock Nut, 1/4-20 .....	4
6	1745672	L.H. Control Handle .....	1
7	• 1111601	Hex Capscrew, 1/4-20 x 1-3/4 .....	2
8	• 1107382	Flat Washer, 5/16 .....	2
9	1728072	Push Nut .....	2
10	1739734	Clutch Control Rod .....	1
11	1739757	Back Plate .....	1
12	1749169	Left Hand Handle (824) .....	1
	1750909	Left Hand Handle (624) & (3) .....	1
13	• 1100044	Hex Head Capscrew, 5/16-18 x 3/4 .....	2
14	• 1100242	Lockwasher, 5/16 .....	2
15	1740030	Belt Guard .....	1
16	1715716	Bushing .....	6
17	1185506	Self Locking Jam Nut, 3/8-16 .....	2
18	1740011	Extension Spring .....	1
19	1729440	Idler .....	2
20	• 1186334	Fl. Head Capscrew, 5/16-18 x 1-3/4 .....	2
21	1739935	Idler Arm .....	1
22	• 1186329	Flange Hd. Capscrew, 5/16-18 x 3/4 .....	2
23	1739942	Control Arm .....	1
24	1745852	Frame (824) .....	1
	1745850	Frame (624) .....	1
	1745858	Frame (3) .....	1
25	1739838	Bottom Cover .....	1
26	• 1186345	Flange Screw, 3/8-16 x 3/4 .....	4
27	1745673	R.H. Control Handle .....	1
28	1741734	Engine Mounting Plate .....	1
29	• 1186231	Hex Nut, 3/8-16 .....	1
30	1749170	Right Hand Handle (824) .....	2
	1750910	Right Hand Handle (624) & (3) .....	2
31	• 1107383	Flat Washer, 3/8 (1) (2) .....	1
32	1739932	Control Arm .....	1
33	• 1186258	Hex Nut, 5/16-18 .....	2
34	1890234	Flat Washer, 1/2 .....	2
35	1706782	Bowed Washer .....	1
36	1740989	Hook .....	1
37	• 1100356	Cotter Pin, 3/32 x 1 .....	1
38	1177548	Lock Washer 5/16 (1) (2) .....	2
39	• 1186328	Flange Screw, 5/16-18 x 5/8 .....	6
40	1739726	Control Rod (1) .....	1
41	1743493	Drive Pin, 1/8 x 3/4 .....	2
42	1721782	Coupling (1) .....	1
43	1713167	Compression Spring .....	1
44	1741447	Speed Control Rod (1) .....	1
45	• 1100350	Cotter Pin, 1/8 x 1 (1) .....	1
46	1740442	Support Assembly (1) (2) .....	1
	1754272	Support Assembly (3) .....	1
47	1750521	Decal (624) .....	1
	1746130	Decal (824) .....	1
48	1727053	Swivel Block .....	1
49	• 1186229	Hex Nut, 1/4-20 .....	8
50	1740027	Auger Control Rod .....	1
51	• 1100349	Cotter Pin, 1/8 x 3/4 (1) (2) .....	1
52	1735531	Tie Cable .....	4
53	1739715	Control Lever .....	1
54	1715817	Knob .....	1

REF. NO.	PART NO.	DESCRIPTION	NO. REQ'D
55	1739941	Brake Arm Assembly .....	1
56	1739745	Extension Spring .....	2
57	• 1107385	Flat Washer 1/2" .....	1
58	1740990	Extension Spring .....	1
59	• 1185985	External Lockwasher Nut, No. 10 .....	2
60	1741648	Throttle Control (Incl. Ref. 61) .....	1
61	1724527	Control Knob .....	1
62	• 1100086	Hex Screw, 3/8-16 x 1-3/4 .....	2
63	1741847	Socket Head Screw, 1/4-20 x 1-1/4 .....	1
64	1748619	Decal (Logo) .....	1
65	• 1740800	Flange Lock Screw, 1/4-20 x 5/8 .....	4
66	1727321	Ignition Switch (Incl. Ref. 2) .....	1
67	1747213	Wear Button (824) .....	2
	1750796	Wear Button (624) & (3) .....	2
68	1724491	Thd. Form Screw 5/16-18 x 3/4 .....	9
69	1745472	Console Assembly (1) (2) .....	1
	1754331	Console Assembly (3) .....	1
70	1185585	Flip Grommet .....	1
71	1740559	Decal Instructions (1) (2) .....	1
	1754325	Decal Instructions (3) .....	1
72	1740558	Decal Throttle Control (1) (2) .....	1
	1754326	Decal Throttle Control (3) .....	1
73	• 1115815	Round Head Phillips Screw, No. 10-24 x 5/8 .....	2
74	1740404	Lead (624) (824) .....	1
	1748837	Lead (824B) (824A) .....	1
75	• 1733398	Lock Nut, 3/8-16 .....	1
76	1742250	Hook .....	1
77	1703011	Spring Clip .....	1
78	• 1100047	Hex Screw, 3/8-16 x 1-1/2 .....	1
79	1746516	Clamp (824B) (824A) .....	2
80	1721038	Connector (824) & (3) .....	1
81	• 1100805	Hex Screw 1/4-20 x 3/4 (2) (3) .....	2
82	• 1107381	Flat Washer, 1/4 .....	4
83	1724879	Cord Clip (824) .....	1
84	1748835	Bushing (824) & (824A) .....	2
85	1748836	Connector Body (824B) (824A) .....	1
86	1186424	Pop Rivet 1/8 (824B) (824A) .....	2
87	1746515	Resistor Assembly (824B) (824A) .....	2
88	• 1100241	Lock Washer, 1/4 .....	2
89	1721790	Spacer (1) (2) .....	2
90	• 1186391	Flange Nut 5/16-18 (1) (2) .....	2
91	1752107	Lower Control Rod (2) (3) .....	1
92	1752106	Upper Control Rod (2) (3) .....	1
93	1745674	Snap Button (3) .....	1
94	1754327	Decal Interlock (3) .....	1
95	1746607	Tube, Plastic (3) .....	1
96	1739756	Cross Member (3) .....	1
97	1733398	Lock Nut 3/8-16 (3) .....	2

- (1) 624 S/N 0100101 thru 0101556  
824B S/N 0100101 thru 0100162
- (2) 624 S/N 0101557 thru 0199999  
824B S/N 0100163 thru 0199999  
824 S/N 0400101 thru 0499999
- (3) 624 S/N 0200101 thru 0299999  
824 S/N 0600101 thru 0699999  
824A S/N 0100101 thru 0199999

• Common Hardware Purchase Locally.

# 24 INCH SNOW THROWER

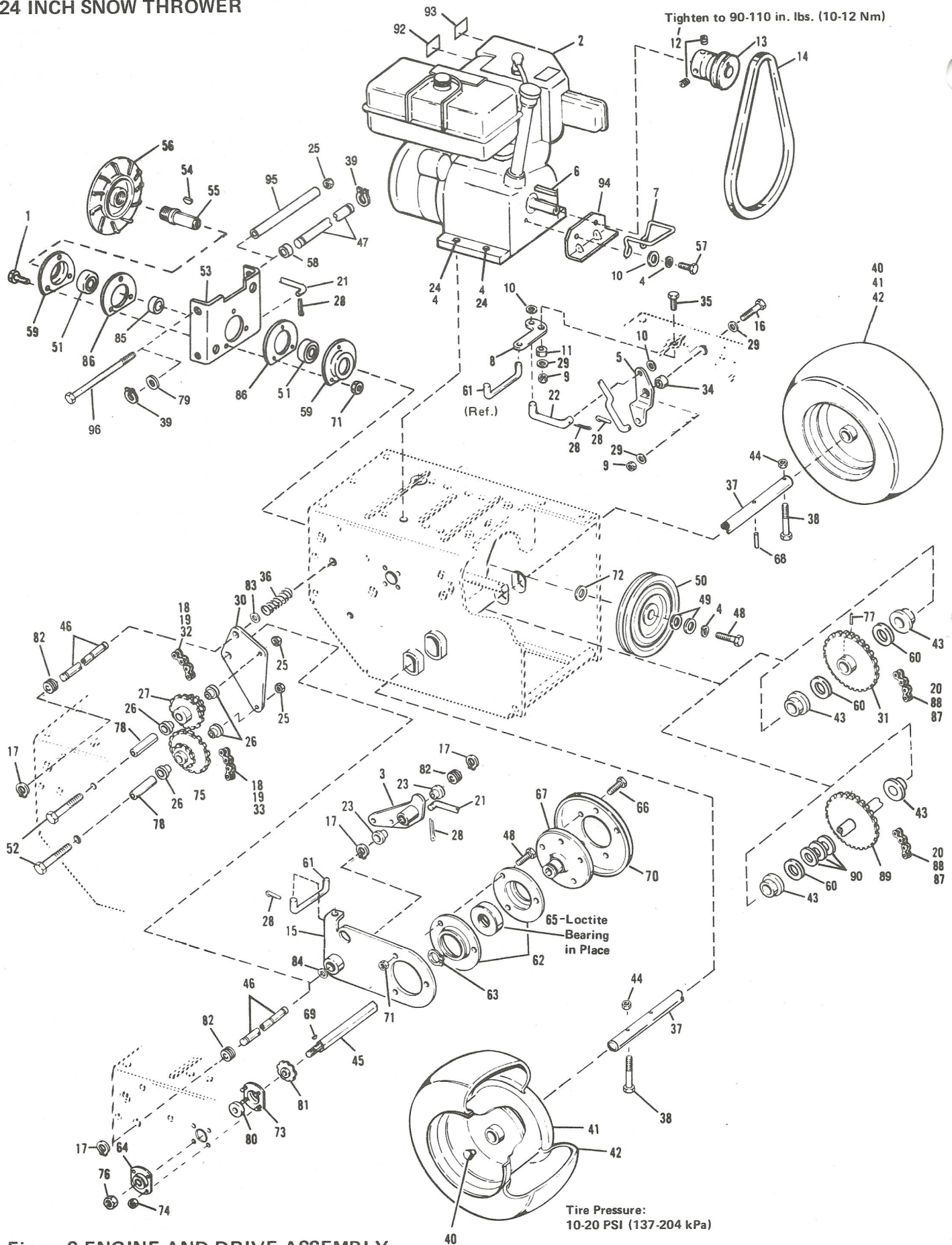


Figure 2 ENGINE AND DRIVE ASSEMBLY



**MODELS 624, 824, 824A & 824B**

REF. NO.	PART NO.	DESCRIPTION	NO. REQ'D
1	• 1100045	Hex Screw 5/16-18 x 1	3
2	*	Tecumseh Engine HSK60 (624)	1
	*	Tecumseh Engine HMSK80 (824)	1
3	1745485	Arm Assembly	1
4	• 1100242	Lockwasher, 5/16	11
5	1745441	Control Arm	1
6	1187474	Key, 1/4 Square x 1-1/4	1
7	1749177	Belt Guide	1
8	1745438	Control Arm	1
9	1733398	Lock Nut, 3/8-16	2
10	• 1107382	Flat Washer, 5/16	4
11	1745419	Pivot	1
12	1741846	Set Screw, 5/16-18 x 1/2	2
13	1749174	Engine Sheave (1) (2)	1
	1754323	Engine Sheave (3)	1
14	1739943	V-Belt 32" (1) (2)	1
	1751601	V-Belt 31" (3)	1
15	1745483	Support Plate	1
16	• 1100047	Capscrew, 3/8-16 x 1-1/2	1
17	1118808	Retaining Ring	5
18	0182087	Offset Link (Half Link)	1
19	1185013	Conn. Link, No. 41 Chain	3
20	1739455	Drive Chain, 1/2 Pitch, ASA No. 40 (1)	1
	1739454	Drive Chain, 1/2 Pitch, ASA No. 40 (2) (3)	1
21	1745437	Control Link	1
22	1745435	Control Link	1
23	1714299	Flange Bushing	2
24	• 1100799	Hex Screw 5/16-18 x 1-1/2 (824)	4
	• 1100044	Hex Screw 5/16-18 x 3/4 (624)	4
25	• 1186393	Flange Lock Nut, 3/8-16	3
26	1739458	Flange Bearing	4
27	1745498	Sprocket Assembly 9T/17T	1
28	• 1100346	Cotter Pin, 3/32 x 3/4	9
29	• 1100256	Flat Washer, 3/8	3
30	1739497	Support Plate	1
31	1739468	Sprocket 30T (624)	1
32	1745879	Drive Chain ASA No. 41	1
33	1745880	Drive Chain ASA No. 41	1
34	1739728	Pivot	1
35	• 1100046	Hex Screw, 3/8-16 x 1	1
36	1741647	Compression Spring	1
37	1739469	Axle Shaft (624) (1) (2)	1
	1754372	Axle Shaft (624) (3)	1
38	• 1743680	Hex Screw, 1/4-20 x 1-3/4	2
39	1118804	Retaining Ring (1) (2)	2
40	1718086	Valve Stem	2
41	1739788	Wheel Disc (624)	1
	1739803	Wheel Disc (824)	1
42	1725299	Tire 4.10/3.50 x 6 (624)	2
	1727902	Tire 4.80/4.00 x 8 (824)	2
43	1739470	Flange Bearing 3/4 (624)	2
	1739471	Flange Bearing 7/8 (824)	2
44	• 1734398	Lock Nut, 1/4-20	2
45	1739457	Hex Shaft	1
46	1745860	Shaft Support	2
47	1739462	Support Shaft (1) (2)	1
48	• 1100044	Capscrew, 5/16-18 x 3/4	4
49	1713233	Washer, Flat Special	2

REF. NO.	PART NO.	DESCRIPTION	NO. REQ'D
50	1745488	Sheave	1
51	1743433	Ball Bearing	2
52	• 1111615	Capscrew, 3/8-16 x 3-1/2	2
53	1745486	Drive Disc Support (1) (2)	1
	1754302	Drive Disc Support (3)	1
54	1185885	Woodruff Key, 3/16 x 5/8	1
55	1745535	Spindle	1
56	1720918	Drive Plate	1
57	• 1100005	Hex Screw, 5/16-24 x 1	2
58	1739461	Spacer (1) (2)	1
59	1739488	Bearing Retainer	2
60	1739463	Flat Washer 3/4 (624)	2
	1740002	Flat Washer 7/8 (824)	4
61	1745436	Connecting Link	1
62	1739485	Retainer Bearing	2
63	1736561	Snap Ring	1
64	1720811	Flange Bearing	1
65	1741733	Thrust Bearing	1
66	• 1186327	Screw, 5/16-18 x 1/2	5
67	1739490	Friction Disc Hub	1
68	1185376	Drive Pin, 3/16 x 1-1/2	1
69	1104435	Woodruff Key	1
70	1720859	Molded Friction Disc	1
71	• 1732499	Lock Nut, 5/16-18	6
72	1709224	Special Washer	1
73	1720810	Flange Bearing Assembly	1
74	• 1737938	Lock Nut, No. 10-24	4
75	1745496	Sprocket Ass'y 11T/30T (624)	1
	1745497	Sprocket Ass'y 9T/30T (824)	1
76	• 1185496	Jam Nut, No. 1/2-13	1
77	1739464	Drive Pin, 3/16 x 1 (624)	1
78	1739476	Spacer	1
79	1890234	Flat Washer, 1/2 (1) (2)	3
80	1185808	Ball Bearing	1
81	1745495	Sprocket, 9T	1
82	1714233	Nylon Bushing	4
83	1705093	Flat Washer	1
84	• 1107386	Flat Washer, 5/8	1
85	1745489	Spacer	1
86	1745490	Bearing Retainer	2
87	1185026	Conn. Link No. 40	1
88	1120213	Offset Link (Half Link)	1
89	1752406	Shaft Ass'y Axle (824)	1
90	1736724	Flat Washer (824) (1) (2)	3
	1709401	Flat Washer (824) (3)	3
	1708550	Flat Washer (624) (3)	3
91	1754328	Decal, Hot Surface (3)	1
92	1754330	Decal, Primer (3)	1
93	1754362	Decal, Choke (624) (3)	1
	1754329	Decal, Choke (824/824A) (3)	1
94	1754254	Engine Support (824/824A) (3)	1
95	1754301	Tube (3)	1
96	1754303	Hex Hd. Screw 3/8-16 x 8 1/2 (3)	1

(1) 624 S/N 0100101 thru 0101556  
824B S/N 0100101 thru 0100162

(2) 624 S/N 0101557 thru 0199999  
824B S/N 0100163 thru 0199999  
824 S/N 0400101 thru 0499999

(3) 624 S/N 0200101 thru 0299999  
824 S/N 0600101 thru 0699999  
824A S/N 0100101 thru 0199999

• Common Hardware Purchase Locally (Grade 5 where applicable)

24 INCH SNOW THROWER

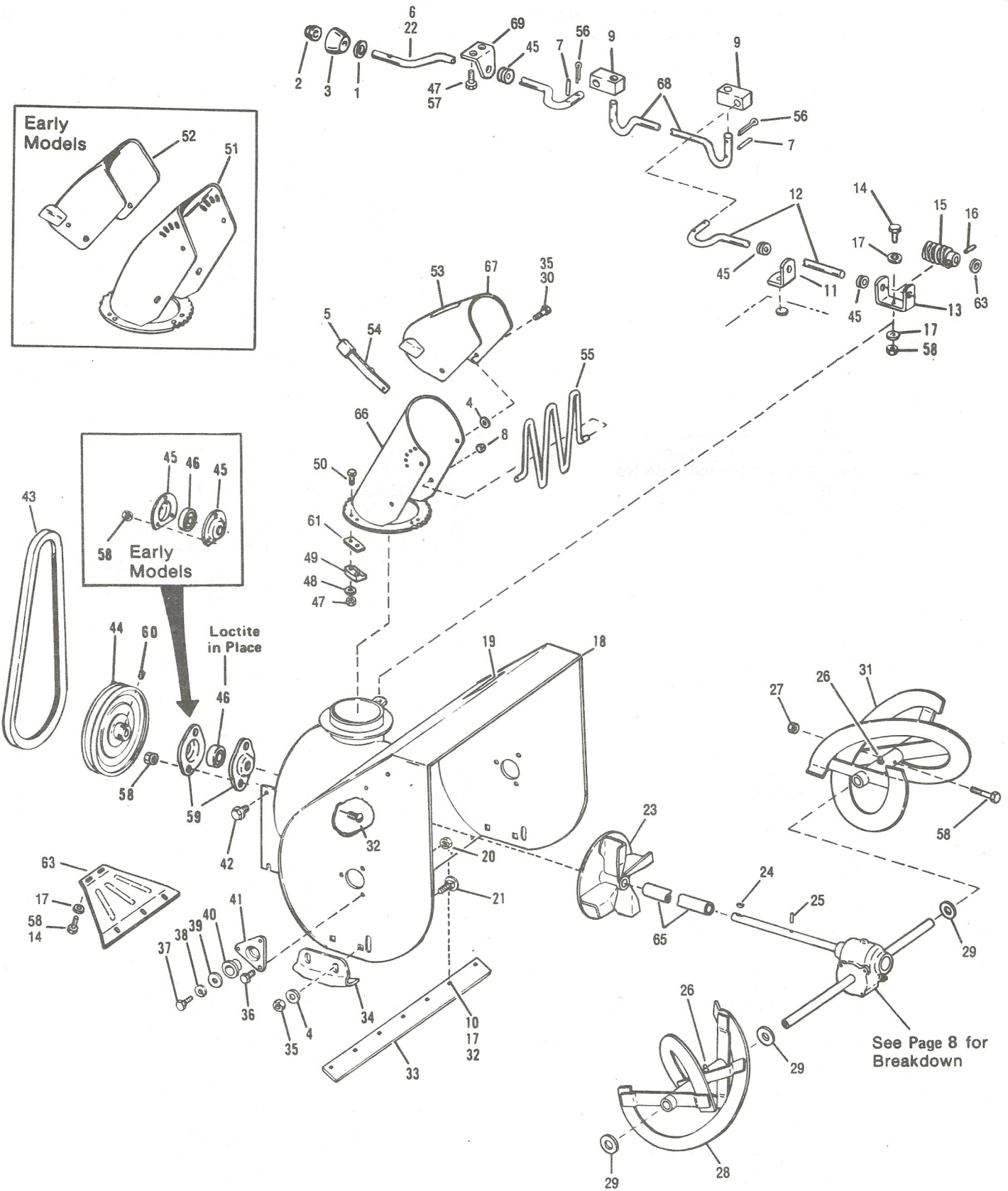


Figure 3 BLOWER HOUSING ASSEMBLY



**MODELS 624, 824, 824A & 824B**

REF. NO.	PART NO.	DESCRIPTION	NO. REQ'D
1	1890945	Flat Washer, 3/8 .....	1
2	1724791	Cap, Push On .....	1
3	1735868	Knob.....	1
4 •	1107383	Flat Washer, 3/8 .....	6
5	1730214	Grip .....	1
6	1736691	Chute Control Crank (1) (2) .....	1
7	1177625	Roll Pin, 1/8 x 3/4 .....	6
8	1186048	Push Nut .....	2
9	1714782	Swivel Block (1) (2) .....	1
	1714782	Swivel Block (3) .....	2
10 •	1110107	Lock Nut, 5/16-18 .....	5
11	1745417	Crank Support (1) (2) ...	1
	1754424	Crank Support (3) .....	1
12	1739795	Chute Control Shaft (1) (2) .....	1
	1754432	Chute Control Shaft (3)	1
13	1735869	Gear Support .....	1
14 •	1100044	Hex Head Capscrew, 5/16-18 x 3/4 .....	3
15	1724870	Worm, 6 Thread, L.H ....	1
16	1724855	Drive Pin, 3/32 x 3/4.....	1
17 •	1107382	Flat Washer, 5/16 .....	9
18	1745815	Housing (1) .....	1
	1751086	Housing w/Decal (2) (Incl. Ref. 19) .....	1
	1754871	Housing w/Decal (3) (Incl. Ref. 19) .....	1
19	1750691	Decal (Warning) .....	1
20	1734398	Lock Nut, 1/4-20 .....	6
21 •	1186126	Carriage Bolt, 3/8-16 x 3/4 .....	4
22	1754433	Chute Control Rod (3) ..	1
23	1745799	Fan .....	1
24	1104436	Woodruff Key, 3/16 x 3/4	1
25	1185348	Roll Pin, 1/4 x 1-1/4 .....	2
26	1185803	Grease Fitting .....	4
27	1720867	Shear Bolt .....	2
28	1725116	Auger, Left Hand .....	1
29	1185816	Special Washer, 1-1/64 Diameter .....	6
30 •	1100068	Hex Head Capscrew, 3/8-16 x 3/4 .....	2
31	1725117	Auger, Right Hand .....	1
32	1186098	Carriage Bolt, 5/16-18 x 3/4 .....	7
33	1740553	Scraper Blade .....	1
34	1728567	Runner .....	2

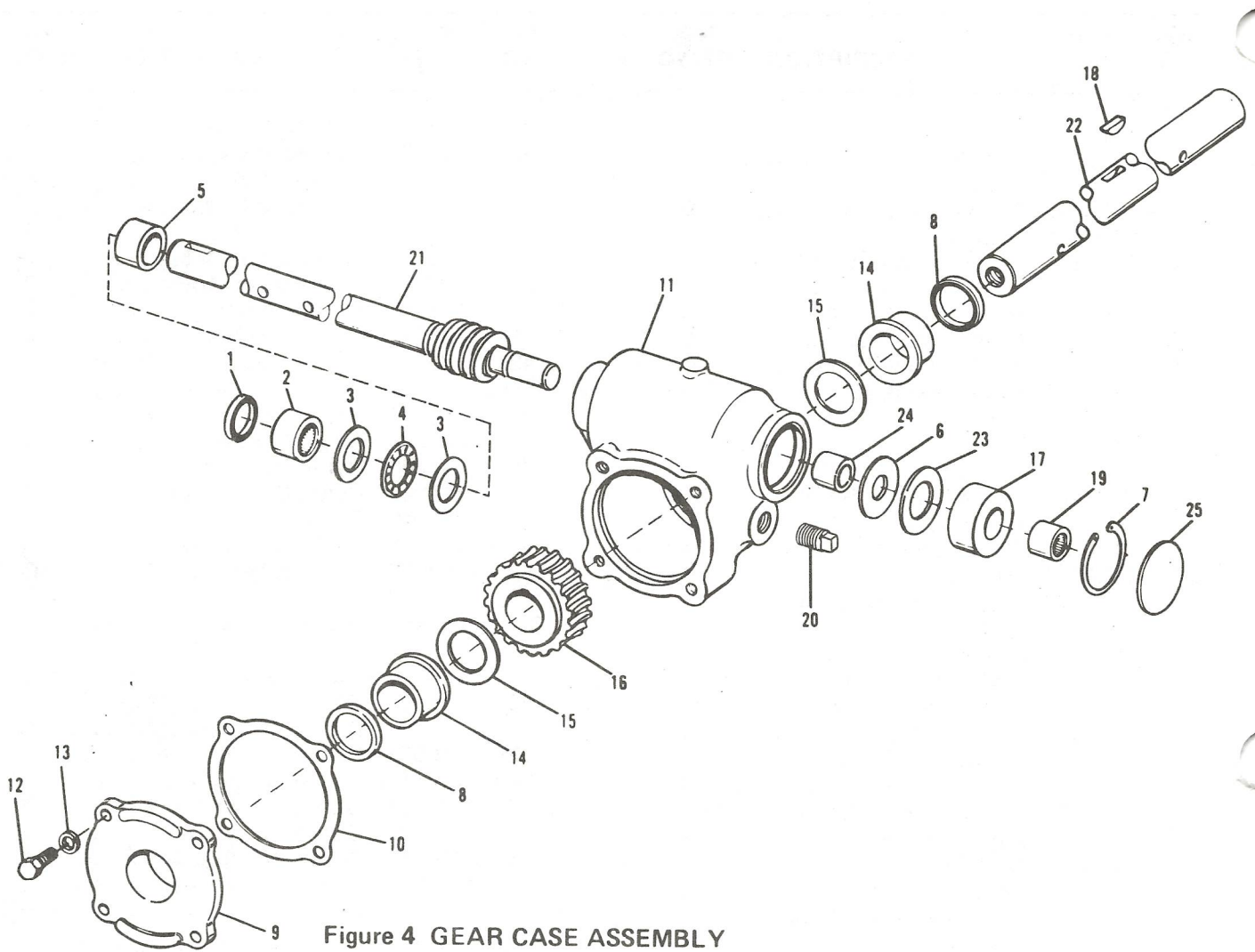
• Common Hardware - Purchase Locally (Grade 5 where applicable).

REF. NO.	PART NO.	DESCRIPTION	NO. REQ'D
35	1733398	Lock Nut, 3/8-16 .....	6
36 •	1111599	Hex Head Capscrew, 1/4-20 x 5/8 .....	6
37 •	1100053	Hex Head Capscrew, 1/2-13 x 3/4 .....	2
38 •	1100245	Lockwasher, 1/2 .....	2
39 •	1100257	Flat Washer, 1/2 .....	2
40	1185846	Flange Bushing .....	2
41	1720922	Bearing Support .....	2
42	1185798	Flange Whiz Lock Screw, 3/8-16 x 1/2 .....	2
43	1739944	V-Belt, 38" .....	1
44	1725282	Auger Sheave .....	1
45	1714243	Nylon Bushing (2) .....	1
	1714243	Nylon Bushing (3) .....	3
46	1741640	Ball Bearing .....	1
47 •	1737938	Lock Nut, No. 10-24 .....	6
48 •	1103959	Flat Washer, No. 10 .....	AR
49	1724869	Clip .....	3
50	1752461	Hex Head Sems Machine Screw, No. 10-24 x 7/8	8
51	1724867	Duct Assembly (1) (2) ...	1
52	1751087	Deflector Cap w/Decal (Incl. Ref. 53) (1) (2) ....	1
53	1750692	Decal (Warning) .....	1
54	17236143	Adjusting Lever .....	1
55	1722501	Guard, Chute (1) (2) ....	1
	1743387	Guard, Chute (3) .....	1
56 •	1185147	Cotter Pin, 3/32 x 1/2 .....	3
57	1737940	Truss Screw 10-24 x 3/8 (3) .....	2
58	1732499	Lock Nut 5/16-28 .....	7
59	1185838	Flange Bearing .....	2
60	1737419	Set Screw 5/16-18 x 3/4	2
61	1752460	Shim (2) (3) .....	4
62	1724892	Bowed Washer (2) (3) ...	1
63	1754572	Support Housing (3) ....	1
65	1753357	Sleeve (3) .....	1
66	1753935	Discharge Chute Ass'y (3) .....	1
67	1754799	Discharge Cap w/Decal (3) .....	1
68	1754434	Chute Control Crank (3)	1
69	1754369	Chute Control Support (3) .....	1
NI	1723479	Grease, Multi-Purpose 8 oz.	

(1) 624 S/N 0100101 thru 0101556  
824B S/N 0100101 thru 0100162

(2) 624 S/N 0101557 thru 0199999  
824B S/N 0100163 thru 0199999  
824 S/N 0400101 thru 0499999

(3) 624 S/N 0200101 thru 0299999  
824 S/N 0600101 thru 0699999  
824A S/N 0100101 thru 0199999



**Figure 4 GEAR CASE ASSEMBLY**

REF. NO.	PART NO.	DESCRIPTION	NO. REQ'D.
1	1185224	Oil Seal .....	1
2	1185374	Needle Bearing .....	1
3	1185841	Thrust Race .....	2
4	1185431	Thrust Bearing .....	1
5	1741774	Spacer .....	1
6	1185842	Washer .....	1
7	1118726	Retaining Ring, Internal .....	1
8	1185266	Oil Seal .....	2
9	1720910	Gear Case Cover .....	1
10	1720941	Cover Gasket .....	1
11	1735894	Gear Case Only .....	1
12	• 1111599	Capscrew, 1/4-20 x 5/8 .....	4
13	• 1100241	Lockwasher, 1/4 .....	4
14	1185728	Flange Bearing .....	2

REF. NO.	PART NO.	DESCRIPTION	NO. REQ'D.
15	1185815	Thrust Race .....	2
16	1720933	Worm Gear, 20T .....	1
17	1720763	Spacer .....	1
18	1100276	Woodruff Key, 1/4 x 7/8 .....	1
19	1185568	Needle Bearing .....	1
20	1105620	Square Head Plug, 1/4-18 NPT .....	1
21	1739790	Impeller Shaft .....	1
22	1721715	Auger Shaft .....	1
23	1185840	Thrust Race .....	1
24	1741775	Spacer .....	1
25	1112634	Expansion Plug .....	1
NI	1723456	Gear Lube, EP 90	

• Common Hardware - purchase locally