

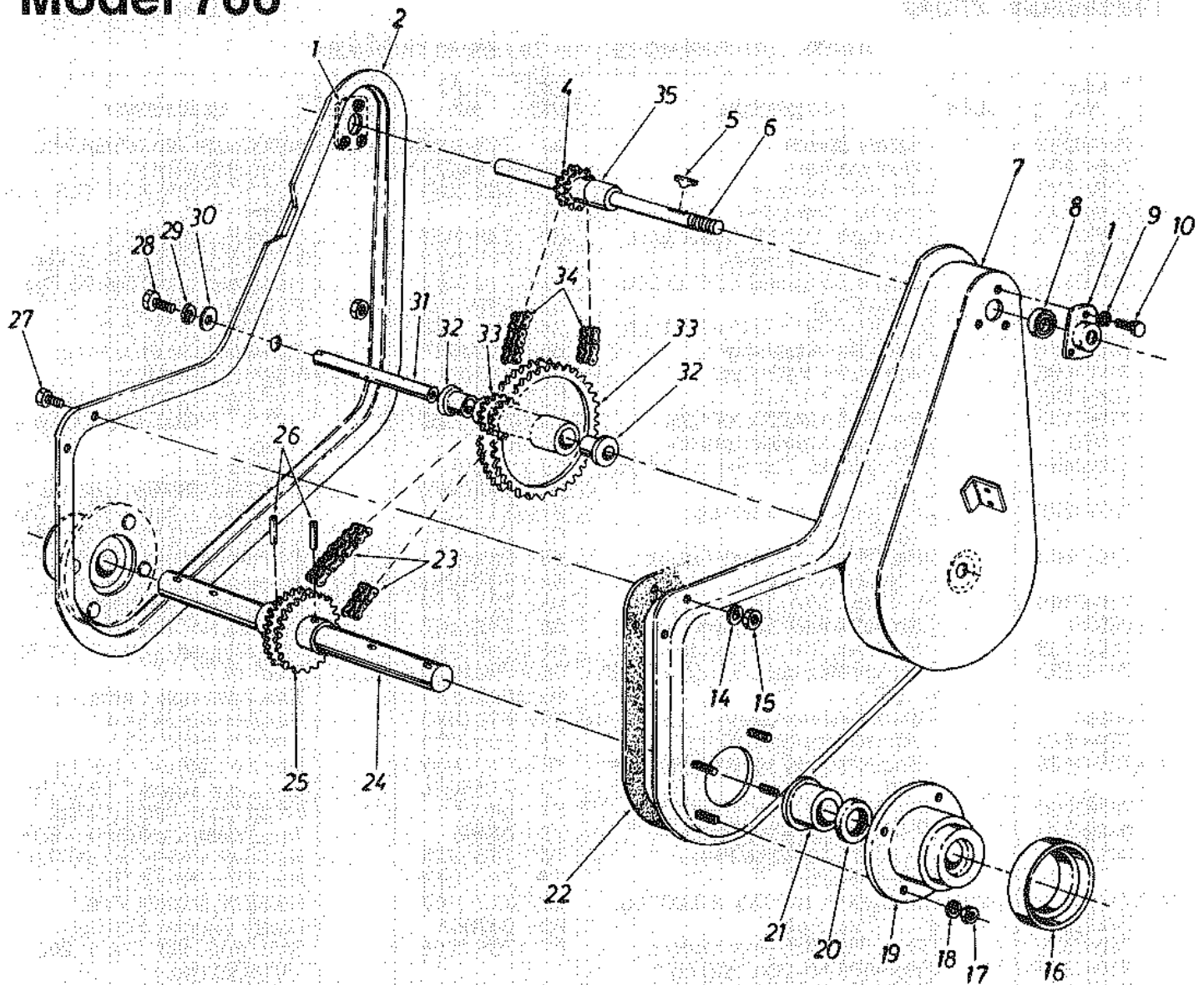


# Model 766

## PARTS LIST FOR MODEL 766 TILLER ATTACHMENT

REF. NO.	PART NO.	CODE	DESCRIPTION	REF. NO.	PART NO.	CODE	DESCRIPTION
1	725-0713		Safety Switch	47	712-0214		Hex Crown Nut 3/8-24 Thd.
2	725-1290		Wire Harness	48	754-0253		"V"-Belt (Kevlar)
3	725-1393		Adapter Harness	49	756-0351		1/2" "V"-Pulley 4.75" O.D. x .625" Bore
5	714-0147		Internal Cotter Pin	50	736-0158		L-Wash. 5/8" I.D.*
6	736-0179		FI-Wash. 1/2" I.D. x .93" O.D.	51	712-0221		Hex Ins. L-Nut 5/18-16 Thd.
7	04997		Link Rod Assembly	52	712-0375		Hex Cent. L-Nut 3/8-16 Thd.
8	732-0390		Extension Spring 1.25" O.D. x 12.75" Lg.	53	736-0140		FI-Wash. 3/8" I.D.
9	714-0114		Sq. Key 1/4" x 1/4" x 2.00" Lg.	54	756-0293A		Idler Pulley 4.0" O.D.
10	04993		Hitch Bar Assembly	55	710-0314		Hex Bolt 7/16-20 x 1" Lg.
11	712-0138		Hex Nut 1/4-28 Thd.*	56	736-0171		L-Wash. 7/16" I.D.*
12	736-0329		L-Wash. 1/4" I.D.*	57	736-0319		FI-Wash. 7/16" I.D. x 1.38"
13	710-0195		Hex Bolt 1/4-28 x .62" Lg.	58	756-0350		1/2" "V"-Pulley .475" O.D. x 1.00" Bore
14	04966		Support Frame Assembly	59	13819		Belt Guard
15	710-0429		Hex Hd. "B"-Tap Scr. #10 x .62" Lg.	60	710-0520		Hex Bolt 3/8-16 x 1.50" Lg.*
16	727-0225		#2 Dog Chain x 20" Lg. (2 Req'd.)	61	712-0158		Hex Cent. L-Nut 5/16-18 Thd.
17	710-0623		Hex Wash. Hd. Self-Tap Scr. 3/8-24 x .75" Lg.	62	710-0780		Hex Bolt 7/16-14 x 2.00" Lg.
18	736-0169		L-Wash. 3/8" I.D.*	63	04970		Tine Adapter Assembly
19	04978		Swivel Wheel Support	64	742-0243		Tine—L.H.
20	736-0188		FI-Wash. 3/4" I.D. x 1.50" O.D.	65	731-0374		Flange Bearing 1.00" I.D.
21	741-0382		Flange Bearing 3/4" I.D. x 1.00" O.D.	66	748-0276		Spacer
22	04981		Swivel Wheel Caster	67	736-0281		Thrust Wash. 1/2" I.D. x 1.55"
23	734-0979		Wheel Assembly 10.0 x 2.75	68	742-0244		Tine—R.H.
24	738-0476		Shoulder Bolt .623" I.D. x 3.62" Lg.	69	04995		Tine Assembly Comp.—L.H.
25	712-0290		Hex Cent. L-Nut 7/16-14 Thd.	70	712-0241		Hex Nut 3/8-24 Thd.*
26	04985		L.H. Shield Hinge Flap	71	736-0119		L-Wash. 5/16" I.D.*
	04986		R.H. Shield Hinge Flap (Not Shown)	72	710-0459		Hex Bolt 3/8-24 x 1.5" Lg.*
27	714-0115		Cotter Pin 1/8" Dia. x 1.00" Lg.*	73	712-0290		Hex Cent. L-Nut 7/16-14 Thd.
28	747-0340		L.H. Flap Rod	74	04991		Chain Case Ass'y. Comp.
	747-0339		R.H. Flap Rod (Not Shown)	75	04996		Tine Assembly Comp.—R.H.
29	710-0258		Hex Bolt 1/4-20 x .62" Lg.*	76	710-0376		Hex Bolt 5/16-18 x 1.00" Lg.*
30	736-0173		FI-Wash. 1/4" I.D.	77	712-0267		Hex Nut 5/16-18 Thd.*
31	14891		Brace—Tine Shield	78	710-0237		Hex Bolt 5/16-24 x .62"
32	712-0287		Hex Nut 1/4-20 Thd.*	80	04988A		Clutch Support Bracket
33	710-0776A		Hex Wash. Hd. Self-Tap Scr. 1/4" x .62" Lg.	81	738-0296		Shld. Bolt .435" Dia. x .265" 5/16-18 Thd.
34	14890		Stabilizer Link	82	710-0412		Hex Bolt 1/4-28 x .75" Lg.
35	710-0342		Hex Bolt 3/8-16 x 1.25" Lg.*	83	720-0142		Plastic Grip
36	711-0469		Spacer .752" I.D. x 1.25" O.D.	84	738-0183		Shoulder Bolt .498" Dia. x .212" Lg.
37	712-0158		Hex Cent. L-Nut 5/16-18 Thd.	85	747-0378		Clutch Handle
38	04987		Clutch Lever	86	14298		Clutch Support Shroud
39	747-0379		Clutch Rod	87	04519		Engine Mounting Bracket
40	738-0140		Shoulder Bolt 7/16" Dia. x 1.75" Lg.	90	710-0201		Hex Bolt 3/8-16 x .62" Lg.
41	04992		Idler Bracket	92	04975		L.H.—Side Plate
42	711-0310		Clevis Pin		04976		R.H.—Side Plate (Not Shown)
43	747-0342		Clutch Link 3.62" Lg.	93	04983		L.H.—Tine Shield
44	738-0155		Shoulder Bolt .435" Dia. x .160" Lg.	94	04984		R.H.—Tine Shield
45	736-0273		FI-Wash. .50" I.D. x 1.0" O.D. x .06	95	710-0116		Hex Bolt 5/16-18 x 2.00" Lg.*
46	732-0384		Extension Spring .62" O.D. x 6.12" Lg.	96	—		8 H.P. Engine
				97	738-0482		Hitch Rod
				98	750-0336		Push Bar Sleeve .503" I.D. x .624" O.D.
				99	711-0700		Ferrule

# Model 766



**PARTS LIST FOR CHAIN CASE ASSEMBLY COMPLETE 04991**

REF. NO.	PART NO.	CODE	DESCRIPTION	REF. NO.	PART NO.	CODE	DESCRIPTION
1	05034		Bearing Housing 1.375" Dia.	22	721-0119		Gasket
2	14895		Housing Assembly—R.H.	23	713-0150		Roller Chain #40-2 x 34.0" Lg.
5	714-0136		#6 Hi-Pro Key 5/32" x .62" Lg.	24	711-0506		Tine Shaft
6	14892		Input Shaft Assembly	25	717-0189		Double Sprocket T24-2 Teeth 1/2" Pitch
7	14894		Housing Assembly—L.H.	26	715-0125		Spiral Pin 3/8" Dia. x 2.00" Lg.
8	741-0155		Ball Bearing .62" I.D. x 1.38" O.D.	27	710-0258		Hex Bolt 1/4-20 x .62" Lg.*
9	736-0329		L-Wash. 1/4" I.D.*	28	710-0118		Hex Bolt 5/16-18 x .75" Lg.
10	710-0258		Hex Bolt 1/4-20 x .62" Lg.*	29	736-0119		L-Wash. 5/16" I.D.*
14	736-0329		L-Wash. 1/4" I.D.	30	736-0195		Fl-Wash. 5/16" I.D.
15	712-0287		Hex Cent. L-Nut 1/4-20 Thd.	31	711-0504		Sprocket Shaft
16	04973		Dust Cap Cover	32	748-0855		Flange Bearing .62" I.D. x .75" O.D.
17	712-0158		Hex Cent. L-Nut 5/16-18 Thd.	33	04529		Double Sprocket Assembly
18	736-0119		L-Wash. 5/16" I.D.*	34	713-0149		Roller Chain #35-2 x 36.75" Lg.
19	04530		Cast Bearing Housing	35	748-0192		Spacer 5/8" I.D. x 7/8" O.D.
20	721-0117		Oil Seal				
21	748-0194		Flange Bearing 1.25" I.D. x 1.75" O.D.				