

BOLENS



TRACTOR MODELS 510-01 & 510-02
and
Lift Lever Kit 15103-01

ILLUSTRATED PARTS CATALOG



BOLENS

PORT WASHINGTON, WISCONSIN, U.S.A.

PRINTED IN U.S.A. FORM NO. P-552351 1-71
SUPERSEDES FORM NO. P-552180

MODELS 510-01 & 510-02

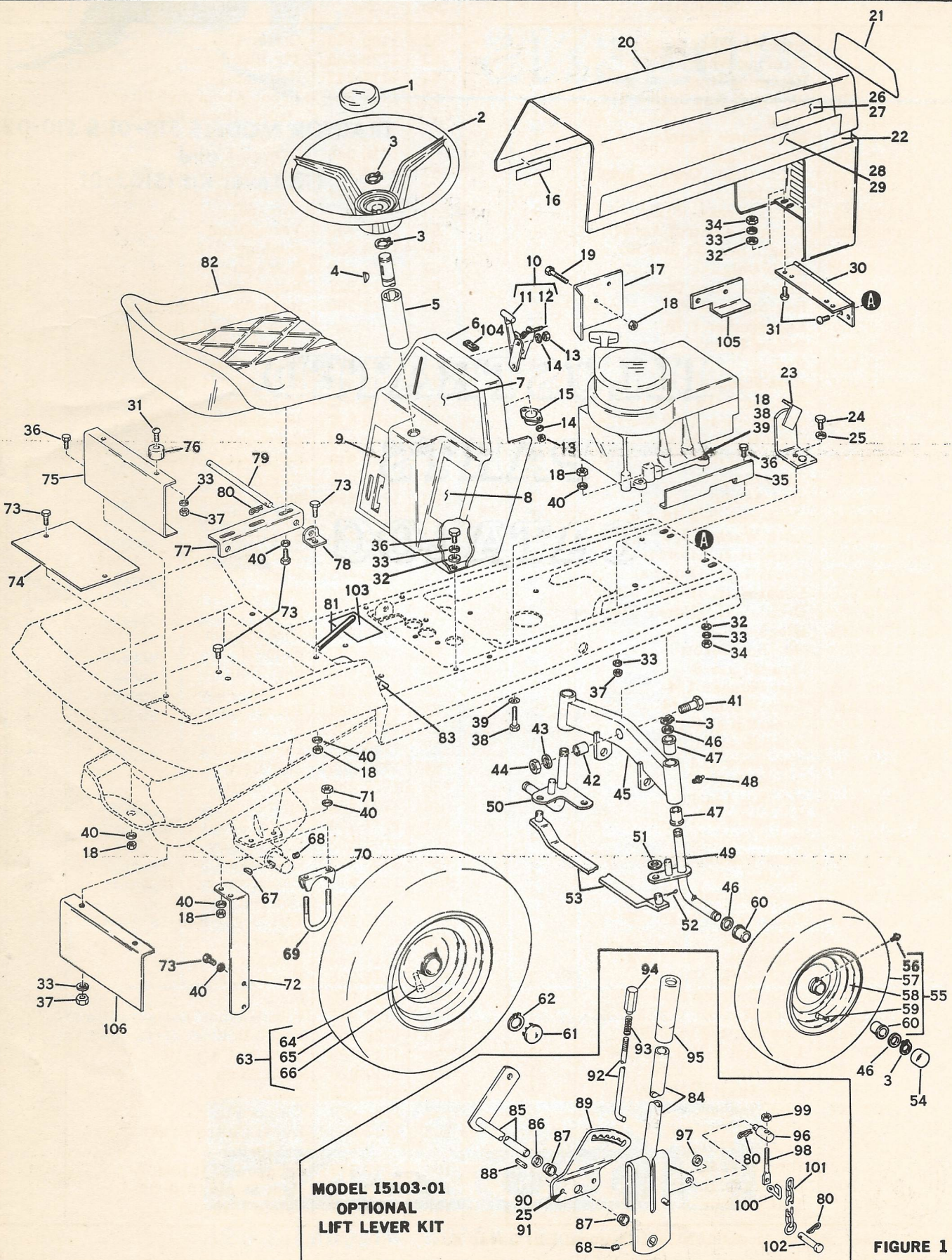


FIGURE 1

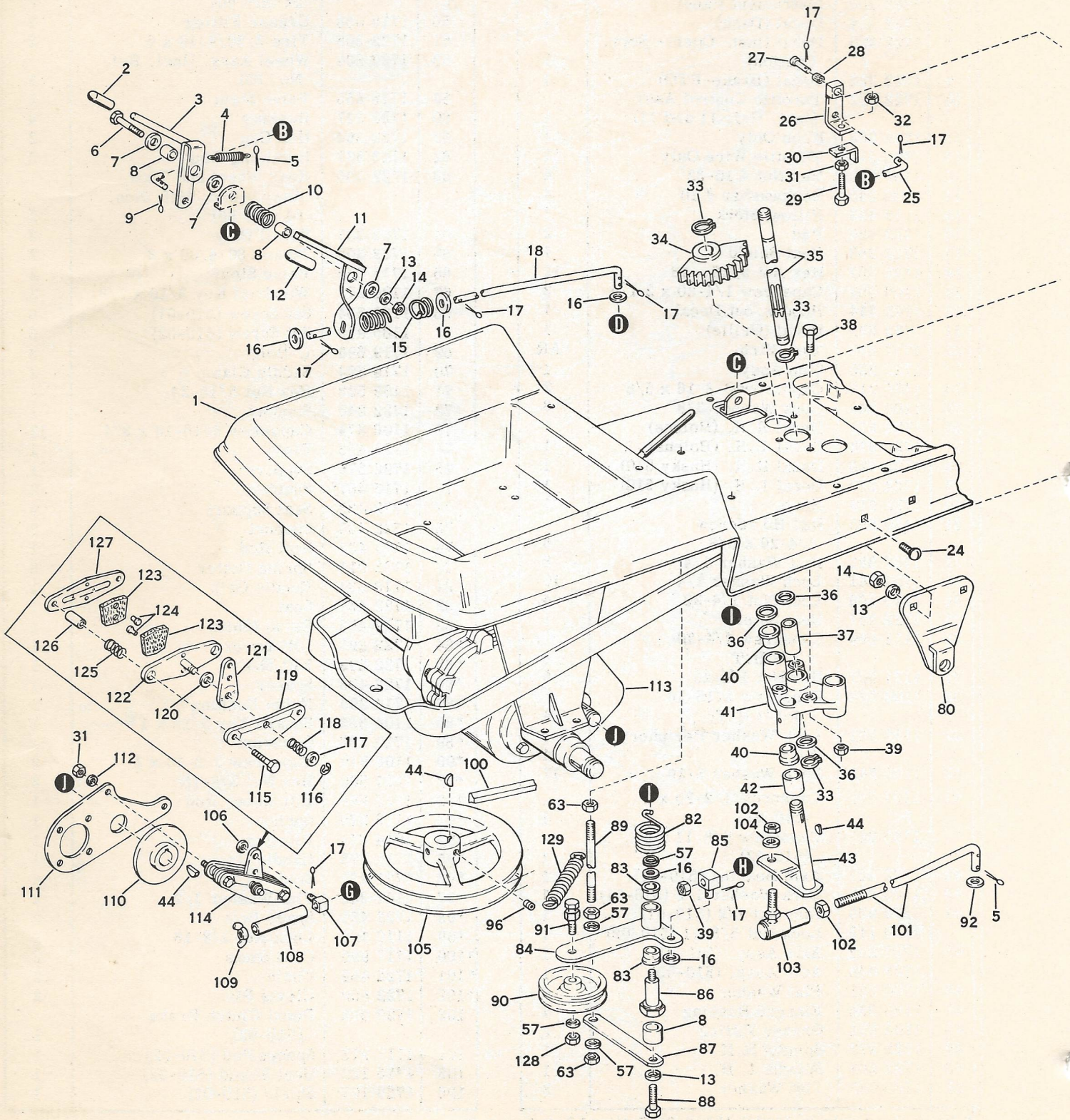
MODELS 510-01 & 510-02 (See Figure 1)

Ref. No.	Part No.	Description	No. Req'd.
1	1720 193	Steering Wheel Cap	1
2	1720 192	Steering Wheel	1
3	1185 649	Retaining Ring	6
4	1104 436	Woodruff Key 3/16 x 3/4	1
5	1722 330	Tube	1
6	1722 300	Instrument Panel	1
7	1722 324	Decal (Dash)	1
8	1722 323	Decal (Inst. Oper. - Serv. Caution)	1
9	1722 392	Decal (Brake-PTO)	1
10	1722 302	Throttle Control Assy. (Incl. Ref. 11 and 12)	1
11	1719 268	Knob Only	1
12	1705 317	Throttle Wire Only	1
13	1109 845	Hex Nut # 10-32	4
14	1100 240	Lockwasher # 10	4
15	1716 453	Pillow Block	1
16	1722 456	Pad	2
17	1722 363	Heat Shield	1
18	1182 563	Hex Nut 5/16 - 18	12
19	1100 089	Capscrew 1/4-20 x 2-1/4	2
20	1722 314	Hood w/out Decal	1
21	1722 325	Decal (Grille)	1
22	1717 859	Tape Strip	AR
23	1722 320	Stop Assy.	1
24	1106 913	Capscrew 3/8-16 x 5/8	2
25	1100 243	Lock Washer 3/8	3
26	1722 671	Decal R.H. (Bolens)	1
27	1722 672	Decal L.H. (Bolens)	1
28	1722 326	Decal R.H. (Husky 510)	1
29	1722 327	Decal L.H. (Husky 510)	1
30	1722 319	Hinge	1
31	1110 685	Rd. Hd. Screw 1/4-20 x 5/8	6
32	1107 381	Flat Washer 1/4	8
33	1100 241	Lock Washer 1/4	10
34	1110 106	Lock Nut 1/4-20	4
35	1722 357	Heat Shield	1
36	1111 599	Capscrew 1/4-20 x 5/8 H.T.	8
37	1121 507	Hex Nut 1/4-20	6
38	1100 799	Capscrew 5/16-18 x 1-1/2 H.T.	4
39	1185 261	Lock Washer Periphery 5/16	4
40	1100 242	Lock Washer 5/16	17
41	1107 269	Capscrew 1/2-20 x 2 (510-01)	1
	1185 921	Capscrew 5/8-11 x 2 (510-02)	1
42	1722 287	Axle Bearing (510-01)	1
43	1100 245	Lock Washer 1/2 (510-01)	1
44	1103 926	Jam Nut 1/2 (510-01)	1
	1110 112	Lock Nut 5/8-11 (510-02)	1
45	1722 288	Axle Assy. (510-01)	1
	1723 048	Axle Assy. (510-02)	1
46	1700 821	Flat Washer	6
47	1185 386	Flanged Bushing	4
48	1104 954	Grease Fitting	2
49	1722 279	Spindle R.H.	1
50	1722 283	Spindle L.H.	1
51	1705 092	Flat Washer	2

Ref. No.	Part No.	Description	No. Req'd.
52	1100 350	Cotter Pin	2
53	1722 285	Tie Rod	1
54	1714 213	Hub Cap	2
55	1722 303	Front Wheel and Tire Assy. (Incl. Ref. Nos. 56 thru 60)	2
56	1718 088	Grease Fitting	2
57	1722 305	Tire 3.50/4.10 x 6	2
58	1722 304	Wheel Assy. (Incl. Ref. No. 60)	2
59	1715 855	Valve Stem	2
60	1720 327	Bushing	4
61	1722 362	Hub Cap	2
62	1113 527	Retaining Ring	2
63	1722 306	Rear Wheel and Tire Assy. (Incl. Ref. Nos. 64 thru 66)	2
64	1722 307	Wheel Only	2
65	1722 308	Tire 4.80/4.00 x 8	2
66	1715 855	Valve Stem	2
67	1100 277	Woodruff Key 3/16 x 7/8	2
68	1182 554	Set Screw (510-01)	6
	1185 919	Set Screw (510-02)	6
69	1719 695	U-Bolt	2
70	1719 694	Saddle Clamp	2
71	1109 528	Hex Nut 5/16-24	4
72	1722 240	Support	1
73	1106 874	Capscrew 5/16-18 x 3/4	12
74	1722 402	Plate	1
75	1722 376	Support	1
76	1715 467	Snubber	2
77	1722 433	Seat Support	2
78	1722 435	Support	2
79	1722 434	Seat Rod	1
80	1703 011	Spring Cotter	6
81	1718 534	Handle Grip	1
82	1722 437	Seat	1
83	1722 453	Decal (Shift)	1
*84	1722 295	Lift Lever	1
*85	1722 292	Lift Shaft	1
*86	1722 408	Spacer	1
*87	1714 299	Nylon Bushing	2
*88	1104 333	Square Key 3/16 x 1	1
*89	1720 136	Quadrant	1
*90	1106 919	Capscrew 3/8-16 x 1	2
*91	1121 509	Hex Nut 3/8-16	2
*92	1722 298	Lift Lever Rod	1
*93	1713 075	Spring	1
*94	1714 644	Plunger	1
*95	1715 575	Handle Grip	1
*96	1721 977	Stud	2
*97	1107 385	Flat Washer 1/2	2
*98	1722 451	Spade Bolt	2
*99	1110 108	Lock Nut 3/8-16	2
*100	1717 920	Cold Shuts	2
*101	1722 452	Chain	2
*102	1722 409	Clevis Pin	2
103	1723 063	Decal Clutch Brake (510-02)	1
104	1717 973	Sponge Pad (510-02)	1
105	1723 132	Heat Shield (510-02)	1
106	1723 191	Shield (510-02)	1

* Note: Used only on Model 15103-01 Optional Lift Lever Kit.

MODELS 510-01 & 510-02



MODELS 510-01 & 510-02

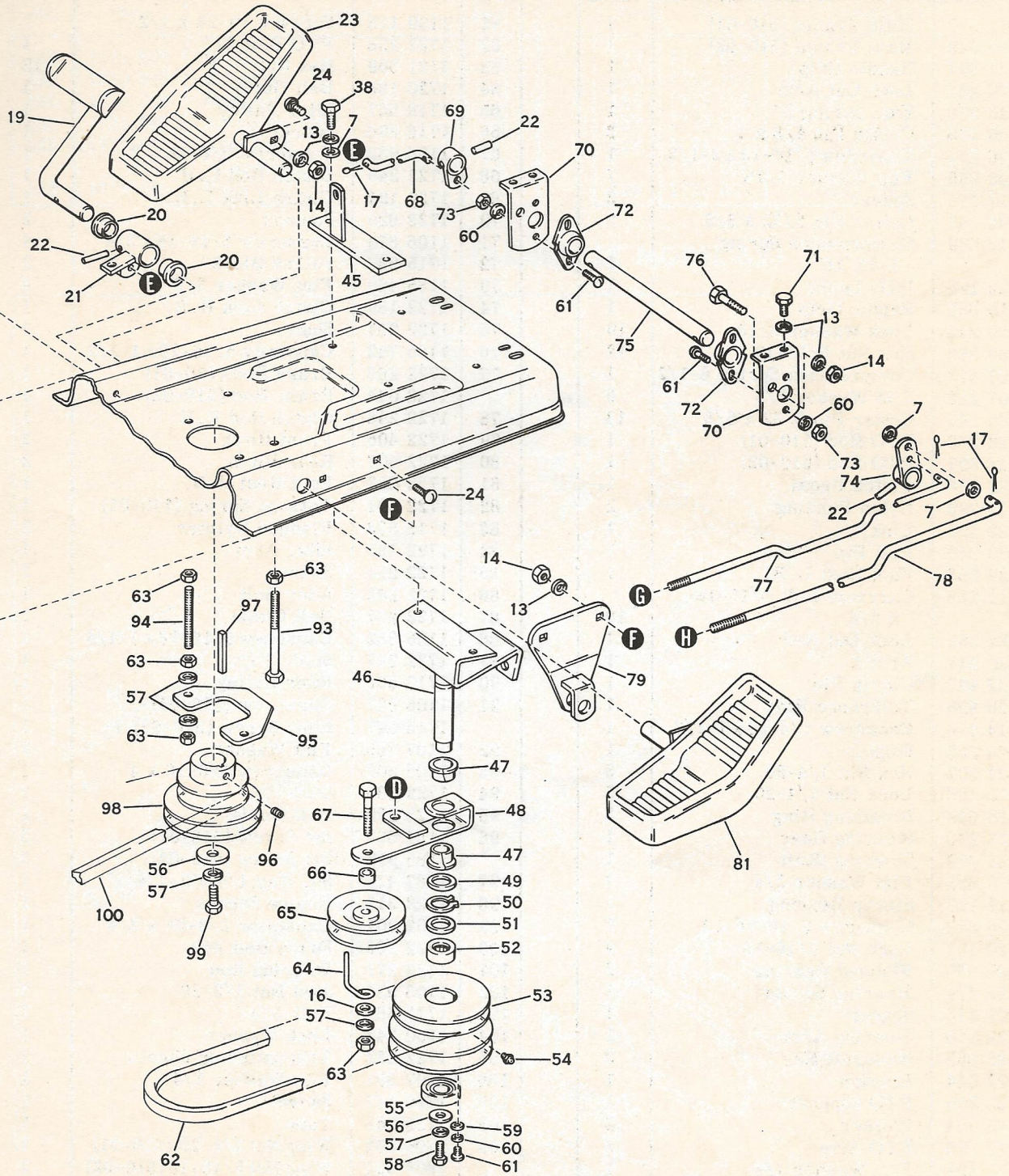


FIGURE 2

MODELS 510-01 & 510-02 (See Figure 2)

Ref. No.	Part No.	Description	No. Req'd.
1	1722 350	Main Frame (510-01)	1
	1723 049	Main Frame (510-02)	1
2	1721 897	Handle Grip	1
3	1722 221	Lock Out Arm	1
4	1720 928	Ext. Spring 2"	1
5	1100 350	Cotter Pin 1/8 x 1	3
6	1106 893	Capscrew 5/16-18 x 2-1/2	1
7	1100 255	Flat Washer 5/16	7
8	1717 176	Spacer	3
9	1185 147	Cotter Pin 3/32 x 5/8	2
10	1712 569	Compression Spring 1-11/16"	1
11	1722 195	PTO Lever	1
12	1715 685	Handle Grip	1
13	1100 242	Lock Washer 5/16	19
14	1182 563	Hex Nut 5/16-18	12
15	1707 413	Compression Spring 6-1/2	1
16	1107 383	Flat Washer 3/8	6
17	1185 147	Cotter Pin 3/32 x 5/8	13
18	1722 262	PTO Rod (510-01)	1
	1722 827	PTO Rod (510-02)	1
19	1722 224	Clutch Pedal	1
20	1714 299	Nylon Bushing	2
21	1722 199	Link	1
22	1120 210	Roll Pin	3
23	1722 253	Foot Rest L.H.	1
24	1111 265	Carriage Bolt 5/16-18 x 3/4	10
25	1722 256	Lock Out Rod	1
26	1722 217	Arm	1
27	1722 497	Clevis Pin	1
28	1722 496	Tolerance Ring	1
29	1114 474	Capscrew 1/4-20 x 1-1/2	1
30	1722 265	Stop	1
31	1121 507	Hex Nut 1/4-20	3
32	1110 106	Lock Nut 1/4-20	5
33	1185 649	Retaining Ring	3
34	1722 270	Steering Gear	1
35	1722 272	Steering Shaft	1
36	1700 821	Flat Washer 3/4	3
37	1711 198	Sleeve Bearing	1
38	1106 878	Capscrew 5/16-18 x 1	5
39	1110 107	Lock Nut 5/16-18	4
40	1185 035	Flanged Bearing	2
41	1722 274	Steering Support	1
42	1722 278	Spacer	1
43	1722 186	Steering Arm	1
44	1185 885	Woodruff Key	3
45	1722 244	Bracket	1
46	1722 259	PTO Support	1
47	1722 364	Nyliner	2
48	1722 196	PTO Arm	1
49	1709 401	Flat Washer 7/8	1
50	1185 889	Retaining Ring	1
51	1185 601	Oil Seal	1
52	1185 007	Needle Bearing	1
53	1722 264	PTO Sheave	1
54	1104 954	Grease Fitting	1
55	1120 502	Ball Bearing	1
56	1893 445	Flat Washer 3/8	2
57	1100 243	Lock Washer 3/8	11
58	1106 913	Capscrew 3/8-16 x 5/8	1
59	1103 959	Flat Washer # 10	3
60	1100 240	Lock Washer # 10	7

Ref. No.	Part No.	Description	No. Req'd.
61	1100 115	Screw # 10-24 x 1/2	7
62	1722 258	PTO Belt 31"	1
63	1121 509	Hex Nut	12
64	1720 188	Belt Guide	1
65	1710 567	Idler Pulley	1
66	1716 896	Spacer	1
67	1106 932	Capscrew 3/8-16 x 2	1
68	1722 249	Clutch Rod L.H.	1
69	1722 191	Clutch Link L.H.	1
70	1722 620	Support	2
71	1106 874	Capscrew 5/16-18 x 3/4	4
72	1715 939	Pillow Block	2
73	1185 460	Flat Washer 3/8	4
74	1722 189	Clutch Link R.H.	1
75	1722 251	Shaft	1
76	1185 742	Capscrew 5/16-18 x 1-1/2	1
77	1722 268	Brake Rod (510-01)	1
	1723 044	Brake Rod (510-02)	1
78	1722 248	Clutch Rod R.H.	1
79	1722 406	Front Hitch	2
80	1722 407	Rear Hitch	2
81	1722 252	Foot Rest R.H.	1
82	1722 401	Torsion Spring (510-01)	1
83	1715 538	Flanged Nyliner	2
84	1722 183	Idler Arm	1
85	1722 250	Swivel	1
86	1722 243	Idler Bolt	1
87	1722 237	Belt Guide	1
88	1106 882	Capscrew 5/16-18 x 1-1/4	1
89	1722 247	Stud	1
90	1710 566	Idler Pulley	1
91	1106 927	Capscrew (510-01)	1
	1715 947	Idler Screw (510-02)	1
92	1107 385	Flat Washer	2
93	1106 903	Capscrew 3/8-16 x 4	1
94	1722 236	Stud	2
95	1722 239	Belt Guide	1
96	1182 554	Set Screw (510-01)	3
	1185 919	Set Screw (510-02)	3
97	1187 474	Sq. Key 1/4 x 2-1/4	1
98	1722 312	Engine Sheave	1
99	1107 201	Capscrew 3/8-24 x 3/4	1
100	1722 238	Drive Belt 65"	1
101	1722 271	Steering Rod	1
102	1103 926	Jam Nut 1/2-20	2
103	1713 361	Ball Joint	1
104	1100 245	Lock Washer	1
105	1722 232	Transmission Sheave	1
106	1107 381	Flat Washer 1/4	1
107	1720 147	Swivel	1
108	1722 346	Tube	1
109	1709 652	Wing Nut 1/4-20 (510-01)	1
	1806 192	Wing Nut 5/16-18 (510-02)	1
110	1722 193	Brake Disc	1
111	1722 269	Brake Support	1
112	1100 241	Lock Washer 1/4	2
113		Transaxle Assy. (See figure No. 3)	1
114	1722 266	Brake Caliper Assy. (Incl. Ref. Nos. 115 thru 127)	1
115	1106 852	Capscrew 1/4-20 x 2	2
116	1719 565	Snap Ring	1
117	1719 564	Washer	1

SEE ABOVE NEXT PAGE

MODELS 510-01 & 510-02 (See Figure 2)

Ref. No.	Part No.	Description	No. Req'd.
118	1719 567	Spring	1
119	1719 563	Actuator	1
120	1719 562	Washer	1
121	1722 267	Actuating Cam	1
122	1719 561	Cam Side Carrier	1
123	1719 560	Puck	2

Ref. No.	Part No.	Description	No. Req'd.
124	1719 569	Rivet	4
125	1722 155	Spring	2
126	1719 559	Spacer	2
127	1719 558	Solid Side Carrier	1
128	1121 509	Hex Nut (510-01)	1
	1109 529	Hex Nut 3/8-24 (510-02)	1
129	1723 041	Torsion Spring (510-02)	1

PEERLESS TRANSAXLE MODEL 623

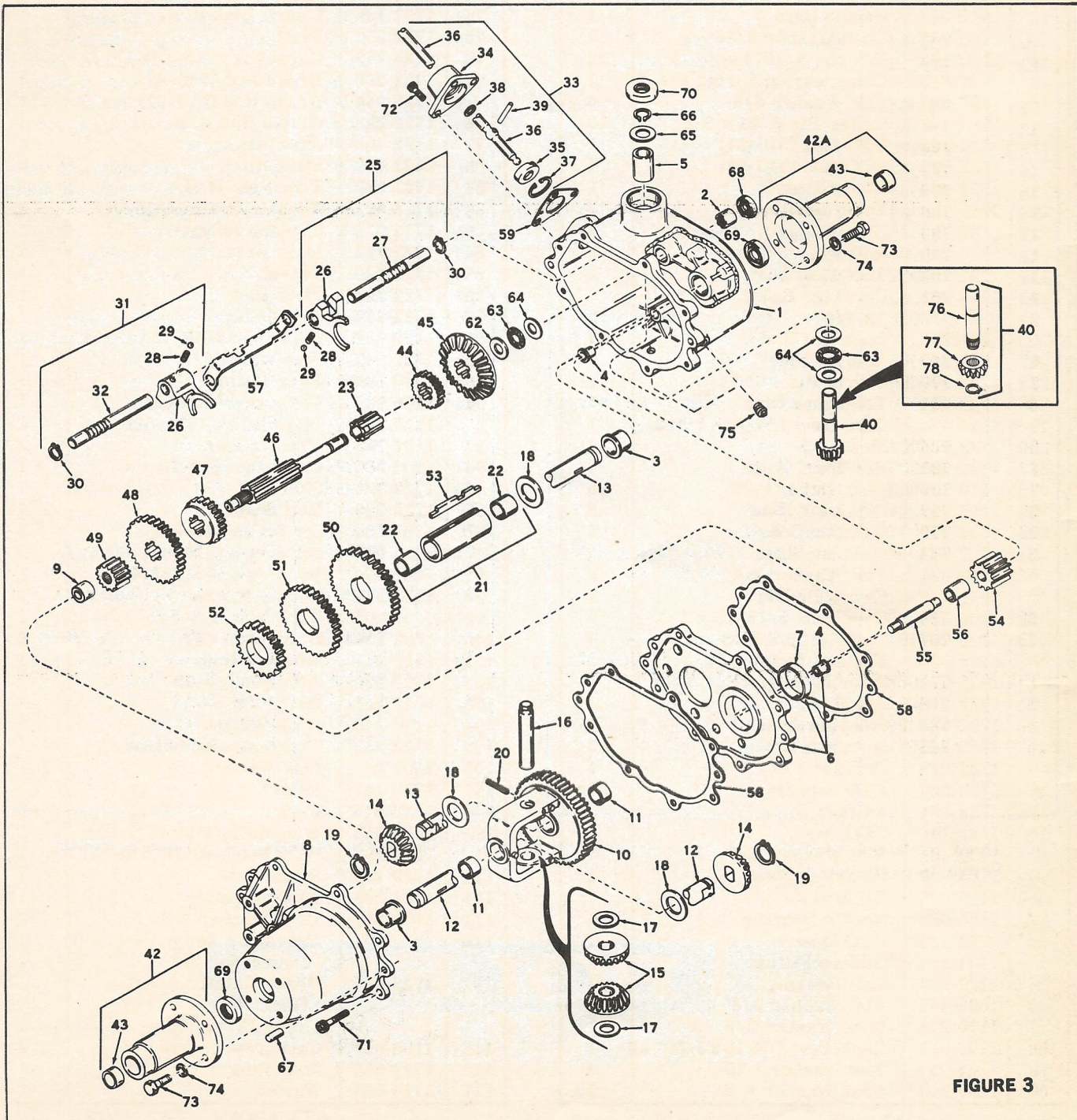


FIGURE 3

PEERLESS TRANSAXLE MODEL 623 (See Figure 3)

Ref. No.	Tecumseh Part No.	Description
1	770051	Case Assy., Transaxle (Incl. Nos. 2 thru 5)
2	780086	Bearing, Needle
3	780059	Bearing, Bronze
4	780060	Bearing, Bronze
5	780061	Bearing, Bronze
6	786033	Plate Assy., Center (Incl. Nos. 4 & 7)
7	780062	Bearing, Bronze
8	772042	Cover Assy., Transaxle (Incl. Nos. 3 & 9)
9	780063	Bearing, Needle
10	778053	Gear Assy., Differential (Incl. No. 11)
11	780064	Bearing, Bronze
12	774197	Axle, L. H.
13	774198	Axle, R. H.
14	778067	Gear, Bevel
15	778068	Pinion, Bevel
16	786034	Pin, Drive
17	780065	Washer, Thrust
18	780001	Washer, Thrust
19	788038	Ring, Snap
20	792040	Pin, Roll
21	786035	Sleeve Assy., Countershaft (Incl. No. 22)
22	780066	Bearing, Bronze
23	776090	Shaft, Idler
25	784079	Rod Assy., Shift (1st & Rev.) (Incl. Nos. 26 thru 30)
26	784004	Fork, Shift
27	784083	Rod, Shift
28	792003	Spring
29	792004	Ball, Steel
30	792017	Ring, Snap
31	784084	Rod Assy., Shift (2nd & 3rd) (Incl. Nos. 26, 28, 29, 30 & 32)
32	784085	Rod, Shift
33	784191	Lever & Housing Assy., Shift (Incl. Nos. 34 thru 39)
34	784088	Housing, Shift lever
35	784094	Keeper, Shift lever
36	784192	Lever, Shift
37	792016	Ring, Snap

Ref. No.	Tecumseh Part No.	Description
38	792001	Ring, Quad
39	792002	Pin, Roll
40	776055B	Shaft & Gear Assy., Input (Incl. Nos. 76, 77 & 78)
42	782031	Housing Assy., Axle (Incl. No. 43)
42A	782035	Housing Assy., Axle (Incl. No. 43)
43	780066	Bushing, Bronze
44	778024	Gear (16 teeth)
45	778057	Gear, Bevel (33 teeth)
46	776089	Shaft, Shifter & Brake
47	778058	Gear, Shifting (2nd & 3rd)
48	778059	Gear, Shifting (1st & Rev.)
49	778060	Gear, Spur (12 teeth)
50	778061	Gear, Countershaft drive (39 teeth)
51	778062	Gear, Countershaft (34 teeth)
52	778063	Gear, Countershaft (25 teeth)
53	792034A	Key, Countershaft
54	778064	Idler, Reverse
55	776057	Shaft, Reverse idler
56	786036	Spacer, Reverse idler
57	784087	Stop, Shifter
58	788033	Gasket, Case & Cover
59	788003	Gasket, Shift lever housing
62	780073	Washer, Thrust
63	780071	Bushing, Thrust
64	780072	Washer, Thrust
65	780096	Washer, Thrust
66	792035	Ring, Snap
67	786026	Pin, Dowel
68	788043	Seal, Oil
69	788009	Seal, Oil
70	788035	Seal, Oil
71	792036	Screw, Socket hd. cap, 1/4-20 x 1-1/4
72	792007	Screw, Socket hd. cap, 1/4-20 x 3/4
73	792037	Screw, Hex hd., 5/16-18 x 1
74	792029	Lockwasher, 5/16
75	792039	Plug, Pipe, 1/8
76	776100	Shaft, Input
77	778077	Pinion, Input
78	788040	Ring, Retaining

These parts not stocked by Bolens. Order from your local Tecumseh Products Co., Lauson-Power Products parts outlet.



BOLENS

PORT WASHINGTON, WISCONSIN, U.S.A.