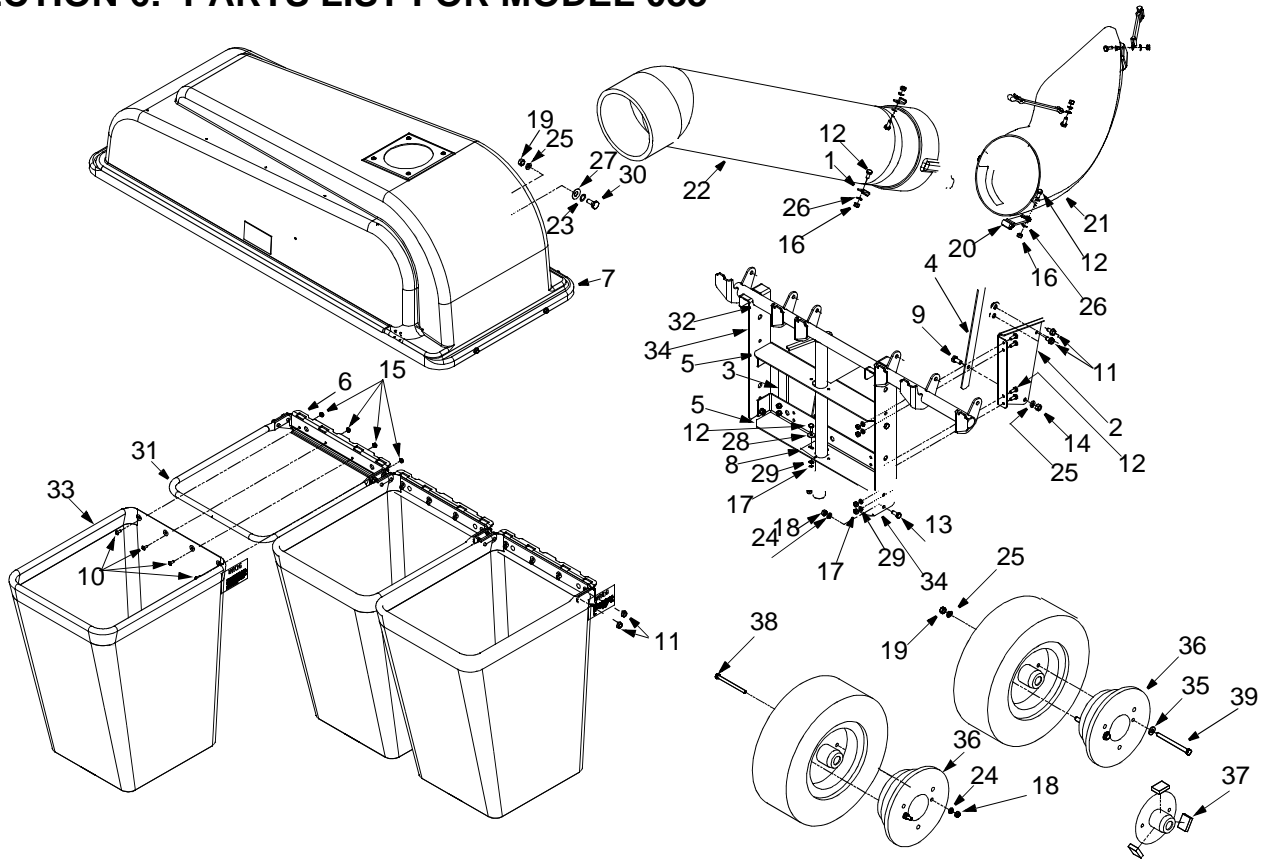


SECTION 6: PARTS LIST FOR MODEL 083

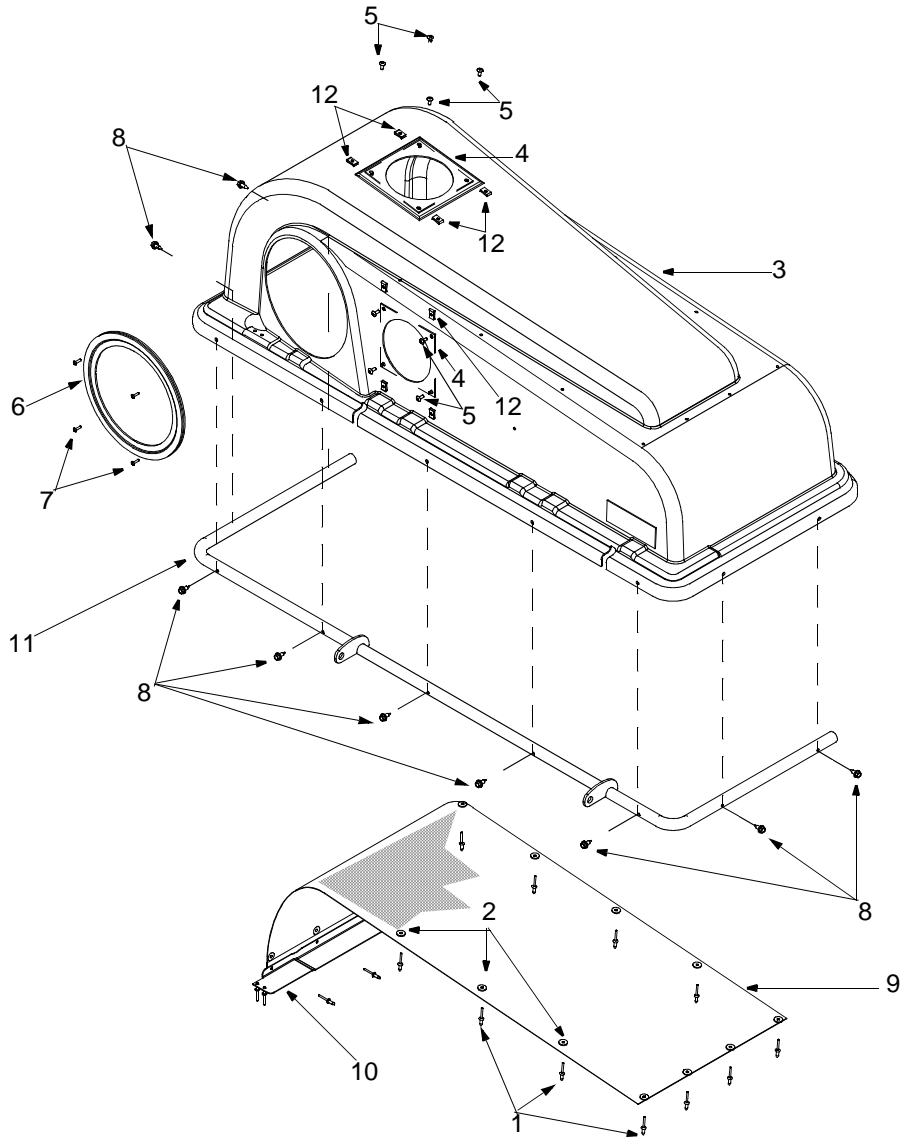


Ref. No.	Part No.	Description	Qty.	Ref. No.	Part No.	Description	Qty.
1.	16606	Retainer Hook Bracket	2	21.	731-0925B	Discharge Chute	1
2.	17190	Support Bracket: RH	1	22.	731-0926	Elbow Tube	1
3.	17191	Support Bracket: LH	1	23.	736-0108	Flat Washer	2
4.	17192	Retainer Bracket Assembly	2	24.	736-0119	Lock Washer †	4
5.	17200A	Catcher Support Bracket	2	25.	736-0169	Lock Washer †	4
6.	17201A	Bag Frame Hanger Bracket	3	26.	736-0175	Spring Washer	5
7.	17204	Catcher Assembly: Cover	1	27.	736-0255	Bell Washer	2
8.	17247	Support Tube Bracket	1	28.	736-0270	Bell Washer	1
9.	710-0180	Hex Screw: 3/8-24 x .75" Gr.5	2	29.	736-0329	Lock Washer	9
10.	710-0473	Machine Screw: 310-24 x 0.5"	12	30.	738-0380	Shoulder Screw	2
11.	710-0604	TT Screw: 5/16-18 x 0.625"	16	31.	749-0745A	Frame Tube	3
12.	710-0751	Hex Screw: 1/4-20 x .620"	14	32.	749-0750	Support Tube Assembly	1
13.	710-3008	Hex Screw: 5/16-18 x .75"	4	33.	764-0251	Catcher Bag	3
14.	712-0241	Hex Nut: 3/8-24	2	34.	783-0601	Support Bracket	2
15.	712-0272	Sems Nut: 10-24	12	35.	736-0300	Flat Washer †	4
16.	712-0324	Hex Lock Nut	5	36.	723-0414B	Wheel Weight: 20 lb.	2
17.	712-3006	Hex Nut: 1/4-20	9	37.	722-0157	Foam Strip †	6
18.	712-3010	Hex Nut: 5/16-18 ‡	4	38.	710-0190	Hex Screw: 5/16-18 x 4" Gr.5 ‡	4
19.	712-3017	Hex Nut: 3/8-16 Gr.8 †	2	39.	710-0693	Hex Screw: 3/8-16 x 4.5" Gr.5 †	4
20.	723-0383	Retainer Strap	3				

† Only on wheels with 8-inch rim

‡ Only on wheels with 6-inch rim

Grass Catcher Cover Assembly



Ref. No.	Part No.	Description
1.	728-0123	Pop Rivet
2.	736-0400	Flat Washer 1/4" I.D.
3.	731-0896	Grass Catcher Cover
4.	731-0824A	Plastic Plate
5.	710-0473	Truss Machine Screw #10 x 0.5" Lg.
6.	723-0413	Tube Seal
7.	710-0936	Truss AB-Tap Screw #6 x 0.6"
8.	710-0896	Hex AB Screw 1/4-14 x 0.625"
9.	723-0407	Screen
10.	17202	Screen Mounting Bracket
11.	749-0747	Hinge Bracket Assembly
12.	712-0147	Speed Nut #10-24 U Type