

Bolens

**Riding Mower
28 Inch**

**Models 828
829**

Serial Numbers 0100101
thru 0399999

Parts List

BOLENS 28 INCH RIDING MOWER

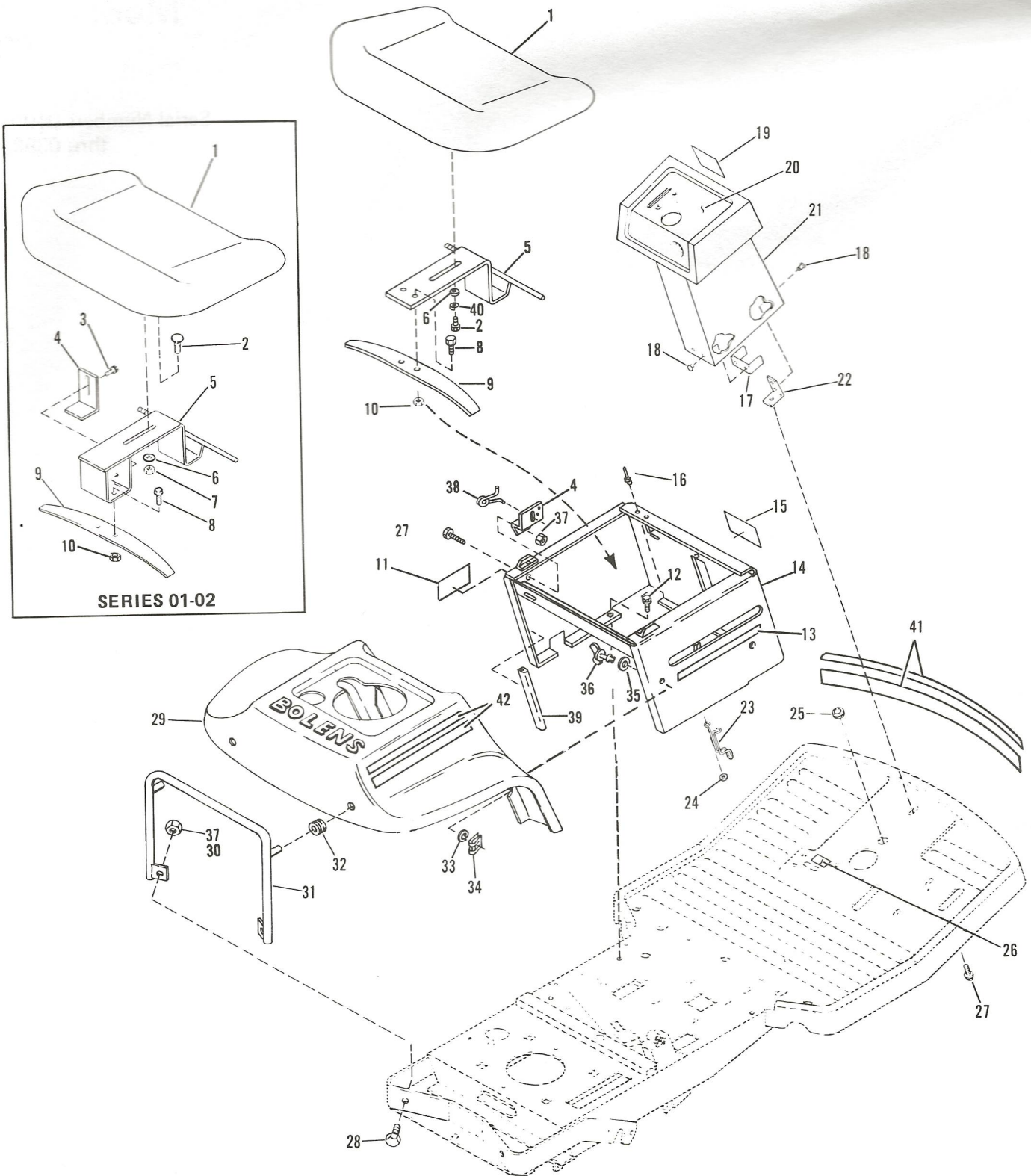


Figure 1. TRIM ASSEMBLY

REF. NO.	PART NO.	DESCRIPTION	NO. REQ'D.	REF. NO.	PART NO.	DESCRIPTION	NO. REQ'D.
1	1724225	Seat (1)(2)	1	21	1726332	Console, Front	1
	1734222	Seat (3)	1	22	1724220	Angle	1
2	● 1186182	Bolt, Carriage, 1/2 - 13 x 1-1/4 (1)	1	23	1724213	Clamp, Wire	1
	● 1100054	Screw, Hex Hd. Cap, 1/2 - 13 x 1 (2)	1	24	● 1805365	Flat Washer, 5/32	2
3	1185136	Screw, Sems No. 10 - 32 x 3/8 (1)	2	25	1724882	Grommet (1)	1
4	1724226	Arm, Switch (1)	1		1729587	Snap Bushing (2)(3)	1
	1729578	Support, Switch (2)(3)	1	26	1727402	Decal (Brake Lock)	1
5	1724224	Support, Seat (1)	1	27	1186327	Flange Screw, 5/16 - 18 x 1/2	3
	1729407	Support, Seat (2)	1	28	● 1100045	Hex Hd. Capscrew, 5/16 - 18 x 1	2
	1734221	Support, Seat (3)	1	29	1725830	Cover, Rear (1)(2)	1
6	● 1107385	Flat Washer, 1/2	1		1734889	Cover, Rear (3)	1
7	● 1110110	Lock Nut, 1/2 - 13 (1)	1	30	● 1186230	Hex Nut, 5/16 - 18 (1)	2
8	1186345	Flange Screw, 3/8 - 16 x 3/4	2	31	1726397	Stand	1
9	1724227	Spring, Leaf	1	32	1805375	Grommet	2
10	1186393	Flange Nut, 3/8 - 16	2	33	1717908	Retainer, Latch	2
11	1727403	Decal (Mower Blade)	1	34	1717907	Receptacle, Clip On	2
12	1724845	Flange Screw, Dog Pt. 1/4 - 20 x 1/2	6	35	● 1107382	Flat Washer, 5/16	2
13	1728835	Decal (Shift)	1	36	1717909	Latch, Wing	2
14	1726285	Panel Assembly (1)	1	37	1186391	Flange Nut 5/16 - 18	3
	1729411	Panel Assembly (2) (3)	1	38	1729339	Torsion Spring (2)(3)	1
15	1727404	Decal (Mower Lift)	1	39	1729582	Trim (2) (3)	1
16	1801200	Rivet, Pop 5/32 x 3/8	2	40	● 1100245	Lockwasher 1/2 (2) (3)	1
17	1724228	Support, Console	1	41	1732607	Decal (Accent) (2) (3)	1
18	1185879	Rivet, Pop 3/16 x 1/2	4	42	1732608	Decal (Accent) R.H. (2) (3)	1
19	1727400	Decal (Logo) (Model 828)	1		1732777	Decal (Accent) L.H. (2) (3)	1
	1727484	Decal (Logo) (Model 829)	1	N.I.	1735224	Spray Paint, Aztec Gold	
20	1727401	Decal (Operating Instructions) (1)	1	N.I.	1735223	Spray Paint, White	
	1732786	Decal (Operating Instructions) (2) (3)	1	N.I.	1735222	Spray Paint, Black	

(1) Serial Number 0100101 thru 0199999

(2) Serial Number 0200101 thru 0299999

(3) Serial Number 0300101 and up

● Common Hardware - Purchase Locally (Grade 5 where applicable).

N.I. Not Illustrated

BOLENS 28 INCH RIDING MOWER

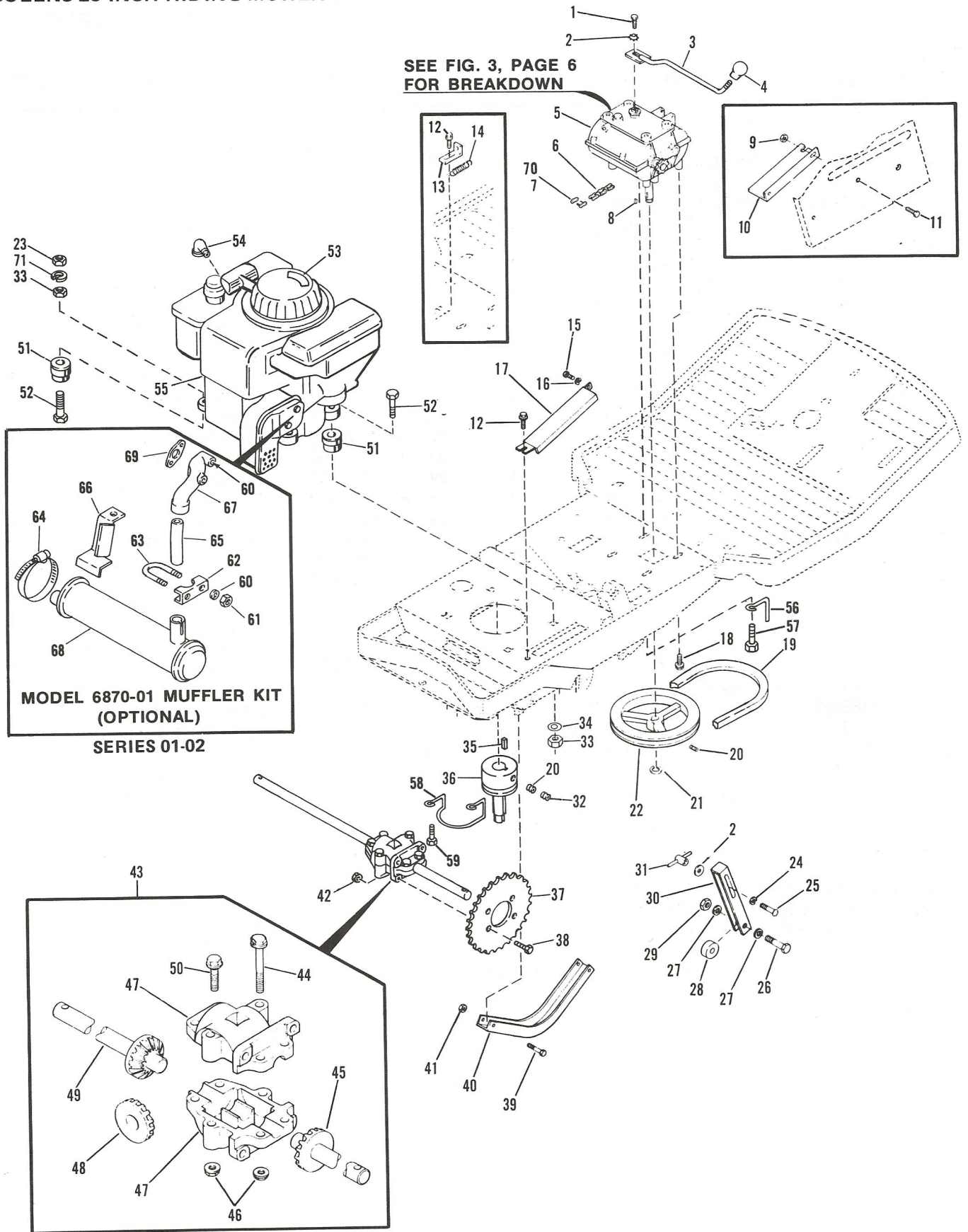


Figure 2. ENGINE AND DRIVE ASSEMBLY

REF. NO.	PART NO.	DESCRIPTION	NO. REQ'D.	REF. NO.	PART NO.	DESCRIPTION	NO. REQ'D.
1	● 1100004	Capscrew, 5/16-24 x 3/4 . . .	1	40	1724265	Chain Guard (Lower)	1
2	1185714	Lockwasher, 5/16 Pyram.	2	41	● 1110106	Lock Nut, 1/4 - 20	2
3	1725800	Shift Lever	1	42	● 1186393	Flange Nut, 5/16- 18	4
4	1724231	Shift Knob	1	43	1726297	Differential Assy. (Incl. Ref. Nos. 44 thru 50)	1
5	*	Peerless Transmission Ass'y..	1	44	1724335	Bolt (Special)	2
6	1724259	Drive Chain	1	45	1726294	Gear and Axle, R.H.	1
7	1185013	Connector Link	1	46	1724337	Flange Nut (Special)	6
8	1104436	Woodruff Key, 3/16 x 3/4	1	47	1724334	Differential Housing	2
9	1186389	Flange Nut, 1/4 - 20 (1)	2	48	1724338	Miter Gear	2
10	1724263	Chain Guard (1)	1	49	1726293	Gear and Axle, L.H.	1
11	● 1100804	Capscrew, 1/4 - 20 x 1/2 (1)	2	50	1724333	Bolt (Special)	4
12	● 1724845	Flange Screw, 1/4 - 20x1/2	2	51	1726278	Engine Mount (1)(2)	4
13	1724321	Spring Bracket (1)	1		1734894	Engine Mount (3)	4
14	1713099	Extension Spring (1)	1	52	● 1111608	Capscrew, 5/16 - 18 x 2-1/2	4
15	● 1111598	Capscrew, 1/4 - 20 x 3/8	1	53	1727433	Decal, 8 H.P.	1
16	● 1100241	Lockwasher, 1/4	4	54	1105029	Elbow, 90 ^o , 3/8 NPT (1)	1
17	1724264	Chain Guard (Upper)	1	55	*	Tecumseh Engine, VM80 150051 (Model 828) (1)(2)	1
18	● 1186329	Flange Screw, 5/16 - 18 x 3/4	3		*	Tecumseh Engine VM80 150037A (Model 829) (1)(2)	1
19	1724261	V-Belt, 51 - 1/4" (1)	1		*	Briggs & Stratton Engine No. 190702 (Model 828) (3)	1
	1731719	V-Belt (2) (3)	1		*	Briggs & Stratton Engine No. 190705 (Model 829) (3)	1
20	● 1185596	Set Screw, 5/16 - 18 x 5/16	3	56	1728938	Belt Guide (2)(3)	1
21	1118808	Retaining Ring	1	57	● 1186330	Capscrew, 5/16-18 x 7/8	1
22	1726668	Sheave (1)	1	58	1729405	Belt Guide (2)	1
	1722232	Sheave (2) (3)	1		1733379	Belt Guide (3)	1
23	● 1186230	Hex Nut, 5/16-18 (3)	1	59	● 1186327	Flange Screw, 5/16-18 x 1/2 (2)	2
24	● 1177548	Lockwasher, 5/16	1		MODEL 6870-01 MUFFLER KIT		
25	● 1186074	Carriage Bolt, 1/4 - 20 x 1-1/2	1	60	● 1100242	Lockwasher, 5/16 (1)(2)	4
26	● 1100067	Capscrew, 1/2 - 13 x 2	1	61	● 1186230	Hex Nut, 5/16 - 18 (1)(2)	2
27	1704078	Spacer	2	62	1717979	Clamp (1)(2)	1
28	1724258	Roller	1	63	1717980	"U" Bolt (1)(2)	1
29	● 1186261	Jam Nut, 1/2 - 13	1	64	1724325	Clamp (1)(2)	1
30	1724262	Roller Support	1	65	1726648	Pipe Nipple (1)(2)	1
31	1714373	Wing Nut	1	66	1726649	Muffler Support (1)(2)	1
32	● 1185657	Set Screw, 5/16-18 x 5/32 (1)(2)	1	67	1726651	Exhaust Elbow (1)(2)	1
	● 1103470	Set Screw, 5/16-18 x 1/2 (3)	1	68	1728024	Muffler (1)(2)	1
33	● 1110107	Lock Nut, 5/16 - 18	4	69	1728141	Gasket (1)(2)	1
34	1893632	Bowed Washer	4	70	182087	Half Link (3)	1
35	1104336	Square Key, 1/4 x 1	1	71	● 1100242	Lockwasher, 5/16 (3)	1
36	1724269	Pulley and Shaft (1)	1				
	1731409	Pulley and Shaft (2)	1				
	1734892	Pulley and Shaft (3)	1				
37	1724266	Sprocket, 48 T	1				
38	● 1186331	Flange Screw, 5/16- 18 x 1	4				
39	● 1100807	Capscrew, 1/4 - 20 x 2	2				

- (1) Serial Number 0100101 thru 0199999
- (2) Serial Number 0200101 thru 0299999
- (3) Serial Number 0300101 and up

*Purchase parts from your Tecumseh, Lauson-Power Products Outlet.
 *Purchase parts from your Briggs & Stratton Outlet.

● Common Hardware - Purchase Locally (Grade 5 where applicable).

BOLENS 28 INCH RIDING MOWER

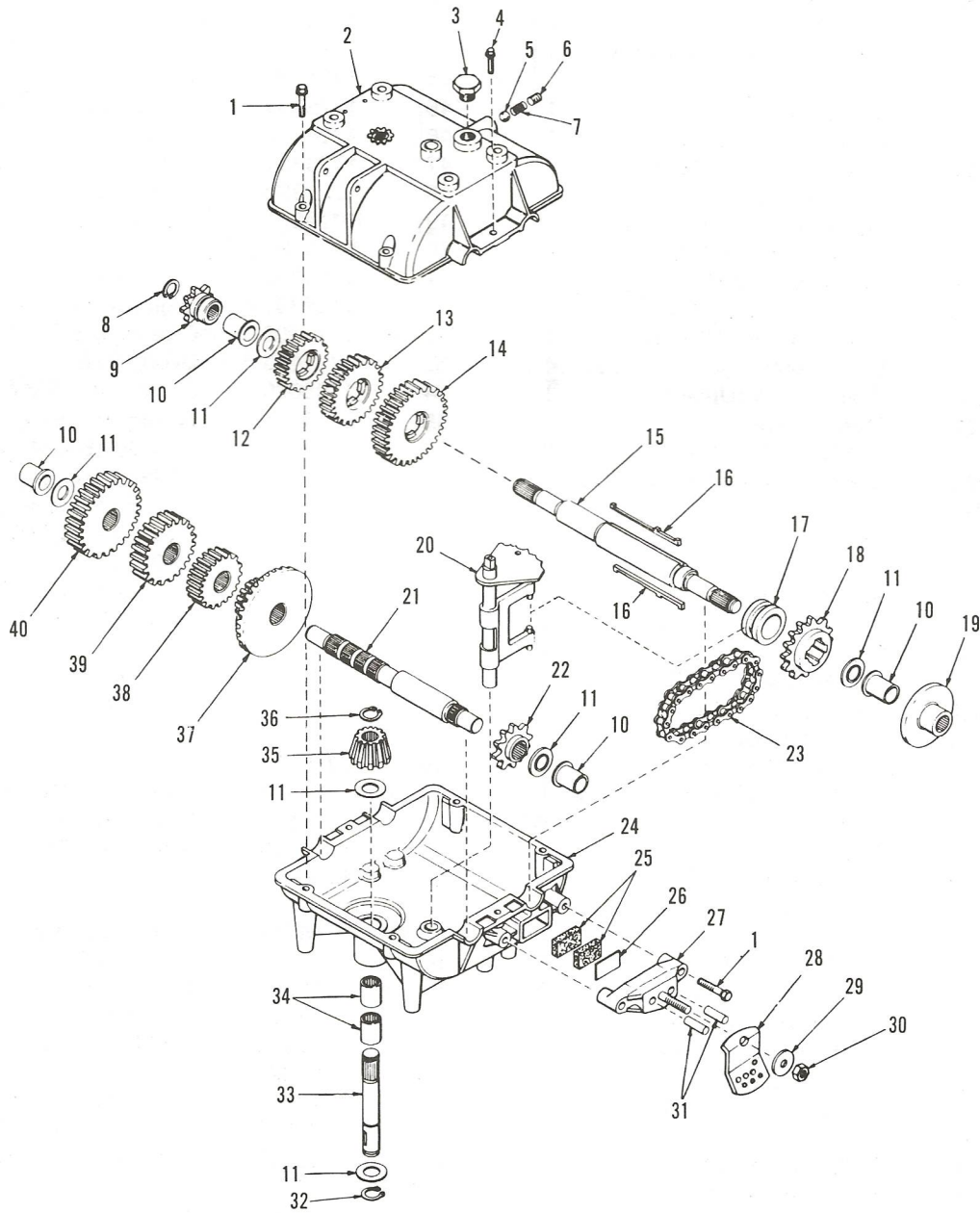


Figure 3. PEERLESS TRANSMISSION (MODEL 503)

(Model 503) Serial Numbers 0100101 thru 0199999

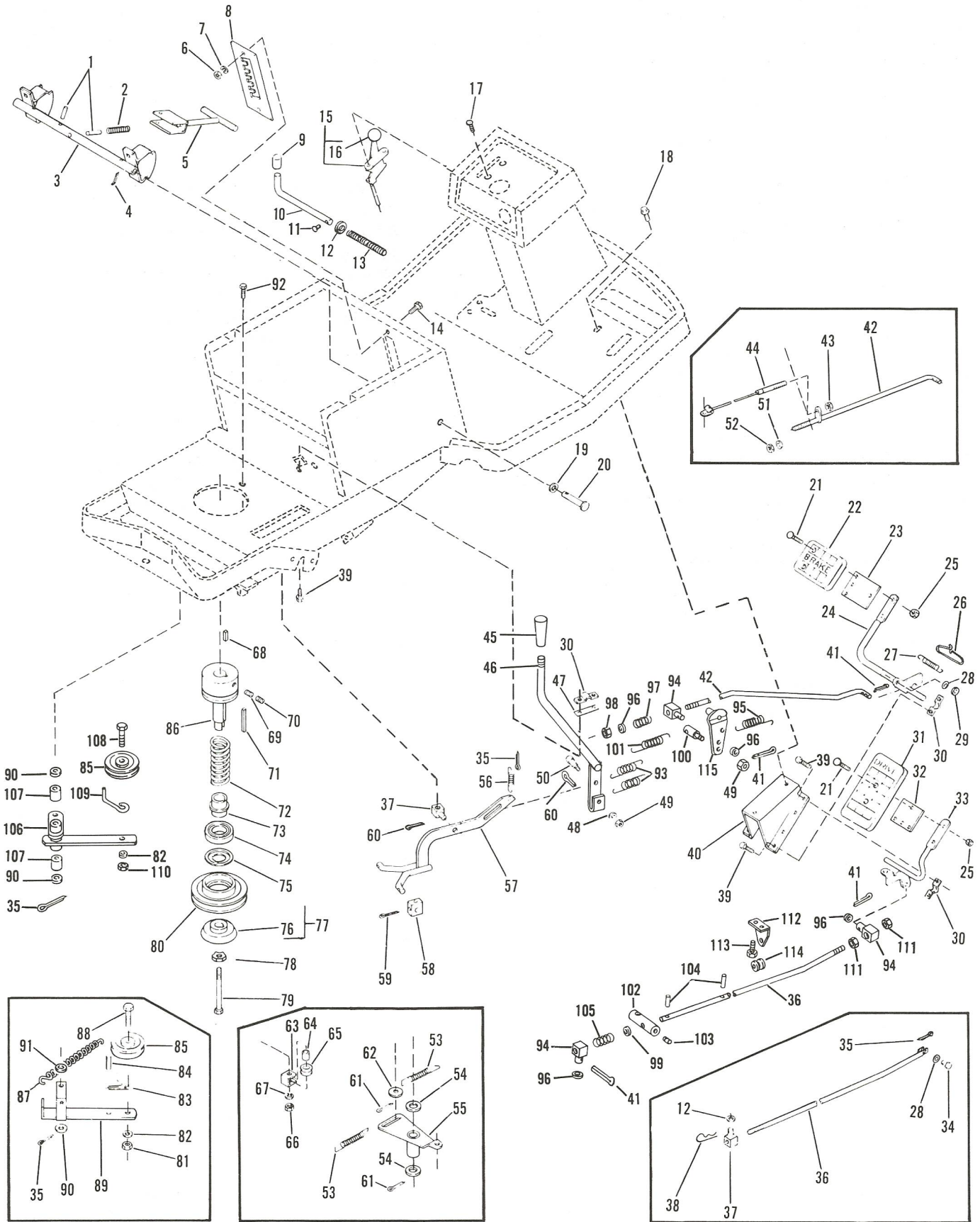
(Model 521) Serial Numbers 0200101 and up

REF. NO.	PART NO.	DESCRIPTION	NO. REQ'D.	REF. NO.	PART NO.	DESCRIPTION	NO. REQ'D.
1	792073	Screw, 1/4 - 20 x 1-1/4 Hex Head Tap-tite		23	786062	Chain, Roller (No. 41 Chain, 22 Links)	
2	772070	Cover, Transmission		24	770061	Case, Transmission	
3	792074	Plug		25	790006	Pad, Brake	
4	792059	Screw, 1/4 - 20 x 3/4 Hex Head Tap-tite		26	790007	Plate, Brake Pad	
5	792077	Ball, 5/16" Steel		27	720005	Holder, Brake Pad (1)	
6	792078	Screw, 3/8 - 16 x 3/8 Set . .			790020	Holder, Brake Pad (2)	
7	792079	Spring		28	790011	Lever, Brake (1)	
8	792072	Ring, Retaining			790021	Lever, Brake (2)	
9	786047	Sprocket (8 teeth)		29	792076	Washer, 5/16 Flat (1)	
10	780105	Bushing, Flanged		30	792075	Nut, 5/16 - 24 Lock (1) . .	
11	780072	Race, Thrust		31	786026	Pin, Dowel	
12	778105	Gear, Spur (20 teeth)		32	792035	Ring, Retaining	
13	778106	Gear, Spur (25 teeth)		33	776143	Shaft, Input	
14	778107	Gear, Spur (30 teeth)		34	780106	Bearing, Needle	
15	776144	Shaft, Output and Brake . .		35	778113	Bevel Pinion, Input	
16	792071	Key		36	788040	Ring, Retaining	
17	784216	Collar, Shift		37	778109	Gear, Bevel (42 Tooth and 15 Tooth Spur Gear) . .	
18	786060	Sprocket (14 teeth)		38	778110	Gear, Spur (20 teeth)	
19	790003	Disk, Brake		39	778111	Gear, Spur (25 teeth)	
20	784224	Rod and Fork Assembly, Shifter		40	778112	Gear, Spur (30 teeth)	
21	776134	Shaft, Counter					
22	786061	Sprocket (10 teeth)					

Purchase Parts From Your Tecumseh, Lauson - Power Products Outlet.

- (1) Serial Number 0100101 thru 0199999
- (2) Serial Numbers 0200101 and up

BOLENS 28 INCH RIDING MOWER



8 Figure 4. HAND CONTROLS, LIFT AND BRAKE CONTROLS

MODELS 828 & 829

REF. NO.	PART NO.	DESCRIPTION	NO. REQ'D.	REF. NO.	PART NO.	DESCRIPTION	NO. REQ'D.
1	1185348	Drive Pin, 1/4 x 1-1/4.	2	59	• 1100352	Cotter Pin, 1/8 x 1-1/2.	2
2	1724145	Compression Spring.	1	60	• 1100346	Cotter Pin, 3/32 x 3/4.	2
3	1724139	Mower Lift Tube.	1	61	• 1100351	Cotter Pin, 1/8 x 1-1/4 (1).	2
4	• 1100351	Cotter Pin, 1/8 x 1-1/4.	2	62	1720883	Washer (Special) (1).	1
5	1724144	Lift Pivot.	1	63	1724303	Cable Guide (1).	1
6	• 1186230	Hex Nut, 5/16-18.	2	64	1185527	Bearing (1).	1
7	• 1100242	Lockwasher, 5/16.	2	65	1715978	Cable Pulley (1).	1
8	1724147	Quadrant.	1	66	• 1186229	Hex Nut, 1/4-20 (1).	1
9	1724230	Grip.	3	67	• 1100241	Lockwasher, 1/4 (1).	1
10	1724305	Brake Lock Rod.	1	68	• 1104336	Square Key, 1/4 x 1.	1
11	1724751	Drive Screw, No. 8 x 3/8.	1	69	1185596	Set Screw, 5/16-18 x 5/16 (1)(2).	1
12	1707397	Special Washer.	2	70	1185657	Set Screw, 5/16-18 x 5/32 (1)(2).	1
13	1706930	Compression Spring.	1		1103470	Set Screw, 5/16-18 x 1/2 (3).	1
14	• 1100044	Capscrew, 5/16-18 x 3/4.	2	71	1724193	Key, 3/16 x 1/4 x 2-1/4.	1
15	1724254	Throttle Control (1)(2).	1	72	1724189	Compression Spring.	1
	1734893	Throttle Control (3).	1	73	1724195	Retainer.	1
16	1724242	Knob Only (1).	1	74	1724194	Ball Bearing.	1
	1724527	Knob Only (2)(3).	1	75	1724196	Slinger.	1
17	• 1724255	Phil. Hd. Screw, 1/4-20 x 1/2.	2	76	1724179	Clutch Facing.	1
18	1186327	Flange Screw, 5/16-18 x 1/2.	2	77	1724180	Clutch Assy. (Incl. Ref. No. 76).	1
19	• 1890234	Flat Washer, 1/2.	2	78	1724034	Lockwasher, 3/8 (Pyramidal) (1)(2).	1
20	1708336	Clevis Pin.	2		1734876	Lockwasher, 7/16 (Pyramidal) (3).	1
21	• 1186073	Carriage Bolt, 1/4-20 x 1-1/4.	4	79	1100013	Capscrew, 3/8-24 x 4-1/2 (1)(2).	1
22	1724309	Brake Pedal.	1		1734889	Capscrew, 7/16-20 x 4-1/2 (3).	1
23	1724418	Spacer.	1	80	1724199	Sheave.	1
24	1724298	Brake Lever.	1	81	1186231	Hex Nut, 3/8-16 (1).	1
25	1186389	Flange Nut, 1/4-20.	4	82	1100243	Lockwasher, 3/8.	1
26	1724961	Link.	1	83	1724883	Belt Guide (1).	1
27	1724191	Extension Spring.	1	84	1891696	Drive Pin, 5/16 x 1-1/2 (1).	1
28	1724892	Bowed Washer, 3/8 (1).	2	85	1710567	Idler Pulley.	1
29	• 1107383	Flat Washer, 3/8.	1	86	1724269	Pulley and Shaft (1).	1
30	1724190	Clamp.	6		1731409	Pulley and Shaft (2).	1
31	1724310	Drive and Clutch Pedal.	1		1734892	Pulley and Shaft (3).	1
32	1724798	Spacer.	1	87	1714279	Extension Spring (1).	1
33	1724300	Drive and Clutch Lever.	1	88	1724308	Capscrew (Special) 3/8-16 x 2 (1).	1
34	1724313	Clevis Pin (1).	1	89	1724284	Idler Arm (1).	1
35	• 1100350	Cotter Pin, 1/8 x 1.	3	90	• 1107385	Flat Washer, 1/2.	2
36	1724291	Clutch Rod (1).	1	91	• 1100257	Flat Washer, 1/2 (1).	1
	1727697	Clutch Rod (2)(3).	1	92	• 1100069	Capscrew, 1/4-20 x 1 (1).	1
37	1724188	Stud.	2	93	1725826	Extension Spring (Model 828).	1
38	1717897	Spring Clip (1).	1		1725826	Extension Spring (Model 829).	2
39	1724845	Flange Screw, 1/4-20 x 1/2.	12	94	1727694	Pivot (2)(3).	3
40	1724295	Support.	1	95	1728906	Extension Spring (2)(3).	1
41	• 1100356	Cotter Pin, 3/32 x 1.	4	96	• 1107383	Flat Washer, 3/8 (2)(3).	2
42	1724311	Brake Rod (1).	1	97	1728907	Compression Spring (2)(3).	1
	1729404	Brake Rod (2)(3).	1	98	• 1110108	Locknut, 3/8-16 (2)(3).	1
43	• 1110106	Locknut, 1/4-20 (1).	1	99	• 1890945	Flat Washer, 3/8 (2)(3).	2
44	1724304	Wire Rope (1).	1	100	1729402	Spring Anchor (2)(3).	1
45	1724241	PTO Handle.	1	101	1728905	Extension Spring (2)(3).	1
46	1724187	PTO Lever (1).	1	102	1729403	Spring Anchor (2)(3).	1
	1728930	PTO Lever (2)(3).	1	103	1185596	Set Screw, 5/16-18 x 5/16 (2)(3).	1
47	1724208	Strip.	2	104	1185479	Roll Pin, 3/32 x 5/8 (2)(3).	2
48	• 1891733	Flat Washer, 3/8.	1	105	1728908	Compression Spring (2)(3).	1
49	• 1110107	Locknut, 5/16-18.	2	106	1727693	Idler Arm (2)(3).	1
50	1724209	Shoulder Screw.	1	107	1715538	Nylon Bearing (2)(3).	2
51	1724301	Pivot (1).	1	108	1724308	Special Screw, 3/8-16 x 2 (2)(3).	1
52	• 1185345	Locknut, 3/8-16 (1).	1	109	1729780	Belt Guide (2)(3).	1
53	1724307	Extension Spring (1).	2	110	• 1186231	Hex Nut, 3/8-16 (2)(3).	1
54	• 1107387	Flat Washer, 3/4 (1).	2	111	• 1186259	Jam Nut, 3/8-16 (2)(3).	2
55	1724287	Cam (1).	1	112	1728935	Bracket (2)(3).	1
56	1892471	Extension Spring.	1	113	1186309	Flange Screw, 1/4-20 x 5/8 (2)(3).	2
57	1724183	Lever.	1	114	1185585	Flip Grommet (2)(3).	1
58	1724192	Brake Block.	2	115	1729399	Brake Arm Assy.	1

(1) Serial Number 0100101 thru 0199999

(2) Serial Number 0200101 thru 0299999

(3) Serial Number 0300101 and up

• Common Hardware - Purchase Locally (Grade 5 where applicable)

BOLENS 28 INCH RIDING MOWER

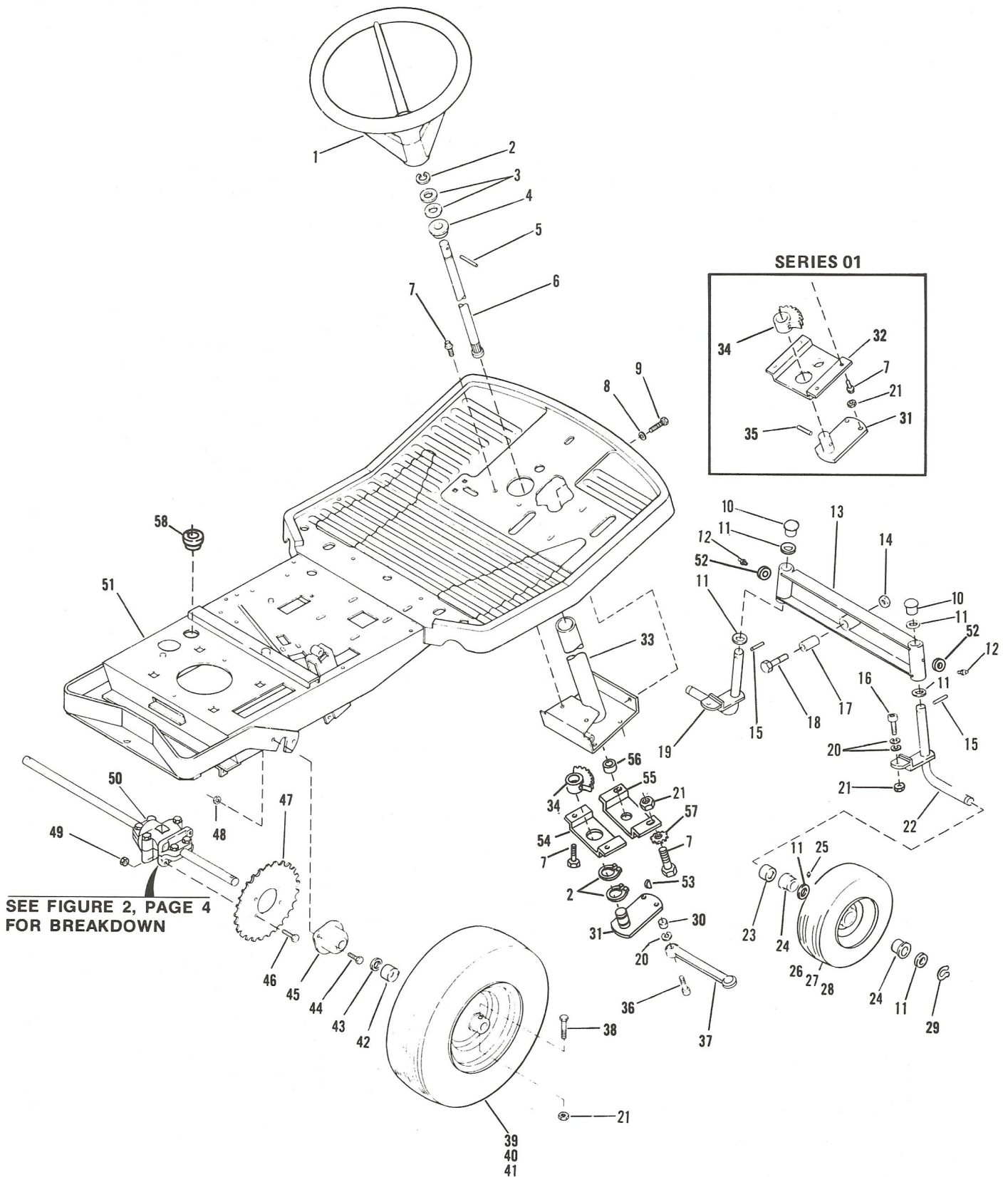


Figure 5. FRAME, STEERING AND AXLE ASSEMBLIES

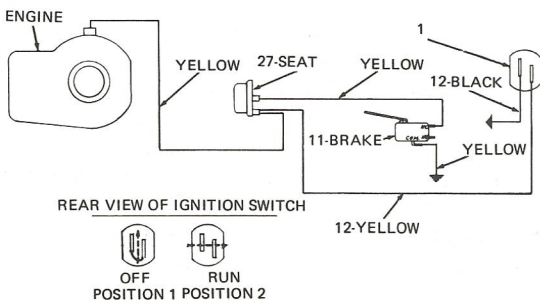
REF. NO.	PART NO.	DESCRIPTION	NO. REQ'D.	REF. NO.	PART NO.	DESCRIPTION	NO. REQ'D.
1	1727418	Steering Wheel	1	32	1723992	Gear Retainer (1)	1
2	1185649	Retaining Ring	3	33	1725529	Steering Column	1
3	1708012	Thrust Washer	2	34	1723991	Steering Gear (1)	1
4	1723994	Steering Bearing	1		1729396	Steering Gear (2) (3)	1
5	1185279	Roll Pin, 1/4 x 2-1/4	1	35	1182512	Roll Pin, 3/8 x 1-1/2 (1)	1
6	1725531	Steering Shaft (1)	1	36	● 1112293	Socket Hd. Screw, 5/16 - 18 x 1-1/2	2
	1728933	Steering Shaft (2) (3)	1				
7	● 1186327	Flange Screw, 5/16-18x 1/2	6	37	1723993	Tie Rod	2
8	● 1107382	Flat Washer, 5/16	2	38	● 1723995	Capscrew, 5/16 - 18 x 2	2
9	● 1111608	Capscrew, 5/16 - 18 x 2-1/2	2	39	1726309	Wheel Only (1)	2
10	1726353	Axle Limiter	2		1730204	Wheel Only (2)	2
11	1708550	Flat Washer	8	40	1726307	Tire 16/6.50 x 8	2
12	1185803	Grease Fitting	2	41	1718086	Valve Stem	1
13	1723924	Front Axle	1	42	1726287	Spacer (1)	2
14	● 1110110	Lock Nut, 1/2 - 13	1	43	1700821	Thrust Washer	4
15	1185348	Roll Pin, 1/4 x 1-1/4	2	44	● 1100069	Capscrew, 3/8 - 16 x 1	4
16	● 1185918	Socket Hd. Screw, 5/16 - 18 x 1	2	45	1715941	Pillow Block Bearing	2
17	1723925	Pivot Spacer	1	46	● 1186331	Flange Screw, 5/16 - 18 x 1	4
18	● 1100075	Capscrew, 1/2 - 13 x 2-1/4	1	47	1724266	Sprocket 48 T	1
19	1723980	Spindle, L.H.	1	48	● 1186393	Flange Nut, 3/8 - 16	4
20	1185140	Lockwasher (Special)	6	49	● 1186391	Flange Nut, 5/16 - 18	4
21	● 1110107	Lock Nut, 5/16 - 18	8	50	1726297	Differential Assembly	1
22	1723979	Spindle, R.H.	1	51	1723945	Main Frame (1)	1
23	1723996	Spacer (1)	2		1728928	Main Frame (2)(3)	1
24	1724161	Flange Bearing (1)	4	52	1805368	Washer	2
25	1185976	Grease Fitting (1)	2	53	● 1104436	Woodruff Key (2)(3)	1
26	1724159	Wheel Only	2	54	1729392	Gear Retainer (2)(3)	1
27	1724157	Tire 4.10/3.50 x 4	2	55	1729393	Gear Retainer (2)(3)	1
28	1724156	Inner Tube	2	56	1728934	Bearing (2)(3)	1
29	1185649	Retaining Ring	2	57	● 1177548	Shakeproof Washer (3)	4
30	1717176	Spacer	2	58	1724882	Bushing (3)	1
31	1723983	Steering Arm (1)	1				
	1729395	Steering Arm (2) (3)	1				

- (1) Serial Number 0100101 thru 0199999
- (2) Serial Number 0200101 thru 0299999
- (3) Serial Number 0300101 and up

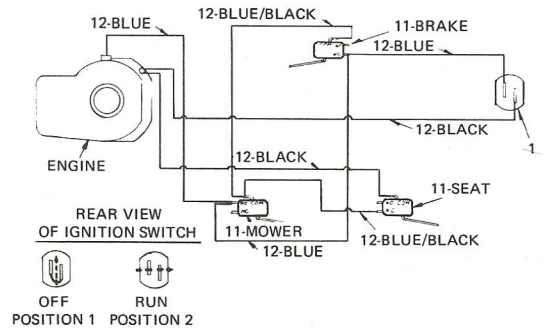
● Common Hardware - Purchase Locally (Grade 5 where applicable)

WIRING DIAGRAMS

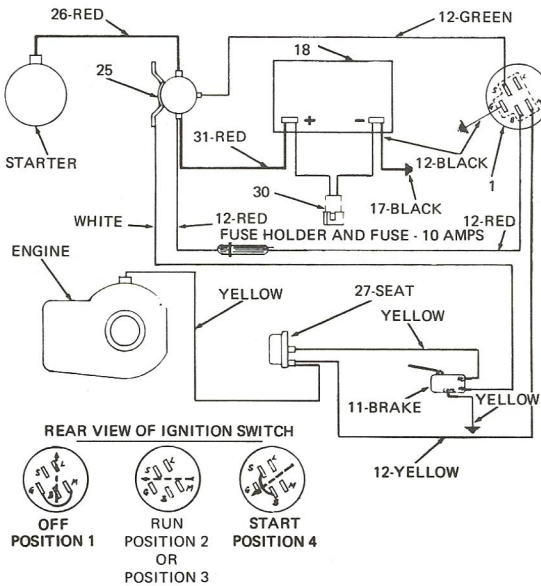
828 - Serial Numbers 0100101 thru 0199999



828 - Serial Numbers 0200101 thru 0399999



829 - Serial Numbers 0100101 thru 0199999



829 - Serial Numbers 0200101 thru 0399999

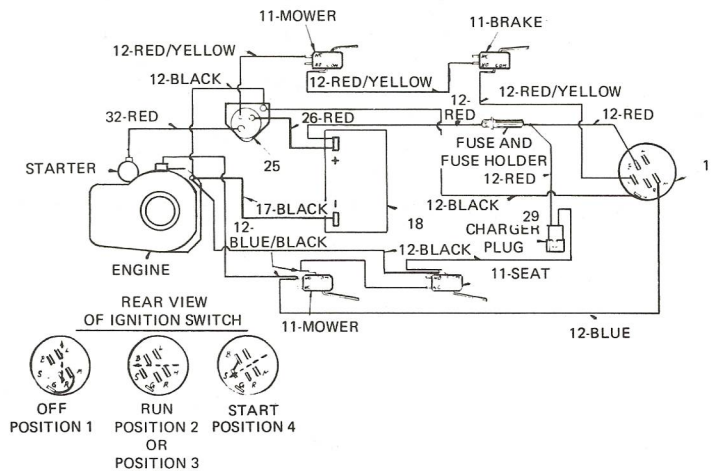
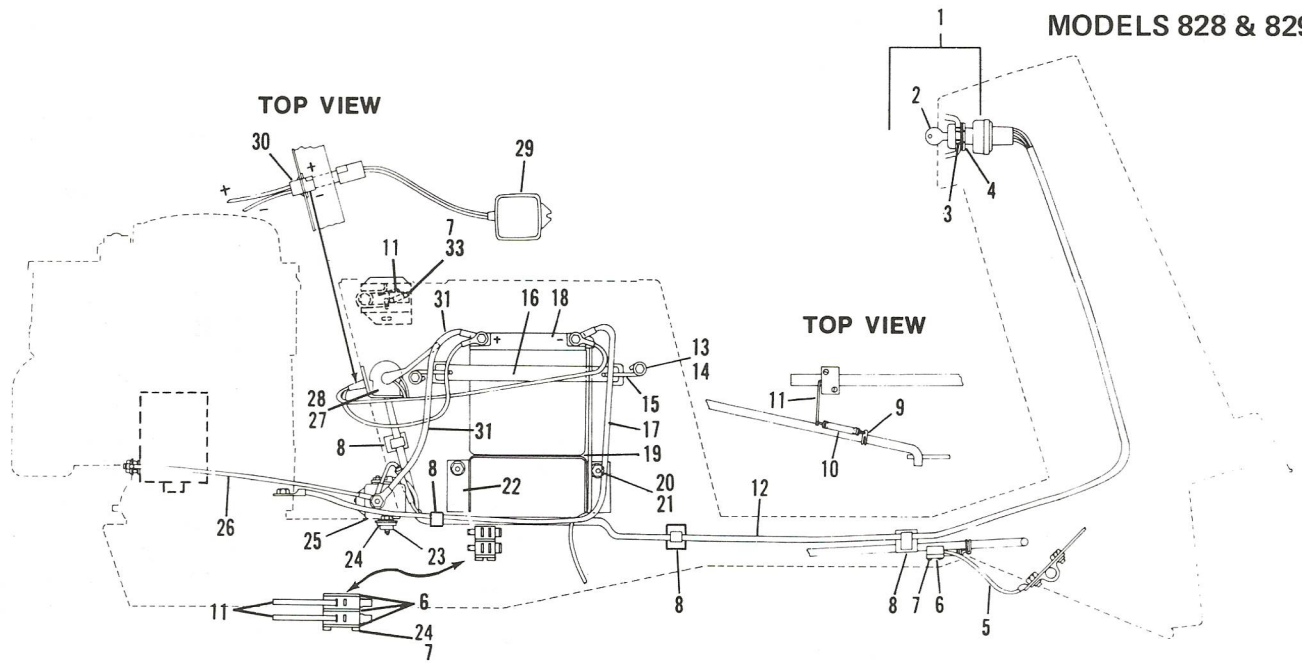


Figure 6. ELECTRICAL SYSTEM



REF. NO.	PART NO.	DESCRIPTION	NO. REQ'D.
1	1727321	Switch, Ignition (Incl. Ref. No. 2) (Model 828)	1
	1805569	Switch, Ignition (Incl. Ref. No. 2) (Model 829) (1)	1
	1726169	Switch, Ignition (Incl. Ref. No. 2) (Model 829) (2)	1
2	1805283	Key Only (1)	1
	1718266	Key Only (2)	1
3	1727323	Spacer (Model 828) (1)	1
4	1187950	Washer, Shakeproof, 5/8 (Model 828)	1
		(Model 829) (2)(3)	1
	1103999	Washer, Shakeproof, 3/4 (Model 829) (1)	1
5	1725549	Lead Assembly (1)	1
6	1725551	Plate, Switch (1)	1
	1725551	Plate, Switch (2)(3)	4
7	1725552	Screw, No. 4-40 x 3/4, Thread Cutting (1)	2
	1725552	Screw, No. 4-40 x 3/4, Thread Cutting (Model 828) (2)(3)	6
	1725552	Screw, No. 4-40 x 3/4, Thread Cutting (Model 829) (2)(3)	4
8	1724879	Clip	6
9	1725536	Clamp	1
10	1725826	Spring, Extension	1
11	1725550	Switch (1)	1
	1728199	Switch (Model 828) (2)(3)	3
	1728199	Switch (Model 829) (2)(3)	4
12	1727318	Wiring Harness (Model 828) (1)	1
	1729822	Wiring Harness (Model 828) (2)(3)	1
	1725548	Wiring Harness (Model 829) (1)	1
	1729588	Wiring Harness (Model 829) (2)(3)	1
13	1186309	Flange Screw, 1/4 - 20 x 5/8 (Model 829) (1)	2
14	1186389	Flange Nut, 1/4 - 20 (Model 829) (1)	2

REF. NO.	PART NO.	DESCRIPTION	NO. REQ'D.
15	1727116	Hook (Model 829) (1)	2
	1729577	Hook (Model 829) (2)	2
	1733890	Hook (Model 829) (3)	2
16	1724167	Strap (Model 829)	1
17	1726633	Lead Assembly (Model 829) (1)	1
	1722081	Lead Assembly (Model 829) (2)(3)	1
18	1724164	Battery, 12 V (Model 829)	1
19	1724343	Pad, Battery (Model 829)	1
20	1186328	Flange Screw, 5/16 - 18 x 5/8 (Model 829) (1)	2
21	1186391	Flange Nut, 5/16 - 18, (Model 829) (1)	2
22	1726274	Support, Battery (Model 829) (1)	1
23	1725320	Hex Hd. Screw, Nylon 1/4 - 20 x 3/4 (Model 829)	2
24	1729478	Screw, Thd. Cutting, No. 4-40 x 1-1/4 (Model 829) (2)(3)	2
25	1717048	Solenoid (Model 829) (1)	1
	1729547	Solenoid (Model 829) (2)(3)	1
26	1724171	Lead Assembly (Model 829) (1)	1
	1805654	Lead Assembly (Model 829) (2)(3)	1
27	1723416	Switch, Stop (1)	1
28	1185136	Screw, Sems No. 10 - 32 x 3/8 (1)	2
29	1724163	Battery, Charger (Model 829)	1
	1732856	Battery, Charger (Model 829 - Export)	1
30	1724641	Lead Assembly, Charger (Model 829) (1)	1
31	1724171	Lead Assembly (Model 829) (1)	1
32	1722465	Lead Assembly (Model 829) (2)(3)	1
33	1727777	Speed Nut, No. 4 - 40 (2)(3)	1

(1) Serial Number 0100101 thru 0199999

(2) Serial Number 0200101 thru 0299999

(3) Serial Number 0300101 and up

BOLENS 28 INCH RIDING MOWER

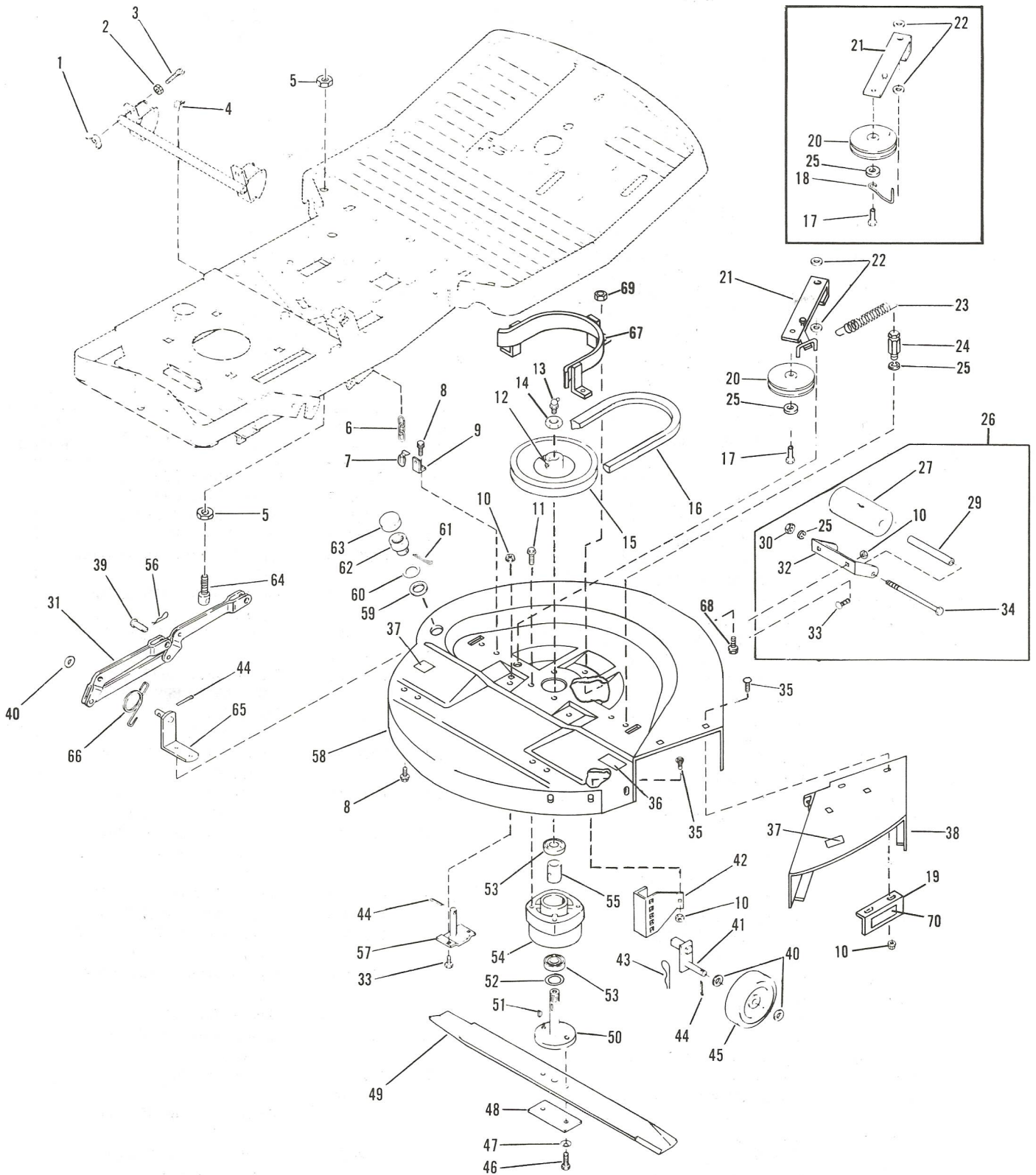


Figure 7. MOWER DECK ASSEMBLY

REF. NO.	PART NO.	DESCRIPTION	NO. REQ'D.	REF. NO.	PART NO.	DESCRIPTION	NO. REQ'D.
1	1806192	Wing Nut, 5/16 - 18	2	36	1727431	Decal (Caution)	2
2	● 1186230	Hex Nut, 5/16 - 18	2	37	1727432	Decal (No Step)	2
3	1724117	Spacer Bolt	2	38	1724099	Chute (1)	1
4	1717920	Cold Shuts	2		1729845	Chute (2) (3)(4)	1
5	● 1186250	Jam Nut, 3/4 - 16	4	39	1724049	Clevis Pin	4
6	1724037	Chain	2	40	● 1107385	Flat Washer, 1/2	8
7	1719672	Klix Pin	2	41	1724004	Axle	2
8	1185798	Flange Screw, 3/8 - 16 x 1/2	8	42	1724026	Axle Support	2
9	1724046	Lift Bracket	2	43	1724039	Hitch Pin	2
10	1186391	Flange Nut, 5/16 - 18	12	44	● 1100349	Cotter Pin, 1/8 x 3/4	7
11	1724491	Self Tap Flange Screw, 5/16 - 18 x 3/4	4	45	1724097	Wheel	2
12	1182554	Set Screw, 5/16 - 18 (1)	1	46	● 1100009	Capscrew, 3/8 - 24 x 1	2
13	1100758	Grease Fitting	1	47	1724034	Lockwasher, 3/8 (Pyramid) (1)(2)(3)	2
14	● 1185093	Hex Nut, 3/4 - 16	1		● 1100243	Lockwasher, 3/8 (4)	2
15	1726042	Sheave (Incl. Ref. No. 12) (1) (2)	1	48	1724051	Plate	1
	1728925	Sheave (Incl. Ref. No. 12) (3)(4)	1	49	1724030	Cutter Blade 1753096	1
16	1724035	V-Belt, 67-1/2	1	50	1725493	Spindle Shaft (1) (2)	1
17	● 1100047	Capscrew, 3/8 - 16 x 1-1/2	1		1724942	Shaft Assembly (3) (4)	1
18	1725555	Belt Guide (1)	1	51	1726179	Woodruff Key, 3/16 x 3/4 (1) (2)	1
19	1732281	Mower Guard (2)(3)(4)	1		1104436	Woodruff Key, 3/16 x 3/4 (3) (4)	1
20	1725625	Idler Pulley	1	52	1700821	Thrust Washer	As Req'd.
21	1724649	Idler Arm (1)	1	53	1185828	Ball Bearing	2
	1729888	Idler Arm (2)(3)(4)	1	54	1724029	Spindle Housing	1
22	● 1702646	Flat Washer, 1/2	2	55	1724033	Spacer	1
23	1727995	Extension Spring (1)(2)(3)	1	56	1723478	Spring Cotter	4
	1734363	Extension Spring (4)	1	57	1724010	Pin Assembly	1
24	1727996	Bolt, Spring Anchor	1	58	1724025	Mower Base (1)	1
25	● 1100243	Lockwasher, 3/8	4		1724023	Mower Base (2) (3)(4)	1
26	1727490	Roller Kit (Optional) (Incl. Ref. Nos. 10, 25, 27 thru 34)	1	59	1703073	Thrust Washer	1
27	1720577	Roller	1	60	1719469	Wave Washer	1
28	● 1185023	Flat Washer, 1/2	4	61	● 1100352	Cotter Pin, 1/8 x 1-1/2	1
29	1720578	Spacer	1	62	1719461	Washout Flange	1
30	● 1186231	Hex Nut, 3/8 - 16	1	63	1719467	Protector Cap	1
31	1724019	Mower Lift Assy. (Only Sold Assembled)	2	64	1725611	Stud	2
32	1724031	Roller Support	1	65	1724007	Bracket Assembly	4
33	● 1186098	Carriage Bolt, 5/16 - 18 x 5/8	4	66	1726221	Torsion Spring, R.H.	2
34	● 1106958	Capscrew, 3/8 - 16 x 6	1		1726222	Torsion Spring, L.H.	2
35	● 1186098	Carriage Bolt, 5/16 - 18 x 5/8 (1)	10	67	1729874	Belt Guide Assembly (2)(3)(4)	1
				68	1186308	Flange Screw, 1/4 - 20 x 5/8 (2)(3)(4)	3
				69	1186389	Flange Nut, 1/4 - 20 (2)(3)(4)	3
				70	1732280	Decal (Warning) (2)	1

- (1) Serial Number 0100101 thru 0199999
- (2) Serial Number 0200101 thru 0200401
- (3) Serial Number 0200402 thru 0299999
- (4) Serial Number 0300101 and up

● Common Hardware - Purchase Locally (Grade 5 where applicable)