

---

# **Bolens**<sup>®</sup>

## **Snow Thrower**

### **Models 824**

Serial Number  
0800101 thru  
0899999

### **Models 824A**

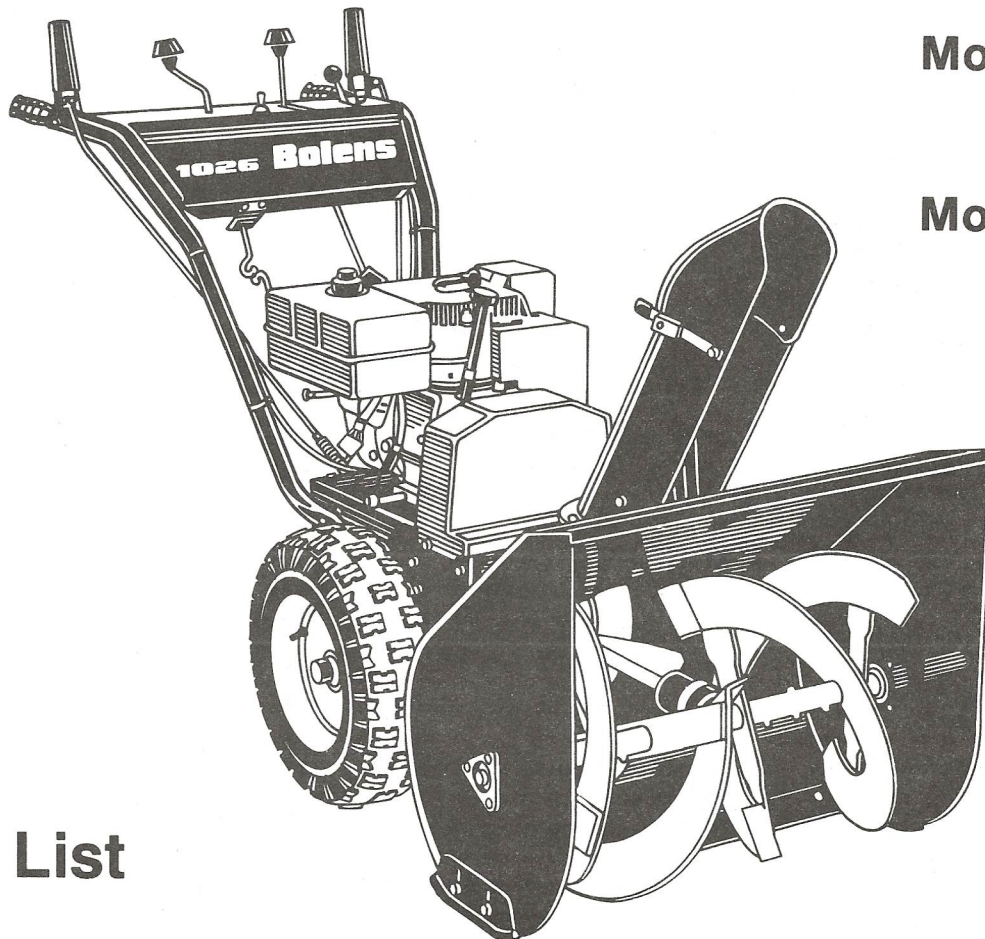
Serial Number  
0100101 thru  
0399999

### **Models 1026**

Serial Number  
0700101 thru  
0799999

### **Models 1032**

Serial Number  
0900101 thru  
0999999



## **Parts List**

# 24, 26 & 32 INCH SNOWTHROWER

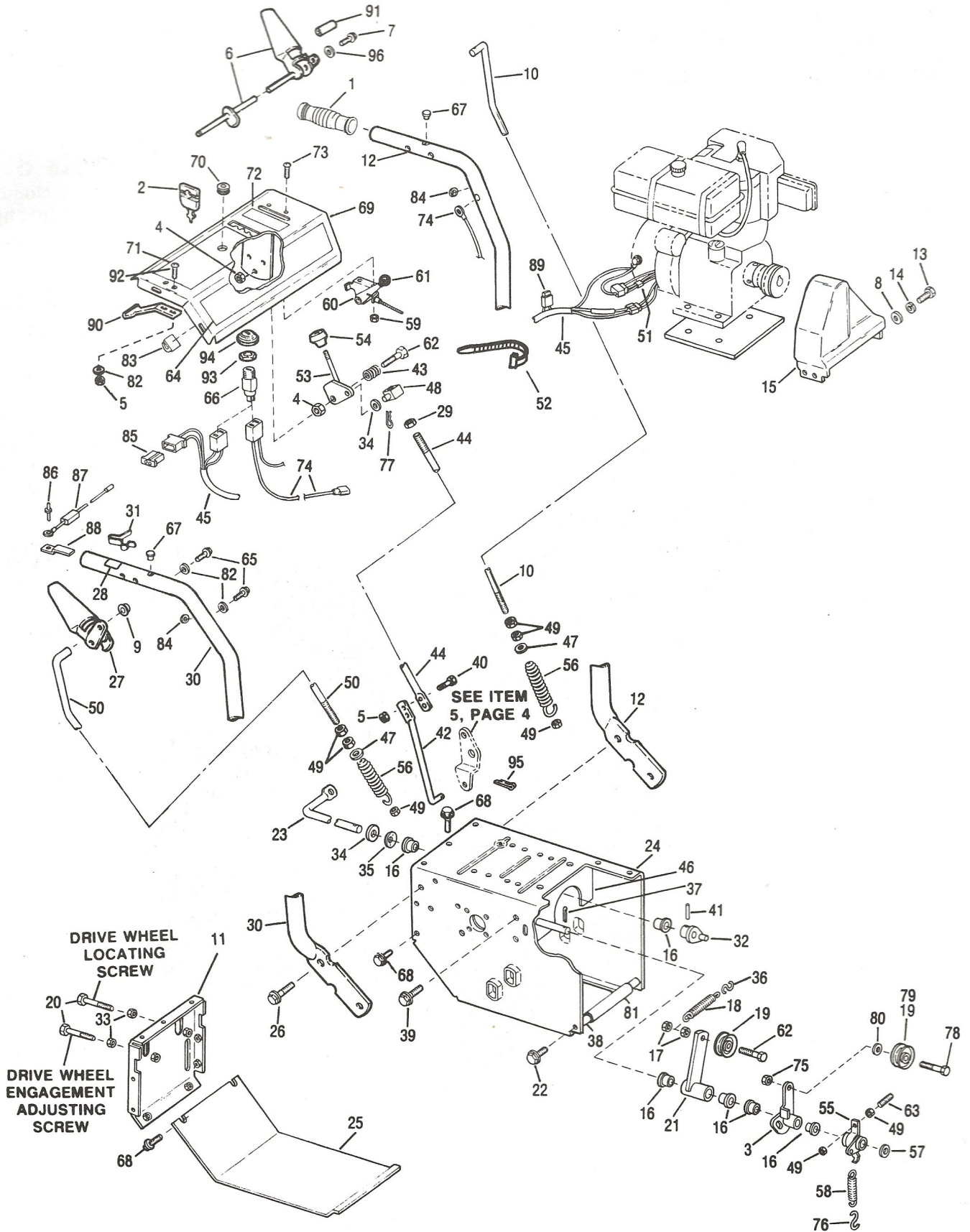


Figure 1. TRIM, CONTROL AND FRAME ASSEMBLY

MODELS 824, 824A, 1026 & 1032

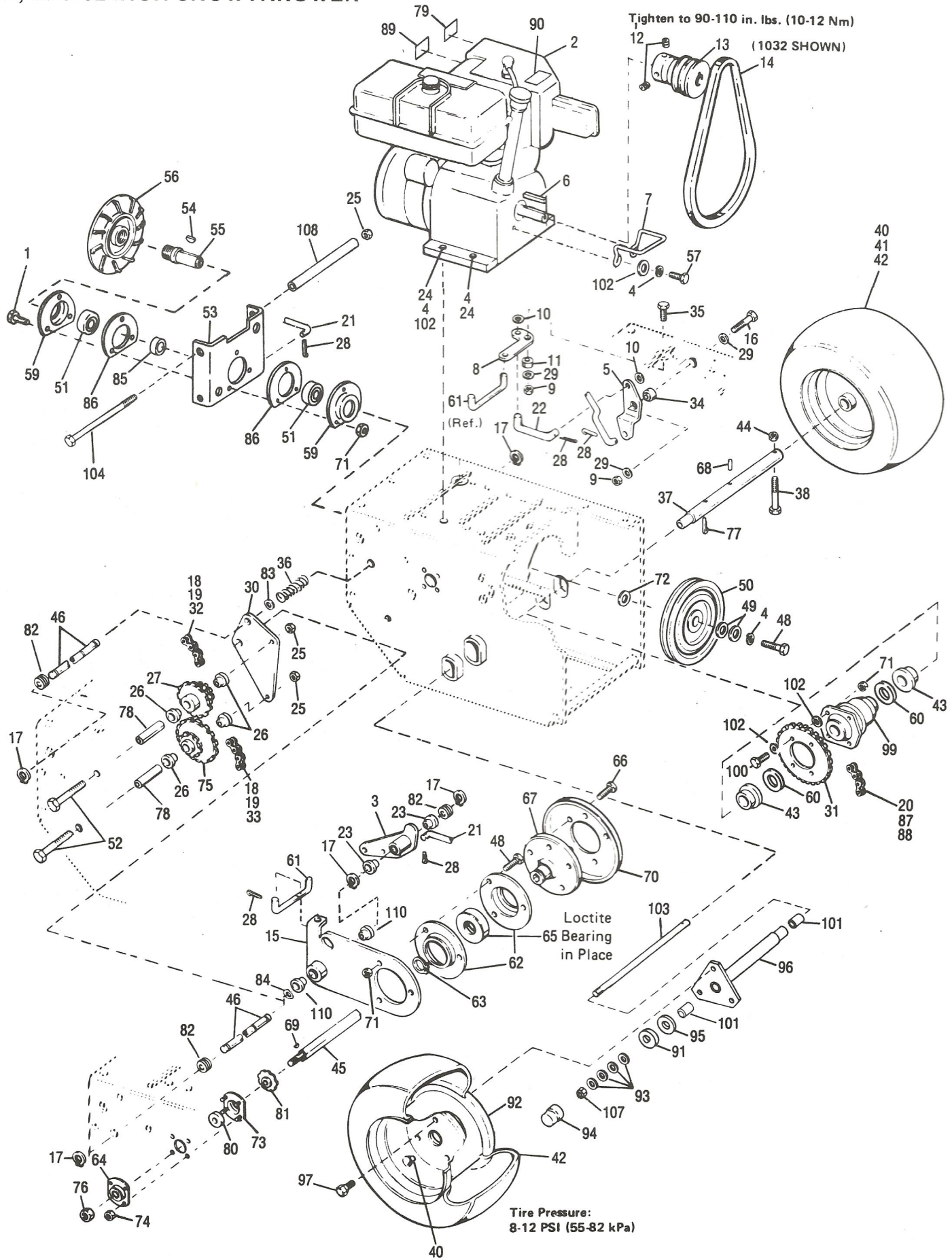
REF. NO.	PART NO.	DESCRIPTION	NO. REQ'D
1	1745576	Handle Grip .....	2
2	1753986	Key Only .....	1
3	1739937	Idler Arm .....	1
4	• 1733398	Lock Nut 5/16 .....	2
5	1734398	Hex Lock Nut, 1/4-20 .....	2
6	1757830BDG	L.H. Control Handle.....	1
7	• 1100807	Hex Screw, 1/4-20 x 2.00 .....	2
8	• 1107382	Flat Washer, 5/16 .....	2
9	1728072	Push Nut .....	2
10	1757838	Wheel Drive Clutch Rod .....	1
11	1757828BDG	Back Plate .....	1
12	1757831BDG	L.H. Handle Bar .....	1
13	• 1100044	Hex Hd. Screw, 5/16-18 x 3/4 .....	2
14	• 1100255	Flat Washer, 5/16 .....	2
15	1755775	Belt Guard .....	1
16	1715716	Bushing .....	6
17	1185506	Self Locking Jam Nut, 3/8-16 .....	2
18	1740011	Extension Spring .....	1
19	1729440	Idler (824/824A) .....	2
	1729440	Idler (1026, 1032) .....	1
20	• 1186334	Fl. Screw, 5/16-18 x 1-3/4 .....	2
21	1739935	Idler Arm .....	1
22	1186329	Fl. Hd. Screw, 5/16-18 x 3/4 ..	2
23	1757841	Control Arm .....	1
24	1745857BDG	Frame.....	1
25	1739838BDG	Bottom Cover .....	1
26	• 1186345	Flange Screw, 3/8-15 x 3/4 ...	4
27	1757825BDG	R.H. Control Handle .....	1
28	1755799	Decal, Interlock .....	1
29	• 1186231	Hex Nut, 3/8-16 .....	1
30	1757832BDG	R.H. Handle Bar .....	1
31	1745674	Snap Button .....	1
32	1739932	Control Arm .....	1
33	• 1186258	Hex Nut, 5/16-18.....	2
34	1890234	Flat Washer, 1/2 .....	2
35	1706782	Bowed Washer .....	1
36	1740989	Hook .....	1
37	• 1100356	Cotter Pin, 3/32 x 1 .....	1
38	1739756	Cross Member .....	1
39	1724491	Screw, Fl. Lock 5/16-18 x 3/4 ..	5
40	• 1100805	Hex Screw 1/4-20 x 3/4.....	2
41	1743493	Drive Pin, 1/8 x 3/4.....	1
42	1758154	Control Rod Lower .....	1
43	1713167	Compression Spring .....	1
44	1758153	Control Rod Upper .....	1
45	1748837	Wiring Harness (A) .....	1
46	1754272	Support Ass'y .....	1
47	• 1100241	Lock Washer 1/4.....	2
48	1727053	Pivot Block .....	1
49	• 1186229	Hex Nut, 1/4-20 .....	8
50	1757839	Auger Control Rod.....	1
51	1721038	Connector .....	1

• Common Hardware - purchase locally (Grade 5 where applicable)

REF. NO.	PART NO.	DESCRIPTION	NO. REQ'D	
52	1735531	Tie Cable .....	4	
53	1758216	Speed Control Arm Assembly .....	1	
54	1757842	Knob .....	1	
55	1739941	Brake Arm Assembly.....	1	
56	1739745	Extension Spring .....	2	
57	• 1107385	Flat Washer 1/2" .....	2	
58	1740990	Extension Spring .....	1	
59	• 1185985	Ext. Lockwasher Nut, No. 10 .....	2	
60	1741648	Throttle Control (Incl. Ref. 61) ..	1	
61	1737118	Control Knob.....	1	
62	• 1100086	Hex Screw, 3/8-16 x 1-3/4 ....	2	
63	1741847	Socket Hd. Screw, 1/4-20 x 1-1/4.....	1	
	64	1755864	Decal (Logo) (824).....	1
		1755865	Decal (Logo) (824A) .....	1
		1755866	Decal (Logo) (1026).....	1
		1755867	Decal (Logo) (1032).....	1
	65	• 1754128	Flange Lock Screw, 1/4-20 x 5/8.....	4
	66	1758145	Ignition Switch (Incl. Ref. 2) ..	1
	67	1750796	Wear Button .....	2
	68	1724491	Thd. Form Screw 5/16-18x3/4 ..	9
	69	1757834BDG	Console Ass'y .....	1
	70	1185585	Flip Grommet .....	1
	71	1757845	Decal Instructions .....	1
	72	1755804	Decal Throttle Control .....	1
	73	• 1115815	Rd Hd Screw, No. 10-24 x 5/8 ..	2
	74	1740404	Lead (824) .....	1
	75	• 1733398	Lock Nut, 3/8-16.....	1
	76	1742250	Hook .....	1
	77	1703011	Spring Clip .....	1
	78	• 1100048	Hex Screw, 3/8-16 x 2(A) .....	1
		1100047	Hex Screw 3/8-16 x 1-1/2 (824A) .....	1
	79	1735914	Flat Idler (A) .....	1
	80	1708755	Flat Washer (A) .....	1
	81	1746607	Tube .....	1
	82	• 1107381	Flat Washer, 1/4 .....	4
	83	1744879	Cord Clip .....	2
	84	1748835	Bushing (A) .....	2
	85	1748836	Connector Body (A) .....	1
	86	1186424	Pop Rivet 1/8 (A) .....	2
	87	1746515	Resistor Ass'y (A) .....	2
	88	1746516	Clamp (A) .....	2
	89	•	7.5 Amp Fuse.....	1
	90	1757823	Flat Spring .....	1
	91	1757837	Spacer .....	1
	92	• 1115931	Rd. Hd. Machine Screw 1/4-20 x 5/8 .....	2
	93	1758146	Switch Nut .....	1
	94	1758147	Switch Cap.....	1
	95	• 1100346	Cotter Pin 3/32 x 3/4 .....	1
	96	• 1107381	Flat Washer .....	1

(A) 824A, 1026, 1032  
(B) 824

# 24, 26 & 32 INCH SNOWTHROWER



## MODELS 824, 824A, 1026 & 1032

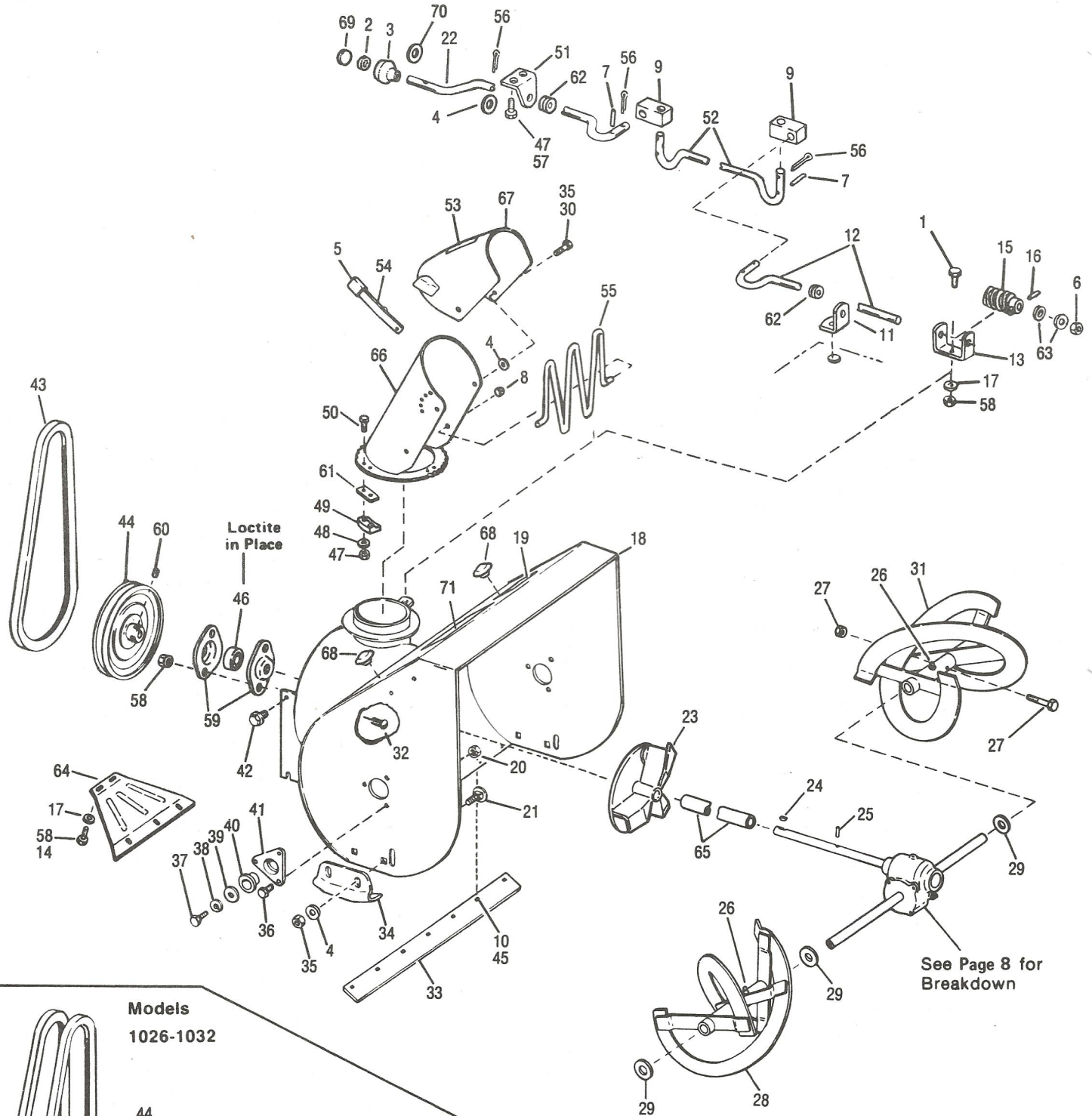
REF. NO.	PART NO.	DESCRIPTION	NO. REQ'D
1	• 1100045	Hex Screw 5/16-18 x 1	3
2	*	Tecumseh Engine HMSK 100 (1026, 1032)	1
	*	Tecumseh Engine HMSK 80 (824 & 824A)	1
3	1745485	Arm Assembly	1
4	• 1100242	Lockwasher, 5/16	7
5	1745441	Control Arm	1
6	1187474	Key, 1/4 Square x 1-1/4	1
7	1749177	Belt Guide	1
8	1745438	Control Arm	1
9	• 1733398	Lock Nut, 3/8-16	2
10	• 1107382	Washer, Flat 5/16	2
11	1745419	Pivot	1
12	1741846	Set Screw, 5/16-18 x 5/16	2
13	1754323	Engine Sheave (8 HP) (824 & 824A)	1
	1751435	Engine Sheave (1026, 1032)	1
14	1751601	V-Belt 32"	1
15	1745483	Support Plate Ass'y	1
16	• 1100047	Capscrew, 3/8-16 x 1-1/2	1
17	1118808	Retaining Ring	5
18	0182087	Offset Link (Half Link)	2
19	1185013	Conn. Link, No. 41 Chain	2
20	1739454	Drive Chain, 1/2 No. 40	1
21	1745437	Control Link	1
22	1745435	Control Link	1
23	1714299	Flange Bushing	2
24	• 1100799	Hex Screw 5/16-18 x 1-1/2	4
25	• 1186393	Flange Lock Nut, 3/8-16	3
26	1739458	Flange Bearing	4
27	1745498	Sprocket Ass'y 9T/17T	1
28	• 1100346	Cotter Pin, 3/32 x 3/4	9
29	• 1100256	Flat Washer, 3/8	3
30	1739497	Support Plate	1
31	1739472	Sprocket 30T	1
32	1745879	Drive Chain No. 41	1
33	1745880	Drive Chain No. 41	1
34	1739728	Pivot	1
35	• 1100046	Hex Screw 3/8-16 x 1	1
36	1741647	Compression Spring	1
37	1755838	Axle Shaft	1
38	• 1755894	Hex Screw, 5/16-18 x 1-3/4	1
39	1118804	Retaining Ring	2
40	1718086	Valve Stem	2
41	1755859	Wheel Disc (824, 824A, 1026)	1
	1755861	Wheel Disc (1032)	1
42	1755826	Tire 16-6.50 x 8 (824, 824A, 1026)	2
	1755825	Tire 4.80/4.00 x 8 (1032)	2
43	1739471	Flange Bushing 7/8	2
44	1732499	Lock Nut, 5/16-18	11
45	1739457	Hex Shaft	1
46	1745860	Shaft Support	2
48	• 1100044	Capscrew, 5/16-18 x 3/4	4
49	1713233	Washer, Flat Special	2
50	1745488	Sheave	1
51	1743433	Ball Bearing	2

REF. NO.	PART NO.	DESCRIPTION	NO. REQ'D
52	• 1111615	Capscrew, 3/8-16 x 3-1/2	2
53	1754302	Drive Disc Support	1
54	1185885	Woodruff Key, 3/16 x 5/8	1
55	1745535	Spindle	1
56	1720918	Drive Plate	1
57	• 1100005	Hex Screw, 5/16-24 x 1	2
59	1739488	Bearing Retainer	2
60	• 1740002	Flat Washer 7/8	4
61	1745436	Connecting Link	1
62	1739485	Retainer Bearing	2
63	1736561	Snap Ring	1
64	1720811	Flange Bearing	1
65	1741733	Thrust Bearing	1
66	• 1186327	Screw, 5/16-18 x 1/2	5
67	1739490	Friction Disc Hub	1
68	1185376	Drive Pin, 3/16 x 1-1/2	1
69	1104435	Woodruff Key	1
70	1720859	Molded Friction Disc	1
71	1732499	Lock Nut, 5/16-18	11
72	1709224	Special Washer	1
73	1720810	Flange Bearing Assembly	1
74	1737938	Lock Nut No. 10-24	4
75	1745497	Sprocket Ass'y 9T/30T	1
76	• 1185496	Jam Nut, No. 1/2-13	1
77	1730483	Drive Pin	1
78	1739476	Spacer	2
79	1754329	Decal, Choke	1
80	1185808	Ball Bearing	1
81	1745495	Sprocket, 9T	1
82	1714233	Nylon Bushing	4
83	1705093	Flat Washer	1
84	• 1107386	Flat Washer 5/8	1
85	1745489	Spacer	1
86	1745490	Bearing Retainer	2
87	1185026	Conn. Link No. 40	1
88	1120213	Offset Link (Half Link)	1
89	1754330	Decal, Primer	1
90	1754328	Decal, Hot Surface	1
91	1756230	Washer, D-Hole	1
92	1755860	Disc, Wheel (824, 824A, 1026)	1
	1755862	Disc, Wheel (1032)	1
93	1746743	Disc Washer	4
94	1756231	Dust Cap	1
95	1746739	Friction Disc	1
96	1755840	Axle Tube Ass'y	1
97	1716223	Lug Bolt	3
99	1735861	Differential Assembly	1
100	• 1100808	Hex Screw 5/16-18 x 1-1/4	4
101	1745883	Nylon Bushing	2
102	• 1100255	Flat Washer 5/16	16
103	1755837	Axle Shaft (824A, 1026, 1032)	1
104	1754303	Hex screw 3/8-16 x 8-1/2	1
107	1186233	Jam nut 1/2-13	2
108	1754301	Tube	1
110	1739460	Flange Bearing (Incl.w/Ref 15)	2

• Common Hardware - purchase locally (Grade 5 where applicable)

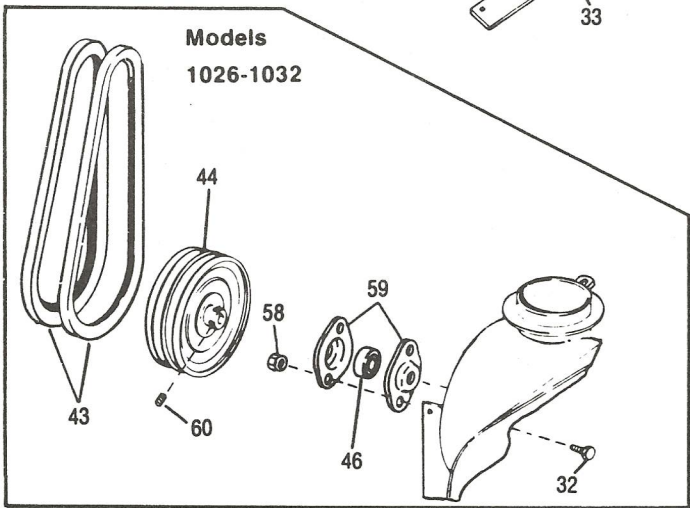
\*Purchase Parts from your Tecumseh, Lauson-Power Products Outlet

# 24, 26 & 32 INCH SNOWTHROWER



Loctite in Place

See Page 8 for Breakdown



**MODELS 824, 824A, 1026 & 1032**

REF. NO.	PART NO.	DESCRIPTION	NO. REQ'D	REF. NO.	PART NO.	DESCRIPTION	NO. REQ'D
1	1186329	Screw, Fl Lock 5/16-18 x 3/4	1	35	• 1733398	Lock Nut, 3/8-16	6
2	1185403	Retainer.....	1	36	• 1111599	Hex Capscrew, 1/4-20 x 5/8	6
3	1757843	Knob .....	1	37	• 1100053	Hex Capscrew, 1/2-13 x 3/4	2
4	• 1107383	Flat Washer, 3/8 .....	7	38	• 1100245	Lockwasher, 1/2 .....	2
5	1737499	Grip .....	1	39	• 1100257	Flat Washer, 1/2 .....	2
6	1185984	Fl. Lock Nut 3/8-16 .....	1	40	1185846	Flange Bushing.....	2
7	1177625	Roll Pin, 1/8 x 3/4.....	5	41	1720922	Bearing Support .....	2
8	1186048	Push Nut.....	2	42	1185798	Fl. Lock Screw, 3/8-16 x 1/2	2
9	1714782	Swivel Block .....	2	43	1739945	V-Belt, 38" Set (1026, 1032) ...	1
10	• 1186391	Lock Nut, 5/16-18 (824, 824A, 1026) .....	5		1739944	V-Belt, 38" (824/824A) .....	1
	• 1186391	Lock Nut, 5/16-18 (1032) .....	7	44	1736000	Auger Sheave (1026, 1032) ...	1
11	1754424	Crank Support.....	1		1725282	Auger Sheave (824/824A) ....	1
12	1756141	Chute Control Shaft .....	1	45	• 1186097	Carr. Bolt 5/16-18 x 5/8 (824, 824A, 1026) .....	5
13	1735869	Gear Support.....	1		• 1186097	Carr. Bolt 5/16-18 x 5/8 (1032)	7
14	• 1100044	Hex Head Capscrew, 5/16-18 x 3/4 .....	2	46	1741640	Ball Bearing .....	1
15	1724870	Worm, 6 Thread, L.H. ....	1	47	• 1737938	Lock Nut, No. 10-24.....	8
16	1724885	Drive Pin, 3/32 x 3/4 .....	1	48	• 1103959	Flat Washer, No. 10 .....	6
17	• 1107382	Flat Washer, 5/16 .....	3	49	1724869	Clip .....	3
18	1756645BDG	Housing Ass'y w/Decal 24" (Incl. Ref. 19) (824/824A) .....	1	50	• 1752461	Hex Head Sems Machine Screw, No. 10-24 x 7/8	6
	1756644BDG	Housing Ass'y w/Decal 26" (Incl. Ref. 19) (1026) .....	1	51	1757840	Chute Control Support.....	1
	1756643BDG	Housing Ass'y w/Decal 32" (Incl. Ref. 19) (1032) .....	1	52	1754433	Chute Control Rod.....	1
19	1750691	Decal (Warning) .....	1	53	1750692	Decal (Warning) .....	1
20	• 1734398	Lock Nut, 1/4-20 .....	6	54	1723643	Adjusting Lever.....	1
21	• 1186126	Carriage Bolt, 3/8-16 x 3/4.....	4	55	1743387	Guard, Chute.....	1
22	1757836	Chute Control Crank.....	1	56	1185147	Cotter Pin, 3/32 x 1/2 .....	4
23	1745799BOW	Fan .....	1	57	1737940	Truss Screw 10-24 x 3/8.....	2
24	1104436	Woodruff Key, 3/16 x 3/4 .....	1	58	• 1732499	Lock Nut 5/16-18 .....	8
25	1185348	Roll Pin, 1/4 x 1-1/4 .....	2	59	1185838	Flange Bearing .....	2
26	1185803	Grease Fitting .....	4	60	1737419	Set Screw 5/16-18 x 3/4 .....	2
27	1720867	Shear Bolt.....	4	61	1752460	Shim .....	3
28	1725117BOW	Auger, Right Hand (824/824A)	1	62	1714243	Nylon Bushing .....	2
	1725113BOW	Auger, Right Hand (1026) ....	1	63	1737957	Nylon Washer .....	2
	1725109BOW	Auger, Right Hand (1032) ....	1	64	1754572	Support Housing .....	1
29	1185816	Special Washer, 1-1/64 Diameter .....	6	65	1755749	Sleeve .....	1
30	• 1100068	Hex Capscrew, 3/8-16 x 3/4 ..	2	66	1753935BDG	Discharge Chute Ass'y .....	1
31	1725116BOW	Auger, Left Hand (824/824A)	1	67	1756642	Discharge Cap w/Decal .....	1
	1725112BOW	Auger, Left Hand (1026) .....	1	68	1750969	Button Plug .....	2
	1725108BOW	Auger, Left Hand (1032) .....	1	69	1758058	Spun Silver Inlay .....	1
32	• 1186098	Carriage Bolt, 5/16-18 x 3/4	2	70	1890945	Flat Washer 3/8 .....	1
33	1740553BDG	Scraper Blade(824, 824A) ....	1	71	1758589	Decal, Logo (824/824A) .....	1
	1758136BDG	Scraper Blade(1026) .....	1		1758590	Decal, Logo (1026) .....	1
	1725184BDG	Scraper Blade(1032) .....	1		1758591	Decal, Logo (1032) .....	1
34	1728567BDG	Runner.....	2	NI	1723479	Grease, Multi-Purpose 8oz.	

• Common Hardware - purchase locally (Grade 5 where applicable)

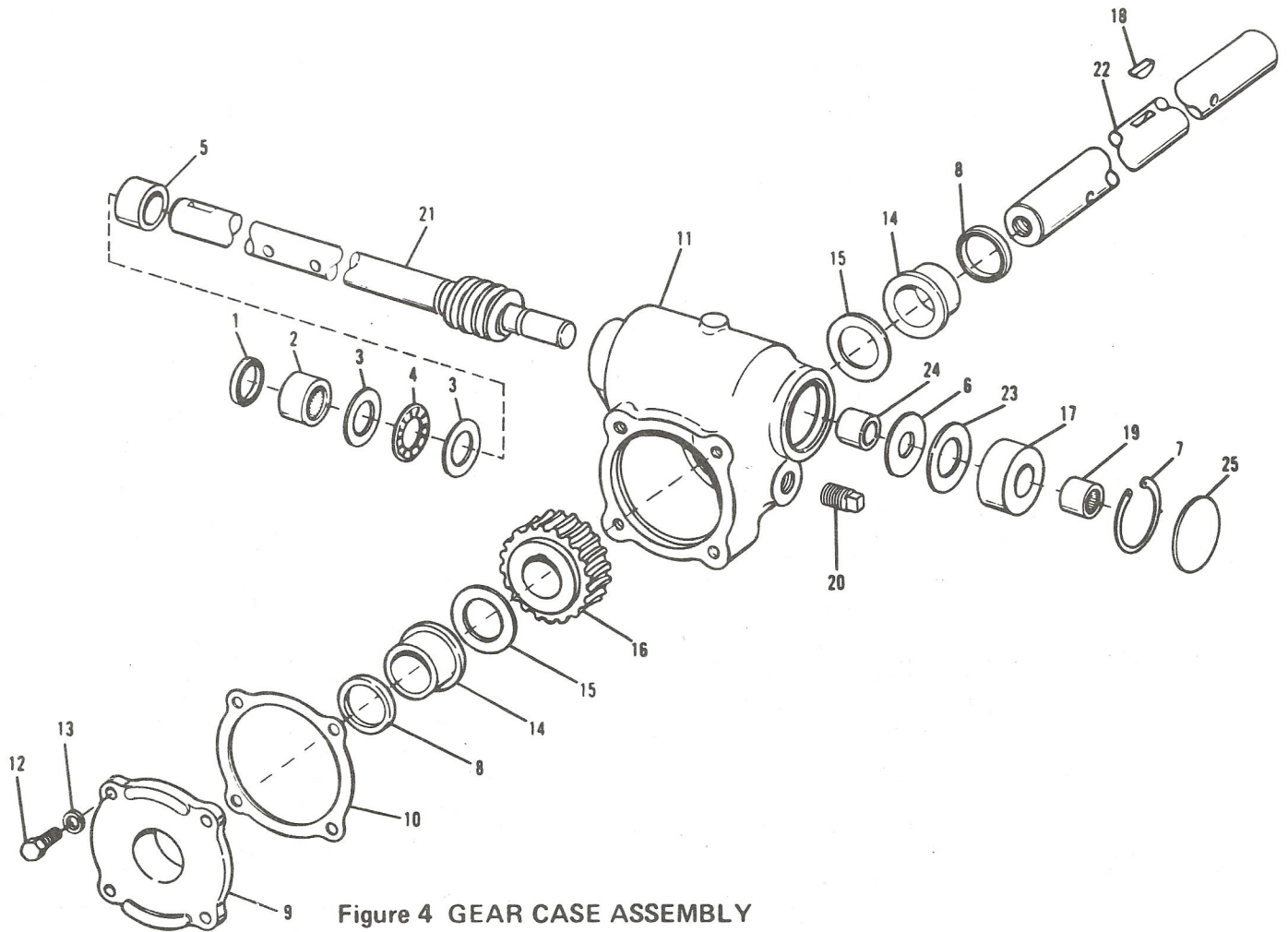


Figure 4 GEAR CASE ASSEMBLY

REF. NO.	PART NO.	DESCRIPTION	NO. REQ'D	REF. NO.	PART NO.	DESCRIPTION	NO. REQ'D
1	1185224	Oil Seal .....	1	16	1720933	Worm Gear, 20T .....	1
2	1185374	Needle Bearing .....	1	17	1720763	Spacer .....	1
3	1185841	Thrust Race .....	2	18	1100276	Woodruff Key, 1/4 x 7/8 .....	1
4	1185431	Thrust Bearing .....	1	19	1185568	Needle Bearing .....	1
5	1741774	Spacer .....	1	20	1105620	Square Head Plug, 1/4-18 NPT	1
6	1185842	Washer .....	1	21	1739790	Impeller Shaft.....	1
7	1118726	Retaining Ring, Internal .....	1	22	1725135	Auger Shaft (Model 1032).....	1
8	1185266	Oil Seal .....	2		1720894	Auger Shaft (Model 1026).....	1
9	1720910	Gear Case Cover .....	1		1721715	Auger Shaft (Model 824/824A)	1
10	1720941	Cover Gasket .....	1	23	1185840	Thrust Race .....	1
11	1735894BDG	Gear Case Only .....	1	24	1741775	Spacer .....	1
12	• 1111599	Capscrew, 1/4-20 x 5/8 .....	4	25	1112634	Expansion Plug .....	1
13	• 1100241	Lockwasher, 1/4 .....	4	NI	1723456	Gear Lube, EP 90	
14	1185728	Flange Bearing .....	2				
15	1185815	Thrust Race .....	2				

• Common Hardware-purchase locally (Grade 5 where applicable)