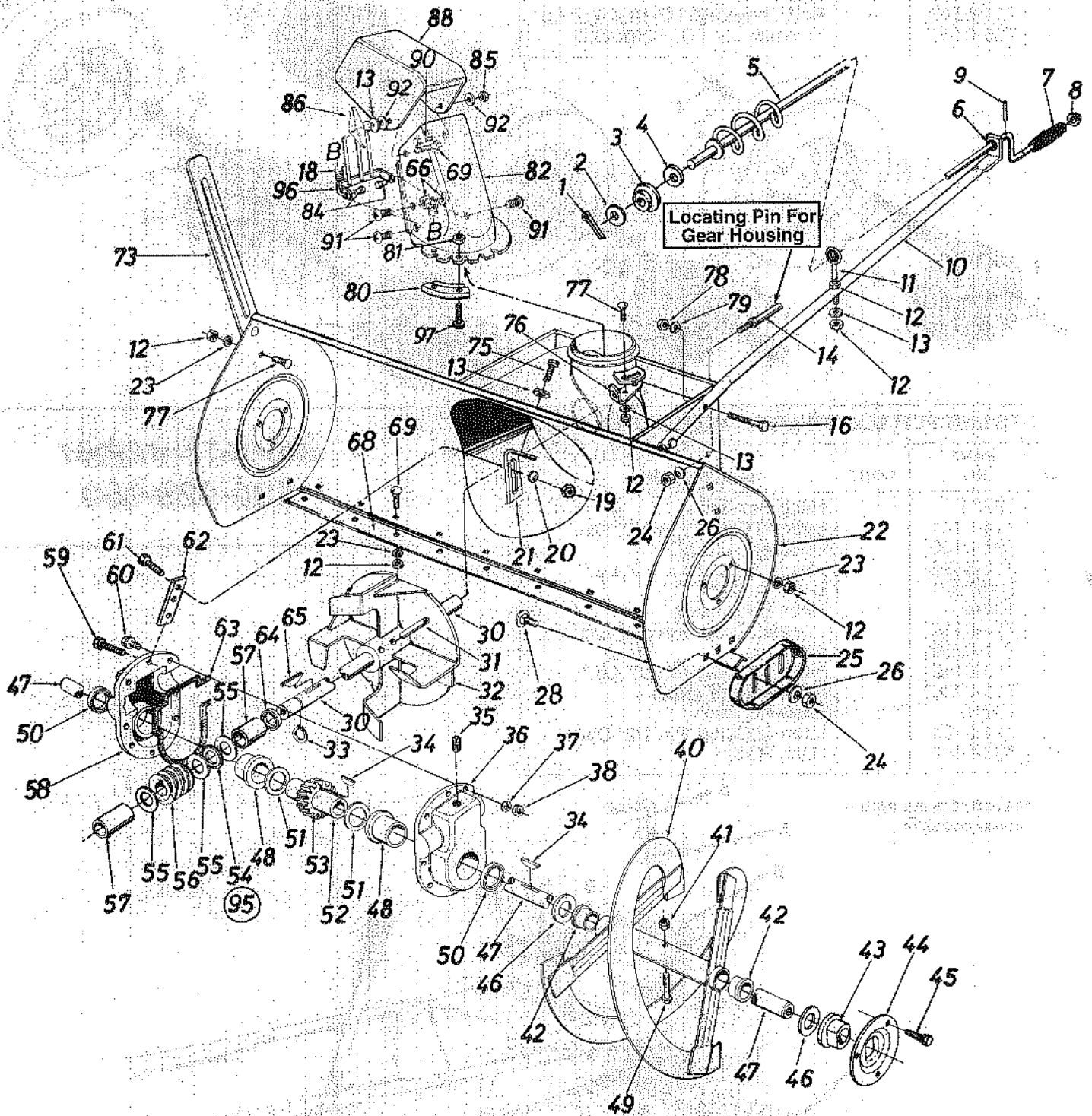


Model 831



NOTE: Lubricate with 4 oz. Shell Alvania Grease
EPR000. Order Part No. 737-0168.

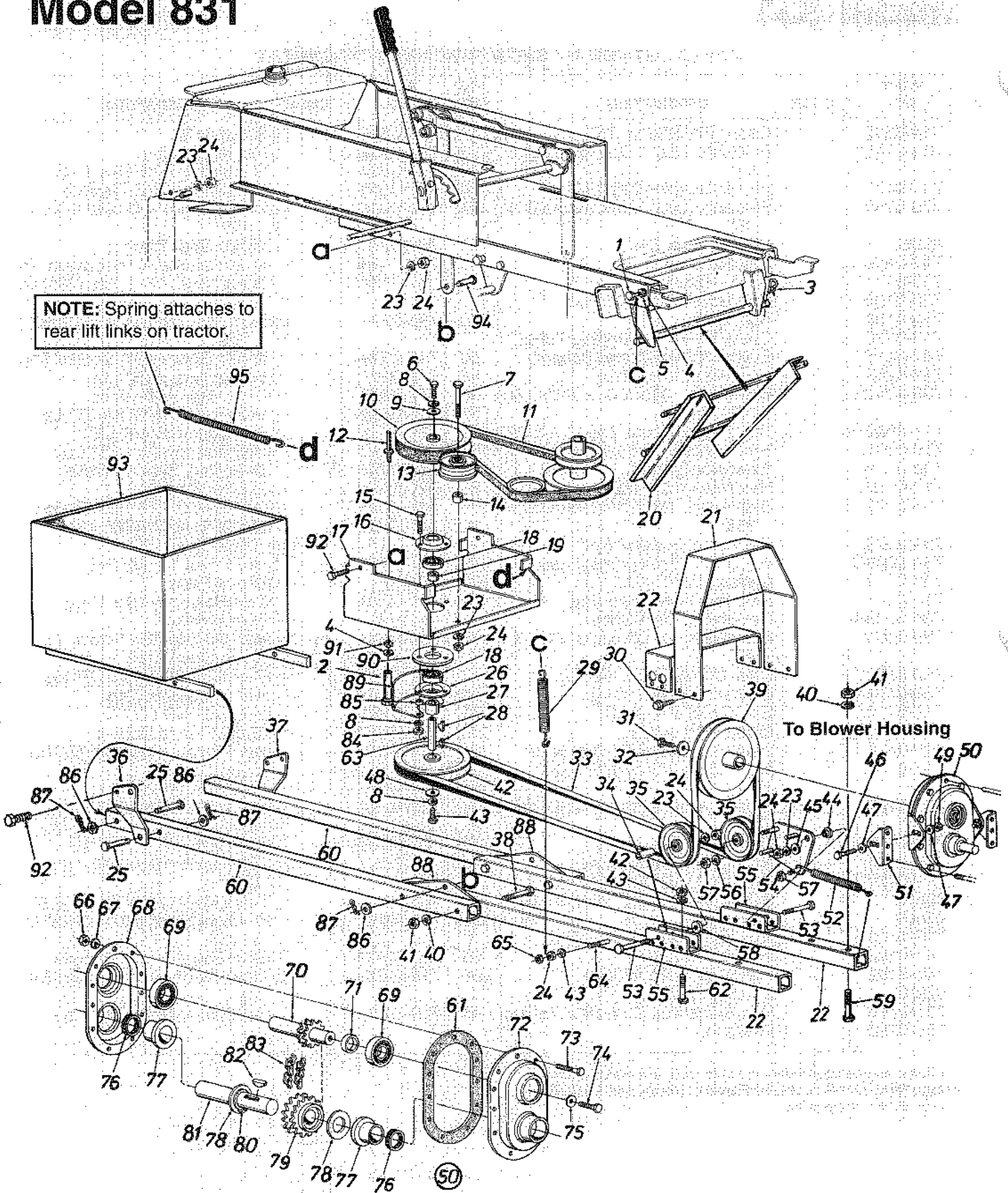
Model 831

PARTS LIST FOR 45" SNOW THROWER ATTACHMENT

REF. NO.	PART NO.	CODE	DESCRIPTION	REF. NO.	PART NO.	CODE	DESCRIPTION
1	714-0507		Cotter Pin 3/32" x .75"	47	738-0492		Spiral Axle
2	736-0140		Fl-Wash. .385" I.D. x .62" O.D. x .06"	48	741-0182		Flange Bearing
3	741-0475		Plastic Bushing .380" I.D.	49	710-0891		Shear Bolt 5/16-18 x 1.75
4	736-0140		Fl-Wash. .385" I.D. x .62" O.D. x .06"	50	721-0146		Oil Seal 1.5" I.D. Garlock
5	05983		Chute Crank Ass'y.	51	736-0266		Fl-Wash. 1.5" I.D. x 2" O.D. x .03"
6	741-0475		Plastic Bushing .38" I.D.	52	738-0275		Worm Gear Shaft
7	720-0171		Knob—Black	53	717-1425		Worm Wheel—L.H. Double Thd.
8	726-0100		Cap Speed Nut 3/8" Rod	54	741-0184		Thrust Brg. .88" I.D. x 1.44" O.D. x .078"
9	715-0138		Spring Pin	55	736-0291		Fl-Wash. .88" I.D. x 1.4" O.D. x .125"
10	749-0230		Chute Crank Supporting Tube	56	717-0299		Worm Gear—L.H. Double Thd.
11	747-0416		Eyebolt Chute Crank Support	57	741-0217		Sleeve Brg. .875" I.D.
12	712-0267		Hex Nut 5/16-18 Thd.*	58	717-0298		Gear Hsg. Half—R.H.
13	736-0242		Bell-Wash. .345" I.D. x .88" O.D. x .06"	59	710-0528		Hex Bolt 5/16-18 x 1.25" Lg.*
14	711-0640		Belt Keeper Studs 3/8-16 x 2.75"	60	710-0376		Hex Bolt 5/16 x 1" Lg.*
16	710-0191		Hex Bolt 3/8-24 x 1.25" Lg.	61	710-0412		Hex Bolt 1/4-28 x .75" Lg.
18	732-0118		Extension Spring	62	784-5075		Gear Hsg. Support Plate
19	712-0138		Hex Nut 1/4-28 Thd.	63	721-0144		Rubber Gasket
20	736-0270		Bell-Wash. .25" I.D. x .88" O.D. x .062"	64	721-0145		Oil Seal for .875" I.D. Garlock
21	784-5076		Gear Hsg. Support Brkt.	65	714-0126		#9 Hi-Pro Key 3/16" x 3/4" Dia.—H.T.
22	784-5036C		45" Snow Thrower Hsg. Ass'y.	66	712-0291		Hex L-Nut 1/4-20 Thd.
23	736-0119		L-Wash. 5/16" I.D.*	68	05598		Shave Plate
24	712-0342		Hex Jam Nut 3/8-16 Thd.	69	710-0276		Carr-Bolt 5/16-18 x 1" Lg.
25	784-5038A		Reversible Slide Shoe	73	05139A		Guide Blade
26	736-0105		Bell-Wash. .4" I.D. x .88" O.D. x .06"	75	710-0726		Hex AB-Tap Scr. 5/16 x .75" Lg.
28	710-0790		Carr. Bolt 3/8-16 x .62" Lg.	76	784-5123		Chute Crank Brkt.
30	738-0679		Blower Axle 14.75" Lg.	77	710-0451		Carr. Bolt 5/16-18 x .75" Lg.
31	715-0118		Spr. Spiral Pin—H.D.	78	712-0116		Hex Nut 3/8-24 Thd.
32	784-5145		Blower Fan Ass'y.	79	736-0169		L-Wash. 3/8" I.D.*
33	716-0111		Snap Ring for .875" Dia. Shaft	80	731-0851		Chute Flange Keeper
34	714-0135		#91 Woodruff Key 1/4" x 3/4" Dia.	81	712-3027		Hex Flange L-Nut 1/4-20 Thd.
35	737-0175		Plastic Vented Plug 1/4-18 Pipe Thd.	82	731-0843B		Lower Chute
36	717-0297		Gear Hsg. Half—L.H.	84	738-0561		Shld. Nut 1/4-20 Thd.
37	736-0271		Shakeproof Spr. Wash.	85	712-0158		Hex L-Nut 5/16-18 Thd.
38	712-0429		Hex Ins. L-Nut 5/16-18 Thd.	86	09966		Hand Knob
40	05608		Spiral Ass'y.—R.H. (Not Shown)	88	731-0846B		Upper Chute
	05609		Spiral Ass'y.—L.H.	90	710-0323		Truss Mach. Scr. 5/16-18 x .75" Lg.
41	712-0429		Hex Ins. L-Nut 5/16-18 Thd.	91	710-0286		Truss Mach. Scr. 1/4-20 x .5" Lg.
42	741-0494		Flange Bearing	92	736-0231		Fl-Wash. .344" I.D. x 1.125" O.D. x .125"
43	741-0192		Flange Bearing w/Flats	95	717-0871A		Gear Box Ass'y. Complete
44	05845		Bearing Housing	96	710-0255		Truss Mach. Scr. 1/4-20 x 3/4" Lg.
45	710-0198		Hex Sems Bolt 5/16-18 x .75" Lg.	97	710-3015		Hex Bolt 1/4-20 x .75" Lg.
46	736-0250		Fl-Wash.				

* For faster service obtain standard nuts, bolts and washers locally. If these items cannot be obtained locally, order by part number and size as shown on parts list.

Model 831



NOTE: Spring attaches to rear lift links on tractor.

Lubricate with 8 oz. of sunplex grease.
Order Part No. 737-0120.

Model 831

PARTS LIST FOR 45" SNOW THROWER ATTACHMENT

REF. NO.	PART NO.	CODE	DESCRIPTION	REF. NO.	PART NO.	CODE	DESCRIPTION
1	710-0772		Hex Bolt 5/16-24 x 2" Lg.	50	717-0870		Comp. Chain Gear Box Ass'y.
2	711-0793		Clevis Pin Spec. 3/8" Dia. x 2.62" Lg.	51	05607		Gear Box Support Brkt.
3	714-0101		Intern. Cot. Pin	52	732-0491		Ext. Spring 6" Lg.
4	736-0329		L-Wash. 1/4" I.D.*	54	784-5200		Idler Brkt. Ass'y.
5	712-0138		Hex Nut 1/4-28 Thd.	55	784-5211A		Idler Support Brkt.
6	710-0591		Hex L-Scr. 3/8-24 x 1.0" Lg.	56	736-0119		L-Wash. 5/16" I.D.*
7	710-0756		Hex Bolt 3/8-16 x 2.25" Lg.*	57	712-0116		Hex Nut 3/8-24 Thd.
8	736-0169		L-Wash. 3/8" I.D.*	59	710-0182		Hex Bolt 1/2-13 x 3" Lg.
9	736-0116		FI-Wash.	60	784-5573		Sq. Tubing 43" Lg.
10	756-0438		5/8" "V"-Pulley .79" I.D. x .65" O.D.	61	721-0158		Gasket
11	754-0229		"V"-Belt	62	710-0521		Hex Bolt 3/8-16 x 3" Lg.
12	711-0747		Belt Guard Pin	63	738-0680		Shaft—.787" Dia. x 3.81" Lg.
13	756-0405		FI-Idler 3.75" O.D.	65	712-0266		Hex L-Nut 3/8-16 Thd.
14	711-0396		Spacer .385" I.D. x .63" O.D. x .76"	67	736-0175		Wave Spring Wash. .27" I.D. x .51" O.D. x .03"
15	710-0624		Hex Bolt 5/16-24 x 1.50	68	717-0359		Complete Gear Hsg. Half—L.H.
16	15296A		Open Brg. Hsg.	69	741-0131		Ball Brg. 1" I.D. x 2" O.D.
	15297A		Open Brg. Hsg. Ass'y. (Incl. Ref. 18)	70	713-0346A		11-2 x .5 Pitch Sprocket Shaft Ass'y.
17	784-5146		Carr. Brkt.	71	750-0612A		Spacer 1" I.D. x 1.18" O.D. x .44"
18	741-0919		Ball Brg. .787" I.D.	72	717-0360		Comp. Gear Hsg. Half—R.H.
19	750-0456		Spacer .8" I.D. x 1" O.D.	73	710-0299		Hex Bolt 1/4-28 x 1" Lg.
20	784-5148A		Guide Brkt. Ass'y.	74	710-0591		Hex L-Scr. 3/8-24 x 1" Lg.
21	784-5227		Belt Cover Ass'y.	76	721-0117		Oil Seal 1.25" I.D.
22	750-0659		Sq. Tubing 43" Lg.	77	748-0194		Flange Brg. 1.25" I.D.
24	712-0798		Hex Nut 3/8-16 Thd.	78	736-0246		FI-Wash. 1.25" I.D. x 2" O.D. x .036"
25	711-0231		Clevis Pin .50" Dia. x 1.75" Lg.	79	713-0348		DBL Sprocket 19-2 Teeth x .5" Pitch
26	741-0163		Brg. Hsg. Ass'y. (Incl. Ref. 18)	80	716-0116		Snap Ring for 1.25" Dia. Shaft
27	750-0660		Spacer .8" I.D. x 1" O.D. x .125"	81	738-0677		Gear Shaft 1.25 Dia. x 6" Lg.
28	714-0161		Woodruff Key 3/16" x 5/8" HT	82	714-0113		Hi-Pro Key 1/4" x 7/8"
29	732-0323		Helper Spring	83	713-0349		40-2 Chain 1/2" Pitch x 25 Links
30	710-0600		Hex Wash. HD-Tap Scr. 5/16-18 x .50	84	713-0152		Master Link #40 Type IV
31	710-0591		Hex L-Scr. 3/8-24 x 1.0" Lg.	85	712-0123		Hex Nut 5/16-24 Thd.*
33	754-0295		"V"-Belt	86	750-0535		Spacer .380" I.D. x .625" O.D. x .227"
34	750-0668		Spacer .39" I.D. x .62" O.D. x 1.74" Lg.	88	736-0272		FI-Wash. .53" I.D. x 1" O.D. x .06"
35	756-0487		V-Idler Pulley		784-5199		Attaching Plate (Used w/Riders Built Before 1988)
36	784-5204		Rear Hanger Brkt.—R.H.		784-5202		Attaching Plate (Used w/Riders Built 1988-Present)
37	784-5203		Rear Hanger Brkt.—L.H.				Belt Guard
38	710-0786		Hex Bolt 1/2-13 x 4.0" Lg.	89	05406		Spindle Spacer
39	756-0474		5/8" "V"-Pulley 7.5" O.D.	90	14088B		Hex L-Nut 1/4-20 Thd.
40	736-0921		L-Wash. 1/2" I.D.*	91	712-0107		Hex Bolt 3/16 x 1" Lg.
41	712-0206		Hex Nut 1/2-13 Thd.	92	710-0514		Weight Box Ass'y.
42	756-0438		5/8" "V"-Pulley	93	784-5147		Lift Brkt. Pin
44	738-0347		Shld. Spacer	94	711-0332		Extension Spring
45	736-0247		FI-Wash. .4" I.D. x 1.25" O.D. x .16"	95	732-0388		Deck Lift Link Ass'y.
46	710-0528		Hex Bolt 5/16-18 x 1.25" Lg.	97	17304		Hex Bolt 5/16-18 x 1.5" Lg.
47	736-0242		Bell-Wash. .345" I.D. x .88" O.D. x .06"	98	710-0959		Spring Insert
49	712-0267		Hex Nut 5/16-18 Thd.*	99	711-0509		Spring Mtg. Brkt.
				100	784-5686		

* For faster service obtain standard nuts, bolts and washers locally. If these items cannot be obtained locally, order by part number and size as shown on parts list.