



Owner's Manual / Manual del Propietario

Pressure Washer / Lavadora de Presión
Model / Modelo 01903



IMPORTANT: READ SAFETY RULES AND INSTRUCTIONS CAREFULLY
IMPORTANTE: LEYO LA SEGURIDAD LAS ORDENES Y LAS INSTRUCCIONES DETENIDAMENTE

Questions? Preguntas?

Helpline - 1-888-611-6708 M-F 8-5 CT

Troy-Bilt® is a registered trademark of Troy-Bilt, LLC and is used under license to Briggs & Stratton Power Products.

Troy-Bilt® es una marca registrada de Troy-Bilt, LLC y se usa abajo licencia a Briggs & Stratton Power Products.

BRIGGS & STRATTON POWER PRODUCTS GROUP, LLC
JEFFERSON, WISCONSIN, U.S.A.

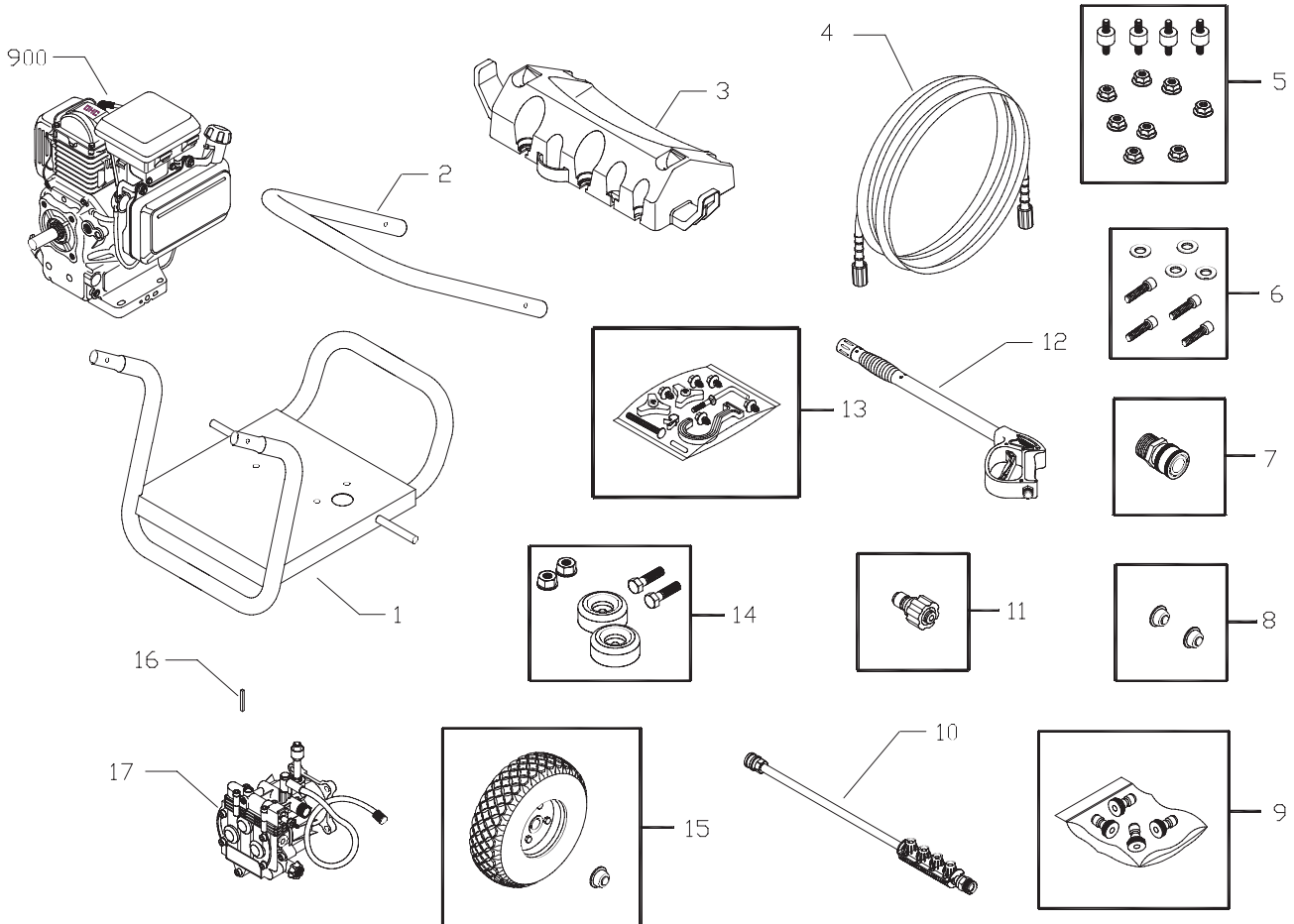


Printed in USA

Manual No. 193861GS Revision I (12/17/2003)

Exploded Views and Parts Lists

EXPLODED VIEW AND PARTS LIST — UNIT



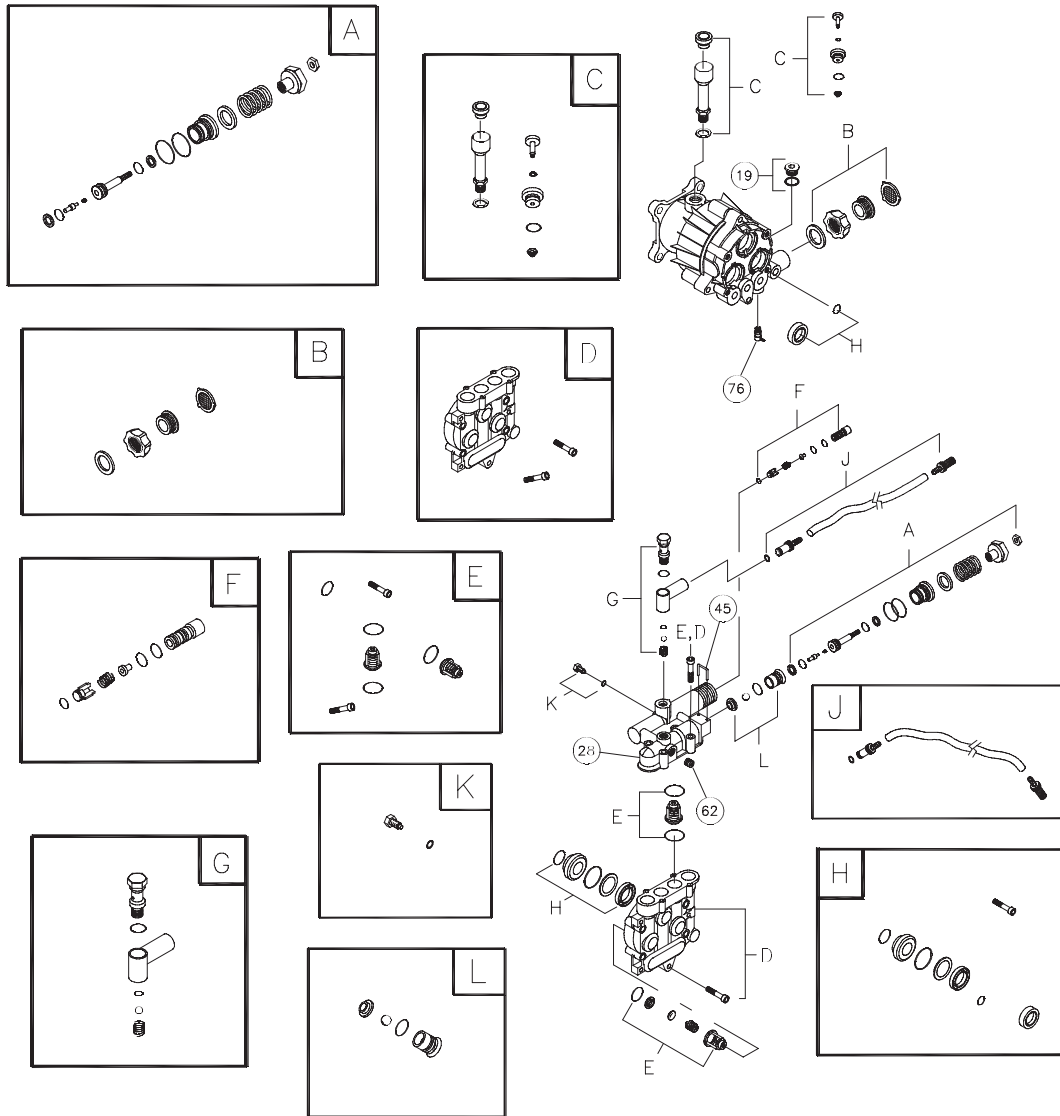
Item	Part #	Description	Item	Part #	Description
1	B190156GS	BASE	10	95519GS	QUICK CONNECT,Wand End
2	B187602GS	HANDLE	11	95518GS	QUICK CONNECT,Wand/Acc
3	I92088GS	ASSY, Billboard	12	I90147GS	PUSHNUT
4	I90249GS	HOSE	13	I92199GS	EXTENSION
5	I92134GS	KIT, Engine Mounting Hardware	14	B4150GS	KIT, Spray Tips
6	I92131GS	KIT, Pump Mounting Hardware	15	I92526GS	KIT, Wheel
7	I90049GS	GUN	16	23139DGS	KEY
8	I90668GS	KIT, Handle Fasteners	17	I94106GS	ASSY, Pump (see page 19)
9	I92123GS	KIT,Vibration Mount	900	NSP	ENGINE

Items Not Illustrated

Part #	Description
I93861GS	MANUAL, Owner's
I92527GS	KIT, Tag, Safety
BB3061BGS	OIL, Engine
I91922GS	KIT, O-RING MAINT & NZZL CLNNG

Section 8: Exploded Views and Parts Lists

EXPLODED VIEW AND PARTS LIST — PUMP



Item	Part #	Description
19	190571GS	CAP, Oil
28	190673GS	MANIFOLD
45	190578GS	PIN
62	190581GS	CAP
76	194298GS	THERMAL RELIEF
77	190585GS	OIL BOTTLE (not shown)
A	190594GS	KIT, UNLOADER
B	190670GS	KIT, WATER INLET
C	190669GS	KIT, BREATHER TUBE
D	193808GS	KIT, HEAD BRASS

Item	Part #	Description
E	193806GS	KIT, CHECK VALVES
F	190592GS	KIT, INLET CHECK
G	190593GS	KIT, CHEMICAL INJECTION
H	193807GS	KIT, SEAL SET
J	189971GS	KIT, CHEMICAL HOSE
K	193971GS	KIT, PIPE FITTING
L	193972GS	KIT, UNLOADER SEAT

NOTE: Item letters A - L are service kits and include all parts shown within the box.