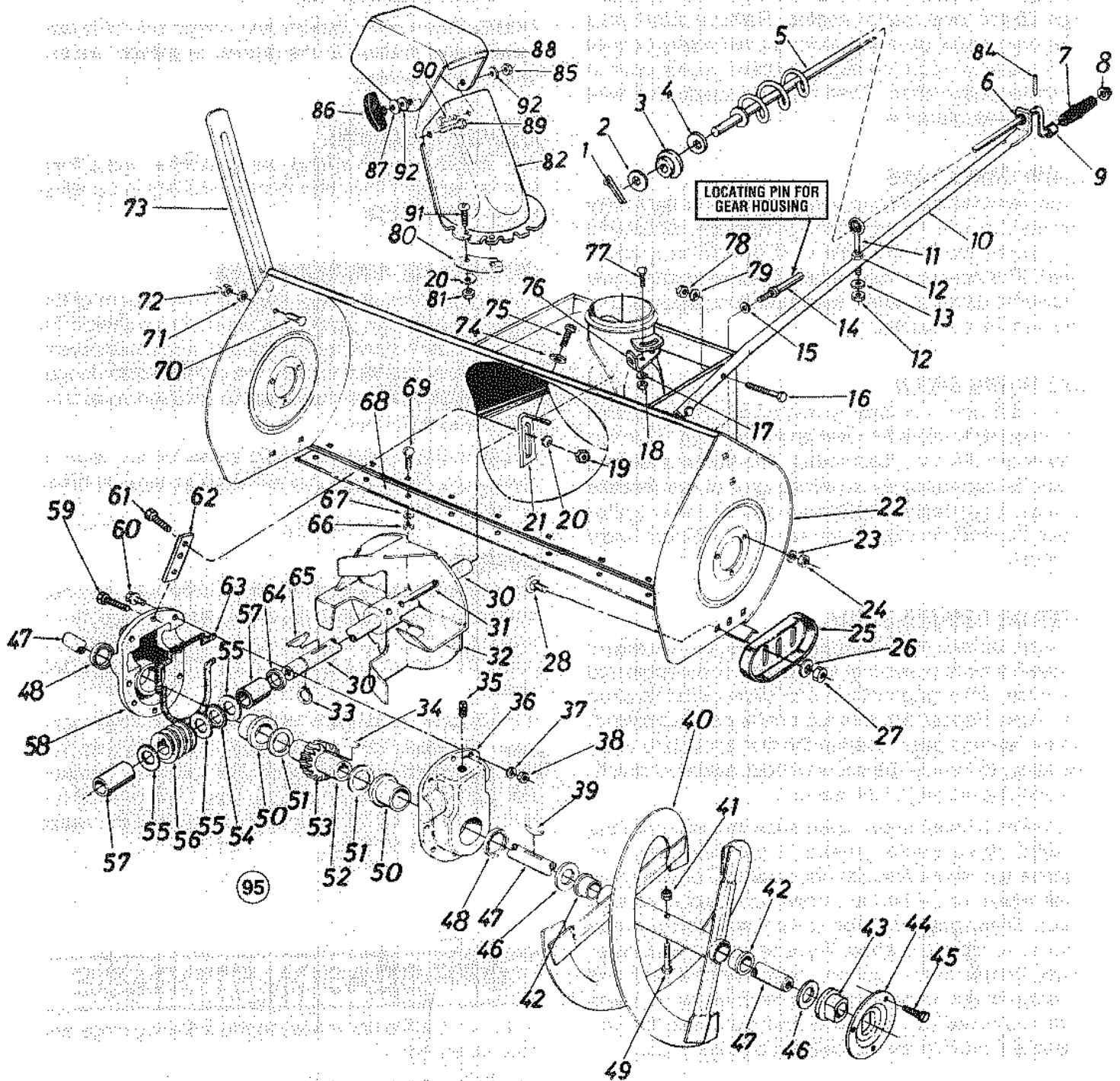


Model 990



NOTE: Lubricate with 4 oz. Shell Alvania Grease
EPR00. Order Part No. 737-0168.

NOTE: Specifications subject to change without
notice or obligation.

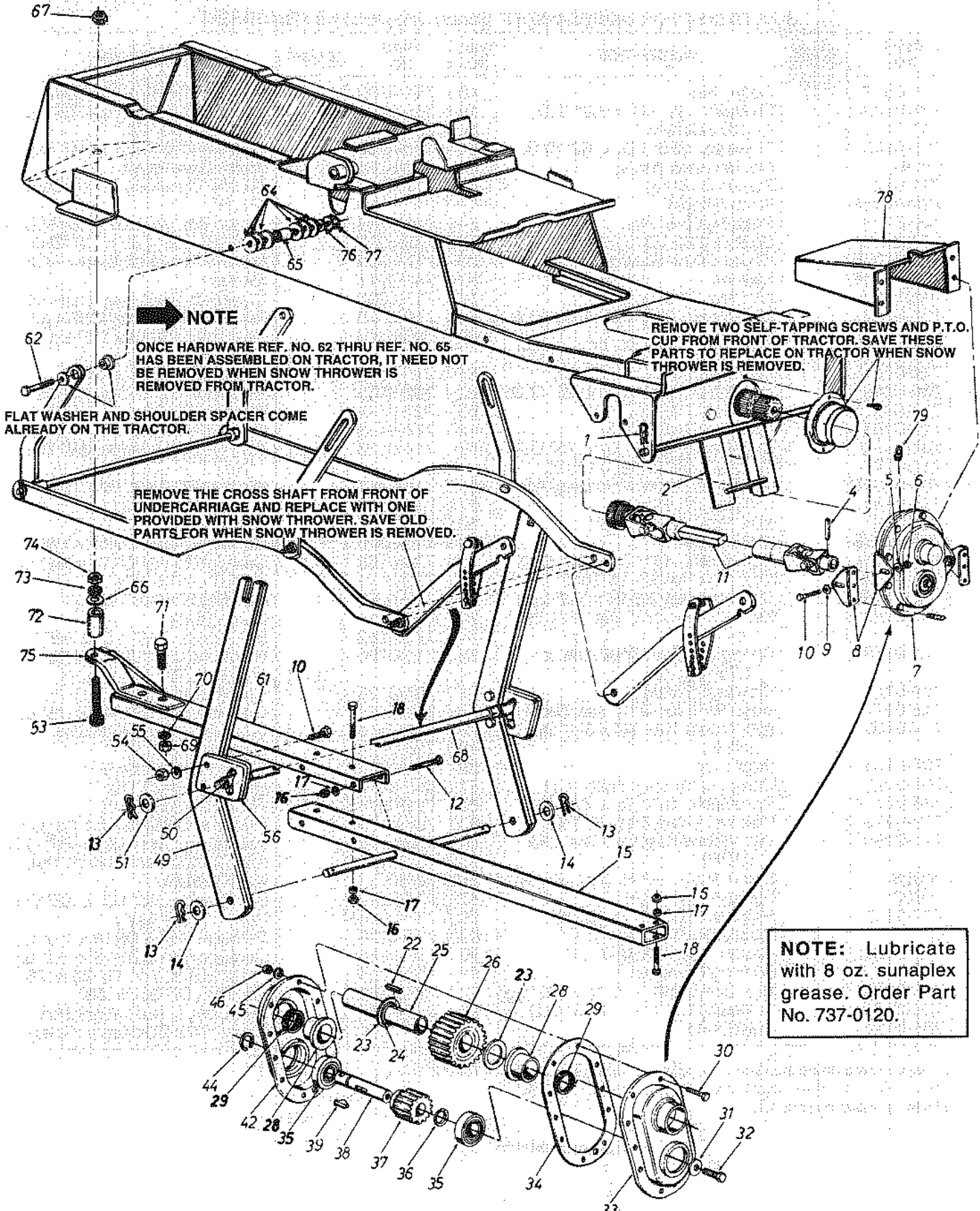
Model 990

PARTS LIST FOR MODEL 990 45" SNOW THROWER ATTACHMENT

REF. NO.	PART NO.	CODE	DESCRIPTION	REF. NO.	PART NO.	CODE	DESCRIPTION
1	714-0507		Cotter Pin	48	741-0182		Flange Bearing 1.503" I.D.
2	736-0140		FI-Wash. .39" I.D. x .62" O.D.	49	710-0891		Shear Bolt 5/16-18 x 1.75" Lg.
3	741-0475		Plastic Bushing	50	721-0146		Oil Seal 1.50" I.D.
4	736-0140		FI-Wash. .385" I.D. x .62" O.D.	51	736-0266		FI-Wash. 1.50" I.D. x 2.0" O.D.
5	05982		Chute Crank Ass'y.	52	738-0275		Worm Gear Shaft
6	741-0471		Plastic Bushing	53	717-0300		Double Threaded Worm Gear— L.H.
7	720-0201A		Knob (Black)				Thrust Brg. .88" I.D. x 1.44" O.D.
8	726-0100		Push Nut 3/8" Rod	54	741-0184		FI-Wash. .88" I.D. x 1.4" O.D.
9	750-0526		Spacer .385 I.D. x .50" O.D.	55	736-0291		Double Threaded Worm—L.H.
10	749-0230B		Chute Crank Support Tubing	56	717-0299		Sleeve
11	747-0416A		Eyebolt	57	741-0217		Complete Gear Hsg. Half—R.H.
12	712-0267		Hex Nut 5/16-18 Thd.*	58	717-0298		Hex Bolt 5/16-18 x 1.25" Lg.*
13	736-0242		Bell-Wash. .345" I.D. x .88" O.D.	59	710-0528		Hex Bolt 5/16-18 x 1.0" Lg. (Gr. 5)
14	711-0640		Stud 3/8-16 x 2.75" Lg.	60	710-0376		Hex Bolt 1/4-28 x .75" Lg.
15	736-0105		Bell-Wash. .40" I.D. x .88" O.D.	61	710-0412		Gear Housing Support Plate
16	710-0191		Hex Bolt 3/8-24 x 1.25" Lg.*	62	784-5075		Rubber Gasket
17	736-0242		Bell-Wash. .345" I.D. x .88" O.D.	63	721-0144		Oil Seal—.875" I.D.
18	712-0267		Hex Nut 5/16-18 Thd.*	64	721-0145		#9 Hi-Pro Key 3/16 x 3/4" Dia. (HT)
19	712-0138		Hex Nut 1/4-28 Thd.	65	714-0126		Hex Nut 5/16-18 Thd.*
20	736-0270		Bell-Wash. .265" I.D. x .75" O.D.	66	712-0267		L-Wash. 5/16" I.D.*
21	784-5076		Gear Housing Support Brkt.	67	736-0119		Shave Plate
22	784-5036C		45" Snow Thrower Housing Ass'y.	68	05598		Carriage Bolt 5/16-18 x 1.0" Lg.*
23	736-0119		L-Wash. 5/16" I.D.*	69	710-0276		Carriage Bolt 5/16-18 x .62" Lg.*
24	712-0267		Hex Nut 5/16-18 Thd.*	70	710-0260		L-Wash. 5/16" I.D.*
25	784-5038B		Slide Shoe	71	736-0119		Hex Nut 5/16-18 Thd.*
26	736-0105		Bell-Wash. .40" I.D. x .88" O.D.	72	712-0267		Guide Blade
27	712-0342		Hex Jam Nut 3/8-16 Thd.	73	05139		Bell-Wash. .345" I.D. x .88" O.D.
28	710-0790		Carriage Bolt 3/8-16 x .62" Lg.*	74	736-0242		Hex Wash. Hd. AB-Tap Scr. 5/16 x .75" Lg.
30	738-0679		Blower Axle .875" Dia. x 14.75" Lg.	75	710-0726		Chute Crank Brkt.
31	715-0118		Spring Pin Spir. 5/16" Dia. x 1.75" Lg.	76	784-5123		Carriage Bolt 5/16-18 x .75" Lg.*
32	784-5145		Blower Fan Ass'y.	77	710-0451		Hex Ins. L-Nut 3/8-24 Thd.
33	716-0111		Snap Ring for .875" Dia. Shaft	78	712-0116		L-Wash. 3/8" I.D.*
34	714-0135		#91 Woodr-Key 1/4 x 3/4" Dia. (HDN)	79	736-0169		Chute Flange Keeper
35	737-0175		Vent Plug	80	731-0851A		Hex Nut 1/4-20 Thd.*
36	717-0297		Comp. Gear Hsg. Half—L.H.	81	712-0287		Lower Chute Ass'y.
37	736-0271		Spr-Wash. .32" I.D. x .62" O.D.	82	731-0843B		FI-Wash. .285" I.D. x 1.25" O.D.
38	712-0429		Hex Ins. L-Nut 5/16-18 Thd.	83	736-0179		Bell-Wash. .345" I.D. x .88" O.D.
39	714-0135		#91 Woodr-Key 1/4 x 3/4" Dia. (HDN)	84	736-0242		Hex Cent. L-Nut 5/16-18 Thd.
40	05608		Spiral Ass'y.—R.H. (Not Shown)	85	712-0158		Knob Handle
	05609		Spiral Ass'y.—L.H.	86	09966		Bell-Wash. .345" I.D. x .88" O.D.
41	712-0429		Hex Ins. L-Nut 5/16-18 Thd.	87	736-0242		Upper Chute Ass'y.
42	05136		Plastic Bushing	88	731-0846B		Carriage Bolt 5/16-18 x 1.0" Lg.*
43	741-0192		Flange Brg. w/Flats 1" I.D.	89	710-0276		Carriage Bolt 5/26-18 x .62" Lg.*
44	05845		Bearing Housing	90	710-0260		Truss Mach. Scr. 1/4-20 x .75"
45	710-0198		Hex Sems Bolt 5/16-18 x .75" Lg.	91	710-0255		Roll Pin .12" Dia. x .63"
46	736-0250		FI-Wash. 1.0" I.D. x 1.75" O.D.	92	715-0138		Hex Cent. L-Nut 1/4-20 Thd.
47	738-0492		Spiral Axle	94	712-0107		Worm Gear Box Ass'y. Comp.
				95	717-0871A		

*For faster service obtain standard nuts, bolts and washers locally.
If these items cannot be obtained locally, order by part number
and size as shown on parts list.

Model 990



NOTE

ONCE HARDWARE REF. NO. 62 THRU REF. NO. 65 HAS BEEN ASSEMBLED ON TRACTOR, IT NEED NOT BE REMOVED WHEN SNOW THROWER IS REMOVED FROM TRACTOR.

FLAT WASHER AND SHOULDER SPACER COME ALREADY ON THE TRACTOR.

REMOVE THE CROSS SHAFT FROM FRONT OF UNDERCARRIAGE AND REPLACE WITH ONE PROVIDED WITH SNOW THROWER. SAVE OLD PARTS FOR WHEN SNOW THROWER IS REMOVED.

REMOVE TWO SELF-TAPPING SCREWS AND P.T.O. CUP FROM FRONT OF TRACTOR. SAVE THESE PARTS TO REPLACE ON TRACTOR WHEN SNOW THROWER IS REMOVED.

NOTE: Lubricate with 8 oz. sunaplex grease. Order Part No. 737-0120.

Model 990

PARTS LIST FOR MODEL 990 45" SNOW THROWER ATTACHMENT

REF. NO.	PART NO.	CODE	DESCRIPTION	REF. NO.	PART NO.	CODE	DESCRIPTION
1	714-0117		Intern. Cotter Pin 3/4" Dia.	40	741-0131		Ball Brg. 1.0" I.D. x 2.0" O.D.
2	05613		Guide Bracket Ass'y.	41	748-0194		Flange Brg. 1.25" I.D. x 1.75" O.D.
4	715-0113		Spring Pin Spiral 5/16" Dia. x 2.5" Lg.	42	717-0360		Compl. Gear Hsg. Half—R.H.
5	736-0242		Bell-Wash. .341" I.D. x .88" O.D.	43	721-0117		Oil Seal 1.25" I.D. x 1.75" O.D. x .26"
6	712-0267		Hex Nut 5/16-18 Thd.*	44	716-0118		Snap Ring for 1.0" Dia. Shaft
7	717-0870		Gear Box Ass'y. Comp.	45	736-0175		Spring Wash. 1/4" I.D.
8	05607		Gear Box Support Brkt.	46	712-0138		Hex Nut 1/4-28 Thd.
9	736-0242		Bell-Wash. .341" I.D. x .88" O.D.	47	736-0156		Fl-Wash. .62" I.D. x 1.12" O.D.
10	710-0118		Hex Bolt 5/26-18 x .75" Lg.*	48	714-0147		Hairpin Cotter
11	717-0366A	N	Universal Drive Shaft Ass'y.	49	13780		Lift Bar
12	710-0620		Hex Bolt 3/8-24 x 4.5" Lg.*	50	750-0444		Spacer
13	714-0147		Hairpin Cotter	51	736-0156		Fl-Wash. .62" I.D. x 1.12" O.D.
14	736-0156		Fl-Wash. .62" I.D. x 1.12" O.D.	52	714-0147		Hairpin Cotter
15	05670		Lift Shaft Ass'y.	53	710-0763		Hex Bolt 5/8-18 x 4.0" Lg.
16	712-0116		Hex Ins. Jam L-Nut 3/8-24 Thd.	54	712-0267		Hex Nut 5/16-18 Thd.*
17	736-0169		L-Wash. 3/8" I.D.*	55	736-0119		L-Wash. 5/16" I.D.*
18	710-0629		Hex Bolt 3/8-24 x 2.75" Lg.*	56	13781		Lift Bar Cam
19	736-0169		L-Wash. 3/8" I.D.*	57	712-0116		Hex Ins. L-Nut 3/8-24 Thd.
20	712-0116		Hex Ins. Jam L-Nut 3/8-24 Thd.	58	736-0169		L-Wash. 3/8" I.D.*
22	736-0246		Fl-Wash. 1.31" I.D. x 2.0" O.D. x .060	59	710-0629		Hex Bolt 3/8-24 x 2.75"
24	716-0116		Snap Ring for 1/25" Dia. Shaft	60	710-0376		Hex Bolt 5/16-18 x 1.0" Lg.*
25	738-0677		Gear Shaft 1.25" Dia. x 6.0" Lg.	61	05611		Lift Bracket
26	717-0362		28 Teeth Spur Gear	62	710-0369		Hex Bolt 3/8-24 x 2.5" Lg.
27	736-0246		Fl-Wash. 1.31" I.D. x 2.0" O.D. x .060"	64	736-0258		Fl-Wash. .375" I.D. x 1.0" O.D. x .135"
28	748-0194		Flange Brg. 1.25" I.D. x 1.75" O.D.	65	750-0497		Spacer .275" I.D. x .625" O.D. x .440"
29	721-0117		Oil Seal 1.25" I.D. x 1.75" O.D. x .26"	66	736-0156		Fl-Wash. .62" I.D. x 1.12" O.D.
30	710-0281		Hex Bolt 1/4-28 x .88" Lg.	67	712-0221		Hex Jam L-Nut 5/8-18 Thd.
31	736-0247		Fl-Wash. .40" I.D. x 1.25" O.D. x .160"	68	13789		Cross Shaft Ass'y.
32	710-0591		Hex L-Scr. 3/8-24 x 1.0" Lg.	69	712-0206		Hex Nut 1/2-13 Thd.*
33	717-0359		Compl. Gear Hsg. Half—L.H.	70	736-0921		L-Wash. 1/2" I.D.*
34	721-0158		Gasket	71	710-0474		Hex Bolt 1/2-13 x 1.25"
35	741-0131		Ball Brg. 1.0" I.D. x 2.0" O.D.	72	750-0462		Bushing
36	736-0259		Fl-Wash. 1.03" I.D. x 1.63" x .090"	73	736-0158		L-Wash. 5/8" I.D.*
37	717-0361		15 Teeth Spur Gear	74	712-0318		Hex Jam Nut 5/8-18 Thd.
38	738-0361A		Input Shaft	75	05646		Tongue Ass'y.
39	714-0135		Woodruff Key 1/4" x 3/4" Dia.	76	736-0169		L-Wash. 3/8" I.D.*
				77	712-0241		Hex Nut 3/8-24 Thd.*
				78	784-5093A	N	Drive Shaft Cover
				79	746-0146		Grease Fitting

*For faster service obtain standard nuts, bolts and washers locally. If these items cannot be obtained locally, order by part number and size as shown on parts list.