

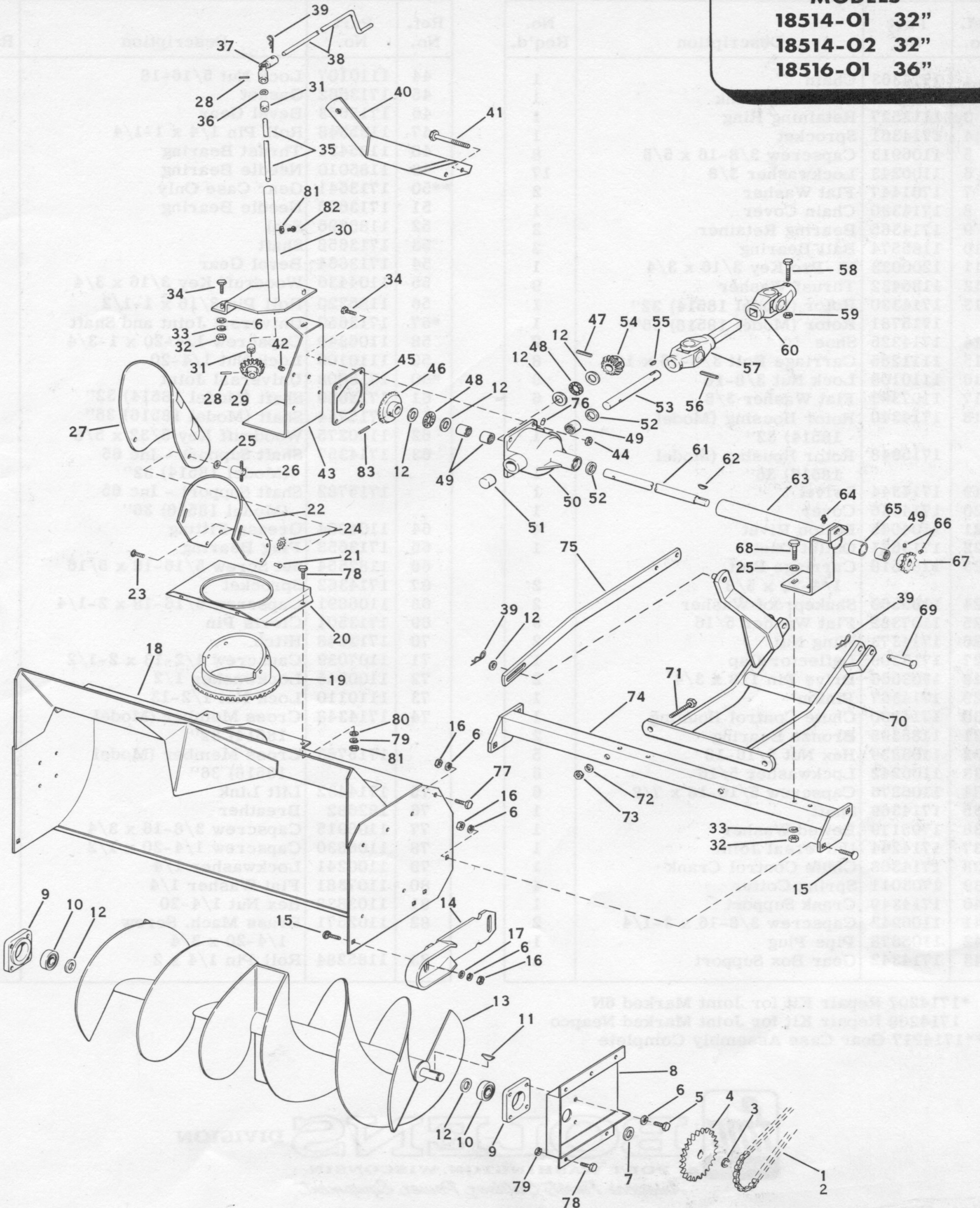
# ILLUSTRATED PARTS LIST

# BOLENS

## SNO-CASTER ATTACHMENT

### MODELS

18514-01 32"  
18514-02 32"  
18516-01 36"



Ref. No.	Part No.	Description	No. Req'd.
1	1714363	Chain	1
2	1185026	Connector Link	1
3	1113527	Retaining Ring	1
4	1714361	Sprocket	1
5	1106913	Capscrew 3/8-16 x 5/8	8
6	1100243	Lockwasher 3/8	17
7	1701447	Flat Washer	2
8	1714380	Chain Cover	1
9	1714365	Bearing Retainer	2
10	1185574	Ball Bearing	2
11	1200033	Hi-Pro Key 3/16 x 3/4	1
12	1185432	Thrust Washer	9
13	1714330	Rotor (Model 18514) 32"	1
	1715781	Rotor (Model 18516) 36"	1
14	1714325	Shoe	2
15	1111285	Carriage Bolt 3/8-16 x 1	8
16	1110108	Lock Nut 3/8-16	9
17	1107383	Flat Washer 3/8	6
18	1714340	Rotor Housing (Model 18514) 32"	1
	1715948	Rotor Housing (Model 18516) 36"	1
19	1714344	Swivel	1
20	1714346	Cover	1
21	1104045	Button Rivet	4
22	1713621	Outlet Duct	1
23	1185518	Carriage Bolt 1/4-20 x 5/8	2
24	1185569	Shakeproof Washer	2
25	1107382	Flat Washer 5/16	9
26	1714373	Wing Nut	2
27	1713308	Deflector Cap	1
28	1703066	Drive Pin 1/8 x 3/4	2
29	1714367	Pinion	1
30	1714360	Chute Control Housing	1
31	1185395	Bronze Bearing	2
32	1103839	Hex Nut 5/16-18	5
33	1100242	Lockwasher 5/16	6
34	1106876	Capscrew 5/16-18 x 7/8	6
35	1714369	Shaft	1
36	1705119	Bowed Washer	1
37	1714244	Universal Joint	1
38	1714368	Chute Control Crank	1
39	1703011	Spring Cotter	4
40	1714349	Crank Support	1
41	1106942	Capscrew 3/8-16 x 3-1/4	2
42	1105678	Pipe Plug	1
43	1714342	Gear Box Support	1

Ref. No.	Part No.	Description	No. Req'd.
44	1110107	Lock Nut 5/16-18	4
45	1713662	Gasket	1
46	1713663	Bevel Gear	1
47	1185348	Roll Pin 1/4 x 1-1/4	1
48	1185431	Thrust Bearing	2
49	1185010	Needle Bearing	4
**50	1713641	Gear Case Only	1
51	1713665	Needle Bearing	1
52	1185296	Seal	2
53	1713658	Shaft	1
54	1713664	Bevel Gear	1
55	1104436	Woodruff Key 3/16 x 3/4	1
56	1185220	Roll Pin 3/16 x 1-1/2	1
*57	1713650	Universal Joint and Shaft	1
58	1106849	Capscrew 1/4-20 x 1-3/4	1
59	1110106	Lock Nut 1/4-20	1
*60	1715008	Universal Joint	1
61	1713659	Shaft (Model 18514) 32"	1
	1715744	Shaft (Model 18516) 36"	1
62	1100275	Woodruff Key 5/32 x 5/8	1
63	1714357	Shaft Support - Inc 65 (Model 18514) 32"	1
	1715782	Shaft Support - Inc 65 (Model 18516) 36"	1
64	1104954	Grease Fitting	1
65	1713653	Plug Bearing	1
66	1182554	Set Screw 5/16-18 x 5/16	2
67	1714362	Sprocket	1
68	1106891	Capscrew 5/16-18 x 2-1/4	4
69	1713501	Clevis Pin	2
70	1713648	Hitch	1
71	1107039	Capscrew 1/2-13 x 2-1/2	2
72	1100245	Lockwasher 1/2	2
73	1110110	Lock Nut 1/2-13	2
74	1714348	Cross Member (Model 18514) 32"	1
	1715783	Cross Member (Model 18516) 36"	1
75	1714432	Lift Link	1
76	182682	Breather	1
77	1106915	Capscrew 3/8-16 x 3/4	1
78	1106830	Capscrew 1/4-20 x 1/2	9
79	1100241	Lockwasher 1/4	9
80	1107381	Flat Washer 1/4	4
81	1103838	Hex Nut 1/4-20	3
82	1102571	Brass Mach. Screw 1/4-20 x 3/4	1
83	1185284	Roll Pin 1/4 x 2	1

\*1714207 Repair Kit for Joint Marked 6N

1714208 Repair Kit for Joint Marked Neapco

\*\*1714217 Gear Case Assembly Complete