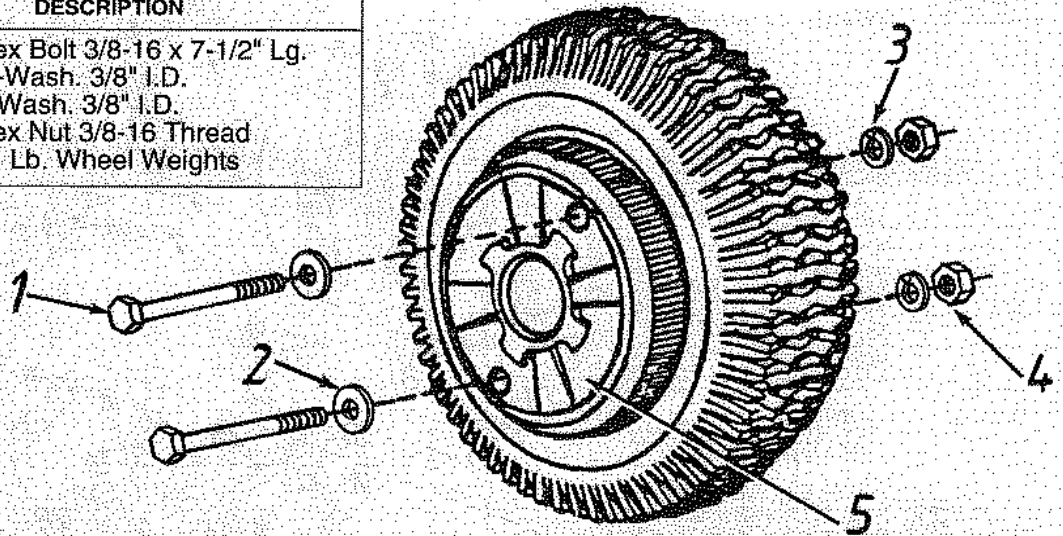


31 LB. WHEEL WEIGHTS

**Model Number
190-215-000**

PARTS LIST FOR MODEL 190-215 WHEEL WEIGHTS

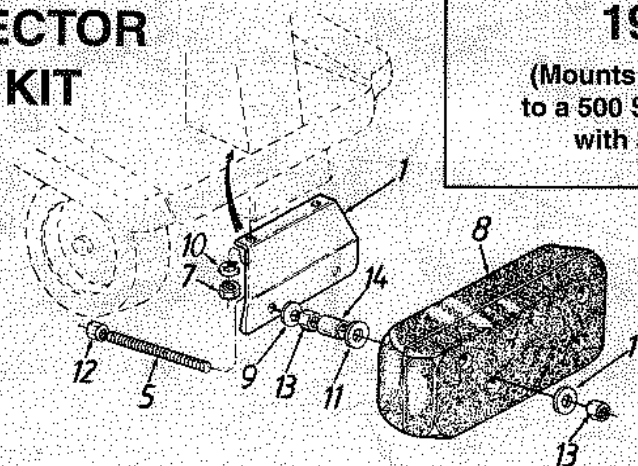
REF. NO.	PART NO.	QTY.	DESCRIPTION
1	710-1235	4	Hex Bolt 3/8-16 x 7-1/2" Lg.
2	736-0300	4	Fl-Wash. 3/8" I.D.
3	736-0169	4	L-Wash. 3/8" I.D.
4	712-0798	4	Hex Nut 3/8-16 Thread
5	723-0377	2	31 Lb. Wheel Weights



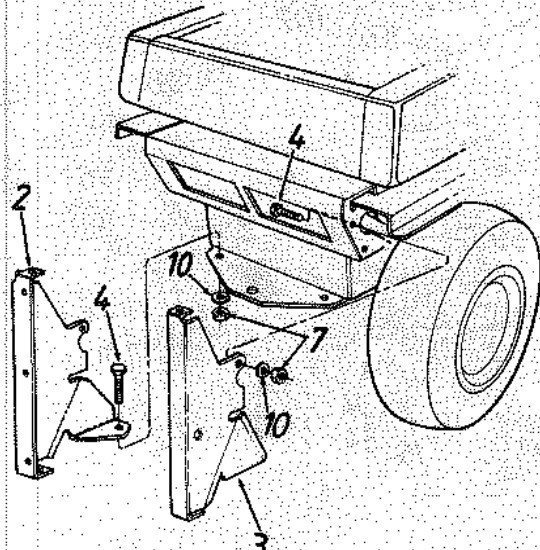
TWIN BAG GRASS COLLECTOR MOUNTING KIT

**Model Number
190-435-000**

(Mounts the 063 Grass Collector to a 500 Series Rear Engine Rider with 30", 32" or 38" Deck)



PARTS LIST FOR MODEL 435 GRASS COLLECTOR MOUNTING KIT



REF. NO.	PART NO.	CODE	DESCRIPTION	QTY.
1	15540		Counterweight Support Brkt.	1
2	15970A		Catcher Support Brkt.—R.H.	1
3	15971A		Catcher Support Brkt.—L.H.	1
4	710-0376		Hex Bolt 5/16-18 x 1.0" Lg.	4
5	711-3373		Stud 7/16-14 x 5-5/8" Lg.	2
7	712-3010		Hex Nut 5/16-18 Thd. (Gr. 5)	6
8	723-0367		Front Counterweight	1
9	736-0439		Bell-Wash. 7/16" I.D.	2
10	736-0119		L-Wash. 5/16" I.D.*	6
11	736-0322		Fl-Wash. .45" I.D.	4
12	712-0290		Hex L-Nut 7/16-14 Thd.	2
13	712-3019		Hex Nut 7/16-14 Thd.	4
14	750-0499		Spacer	2