

---

FMC CORPORATION®

SNOW THROWER  
MODELS

524-01, 726-01 & 832-01

**ILLUSTRATED  
PARTS  
CATALOG**



**BOLENS**

PORT WASHINGTON, WISCONSIN, U.S.A.

PRINTED IN U.S.A.

FORM NO. P-552548

7-72

PRINTED AT BOLENS

# MODELS 524-01, 726-01 & 832-01 SNOW THROWERS

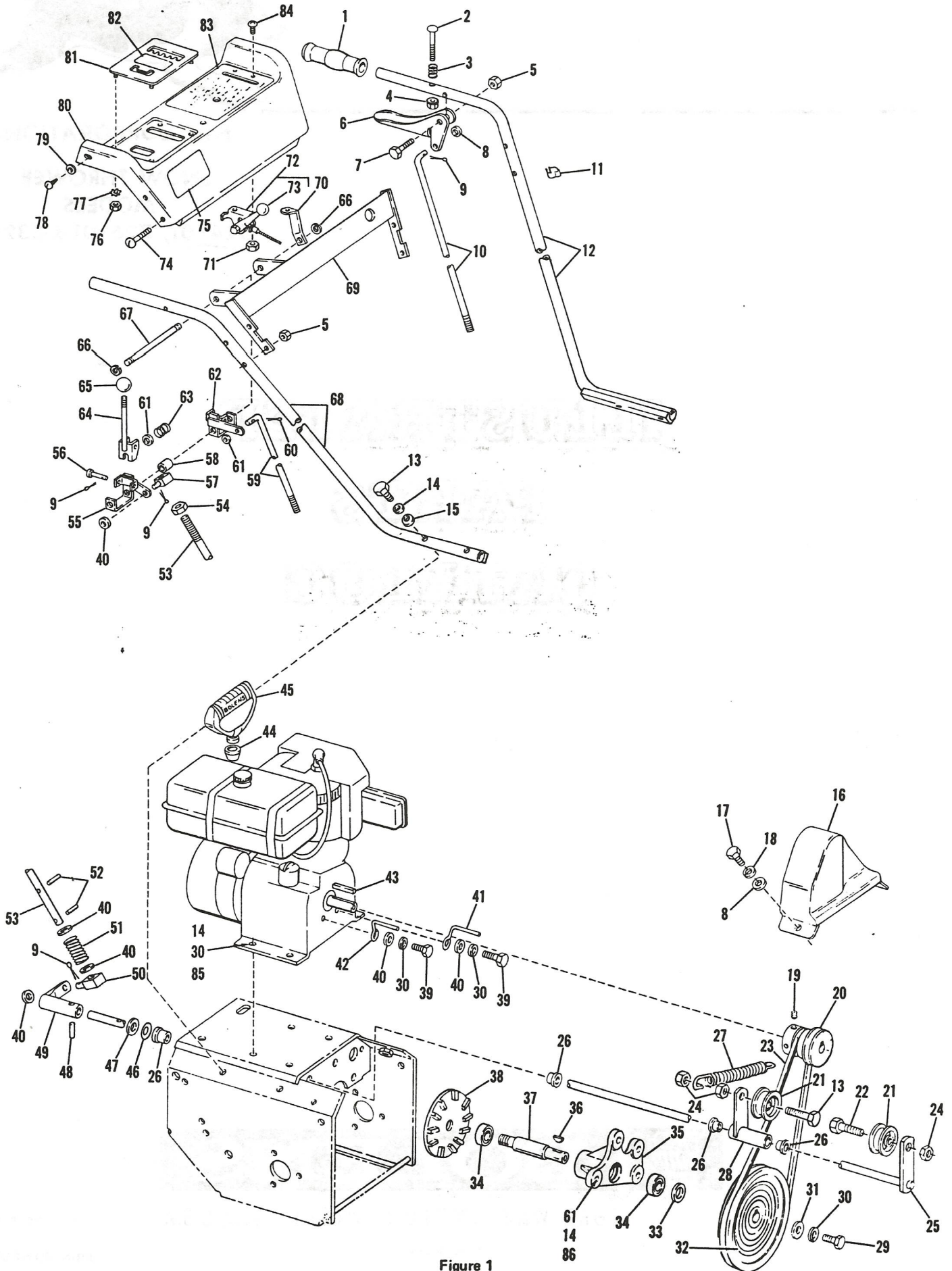


Figure 1



**MODELS 524-01, 726-01 & 832-01 SNOW THROWERS**

Ref. No.	Part No.	Description	524-01	726-01	832-01
1	1703 539	Handle Grip	2	2	2
2	1102 774	Carriage Bolt, 1/4-20 x 3-1/4	1	1	1
3	1720 884	Compression Spring	1	1	1
4	1185 814	Flange Nut, 1/4-20	1	1	1
5	1110 106	Hex Lock Nut, 1/4-20	5	5	5
6	1715 131	Clutch Handle	1	1	1
7	1106 847	Hex Head Capscrew, 1/4-20 x 1-1/2	1	1	1
8	1107 381	Flat Washer, 1/4	3	3	3
9	1100 346	Cotter Pin, 3/32 x 3/4	4	4	4
10	1725 266	Clutch Control Rod	1	1	1
11	149 925	Cable Clip	1	1	1
12	1725 131	Left Hand Handle	1	1	1
13	1100 086	Hex Head Capscrew, 3/8-16 x 1-3/4	5	5	5
14	1100 243	Lockwasher, 3/8	11	11	7
15	1724 642	Washer, Special	4	4	4
16	1725 128	Belt Guard	1	1	1
17	1106 834	Hex Head Capscrew, 1/4-20 x 3/4	2	2	2
18	1100 241	Lockwasher, 1/4	2	2	2
19	1182 554	Set Screw, 5/16-18x5/16	2	2	2
20	1725 275	Engine Sheave	1	1	1
21	1720 936	Idler	2	2	2
22	1100 043	Hex Head Capscrew, 3/8-16 x 1-1/4	1	1	1
23	1720 938	V-Belt	1	1	1
24	1185 506	Self Locking Jam Nut, 3/8-16	3	3	3
25	1725 171	Idler Arm	1		
	1725 173	Idler Arm		1	1
26	1715 716	Bushing	4	4	4
27	1725 263	Extension Spring	1	1	1
28	1725 176	Idler Arm	1	1	1
29	1106 874	Hex Head Capscrew, 5/16-18 x 3/4	1	1	1
30	1100 242	Lockwasher, 5/16	3	3	7
31	1713 233	Flat Washer, Special	1	1	1
32	1725 281	Sheave	1	1	1
33	1185 830	Special Washer	1	1	1
34	1185 809	Ball Bearing	2	2	2
35	1720 906	Bearing Housing	1		
	1721 749	Bearing Housing		1	1
36	1185 885	Woodruff Key, 3/16 x 5/8	1	1	1
37	1725 188	Spindle	1	1	
	1725 189	Spindle			1
38	1720 918	Drive Plate	1	1	1
39	1107 191	Hex Head Capscrew, 5/16-24 x 3/4	2	2	2
40	1107 382	Flat Washer, 5/16	6	6	6
41	1725 260	Left Hand Belt Guide	1	1	1
42	1725 259	Right Hand Belt Guide	1	1	1
43	1187 474	Key, 1/4 Square x 2-1/4	1	1	1
44	1725 327	Starter Handle Bumper	1	1	1

Ref. No.	Part No.	Description	524-01	726-01	832-01
45	1725 153	Starter Handle	1	1	1
46	1706 782	Bowed Washer	1	1	1
47	1107 385	Flat Washer	1	1	1
48	1185 389	Drive Pin, 5/32 x 3/4	1	1	1
49	1725 160	Control Arm	1	1	1
50	1725 265	Swivel Block	1	1	1
51	1713 781	Compression Spring	1	1	1
52	1724 885	Drive Pin, 3/32 x 3/4	2	2	2
53	1725 267	Auger Control Rod	1	1	1
54	1182 563	Hex Nut, 5/16-18	1	1	1
55	1725 162	Pivot Arm	1	1	1
56	1724 760	Clevis Pin	2	2	2
57	1725 264	Swivel Block	1	1	1
58	1725 196	Spacer	1	1	1
59	1725 268	Speed Control Rod	1	1	1
60	1100 349	Cotter Pin, 1/8 x 3/4	1	1	1
61	1107 383	Flat Washer, 3/8	6	6	6
62	1725 164	Pivot Arm	1	1	1
63	1723 367	Compression Spring	2	2	2
64	1725 157	Control Lever	2	2	2
65	1715 817	Knob	2	2	2
66	1185 257	Retaining Ring	2	2	2
67	1725 195	Pivot Shaft	1	1	1
68	1725 133	Right Hand Handle	1	1	1
69	1725 144	Crossmember	1	1	1
70	1725 187	Support	1	1	1
71	1185 985	External Lockwasher Nut, #10	2	2	2
72	1725 297	Throttle Control (Incl. Ref. No. 73)	1	1	
	1725 323	Throttle Control (Incl. Ref. No. 73)			1
73	1724 527	Control Knob	1	1	1
74	1115 987	Round Head Machine Screw, 1/4-20 x 1-1/2	4	4	4
75	1723 510	Decal, Logo	1	1	1
76	1109 845	Hex Nut, #10-32	4	4	4
77	1185 489	Shakeproof Washer, #10	4	4	4
78	1185 549	Thread Cutting Screw, #10-24 x 5/8	2	2	2
79	1103 959	Flat Washer, #10	2	2	2
80	1724 881	Console	1	1	1
81	1725 155	Quadrant	1	1	1
82	1725 258	Decal, Wheel and Auger Drive	1	1	1
83	1725 307	Decal, Instructions	1	1	1
84	1115 815	Round Head Phillips Screw, #10-24 x 5/8	2	2	2
85	1100 799	Hex Head Capscrew, 5/16-18 x 1-1/2			4
	1100 068	Hex Head Capscrew, 3/8-16 x 3/4	4	4	
86	1106 913	Hex Head Capscrew, 3/8-16 x 5/8	3	3	3

# MODELS 524-01, 726-01 & 832-01 SNOW THROWERS

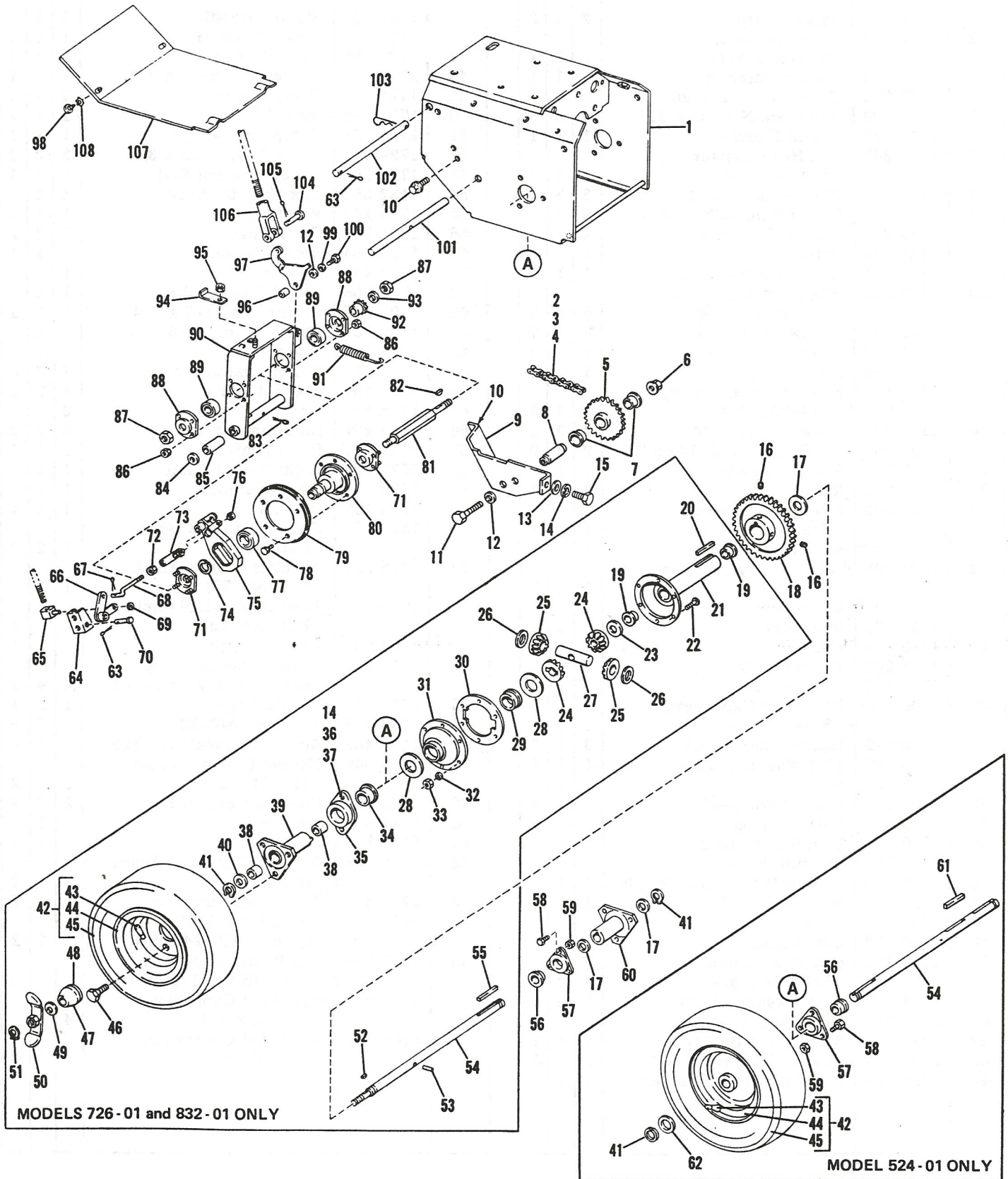


Figure 2

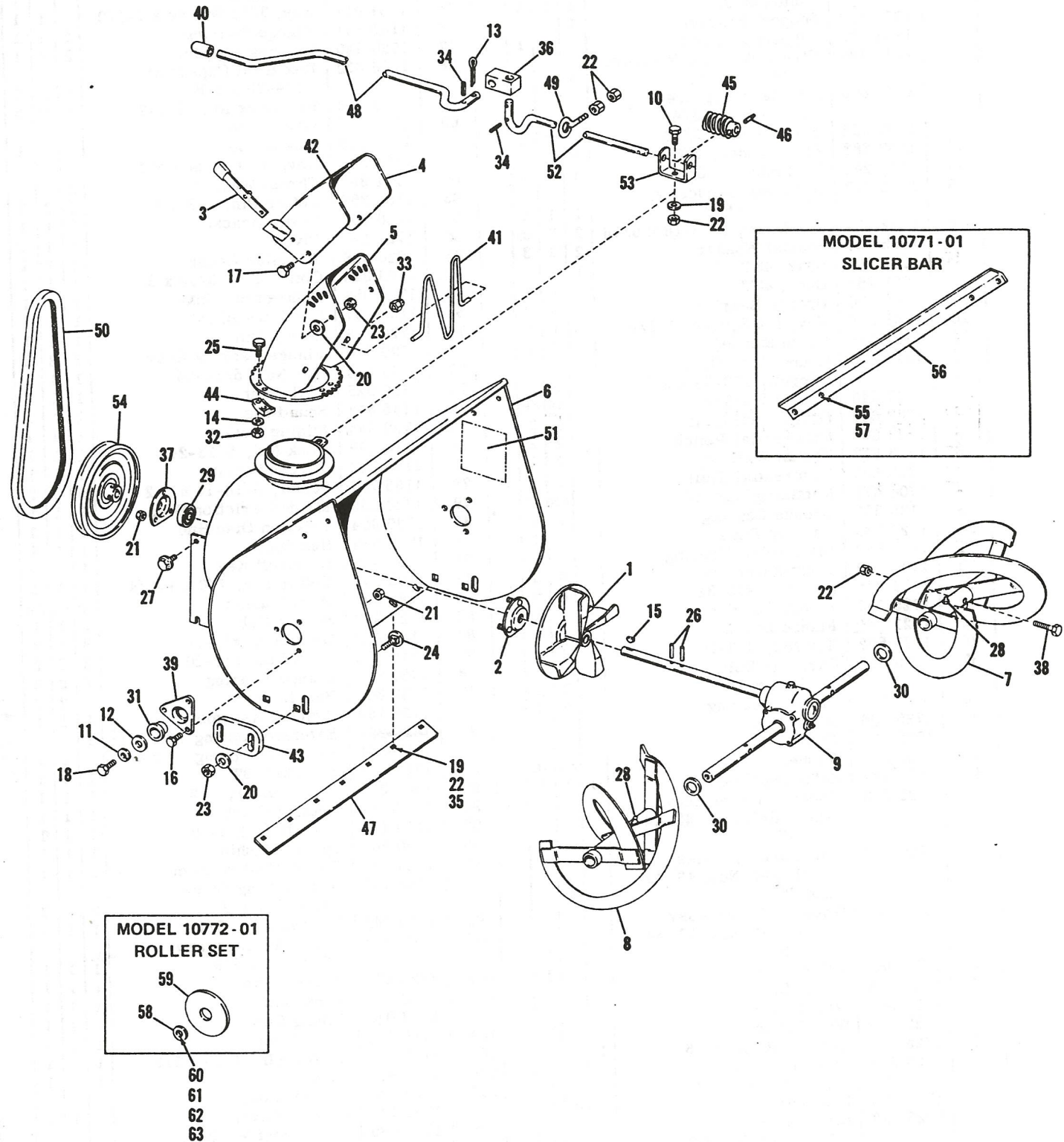


MODELS 524-01, 726-01 & 832-01 SNOW THROWERS

Ref. No.	Part No.	Description	524-01	726-01	832-01
1	1724 991	Frame	1		
	1724 990	Frame		1	1
2	182 087	Offset Link (Half Link)	1	1	1
3	1185 013	Conn. Link, #41 Chain	1	1	1
4	1720 939	Drive Chain, 1/2 Pitch, ASA #41	1	1	1
5	1720 839	Pinion and Sprocket	1	1	1
6	1185 813	Flange Nut, 5/16-18	1	1	1
7	1185 802	Flange Bearing	2	2	2
8	1720 877	Pinion Shaft	1	1	1
9	1721 713	Support Bracket	1		
	1721 735	Support Bracket		1	1
10	1185 797	Flange Whiz Lock Screw, 5/16-18 x 1/2	4	4	4
11	1111 609	Hex Head Capscrew, 5/16-18 x 2-3/4	1	1	1
12	1107 382	Flat Washer, 5/16	2	2	2
13	1107 383	Flat Washer, 3/8	1	1	1
14	1100 243	Lockwasher, 3/8	1	3	3
15	1106 913	Hex Head Capscrew, 3/8-16 x 5/8	1	1	1
16	1182 554	Set Screw, 5/16-18 x 5/16	2	2	2
17	1185 830	Special Washer	2	3	3
18	1721 763	Gear, 48T	1		
	1721 765	Gear, 48T		1	1
19	1185 390	Bronze Bearing	2	2	
20	1108 844	Key, 1/4 Square x 1-1/4	1	1	
21	1721 736	Drive Sleeve	1	1	
22	1114 755	Round Head Slotted Screw, #10-32 x 5/8	6	6	
23	1707 546	Thrust Washer	AR	AR	
24	1708 689	Differential Gear	2	2	
25	1708 688	Differential Pinion	2	2	
26	1706 873	Thrust Washer	2	2	
27	1708 690	Differential Shaft	1	1	
28	1706 471	Retaining Washer	AR	AR	
29	1185 391	Bronze Bearing	1	1	
30	1721 739	Locator Plate	1	1	
31	1708 682	Differential Housing	1	1	
32	1100 240	Lockwasher, #10	6	6	
33	1109 845	Hex Nut, #10-32	6	6	
34	1725 252	Flange Bearing	1	1	
35	1721 771	Flange Bearing	1	1	
36	1121 509	Hex Nut, 3/8-16	2	2	
37	1185 865	Carriage Bolt, 3/8-16 x 3/4	2	2	
38	1185 319	Bronze Bearing	2	2	
39	1725 166	Wheel Hub	1		
	1725 168	Wheel Hub		1	
40	1700 821	Washer	AR	AR	
41	1113 527	Retaining Ring	2	2	
42	1725 300	Wheel and Tire Assy. (Incl. Ref. Nos. 43, 44 and 45)	2		
	1725 303	Wheel and Tire Assy. (Incl. Ref. Nos. 43, 44 and 45)	2		
	1725 306	Wheel and Tire Assy. (Incl. Ref. Nos. 43, 44 and 45)	2		
43	1718 086	Valve Stem	1	1	1
44	1725 314	Wheel Disc	1		
	1725 301	Wheel Disc		1	
	1725 304	Wheel Disc		1	
45	1725 299	Tire, 4.10/3.50 x 6	1		
	1725 302	Tire, 13 x 5.00 - 6	1		
	1725 305	Tire, 13 x 6.50 - 6	1		
46	1716 223	Lug Bolt	6	6	
47	1725 183	Disc Assembly (Incl. Ref. No. 48)	1	1	

Ref. No.	Part No.	Description	524-01	726-01
48	1725 182	Facing Only		1
49	1725 198	Spring Washer		1
50	1725 180	Handle		1
51	1725 197	External Grip Ring		1
52	1100 905	Woodruff Key, 1/8 x 1/2		1
53	1715 946	Drive Pin, 1/4 x 1-1/4		1
54	1722 572	Axle Shaft	1	
	1725 193	Axle Shaft		1
	1725 194	Axle Shaft		1
55	1181 011	Key, 3/16 Square x 2-1/2		1
56	1185 801	Flange Bearing	2	1
57	1720 920	Bearing Support	2	1
58	1106 832	Hex Head Capscrew, 1/4-20 x 5/8	6	3
		Hex Lock Nut, 1/4-20	6	3
59	1110 106	Hex Lock Nut, 1/4-20		3
60	1720 855	Wheel Hub	1	
	1725 178	Wheel Hub		1
61	1104 333	Key, 3/16 Square x 1	1	
62	121 898	Thrust Washer	2	
63	1100 350	Cotter Pin, 1/8 x 1	2	2
64	1720 797	Lever Bracket	1	1
65	1721 146	Pivot	1	1
66	1720 826	Transfer Lever	1	1
67	1100 346	Cotter Pin, 3/32 x 3/4	1	1
68	1720 856	Connecting Link	1	1
69	1185 257	Retaining Ring	1	1
70	1720 869	Clevis Pin	1	1
71	1720 810	Flange Bearing Assy.	2	2
72	1109 528	Hex Nut, 5/16-24	1	1
73	1720 925	Ball Joint	1	1
74	1185 812	Snap Ring	1	1
75	1720 844	Sliding Fork	1	1
76	1110 149	Lock Nut, 5/16-24	1	1
77	1185 806	Thrust Bearing	1	1
78	1185 797	Screw, 5/16-18 x 1/2	5	5
79	1720 859	Molded Friction Disc	1	1
80	1720 904	Friction Disc Hub	1	1
81	1720 862	Hex Shaft	1	1
82	1104 435	Woodruff Key	1	1
83	1100 351	Cotter Pin, 1/8 x 1-1/4	1	1
84	1185 831	Shim Washer	AR	AR
85	1720 872	Spacer Hub	1	1
86	1185 460	Lock Nut, #10-24	8	8
87	1110 152	Lock Nut, 1/2-20	2	2
88	1720 811	Flange Bearing	2	2
89	1185 808	Ball Bearing	2	2
90	1725 152	Bracket Assembly	1	1
91	<del>1725 262</del>	Extension Spring <i>1725 782</i>	1	
	<del>1725 261</del>	Extension Spring <i>1725 151</i>		1
92	1720 861	Sprocket, 9T	1	1
93	1107 385	Flat Washer, 1/2	1	1
94	1720 857	Neutral Catch	1	1
95	1110 106	Lock Nut, 1/4-20	1	1
96	1720 860	Spacer Bushing	1	1
97	1725 185	Clutch Control Arm	1	1
98	1185 750	Self Drilling Screw, #10-24 x 1/2	2	2
99	1100 242	Lockwasher, 5/16	1	1
100	1106 872	Hex Head Capscrew, 5/16-18 x 5/8	1	1
101	1720 870	Bracket Pin	1	1
102	1720 871	Fork Shaft	1	1
103	1703 011	Spring Cotter	1	1
104	1710 348	Clevis Pin	1	1
105	1187 385	Cotter Pin, 1/16 x 1/2	1	1
106	1715 927	Clevis	1	1
107	1725 148	Bottom Cover	1	
	1725 149	Bottom Cover		1
108	1185 489	Shakeproof Washer, #10	2	2

**MODELS 524-01, 726-01 & 832-01 SNOW THROWERS**



**Figure 3**



## MODELS 524-01, 726-01 & 832-01 SNOW THROWERS

Ref. No.	Part No.	Description	524-01	726-01	832-01
1	1720 785	Fan	1	1	1
2	1720 816	Bearing Flange	1	1	1
3	1723 643	Adjusting Lever	1	1	1
4	1723 746	Deflector Cap	1	1	1
5	1724 867	Duct Assembly	1	1	1
6	1724 995	Housing	1		
	1724 997	Housing		1	
	1724 999	Housing			1
7	1725 116	L. H. Auger	1		
	1725 112	L. H. Auger		1	
	1725 108	L. H. Auger			1
8	1725 117	R. H. Auger	1		
	1725 113	R. H. Auger		1	
	1725 109	R. H. Auger			1
9	1725 138	Gear Box Assembly	1		
	1725 137	Gear Box Assembly		1	
	1725 136	Gear Box Assembly			1
10	1100 044	Hex Head Capscrew, 5/16-18 x 3/4	1	1	1
11	1100 245	Lockwasher, 1/2	2	2	2
12	1100 257	Flat Washer, 1/2	2	2	2
13	1100 349	Cotter Pin, 1/8 x 3/4	1	1	1
14	1103 959	Flat Washer, #10	AR	AR	AR
15	1104 436	Woodruff Key, 3/16x3/4	1	1	1
16	1106 832	Hex Head Capscrew, 1/4-20 x 5/8	6	6	6
17	1106 913	Hex Head Capscrew, 3/8-16 x 5/8	2	2	2
18	1106 983	Hex Head Capscrew, 1/2-13 x 7/8	2	2	2
19	1107 382	Flat Washer, 5/16	6	6	6
20	1107 383	Flat Washer, 3/8	6	6	6
21	1110 106	Lock Nut, 1/4-20	9	9	9
22	1110 107	Lock Nut, 5/16-18	12	12	14
23	1110 108	Lock Nut, 3/8-16	6	6	6
24	1111 285	Carriage Bolt, 3/8-16x1	4	4	4
25	1185 130	Hex Head Sems Machine Screw, #10-24	6	6	6
26	1185 348	Roll Pin, 1/4 x 1-1/4	2	2	2
27	1185 798	Flange Whiz Lock Screw, 3/8-16 x 1/2	2	2	2
28	1185 803	Grease Fitting	4	4	4
29	1185 809	Ball Bearing	1	1	1
30	1185 816	Special Washer, 1-1/64 Diameter	2	2	2

Ref. No.	Part No.	Description	524-01	726-01	832-01
31	1185 846	Flange Bushing	2	2	2
32	1185 985	Keps Nut, #10-24	6	6	6
33	1186 048	Push Nut	2	2	2
34	1703 066	Roll Pin, 1/8 x 3/4	3	3	3
35	1712 059	Carriage Bolt, 5/16-18 x 1/2	5	5	7
36	1714 782	Swivel Block	1	1	1
37	1720 815	Flange Bearing	1	1	1
38	1720 867	Shear Bolt	4	4	4
39	1720 922	Bearing Support	2	2	2
40	1721 896	Plastic Grip	1	1	1
41	1722 501	Guard	1	1	1
42	1724 816	Decal (Caution)	1	1	1
43	1724 868	Shoe	2	2	2
44	1724 869	Clip	3	3	3
45	1724 870	Worm, 6 Thread, L. H.	1	1	1
46	1724 885	Drive Pin, 3/32 x 3/4	1	1	1
47	1721 716	Scraper Blade	1		
	1720 885	Scraper Blade		1	
	1725 184	Scraper Blade			1
48	1725 186	Chute Control Crank	1	1	1
49	1725 199	Eye Bolt	1	1	1
50	1725 253	V-Bolt, 34"	1	1	1
51	1725 257	Decal	2		
	1725 256	Decal		2	
	1725 255	Decal			2
52	1725 269	Chute Control Shaft	1		
	1725 270	Chute Control Shaft		1	1
53	1725 271	Gear Support	1	1	1
54	1725 282	Auger Sheave	1	1	1
MODEL 10771-01 SLICER BAR					
55	1110 107	Lock Nut, 5/16-18	2	2	2
56	1715 427	Drift Slicer	1	1	1
57	1106 874	Capscrew, 5/16-18x3/4	2	2	2
MODEL 10772-01 ROLLER SET					
58	1708 754	Spacer	2	2	2
59	1716 972	Roller	2	2	2
60	1100 243	Lockwasher, 3/8	2	2	2
61	1100 256	Flat Washer, 3/8	6	6	6
62	1103 840	Hex Nut, 3/8-16	2	2	2
63	1106 919	Capscrew, 3/8-16 x 1	2	2	2

# MODELS 524-01, 726-01 & 832-01 SNOW THROWERS

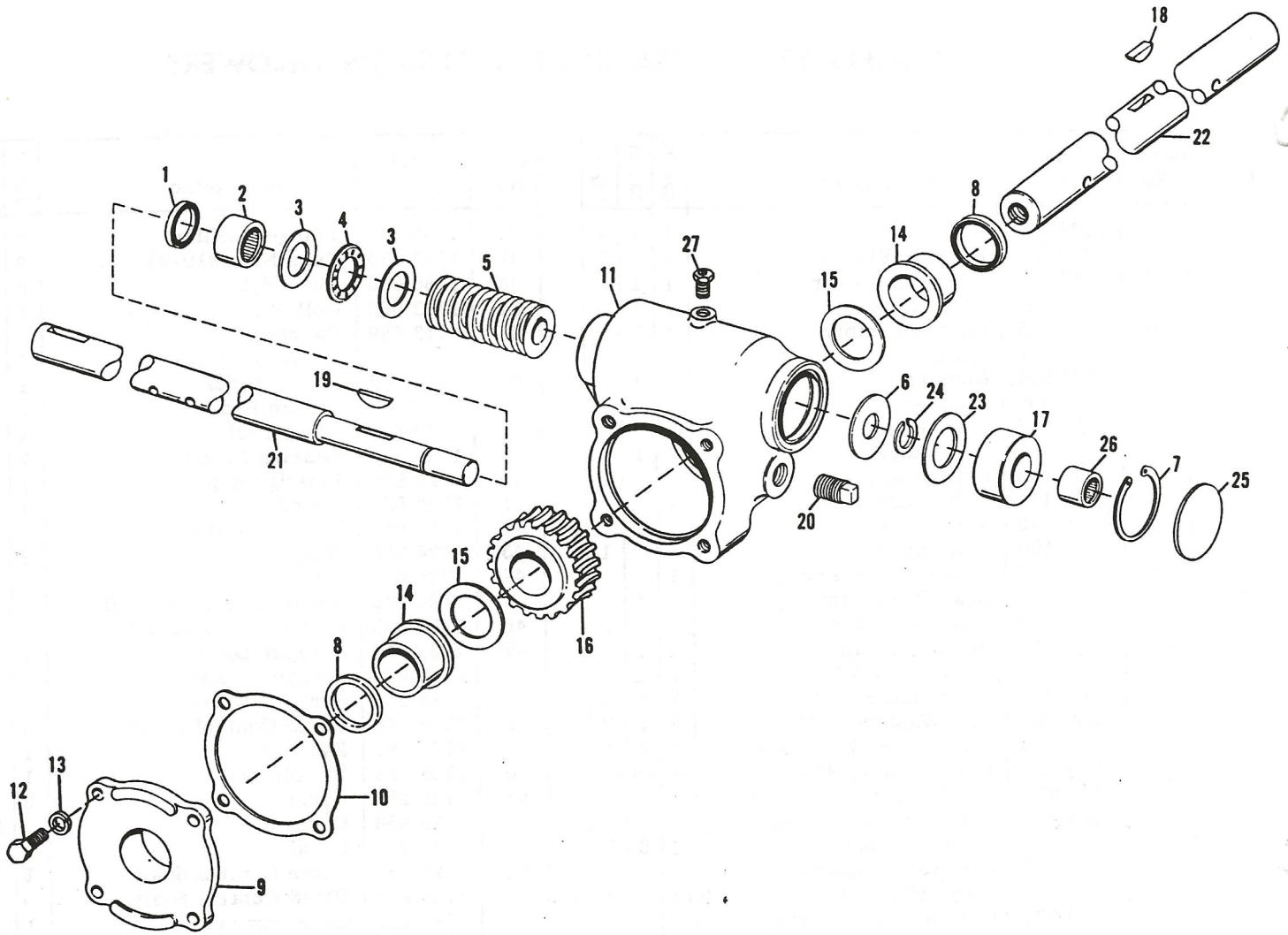


Figure 4, GEAR CASE ASSEMBLY

Ref. No.	Part No.	Description			
			1725 136	1725 137	1725 138
1	1185 224	Oil Seal	1	1	1
2	1185 374	Needle Bearing	1	1	1
3	1185 841	Thrust Race	2	2	2
4	1185 431	Thrust Bearing	1	1	1
5	1720 932	Worm	1	1	1
6	1185 842	Washer	1	1	1
7	1118 726	Retaining Ring, Internal	1	1	1
8	1185 266	Oil Seal	2	2	2
9	1720 910	Gear Case Cover	1	1	1
10	1720 941	Cover Gasket	1	1	1
11	1721 752	Gear Case Only	1	1	1
12	1106 832	Capscrew, 1/4-20 x 5/8	4	4	4
13	1100 241	Lockwasher, 1/4	4	4	4
14	1185 728	Flange Bearing	2	2	2
15	1185 815	Thrust Race	2	2	2

Ref. No.	Part No.	Description			
			1725 136	1725 137	1725 138
16	1720 933	Worm Gear, 20T	1	1	1
17	1720 763	Spacer	1	1	1
18	1100 276	Woodruff Key, 1/4 x 7/8	1	1	1
19	1100 283	Woodruff Key, 1/4 x 3/4	1	1	1
20	1105 620	Square Head Plug, 1/4-18 NPT	1	1	1
21	1725 134	Impeller Shaft	1	1	1
22	1725 135	Auger Shaft	1		
	1720 894	Auger Shaft		1	
	1721 715	Auger Shaft			1
23	1185 840	Thrust Race	1	1	1
24	1185 843	Retaining Ring, External	1	1	1
25	1112 634	Expansion Plug	1	1	1
26	1185 568	Needle Bearing	1	1	1
27	1721 442	Pressure Relief Valve	1	1	1