

BOLENS

ARTIC 75 - 01
ARTIC 75 - 02
ARTIC 75 - 03
TWO STAGE
26 INCH
SNOW CASTER

ILLUSTRATED PARTS CATALOG

BOLENS

PORT WASHINGTON, WISCONSIN, U.S.A.

PRINTED IN U.S.A.

FORM NO. P-552370 6/71
Supersedes Form No. P-552203
Supersedes Form No. P-552041

ARTIC 75-01, 75-02 AND 75-03 SNOW CASTER

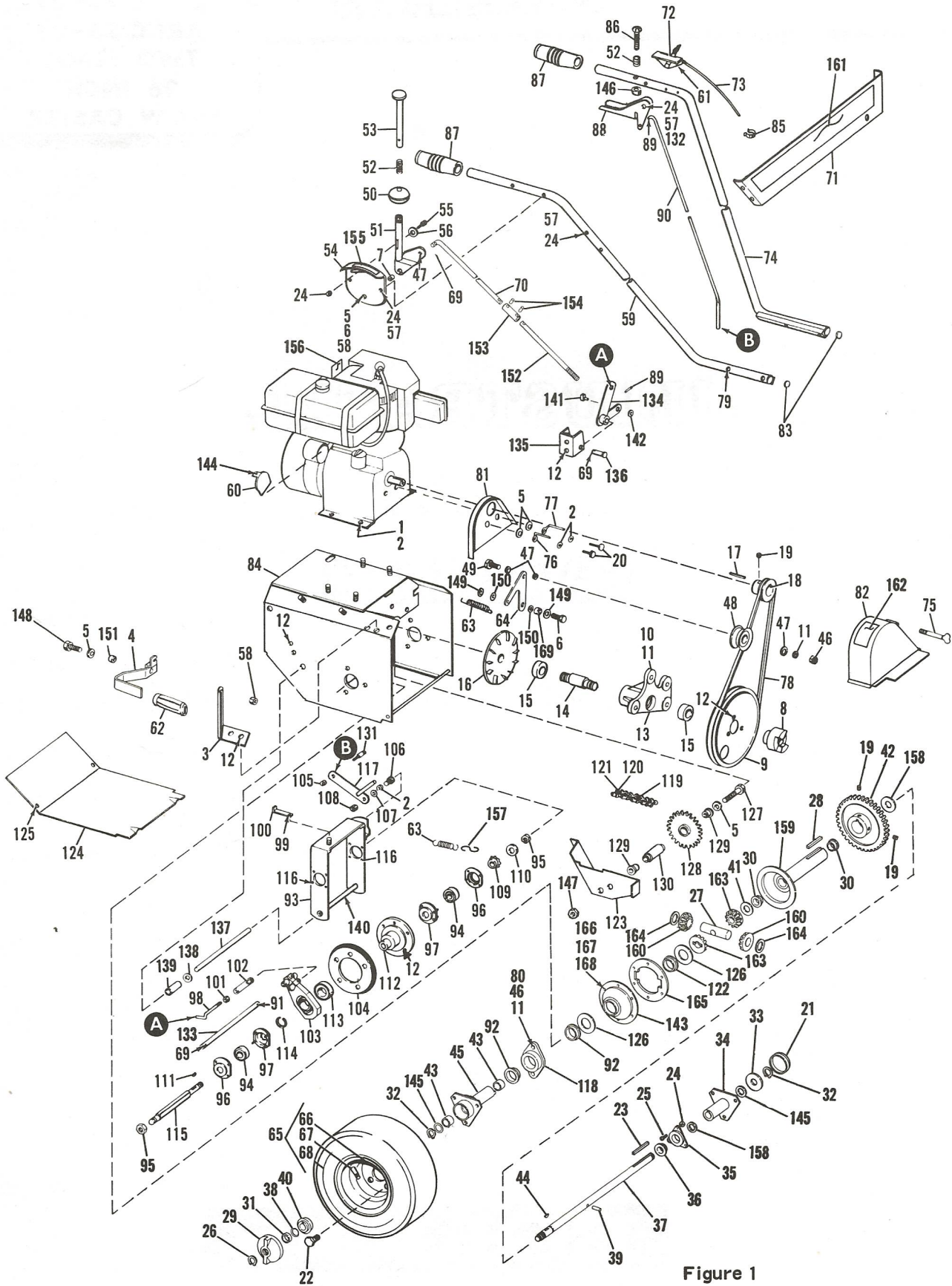


Figure 1

ARTIC 75-01, 75-02 AND 75-03 SNOW CASTER

Ref. No.	Part No.	Description	No. Req'd
1	1182 563	Hex Nut 5/16 x 18	4
2	1100 242	Lockwasher 5/16	6
3	1721 753	Clutch Bracket	1
4	1721 770	Clutch Lever	1
5	1100 255	Flat Washer 5/16	5
6	1106 874	Capscrew 5/16 - 18 x 3/4	2
7	1720 868	Spacer	1
8	1720 900	Jaw Coupling	1
9	1720 927	Sheave - Attach Drive	1
10	1106 913	Capscrew 3/8 - 16 x 5/8	4
11	1100 243	Lockwasher 3/8	7
12	1185 797	Lock Screw 5/16 - 18 x 1/2	9
13	1721 749	Bearing Housing	1
14	1721 747	Shaft - Attch Drive	1
15	1185 809	Ball Bearing	2
16	1720 918	Drive Plate	1
17	1104 333	Sq Key 3/16 x 1	1
18	1720 908	Engine Sheave	1
19	1182 554	Set Screw 5/16 - 18 x 5/16	4
20	1107 191	Capscrew 5/16 - 24 x 3/4	2
21	1721 147	Hub Cap	1
22	1716 223	Lug Bolt	6
23	1181 011	Sq Key 3/16 x 2-1/2	1
24	1110 106	Locknut 1/4 - 20	11
25	1106 832	Scr Hex Hd Cap 1/4-20 x 5/8	3
26	1177 567	Retaining Ring	1
27	1708 690	Differential Shaft	1
28	1108 844	Sq Key 1/4 x 1-1/4	1
29	1721 788	Adjusting Nut	1
30	1185 390	Flange Bearing	2
31	1713 389	Stop	1
32	1113 527	Retaining Ring	2
33	1185 829	Washer 2" O.D. (Special)	1
34	1720 855	Wheel Hub	1
35	1720 920	Axle Bearing Support	1
36	1185 801	Flange Bearing	1
37	1721 738	Axle Shaft	1
38	1702 258	Wave Washer	1
39	1715 946	Drive Pin 1/4 x 1/4	1
40	1721 745	Drive Cone	1
41	1707 546	Thrust Washer	As Req.
42	1721 765	Clutch Gear 48T	1
43	1185 319	Bronze Bearing	2
44	1108 852	Machine Key 3/16 x 3/4	1
45	1721 737	Wheel Hub	1
46	1121 509	Nut 3/8 - 16	3
47	1107 383	Flat Washer 3/8	5
48	1720 936	Idler Pulley	1
49	1106 930	Capscrew 3/8 - 16 x 1-3/4	1
50	1720 882	Shift Handle Knob	1
51	1720 847	Shift Handle	1
52	1720 884	Compression Spring	2
53	1720 849	Shift Release Handle	1
54	1720 881	Shift Quadrant	1
55	1106 845	Capscrew 1/4 - 20 x 1-1/4	1
56	1720 883	Flat Washer	1
57	1106 847	Capscrew 1/4 - 20 x 1-1/2	7
58	1110 107	Locknut 5/16 - 18	2

Ref. No.	Part No.	Description	No. Req'd
59	1721 166	Handle R. H.	1
60	1720 978	Cover	1
61	1185 381	Thd Cutting Screw 10 - 24 x 1/2	2
62	1720 937	Lever Grip	1
63	1720 942	Extension Spring	2
64	1721 784	Idler Arm	1
65	1717 526	Wheel & Tire Assy (Inc. Ref. #66-67-68)	2
66	1717 592	Wheel Only	2
67	1718 086	Valve Stem	2
68	1717 594	Tire-Tubeless 13x5.00 - 6	2
69	1100 350	Cotter Pin 1/8 x 1	3
70	1721 780	Shift Rod	1
71	1720 935	Panel - Hdle. Bar Cross	1
72	1720 931	Throttle Control (75-01 & 75-02 Only)(Inc Ref #73)	1
	1723 095	Throttle Control (75-03 Only) (Inc Ref #73)	1
73	1721 266	Wire Only - Throttle	1
74	1721 167	Handle L. H.	1
75	1185 817	Thumb Screw 5/16 - 24 x 3	1
76	1720 879	Belt Guide R. H.	1
77	1720 878	Belt Guide L. H.	1
78	1720 938	V-Belt 35-3/8	1
79	1110 108	Self-Lock Nut 3/8 - 16	4
80	1185 865	Carriage Bolt 3/8 - 16 x 3/4 (Spec)	2
81	1720 866	Belt Guard-Inner	1
82	1720 833	Belt Guard-Outer	1
83	1709 920	Button Plug	2
84	1721 728	Frame	1
85	149 925	Cable Clip	1
86	1102 774	Carriage Bolt 1/4 - 20 x 3-1/4	1
87	1703 539	Handle Grip	2
88	1715 131	Clutch Handle	1
89	1100 346	Cotter Pin 3/32 x 3/4	2
90	1720 892	Clutch Rod	1
91	1703 011	Spring Cotter	1
92	1721 733	Flange Bearing	2
93	1720 822	Bracket	1
94	1185 808	Ball Bearing	2
95	1110 152	Lock Nut 1/2 - 20	2
96	1720 811	Flange Brg. - Outer	2
97	1720 810	Flange Brg. - Inner	2
98	1720 856	Shift Lever Link	1
99	1110 106	Locknut 1/4 - 20	1
100	1720 857	Neutral Catch	1
101	1109 528	Hex Nut 5/16 - 24	1
102	1720 925	Ball Joint	1
103	1720 844	Sliding Fork	1
104	1720 859	Molded Friction Disc	1
105	1110 149	Lock Nut 5/16 - 24	1
106	1106 872	Capscrew 5/16 - 18 x 5/8	1
107	1107 382	Flat Washer 5/16	1
108	1720 860	Bushing Spacer	1
109	1720 861	Sprocket 9 Tooth	1

continued on next page

ARTIC 75-01, 75-02 AND 75-03 SNOW CASTER

cont'd from page 3

Ref. No.	Part No.	Description	No. Req'd
110	1107 385	Flat Washer 1/2	1
111	1104 435	Woodruff Key	1
112	1720 904	Friction Disc Hub	1
113	1185 806	Thrust Bearing	1
114	1185 812	Snap Ring	1
115	1720 862	Hex Shaft	1
116	1185 460	Lock Nut #10 - 24	8
117	1720 809	Throwout Lever	1
118	1721 771	Flange Bearing	1
119	1720 939	Drive Chain #41	1
120	1185 013	Chain Conn. Link #41	1
121	182 087	Chain Half Link #41	As Req.
122	1185 391	Flange Bearing	1
123	1721 735	Bracket Support	1
124	1721 732	Bottom Cover	1
125	1185 750	Self-Tap Screw #10 24 x 1/2	2
126	1706 471	Retaining Washer	As Req.
127	1106 896	Capscrew 5/16 - 18 x 2-3/4	1
128	1720 839	Pinion & Sprocket	1
129	1185 802	Flange Bearing	2
130	1720 877	Pinion Stub Shaft	1
131	1720 943	Ball Joint	1
132	1107 381	Flat Washer 1/4	1
133	1720 871	Fork Shaft	1
134	1720 826	Transfer Lever	1
135	1720 797	Lever Bracket	1
136	1720 869	Clevis Pin 2-7/8 x 1/2	1
137	1720 870	Bracket Pin	1
138	1185 831	Shim Washer	As Req.

Ref. No.	Part No.	Description	No. Req'd
139	1720 872	Spacer Hub (Idler Arm)	1
140	1100 351	Cotter Pin 1/8 x 1-1/4	1
141	1721 146	Shift Rod Pivot	1
142	1185 257	Retaining Ring	1
143	1708 682	Differential Housing	1
144	1187 429	Tap Screw 10 - 12 x 1/2	1
145	1700 821	Thrust Washer	As Req.
146	1185 814	Flange Nut 1/4 - 20	1
147	1185 813	Flange Nut 5/16 - 18	1
148	1106 878	Capscrew 5/16 - 18 x1	1
149	1713 233	Flat Washer (Special)	3
150	121 900	Bowed Washer	2
151	1721 779	Spacer	1
152	1721 781	Shift Rod Extension	1
153	1721 782	Coupling	1
154	1177 625	Roll Pin 1/8 x 3/4	2
155	1720 945	Decal (Shift)	1
156	1720 948	Decal (Operating Instr.)	1
157	1721 725	Spring Link	1
158	1185 830	Special Washer	As Req.
159	1721 736	Drive Sleeve	1
160	1708 688	Differential Pinion	2
161	1720 949	Decal (Bolens)	1
162	1720 955	Decal (Caution)	1
163	1708 689	Differential Gear	2
164	1706 873	Thrust Washer	2
165	1721 739	Locater Plate	1
166	1114 755	Screw #10 - 32 x 5/8	6
167	1100 240	Lock Washer #10	6
168	1109 845	Hex Nut #10 x 32	6
169	1721 794	Spacer	1

ARTIC 75-01, 75-02 AND 75-03 SNOW CASTER

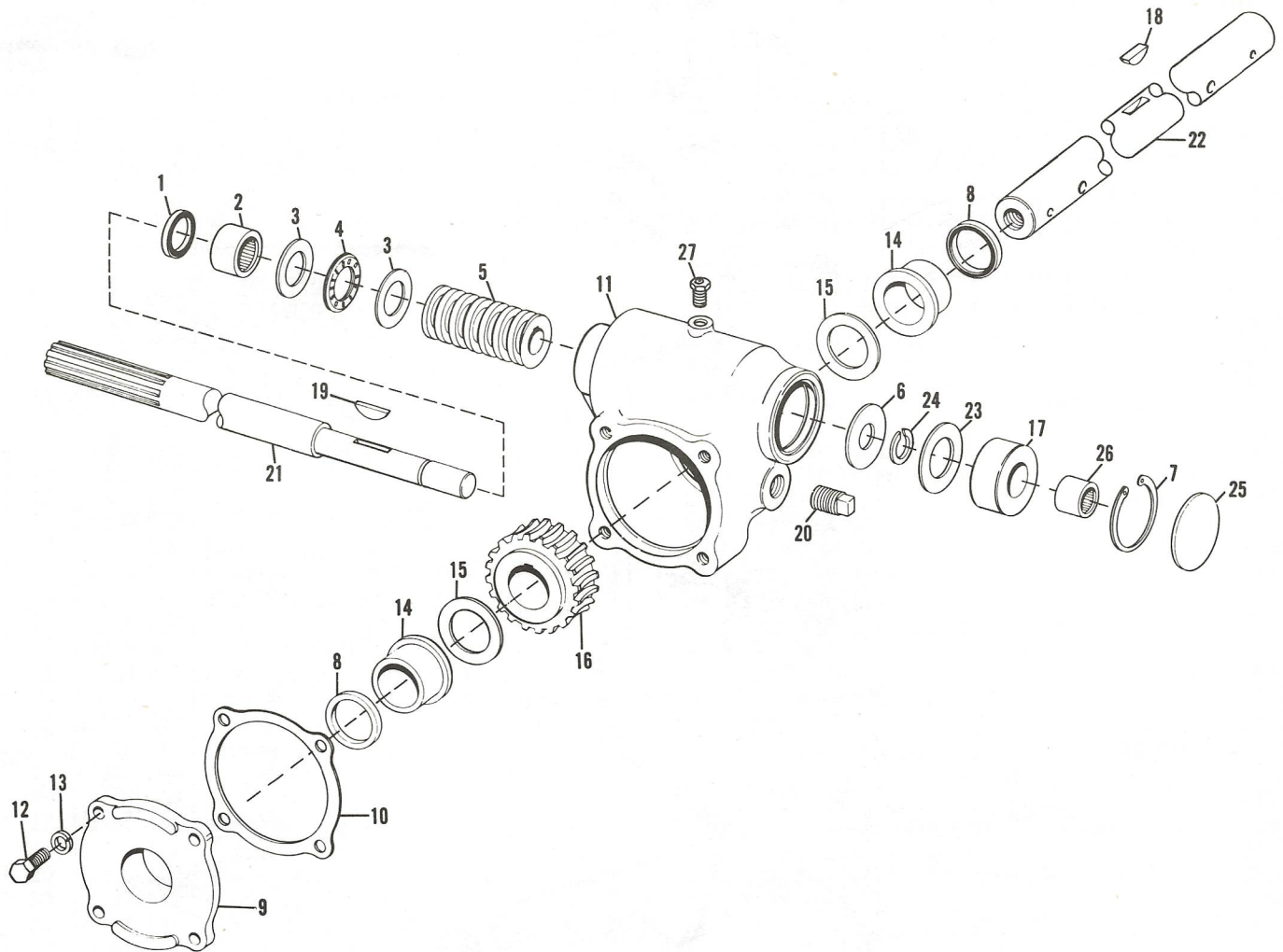


Figure 2, GEAR CASE ASSEMBLY

Ref. No.	Part No.	Description	No. Req'd
1	1185 224	Oil Seal	1
2	1185 374	Needle Bearing	1
3	1185 841	Thrust Race	2
4	1185 431	Thrust Bearing	1
5	1720 932	Worm	1
6	1185 842	Washer	1
7	1118 726	Retaining Ring Int.	1
8	1185 266	Oil Seal	2
9	1720 910	Gearcase Cover	1
10	1720 941	Cover Gasket	1
11	1721 752	Gear Case Only	1
12	1106 832	Capscrew 1/4 - 20 x 5/8	4
13	1100 241	Lockwasher 1/4	4
14	1185 728	Flange Bearing	2

Ref. No.	Part No.	Description	No. Req'd
15	1185 815	Thrust Race	2
16	1720 933	Worm Gear 20T	1
17	1720 763	Spacer	1
18	1100 276	Woodruff Key 1/4 x 7/8	1
19	1100 283	Woodruff Key 1/4 x 3/4	1
20	1105 620	Sq Hd Plug 1/4 - 18 NPT	1
21	1720 895	Impeller Shaft	1
22	1720 894	Auger Shaft	1
23	1185 840	Thrust Race	1
24	1185 843	Retaining Ring Ext.	1
25	1112 634	Expansion Plug	1
26	1185 568	Needle Bearing	1
27	1721 442	Pressure Relief Valve	1

ARTIC 75-01, 75-02 AND 75-03 SNOW CASTER

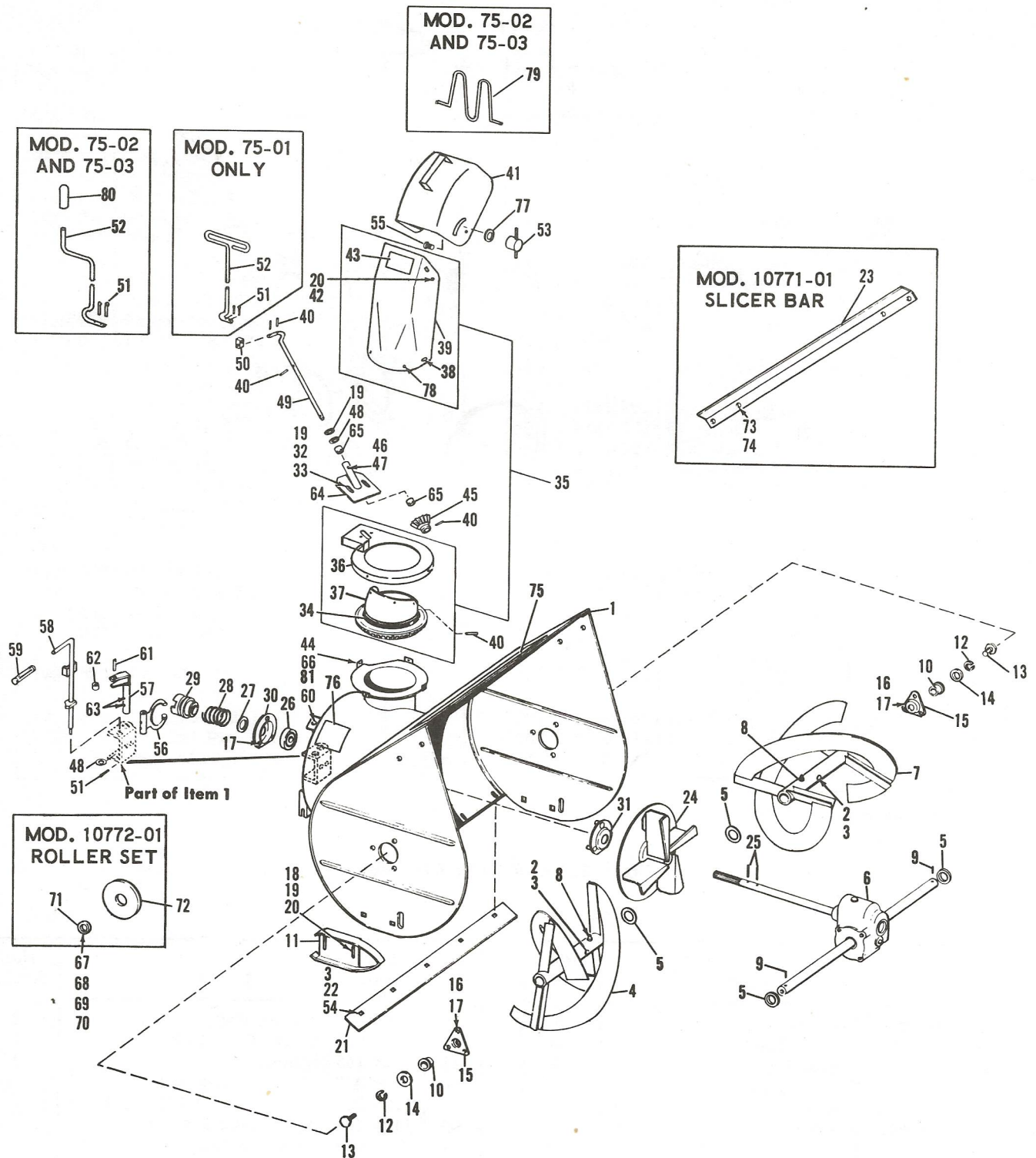


Figure 3

ARTIC 75-01, 75-02 AND 75-03 SNOW CASTER

Ref. No.	Part No.	Description	No. Req'd
1	1721 766	Rotor Housing	1
2	1720 867	Shear Bolt	4
3	1110 107	Lock Nut 5/16 - 18	7
4	1720 790	R. H. Auger	1
5	1185 816	Washer 1-1/64	4
6	1721 751	Gear Case Assy (See Fig. 2)	1
7	1720 791	L. H. Auger	1
8	1185 803	Grease Fitting	4
9	1185 220	Roll Pin 3/16 x 1-1/2	2
10	1185 846	Flange Bushing	2
11	1715 011	Shoe	2
12	1100 245	Lockwasher 1/2	2
13	1106 983	Capscrew 1/2 - 13 x 7/8	2
14	1100 257	Flat Washer 1/2	2
15	1720 922	Bearing Support	2
16	1106 832	Capscrew 1/4 - 20 x 5/8	6
17	1110 106	Locknut 1/4 - 20	9
18	1111 285	Carriage Bolt 3/8 - 16 x 1	4
19	1107 383	Flat Washer 3/8	7
20	1110 108	Locknut 3/8 - 16	6
21	1720 885	Scraper Blade	1
22	1712 059	Carriage Bolt 5/16 - 18 x 1/2	5
23	1715 427	Drift Slicer	1
24	1720 785	Blower Fan	1
25	1185 348	Roll Pin 1/4 x 1-1/4	2
26	1185 809	Ball Bearing	1
27	1185 830	Washer (Special)	1
28	1720 926	Compression Spring	1
29	1721 670	Sliding Jaw	1
30	1720 815	Flange Bearing	1
31	1720 816	Flange Bearing	1
32	1106 915	Capscrew 3/8 - 16 x 3/4	2
33	1100 243	Lockwasher 3/8	2
34	1719 394	Ring Seal	1
35	1721 742	Duct Assy (Inc. Ref. #36-78-37-38-39)	1
36	1721 740	Gear Cover	1
37	1721 692	Swivel Duct	1
38	1185 879	Pop Rivet 3/16 x 1/2	4
39	1721 754	Outlet Duct	1
40	1703 066	Roll Pin 1/8 x 3/4	6
41	1721 757	Deflector Cap	1
42	1106 913	Rd. Hd. Screw 3/8 - 16 x 5/8	2
43	1721 199	Decal (Caution)	1
44	1106 828	Capscrew 1/4 - 20 x 3/8 (75-01 & 02 Only)	4

Ref. No.	Part No.	Description	No. Req'd
45	1714 367	Pinion - Duct Control	1
46	1102 566	Screw 1/4 - 20 x 1/2	1
47	1103 838	Hex Nut 1/4 - 20	1
48	1705 119	Bowed Washer	2
49	1721 153	Pinion Shaft (75-01 & 75-02 Only)	1
	1723 218	Pinion Shaft (75-03 Only)	1
50	1714 782	Swivel Block	1
51	1100 350	Cotter Pin 1/8 x 1	3
52	1719 973	Crank - Duct Control (Mod 75-01 Only)	1
	1722 573	Crank - Duct Control (Mod 75-02 & 75-03)	1
53	1721 759	Wing Nut	1
54	1107 382	Flat Washer 5/16	5
55	1185 865	Carriage Bolt 3/8 - 16x3/4	1
56	1720 924	Clutch Fork	1
57	1720 836	Shaft Fork	1
58	1721 702	Cam Fork	1
59	1714 084	Handle Grip	1
60	1185 798	Lockscrew 3/8 - 16x1/2	2
61	1185 400	Roll Pin 5/16 x 1-1/4	1
62	1720 880	Roller Spacer	1
63	1120 210	Roll Pin 3/16 x 1	2
64	1721 368	Chute Control Support Assy. (Inc. Ref. #65)	1
65	1185 395	Sleeve Bearing	2
66	1100 241	Lockwasher 1/4 (75-01 & 02 Only)	4
67	1100 243	Lockwasher 3/8	2
68	1100 256	Flat Washer 3/8	6
69	1103 840	Hex Nut 3/8 - 16	2
70	1106 919	Capscrew 3/8 - 16 x 1	2
71	1708 754	Spacer	2
72	1716 972	Roller	2
73	1106 874	Capscrew 5/16 - 18x3/4	2
74	1110 107	Locknut 5/16 - 18	2
75	1721 785	Decal (Artic 75)	1
76	1720 954	Decal (Instruction)	1
77	1185 667	Lockwasher 3/8 (Int. Tooth)	1
78	1185 878	Pop Rivet 3/16 x 3/8	1
79	1722 501	Chute Guard (Mod 75-02 & 75-03)	1
80	1722 574	Plastic Grip (Mod 75-02 & 75-03)	1
81	1185 933	Self Threading Screw #14 x 1/2 (75-03 Only)	4