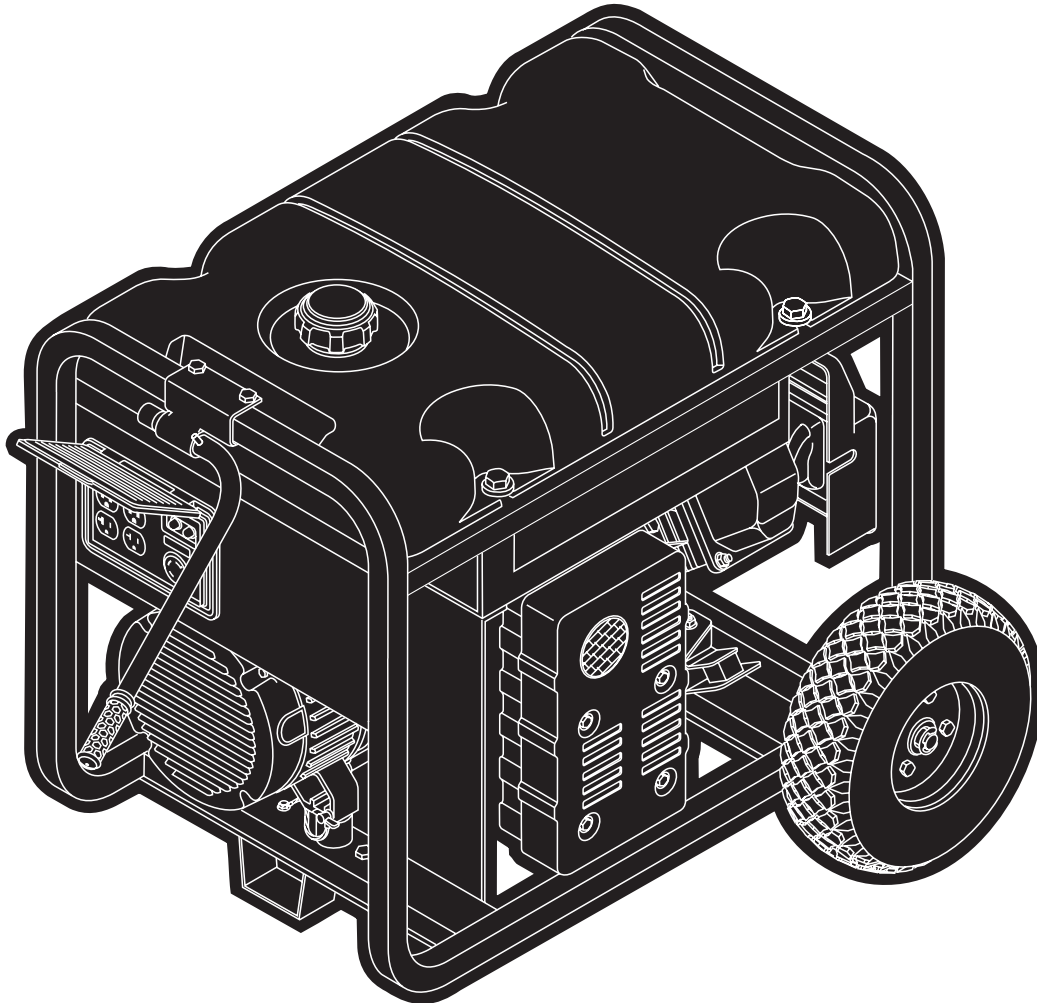




Owner's Manual / Manual del Propietario

Portable Generator / Generador Portátil
Model / Modelo 01924



IMPORTANT: READ SAFETY RULES AND INSTRUCTIONS CAREFULLY
IMPORTANTE: LEYO LA SEGURIDAD LAS ORDENES Y LAS INSTRUCCIONES DETENIDAMENTE

Questions? Preguntas?
Helpline - 1-888-611-6708 M-F 8-5 CT

Troy-Bilt® is a registered trademark of MTD and is used under license to Briggs & Stratton Power Products.
Troy-Bilt® es una marca registrada registrada de MTD y se usa abajo licencia a Briggs & Stratton Power Products.

BRIGGS & STRATTON POWER PRODUCTS GROUP, LLC
JEFFERSON, WISCONSIN, U.S.A.

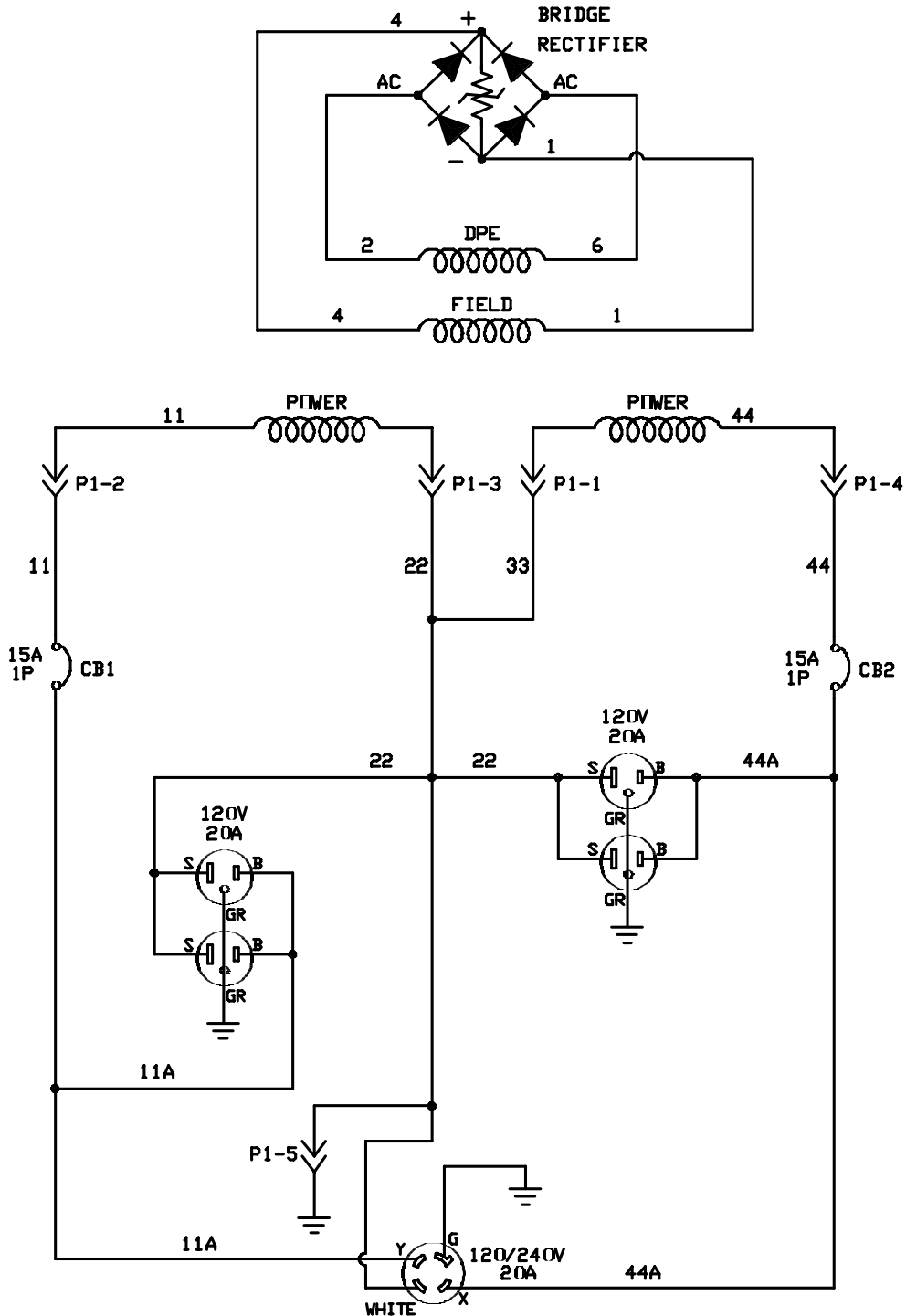


Printed in USA

Manual No. 192790GS Revision I (05/28/2003)

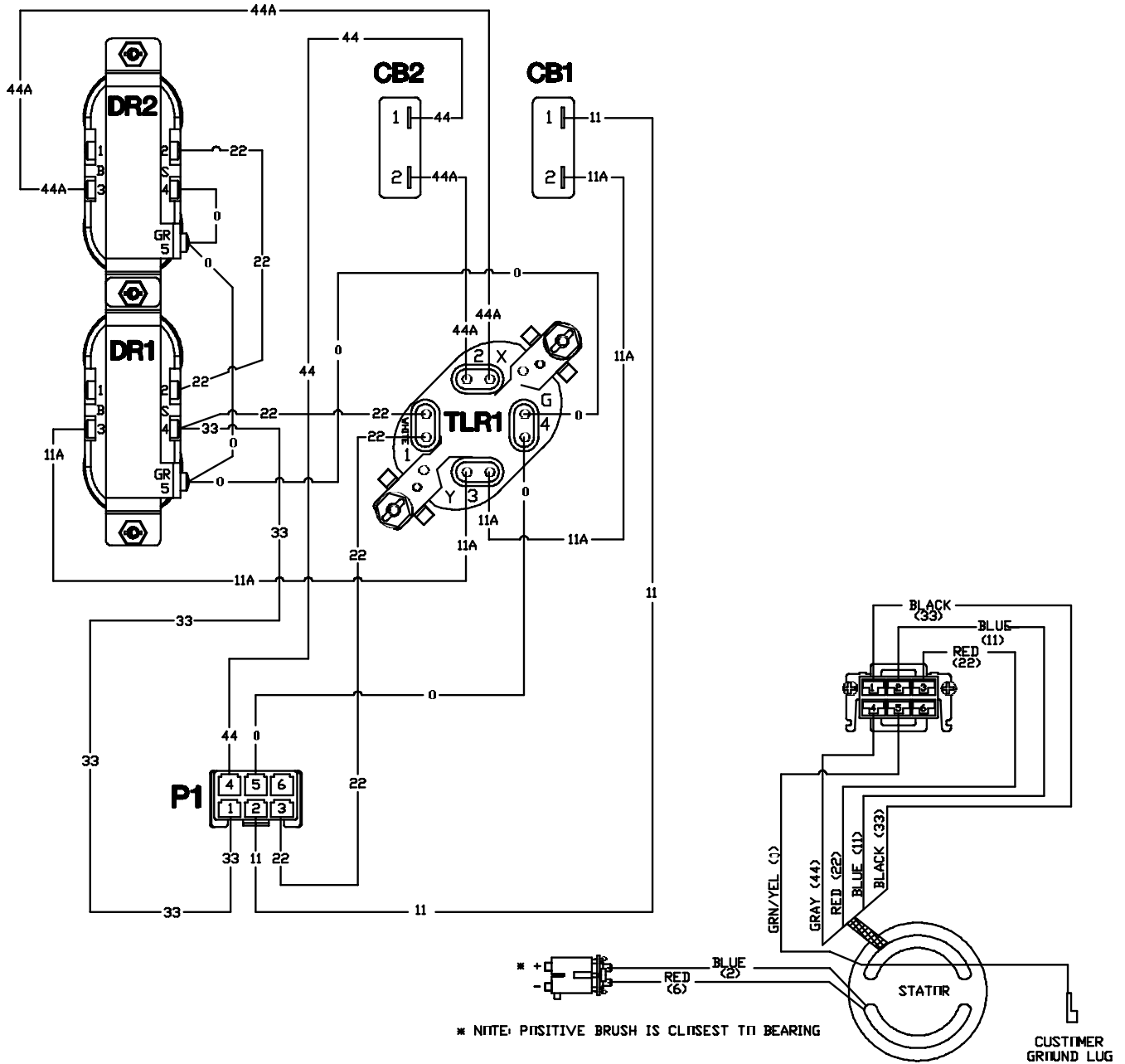
Schematic and Wiring Diagram

SCHEMATIC

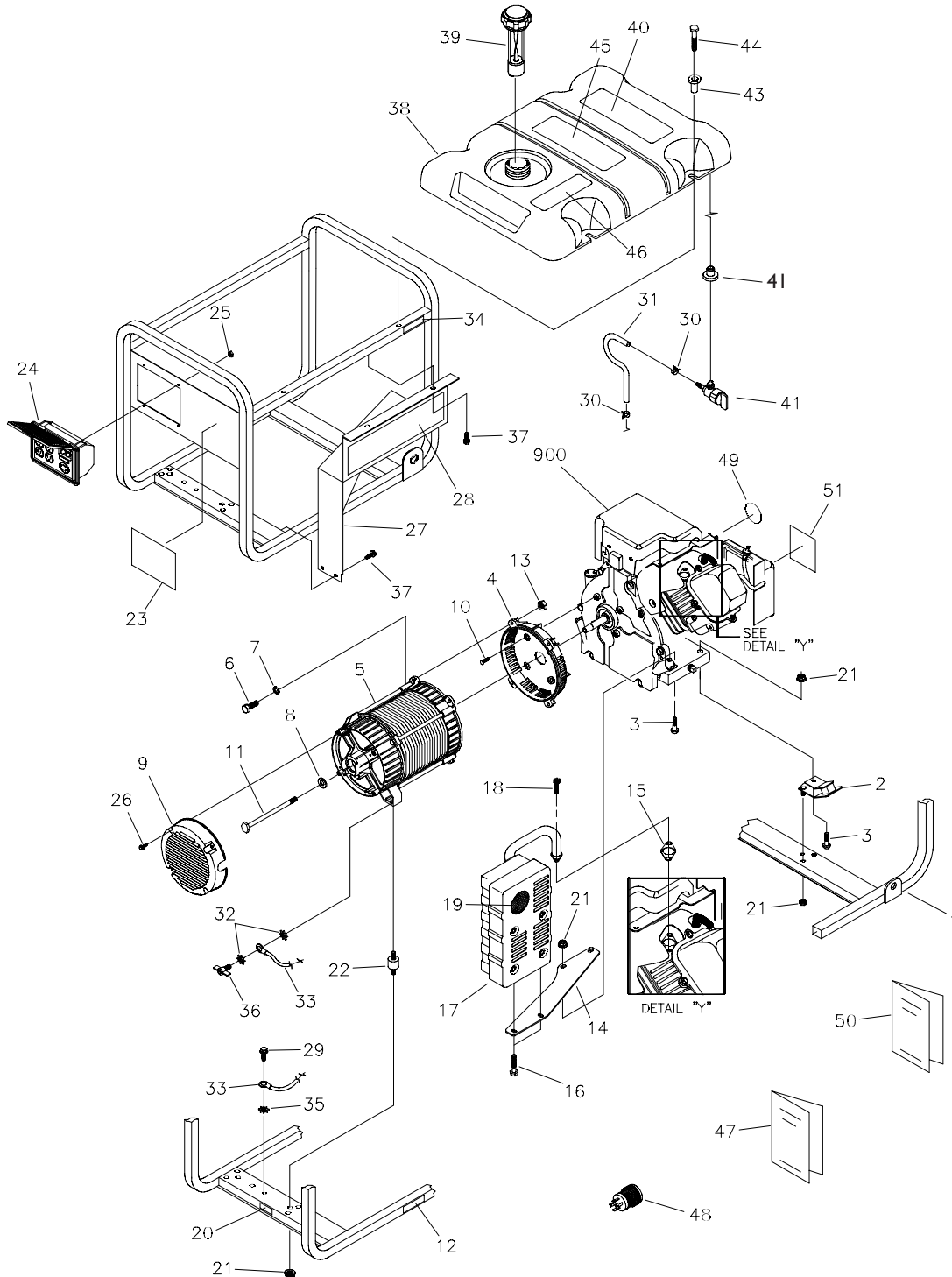


Section 8: Schematic and Wiring Diagram

WIRING DIAGRAM



EXPLODED VIEW - MAIN UNIT



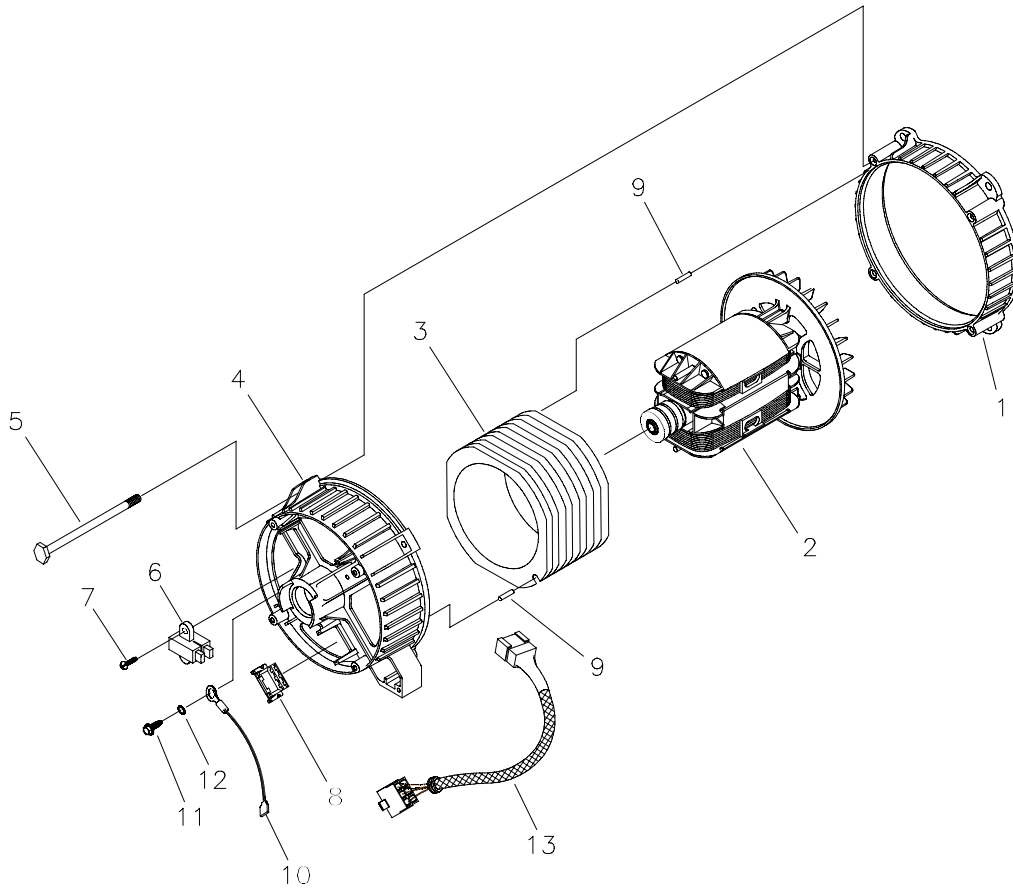
Section 9: Exploded Views and Parts Lists

PARTS LIST - MAIN UNIT

Item	Part #	Qty.	Description	Item	Part #	Qty.	Description
1	B192765GS	1	CRADLE	27	J191790GS	1	SHIELD, Heat
2	70642GS	2	MOUNT,Vibration	28	192374GS	1	DECAL, Heat Shield
3	76222GS	3	SCREW	29	86292GS	1	SCREW, Self Driller
4	186058AGS	1	HOUSING, Engine Adapter	30	48031CGS	2	CLAMP, Hose, Band
5	NSP	1	ASSY,Alternator (see page 18)	31	191795GS	1	HOSE, Fuel, Formed
6	43107GS	4	SCREW	32	26850GS	2	WASHER
7	22129GS	4	WASHER, Lock	33	14353621GS	1	WIRE, Ground
8	96796GS	1	WASHER	34	191435GS	1	DECAL, Fuel Shut Off
9	186347GS	1	COVER, Bearing Carrier	35	23762GS	1	WASHER
10	86307GS	4	SCREW	36	86494GS	1	SCREW,Wing
11	24823GS	1	SCREW	37	B2153GS	4	SCREW
12	191436GS	1	DECAL, Caution Hot Muffler	38	192751GS	1	ASSY,Tank, Fuel (Includes Item 41)
13	45771GS	4	NUT	39	B4363GS	1	GAUGE, Fuel
14	191785GS	1	BRACKET, Muffler	40	92982GS	1	DECAL, Danger
15	692237	1	GASKET, Exhaust	41	192980GS	1	KIT,VLV, FUEL, SRV
16	66476GS	2	SCREW	43	188973GS	4	GROMMET, Tank
17	188301GS	1	MUFFLER	44	78831CGS	4	SCREW
18	47487	2	SCREW	45	189235GS	1	DECAL, Operating Instructions
19	83083GS	1	SCREEN, Spark Arrest	46	188333GS	1	DECAL, Fuel Level
20	B4986GS	1	DECAL, Ground	47	192790GS	1	MANUAL, Owners
21	67989GS	9	NUT	48	43483GS	1	PLUG, 250V, 20 Amp
22	85652GS	2	MOUNT,Vibration	49	192523GS	1	DECAL, Recoil
23	192373GS	1	DECAL, Control Panel	50	MS5242	1	MANUAL, Engine
24	191743GS	1	ASSY, Control Panel (see page 19)	51	192375GS	1	DECAL, Air Cleaner
25	189164GS	4	NUT	900	NSP	1	ENGINE
26	74908GS	4	SCREW				

Section 9: Exploded Views and Parts Lists

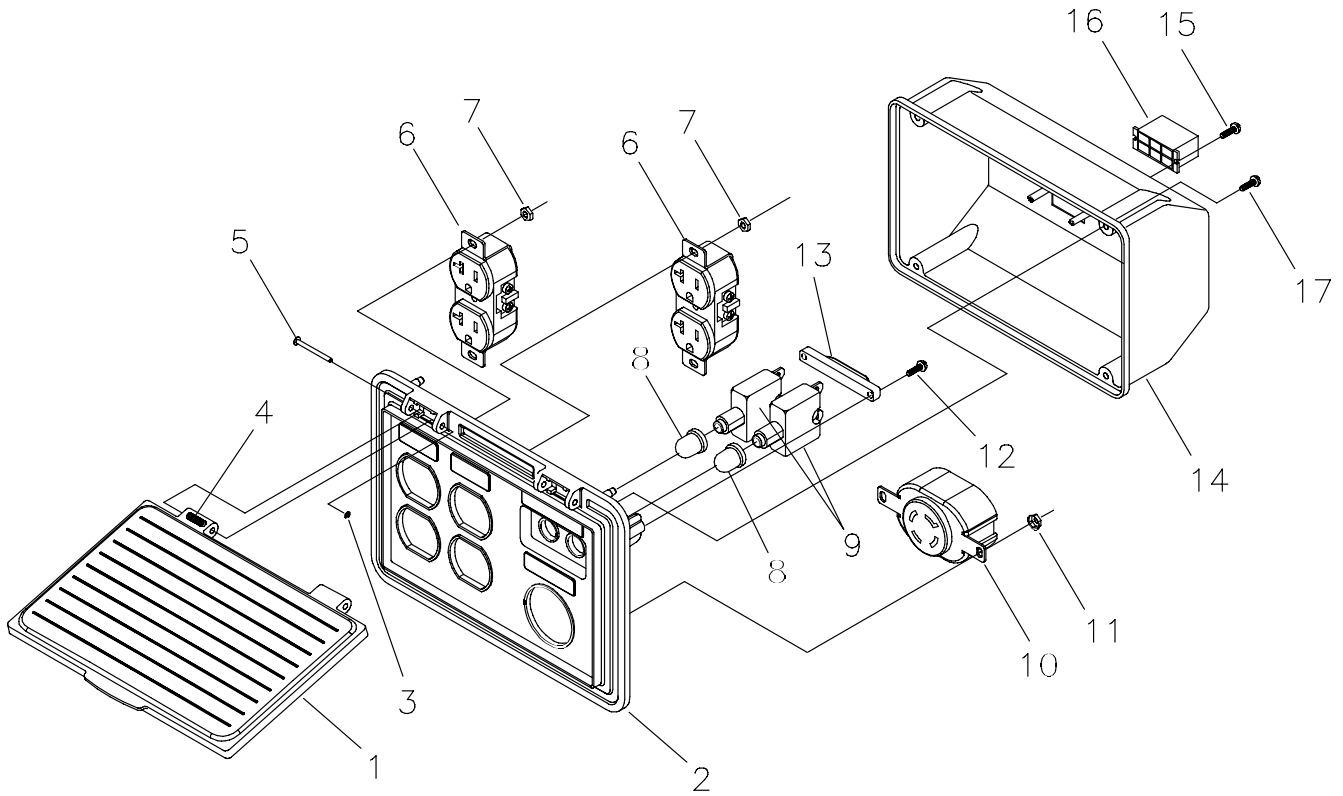
ALTERNATOR EXPLODED VIEW AND PARTS LIST



Item	Part #	Qty.	Description
1	186059GS	1	ADAPTER, Mounting, Alternator
2	191685GS	1	ROTOR
3	191686AGS	1	STATOR
4	186060GS	1	RBC, with O-Ring (p/n 189197GS)
5	86308GS	4	SCREW
6	91825GS	1	ASSY, Holder, Rectifier/Brush
7	66849GS	2	SCREW
8	22694GS	1	RECEPTACLE, 6 pin
9	81917GS	2	PIN, Roll
10	191051AGS	1	ASSY, Wire, Ground
11	74908GS	1	SCREW
12	23762GS	1	WASHER
13	190356GS	1	HARNESS, Wire, Power

Section 9: Exploded Views and Parts Lists

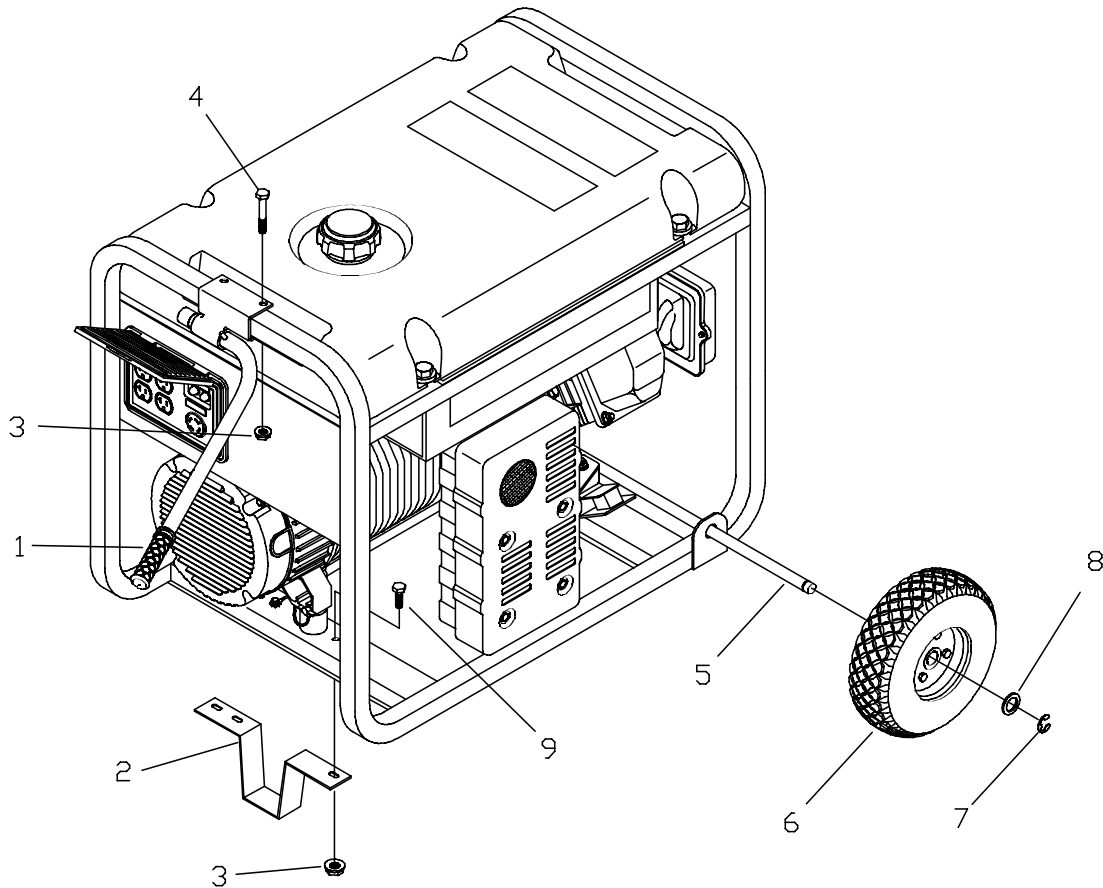
CONTROL PANEL EXPLODED VIEW AND PARTS LIST



Item	Part #	Qty.	Description
1	188914GS	1	COVER, Lid, Control Panel
2	188889AGS	1	CONTROL PANEL, Compact
3	189167GS	2	CLIP, Hinge Pin Retainer
4	189182GS	2	SPRING, Hinge, Pin
5	189166GS	2	PIN, Hinge, Cover, Compact
6	68759GS	2	OUTLET, 120V, 20A, Duplex
7	189165GS	4	NUT, Palnut, Pushnut
8	84198GS	2	CAP, Circuit Breaker
9	75207DGS	2	BREAKER, Circuit
10	68867GS	1	OUTLET, 120/240V Locking, 20A
11	189164GS	2	NUT, Palnut, Pushnut
12	84543CGS	2	SCREW
13	93857GS	1	BAR, Retaining
14	188890GS	1	COVER, Back, Control Panel
15	82308GS	2	SCREW
16	22694GS	1	HOUSING, Receptacle
17	192241GS	4	SCREW

Section 9: Exploded Views and Parts Lists

WHEEL KIT EXPLODED VIEW AND PARTS LIST



Item	Part #	Qty.	Description
1	189715GS	1	ASSY, Handle
2	B1764GS	1	LEG, Mounting
3	52858GS	4	NUT, Lock
4	39287GS	2	SCREW
5	191267NGS	1	AXLE
6	B4966GS	2	WHEEL
7	191265GS	2	E-RING
8	22247GS	2	WASHER
9	42907GS	2	SCREW