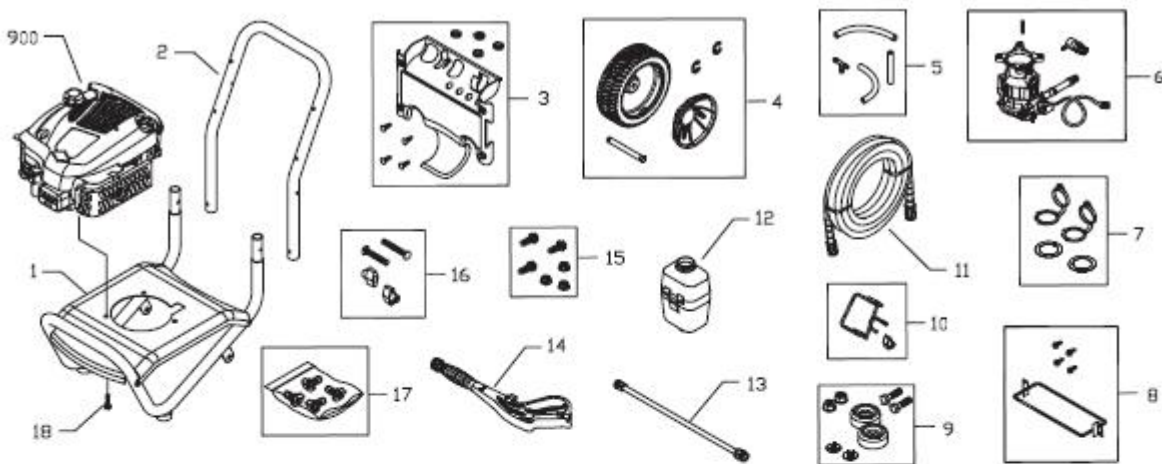


EXPLODED VIEW AND PARTS LIST — MAIN UNIT



Item	Part #	Description
1	201366GS	ASSY, Base
2	P199110GS	HANDLE
3	202007GS	KIT, Billboard Assy
	195964GS	Clips, Tree
	30809GS	Grommet
4	201394GS	KIT, Wheel
	192050GS	E-Ring
	200519GS	Hubcap
	201313GS	Axle
5	196813GS	KIT, Hose/Tee
6	198164GS	ASSY, Pump
	194298GS	Valve, Thermal Relief
	23139DGS	Key
7	202008GS	KIT, Cap Chem Tank
8	195856GS	KIT, Wireform
9	192310GS	KIT, Vibration Mount
10	201661GS	KIT, Gun Holder, Weldment
11	196138GS	HOSE
12	195190GS	ASSY, Tank Chemical
	192980GS	Kit, Valve
13	200595GS	EXTENSION
14	199117GS	GUN
15	192131GS	KIT, Pump Mounting Hardware
16	B2203GS	KIT, Handle Connector

Item	Part #	Description
17	199098GS	KIT, Nozzles
	198841GS	Nozzle, Soap
	195983AAGS	Nozzle, QC, Red
	195983XGS	Nozzle, QC, Yellow
	195983RGS	Nozzle, QC, White
18	75246GS	HHS, Trilobular, 3/8-16 x 1-1/4
900	§	ENGINE

Parts Not Illustrated

203795GS	MANUAL, Operator's
194256GS	KIT, Tag/Warning Srv
BB3061BGS	OIL BOTTLE
275034	LABEL, Warning
202251GS	GRIP
201830GS	DECAL, Recoil
793824	COVER, Static Label/Assy
87815GS	GOGGLES

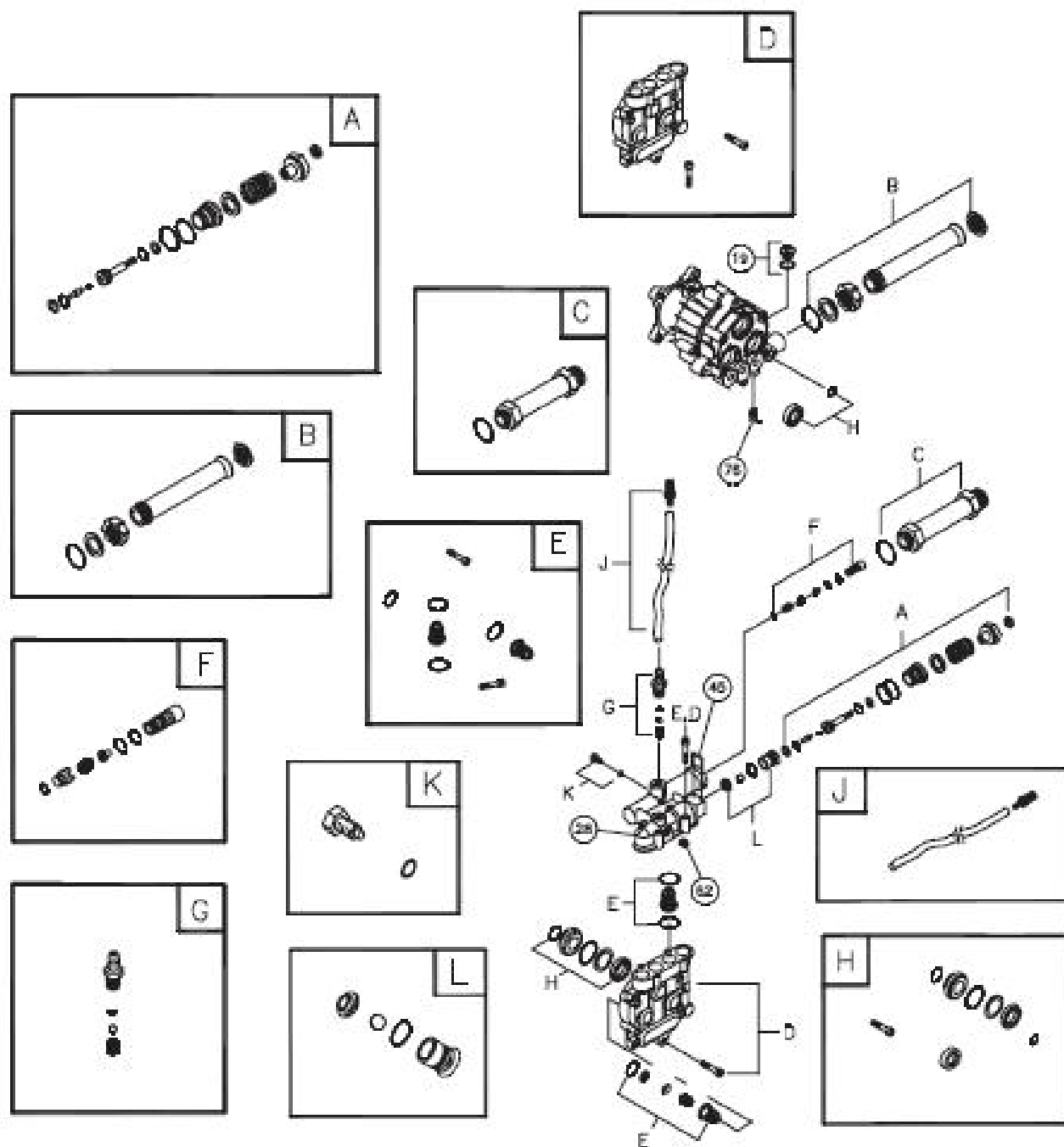
Optional Accessories

6048	KIT, O-Ring
6039	PUMP SAVER

§ - Contact Engine Manufacturer

Copyright © 2007 Briggs & Stratton Power Products Group, LLC. All rights reserved. No part of this material may be reproduced or transmitted in any form by any means without the express written permission of Briggs & Stratton Power Products Group, LLC.

EXPLODED VIEW AND PARTS LIST — PUMP



Item	Part #	Description
19	190571GS	CAP, Oil
28	190574GS	MANIFOLD
45	190578GS	PIN
62	190581GS	CAP, 1/8
76	194298GS	THERMAL RELIEF
A	190594GS	KIT, UNLOADER
B	190588GS	KIT, WATER INLET, ANODIZED
C	190589GS	KIT, OUTLET, ANODIZED
D	193808GS	KIT, HEAD BRASS
E	193806GS	KIT, CHECK VALVES
F	190592GS	KIT, INLET CHECK
G	190593GS	KIT, CHEMICAL INJECTION

Item	Part #	Description
H	193807GS	KIT, SEAL SET
J	189971GS	KIT, CHEMICAL HOSE
K	193971GS	KIT, PIPE FITTING
L	193972GS	KIT, UNLOADER SEAT

Parts Not Illustrated

190585GS	OIL BOTTLE
B2384GS	FILTER, Inlet
186452GS	FILTER, Inlet, Bag of 10

NOTE: Item letters A - L are service kits and include all parts shown within the box.