

Replacing Shear Pins

The augers are secured to the spiral shaft with two shear pins and cotter pins. If the auger should strike a foreign object or ice jam, the snow thrower is designed so that the pins may shear. If the augers will not turn, check to see if the pins have sheared. See Fig. 5-1.

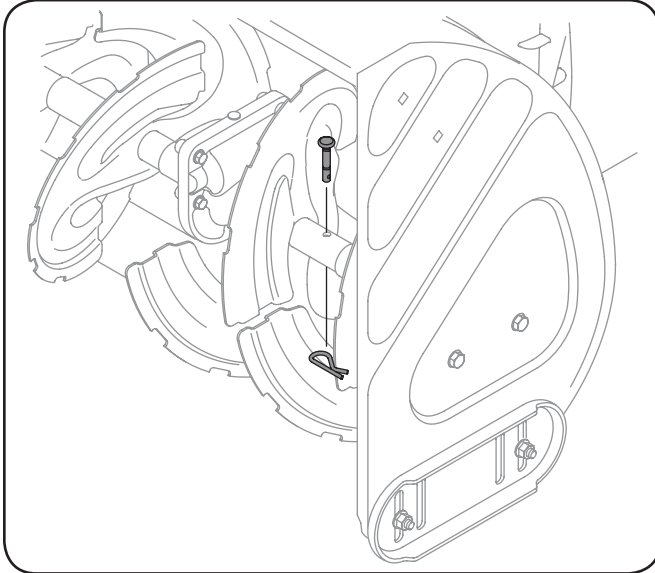


Figure 5-1



CAUTION: NEVER replace the auger shear pins with anything other than OEM Part No.738-04124A replacement shear pins. Any damage to the auger gearbox or other components as a result of failing to do so will NOT be covered by your snow thrower's warranty.



WARNING! Always turn off the snow thrower's engine and remove the key prior to replacing shear pins.

Tire Chain Kit

- 18" x 8.50" tires 490-241-0021
- 18" x 9.50" & 19" x 9.50" tires 490-241-0022
- 20" x 8.00" tires 490-241-0023
- 20" x 10.00" & 20" x 9.00 tires 490-241-0024
- 22" x 9.50" & 23" x 9.50" tires 490-241-0025
- 23" x 10.50" tires 490-241-0026

Weight Kits

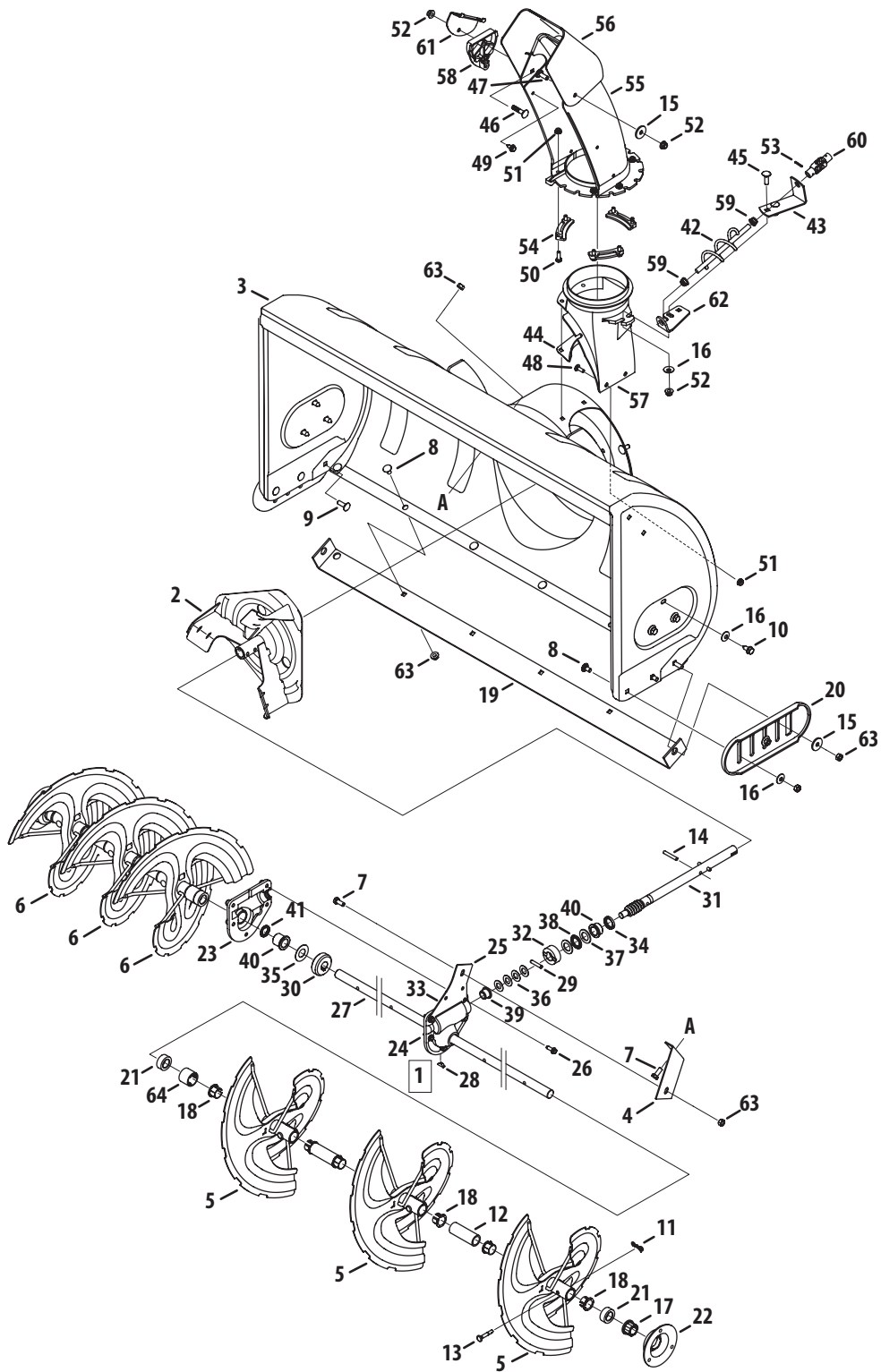
- Suitcase Weight Kit 19A-218-000

Drift Cutter Kit

- Drift Cutter OEM-390-679

NOTE: None of the kits in the table are included as standard equipment with snow thrower attachment OEM-190-032 and 190-032-101. Contact the retailer in which you purchased this equipment, or utilize the contact information on page 2 of this manual for availability and information regarding these kits.

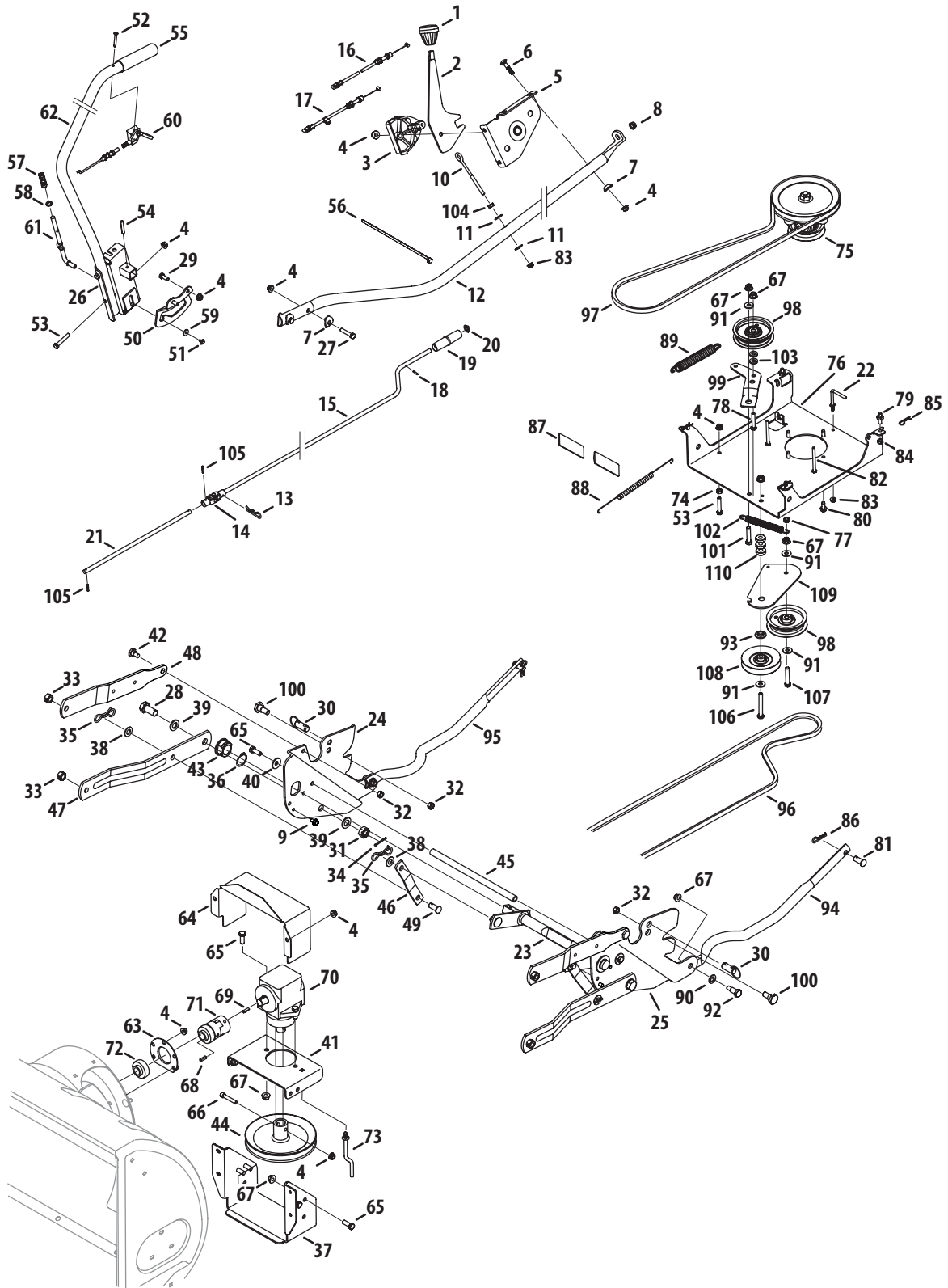
Model 190-032



Ref No.	Part Number	Description
1	918-04315	Auger Gear Box (Incl. Ref. 23-41)
2	684-0158-0637	Impeller Assembly, 12"
3	684-0148-0637	Housing Assembly
4	703-2734-0637	Housing Brace Bracket
5	684-04163-0637	LH Spiral Auger
6	684-04164-0637	RH Spiral Auger
7	710-0759	Hex Cap Screw, 5/16-18 x .625
8	710-0260A	Carriage Bolt, 5/16-18 x .62
9	710-0276	Splined Carriage Screw
10	710-04484	Self Tapping Screw
11	714-04040	Bow-Tie Cotter Pin
12	731-1086A	Sleeve .758 x 1.00 x 2.70
13	738-04124A	Shear Pin, .25 x 1.50
14	915-0114	Spirol Pin, 1/4 x 1-1/2
15	936-0231	Flat Washer, .344 x 1.125 x .12
16	736-0242	Bell Washer, .340 x .872
17	941-0245	Hex Flange Bearing, .75 ID
18	741-0493A	Flange Bushing, .80 x .91
19	784-0396B-0637	Skid Plate Bracket, 42"
20	784-5038B-0637	Slide Shoe
21	711-0469	Spacer, .75 x .125 x .5
22	784-5618A-0637	Hex Bearing Housing, 1.0
23	918-0123A	RH Reducer Housing
24	918-0124A	LH Reducer Housing
25	703-2733A-0637	Housing Brace Plate
26	710-0642	Self Tapping Screw, 1/4-20 x .75
27	711-04468	Spiral Axle, 41.5"
28	914-0161	Hi-Pro Key, 3/16 x 5/8
29	915-0143	Spring Spirol Pin, .25 x 1.25
30	917-0528A	Worm Gear, 20-tooth
31	717-3320	Worm Shaft
32	718-0513	Thrust Collar

Ref No.	Part Number	Description
33	721-0325	Grease Plug
34	721-0327	Grease Seal
35	936-0351	Flat Washer, .76 x 1.5 x .030
36	936-0369	Flat Washer, .508 x 1.0 x .020
37	736-0617	Thrust Washer, .75 x 1.25 x .0615
38	IH-324105-R92	Thrust Bearing, .75 x 1.25 x .078
39	948-0108	Flange Bearing, .503 x .75
40	741-0700	Flange Bearing, .75 x 1.0 x .59
41	921-0179	Grease Seal
42	684-0061A	Chute Crank Assembly
43	703-2735A-0637	Chute Crank Bracket
44	705-5226-0637	Chute Reinforcer
45	710-0276	Splined Carriage Screw
46	710-0262	Carriage Bolt, 5/16-18 x 1.5
47	710-04071	Carriage Screw, 5/16-18 x 1.0
48	710-0703	Screw, 1/4-20 x .75
49	710-0896	Hex Index Washer Screw
50	710-0597	Hex Cap Screw, 1/4-20 x 1.00
51	712-04064	Nylon Hex Lock Nut, 1/4-20
52	712-04063	Nylon Hex Lock Nut, 5/16-18
53	715-04095	Spirol Pin, .156 x .875
54	731-0851A	Chute Flange Keeper
55	731-1300E	Lower Chute
56	731-04427A	Upper Chute
57	731-1379D	Adapter Chute
58	731-1313C	Chute Tilt Cable Guide
59	941-0475	Plastic Bushing
60	684-04350	Joint Block Assembly
61	784-5594-0637	Cable Bracket
62	784-5647-0637	Chute Crank Bracket
63	712-3004A	Flange Lock Nut, 5/16-18
64	731-04870	Spacer 1.25 x .75 x 1.00

Model 190-032

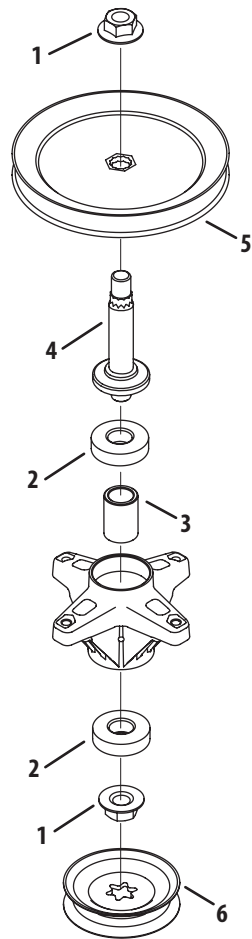


Ref No.	Part Number	Description
1	720-04039	Knob
2	784-5604A-0637	Chute Tilt Handle
3	731-1313C	Chute Tilt Cable Guide
4	712-04063	Nylon Hex Lock Nut, 5/16-18
5	603-0302-0637	Chute Tilt Bracket Assembly
6	710-0262	Carriage Bolt, 5/16-18 x 1.5
7	936-0451	Saddle Washer, .32 x .93
8	941-0475	Plastic Bushing
9	710-0604A	Self Tapping Screw
10	710-05050	Eye Bolt
11	736-0270	Bell Washer, .265 x .75
12	750-04467	Support Chute Tube
13	914-0101	Cotter Pin, .08 x 1.42
14	684-04350	Joint Block Assembly
15	747-1201A	Chute Crank Rod, .38 x 35
16	746-1108	Chute Cable, 62"
17	746-1109	Chute Cable w/ Clip, 62"
18	915-0138	Rolled Pin, 1/8 x .63
19	720-0201A	Crank Knob
20	926-0100	Push Cap, 3/8 ID
21	747-04400A	Rod, .375 x 13.50
22	711-04741	Belt keeper Pin
23	611-0132A-0637	Rod Assembly
24	783-0880D-0637	RH Support Plate Assembly
25	783-0879D-0637	LH Support Plate Assembly
26	683-04150-0637	Lift Bracket Assembly
27	710-0805	Hex Cap Screw, 5/16-18 x 1.50
28	710-0964A	Hex Cap Screw, 5/8-18 x 1.31
29	710-3008	Hex Cap Screw, 5/16-18 x .75
30	714-04061	Quick Release Pin
31	712-0386A	Slotted Hex Nut, 5/8-18
32	912-3000	Hex Lock Nut, 3/8-16
33	712-3022	Hex Lock Nut, 1/2-13
34	914-0470	Cotter Pin, 1/8 x 1.25
35	714-04043	Cotter Pin, Bow Tie
36	916-0102	Snap Ring
37	784-0402-0637	Skid Plate
38	936-0272	Flat Washer, .51 x 1.0 x .060
39	736-0366	Flat Washer, .64 x 1.12 x .125
40	936-0452	Bell Washer, .396 x 1.14 x .095

Ref No.	Part Number	Description
41	783-1014A-0637	Drive Mounting Bracket
42	738-0234	Shoulder Screw, .5 x .29, 3/8-16
43	741-0192	Flange Bearing w/ Flats
44	756-1181A	Drive Pulley, 7"
45	747-1192	Rod, 1/2 x 11.55
46	783-0876	Link, 5.875
47	783-0877	Link, 15.4
48	783-0878B-0637	Link, 13.25
49	911-0332	Clevis Pin, .50 x .78
50	790-00110-0637	Snow Thrower Lift Bracket
51	01001864	Hex Index Washer Screw #10-24
52	710-3143	Pan Phillips Screw, #10-24 x .75
53	710-3180	Hex Cap Screw, 5/16-18 x 1.75
54	915-0114	Heavy Duty Spirol Pin, 1/4 x 1.5
55	720-0274	Handle Grip
56	725-0157	Cable Tie
57	932-0306A	Compression Spring
58	936-0140	Flat Washer, .385 x .62 x .063
59	936-0400	Flat Washer, .194 x .62 x .063
60	746-1103A	Lift Cable, 42" w/ Trigger Control
61	747-1203	Lift Index Rod
62	750-1221-0637	Lift Handle Tube
63	05931A	Bearing Housing, 1.85 ID
64	703-2736-0637	Belt Cover
65	710-0514	Hex Cap Screw, 3/8-16 x 1.0
66	710-3251	Socket Head Cap Screw
67	712-04065	Flange Lock Nut, 3/8-16
68	914-0122	Square Key, 3/16 x .75
69	914-0126	Hi-pro Key, 3/16 x .75
70	917-1714A	Right Angle Drive
71	918-0691	Coupling
72	941-0309	Flange Ball Bearing, .75 x 1.85
73	747-1257	Belt Keeper Rod
74	912-3010	Flange Nut, 5/16
75	618-0411	Spindle Assembly
76	683-04605-0637	Pulley Mounting Bracket
77	912-0266	Nut, 3/8-16, Jamlock
78	710-0347	Hex Cap Screw, 3/8-16 x 1.75
79	710-04511	Pin 5/16-18
80	710-1260A	Carriage Bolt, 5/16-18 x .62

Model 190-032

Ref No.	Part Number	Description
81	911-0310	Clevis Pin, .5 x 1.18
82	911-1000	Belt Keeper Pin
83	712-04064	Nylon Hex Lock Nut, 1/4-20
84	912-3009	Hex Lock Nut, 5/16-18
85	914-0145	Click Pin, .092 x 1.64
86	714-0147	Internal Cotter Pin, .125 x 1.75
87	930-3000	Reflector
88	732-04237	Extension Spring .50 x 12.00
89	932-0594A	Extension Spring .91 x 7.33
90	936-0192	Flat Washer, .531 x .93 x .09
91	736-3072	Flat Washer, .38 x .93 x .11
92	938-0145	Shoulder Screw, 3/8-16
93	938-0347	Shoulder Spacer, .625 x .169
94	749-1103-0637	LH Support Tube
95	749-1104-0637	RH Support Tube
96	954-3053	V-Belt
97	954-0498	V-Belt
98	756-0627D	Idler Pulley 3.50 dia.
99	783-1291-0637	Idler Bracket
100	738-0143	Shoulder Bolt
101	710-3005	Hex Cap Screw, 3/8-16 x 1.25
102	732-0978	Extension Spring, .620 x 5.62
103	736-3010	Flat Washer, .407 x .812 x .135
104	712-3006	Hex Lock Nut, 1/4-20
105	715-04095	Spirol Pin, .156 x .875
106	710-3022	Hex Cap Screw, 3/8-16 x 2.75
107	710-3144	Hex Cap Screw, 3/8-16 x 2.00
108	756-0487	Idler pulley, 4" Diameter
109	784-5727-0637	Idler Pivot Arm
110	911-0242	Spacer



Ref No.	Part Number	Description
1	712-0417A	Flange Nut 5/8-18
2	941-0919	Ball Bearing
3	750-1096	Spacer
4	738-0976	Spindle Shaft
5	756-0999	Deck Pulley 7"
6	756-1173	Pulley 3.75"