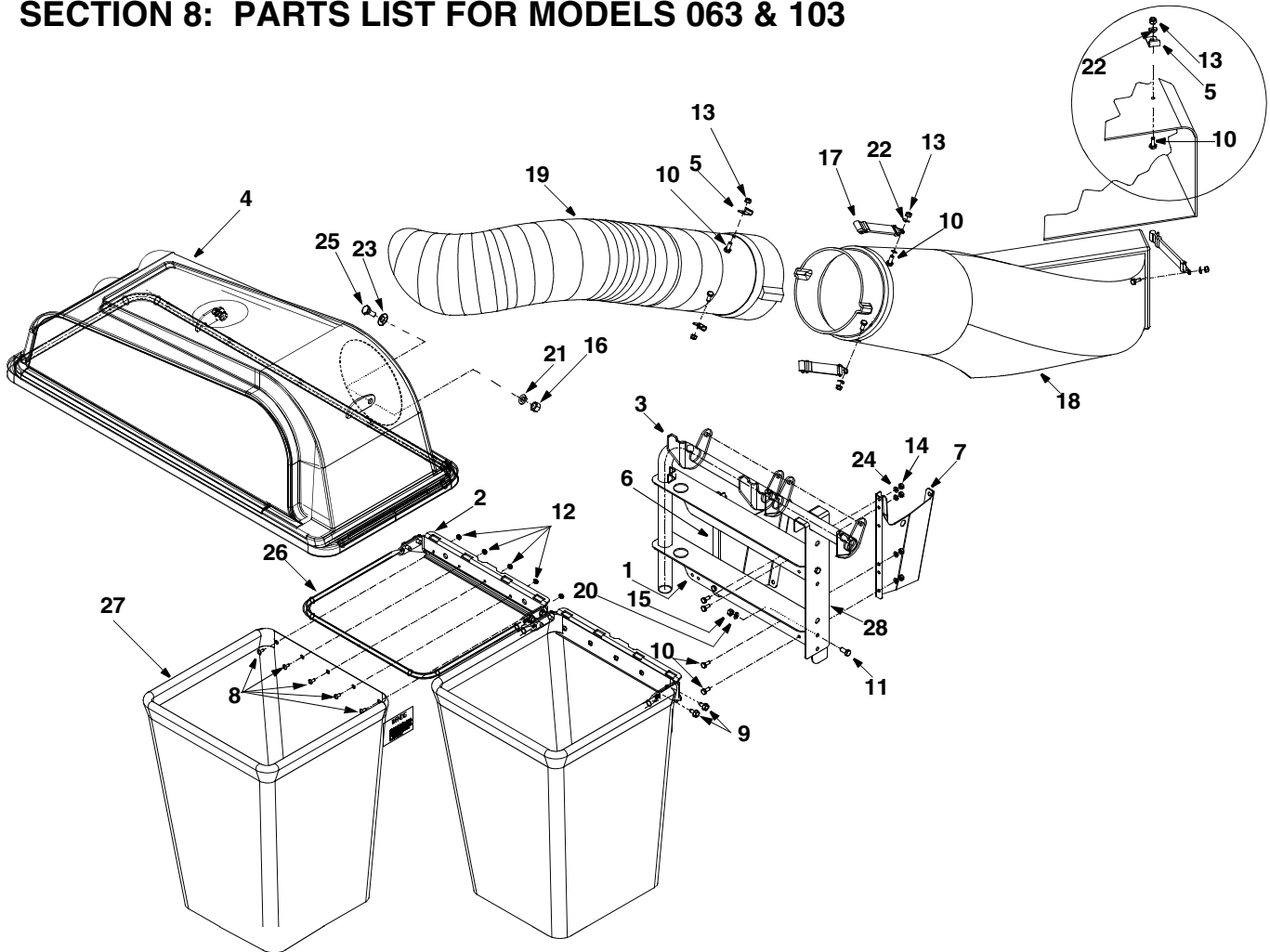


SECTION 8: PARTS LIST FOR MODELS 063 & 103



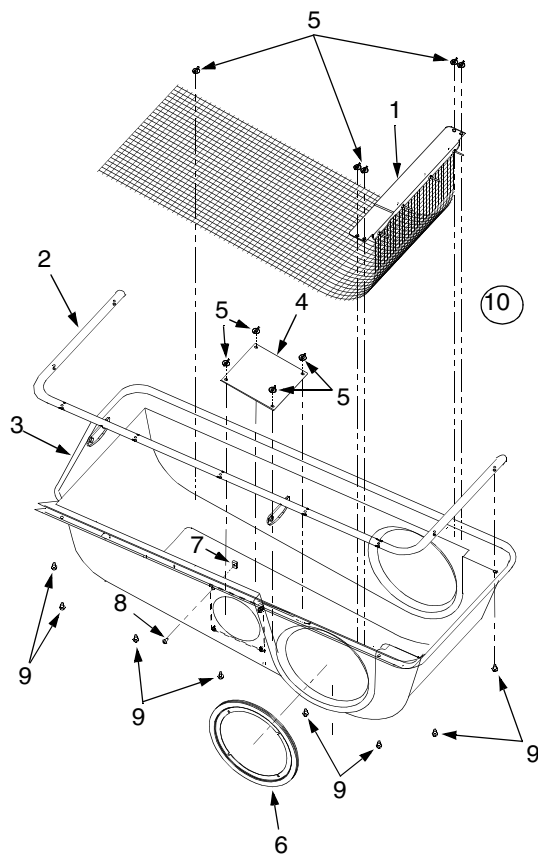
Ref. No.	Part No.	Description	Ref. No.	Part No.	Description
1.	16587B	Catcher Support Tube Mtg. Brkt.	16.	712-3017	Hex Nut: 3/8-16 Gr. 8
2.	16591A	Hanger Bracket: Bag Frame	17.	723-0383	Retainer Strap Assembly
3.	16592	Catcher Support Tube Assembly	18.	731-0827A	Discharge Chute †
4.	16594A	Cover Assembly* †		731-0925A	Discharge Chute ‡
	631-0007	Cover Assembly* ‡	19.	731-0899A	Chute Tube †
5.	16606	Retainer Hook Bracket		731-0926	Chute Tube ‡
6.	16610C	Support Bracket: LH	20.	736-0119	Lock Washer: 5/16
7.	16611C	Support Bracket: RH	21.	736-0169	Lock Washer
8.	710-0473	Mach. Screw: #10-24 X 0.5"	22.	736-0175	Spring Washer
9.	710-0604	Screw, TT: 5/16-18 X 0.625"	23.	736-0255	Bell Washer †
10.	710-0751	Hex Bolt: 1/4-20 X 0.620" Gr. 5		736-0253	Bell Washer ‡
11.	710-3008	Hex Bolt: 5/16-18 X 0.75" Gr. 5	24.	736-0329	Lock Washer: 1/4
12.	712-0272	Hex Sems Nut: 10-24	25.	738-0380	Shoulder Screw
13.	712-0324	Hex Lock Nut	26.	749-0701A	Frame Tube
14.	712-3006	Hex Nut: Gr. 5	27.	764-0221	Catcher Bag
15.	712-3010	Hex Nut: 5/16-18	28.	783-0601	Catcher Support Bracket

* See next page for complete breakdown.

† Model 063 only

‡ Model 103 only

Grass Catcher Cover Assembly



Ref. No.	Part No.	Description
1.	16847A	Screen Assembly
2.	16596	Hinge Bracket Assembly
3.	731-0821A	Grass Catcher Cover †
	731-1417	Grass Catcher Cover ‡
4.	731-0824A	Plastic Plate
5.	726-0258	Zip Twist Fastener
6.	723-0412	Tube Seal †
	723-0413	Tube Seal ‡
7.	712-0147	U-Type Speed Nut
8.	710-0351	Screw, #10-16 x 0.5" †
	710-0473	Screw, #10-24 x 0.5" ‡
9.	710-0599	Hex Screw, 1/4-20 x 0.5" †
	710-0896	Hex Screw, 1/4-14 x 0.625" ‡
10.	16594A	Grass Catcher Cover Assembly †
	631-0007	Grass Catcher Cover Assembly ‡

† Model 063 only

‡ Model 103 only