



PARTS MANUAL

MODEL K161-L161 7HP

Engine Specs 2801 — 281298

Generator Specs 4100-42633

HOW TO FIND YOUR PART NUMBER

1 Refer to the Composite Exploded View on page 2 (Grid A2). It contains major engine components boxed and identified by Group Number. Examine these groups for your part. After you locate your part, record the Group Number.

If the part you need is not illustrated, locate a major engine component related to your part and use this component to identify the Group Number.

2 Obtain the Spec Number from the nameplate attached to the engine shrouding. Refer to the Spec Number Index beginning on page 3 (Grid A3). Listed vertically on the left are Spec Numbers. Listed horizontally across

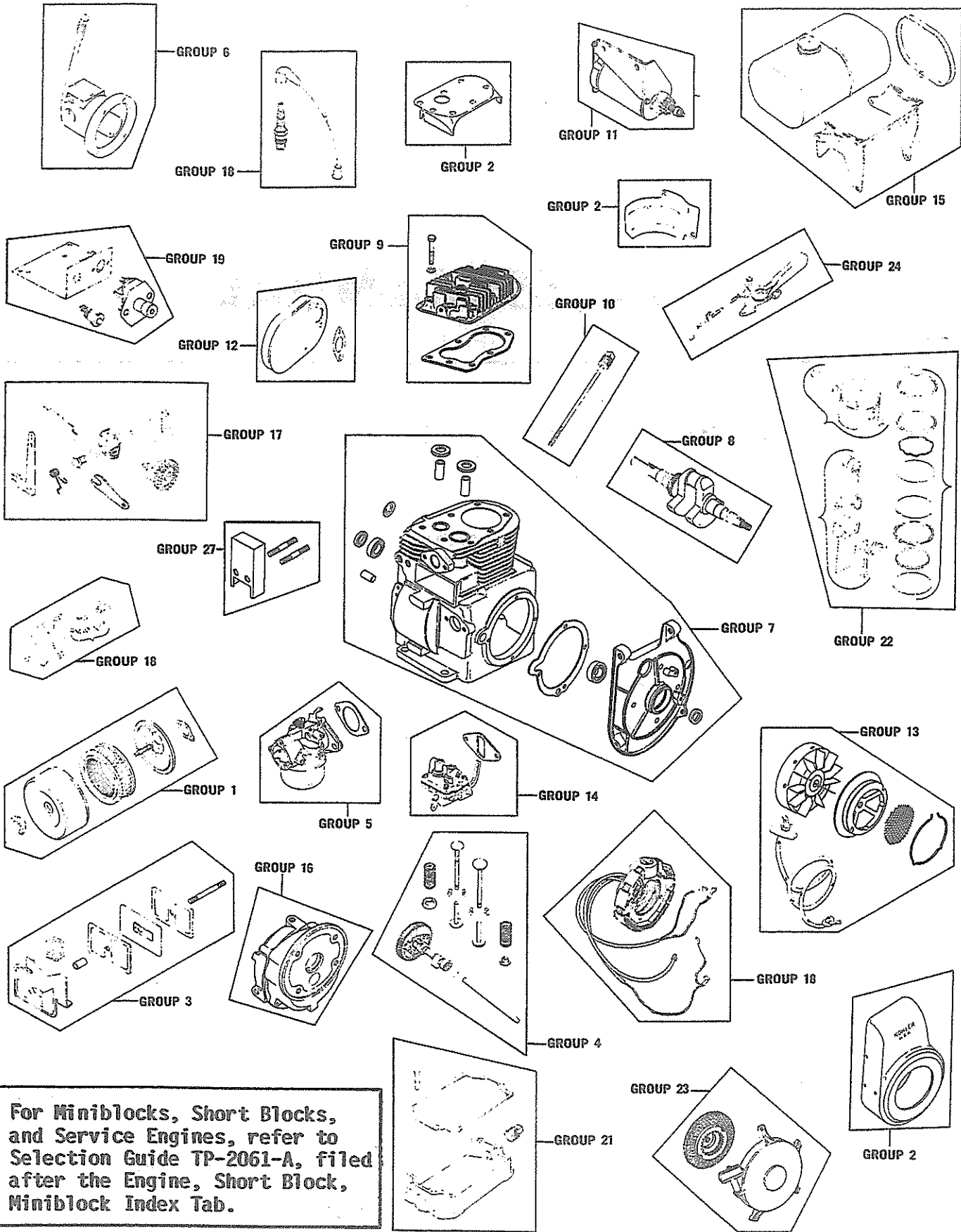
the top are Group Numbers and their titles, Page and Grid Numbers.

Locate your Spec Number. Follow horizontally from your Spec Number to the Group Number column. Where these two columns meet is the Variation Number of your part. Record that Variation Number.

3 Refer to the page (or grid) where your part is listed. Locate the part in the illustration, use its identifying index letter to locate the part name in the listing. Find the Variation Number of your part in those listed below the part name. Your part number is listed to the right of the Variation Numbers.

Illustrations are not intended to show the exact detail for all variations covered.

COMPOSITE EXPLODED VIEW



For Miniblocks, Short Blocks, and Service Engines, refer to Selection Guide TP-2061-A, filed after the Engine, Short Block, Miniblock Index Tab.

SPEC. NO. INDEX

GROUP TITLE	SPEC. NO. INDEX																								
	AIR INTAKE	BAFFLES & SHROUD	BREATHER & VENT	CAKSHAFT & VALVES	CARBURETOR	CLUTCH	CRANKCASE	CRANKSHAFT	CYLINDER HEAD	DIPSTICK	ELECTRIC START	EXHAUST	FLYWHEEL	FUEL PUMP	FUEL TANK	GEAR REDUCTION	GOVERNOR	IGNITION	INSTRUMENT PANEL	OIL PAN	PISTON & ROD	RETRACTABLE START	REMOTE THROTTLE		
Group No.	1	2	3	4	5	6	7	8	9	10	11	12	13	14	15	16	17	18	19	21	22	23	24		
PAGE NO.	25	28	32	32	33	38	41	43	43	44	45	51	52	54	57	60	61	62	65	66	67	68	71		
SPEC NO.	VARIATION NUMBER																								
281276	35	274	2	47	56		211	1	52	1		59	129	1	70										
281279	35	274	2	47	56		211	6	52	1		59	129	1	70		93	178			1	14	9	1	
281283*	35	268	2	48	33		211	6	66	5			129	1			124	184			1	14	9		
281284*	113	318	2	51	197		223	6	70	8	704		141	59			172	237			5	14			
281285*	75	299	2	47	33		211	6	63	1			129	1			82	236	503		5	14	9		
281286*		274	2	47	56		211	3	70	1		61	129	1	71	1	155	184			1	14	9		
281287	35	274	2	48	56		241	119	52	1		59	129	1	70		147	178			1	14	9		
281290	35	274	2	47	56		211	6	52	1		59	129	1	70		82	184			5	14	9		
281291	35	274	2	48	56		241	119	52	35		59	129	1	70		147	178			1	14	9		
281293	35	274	2	48	56		241	119	52	35		59	129	1	70		171	190			1	14	9		
281294*	113	318	2	51	189		223	6	70	8	704		141	59			172	237			5	14			
281295	35	274	2	48	56		241	119	52	35		59	129	1	70		171	190			1	14	9		
281298	35	275	2	51	56		215	6	52	1	122	59	131	1	70		82	232	47		1	14			

*Accessories: See Page 72
 #Basic Engine

Gasket Set: See Page 75
 Contact your Kohler engines parts supplier
 for any specification not listed.

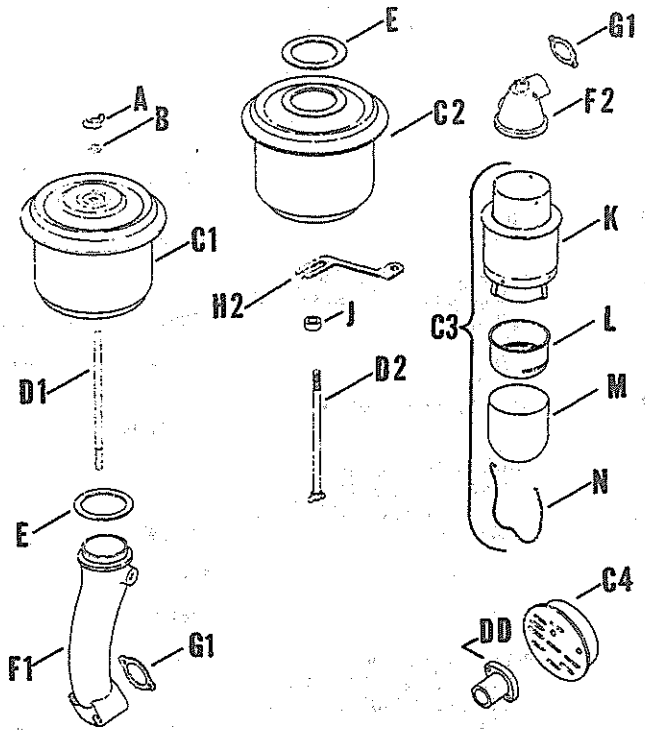
GENERATOR SET SPEC. NO. INDEX

GROUP TITLE	AIR INTAKE	BAFFLES & SHROUD	BREATHER & VENT	CAMSHAFT & VALVES	CARBURETOR	CRANKCASE	CRANKSHAFT	CYLINDER HEAD	DIPSTICK	EXHAUST	FLYWHEEL	FUEL PUMP	FUEL TANK	GOVERNOR	IGNITION	INSTRUMENT PANEL	OIL PAN	PISTON & ROD	RETRACTABLE START	THROTTLE CABLE	ANTI FLICKER
<i>Group No.</i>	1	2	3	4	5	7	8	9	10	12	13	14	15	17	18	19	21	22	23	24	27
PAGE NO.	25	28	32	32	33	41	43	43	44	51	52	54	57	61	62	65	66	67	68	71	71
SPEC NO.	V A R I A T I O N N U M B E R																				
42580H	331	286	2	53	820	229	18	15	2	307	128	600		801	213		1	14			
42581H	331	286	2	53	820	229	18	15	2	307	128	600		801	213		1	14			
42582H	333	286	2	53	813	229	18	15	2	307	128	601		801	213		1	14			
42584H	331	286	2	53	821	229	18	70	2	307	135	600		801	213		1	14			
42585H	330	284	2	53	825	229	18	15	2	307	129	605		801	195		1	14	9		
42586H	330	282	2	53	814	229	18	70	2	307	135	604		801	213		1	14			
42587H	68	284	2	53	33	229	18	15	2	311	129	3	301	129	195		1	14	9		
42588H	68	284	2	53	33	229	18	15	2	311	129	3	301	129	195		1	14	9		
42589H	332	284	2	53	816	229	18	15	2	308	129	605	301	801	195		1	14	9		
42590H	333	284	2	53	816	229	18	15	2	308	129	605		801	195		1	14	9		
42591H	333	284	2	53	816	229	18	15	2	308	129	605	301	801	195		1	14	9		
42592H	333	284	2	53	816	229	18	15	2	308	129	605	301	801	195		1	14	9		
42593H	331	286	2	53	820	229	18	15	2	307	128	600		801	213		1	14			
42595H	331	286	2	53	820	229	18	15	2	308	128	600		801	213		1	14			
42601H	333	284	2	53	816	229	18	15	2	308	129	605	301	801	195		1	14	9		
42602H	333	284	2	53	816	229	18	15	2	308	129	605		801	195		1	14	9		
42603H	330	284	2	53	825	229	18	15	2	311	129	605	301	801	195		1	14	9		
42605H	333	284	2	53	816	229	18	15	2	308	129	605	301	801	195		1	14	9		
42606H	333	284	2	53	816	229	18	15	2	308	129	605	301	801	195		1	14	9		
42607H	333	284	2	53	816	229	18	15	2	308	129	605	301	801	195		1	14	9		
42608H	333	284	2	53	816	229	18	15	2	308	129	605	301	801	195		1	14	9		
42609H	333	284	2	53	816	229	18	15	2	308	129	605	301	801	195		1	14	9		
42610H	333	284	2	53	816	229	18	15	2	308	129	605	301	801	195		1	14	9		
42611H	331	284	2	53	817	229	18	15	2	308	129	600		801	195		1	14	9		
42612H	333	284	2	53	816	229	18	15	2	308	129	605	301	801	195		1	14	9		
42613H	333	284	2	53	816	229	18	15	2	308	129	605	301	801	195		1	14	9		
42619H	331	286	2	53	820	229	18	15	2	307	128	600		801	213		1	14			
42620H	333	284	2	53	816	229	18	15	2	308	129	605	301	801	195		1	14	9		
42621H	333	284	2	53	816	229	18	15	2	308	129	605	301	801	195		1	14	9		
42625H	333	284	2	53	816	229	18	15	2	308	129	605	301	801	195		1	14	9		
42628H	333	284	2	53	816	229	18	15	2	307	129	605		801	195		1	14	9		
42631H	333	284	2	53	816	229	18	15	2	308	129	605	301	801	195		1	14	9		
42633H	333	282	2	53	813	229	18	70	2	307	135	601		801	213		1	14	9		

Gasket Set: See Page 75

Contact your Kohler generator parts supplier for any specification not listed.

1 AIR INTAKE



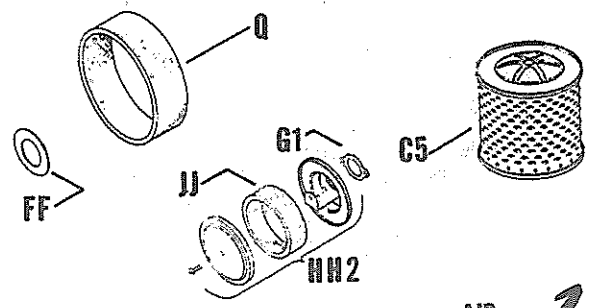
INDEX LTR.	DESCRIPTION VARIATION NUMBER	PART NUMBER	QTY.
C3	Cleaner, air - assembly (Includes K,L,M & N) 8,29,38,39,307,309,313,322,323,324,325,327,328,329,332,340,341,344,345,353	A-230538	1
	13,36	240259	1
	Cleaner, air - assembly (Includes K,L,M & N) (Replaced by A-230538) 42	231305	1
C4	Cleaner, air 18,351	210449	1
C5	Cleaner, air 22	220501	1
	26	220516	1
C6	Cleaner, air - assembly (Includes A,O,P1 & R) 35,37,43,48,339,352	A-230837	1
	68	A-231886	1
D1	Stud, air cleaner 1/4 - 20 x 6-1/4 1,102,107	230196	1
	Stud, air cleaner 1/4 - 20 x 7-1/4 5,14,16,17,45,304,314,316,326,330,340,342,343	220314	1

INDEX LTR.	DESCRIPTION VARIATION NUMBER	PART NUMBER	QTY.
------------	------------------------------	-------------	------

Use stock of original part number before ordering replacement.

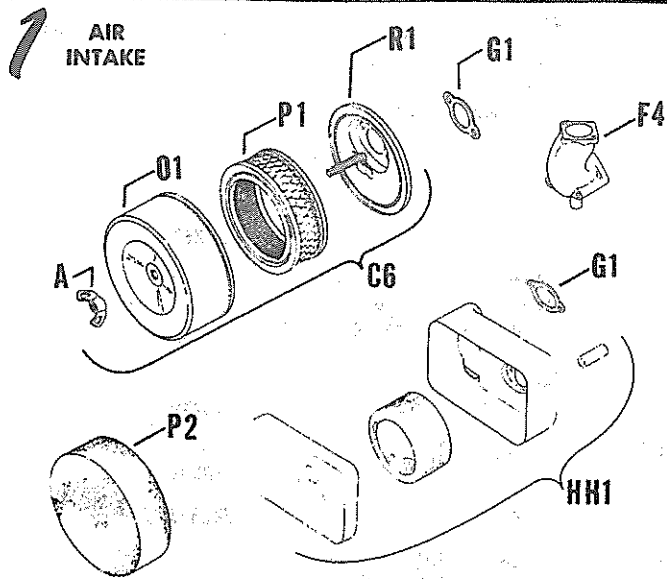
A	Nut, wing 1/4 - 20 1,3,5,14,27,32,35,37,41,43,45,48,49,55,60,62,68,75,107,110,113,304,314,316,317,319,321,326,329,330,331,333,339,352,354	X-276-7	1
	305,306,308,318	X-276-7	2
	Nut, wing #10 - 24 22,26	X-276-1	1
B	Washer, sealing 1/4 (Replaced by X-276-7) 5,14,27,32,49,55,83,304,305,306,308,316,317,318,326,327,330,342,343,348,354,900	A-536	1
C1	Cleaner, air 1,5,14,27,32,45,49,55,304,305,306,308,314,316,317,318,321,326,330,342,343,348,354	151834	1
	30,31,300,301,302,303,307,310,311,312,317,318,320,337,338,347	210323	1
C2	Cleaner, air - assembly (Includes D2 & E) 2,900	230314	1

	Stud, air cleaner #10 - 24 x 5-7/8 15,22,26	220507	1
	Stud, air cleaner 1/4 - 20 x 8-1/4 27	230850	1
	Stud, air cleaner 1/4 - 20 x 6-1/16 (Replaced by 220314) 32,40,49,55,305,306,309,320,348,354	210186	1
	Stud, air cleaner 1/4 - 20 x 2-13/16 41	231359	1
	Stud, air cleaner 1/4 - 20 x 3-1/4 60,62	275220	1



AIR INTAKE

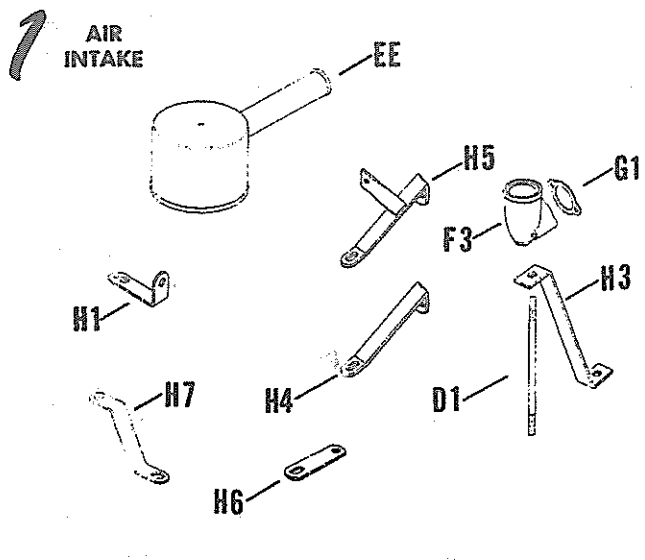
K161-L161



INDEX LTR.	DESCRIPTION VARIATION NUMBER	PART NUMBER	QTY.
(D1-CONTINUED)			
	Stud, air cleaner 1/4 - 20 x 4-1/4 83,327	232611	1
	Stud, air cleaner 1/4 - 20 x 4 110	231843	1
	Stud, air cleaner 1/4 - 20 x 6-5/8 321	210186-1	1
D2	Stud, air cleaner 1/4 - 20 x 6-11/16 (Discontinued--Not Available) 2,900	230324	1
	Stud, air cleaner 1/4 - 20 x 6-7/8 30,31,300,301,302,303, 307,310,311,312,317,319, 320,337,338,347	220318	1
E	Gasket, cleaner mounting 1,2,27,41,60,62,321,900	AC-1787	1
	Gasket, cleaner mounting (Discontinued--Not Available) 22,26	220719	1
F1	Elbow, air cleaner 1,27,41,77,102,107,110	230167	1
	60,62	231559	1
F2	Elbow, air cleaner 2,5,86,328,353,900	230276	1
	8,29,38,42,307,313,322, 325,327,329,332,341,344, 345	230553	1
	13	230537	1
	36,39	230999	1

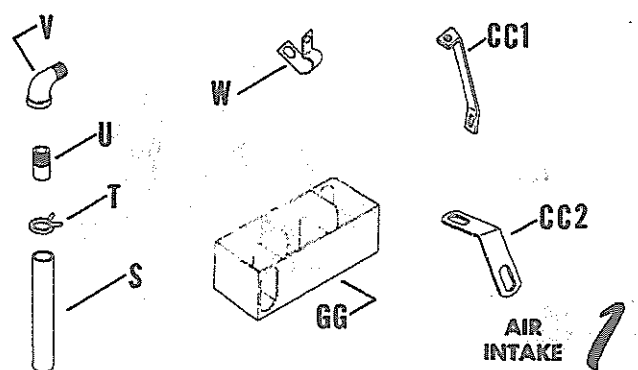
INDEX LTR.	DESCRIPTION VARIATION NUMBER	PART NUMBER	QTY.
F3	Elbow, air cleaner 9,11,16,30,31,300,301,302, 303,304,306,307,309,310, 311,312,317,337,338,341, 342,347,350,351,352,353, 354	210359	1
	15,22,26,46	220508	1
	83,327	232606	1
F4	Elbow, air cleaner 75	232505	1
G1*	Gasket, intake elbow ALL (except 23,83,86,113, 900)	220537	A.R.
	86	232754	A.R.
G2	Gasket, intake elbow 113	41 041 02	1
H1	Brace, air cleaner 1,14,16,27,32,41,102,107, 110,304,305,306,314,342, 343,354	230339	1
	40,348	231188	1
	77	234719	1
H2	Brace, air cleaner 2,9,11,30,31,300,301,302, 303,310,311,312,317,337, 338,347	230312	1
	900	230278	1
H3	Brace, air cleaner 5	230439	1
H4	Brace, air cleaner 8,13,23,36,39,42,307, 313,322,323,324,332,341, 345	230539	1
H5	Brace, air cleaner 38	231172	1
H6	Brace, air cleaner 60,62	231563	1
H7	Brace, air cleaner 86,328,353	232749	1
J	Spacer 2,30,300,301,302,303,307, 310,311,312,317,319,320	275028	2
	16,32,40,97,304,306,309, 314,320,342,343,348,354	220305	1
	27	230852	1
	36,39	220534	1
K	Body, upper 8,29,38,39,42,307,309,313, 322,323,324,325,327,328, 329,332,340,341,344,345, 353	232561	1
	13,36	232564	1
L	Baffle, air cleaner 8,29,38,39,42,307,309,313, 322,323,324,325,327,328, 329,332,340,341,344,345, 353	231415	1
	13,36	232563	1

*REVIEW PARTS BULLETIN NO. 124 (DATED 4/83)
BEFORE ORDERING THIS PART.



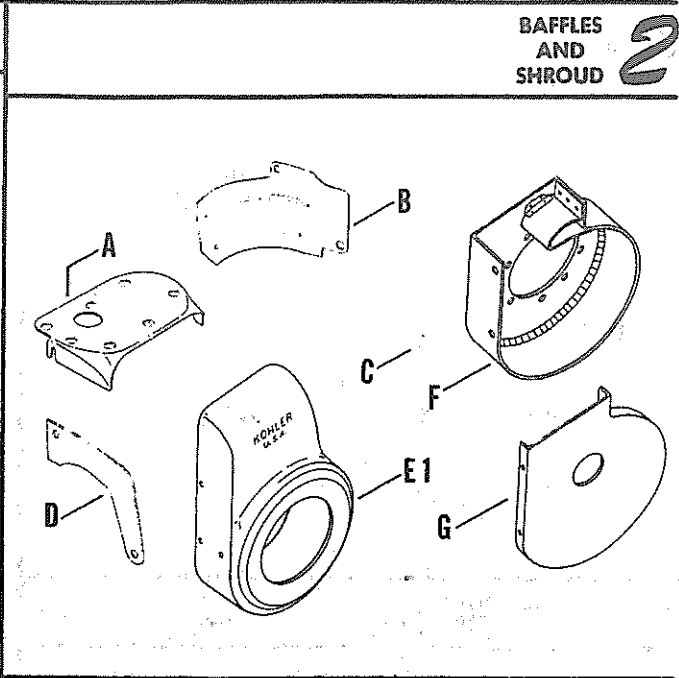
INDEX LTR.	DESCRIPTION VARIATION NUMBER	PART NUMBER	QTY.
M	Cup, air cleaner 8,29,38,39,42,307,309,313, 322,323,324,325,327,328, 329,332,340,341,344,345, 353 13,36	231414 232562	1 1
N	Fastener, oil cup 8,13,29,36,38,39,42,307, 309,313,322,323,324,325, 327,328,329,332,340,341, 344,345,353	231476	1
O1	Cover, air cleaner (Use 231855 cover on 3KW gasoline models after serial no. 338156) 35,37,41,43,48,60,62,308, 318,319,329,331,339,352 Cover, air cleaner 68,75,333	230839 231855	1 1
O2	Cover, air cleaner 113	41 082 01	1
P1	Element, air cleaner (Use 231847 element on 3KW gasoline models after serial no. 338156) 35,37,41,43,48,60,62,308, 318,319,329,331,339,352 Element, air cleaner 68,75,333 113	230840 231847 235116	1 1 1
P2	Element, air cleaner 83,327	280125	1
Q	Element, pre-cleaner (May be used with air cleaner element 230840) Element, pre-cleaner (May be used with air cleaner element 231847)	234870 234869	1 1

INDEX LTR.	DESCRIPTION VARIATION NUMBER	PART NUMBER	QTY.
R1*	Base, air cleaner (Use 231857 base on 3KW gasoline models after serial no. 338156) 35,37,41,43,48,308,318, 319,329,331,339,352	230838	1
	Base, air cleaner 60,62	231255	1
	68,333	231857	1
	75	232551	1
R2	Base, air cleaner 113	41 094 06	1
S	Hose 1/2 I.D. x 3/4 O.D. x 3-1/8 36,39	X-484-2	1
T	Clamp, hose (Replaced by X-426-3) 36,39	X-309-11	2
U	Nipple 1/4 x 1 36,39	X-226-2	1
V	Elbow, street 1/4 36,39	X-211-6	1
W	Clip, cable 38	210149	1
X	Venturi 9/16 14,17,49,326,330,340 Venturi 7/16 16,32,40,45,55,304,305, 306,309,314,316,320,321, 342,343,348,354	230471 230566	1 1
Y	Plug, expansion 14,16,17,45,304,309,314, 316,320,321,326,330,340, 342,343 Plug, expansion (Replaced by X-230-14) 32,40,49,55,305,306,348, 354	X-230-16 153587	1 1
Z	Valve, needle 14,16,17,45,304,314,316, 321,326,330,340,342,343	150305	1
AA	Body, valve 14,16,17,45,304,314,316, 321,326,330,340,342,343	220482	1



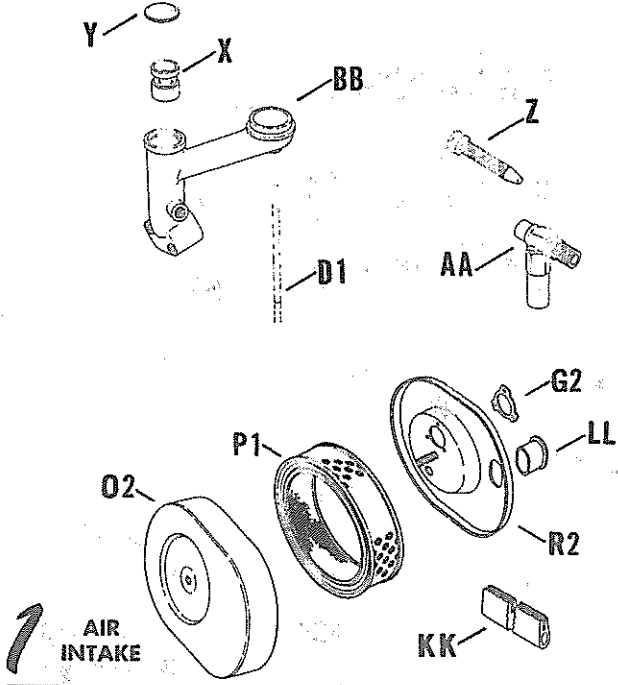
*REVIEW PARTS BULLETIN NO. 124 (DATED 4/83) BEFORE ORDERING THIS PART.

INDEX LTR.	DESCRIPTION VARIATION NUMBER	PART NUMBER	QTY.
BB	Mixer, gas 14,16,17,32,40,45,304,305, 306,309,314,316,320,321, 326,330,340,342,343,348, 354	234868	1
	Mixer, gas (Replaced by 234868) 49,55	230558	1
CC1	Brace, mixer 17,45,316,326,330,340 49,55	230559 231487	1 1
CC2	Brace, mixer 321	41 120 01	1
DD	Adapter, air horn 21	230712	1
EE	Arrestor, flame 86,328,353	234878	1
FF	Gasket, air cleaner 83,327	232610	1
GG	Air, maze 327	232608	1
HH1	Duct, air intake - assembly 3	A-230365-S	1
HH2	Duct, air intake - assembly 12,350	A-220338	1
JJ	Element 12,350	220922	1
KK	Seal, air cleaner cover 113	41 032 01	1
LL	Tube, air cleaner 113	41 134 01	1

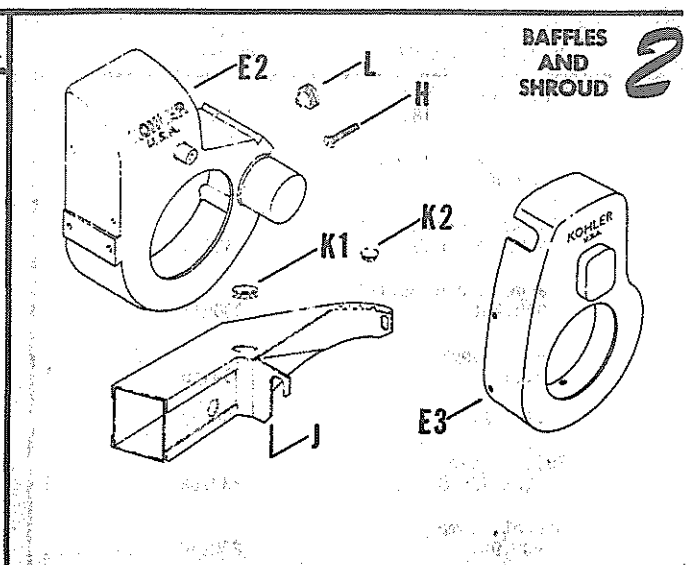


BAFFLES AND SHROUD **2**

INDEX LTR.	DESCRIPTION VARIATION NUMBER	PART NUMBER	QTY.
<div style="border: 1px solid black; padding: 5px; width: fit-content; margin: 0 auto;"> Use stock of original part number before ordering replacement. </div>			
<div style="border: 1px solid black; padding: 5px; width: fit-content; margin: 0 auto;"> Specifications prior to 281162 have a bore size of 2-7/8". Bore size is now 2-15/16" which is the K181 bore size. The K161 now uses the same size blower housing as the K181. </div>			
A	Baffle, head ALL (except 9,23,48,50,61, 152,182,244,259,266,268, 274,275,276,277,278,279, 280,284,285,286,295,299, 302,308,900,901)	234402	1
	61	230988	1
	152,266,268,274,275,276, 277,278,279,284,285,286, 299,302,308,318	234796	1
	Baffle, head (Replaced by 234402) 259	230522	1
B	Baffle, cylinder ALL (except 2,4,8,17,30, 31,47,59,61,78,83,87, 152,232,234,265,266,268, 274,275,276,277,278,279, 295,299,302,308)	230054	1
	2,4,8,30,83	230263	1
	17,31,47,59,61,78,87,232	230608	1
	152,266,268,274,275,276, 277,278,279,295,299,302, 308,318	234795	1
	234,265	234510	1
C	Spacer 93	X-400-28	1



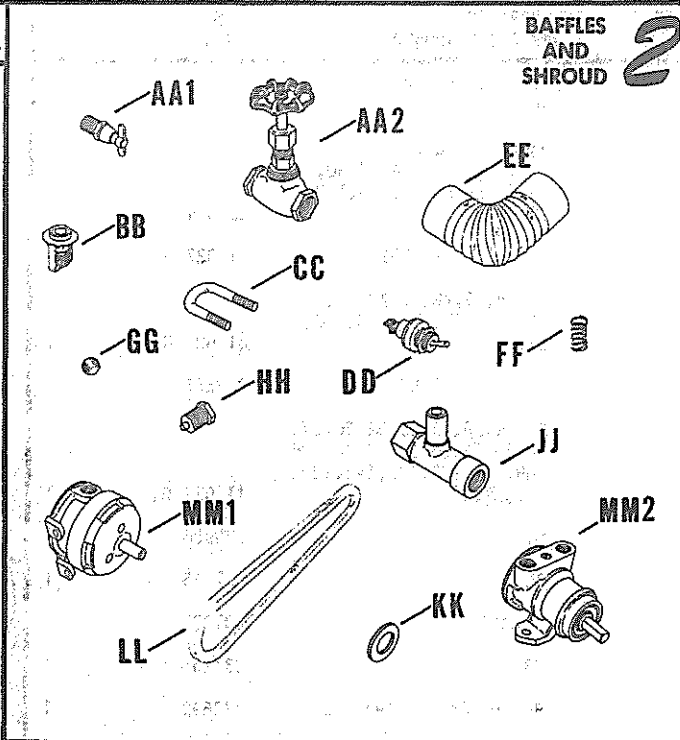
INDEX LTR.	DESCRIPTION VARIATION NUMBER	PART NUMBER	QTY.
D	Baffle, side air ALL	230757	1
E1	Housing, blower 1,3,19,25,33,34,38,50, 63,69,79,84,95,110,178, 280	231804	1
	6,40,196,218,259	41 027 03	1
	11,15,16,28,39,42,55,60, 62,119,161,170,228,233, 252	41 027 02	1
	17,31,47,61,87	230561	1
	22,26,36,51,52,64,66,67, 68,70,71,80,89,93,94,106, 109,113,122,127,146,189, 190,221,244	41 027 01	1
	59	230985	1
	72	231275	1
	77,212	231277	1
	78	231264	1
	97,98,108,116,191,192	232699	1
	111	234447	1
	118,128	232699	1
	152	41 027 10	1
	232	232954	1
	234,265	234315	1
	264	234819	1
	266,286	231774	1
	274	234449	1
	275	41 027 07	1
	276	41 027 06	1
	277	41 027 04	1
	278	41 027 09	1
	279	41 027 08	1
	285	41 027 11	1
	295,299	41 027 17	1
	302	41 027 18	1
	308	41 027 23	1
	318	41 027 20	1
	Housing, blower (Replaced by 41 027 02)	230806	1
	45	230806	1
	251	234566	1
	Housing, blower (Replaced by 41 027 21)	41 027 05	1
	268,284	41 027 05	1
	Housing, blower 282,291	232519	1



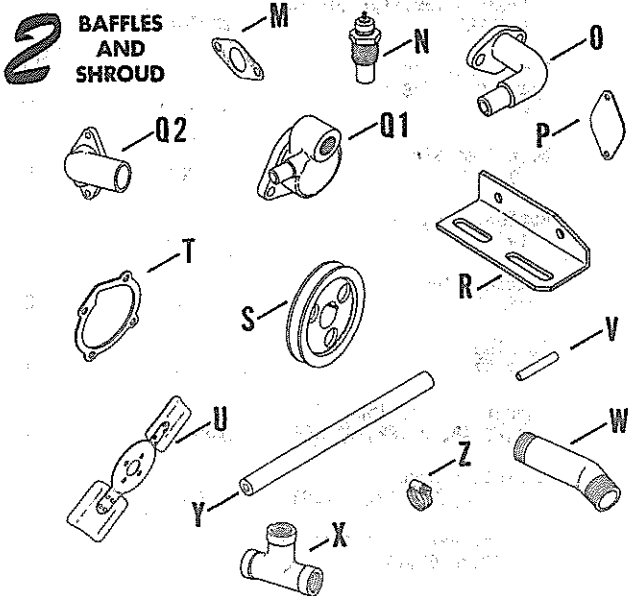
BAFFLES AND SHROUD 2

INDEX LTR.	DESCRIPTION VARIATION NUMBER	PART NUMBER	QTY.
(E1-CONTINUED)			
	Housing, blower (Replaced by 231804) 700	230136	1
E2	Housing, blower (Discontinued--Not Available) 2,4,83	230250	1
	30	230653	1
	Housing, blower 8	230760	1
E3	Housing, blower 9,23,48,182	230458	1
F	Scroll, induced air 17,31,47,59,61,78,87,232, 282,291	230586	1
G	Cover, scroll 17,31,47,59,61,78,87,232, 282,291	230587	1
H	Screw, hex. hd. 1/4 - 20 x 7/8 89,122	X-465-1	1
J	Duct, hot air 19	230704	1
K1	Button, plug 19	X-301-7	1
K2	Button, plug 700	X-301-1	2
L	Bushing 52,67	243035	1
M	Gasket, inlet elbow 9,23,48,50,182,900,901	230593	1
	Gasket, flange 9,23,48,50,182,900,901	230572	1
N	Switch, water temperature 9,23,48,50,182	240976	1

INDEX LTR.	DESCRIPTION VARIATION NUMBER	PART NUMBER	QTY.
O	Elbow, water inlet 9,23,48,50,182	230592	1
P	Cover, water inlet 900,901	231217	1
Q1	Flange, water outlet 9,23,48,50,182	230573	1
Q2	Flange, water outlet 900,901	230973	1
R	Bracket, pump 9,23	230460	1
	48,182	230882	1
S	Pulley, pump 9,23,48,182	230768	1
T	Gasket, pump 900,901	230970	1
U	Blade, fan 900,901	230971	1
V	Pin, roll 9	230134	1
W	Nipple, special 4-1/4 50	230908	1
X	Tee, pipe 23,48,182	155019	1
Y	Hose 1/2 x 10-1/2 9	X-409-2	1
	23,48,182	X-422-9	1
	Hose 1/2 x 3-1/2 23,48	X-422-10	1
	Hose 1/2 x 8-1/2 50	X-409-5	1
	Hose 1/2 x 2-3/4 182	X-422-13	1

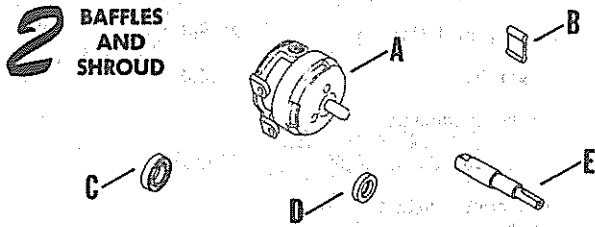


BAFFLES AND SHROUD 2



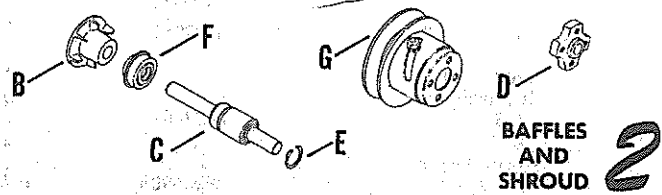
INDEX LTR.	DESCRIPTION VARIATION NUMBER	PART NUMBER	QTY.
Z	Clamp, hose 9,23,48,50,182	X-426-3	4
	900,901	X-426-8	2
	900,901	X-426-4	1
AA1	Valve 9,23,48,50,182,900,901	X-256-2	1
AA2	Valve 50	X-381-2	1
AA3	Valve, electric (Not Shown) 50	A-231985	1
BB	Thermostat 9,23,48,50,182	230563	1
	900,901	231110	1
CC	U-bolt 50	230905	2
DD	Switch 15,16,28,42,78,264,284, 285,291	234690	1
EE	Hose, radiator 900,901	231170	2
FF	Spring, relief valve 3/8 - 5/16 9,23,48,50,182	230568	1
GG	Ball, relief valve 7/16 9,23,48,50,182	230570	1
HH	Nut, relief valve 9,23,48,50,182	230571	1
JJ	Body, relief valve 9,23,48,50,182	230567	1

INDEX LTR.	DESCRIPTION VARIATION NUMBER	PART NUMBER	QTY.	INDEX LTR.	DESCRIPTION VARIATION NUMBER	PART NUMBER	QTY.
KK	Washer, relief valve 21/32 x 1 9,23,48,50,182	230569	1	A	Pump, water - assembly 48,182	A-232383	1
	Washer, rubber 11/32 x 3/4 900,901	231167	6	B	Cover, end 48,182	232871	1
LL	Belt, pump 9,23,48,182 900,901	230576 230972	1 1	C	Cam 48,182	232873	1
MM1	Pump, water - assembly 23	A-230767	1	D	Impeller 48,182	232874	1
MM2	Pump, water - assembly 48,182	A-232383	1	E	Gasket 48,182	232875	1
MM3	Pump, water - assembly (Discontinued--Not Available)(Not Shown) 900,901	A-230969	1	F	Shaft 48,182	232876	1
				G1	Seal, water pump 48,182	232877	1
				G2	Seal, water pump 48,182	232879	1

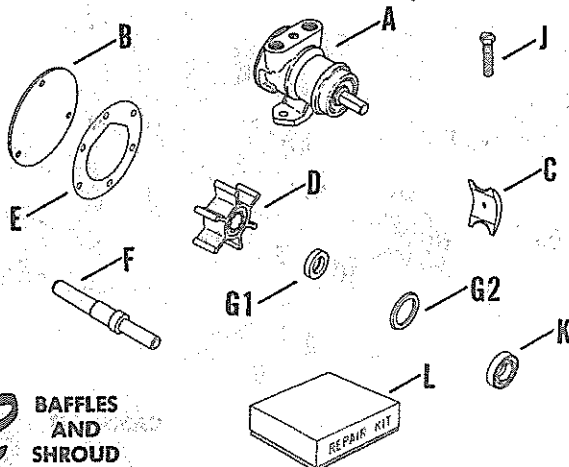


INDEX LTR.	DESCRIPTION VARIATION NUMBER	PART NUMBER	QTY.
A	Pump, water - assembly 23	A-230767	1
B	Impeller 23	230807	1
C	Bearing, ball 23	230844	1
D	Seal, oil 23	230845	1
E	Shaft, pump 23	230878	1

H	Seal, bearing 48,182	232880	1
H	Slinger (Not Shown) 48,182	232878	1
J	Screw, cam 48,182	232881	1
J	Screw, end cover 48,182	232883	1
K	Bearing, ball 48,182	232882	1
L	Kit, water pump repair (Includes D,E,G1 & J) 48,182	232885	1

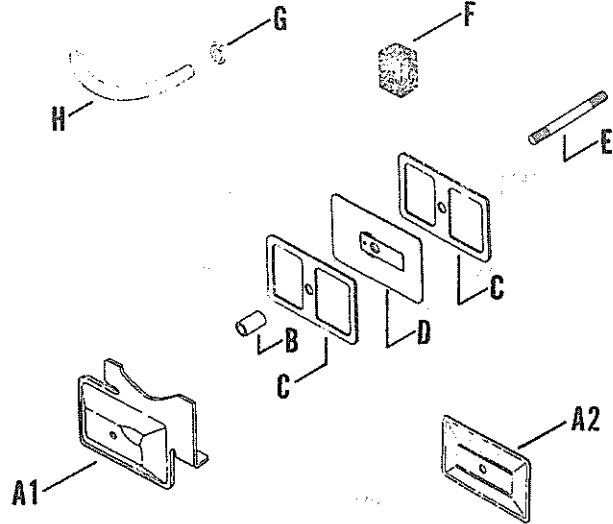


INDEX LTR.	DESCRIPTION VARIATION NUMBER	PART NUMBER	QTY.
A	Pump, water - assembly (Discontinued--Not Available)(Not Shown) 900,901	A-230969	1
B	Impeller 900,901	240149-1	1
C	Bearing, pump 900,901	240152	1
D	Hub, flange 900,901	240153	1
E	Ring, snap 900,901	240154	1
F	Seal, pump 900,901	240300	1
G	Hub, fan 900,901	153266	1



3 BREATHER AND VENT

CAMSHAFT AND VALVES 4



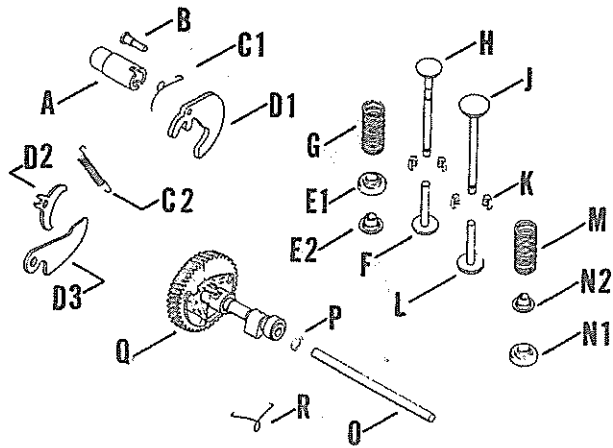
INDEX LTR.	DESCRIPTION VARIATION NUMBER	PART NUMBER	QTY.
Use stock of original part number before ordering replacement.			
A1	Cover, valve (Replaced by A-230774) 1,99	A-230418	1
	6	A-230611	1
	Cover, valve (Includes F) 2,3	A-234678	1
	Cover, valve 7	A-230996	1
A2	Cover, valve 4	A-230700	1
B	Seal, breather ALL	230046	1
C	Gasket, valve cover ALL	230048	2
D	Breather ALL	230066	1
E	Stud, valve cover ALL	230043	1
F	Filter ALL	231419	1
G	Clamp, hose (Replaced by X-426-3) 7	X-309-11	1
H	Hose 7	X-484-7	1

INDEX LTR.	DESCRIPTION VARIATION NUMBER	PART NUMBER	QTY.
------------	------------------------------	-------------	------

Use stock of original part number before ordering replacement.

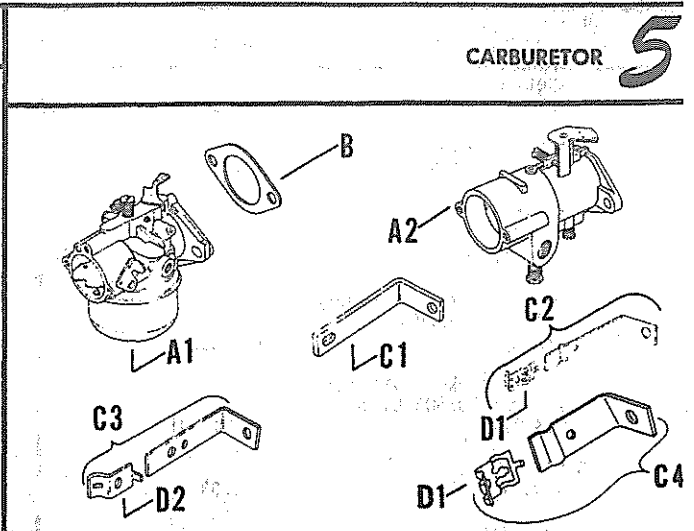
Parts identified by Index Letters A thru D3 were used on engines prior to spec suffix "J".

A	Cam, ignition (Magneto) or Cam, ignition (Battery)	230188 230690	1 1
B	Pin, flyweight	231730	2
C1	Spring, governor	275267	2
C2	Spring, spark advance	232661	1
D1	Flyweight, spark advance	230087	2
D2	Weight, stabilizing	232659	1
D3	Flyweight	232633	1
E1	Rotator, exhaust valve 5,6,21,23,24,44,48,52,53, 54,56,61,62,63,64,65	230020	1
E2	Retainer, exhaust valve spring 47,51,55,58,200	230011	1
F	Tappet, exhaust valve (ACR) (Use 230013 tappet on engines prior to spec suffix "J" without ACR camshaft) ALL	232777	1
G	Spring, exhaust valve 5,6,21,48,52,53,54,56,61, 64,65 23,24,44,62,63 47,51,55,58,200	230168 231635 230010	1 1 1



CAMSHAFT AND VALVES 4

INDEX LTR.	DESCRIPTION VARIATION NUMBER	PART NUMBER	QTY.
H	Valve, exhaust (Stellite) 5,6,21,23,24,44,48,52,53, 54,56,61,62,63,64,65	230027	1
	Valve, exhaust 47,51,55,58,200	230710	1
J	Valve, intake 5,23,47,48,51,52,55,56, 58,61,62,200	230008	1
	Valve, intake (Stellite) 6,21,24,44,53,54,63,64,65	230582	1
K	Keeper, valve ALL	240013	4
L	Tappet, intake valve ALL	230013	1



INDEX LTR.	DESCRIPTION VARIATION NUMBER	PART NUMBER	QTY.
M	Spring, intake valve 5,6,21,53,54,61,64,65	230168	1
	23,24,44,62,63	231635	1
	47,48,51,52,55,56,58,200	230010	1
N1	Rotator, intake valve 5,6,21,23,24,44,53,54,61, 62,63,64,65	230020	1
N2	Retainer, intake valve spring 47,48,51,52,55,56,58,200	230011	1
O	Pin, camshaft ALL	230053	1
P	Spacer, camshaft .005 ALL	230293	A.R.
	Spacer, camshaft .010 ALL	230294	A.R.
Q	Camshaft - kit (Metallic gear) 5,6,23,24,47,48,51,52,53,54, 61,64,200	A-230155-S	1
	Camshaft - kit (Non-metallic gear) 21,44,55,56,58,62,63,65	A-231511-S	1
R	Spring, actuating (Replaced by 47 089 01) ALL	232770	1

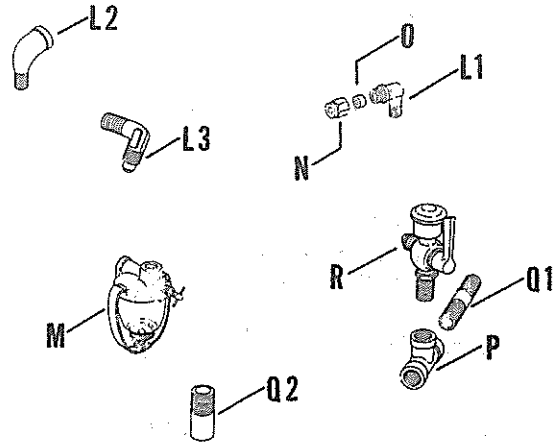
INDEX LTR.	DESCRIPTION VARIATION NUMBER	PART NUMBER	QTY.
Use stock of original part number before ordering replacement.			
A1*	Carburetor - assembly (Replaced by 41 053 13) 1,2,9,25,28,32,33,35,49, 52,53,54,56,57,65,79,91, 121,131,134,141,148,165, 183,600,816	G-230500	1
	Carburetor - assembly 5,120,167,175	B-231469	1
	7,151	F-230350	1
	10,20,22,41,42,802,803, 804,805	F-230501	1
	11,23,115,801,810,829	G-220517	1
	12,16,30,40,48,51,169, 813,815,819,832	F-230502	1
	24,34,68,814	E-231489	1
	27,44,59,69,74,808,811, 812,831	A-230798	1
	29,825	E-231488	1
	46	B-231231	1
	62	E-231480	1
	63,67,71,73	B-231450	1
	97	C-231738	1
	189	41 053 06	1
	197	41 053 14	1
A2	Carburetor - assembly 21,26,39,75,127,140,149, 150,154,160,800,806,807, 809,817,818,820,821,822	A-230694	1
A3	Carburetor - assembly (Not Shown) (Discontinued-- Not Available) 60	A-231448	1

Automatic Compression Release Camshafts

Parts "A" through "D3" are the only serviceable parts for the old style camshaft assemblies. If replacement of a complete camshaft is necessary, the Automatic Compression Release Camshaft Kit A-230155-S or A-231511-S should be used. These kits include exhaust valve tappet 232777 which must be used with ACR camshafts.

*REVIEW PARTS BULLETIN NO. 124 (DATED 4/83) BEFORE ORDERING THIS PART.

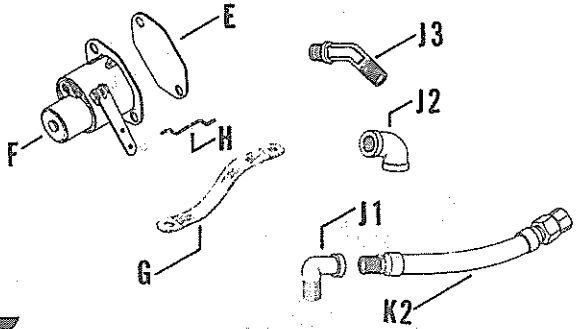
INDEX LTR.	DESCRIPTION VARIATION NUMBER	PART NUMBER	QTY.
B	Gasket, carburetor ALL	210223	A.R.
C1	Bracket, choke 52,53,54,63,91	231232	1
C2	Bracket, choke - assembly (Includes 235603 clip) 134,141,165	A-236918	1
C3	Bracket, choke - assembly (Includes 235778 clip) 148,183	A-236921	1
C4	Bracket, choke - assembly (Includes 235603 Clip) 189,197	41 217 01	1
D1	Clip, cable 134,141,165	235603	1
D2	Clip, cable 148	235778	1



CARBURETOR **5**

E	Gasket, choke 16,24,27,30,34,44,59,68,69,74,808,811,812,813,814,815,819,831,832	240285	1
F	Choke 16,24,27,34,44,68,69,74,808,811,813,814,819,831,832	230426	1
	30	230856	1
	59	231472	1
	812,815	235776	1
G	Lead, choke ground 24,27,34,44,68,74,808,811,812,814,831	A-230857	1
	69,831,832	221272	1
H	Linkage 12,16,24,27,30,34,44,48,59,68,69,74,169,808,811,812,813,814,815,819,831,832	230466	1
J1	Elbow 90° 5,20	X-211-10	1
	16,24,34,41,74	S-404	1
	127,140	X-211-6	1
	127,140	X-211-8	2

INDEX LTR.	DESCRIPTION VARIATION NUMBER	PART NUMBER	QTY.
	(J1-CONTINUED)		
	154	S-404	2
	Elbow, brass 3/8 x 90° (Use X-211-6 for 1/4 x 90°)		
	75	S-404	1
J2	Elbow 90° 21	X-215-5	1
J3	Elbow 45° 35,134	231668	1
K1	Hose 5/8 x 9 16	X-312-6	1
	Hose 1/2 x 6-3/8 21	X-422-5	1
	Hose 5/8 x 4 22,29,42,44,59,69,825	X-423-2	1
	Hose 5/8 x 3-1/2 23,811	X-423-1	1
	Hose 5/8 x 14 24,814	X-423-4	1
	Hose 1/2 x 5 75,150,800,809,818	X-422-4	1
	Hose 1/2 x 13 154,806	X-386-2	1
	Hose 5/8 x 11-1/4 805	X-423-15	1
K2	Hose, braided metallic 3/8 x 15-3/16 34	X-504-12	1
	Hose, braided metallic 3/8 x 12-3/16 41,74	241041	1
	Hose, braided metallic 3/8 x 9 127,160,821	275365	1
	Hose 3/8 x 9-7/16 140,807,820,822	230153	1

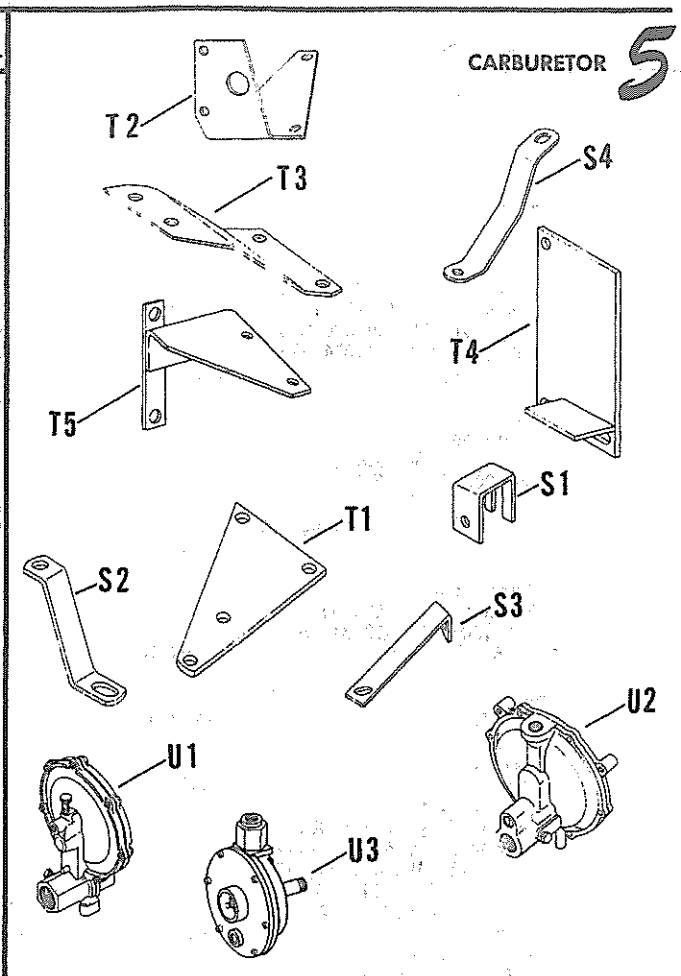


5 CARBURETOR

K161-L161

5
5

INDEX LTR.	DESCRIPTION VARIATION NUMBER	PART NUMBER	QTY.
L1	Elbow 90° 1,5,40,79	231510	1
L2	Elbow 45° 22,23,29,44,59,68,151	X-274-9	1
	46	X-274-4	1
	120,167	X-274-8	1
L3	Elbow 90° 48,121	X-447-10	1
M	Filter, fuel (Refer to Index Letter E1, Group 14 for assembly details) 20,32,71	A-210101	1
N	Nut 5,16,30,34,35,40,41,42,46, 49,59,69,74,134	220786	1
O	Sleeve 5,16,30,34,35,40,41,42,46, 49,59,69,74,134	220547	1
P	Tee, pipe 5,120,167	X-203-10	1
Q1	Nipple 1/8 x 3/4 5,120,167	X-217-11	1
	20,32,71	X-217-6	1
	Nipple 1/4 x 7/8 21	X-220-5	1
	Nipple 1/4 x 3 26	X-220-1	1
	Nipple 1/4 x 1-1/2 127,140	X-220-6	1
Q2	Nipple 3/8 x 1 16,22,23,24,29,44,59,68, 151	X-227-1	1
	Nipple 1/4 x 1 21,75	X-226-2	2
	154	X-226-3	2
R	Cup, fuel 5,120,167	X-376	1
S1	Brace, regulator 21,75,150,160,800,809, 818	230726	1
S2	Brace, regulator 22,23,29,41,44,59,74,154, 805,806,811,825	230731	1
S3	Brace, regulator 42	231189	1
S4	Brace, regulator 68,69	231486	1
T1	Bracket, regulator 16	230135	1
T2	Bracket, regulator 21,75,160,809,818	230728	1



CARBURETOR

INDEX LTR.	DESCRIPTION VARIATION NUMBER	PART NUMBER	QTY.
T3	Bracket, regulator 22,23,29,41,42,44,59, 68,69,74,154,805,806,811, 825	230730	1
T4	Bracket, regulator 24,127,140,151,807,814, 820,821,825	231471	1
T5	Bracket, regulator 150,800	234303	1
U1	Regulator, fuel (Discontinued--Not Available) 16	A-240492	1
U2	Regulator, fuel (Includes 151377 filter) 21,22,23,24,29,34,41,42, 44,59,69,74,75,127,140, 150,151,154,160,800,805, 806,807,809,811,814,818, 820,821,822,825	B-230695	1
U3	Regulator, fuel (Replaced by 46 403 02) 26,817	A-230925	1
V	Valve, needle 16,23,41,42,59,69	150305	1

5

K161-L161

INDEX LTR.	DESCRIPTION VARIATION NUMBER	PART NUMBER	QTY.
W	Body, valve 16,23,42,59,69	220482	1
	41,74	153796	1
X	Valve, 3-way 20	240780	1
Y	Filter, drain 21,22,23,24,29,34,41,42, 44,59,69,74,75,127,140, 150,151,154,160,800,805, 806,807,809,811,814,818, 820,821,822,825	151377	2
Z	Clamp, hose (Replaced by X-426-3) 16,22,23,24,29,42,44,59, 69,805,811,814,825	X-309-3	2
	21,75,150,154,800,806,809, 818	X-309-11	2

	Clamp, hose (Replaced by X-426-9) 801,805,811,812,813,814, 815,816,819,825	X-309-14	2
--	---	----------	---

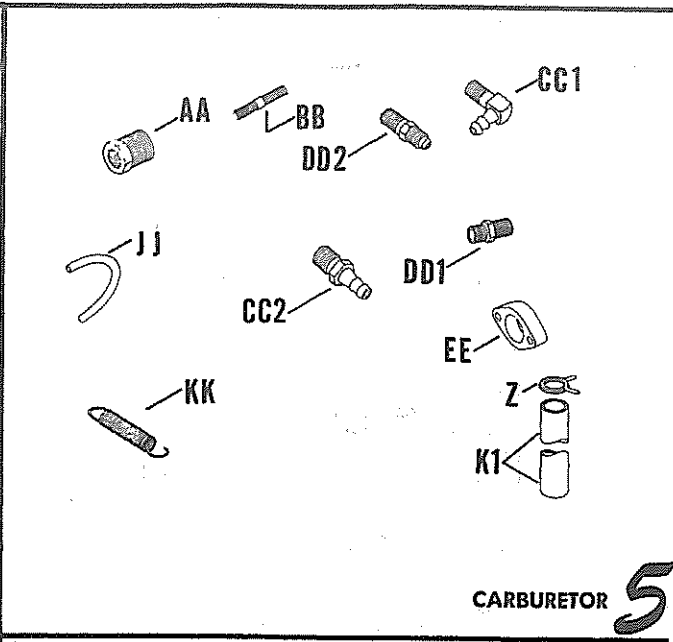
AA	Bushing, reducer 1/4 x 3/8 21,75	X-202-30	1
----	-------------------------------------	----------	---

BB	Stud, carburetor 39	220133	2
----	------------------------	--------	---

CC1	Connector, hose (Replaced by 25 155 02) 23,32,33,39,52,57,71,115, 120,141,148,183,189,197, 801,802,803,804,808,811, 812,813,814,815,816,819, 825	X-391-1	1
-----	--	---------	---

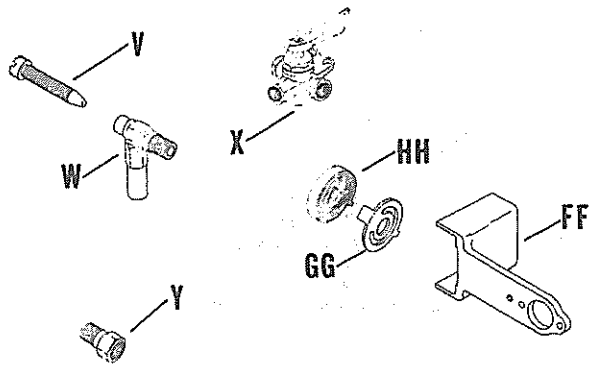
CC2	Connector, hose 25,56,91,165,167,175, 805,810	X-380-1	1
	51,54,73	X-495-1	1

DD1	Connector 2,7,10,11,12,16,22,24,27, 29,30,34,41,42,44,46,49, 59,62,63,67,68,69,74,151, 829,831	231509	1
-----	--	--------	---



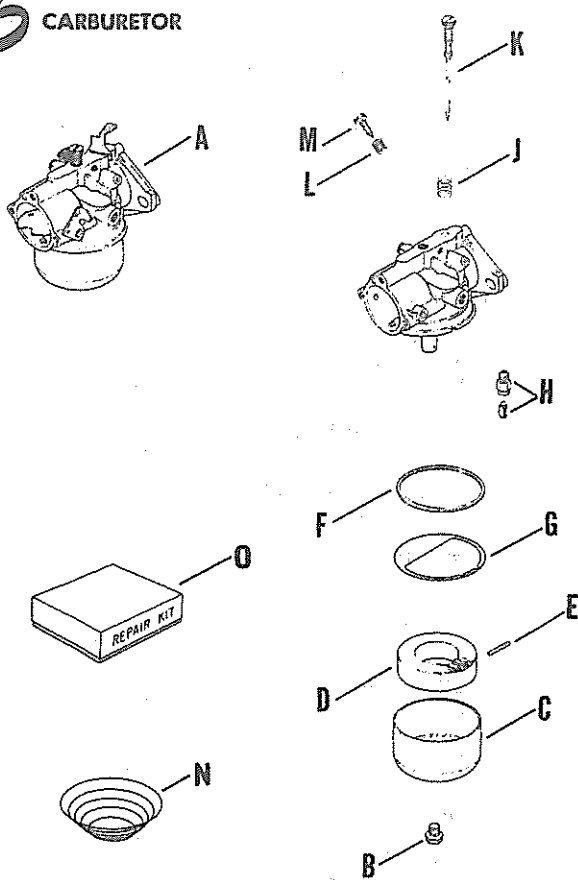
CARBURETOR 5

INDEX LTR.	DESCRIPTION VARIATION NUMBER	PART NUMBER	QTY.
DD2	Connector 28,131	X-296-1	1
EE	Adapter, flange 39	220783	1
FF	Housing, thermostat 7,10,20,22,41,42,151,802, 803,804,805	230242	1
GG	Bracket, adjusting 7,10,20,22,41,42,151,802, 803,804,805	230123	1
HH	Spring, thermostat (Replaced by 45 089 01) 7,10,20,22,41,42,151	210067	1
	Spring, thermostat 802,803,804,805	45 089 01	1
JJ	Line, fuel 801,802,803,804,808,811, 812,813,814,815,816,819, 825	X-697-6	1
KK	Spring, carburetor 829	152631	1



5 CARBURETOR

5 CARBURETOR



INDEX LTR.	DESCRIPTION VARIATION NUMBER	PART NUMBER	QTY.
------------	------------------------------	-------------	------

Use stock of original part number before ordering replacement.

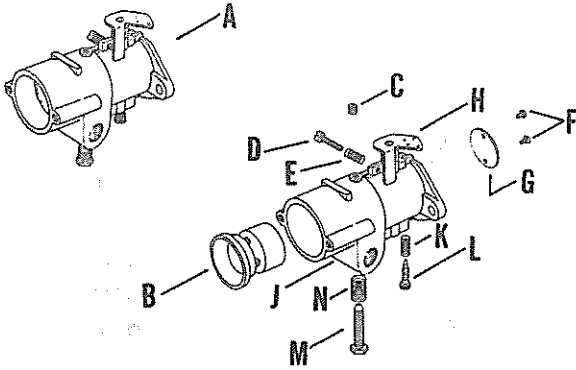
ALL includes variations 1, 2, 5, 7, 9, 10, 11, 12, 16, 20, 22, 23, 24, 25, 27, 28, 29, 30, 32, 33, 34, 35, 40, 41, 42, 44, 46, 48, 49, 51, 52, 53, 54, 56, 57, 59, 62, 63, 65, 67, 68, 69, 71, 73, 74, 79, 91, 97, 115, 120, 121, 131, 134, 141, 148, 151, 165, 167, 169, 175, 183, 197, 600, 801, 802, 803, 804, 805, 808, 810, 811, 812, 813, 814, 815, 816, 819, 825, 829, 831 and 832.

A *	Carburetor - assembly (Replaced by 41 053 13) 1, 2, 9, 25, 28, 32, 33, 35, 49, 52, 53, 54, 56, 57, 65, 79, 91, 121, 131, 134, 141, 148, 165, 183, 600, 816	G-230500	1
	Carburetor - assembly 5, 120, 167, 175	B-231469	1
	7, 151	F-230350	1
	10, 20, 22, 41, 42, 802, 803, 804, 805	F-230501	1
	11, 23, 115, 801, 810, 829	G-220517	1
	12, 16, 30, 40, 48, 51, 169, 813, 815, 819, 832	F-230502	1

INDEX LTR.	DESCRIPTION VARIATION NUMBER	PART NUMBER	QTY.
	(A-CONTINUED)		
	24, 34, 68, 814	B-231489	1
	27, 44, 59, 69, 74, 808, 811, 812, 831	A-230798	1
	29, 825	E-231488	1
	46	B-231231	1
	62	E-231480	1
	63, 67, 71, 73	B-231450	1
	97	C-231738	1
	189	41 053 06	1
	197	41 053 14	1
B	Screw, bowl retainer 63, 67, 71, 73	235447	1
	ALL (except 63, 67, 71, 73)	41 100 01	1
C	Bowl, fuel 5, 120, 167, 175	200435	1
	63, 67, 71, 73	235448	1
	ALL (except 5, 63, 67, 71, 73, 120, 167, 175)	200418	1
D	Float (Replaced by 25 757 03) ALL	200408	1
E	Pin, float hinge ALL	200376	1
F	Gasket, bowl ALL	200375	1
G	Gasket, anti-splash (Replaced by 25 041 02) ALL	200439	1
H	Needle and seat (Replaced by 231555) ALL	200443	1
J	Spring, main fuel adjusting needle ALL	200383	1
K	Needle, main fuel adjusting 63, 67, 71, 73	234200	1
	97	232635	1
	ALL (except 63, 67, 71, 73, 97)	200410	1
L	Spring, idle fuel adjusting needle ALL	200380	1
M	Needle, idle fuel adjusting 10, 20, 22, 41, 42, 802, 803, 804, 805	275231	1
	ALL (except 10, 20, 22, 41, 42, 802, 803, 804, 805)	200438	1
N	Spring, float 189, 197	237917	1
O	Repair, kit (Replaced by 25 757 01) (Includes bowl nut gasket, bowl ring gasket, float pin, bowl gasket & needle with seat & gasket) ALL	231555	1

*REVIEW PARTS BULLETIN NO. 124 (DATED 4/83) BEFORE ORDERING THIS PART.

5 CARBURETOR

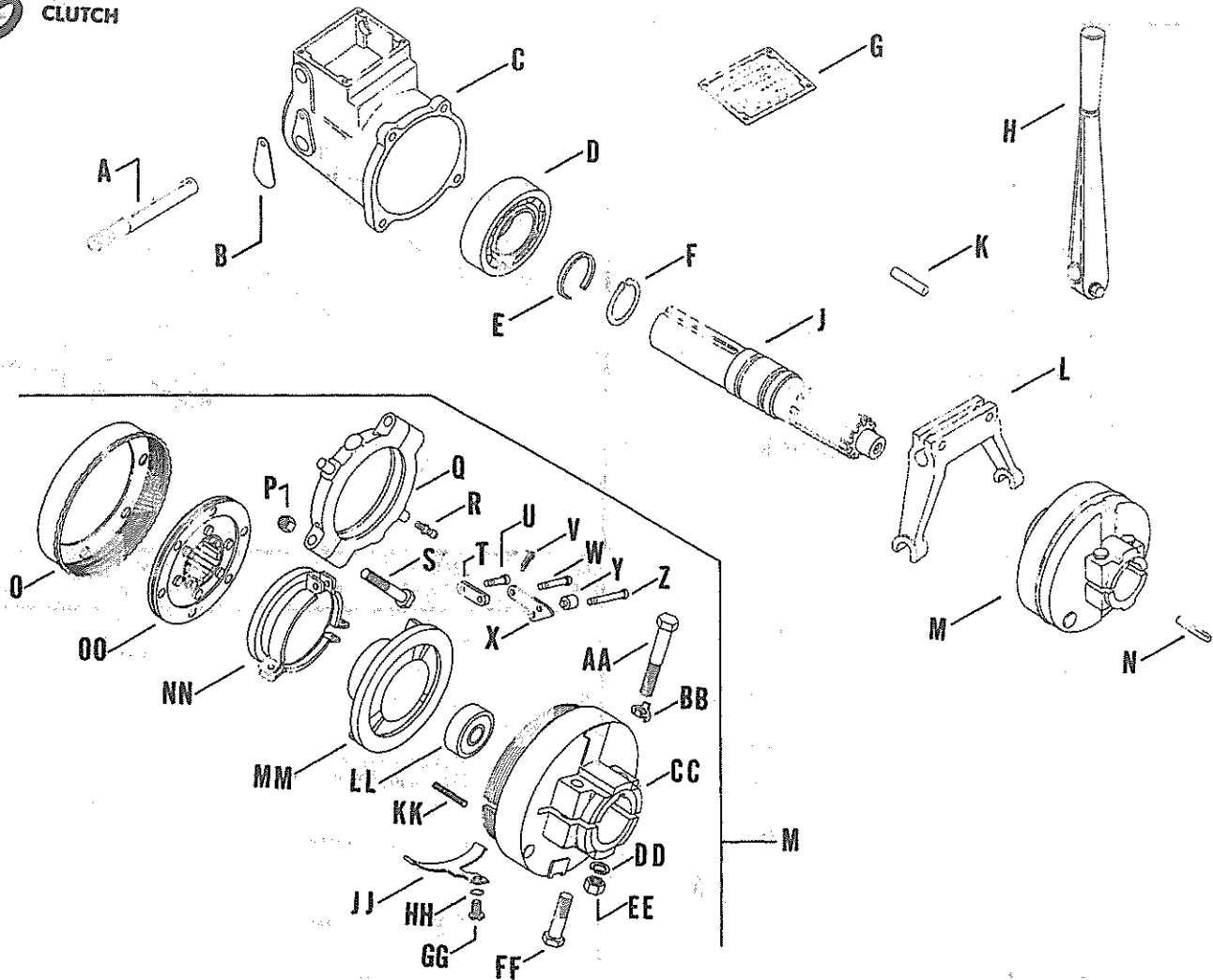


CLUTCH 6

INDEX LTR.	DESCRIPTION VARIATION NUMBER	PART NUMBER	QTY.
<p><i>ALL includes variations 21,26,39,75,127,140,149,150,154,160,800,806,807,809,817,818,820,821 and 822.</i></p>			
A	Carburetor - assembly 21,26,39,75,127,140,149, 150,154,160,800,806,807, 809,817,818,820,821,822	A-230694	1
B	Venturi ALL	234212	1
C	Screw, Venturi set ALL	234211	1
D	Screw, idle stop ALL	234210	1
E	Spring, idle stop ALL	234208	1
F	Screw, throttle plate (Discontinued--Not Available) ALL	234209	2
G	Plate (Discontinued--Not Available) ALL	234204	1
H	Shaft and lever (Discontinued--Not Available) ALL	234205	1
J	Body (Discontinued--Not Available) ALL	234203	1
K	Spring, idle screw ALL	234208	1
L	Screw, idle adjustment ALL	234206	1
M	Screw, load adjustment ALL	232694	1
N	Spring, load screw ALL	234207	1

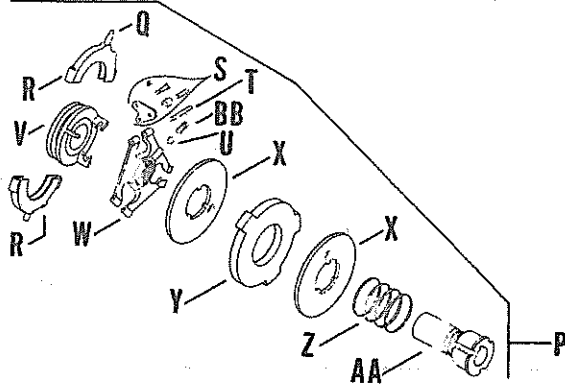
INDEX LTR.	DESCRIPTION VARIATION NUMBER	PART NUMBER	QTY.
A	Shaft, yoke 2	274117	1
B	Cover, grease 2	234024	1
C	Housing, clutch 2	234022	1
D	Bearing, ball 2	234030	1
E	Ring, retaining 2	230305	1
F	Ring, retaining 2-7/8 I.D. 2	X-269-18	1
G	Nameplate, housing 2	234023	1
H	Lever, shifting 2	A-234026	1
J	Shaft, power 2	275406	1
K	Pin, roll 2	X-280-9	2
L	Yoke, clutch 2	A-234027	1
M	Clutch - assembly (Includes 0 thru 00) 2	A-275412	1
N	Key, square 1/4 x 1 2	X-286-2	1
O	Ring, adjusting 2	234068	1
P	Nut, elastic stop 5/16 - 24 2	X-101-4	2
Q	Bearing, release 2	A-234066	1
R	Fitting, alemite 2	234067	1
S	Screw, hex. hd. 5/16 - 24 x 1-3/4 2	X-6-39	2
T	Link, connecting 2	234050	6
U	Pin, link (short) 2	234052	3
V	Pin, cotter 1/16 x 3/8 2	X-36-4	9
W	Pin, link (long) 2	234051	3
X	Lever, pressure plate 2	234063	6

6 CLUTCH



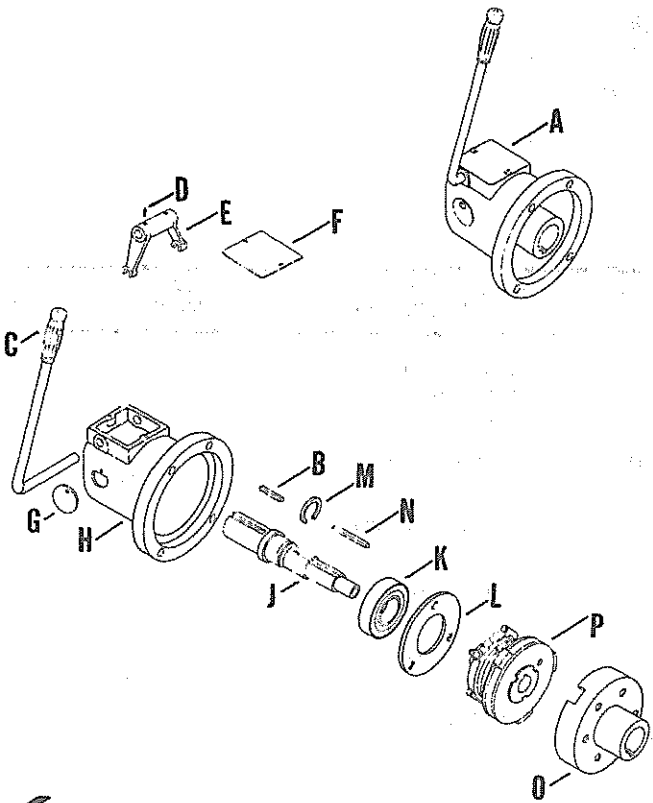
INDEX LTR.	DESCRIPTION	VARIATION NUMBER	PART NUMBER	QTY.	INDEX LTR.	DESCRIPTION	VARIATION NUMBER	PART NUMBER	QTY.
Y	Roller	2	234048	3	GG	Screw, fill. hd.			
Z	Pin, lever	2	234047	3				X-52-22	1
AA	Screw, hex. hd.	3/8 - 24 x 2-1/2	X-7-29	2	HH	Washer, split I.T.	1/4	X-22-11	1
BB	Lock, screw	2	234057	2	JJ	Lock, adjusting	2	234060	1
CC	Housing, clutch	2	A-234058	1	KK	Spring, return	2	234055	3
DD	Washer, split 5/16	2	X-21-1	1	LL	Bearing, pilot	2	212135	1
EE	Nut, elastic stop 3/8 - 24	2	X-101-5	2	MM	Plate, pressure	2	234096	1
FF	Screw, hex. hd.	5/16 - 18 x 1/2	234114	1	NN	Sleeve, release	2	234065	1
					OO	Member, driven	2	A-234061	1

INDEX LTR.	DESCRIPTION VARIATION NUMBER	PART NUMBER	QTY.
A	Clutch - assembly (Includes C thru P) 3	A-231508	1
B	Key, square #1 3	X-286-2	1
C	Lever, shift 3	234122	1
D	Pin, roll 3	X-280-14	2
E	Yoke, clutch 3	234123	1
F	Plate, instruction 3	234117	1
G	Cover 3	234088	1
H	Housing, PTO 3	234126	1
J	Shaft, drive 3	234118	1
K	Bearing 3	234119	1
L	Retainer, bearing 3	234121	1
M	Ring, snap 3	234120	1



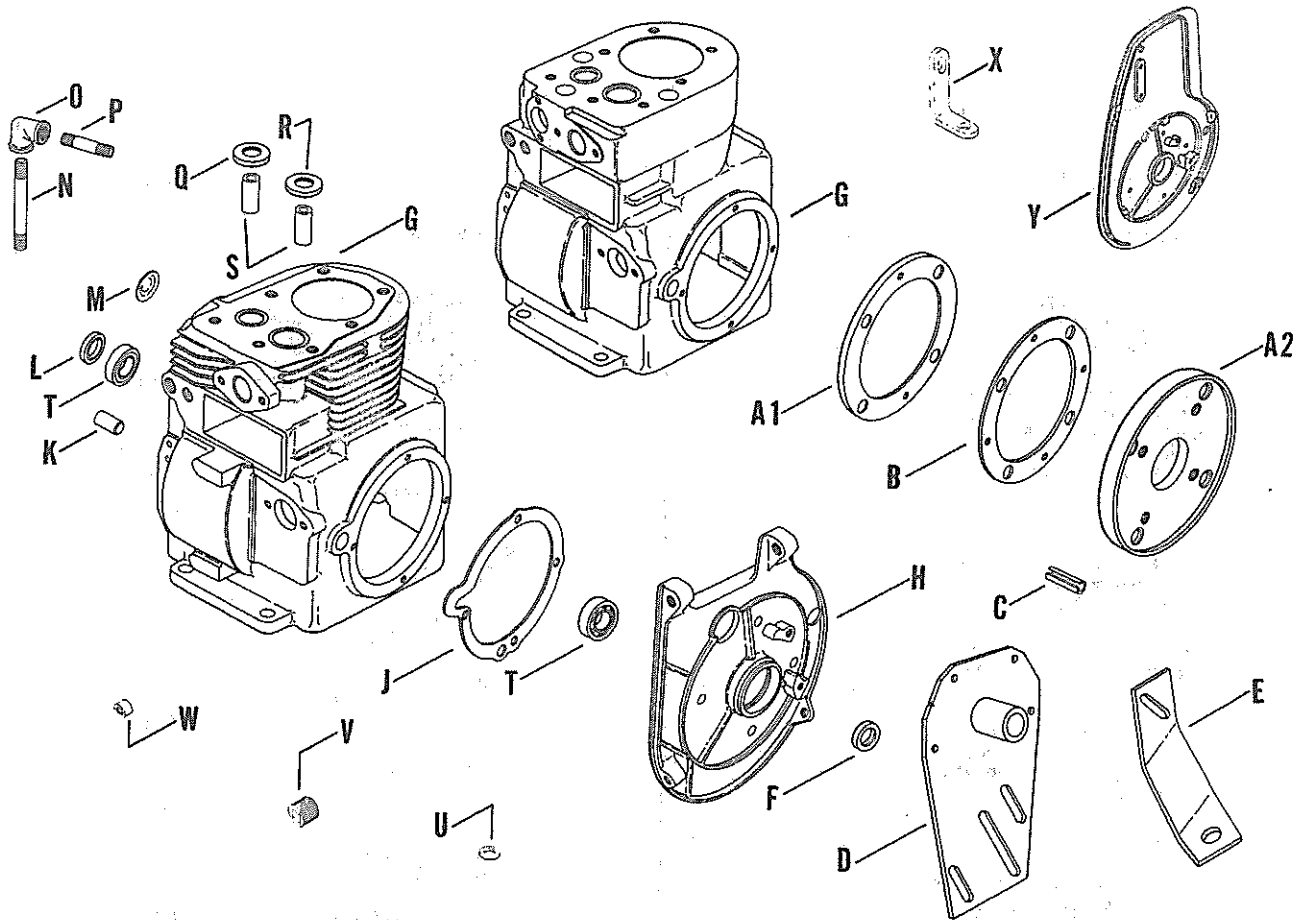
CLUTCH

INDEX LTR.	DESCRIPTION VARIATION NUMBER	PART NUMBER	QTY.
N	Key 3	231845	1
O	Cup, drive 3	234141	1
P	Clutch - assembly (Includes Q thru BB) 3	A-234124	1
Q	Fitting, alemite 3	234127	1
R	Bearing, release 3	234116	1
S	Lever, clutch 3	234128	6
T	Pin, adjusting spider 3	234134	3
U	Plug, lock 3	234136	1
V	Sleeve, release 3	234125	1
W	Spider, adjusting 3	234133	1
X	Plate, clutch 3	234137	2
Y	Plate, drive 3	234139	1
Z	Spring, separating 3	234138	1
AA	Body, clutch 3	234140	1
BB	Screw, adjustment lock 3	234135	1



6 CLUTCH

7 CRANKCASE



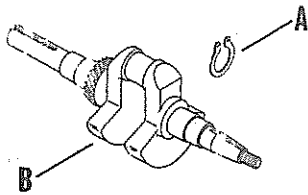
INDEX LTR.	DESCRIPTION VARIATION NUMBER	PART NUMBER	QTY.	INDEX LTR.	DESCRIPTION VARIATION NUMBER	PART NUMBER	QTY.
<div style="border: 1px solid black; padding: 5px;"> Use stock of original part number before ordering replacement. </div>				F	Seal, front oil ALL (except 17,37,39,73,142,163,166,192,226,230)	X-583-1	1
<div style="border: 1px solid black; padding: 5px;"> Specifications prior to 281162 have a bore size of 2-7/8". Bore size is now 2-15/16" which is the K181 bore size. The K161 now uses the same bearing plate and cylinder blocks as the K181. </div>					17,37,39,73,142,163,166,192,226,230	X-271-27	1
A1	Plate, mounting (Discontinued--Not Available) 33,126	230431	1	G	Cylinder Block <i>Service with a Short Block or Miniblock. Refer to K161 Selection Guide TP-2061-A.</i>		
A2	Plate, mounting 73,142,166,209,220,230	230983	1	H	Plate, bearing 12,15,17,20,25,26,27,28,29,33,37,38,40,50,56,57,73,75,82,89,115,999	230062	1
B	Gasket, mounting plate 33,126	230432	1		48	230907	1
C	Pin, roll 33,126	270020	2		92	A-231660	1
D	Bracket, recoil starter 115,225	231850	1		Plate, bearing (Used on engines with 2-7/8 bore) (Discontinued--Not Available) 23,31,35,39,51,69	230251	1
E	Brace, starter bracket 115,225	232817	1				

(H-CONTINUED NEXT PAGE)

K161-L161

INDEX LTR.	DESCRIPTION VARIATION NUMBER	PART NUMBER	QTY.	INDEX LTR.	DESCRIPTION VARIATION NUMBER	PART NUMBER	QTY.
(H-CONTINUED)				M	Plug, expansion ALL	X-230-11	1
	Plate, bearing (Used on engines with 2-7/8 bore) 79	231353	1	N	Nipple 1/8 x 2-1/2 50	167196	1
	Plate, bearing (Use 230062 prior to engine spec suffix "F") 103,106,107,116,124,125,126,132,133,134,140,141,142,171,172,173,174,189,199,209	231654	1	O	Elbow 1/8 50	D-220	1
	Plate, bearing (Used on engines with 2-7/8 bore) (Replaced by 231654) 163,166,192	231984	1	P	Nipple 1/8 x 1-1/2 50	X-217-2	1
	Plate, bearing (Used on engines with 2-15/16 bore) (Replaced by 41 156 02) 194,210,211,212,216,219,220,224,225,226,227,229,230	41 156 01	1	Q	Insert, exhaust seat ALL	230170	1
	Plate, bearing (Used on engines with 2-15/16 bore) (Replaced by 41 156 03) 215,223,233,236	234594	1	R	Insert, intake seat 10,12,13,15,17,37,38,40,48,50,64,65,66,73,85,116,133,134,136,137,138,144,163,166,173,229,998	230265	1
	Plate, bearing (Used on engines with 2-15/16 bore) 241,998	41 156 02	1	S	Guide, valve ALL	230007-S	2
J	Gasket, bearing plate ALL (except 27,33,56,73,107,126,142,166,189,209,216,226,230,236) 209	230071 230071	1 A.R.	T	Bearing, ball ALL	231625	A.R.
	Gasket, bearing plate shim 27,33,56,73,107,126,142,166,189,216,226,230,236	230112	A.R.	U	Washer 171,172,173,174	231258	2
K	Shaft, governor ALL	230125-S	1	V	Plug, pipe 219,220,227,233,236,241	X-75-3	1
L	Seal, rear oil ALL (except 17,33,37,39,73,126,142,163,166,192,226,230) 17,37,39,73,142,163,166,192,226,230 33,126	X-583-2 X-271-26 X-271-22	1 1 2	W	Bearing (Replaced by 234866) ALL	X-293-4	1
				X	Brace, closure plate 64,65,66,85,136,137,138,144	230824	1
				Y	Plate, closure 64,65,85 136,137,138,144	231152 231881	1 1

8 CRANKSHAFT



INDEX LTR.	DESCRIPTION VARIATION NUMBER	PART NUMBER	QTY.
------------	------------------------------	-------------	------

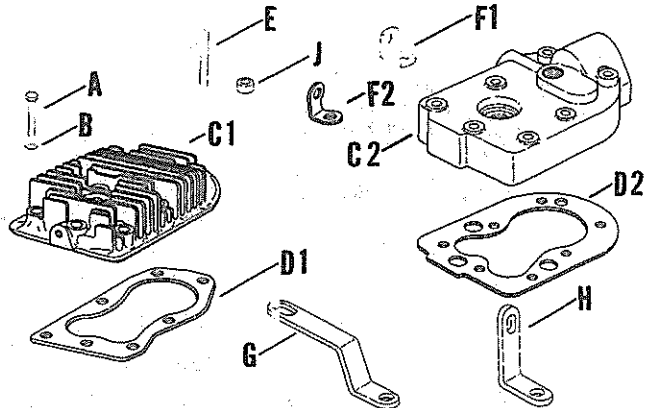
For description of crankshaft power take-off end, refer to ENS-708-A crankshaft publication.

A	Ring, retaining 59/64 I.D. 9	X-269-25	1
	Ring, retaining 3/16 I.D. 999	X-269-13	1
B	Crankshaft 1,84,999	230395 (1)	1
		234028	1
		230388 (3)	1
		230394 (4)	1
		230301	1
	6,10	230450 (2)	1
	9,53	230353	1
	12	230527	1
	15	231473	1
	18,19	230387 (5)	1
	20	230654	1
	22,40,55	230818	1
	24	230778	1
	32	230982	1
	36	231123	1
	37	231138	1
	41	231193	1
	42,49	231351	1
	47	231332	1
	48	231339	1
	52	231418	1
	56	231470	1
	57	231661	1
	58	231476	1
	61	231540	1
	62	231561	1

INDEX LTR.	DESCRIPTION VARIATION NUMBER	PART NUMBER	QTY.
(B-CONTINUED)	114	A-234558	1
	118	234656	1
	119	234815	1
	123	41 014 03	1
	Crankshaft (Discontinued-- Not Available)		
	14	230541	1
	28	230835	1
	51	231403	1
	85	231867	1

- (1) Standard
- (2) Standard - tapped
- (3) Gear Reduction
- (4) Pump
- (5) Generator Set

9 CYLINDER HEAD



INDEX LTR.	DESCRIPTION VARIATION NUMBER	PART NUMBER	QTY.
------------	------------------------------	-------------	------

Use stock of original part number before ordering replacement.

A	Screw, hex. hd. 5/16 - 18 x 1-5/8		
	1,11,20,36,37,38,57,71	230992	1
	33	230992	6
	53	230992	4
	Screw, hex. hd. 5/16 - 18 x 1-1/2		
	1,18,20,22,37,66	230175	6
	3,4,7,15,70,399	230175	7
	5,12,17,29,31,36	230175	5
	11,28,38,52	230175	4
	13,27,47,51,56,57,71	230175	3

(A-CONTINUED NEXT PAGE)

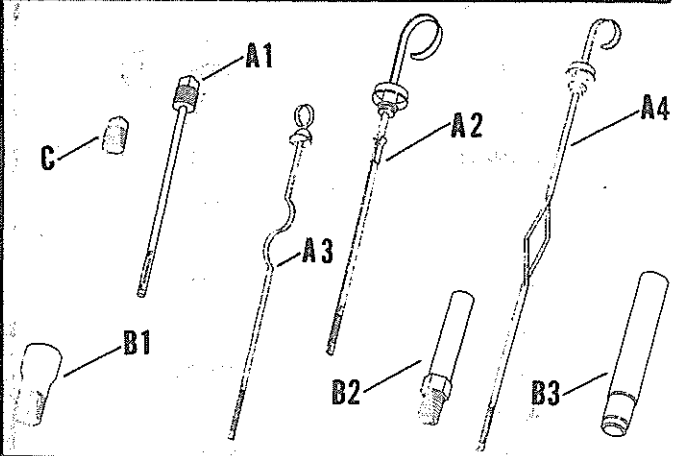
9.10

K161-L161

INDEX LTR.	DESCRIPTION VARIATION NUMBER	PART NUMBER	QTY.
(A-CONTINUED)			
	14	230175	2
	33,63	230175	1
	Screw, hex. hd. 5/16 - 18 x 2-1/4 6,10	230578	2
	13	230578	1
	Screw, hex. hd. 5/16 - 18 x 2 6,10	230577	5
B	Washer 5/16 1,3,4,6,15,20,33,37,38, 47,52,56,57,63,66,70,71	220534	7
	5,11,12,17,31,51	220534	9
	7	220534	5
	10	220534	6
	13,28,29,53	220534	10
	14	220534	12
	18,22,36	220534	8
	27	220534	11
	399	220269	7
C1	Head, cylinder (if compression release is desired, order kit no. A-230155-S) 1,5,7,14,15,18,22,27,28, 29,31,47,51,52,56,57,70, 399	230402	1
	Head, cylinder 3,33,53	230403	1
	12,20,37,38	A-231413	1
	13	230990	1
	17	231200	1
	63,66,71	41 015 04	1
	Head, cylinder (Includes Helicoil insert) 4,11,36	A-230770	1
C2	Head, cylinder 6,10	230451	1
D1	Gasket, head 1,3,4,5,7,11,12,13,14,15, 17,18,20,22,27,28,29,31, 33,36,37,38,47,51,52,53, 56,57,63,66,70,71	41 041 05	1
D2	Gasket, head 6,10	230452	1
E	Stud 5,11,13,27,38	220304	2
	12,17,27,29,31	232810	2
	13,18,36,56	232810	1
	14	232810	5

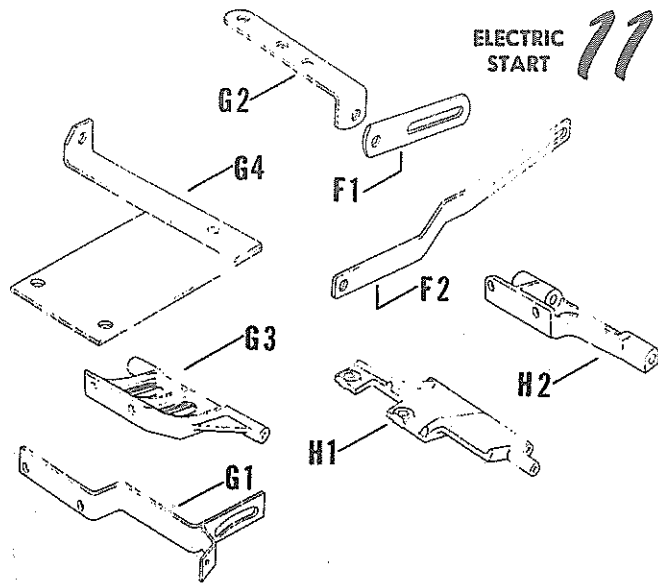
INDEX LTR.	DESCRIPTION VARIATION NUMBER	PART NUMBER	QTY.
(E-CONTINUED)			
	22	220304	1
	28,52,53,56,57,71	220304	3
	47	220304	4
	51	232810	4
	56	232810	1
	63	232810	6
	66	X-352-35	1
F1	Strap, lifting 13,14,36	235748	1
F2	Strap, lifting 63,66,71	232867	1
G	Bracket, handle 7	234017	2
H	Brace 37,399	230339	1
J	Spacer 47,51	234847	2
	52,57, 71	234847	3
	56	234847	4
	63	234847	6
	66	234847	1

DIPSTICK 10



INDEX LTR.	DESCRIPTION VARIATION NUMBER	PART NUMBER	QTY.
A1	Dipstick 6-9/16" blade 1,299	A-230092	1
	Dipstick 2-9/64" blade 5	A-231271	1
	Dipstick 7" blade 35	41 038 05	1
A2	Dipstick 8-11/32" blade 2	A-231495	1
A3	Dipstick 3	A-230888	1

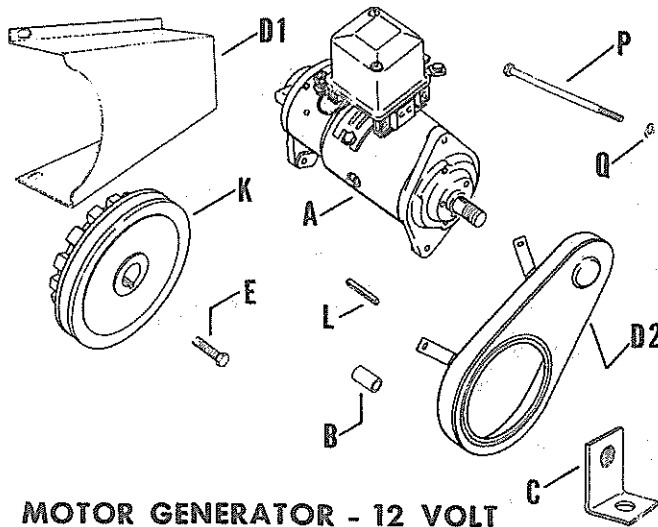
INDEX LTR.	DESCRIPTION VARIATION NUMBER	PART NUMBER	QTY.
A4	Dipstick 12" blade 4	A-231496	1
	Dipstick 11-5/8" blade 8	A-231725	1
	Dipstick 16-31/32" blade 17	A-232805	1
B1	Tube, oil fill 1-7/8" 2	221264	1
	Tube, oil fill 5-5/8" 4	234975	1
	Tube, oil fill 10-9/16" 17	234977	1
B2	Tube, oil fill 3	A-230689	1
B3	Tube, oil fill 4-9/16" 8	231726	1
C	Plug, pipe 1/2 7	X-75-5	1



ELECTRIC START 11

MOTOR GENERATOR - 12 VOLT

11 ELECTRIC START



MOTOR GENERATOR - 12 VOLT

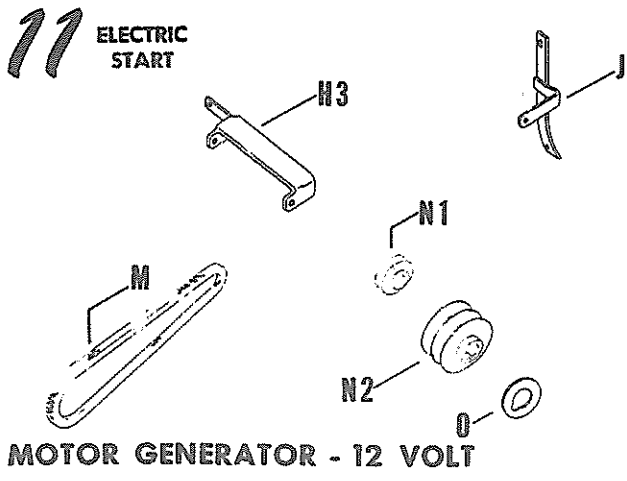
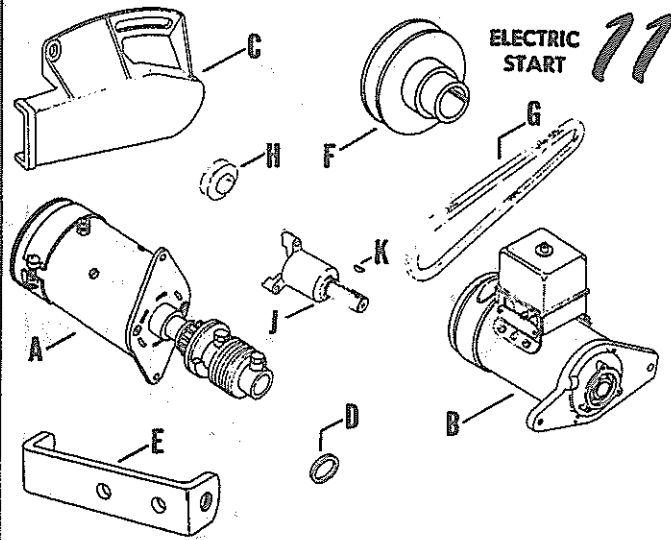
INDEX LTR.	DESCRIPTION VARIATION NUMBER	PART NUMBER	QTY.
A	Starter - generator - assem. (Includes regulator) 6,14,31,32,38,43,44,49,50,55,60,77,126	B-230715	1
	Starter - generator - assem. (Without regulator) 7,16,34,37,65	B-220586	1
	15,28,29,33,46,47,53,73,76,80	B-230922	1
	41,63,107	C-231262	1
	57	B-275847	1
	112	D-231262	1

INDEX LTR.	DESCRIPTION VARIATION NUMBER	PART NUMBER	QTY.
B	Spacer 50	265861	1
C	Bracket, belt guard 60,76,126	232731	1
D1	Guard, belt 6,7	230719	1
	14	230898	1
	31,34	231163	1
D2	Guard, belt 60,65,76,126	231858	1
	73	231831	1
	77	231835	1
E	Screw, hex. hd. 5/16 - 18 x 1-3/4 47	230406	1
	Screw, hex. hd. 5/16 - 18 x 1-1/2 47	231676	1
	Screw, hex. hd. 3/8 - 16 x 1 50	270956	2
F1	Bracket, starter adjusting 15,16,28,29,35,37,38,44,46,47,50,52,55,77 49,57 73	230914 231442 231828	1 1 1
F2	Bracket, starter adjusting 41,63,107,112,124	231273	1
G1	Bracket, starter 6,7,14,31,32,33,34 43,53,60,65,126 76,80	230717 231861 231233	1 1 1

11

K161-L161

INDEX LTR.	DESCRIPTION VARIATION NUMBER	PART NUMBER	QTY.	INDEX LTR.	DESCRIPTION VARIATION NUMBER	PART NUMBER	QTY.
G2	Bracket, starter 15,16,28,29,35,37,38,44, 46,49,55,57,74,77	230915	1	N1	Pulley, drive 6,7,14,15	230729	1
	52	232705	1		16,28,37	275669	1
	73	231829	1		41,43,44,46,47,49,50,53, 57,60,63,65,73,76,77,80, 107,126	231278	1
G3	Bracket, starter 41,63,107,112,124	231341	1		112	235583	1
G4	Bracket, starter 50	232763	1	N2	Pulley, drive 29,31,32,33,34,38,55	231143	1
H1	Bracket, starter lower 6,7,14,31,32,33,34,43,53, 60,65,76,80,126	231860	1	O	Shim .005 29,38,50,55,57,63,73, 77,112	231149	A.R.
H2	Bracket, starter lower 15,16,28,29,35,37,38,52, 55	231148-S	1		Shim .010 29,38,50,55,57,63,73,77, 112	231150	A.R.
	44,46,49,50,77	234301	1		41,44,46,47,49,53,60, 107,126	236397	A.R.
	57	231385-S	1	P	Bolt, thru 35,38	X-130-2	1
	73	234307	1		57	X-130-3	1
H3	Bracket, starter lower 47	231892	1	Q	Washer 5/16 38,55	220534	1
J	Support, belt adjusting 47	231607	1				
K	Pulley, rear driven 41	231263	1				
	63,107,112,124,699	231591	1				
L	Key, square 41	X-286-12	1				
	63,107,112,124,699	242168	1				
M	Belt 6,7,14,15	230721	1				
	16,28	231147	1				
	29,31,32,33,34,37,38,55	270415	1				
	41,43,44,46,53,60,63,65, 73,76,77,80,107,112,126	231605	1				
	47,49,50,57	231446	1				



DISCONTINUED-PARTS SHOWN
ABOVE ARE NOT AVAILABLE
STARTER & GENERATOR - 6 VOLT

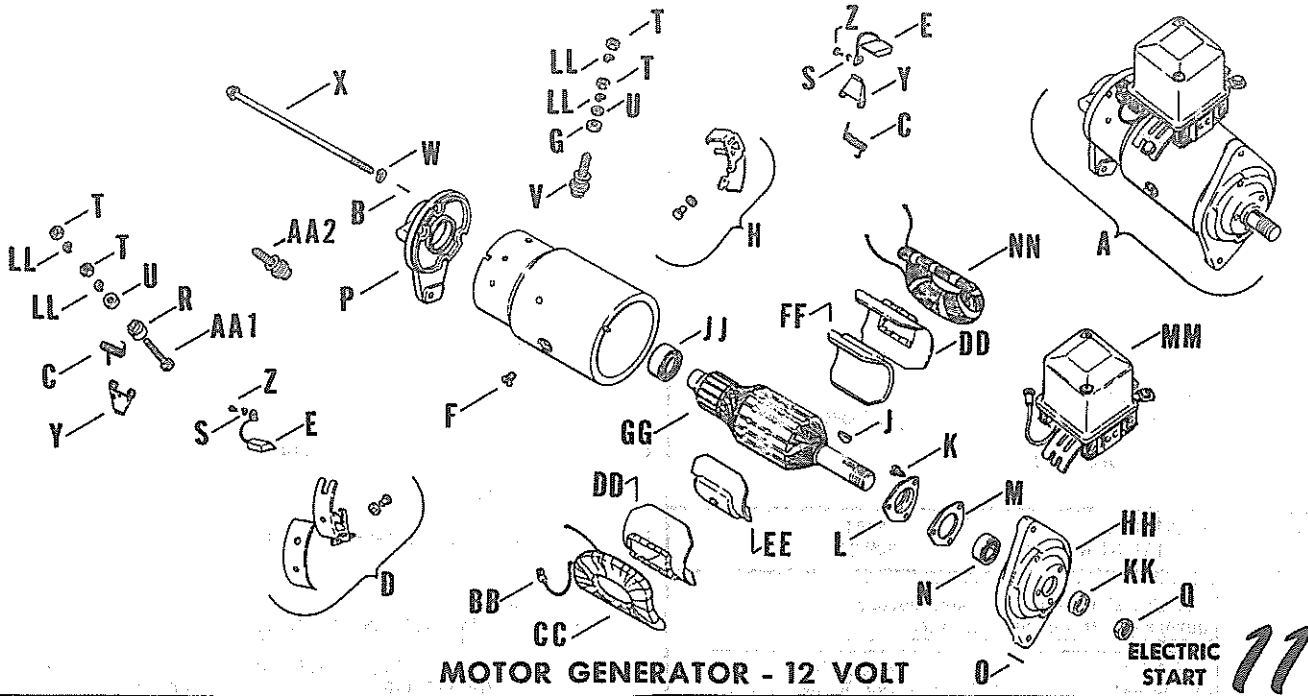
INDEX LTR.	DESCRIPTION VARIATION NUMBER	PART NUMBER	QTY.
A	Starter 1,3	A-230268	1
	4	A-230544	1
B	Generator, battery charging 1	A-230267	1
	4	A-230543	1
C	Guard, belt 1,4	230262	1

INDEX LTR.	DESCRIPTION VARIATION NUMBER	PART NUMBER	QTY.	INDEX LTR.	DESCRIPTION VARIATION NUMBER	PART NUMBER	QTY.
D	Shim, pulley 1,4	230376	A.R.	M	Gasket, bearing retainer ALL	231312	1
E	Support, generator 1,4	230256	1	N	Bearing D.E. ALL	270311	1
F	Pulley, generator 1,4	230343	1	O	Pin, dowel D.E. ALL	275994	1
G	Belt 1,4	230271	1	P	Frame C.E. ALL	230812	1
H	Pulley, drive 1,4	230342	1	Q	Nut, shaft D.E. ALL (except 41,63,107)	271267	1
J	Shaft, front pulley 1,4	230340	1		41,63,107	271267	2
K	Key, woodruff #2 1,4	X-42-3	1	R	Bushing, insulated terminal "A" ALL	232861	1
				S	Washer, split-brush lead ALL	X-18-1	2
				T	Nut, terminal 6,14,15,28,29,31,32,33,38, 41,43,44,46,47,49,50,53, 55,57,60,63,73,76,77,80, 107,112,126	X-81-7	4
					7,16,34,37,65	X-81-7	2
				U	Washer, flat - terminal 6,14,15,28,29,31,32,33,38, 43,44,46,47,49,50,53,55, 60,73,76,77,80,126	272319	2
A	Starter-generator - assem. (Includes regulator) 6,14,31,32,38,43,44,49, 50,55,60,77,126	B-230715	1		7,16,34,37,57,65,112	272319	1
	Starter-generator - assem. (Without regulator) 7,16,34,37,65	B-220586	1		41,63,107	275986	2
	15,28,29,33,46,47,53,73, 76,80	B-230922	1	V	Stud, terminal "F" ALL (except 7,16,34,37,65)	232862	1
	41,63,107	C-231262	1	W	Washer, split - thru bolt ALL	272330	2
	57	B-275847	1	X	Bolt, thru 6,14,31,32,38,43,44,49, 50,55,60,77,126	272329	2
	112	D-231262	1		7,15,16,28,29,33,34,37, 46,47,53,65,73,76,80	272329	1
B	Pin, dowel C.E. ALL	275993	1	Y	Arm, brush 6,14,15,28,29,31,32,33,38, 41,43,44,46,47,49,50,53, 55,57,60,63,73,76,77,80, 107,112,126	272325	2
C	Spring, brush ALL	285652	2		7,16,34,37,65	272325	1
D	Holder, insulated brush ALL	231307	1	Z	Screw, brush lead 6,7,14,15,16,28,29,31,32, 33,34,37,38,43,44,46,47, 49,50,53,55,60,65,73,76, 77,80,126	X-49-25	2
E	Brush ALL	275741	2		41,57,63,107,112	X-49-1	2
F	Screw, pole shoe ALL	275984	2	AA1	Stud, terminal "A" 6,7,14,16,31,32,34,37,38, 43,44,49,50,55,57,60,65, 77,126	275972	1
G	Washer, insulated - terminal ALL	275985	1				
H	Holder, ground brush ALL	231306	1				
J	Key, woodruff ALL	X-43-3	1				
K	Screw, bearing retainer ALL	275981	3				
L	Plate, retainer D.E. ALL	275976	1				

Use stock of original part number before ordering replacement.

ALL includes variations 6,7,14,15,16,28,29,31,32,33,34,37,38,41,43,44,46,47,49,50,53,55,57,60,63,65,73,76,77,80,107,112 and 126.

(AA1-CONTINUED NEXT PAGE)

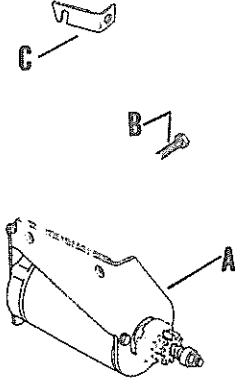


MOTOR GENERATOR - 12 VOLT

ELECTRIC START

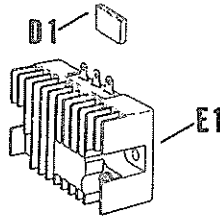
INDEX LTR.	DESCRIPTION VARIATION NUMBER	PART NUMBER	QTY.	INDEX LTR.	DESCRIPTION VARIATION NUMBER	PART NUMBER	QTY.
(AA1-CONTINUED)	15,28,29,33,46,47,53,73,76,80	275972	4	(FF-CONTINUED)	Shoe, pole	272317	1
AA2	Stud, terminal "A" 41,63,107,112	232862	1		7,16,34,37,65	272317	1
BB	Clip, terminal to brush ALL (except 7,16,34,37,65,112)	275987	1	GG	41,57,63,107,112	275969	1
CC	Coil, field - L.H. 6,14,15,28,29,31,32,33,38,43,44,46,47,49,50,53,55,60,73,76,77,80,126	234416	1		Armature 6,7,14,15,16,28,29,31,32,33,34,37,38,43,44,46,47,49,50,53,55,60,65,73,76,77,80,126	230809	1
	41,63,107,112	231309	1		41,57,63,107,112	A-275738	1
	57	275740	1	HH	Frame D.E. ALL (except 41,63,107,112)	275924	1
	Coil, field 7,16,34,37,65	230811	1		41,63,107,112	234419	1
DD	Insulator, field coil 6,7,14,15,16,28,29,31,32,33,34,37,38,43,44,46,47,49,50,53,55,60,65,73,76,77,80,126	234288	1	JJ	Bearing, ball C.E. ALL	230813	1
	41,57,63,107,112	231794	2	KK	Collar, space D.E. 6,14,31,32,38,43,44,49,50,55,60,77,126	275988	1
EE	Shoe, pole plain 6,14,15,28,29,31,32,33,38,43,44,46,47,49,50,53,55,60,73,76,77,80,126	275016	1		7,15,16,28,29,33,34,37,41,46,47,53,63,65,73,76,80,107	275017	1
	Shoe, pole 7,16,34,37,65	272317	1		57,112	234418	1
	Shoe, pole (Replaced by 275969) 41,57,63,107,112	275970	1	LL	Washer, split - terminal stud ALL (except 7,16,34,37,65)	272320	4
FF	Shoe, pole notched 6,14,15,28,29,31,32,33,38,43,44,46,47,49,50,53,55,60,73,76,77,80,126	272317	1	MM	Regulator (Replaced by 275746) 6,14,31,32,38,43,44,49,50,55,60,77,126	A-275746	1
				NN	Coil, field - R.H. 6,14,15,28,29,31,32,33,38,43,44,46,47,49,50,53,55,60,73,76,77,80,126	230810	1
					41,63,107,112	231308	1
					57	275739	1

11 ELECTRIC START

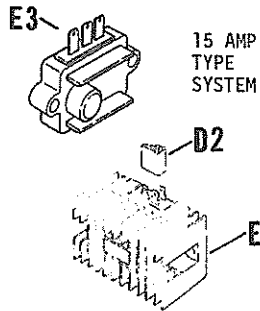


BENDIX DRIVE

10 AMP TYPE SYSTEM



NOTE TERMINAL ARRANGEMENT



15 AMP TYPE SYSTEM

INDEX LTR.	DESCRIPTION VARIATION NUMBER	PART NUMBER	QTY.
------------	------------------------------	-------------	------

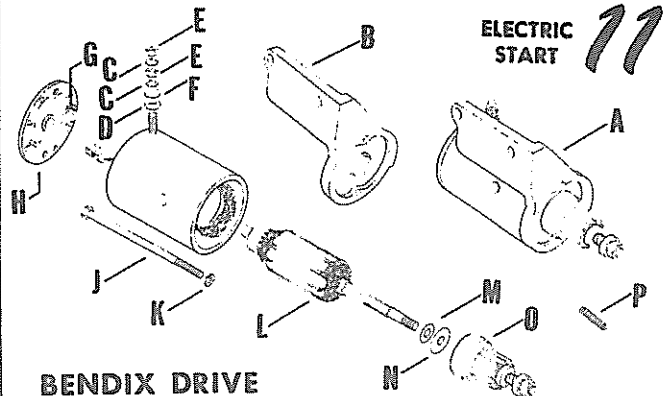
Use stock of original part number before ordering replacement.

A	Starter - assembly (SMH12A1) (Replaced by 41 098 01--05996-29-M030SM) (Use A-232981-S [SME12A12] prior to engine serial no. E-222999) (Use 41 098 01 [05996-29-M030SM] after serial no. 3371912) 121,122,128,701,702,703, 704	B-234193	1
B	Screw, hex. hd. 3/8 - 16 x 1 121,128,701,703	234379	2
	Screw, hex. hd. 3/8 - 16 x 1-3/32 122,702	234947	2
C	Brace, tail 121,128,701,703	234803	1
D1	Connector 121,128,701,704	236602	1
D2	Connector 702,703	237429	1
E1	Rectifier-regulator 10 amp. 121,128,701	234279	1
E2	Rectifier-regulator 15 amp. 702,703	237335	1
E3	Rectifier-regulator 15 amp. 704	41 403 05	1

INDEX LTR.	DESCRIPTION VARIATION NUMBER	PART NUMBER	QTY.
------------	------------------------------	-------------	------

Use stock of original part number before ordering replacement.

A	Kit, starter (SME12A12) (Includes B thru P) (Use B-234193 [SMH12A1] after engine serial no. E-222998) (Use 41 098 01 [05996-29-M030SM] after engine serial no. 3371912) 121,122,128,701,702,703	A-232981-S	1
B	Plate D.E. 121,122,128,701,702,703	234961	1
C	Washer (Replaced by 237761) 121,122,128,701,702,703	236594	2
D	Washer, insulator (Replaced by 237761) 121,122,128,701,702,703	236572	1
E	Nut, terminal lead (Replaced by 237761) 121,122,128,701,702,703	236575	2
F	Washer, spacing (Replaced by 237761) 121,122,128,701,702,703	236573	1
G	Brush and spring 121,122,128,701,702,703	236576	1
H	Cap - assembly C.E. 121,122,128,701,702,703	236567	1
J	Bolt, thru 121,122,128,701,702,703	236577	2
K	Washer - thru bolt 121,122,128,701,702,703	236574	2
L	Armature 121,122,128,701,702,703	236571	1
M	Washer, spacer .005 121,122,128,701,702,703	236570	1
N	Washer, spacer .010 121,122,128,701,702,703	236568	A.R.
O	Drive - assembly (Includes P) 121,122,128,701,702,703	236565	1
P	Spring, drive 121,122,128,701,702,703	237121	1



BENDIX DRIVE

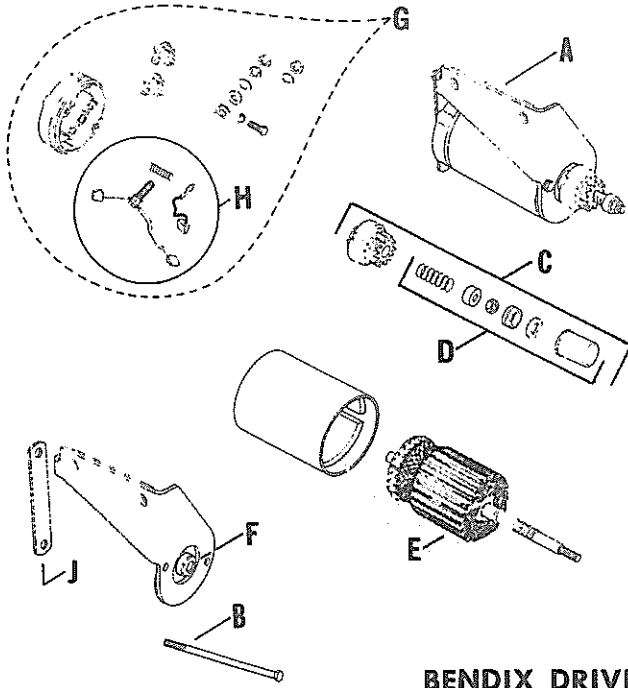
ELECTRIC START 11

11

K161-L161

11

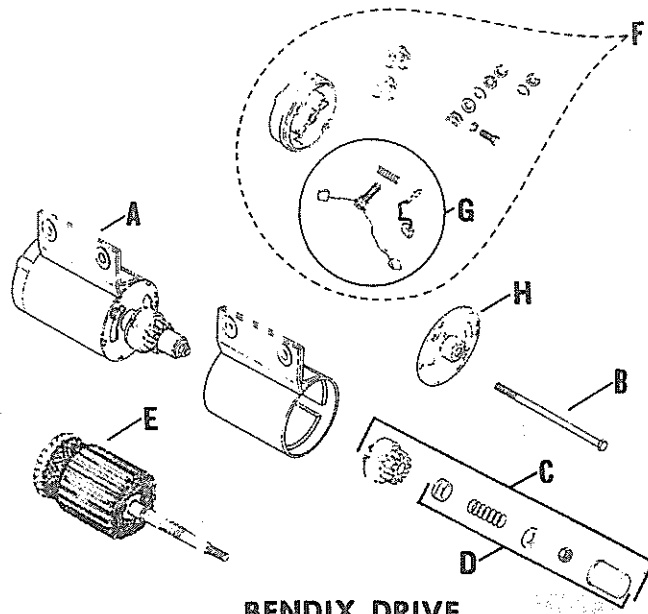
ELECTRIC START



BENDIX DRIVE

ELECTRIC START

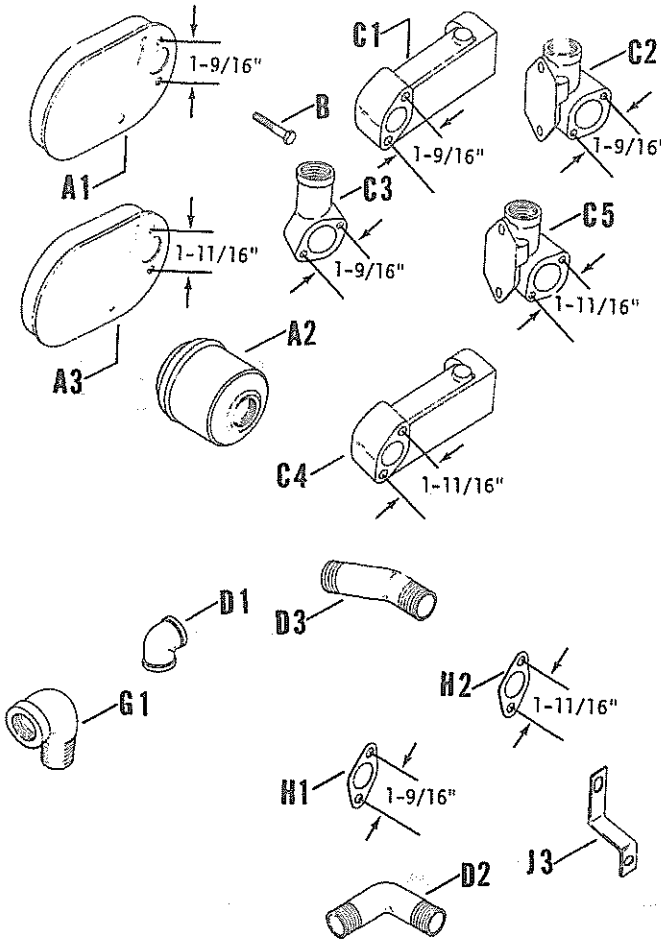
11



BENDIX DRIVE

INDEX LTR.	DESCRIPTION VARIATION NUMBER	PART NUMBER	QTY.	INDEX LTR.	DESCRIPTION VARIATION NUMBER	PART NUMBER	QTY.
	Use stock of original part number before ordering replacement						
A	Starter - assembly (SMH12A1) (Includes B thru P) (Replaced by 41 098 01 [05996-29-M030SM] (Use A-232981-S [SME12A12] prior to engine serial no. E-222999)(Use 41 098 01 [05996-29-M030SM] after engine serial no. 3371912) 121,122,128,701,702,703	B-234193	1	A	Starter - assembly (05996-29-M030SM) (Includes B thru P) (Use B-234193 [SMH12A1] after engine serial no. E-222998) (Use A-232981-S [SME12A12] prior to engine serial no. E-222999) 121,122,128,701,702,703, 704	41 098 01	1
B	Bolt, thru 121,122,128,701,702,703	237358	2	B	Bolt, thru 121,122,128,701,702,703, 704	237649	2
C	Kit, drive 121,122,128,701,702,703	41 755 04	1	C	Kit, drive 121,122,128,701,702,703, 704	41 755 04	1
D	Kit, drive parts 121,122,127,701,702,703	47 755 13	1	D	Kit, drive parts 121,122,128,701,702,703, 704	47 755 13	1
E	Armature 121,122,127,701,702,703	47 170 01	1	E	Armature 121,122,128,701,702,703, 704	47 170 01	1
F	Bearing, end cap 121,122,127,701,702,703	41 030 01	1	F	Kit, commutator cap 121,122,128,701,702,703, 704	48 227 04	1
G	Kit, commutator cap 121,122,127,701,702,703	48 227 04	1	G	Kit, brush & spring 121,122,128,701,702,703, 704	48 755 15	1
H	Kit, brush & spring 121,122,127,701,702,703	48 755 15	1	H	Cap, drive end 121,122,128,701,702,703, 704	237650	1
J	Bracket, support C.E. (Discontinued--Not Available) 121,122,127,701,702,703	237365	1				

12 EXHAUST



INDEX LTR.	DESCRIPTION VARIATION NUMBER	PART NUMBER	QTY.
------------	------------------------------	-------------	------

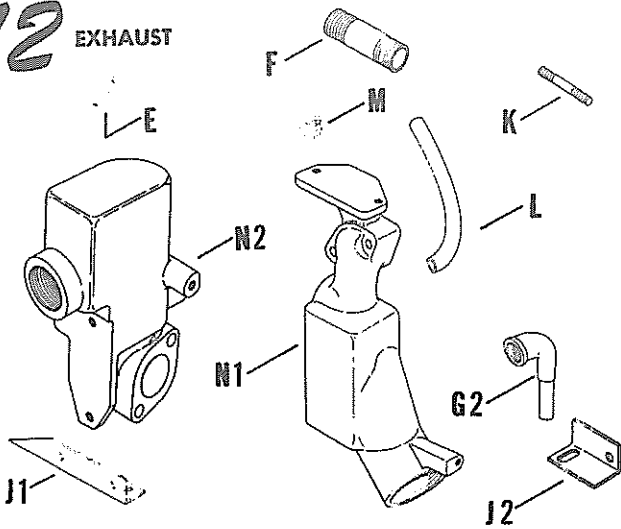
Use stock of original part number before ordering replacement.

Specifications prior to 281162 with exhaust studs have spacing of 1-9/16" between stud hole center lines.

A1	Muffler	A-230943	1		
	1,45				
	2			A-230946	1
	7			A-230948	1
	46			A-232571	1
A2	Muffler	A-230145	1		
	600				
A3	Muffler	230505	1		
	4,53,317				
	5,6,8,17,28,29,30,38,40,42,48,50,303,304,305,308,310,311,314,315,316			230410	1
	Muffler			41 068 01	1
	59				
B	Screw, hex. hd.	230578	2		
	5/16 - 18 x 2-1/4				
	23,69				
C1	Screw, hex. hd.	230175	2		
	5/16 - 18 x 1-1/2				
C2	Elbow, exhaust	230951	1		
	(Replaced by Kit 238069)				
C3	Elbow, exhaust	231089	1		
	(Replaced by Kit 238069)				
C4	Elbow, exhaust	41 029 01	1		
	18				
C5	Elbow, exhaust	41 029 02	1		
	10,11,30,40,303,304,314,316,317				
D1	Elbow, exhaust 1 x 45°	EH-2231	1		
	(Replaced by X-225-9)				
D2	Elbow, exhaust 1 x 90°	231820	1		
	42				
D3	Elbow, exhaust 1 x 25°	235194	1		
	48,50,68				
E	Nut, lock #1	AC-1536	1		
F	Nipple 1 x 1-1/2	X-218-24	1		
	4,6,8,17,29,30,53				
	Nipple 1 x 2	K-122	1		
	5				

(F-CONTINUED NEXT PAGE)

12 EXHAUST

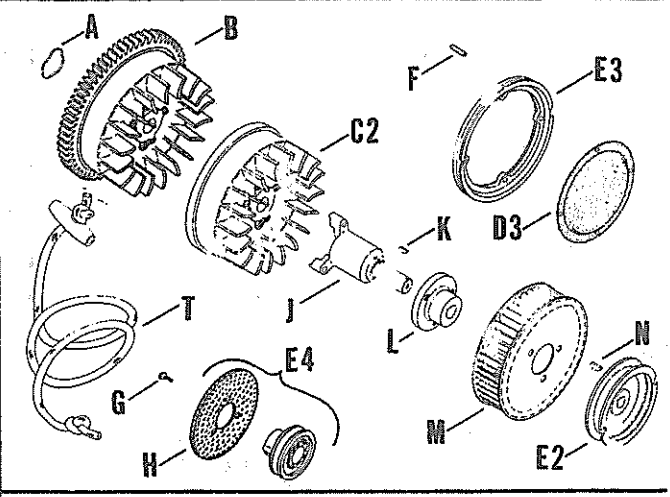


INDEX LTR.	DESCRIPTION VARIATION NUMBER	PART NUMBER	QTY.
(K-CONTINUED)			
	Stud 5/16 - 18 x 2-1/2 22	220304	2
	Stud 1/4 - 20 x 1-7/8 600	220133	2
L	Hose 5/8 x 8-1/2 22,23,69	X-571-2	1
M	Clamp, hose 22,23,69	X-426-3	2
N1	Manifold, water cooled 22	231160	1
N2	Manifold, water cooled 23,69	231198	1

FLYWHEEL 13

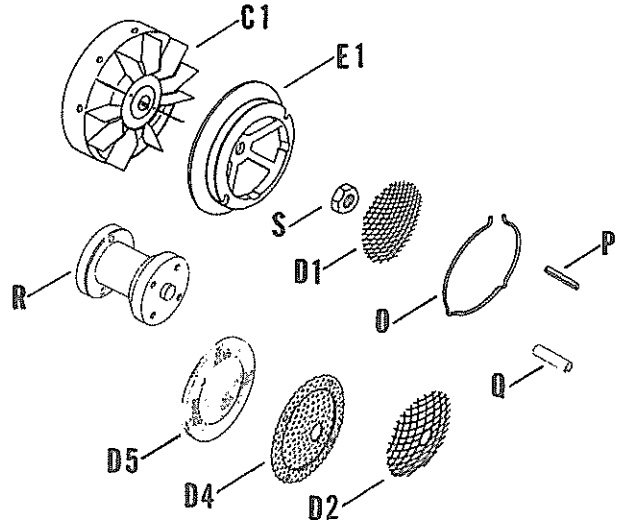
INDEX LTR.	DESCRIPTION VARIATION NUMBER	PART NUMBER	QTY.
------------	------------------------------	-------------	------

(F-CONTINUED)			
	Nipple 1 x 3 (Replaced by X-218-22) 17,28	S-518	1
	Nipple 1 x 2-1/2 38	X-218-23	1
	Nipple 1 x 3 40	X-218-22	1
G1	Elbow, street 1 x 90° 4,8,30	230600	1
	Elbow, street 1 x 45° 29,53	231441	1
G2	Elbow, special street 22	231162	1
H1	Gasket 1,2,3,6,7,10,11,17,18,22, 23,28,30,38,40,45,46,48,69, 303,304,305,314,315,316,317	231090	1
	600	230122	1
H2	Gasket 59,61,62,66,68,301,302, 307,308,310,311	41 041 01	1
J1	Brace, manifold 22	231161	1
J2	Brace, manifold 23,69	231197	1
J3	Brace 28,48,68	231358	1
K	Stud 5/16 - 18 x 2 1,2,3,6,10,11,15,17,18, 28,30,38,40,48,66,68, 301,302,303,304,305,307, 308,310,311,314,315,316, 317	230909	2
	7,46	230909	1
	Stud 5/16 - 18 x 2-1/8 7,46	230910	1



INDEX LTR.	DESCRIPTION VARIATION NUMBER	PART NUMBER	QTY.
Use stock of original part number before ordering replacement.			
A	Washer, tension 1,5,6,7,8,9,11,17,25,28, 29,30,31,32,33,35,36,37, 38,39,41,51,53,54,57,64, 77,78,80,81,98,115,124, 999	230148	1
B	Flywheel - assembly (Straight fins) 2,4,16	A-230754	1
	Flywheel - assembly 9	230656	1
	Flywheel - assembly (Includes magnet) (Discontinued--Not Available) 101	A-234598	1
	Flywheel - assembly (Includes magnet) 110	A-234287	1
	131	A-234807	1
	141	41 025 17	1

INDEX LTR.	DESCRIPTION VARIATION NUMBER	PART NUMBER	QTY.	INDEX LTR.	DESCRIPTION VARIATION NUMBER	PART NUMBER	QTY.	
C1	Flywheel			D2	Screen, grass			
	1,5,6,17,32,999	230713	1	2		230344	1	
	8,29,41,52	230581	1	6		230306	1	
	11	230354	1	D3	Screen, grass			
	18	230753	1		30,137		231142	1
	30,31,39,46	231140	1		Screen, grass (Use 231142 prior to engine serial no. 661889)			
	33,37,51,76	231276	1		39,57,101,110,115	231523	1	
	34	231222	1	D4	Screen, grass (Use 231398 prior to engine serial no. 661889)			
	35,42,117	231208	1		42,58		231524	1
	38	231328	1	D5	Screen, grass			
	80	232506	1		131		234392	1
	81	232540	1	E1	Pulley, rope start (Replaced by 41 093 02) (Use 231330 on engine spec suffix "F")			
	98	232697	1		1,2,5,6,11,16,18,25,27, 29,38,53,78,128,999		230150	1
	124	234740	1		Pulley, rope start			
	Flywheel (Use 231637 on engine spec suffix "F"; use 230713 prior to engine spec suffix "F")				4		230530	1
	53,54	231638	1		Pulley (Discontinued--Not Available)			
	Flywheel (Use 231140 prior to engine spec suffix "F")				26		230991	1
	57,77	231637	1		98		230239	1
	Flywheel (Replaced by 231664)				E2	Pulley, rope start		
	58,115	A-231664	1			7,81		230462
Flywheel (Use 230581 prior to engine spec suffix "F")					8,64,135	230498	1	
64	231773	1			28	230976	1	
Flywheel (Use 231328 prior to engine spec suffix "F") (Discontinued--Not Available)								
78	231983	1						
C2	Flywheel							
	7,25,28	230464	1					
	36	231206	1					
	69	234877	1					
	137,140	A-234527	1					
	Flywheel (Discontinued--Not Available)							
	26,27	230937	1					
	Flywheel (Includes magnet) (Use 41 025 11 after engine serial no. 6366215)							
	128,129	41 025 01	1					
	Flywheel (Includes magnet)							
133	41 025 05	1						
135	41 025 02	1						
D1	Screen, grass							
	(Use 231523 on engine spec suffix "F")							
	1,11,16,25,29,38,53,78, 98,128,999	230098	1					

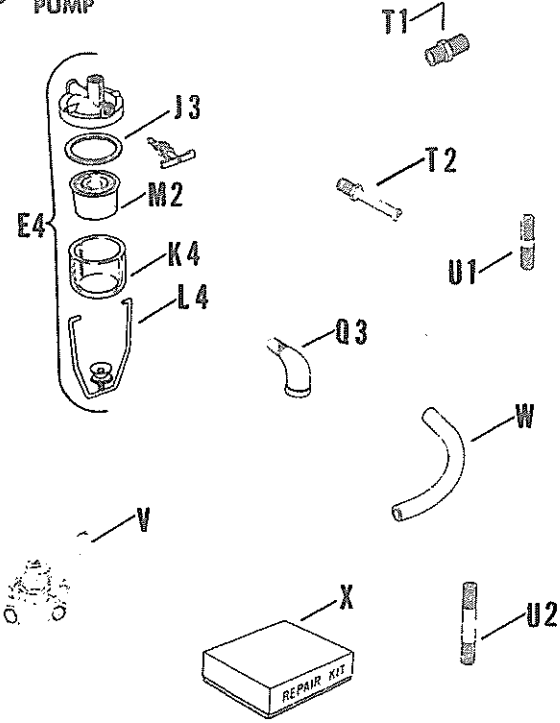


FLYWHEEL 13

INDEX LTR.	DESCRIPTION VARIATION NUMBER	PART NUMBER	QTY.	INDEX LTR.	DESCRIPTION VARIATION NUMBER	PART NUMBER	QTY.
C1	Pump, fuel (with hand lever) 2,3,4,6,7,8,9,11,12,13, 14,15,16,18,22,25,28,40, 44,45,58,601,602,603,604, 605	C-230361	1	K2	Bowl, filter 7	232970	1
C2	Pump, fuel (vacuum) 23,24,34	8-231390	1	K3	Bowl, filter 8,11	270691	1
C3	Pump, fuel 30,39,47,59	A-231796	1	K4	Bowl, filter 45	220879	1
C3	Pump, fuel (Includes gasket) 65	41 559 01	1	L1	Bail 2,3,6,9,12,13,14,15,18, 25,30,40,47,300,601,602, 603,604,605	A-210477	1
D	Spacer, fuel pump 34	232515	1	L2	Bail 7	232968	1
E1	Filter, fuel - assembly (Includes F1,G1,H1,J1,K1 & L1) 2,3,6,9,12,13,14,15,18, 25,30,40,47,300,601,602, 603,604,605	A-210101	1	L3	Bail 8,11	270784	1
E2	Filter, fuel - assembly (Includes F2,G2,H2,J1,K2 & L2) 7	A-230528	1	L4	Bail 45	221138	1
E3	Filter, fuel - assembly (Includes F3,J2,K3,L3,M1 & N) 8,11	A-201073	1	M1	Element, ceramic 8,11	270782	1
E4	Filter, fuel - assembly (Includes J3,K4,L4 & M2) 45	A-220805	1	M2	Element, strainer 45	220880	1
F1	Top, filter 2,3,6,9,12,13,14,15,18, 25,30,40,47,300,601,602, 603,604,605	210478	1	N	Spring, filter retaining 8,11	270783	1
F2	Top, filter 7	232963	1				
F3	Top, filter 8,11	270785	1				
G1	Valve, needle 2,3,6,9,12,13,14,15,18, 25,30,40,47,300,601,602, 603,604,605	A-210480	1				
G2	Valve, needle 7	232967	1				
H1	Screen 2,3,6,9,12,13,14,15,18, 25,30,40,47,300,601,602, 603,604,605	210479	1				
H2	Screen 7	232964	1				
J1	Gasket, bowl 2,3,6,7,9,12,13,14,15,18, 25,30,40,47,300,601,602, 603,604,605	210468	1				
J2	Gasket, bowl 8,11	270690	1				
J3	Gasket, bowl 45	220881	1				
K1	Bowl, filter 2,3,6,9,12,13,14,15,18, 25,30,40,47,300,601,602, 603,604,605	210467	1				

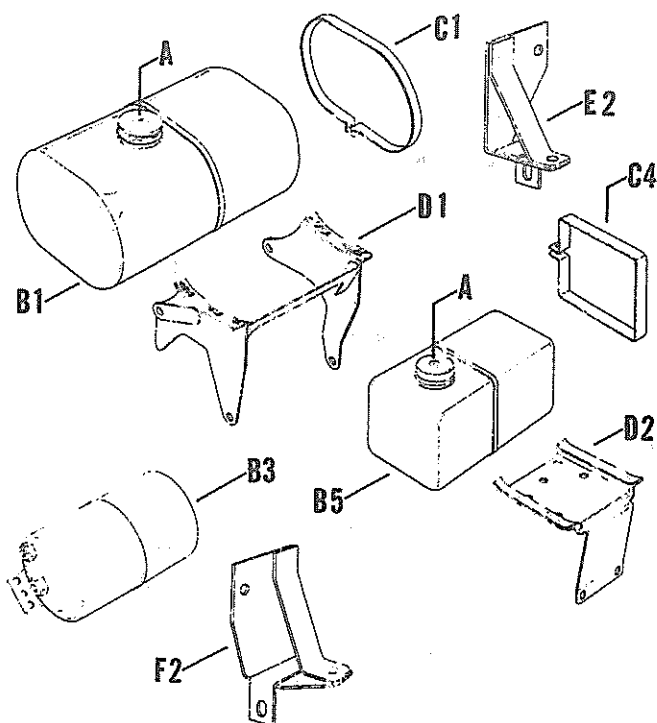
FUEL PUMP 14

14 FUEL PUMP



INDEX LTR.	DESCRIPTION VARIATION NUMBER	PART NUMBER	QTY.
Q3	Elbow, street 45° 2,3,6,7,8,9,11,12,13,14,18, 30,40,45,47	X-274-4	1
Q4	Elbow, street 90° 11,14,47	X-211-10	2
	15,25	X-211-10	1
Q5	Elbow 90° 13,16	X-447-10	1
	45	X-447-10	2
Q6	Elbow 90° 15	231510	1
Q7	Elbow, compression 90° 300	A-220146	2
Q8	Elbow, street 603	256025	1
R	Sleeve (Use prior to engine serial no. 3000001) 2,3,4,6,7,8,9,11,14,15, 18,22,23,24,25,28,30,34, 39,40,44,47	220547	2
S	Nut (Use prior to engine serial no. 3000001) 2,3,4,6,7,8,9,11,14,15, 18,22,23,24,25,28,30,34, 39,40,44,47	220786	2
T1	Connector (Use prior to engine serial no. 3000001) 2,3,4,6,7,8,9,11,14,15, 18,22,23,24,25,28,30,34, 39,40,44,47	231509	1
	Connector 12,16,22,45	X-296-1	1
T2	Connector 24,28	X-380-1	1
U1	Nipple 3/4 2,6,7,12,14,18,25,30,40, 45,47	X-217-6	1
U2	Nipple 1-3/4 3,9,11,13	X-217-3	1
	Nipple 1-1/4 8,15	D-326	1
V	Valve, 3-way 6,40	240780	1
W	Sleeve, fuel line 58	X-621-1	1
X	Repair kit, pump (Use only with pumps having letter "B" stamped on body) 2,3,4,6,7,8,9,11,12,13,14, 15,16,18,22,25,28,30,39, 40,44,45,47,601,602,603, 604,605	230675	1
	Repair kit, pump 23,24,34	231597	1
01	Line, fuel 5-7/8 (Use 230140 prior to engine serial no. 3000001) 2,3,4,6,7,8,9,11,14,15, 18,22,23,24,25,28,30,34, 39,40,44,47,58	X-697-6	1
	Line, fuel 18-1/2 58	X-386-21	1
	Line, fuel 4 59,65	X-807-2	1
02	Line, fuel 7-1/2 12,16,45	230504	1
P	Clamp, hose (Use after engine serial no. 3000000) (Replaced by X-426-90) 2,3,4,6,7,8,9,11,14,15, 18,22,23,24,25,28,30,34, 39,40,44,47,58,59,65	X-309-14	2
Q1	Elbow, compression 90° 2,4,7,9,12,30,601,602,604	A-822	1
Q2	Elbow, hose 90° (Use after engine serial no. 3000000) 2,3,4,6,7,8,9,11,14,15,18, 22,23,24,25,28,30,34,39,44, 47,59	X-391-1	1
	Elbow, hose 90° 3,9,13,58,601,603,604,605	X-391-1	A.R.

15 FUEL TANK

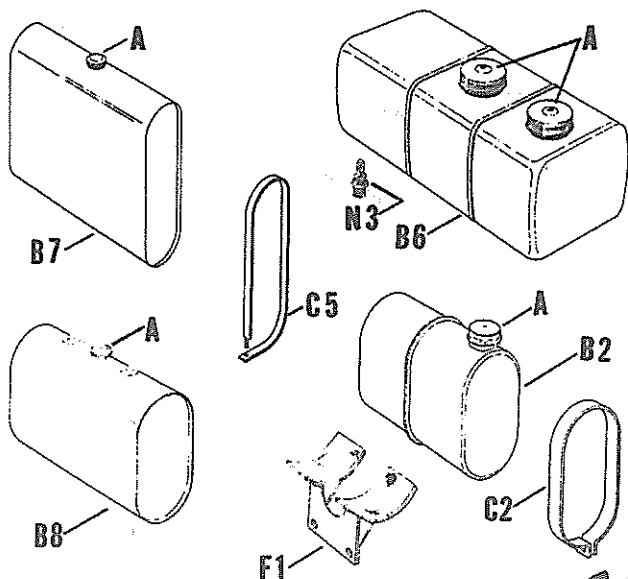


INDEX LTR.	DESCRIPTION VARIATION NUMBER	PART NUMBER	QTY.
B4	Tank, fuel - 0.72 gal. (Includes cap) 41,66	231746	1
	Tank, fuel - 0.9 gal. (Includes cap) 42,58,82	231747	1
B5	Tank, fuel - 1.5 gal. (Includes cap) 70,71,84,300	234451	1
B6	Tank, fuel - Gas/Kerosene (Includes caps) 89,90	41 065 01	1
B7	Tank, fuel - 4.0 gal. (Includes cap) 302	231908	1
B8	Tank, fuel - 2.0 gal. (Includes cap) 303	231941	1
C1	Strap, tank (1.25 or 1.4 gal. tank) 1,2,3,4,7,9,13,18,24,25, 28,29,31,49,51,500	A-234167	2
C2	Strap, tank (2.8 gal. tank) 19,21	275748	2
	Strap, tank (1.5 or 2.0 gal. tank) 301,303,305,311,312,313, 314,315	230706	2
C3	Strap, tank (0.72 or 0.9 gal. tank) 41,42,58,66,82	A-234873	2
C4	Strap, tank (1.5 gal. tank) 70,71,84,89,90,300	A-236938	2
C5	Strap, tank (4.0 gal. tank) 302	231911	2

INDEX LTR.	DESCRIPTION VARIATION NUMBER	PART NUMBER	QTY.
------------	------------------------------	-------------	------

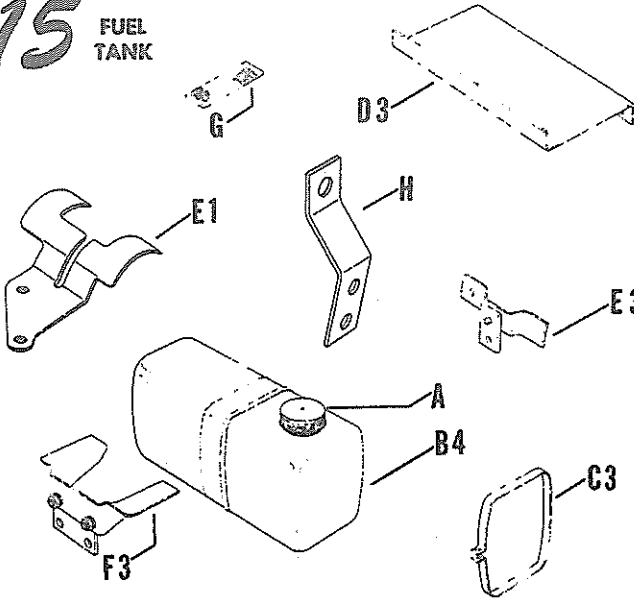
Use stock of original part number before ordering replacement.

A	Cap, fuel tank 1,2,3,4,7,9,13,18,19,24,25, 28,29,41,42,49,51,58,66,70, 82,84,300,301,311,312,313, 314,315,500	236655	1
	21	200099	1
	31	220853	1
	89,90	236655	2
B1	Tank, fuel - 1.4 gal. (Includes cap) 1,2,3,4,7,9,13,18,24,25, 28,29,31,49,51,500	230164	1
	Tank, fuel - 2.0 gal. (Includes cap) 301,311,312,313,314,315	234309	1
B2	Tank, fuel - 2.8 gal. (Includes cap) 19	275866	1
	Tank, fuel - 2.8 gal. (Includes cap) (Replaced by 236684) 21	275266	1
B3	Tank, fuel - 0.25 gal. (Prime tank) 20,303	265845	1



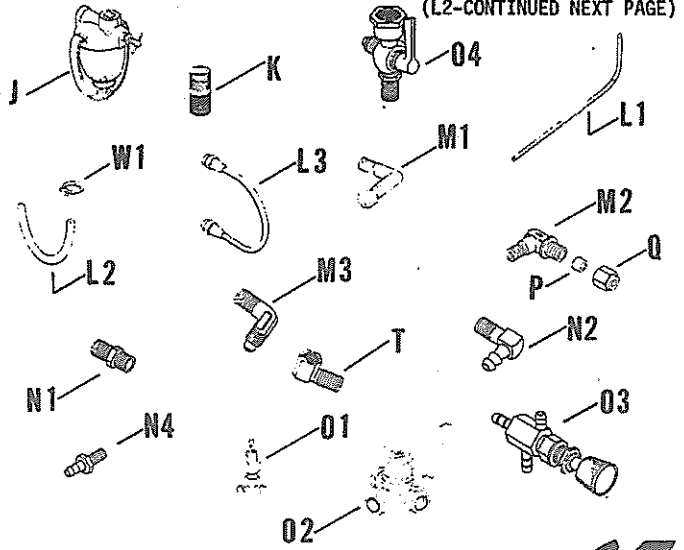
FUEL TANK 15

15 FUEL TANK



INDEX LTR.	DESCRIPTION VARIATION NUMBER	PART NUMBER	QTY.
D1	Bracket, tank (1.25 or 1.4 gal. tank) 1,3,4,7,9,13,18,24,25,28, 29,31,49,51,500	234168	1
	Bracket, tank (1.4 gal. tank) 2	A-237459	1
D2	Bracket, tank (1.5 gal. tank) (Replaced by 234767) 70,71,84,89,90,300	A-234767	1
D3	Bracket, tank (1.5 or 2.0 gal. tank) 301,303,305,311,312, 314,315	230409	1
	Bracket, tank (4.0 gal. tank) 302	231909	1
E1	Bracket, tank - upper (2.8 gal. tank) 19,21	234173	1
E2	Bracket, tank - right hand (0.25 gal. tank) 20,303	230707	1
E3	Bracket, tank - upper (0.72 or 0.9 gal. tank) 41,42,58,66,82	A-234177	1
F1	Bracket, tank - lower (2.8 gal. tank) 19,21	234174	1
F2	Bracket, tank - left hand (0.25 gal. tank) 20,303	230708	1
F3	Bracket, tank - lower (0.72 or 0.9 gal. tank) 41,42,58,66,82	A-234875	1
G	Webbing 1,7,9,13,24	X-295-2	2

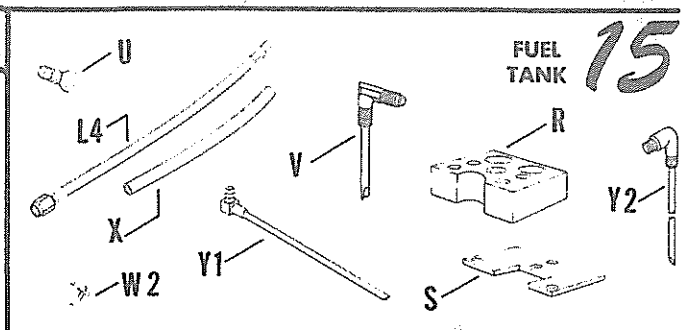
INDEX LTR.	DESCRIPTION VARIATION NUMBER	PART NUMBER	QTY.
(G-CONTINUED)			
	301,311,312,313,314,315	X-295-42	2
	302	X-295-7	2
	303,305,311,312,313,314	X-295-8	2
H	Bracket, valve 90	46 126 01	1
J	Filter, fuel - assembly (Refer to Index Letter E1, Group 14 for assembly details) 1,2,3,4,9,18,21,24,28, 31,49,51	A-210101	1
	Filter, fuel - assembly (Refer to Index Letter E4, Group 14 for assembly details) 19,29	A-220805	1
K	Nipple 3/4 1,2,3,4,9,18,19,21,24,28, 29,31,49,51	X-217-6	1
L1	Line, fuel 4 copper 1,2,18,500	230097	1
	4	230433	1
	7	220441	1
	Line, fuel 4-5/16 copper 3	230441	1
	Line, fuel 8-1/2 copper 13	231336	1
	Line, fuel 22 copper 21	X-294-5	1
L2	Line, fuel 5-1/4 rubber 9,28,31	X-386-18	1
	Line, fuel 7 rubber (Replaced by X-697-8) 24,25,84	X-697-2	1



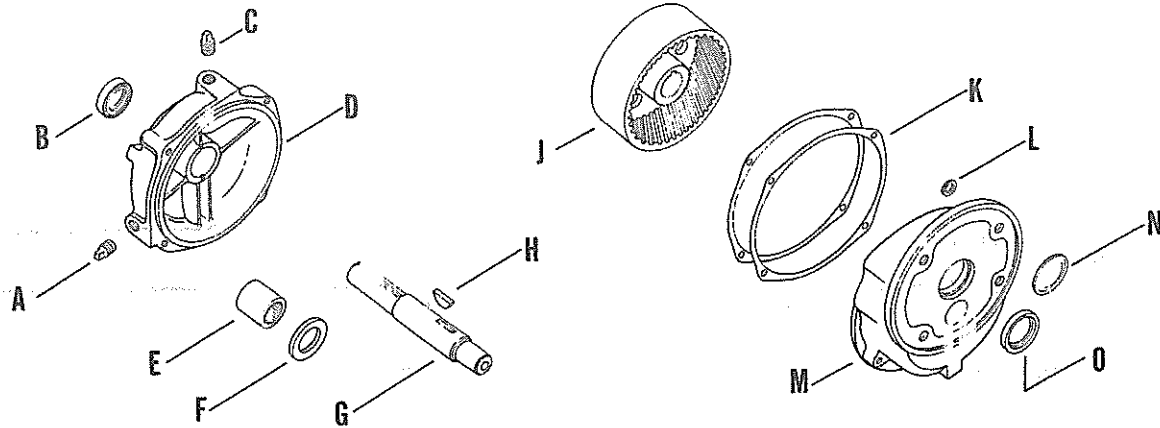
K161-L161

15
15

INDEX LTR.	DESCRIPTION VARIATION NUMBER	PART NUMBER	QTY.
(L2-CONTINUED)			
	Line, fuel 16-1/2 rubber 41,42,66	X-386-24	1
	Line, fuel 7 rubber 49,90	X-386-19	1
	Line, fuel 15 rubber 58	X-386-22	1
	Line, fuel 5-1/2 rubber 70	X-697-1	1
	Line, fuel 18-1/2 rubber 82	X-386-21	1
	Line, fuel 13-1/2 rubber 89	X-697-7	1
	71	X-810-5	1
	Line, fuel 4 rubber 89	X-697-4	1
	Line, fuel 10-1/2 rubber 90	X-386-1	1
	Line, fuel 6-1/4 rubber 90,300,301	X-386-31	1
	Line, fuel 8 rubber 302	X-386-25	1
	Line, fuel 4-1/2 rubber 303,305,313,314,315	X-386-15	1
L3	Line, fuel 18-1/2 copper (Replaced by 230965) 19	A-230965	1
	Line, fuel 5-5/8 steel 29,51	A-231420	1
L4	Line, flexible fuel 26 20	265463	1
	Line, flexible fuel 14 20	265462	1
	Line, flexible fuel 10 20,303	265811	1
	Line, flexible fuel 5 20,303,311,312	266084	1
	Line, flexible fuel 32 303	266103	1
M1	Elbow 90° (Replaced by A-220146) 1	220146-A	1
	Elbow 90° 7,13	A-822	1
M2	Elbow 90° 2,3,18,21	231510	1
M3	Elbow 90° 19,20,29,51,303	X-447-10	1
N1	Connector 4	231509	1
N2	Connector 9,24,28,31,49	X-391-1	1
	89	X-391-1	2
N3	Connector 89	X-769-1	1

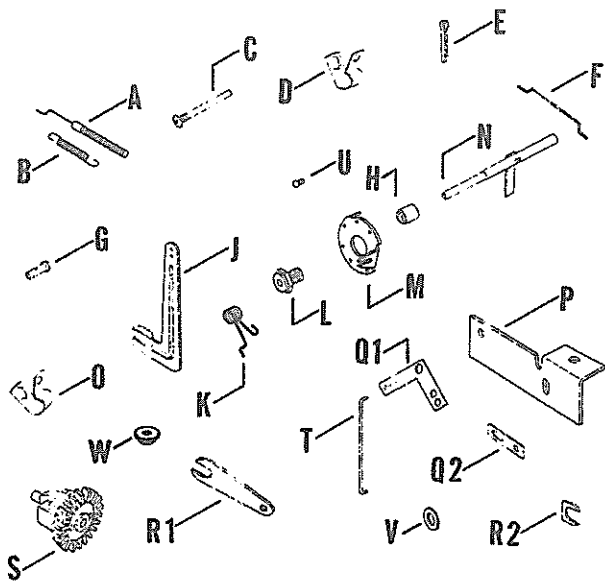


INDEX LTR.	DESCRIPTION VARIATION NUMBER	PART NUMBER	QTY.
N4	Connector 302,305,313,314,315	X-495-1	1
01	Valve, fuel 25,41,42,58,66,70,71, 82,84,89,90,300	220764	1
02	Valve, fuel (3-way) 89	46 462 01	1
03	Valve, fuel 90	46 462 02	1
04	Valve, shut-off 303	X-255-1	1
P	Sleeve 2,3,4,18,21	220547	1
Q	Nut 2,3,4,18,21	220786	1
R	Block, fuel (Discontinued--Not Available) 20	153854-2	1
S	Bracket, fuel block 20	230709	1
T	Elbow, street 90° 20	X-211-10	2
U	Connector, compression 20	A-84	1
V	Elbow, restricted 20,303	280169	1
W1	Clamp, hose (Replaced by X-426-9) 24,25,70,71,84	X-309-14	2
W2	Clamp, hose 89	X-426-9	4
	90	X-426-9	6
X	Sleeve, fuel line 21	275219	1
	41,42,66,82	X-621-1	1
Y1	Line, suction 7-5/8 301,311,312,313,314,315	234310	1
	Line, suction 12-13/16 302	231910	1
	Line, suction 8 303,305,313,314,315	231295	1
Y2	Line, suction 8-5/16 311,312	230385	1



INDEX LTR.	DESCRIPTION VARIATION NUMBER	PART NUMBER	QTY.	INDEX LTR.	DESCRIPTION VARIATION NUMBER	PART NUMBER	QTY.
	Use stock of original part number before ordering replacement.			H	Key, woodruff #9 1,2,4,6,	X-45-1	1
A	Plug, pipe 1/4 1,4,6	X-75-2	1	J	Gear, reduction (Enginewise rotation) 1,4,6	230213	1
	2	X-75-2	3		Gear, reduction (Counter- enginewise rotation) (Discontinued--Not Available) 2	230298	1
B	Seal, oil 1,2,4,6	X-583-2	1	K	Gasket, gear cover .010 1,4,6	230218	1
C	Plug, vented pipe 1,2,4,6	205013	1		Gasket, gear cover .015 1,6	234497	A.R.
D	Cover, housing (Includes bushing) (Enginewise rotation) 1	A-230780	1		Gasket, gear cover .020 1,6	234498	A.R.
	Cover, housing (Includes bushing) (Counter-enginewise rotation) 2	A-230800	1		Gasket, gear cover .006 2	230299	A.R.
	Cover, housing 4	230724	1		4,6	230223	A.R.
	Cover, housing (Includes bushing) 6	A-231535	1	L	Washer, copper 3/8 4,6	S-368	2
E	Bearing 4	X-293-5	1	M	Housing, gear 1,4,6	A-230781	1
F	Bearing, thrust 1,2,6	230219	2		2	A-230799	1
	4	230219	1		Housing, gear (Replaced by A-230781) 6	A-234770	1
	Washer, thrust 4	230725	1	N	Plug, expansion 1,2,4,6	160037	1
G	Shaft, reduction 1,2,4,6	230214	1	O	Seal, oil 1,2,4,6	X-271-22	1

17 GOVERNOR



INDEX LTR.	DESCRIPTION VARIATION NUMBER	PART NUMBER	QTY.
Use stock of original part number before ordering replacement.			
A	Arm, governor 5,6,28,29,80,81,100,129, 139,153,801	220239	1
B	Spring, linkage 5,6,28,29,80,81,100,101, 129,139,144,172,800,801	230117	1
	12	230180	1
C	Pin, governor stop (Use X-52-8 on engines prior to serial no. 555266) ALL	231355	1
D	Clip, lead 107	275183	1
E	Key, cotter 107	X-36-5	1
F	Linkage, governor 5,6,12,15,30,80,81,82,88, 89,93,94,98,100,101,102, 103,104,105,106,107,108, 109,110,111,113,117,119, 123,124,126,129,133,138, 139,142,143,144,145,147, 149,153,155,158,161,166, 171,172,500,800,801	230078	1
	8,29	230823	1
	86,92	231581	1
G	Clamp, swivel wire 110	231052	1
H	Spacer 12	X-400-17	1

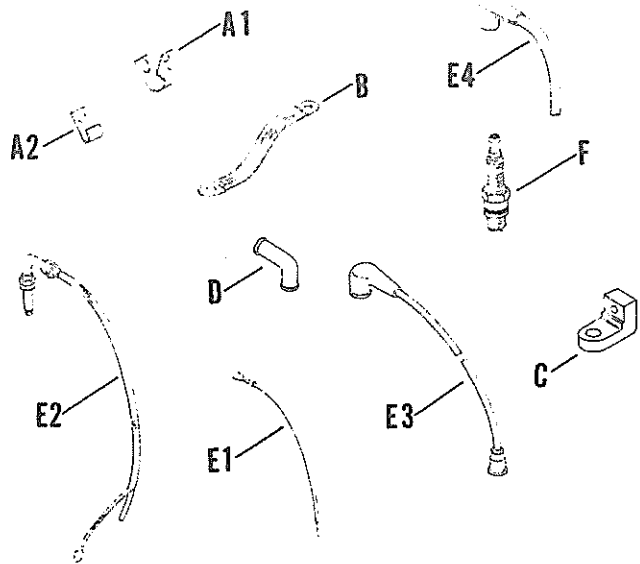
INDEX LTR.	DESCRIPTION VARIATION NUMBER	PART NUMBER	QTY.
J	Lever, governor (Use A-234178 prior to engine serial no. 319428-- includes spring) ALL (except 5,6,28,29,86, 92,129,135,801)	232614	1
	Lever, governor 5,6,28,29	230494-S	1
	68,92	232616	1
	129,801	232762	1
K	Spring, governor (Use A-234178 on engines prior to serial no. 319428-- includes lever) ALL (except 5,6,12,28,29, 80,86,92,135,153,158,800)	232617	1
	Spring, governor 5,28	230495	1
	6,29	230496	1
	80,800	232619	1
	86,92	232618	1
L	Bushing, governor (Use 220132 on engines prior to serial no. 319428)(Use 220132 on generator sets prior to serial no. 202305) ALL	230476	1
M	Disc, regulating 5,6,28,29,80,81,82,89,93, 100,101,126,129,135,139, 143,144,145,147,149,153, 158,500,800,801	230149	1
	15	231213	1
	30	231507	1
	86,98,103,113,138,155,161	232513	1
	88	231261	1
	92,105	231329	1
	94	232549	1
	102	231227	1
	104	231234	1
	106	230918	1
	107	231466	1
	108	231331	1
	109,142,172	230913	1
	110	231112	1
	111	231371	1
	117	231224	1
	119	220766	1
	123	231550	1

(M-CONTINUED NEXT PAGE)

INDEX LTR.	DESCRIPTION VARIATION NUMBER	PART NUMBER	QTY.
(M-CONTINUED)			
	124	232836	1
	133	221126	1
	166	41 274 10	1
	171	41 530 13	1
N	Shaft, governor cross ALL	230540-S	1
O	Clip, cable 142,143,144,145,161	210149	1
P	Bracket, regulating 107	231460	1
Q1	Bracket, regulating 107	231461	1
Q2	Bracket, regulating 111	231370	1
R1	Bracket, speed control (Use 230222 on generator sets prior to serial no. 202305) 5,6,28,29,80,81,100,129,153,800,801	230478	1
	Bracket, speed control 30	231506	1
	86,88,89,94,105,106,107,109,117,119,123,138,142,143,145,149	230557	1
	126	232888	1
	171	41 087 03	1
	Bracket, speed control (Use 220156 on engines prior to serial no. 319428) 82,92,93,98,101,103,104,113,124,133,135,144,147,155,158,161,166,172,500	230477	1
R2	Bracket, speed control 15,102,108,110,111	230919	1
S	Gear, governor ALL (except 5,6,15,28,29,30,88,92,110,111,500)	A-237031	1
	Gear, governor (Replaced by A-237031) 5,6,15,28,29,30,88,92,110,111	A-235157	1
	500	A-230157	1
T	Linkage, regulating 107	231462	1
U	Screw, drive #2 86,94,98,106,109,113,117,119,123,124,126,133,135,138,142,145,147,149,158,161,166	X-67-5	1
V.	Washer, plain 7/32 I.D. x 3/8 O.D. x 1/32 ALL	X-25-58	1
W	Palnut ALL (except 5,6,12,28,29,80,86,92,135,153,158,800)	X-799-1	1

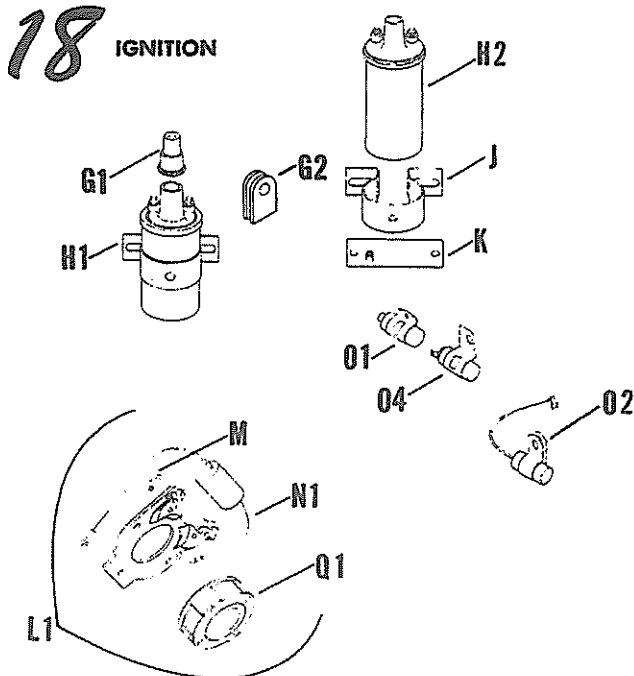
IGNITION

18



INDEX LTR.	DESCRIPTION VARIATION NUMBER	PART NUMBER	QTY.
	Use stock of original part number before ordering replacement.		
A1	Clip 1,4,5,12,14,20,27,32,33,37,40,49,51,58,65,82,97,114,190,195,209,213,237	275183	1
	24	275183	2
	178,188	X-728-1	1
A2	Clip, 3/4 wide ALL (except 3,8,16,21,24,31,34,38,39,43,50,52,53,55,59,89,99,109,161,172,173)	230249	1
	Clip 1/2 wide 11,12,14,27,32,33,37,116,117,119,152	275182	1
B	Strap, ground 8	200521	1
	8,21	223033	1
C	Bracket, stop control 102	231529	1
D	Cover, terminal 31	220317	1
	Boot, spark plug 165,177,178,184,185,186,190,195,209,213,236	220791	1
E1	Cable, spark plug 1,5,11,12,14,20,37,96,97	A-230782	1
	999	A-230072	1

INDEX LTR.	DESCRIPTION VARIATION NUMBER	PART NUMBER	QTY.	INDEX LTR.	DESCRIPTION VARIATION NUMBER	PART NUMBER	QTY.
E2	Cable, spark plug 2,10,21,28	A-230784	1		Plug, spark (Knurled nut-reach 3/8) (Replaced by 270321-S) 1,5,34,38,52,97,999	220040-S	1
	8	A-230560	1		Plug, spark (Shielded-resistor-reach 3/8) 2,8,10,21,28	220258-S	1
	19,152	A-230785	1		19,151	240705-S	1
	Cable, spark plug (Discontinued--Not Available) 109,161,172,173	A-231408	1		109,161,172,173,188	231410-S	1
E3	Cable, spark plug (Replaced by 238057 kit) 3,22,26,43,50,54,55,63, 70,191	A-235334	1		Plug, spark (Solid post - reach 3/8) 3,4,11,12,14,16,20,22,24, 26,27,31,32,33,37,39,43, 50,51,53,54,55,58,59,60, 70,71,72,82,99,111,113, 114,115,116,117,119,120, 141,165,166,178,181,190, 195,206,209,213	270321-S	1
	24,76,181,232	A-231104	1		Plug, spark (Resistor - reach 3/8) 40,49,65	240667-S	1
	59	A-235095	1		63,76,79,89,92,93,95,102; 138,175,177,184,185,191, 232,236	41 132 06	1
	89	A-231960	1		237	41 132 02	1
	Cable, spark plug 16	230657	1		Plug, spark (Auxiliary gap - reach 3/8) 78	270809-S	1
E4	Cable, spark plug (Replaced by 238057 kit) 4,27,32,33,40,49,58,65, 71,72,78,79,82,92,93,95, 102,111,113,114,115,116, 117,119,120,138,141,166, 174,175,206	A-230783	1		174,186	234741-S	1
	206	41 348 01	1		Plug, spark (Resistor - reach 7/16) 96	235041-S	1
	Cable, spark plug 51	A-231386	1	G1	Nipple, rubber 24	285263	1
E5	Cable, spark plug 165,177,178,184,185,186, 190,195,206,209,213,236	234424	1	G2	Grommet 184,236,237	220297	1
	188	234426	1	H1	Coil, ignition (6 volt) 3,8	230341	1
					Coil, ignition (12 volt) 22,26,50,59,63,70,76, 89,181,191,232	231281	1
					Coil, ignition (12 volt) (Replaced by 231281) 43	231848	1
				H2	Coil, ignition (12 volt) 24,54,55	237256	1
				J	Bracket, ignition coil 24,54,55	231879	1
				K	Plate, coil 181,232	234994	1
				L1	Stator, rotor-magneto - assem. (Includes M,N1,O1 & Q1) (Use A-231632 stator assembly on engine spec suffix "F" & later) 1,4,5,11,12,14,19,20,27, 32,33,37,40,49,51,58,65, 999	C-230089	1
					2,10,21,28	C-230437	1

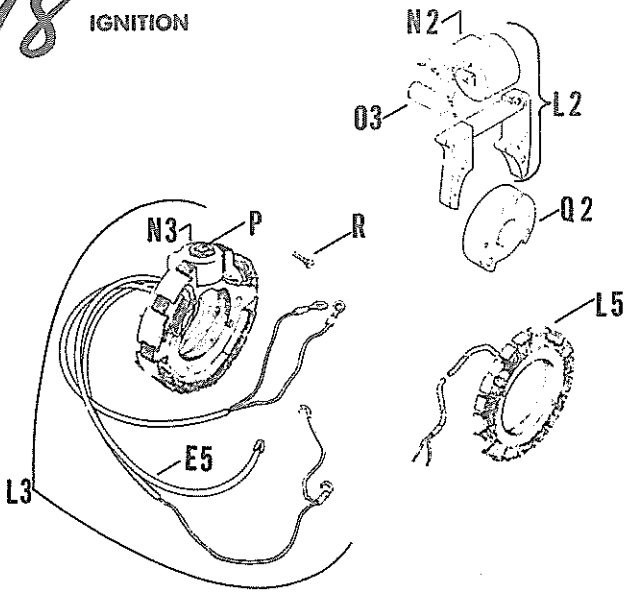


18

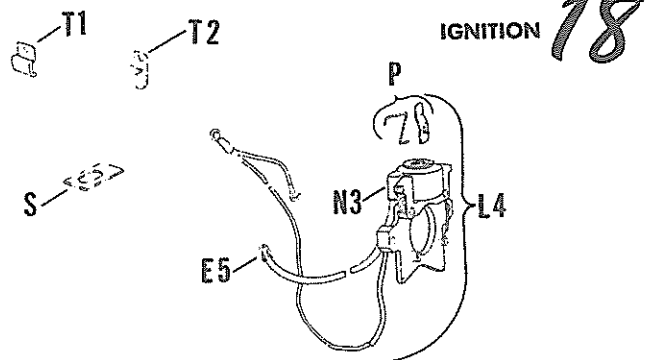
18

IGNITION

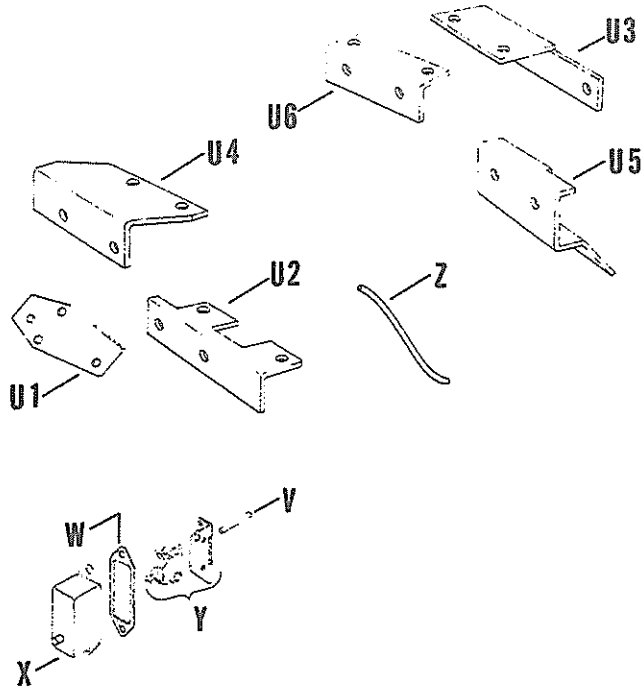
K161-L161



INDEX LTR.	DESCRIPTION VARIATION NUMBER	PART NUMBER	QTY.
N2	Coil, stator (Use 230075 coil prior to engine spec suffix "F") 71,72,78,79,82,92,93,95,96,97,102,109,111,113,114,115,116,117,119,120,138,141,151,152,161,166,172,173,174,175	231718	1
N3	Coil, stator 165,177,184,236	234422	1
	Coil, stator (Replaced by 238059 kit) 178,185,186,188,190,195,206,209,213	232901	1
01	Condenser 1,2,3,4,5,8,10,11,12,14,19,20,21,27,28,32,33,37,40,49,51,58,65,999	220082	1
	8	201555	1
	31,38,39	230980	1
02	Condenser 22,24,26,43,50,54,55,59,60,63,70,76,89,181,191	230722	1
03	Condenser 71,72,78,79,82,92,93,95,96,97,102,109,111,113,114,115,116,117,119,120,138,141,151,152,161,166,172,173,174,175	231719	1
04	Condenser (Replaced by 47 147 01) 165,177,178,184,185,186,188,190,195,206,209,213,236	235786	1
P	Kit, coil clip 165,177,178,184,185,186,188,190,195,206,209,213,236	237919	1
Q1	Magnet, rotating 1,2,4,5,10,11,12,14,19,20,21,27,28,32,33,37,40,49,51,58,65,999	230360	1
Q2	Rotor 71,72,78,79,82,92,93,95,96,97,102,109,111,113,114,115,116,117,119,120,138,141,151,152,161,166,172,173,174,175	231631	1
L2	Stator, rotor-magneto-assem. (Includes N2 & 03) (Use C-230089 stator assem. prior to engine spec suffix "F") 71,72,78,79,82,92,93,95,96,97,102,109,111,113,114,115,116,117,119,120,138,141,151,152,161,166,172,173,174,175	A-231632	1
L3	Stator, magneto-alternator assembly (Includes E5,N3,P & R) (Replaced by 237876 kit) 165,177	A-234282	1
L4	Stator, magneto - assembly (Includes E5,N3 & P) 178,184,185,186,190,195,206,209,213,236	41 085 01	1
	Stator, magneto - assembly (Includes E5,N3,P & R) 188	A-236439	1
L5	Stator, alternator (Includes terminals) 181,191,232,237	237878	1
M	Clamp, coil 1,2,4,5,10,11,12,14,19,20,21,27,28,32,33,37,40,49,51,58,65,999	210293	2
N1	Coil, stator (Use 230512 coil prior to engine spec suffix "F") 1,4,5,11,12,14,19,20,27,32,33,37,40,49,51,58,65,999	230075	1
	Coil, stator (Use 230075 coil on engine spec suffix "F" & later) 2,10,21,58	230512	1



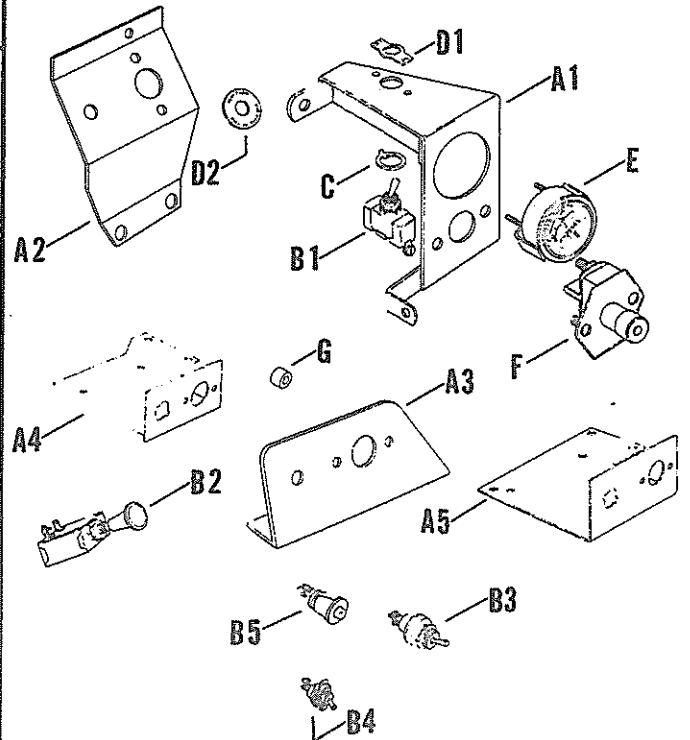
18 IGNITION



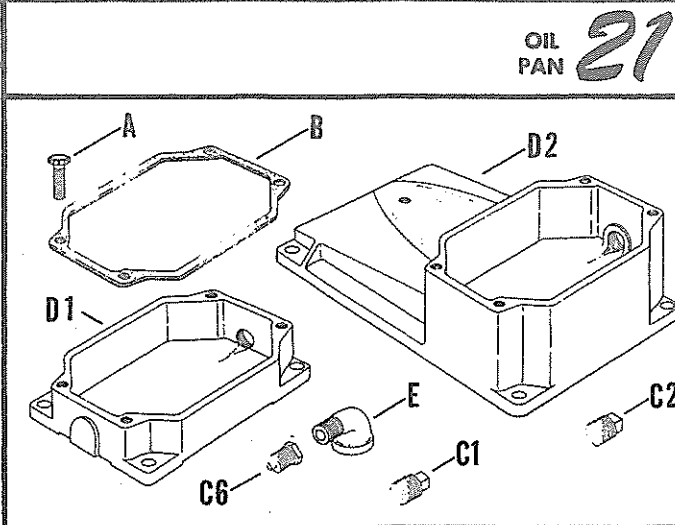
INDEX LTR.	DESCRIPTION VARIATION NUMBER	PART NUMBER	QTY.
W	Gasket, cover (Replaced by 52 041 11) ALL	220174	1
X	Cover, breaker ALL	A-220136	1
Y	Breaker - assembly (Replaced by 47 150 03) ALL	47 150 01	1
Z	Sleeve, cable 1,4,5,11,12,14,19,20,27, 32,33,37,40,49,51,58,65, 71,72,78,79,82,92,93,95, 96,97,102,109,111,113,114, 115,116,117,119,120,138, 141,151,152,166,174,175, 999	230334	1

INSTRUMENT PANEL 19

INDEX LTR.	DESCRIPTION VARIATION NUMBER	PART NUMBER	QTY.
R	Screw 165,177,188	234423	1
	237	X-778-1	4
S	Spring, stop control 102	231528	1
T1	Clip 165,177	234531	1
	191	236450	1
T2	Clip 177	234511	1
U1	Bracket, coil 24	230727	1
U2	Bracket, coil 50	231322	1
U3	Bracket, coil 54	231388	1
U4	Bracket, coil 55	231609	1
U5	Bracket, coil 70	231593	1
U6	Bracket, coil 89	232632	1
V	Rod, breaker ALL	41 411 01	1

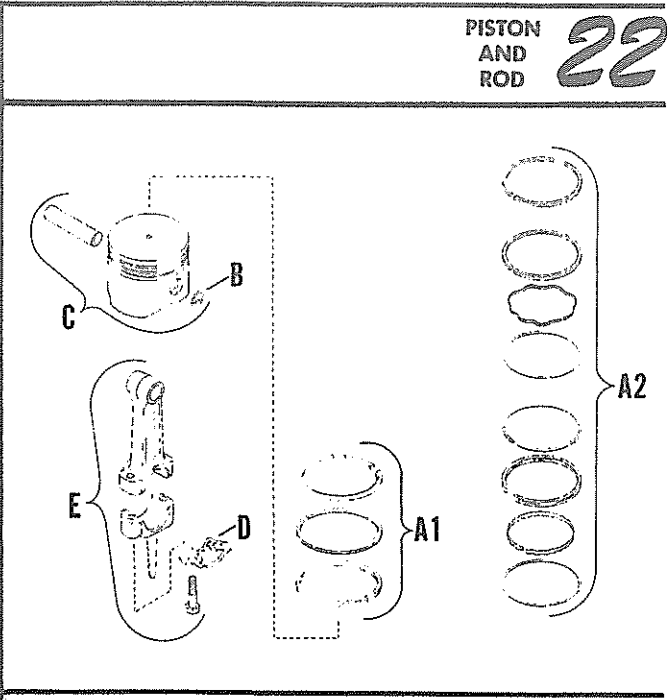


INDEX LTR.	DESCRIPTION VARIATION NUMBER	PART NUMBER	QTY.
Use stock of original part number before ordering replacement.			
A1	Panel, instrument 1,3	230443	1
A2	Panel, instrument 4,6,7,21,34	230720	1
A3	Panel, instrument 20	231443	1
A4	Panel, instrument 38	234521	1
A5	Panel, instrument 44,45	234867	1
	47	238013	1
B1	Switch, ignition 1	151510	1
	47	238011	1
B2	Switch, ignition 4,6,20	275713	1
B3	Switch, ignition 7,500	234690	1
B4	Kit, ignition switch (Includes 220725 instruction plate) 21,200,501	223072-S	1
B5	Switch, ignition 38,44,45,502,503	236435	1
C	Ring, lock 1	151511	1
D1	Plate, instruction 1	151508-1	1
	7,47,500	220725	1
D2	Plate, instruction 4,6,20,21,501	223073	1
	38,44,45,503	236654	1
E	Ammeter (Replaced by 277190) 1,3	270230	1
F	Switch, starting 1,3,4,6,7,20,21,38,44,45, 47	230442	1
G	Spacer 3/4 44,45,47	X-400-79	1



INDEX LTR.	DESCRIPTION VARIATION NUMBER	PART NUMBER	QTY.
Use stock of original part number before ordering replacement.			
A	Screw, hex. hd. 5/16 - 18 x 1-5/8 21,34	230992	2
	Screw, hex. hd. 5/16 - 18 x 1 56	231849	4
B	Gasket, pan ALL	230057	1
C1	Plug, drain 1/2 sq. hd. 1,5,8,9,11,13,16,18,20,21, 34,40,43,44,47,51,56,62, 80,81,500,501	X-75-28	1
	23,74	X-75-28	2
	Plug, drain 3/8 sq. hd. 48	X-75-10	1
C2	Plug, drain 1/2 sq. hd. 2,12,17,25,31,35,49,78, 999	X-75-5	1
	30	X-75-5	2
C3	Plug, drain sq. countersunk 5,22,56,81	X-75-3	1
C4	Plug, magnetic drain 1/2 7,10,22,26,33	X-305-1	1
	Plug, magnetic drain 3/8 46	X-305-2	1
C5	Plug, drain 1/2 hex. counter- sunk 27,36,57	X-75-30	1
	55	X-75-30	2
C6	Plug, magnetic drain 3/8 41,42,67	X-305-4	1
C7	Plug, drain 9/16 hex. hd. 65,77,500,501,502	241062	1

INDEX LTR.	DESCRIPTION VARIATION NUMBER	PART NUMBER	QTY.
D1	Base, oil pan - Std. (Drain opposite carb.) 1,7,8,9,10,20,21,26,27, 33,49,51,62,65,77,500, 999	230021	1
	Base, oil pan (Double drain) 5,22,23,25,34,35,47,56, 74,81	230804	1
	Base, oil pan (Drain opposite carb.) (Replaced by 230021) 12,17	230115	1
	Base, oil pan (Drain on P.T.O. side) 36,43,44,57	231254	1
	40	231610	1
	46	231517	1
	Base, oil pan (Drain opposite carb.) 41,42,58	231417	1
	Base, oil pan (Bottom drain) 48	231594	1



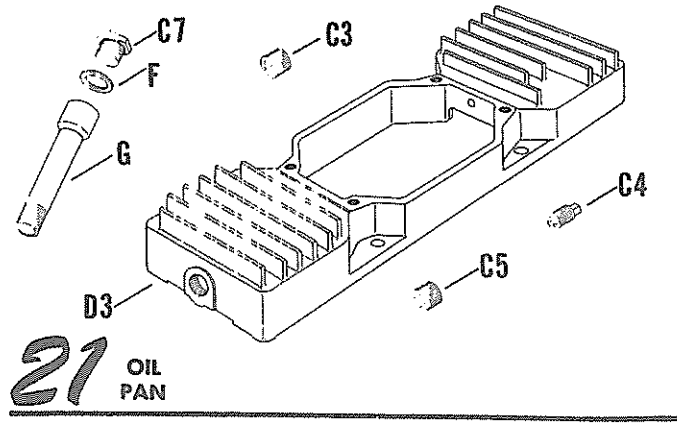
INDEX LTR.	DESCRIPTION VARIATION NUMBER	PART NUMBER	QTY.
	Base, oil pan (Drain on carburetor side) 67	232815	1
D2	Base, oil pan (Generator Set) (Drain opposite carb.) 2,11,13,16,18,501,502	230102	1
	Base, oil pan (Drain on carburetor side) 80	234491	1
D3	Base, oil pan (Double drain) 30,55	230880	1
	Base, oil pan (Front drain) 31,78	230962	1
E	Elbow, street 90° 26	X-211-1	1
F	Gasket, drain plug 65,77,500,501,502	241063	1
G	Tube, oil drain 65,77,500,501,502	234103	1

INDEX LTR.	DESCRIPTION VARIATION NUMBER	PART NUMBER	QTY.
------------	------------------------------	-------------	------

Use stock of original part number before ordering replacement.

Specifications prior to 281162 have a bore size of 2-7/8". Bore size is now 2-15/16" which is the K181 bore size. The K161 now uses the same size piston and rings as the K181. Stroke remains at 2-1/2" for K161 and 2-3/4" for K181.

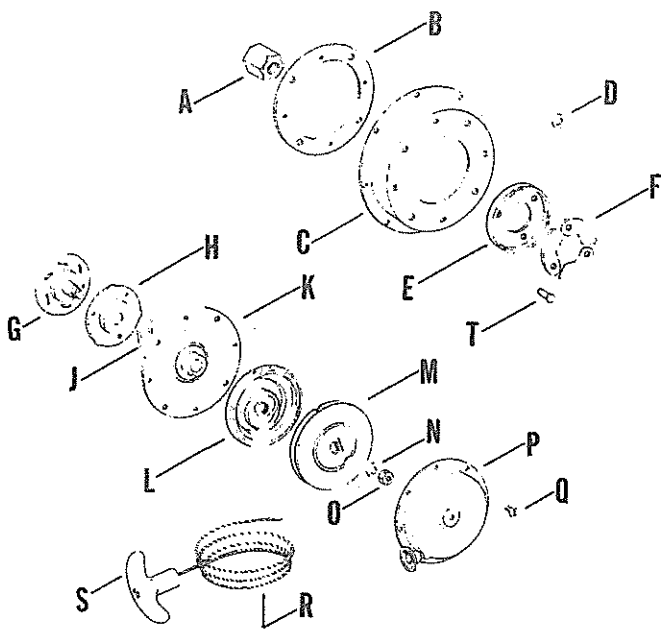
A1	Ring set-Std. (Bore 2-7/8) (Replaced by 231424) 2,5	230467	1
	Ring set - .010 (Replaced by 231425)	230468	
	Ring set - .020 (Replaced by 231426)	230469	1
	Ring set - .030	230470	
	Ring set - Std. (Bore 2-7/8) (Replaced by 231424) 3	230900	1
	Ring set - .010	230901	
	Ring set - .020 (Replaced by 231426)	230902	
	Ring set - .030	230903	
	Ring set - Std. (Bore 2-15/16) (Replaced by 232575) 14	231973	1
	Ring set - .010 (Replaced by 232576)	231974	
	Ring set - .020 (Replaced by 232577)	231975	
	Ring set - .030 (Replaced by 232578)	231976	



INDEX LTR.	DESCRIPTION VARIATION NUMBER	PART NUMBER	QTY.
Service ring sets include ring expanders.			
A2	Ring set - Std. (Service) (Bore 2-7/8) 1,2,3,5,300	231424	1
	Ring set - .010 (Service)	231425	
	Ring set - .020 (Service)	231426	
	Ring set - .030 (Service)	231427	
	Ring set-Std. & .003 (Service)(Bore 2-15/16) 14	232575	1
	Ring set - .010 (Service)	232576	
	Ring set - .020 (Service)	232577	
	Ring set - .030 (Service)	232578	
B	Retainer, pin ALL	230004	2
C	Piston - assembly--Std. (Bore 2-7/8)(Includes pin & retainers) 1,2,3,5,300	41 074 01	1
	Piston - assembly--.010 (Includes pin & retainers)	41 074 02	
	Piston - assembly--.020 (Includes pin & retainers)	41 074 03	
	Piston - assembly--.030 (Includes pin & retainers)	41 074 04	
	Piston-assembly--Std. (Bore 2-15/16) (Includes pin & retainers) 14	41 074 05	1
	Piston - assembly--.003 (Includes pin & retainers)	41 074 06	
	Piston - assembly--.010 (Includes pin & retainers)	41 074 07	
	Piston - assembly--.020 (Includes pin & retainers)	41 074 08	
	Piston - assembly--.030 (Includes pin & retainers)	41 074 09	
D	Lock, connecting rod ALL	230525	1
E	Rod, connecting-assem. (Std.) (Includes lock & screw) 1,2,3,5,14,300	B-230039	1
	Rod, connecting-assem. (.010) (Includes lock & screw)	B-230039-10	

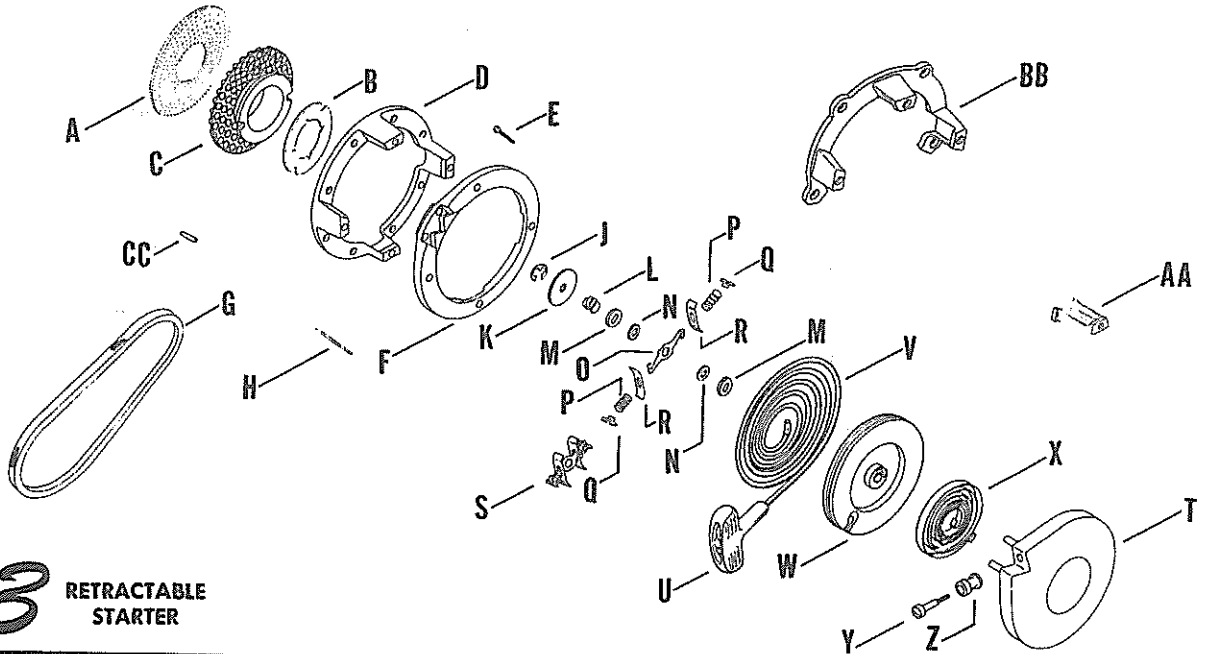
RETRACTABLE
STARTER

23



INDEX LTR.	DESCRIPTION VARIATION NUMBER	PART NUMBER	QTY.
Use stock of original part number before ordering replacement.			
	Starter, recoil - assembly (Replaced by 221506--includes A-231643 starter & 41 071 02 cup) 1	B-230302	1
A	Member, nut-driven 1	230580	1
B	Plate, nut (Discontinued--Not Available) 1	234238	1
C	Housing, starter (Discontinued--Not Available) 1	234237	1
D	Rings, pin retaining 1	230758	3
E	Cup, driving plate (Discontinued--Not Available) 1	234240	1
F	Pawl, driving 1	230766	6
G	Plate, cam (Discontinued--Not Available) 1	230775	1
H	Plate, driving 1	234239	1
J	Spring, friction 1	234241	1
K	Plate, mounting (Discontinued--Not Available) 1	234236	1

INDEX LTR.	DESCRIPTION VARIATION NUMBER	PART NUMBER	QTY.	INDEX LTR.	DESCRIPTION VARIATION NUMBER	PART NUMBER	QTY.
L	Spring, recoil 1	230687	1	P	Housing, sheave (Discontinued--Not Available) 1	234227	1
M	Sheave (Discontinued--Not Available) 1	234228	1	Q	Screw, rd. hd. #10 - 32 x 7/16 1	X-110-1	5
N	Washer (Discontinued--Not Available) 1	234231	1	R	Cable 1	230688	1
O	Nut, self-lock (Discontinued--Not Available) 1	234233	1	S	Handle 1	230738	1
				T	Pin, drive 1	230776	3

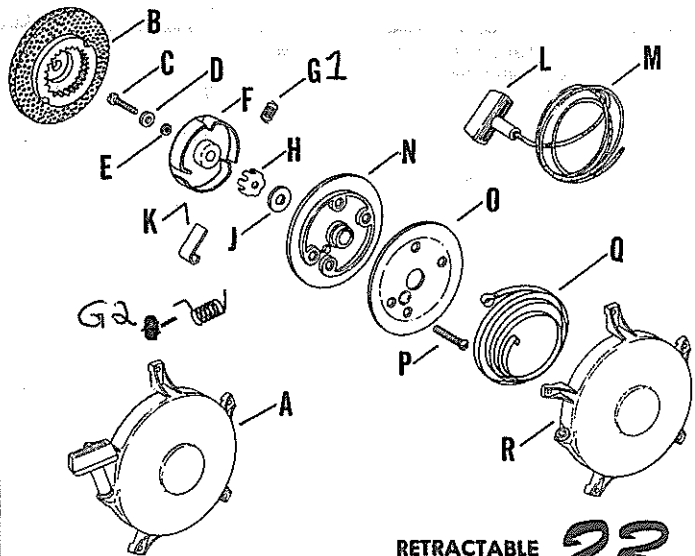


23 RETRACTABLE STARTER

INDEX LTR.	DESCRIPTION VARIATION NUMBER	PART NUMBER	QTY.	INDEX LTR.	DESCRIPTION VARIATION NUMBER	PART NUMBER	QTY.
	Starter, retractable - assem. (Discontinued--Not Available) 2,4	A-230772	1	E	Screw, machine 2,3,4,5,15	230788	4
	3	A-230801	1	F	Flange, intermediate 2,3,4,5,15	230789	1
	Starter, retractable - assem. 5,15	A-231268	1	G	Belt, drive 5,15	231265	1
A	Screen 5,15	231301	1	H	Pin, centering 2,3,4 5,15	230795 231539	1 1
B	Ring, plate 5,15	231302	1	J	Ring, retaining 2,3,4,15	230790	1
C	Pulley with screen 2,3	B-230773	1	K	Washer, brake retainer 2,3,4,5,15	230791	1
	Pulley with screen (Discontinued--Not Available) (Use A-231269 pulley w/screen & X-56-7 pin) 5,15	A-234839	1	L	Spring, brake 2,3,4,5,15	220613	1
D	Flange, mounting 2,3,4	230787	1	M	Washer, brake 2,3,4	220614	2

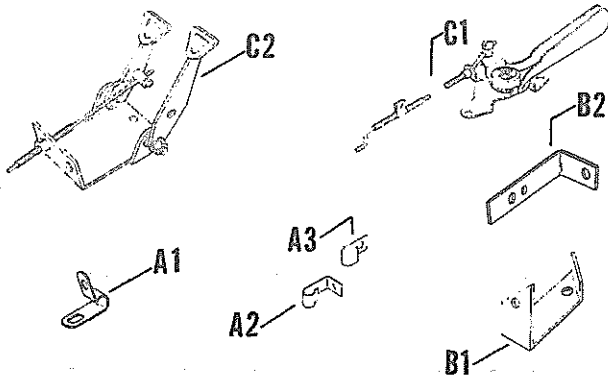
INDEX LTR.	DESCRIPTION VARIATION NUMBER	PART NUMBER	QTY.	INDEX LTR.	DESCRIPTION VARIATION NUMBER	PART NUMBER	QTY.
N	Washer, fiber 2,3,4,5,15	220615	2	C	Screw 9,14,99	231691	1
O	Lever, brake 2,3,4,5,15	220617	1	D	Washer 9,14,99	231690	1
P	Spring, friction shoe 2,3,4,5,15	220619	2	E	Washer 9,14,99	231693	1
Q	Plate, spring retainer 2,3,4,5,15	220620	2	F	Retainer 9,14,99	231699	1
R	Plate, friction shoe 2,3,4,5,15	220618	2	G1	Spring, retainer 9,14,99	232525	1
S	Shoe, friction 2,3,4,5,15	A-220616	2	G2	Spring, dog 99	33 089 06	3
T	Cover, starter 2,4,5,15	230796	1	H	Brake 9,14,99	231689	1
	3	230911	1	J	Washer, thrust 9,14,99	231692	1
U	Handle, starter 2,3,4,5,15	234452	1	K	Dogs 9,14,99	231695	3
V	Cord, starter 2,4	230792	1	L	Handle 9,14,99	234452	1
	5,15	231538	1	M	Rope #6 - 66" 9,99	231686	1
	Cord, starter (Discontinued--Not Available) 3	230828	1		Rope #6 - 84" 14	236308	1
W	Rotor, starter 2,3,4,5,15	230793	1	N	Pulley 9,14,99	231697	1
X	Spring, rewind 2,3,4,5,15	230794	1	O	Sheave 9,14,99	231685	1
Y	Screw, roller 2,3,4	230836	1	P	Screw, #10 x 1/2 9,14,99	231683	4
Z	Roller, cable 3	230912	1	Q	Spring, recoil 9,14,99	231705	1
AA	Flange, leg - mounting 5,15	232593	1	R	Housing 9,14,99	231702	1
BB	Flange, mounting 5,15	231299	1				
CC	Pin 5	X-56-7	1				

INDEX LTR.	DESCRIPTION VARIATION NUMBER	PART NUMBER	QTY.
<div style="border: 1px solid black; padding: 5px; display: inline-block;"> Use stock of original part number before ordering replacement. </div>			
A	Starter, recoil-assembly (Includes C thru R) (Replaced by 41 165 01) 9	A-231643	1
	Starter, recoil - assembly 14	A-232974	1
	99	41 165 01	1
B	Cup, drive w/screen (Replaced by 41 071 02-- 41 071 02 must be used after engine serial no. 6366215) 9,14,99	A-231644	1



**RETRACTABLE
STARTER**

24 REMOTE THROTTLE



INDEX LTR.	DESCRIPTION VARIATION NUMBER	PART NUMBER	QTY.
------------	------------------------------	-------------	------

Use stock of original part number before ordering replacement.

A1	Clip, cable 1,2,4,5,6,7,8,12,16,17,19	210149	1
	3,10	210149	3
	11	210149	2
A2	Clip, cable 13	231284	1
A3	Clip, cable 13,14,22	231285	1
	22,23	235173	1
B1	Bracket, choke cable 13	231286	1
B2	Bracket, choke cable 17	231232	1
C1	Lever, throttle (15" cable) 1	230326-1	1
	Lever, throttle (18-1/2" cable)(Use 225011-7--See chart) 2	225011-18	1
	Lever, throttle (49" cable)(Use 225011-2--See chart) 3,12	225011-15	1
	Lever, throttle (26" cable) 4	230326-2	1
	Lever, throttle (60" cable)(Use 225011-6--See chart) 6	225011-5	1
	Lever, throttle (51" cable) 7	225011-2	1
	Lever, throttle (72" cable) 8	225011-6	1
	Lever, throttle (36" cable)(Use 225011-7--See chart) 16	225011-8	1

INDEX LTR.	DESCRIPTION VARIATION NUMBER	PART NUMBER	QTY.
------------	------------------------------	-------------	------

(C1--CONTINUED)			
	Lever, throttle (55" cable) 19	225011-23	1
C2	Lever, throttle - dual (49" cable) (Discontinued--Not Available) 10	A-225020-2	1

THROTTLE LEVERS

To simplify stock requirements, throttle levers are furnished only in certain wire lengths. The following replacement levers apply to the K161.

225011-2: Use to replace levers with 41" to 51" long wires.

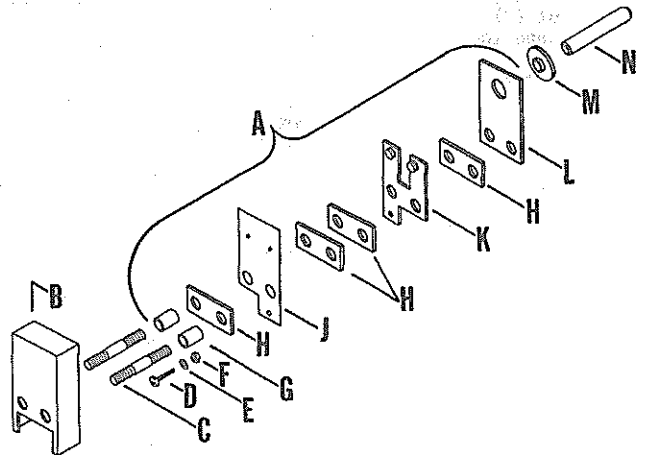
225011-6: Use to replace levers with 60" to 72" long wires.

225011-7: Use to replace levers with 12" to 40" long wires.

When using the replacement lever, the wire and casing must be cut to match the length of the unit it replaces. Instructions will be packaged with these replacement levers. The length of the wire and casing of levers being replaced on the K161 engines are shown below.

LEVER NUMBER	WIRE LENGTH	CASING LENGTH
225011-5	60"	57"
225011-8	36"	33"
225011-15	49"	46"
225011-18	18.5"	15.5"

ANTI FLICKER



INDEX LTR.	DESCRIPTION VARIATION NUMBER	PART NUMBER	QTY.
------------	------------------------------	-------------	------

A	Breaker - assembly (Includes D thru L) 1	A-230282	1
B	Cover, breaker 1	230291	1
C	Stud, breaker 1	230283	2

INDEX LTR.	DESCRIPTION VARIATION NUMBER	PART NUMBER	QTY.	INDEX LTR.	DESCRIPTION VARIATION NUMBER	PART NUMBER	QTY.
D	Screw, #4 - 36 x 3/8 1	X-49-29	2	J	Breaker, top 1	232602	1
E	Washer, split #4 1	X-22-24	4	K	Breaker, bottom 1	232598	1
F	Nut #4 - 36 1	X-74-5	4	L	Plate, base 1	230285	1
G	Insulator, screw 1	230284	2	M	Diaphragm 1	234588	1
H	Insulator, contact 1	230286	4	N	Rod, push 1	X-300-3	1

ACCESSORIES

Spec No.	Description	Part No.	Spec No.	Description	Part No.	Spec No.	Description	Part No.
2851	Nipple, pipe Filter, fuel	X-217-6 A-210101	28388	Elbow Muffler Ammeter	X-447-10 230521 277190	28585	Gasket	220537
2884	Muffler	230410	28415	Regulator	270952	28592	Filter, fuel Regulator	A-210101 270952
2892	Switch Plate Ring, lock Switch Ammeter	151510 150508-1 151511 230442 277190	28444	Regulator	270952	28594	Housing, blower Condenser Gasket Coil, ignition Kit, hi-tension lead	231804 230722 231090 237256 238057
28109	Nipple Filter, fuel	X-217-6 A-210101	28455	Regulator Coil Cable	270952 231281 A-231376	28595	Gasket (3) Regulator	220537 270952
28117	Filter, fuel	A-210101	28462	Elbow Muffler Ammeter Regulator	A-822 230521 277190 270952	28604	Strap, tank Tank, fuel	A-234167 230164
28136	Clip Clip	210149 230249	28463	Gasket	220537	28605	Regulator	270952
28148	Sleeve (2) Gasket, air horn Nut (2) Connector (2)	220547 220537 220786 231509	28467	Filter, fuel Strap, tank Tank Coil Condenser Kit, Hi-tension lead	A-210101 A-234167 230164 231281 230722 238057	28608	Fasteners (4)	X-513-1
28149	Filter, fuel Elbow Line, fuel Bracket, tank	A-210101 A-220146 230097 A-237459	28469	Pully, generator	231143	28610	Elbow, air intake Cleaner Relay, cranking Ammeter	220508 A-230837 243823 277190
28198	Regulator	A-220579	28495	Gasket, air horn Gasket, muffler	220537 231090	28622	Nipple Muffler	X-218-22 230410
28234	Sleeving (3) Clip Clip	X-450-1 210149 230249	28496	Gasket, air horn Gasket, muffler	220537 231090	28623	Nipple Muffler	X-218-22 230410
28314	Motor-generator	B-230715	28508	Filter, fuel	A-210101	28625	Gasket Gasket Housing Gear Cleaner, air	210223 220537 231804 230253 A-230837
28346	Tank, fuel	A-275263	28516	Gasket, air horn (2) Cleaner, air Elbow, cleaner Regulator	220537 A-230538 230553 270952	28626	Muffler	230410
28348	Gasket, air horn Coil, ignition Gasket, muffler	220537 230341 231090	28522	Muffler	230410	28635	Regulator	270952
28353	Regulator	270952	28529	Gasket	220537	28636	Valve, fuel Regulator Tank, fuel	220764 270952 236684
28354	Ammeter	277190	28553	Regulator	270952	28643	Nut, lock Nipple Muffler Elbow, street	AC-1536 X-218-24 230505 230600
28363	Gasket, air horn Gasket, muffler	220537 231090	28573	Clamp (2) Line, fuel	X-309-8 X-386-24			
28379	Motor-generator Solenoid Pulley	B-230715 243823 230729	28579	Gasket Cleaner Regulator	220537 A-230837 270952			

ACCESSORIES-CONTINUED

Spec No.	Description	Part No.	Spec No.	Description	Part No.	Spec No.	Description	Part No.
28661	Nipple Nut, Lock Elbow Muffler	X-218-24 AC-1536 230600 230410	28758	Adapter, dipstick Choke Linkage, choke Dipstick Gasket, choke Gasket, exhaust (2)	221264 230426 230466 A-231495 240285 230122	281016	Regulator Switch, start Switch, ignition	A-220579 230442 275713
28663	Regulator	270952	28761	Muffler Regulator	230521 270952	281046	Clip Gasket Control, throttle Cleaner, air-assem.	210149 220537 221121 A-230837
28666	Regulator	270952	28764	Muffler	230410	281073	Regulator	A-220579
28685	Shim .005 (3) Shim .010 (3) Pulley, generator	231149 231150 231278	28767	Cleaner, air Switch, thermal	A-230837 243487	281084	Switch, thermal Lever, governor Linkage Spring, governor Nut, wing Base Cover Element	243487 232614 230078 232617 X-276-7 230838 230839 230840
28686	Motor-generator Regulator Bracket Gasket, exhaust Shim (2) Shim (2) Pulley Coil Belt	B-230922 270952 230914 231090 231149 231150 231278 231281 231446	28772	Regulator	270952	281100	Fastener (4) Gasket Adapter, muffler	X-513-1 231090 234305
28695	Gasket Cleaner Regulator	220537 A-230837 270952	28788	Regulator	270952	281101	Fastener (4) Gasket Adapter, muffler	X-513-1 231090 234305
28696	Gasket Cleaner Regulator	220537 A-230837 270952	28793	Regulator	270952	281102	Fastener (4) Gasket Adapter, muffler	X-513-1 231090 234305
28697	Kit, hi-tension lead Regulator Clamp, swivel wire Coil, ignition Elbow, street	238057 270952 231052 231281 231441	28821	Regulator Coil Cable	270952 231281 A-231376	281103	Fastener (4) Gasket Adapter, muffler	X-513-1 231090 234305
28701	Muffler	230410	28822	Regulator	270952	281105	Fastener (4) Gasket Adapter, muffler	X-513-1 231090 234305
28705	Filter, fuel Regulator	A-210101 270952	28825	Regulator	270952	281106	Fastener (4) Gasket Adapter, muffler	X-513-1 231090 234305
28710	Gasket (2) Cleaner Regulator	220537 A-230837 270952	28826	Regulator	270952	281107	Fastener (4) Gasket Adapter, muffler	X-513-1 231090 234305
28716	Regulator	270952	28840	Gasket, exhaust	231090	281114	Filter	A-220805
28718	Regulator	270952	28843	Regulator	270952	281120	Pulley	41 093 02
28720	Kit, hi-tension lead Regulator Clamp, swivel wire Regulator Coil, ignition Elbow, street	238057 270952 231052 A-220579 231281 231441	28858	Regulator	270952	281122	Tube, oil fill Dipstick	234975 A-232857
28731	Bracket Motor-generator Regulator Gasket, exhaust Shim (2) Shim (2) Pulley Coil Belt Kit, hi-tension lead	230914 B-230922 270952 231090 231149 231150 231278 231281 231446 238057	28861	Muffler Regulator	230410 270952	281123	Line, fuel Connector Clip Nipple Filter, fuel Muffler	X-386-22 X-380-1 210149 X-217-6 A-210101 230410
28733	Filter, fuel	A-220805	28882	Nipple Filter, fuel Strap, tank Tank	X-217-6 A-210101 A-234167 230164	281128	Stud, muffler (2) Muffler Gasket, muffler	230909 A-230943 231090
28737	Condenser Regulator Coil, ignition Kit, hi-tension lead	230722 270952 231281 238057	28895	Nipple Filter, fuel Strap, tank Tank	X-217-6 A-210101 A-234167 230164	281138	Nipple Muffler	X-218-24 230410
28745	Key, woodruff #91 Regulator Gasket, exhaust	X-42-11 270952 231090	28901	Gasket Gasket (2) Housing, blower Condenser Gasket Kit, hi-tension lead Coil, ignition Plug (2)	230057 230122 231804 230722 231090 238057 237256 X-75-5	281158	Nipple Nut, lock Muffler Elbow	X-218-24 AC-1536 230410 230600
28757	Filter, fuel Regulator	A-210101 270952	28905	Switch, start Regulator Switch, ignition	230442 270952 275713	281172	Nut Gasket Cleaner, air	X-276-7 AC-1787 151834
			28906	Regulator	270952			
			28937	Muffler	230410			
			28978	Regulator	A-220579			
			281009	Regulator	270952			

ACCESSORIES-CONTINUED

Spec No.	Description	Part No.	Spec No.	Description	Part No.	Spec No.	Description	Part No.
281174	Line, fuel Connector Clip Muffler	X-386-22 X-380-1 210149 230410	281203	Nipple Muffler	X-218-22 230410	281255	Nut, wing Gasket Cleaner, air	X-276-7 AC-1787 151834
281178	Muffler Gasket, muffler Screw, hex. hd. (2)	41 068 01 41 041 01 230175	281209	Nipple Nut, lock Muffler Elbow	X-218-24 AC-1536 230410 230600	281257	Nut, wing Gasket Cleaner, air	X-276-7 AC-1787 151834
281180	Nipple Muffler	K-122 230410	281210	Plate Switch Valve, fuel	220725 234690 220764	281260	Nut, wing Gasket Cleaner, air	X-276-7 AC-1787 151834
281182	Tube, oil fill Dipstick	234975 A-232857	281211	Tank - assembly	231747	281261	Nut, wing Gasket Cleaner, air	X-276-7 AC-1787 151834
281183	Nipple Muffler	X-218-22 230410	281212	Nut Gasket Cleaner, air	X-276-7 AC-1787 151834	281283	Strap, tank (2)	235371
281184	Nipple Nut, lock Muffler Elbow	X-218-24 AC-1536 230410 230600	281213	Regulator	A-220579	281284	Kit, hi-tension lead Condenser Coil, ignition	238057 230722 231281
281189	Nut Gasket Cleaner, air	X-276-7 AC-1787 151834	281231	Muffler	230410	281285	Valve, fuel Muffler Tank, fuel	220764 230410 231747
281194	Muffler	230410	281232	Nut Gasket Cleaner, air Gasket	X-276-7 AC-1787 151834 231090	281286	Nut, wing Gasket Cover Washer Elbow Base	X-276-7 220537 230839 231167 231492 231576
281195	Nipple Muffler	X-218-23 230410	281253	Gasket Muffler Base, air cleaner Element, air cleaner Cover, air cleaner	AC-1787 230410 231255 231847 231855	281294	Kit, hi-tension lead Condenser Coil, ignition	238057 230722 231281
281201	Muffler	230410	281254	Nut, wing Gasket Cleaner, air	X-276-7 AC-1787 151834			
281202	Muffler	230410						

GASKET SETS

K161 MODELS

<u>Description</u>	<u>Part No.</u>	<u>Description</u>	<u>Part No.</u>
Gasket Set (Without Seals)	41 004 01	Gasket Set (With Seals)	41 755 06
Set Includes:		Set Includes:	
Gasket, air cleaner	AC-1787	Seal, front oil	X-583-1
Gasket, carburetor (2)	210223	Seal, rear oil	X-583-2
Gasket, breaker cover	220174	Gasket, air cleaner	AC-1787
Gasket, air horn	220537	Gasket, carburetor (2)	210223
Seal, breather	230046	Gasket, breaker cover	220174
Gasket, valve cover (2)	230048	Gasket, air horn	220537
Gasket, bearing plate	230071	Seal, breather	230046
Shim (5)	230112	Gasket, valve cover (2)	230048
Gasket, exhaust	231090	Gasket, bearing plate	230071
Gasket, exhaust	41 041 01	Shim (5)	230112
Gasket, oil pan	41 041 03	Gasket, muffler	231090
Gasket, air cleaner	41 041 04	Gasket, exhaust	41 041 01
Gasket, cylinder head	41 041 05	Gasket, oil pan	41 041 03
Gasket, fuel pump	47 041 04	Gasket, air cleaner	41 041 04
		Gasket, cylinder head	41 041 05
		Gasket, fuel pump	47 041 04

L161 MODELS

<u>Description</u>	<u>Part No.</u>	<u>Description</u>	<u>Part No.</u>
Gasket Set (Without Seals)	41 004 02	Gasket Set (With Seals)	41 755 07
Set Includes:		Set Includes:	
Gasket, carburetor (2)	210223	Seal, front oil	X-583-1
Gasket, breaker cover	220174	Seal, rear oil	X-583-2
Gasket, air horn	220537	Gasket, carburetor (2)	210223
Seal, breather	230046	Gasket, sediment bowl	210468
Gasket, bearing plate	230071	Gasket, breaker cover	220174
Gasket, valve cover (2)	230048	Gasket, air horn	220537
Gasket, cylinder head	230452	Seal, breather	230046
Gasket, exhaust	230122	Gasket, valve cover (2)	230048
Gasket, flange	230572	Gasket, bearing plate	230071
Gasket, inlet elbow	230593	Gasket, muffler	230122
Gasket, exhaust	231090	Gasket, cylinder head	230452
Gasket, air horn	232754	Washer, relief valve	230569
Gasket, exhaust	41 041 01	Gasket, flange	230572
Gasket, oil pan	41 041 03	Gasket, inlet elbow	230593
Gasket, fuel pump	47 041 04	Gasket, exhaust	231090
		Gasket, air horn	232754
		Gasket, choke	240285
		Gasket, exhaust	41 041 01
		Gasket, oil pan	41 041 03
		Gasket, fuel pump	47 041 04

KOHLER engines

ENGINE DIVISION, KOHLER CO., KOHLER, WISCONSIN 53044