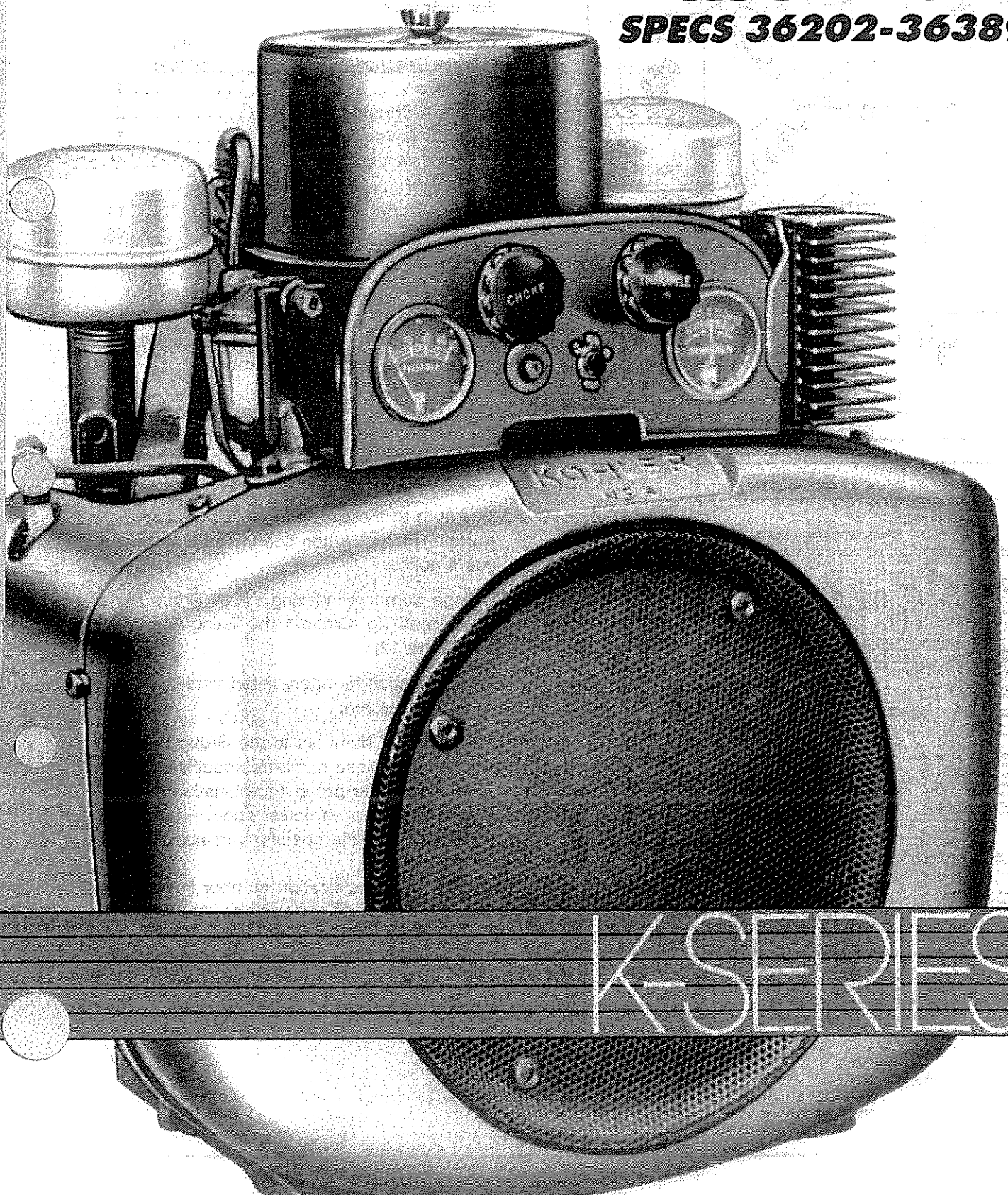


KOHLERengines

PARTS MANUAL

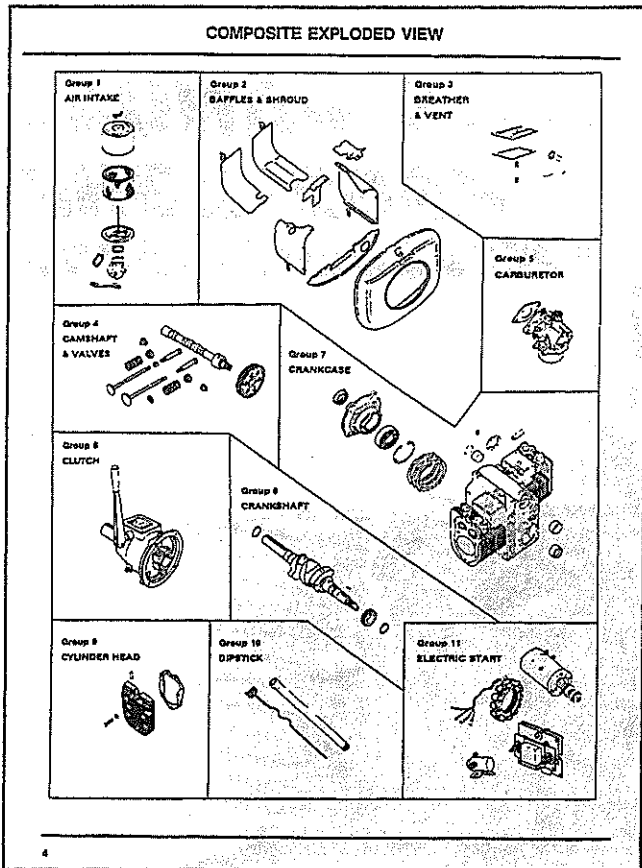
K582-23HP

SPECS 36202-36389



KSERIES

HOW TO FIND PART NUMBERS



1. Turn the page of the parts manual to the "Composite Exploded View." Notice the boxed groupings identified by their function along with a corresponding number. The group function and number applies to all engine models.

For example:

Function (Group Description)	Group Number
Air Intake	1
Baffles & Shroud	2
Breather & Vent	3
Camshaft & Valves	4
Carburetor	5
Electric Starter	11
Ignition	18
etc.	

Remember the Group Number in which you located your part. (If the part you need is not illustrated, locate a major engine function related to your part and use that Group Number.)

Example: You need an air cleaner cover for K582, specification 36202. The air cleaner is found in Group 1.

2. Now turn to the pages titled "Specification Number Index." When scanning these pages, you'll notice;

- A. Page Numbers indexing where Group Parts are listed (for Group 1 the listing begins on page 12);
- B. Specification Numbers listed vertically down the first column;
- C. "Variation" Numbers in the Group Number columns. (These numbers specifically identify a particular group (combination) of parts used in a particular spec. - and are used to locate the specific part numbers.)

Locate your specification number in the first column. Go across the page to the Group Number column for your part. Jot down the Variation Number found in that column. For our example (spec. 36202), the variation number under Group 1 is "6".

SPECIFICATION NUMBER INDEX

Group Title & Number	Variation Number														Page No.	Grid No.
	1	2	3	4	5	6	7	8	9	10	11	12	13	14		
AIR INTAKE	12	13	14	15	16	17	18	19	20	21	22	23	24	25	12	A12
BAFFLES & SHROUD	26	27	28	29	30	31	32	33	34	35	36	37	38	39	15	B1
BREATHER & VENT	40	41	42	43	44	45	46	47	48	49	50	51	52	53		
CAMSHAFT & VALVES	54	55	56	57	58	59	60	61	62	63	64	65	66	67		
CARBURETOR	68	69	70	71	72	73	74	75	76	77	78	79	80	81		
CLUTCH	82	83	84	85	86	87	88	89	90	91	92	93	94	95		
CRANKCASE	96	97	98	99	100	101	102	103	104	105	106	107	108	109		
CRANKSHAFT	110	111	112	113	114	115	116	117	118	119	120	121	122	123		
CYLINDER HEAD	124	125	126	127	128	129	130	131	132	133	134	135	136	137		
DIPSTICK	138	139	140	141	142	143	144	145	146	147	148	149	150	151		
ELECTRIC START	152	153	154	155	156	157	158	159	160	161	162	163	164	165		
FLYWHEEL	166	167	168	169	170	171	172	173	174	175	176	177	178	179		
FUEL PUMP	180	181	182	183	184	185	186	187	188	189	190	191	192	193		

CONTACT Your KAWASU engine PARTS SUPPLIER for any specification not listed. For Assistance, CONTACT SHOWA, KAWASU SERVICE ENGINEER refer to Selection Guide TP-2012.

HOW TO FIND PART NUMBERS

K582

**Group 1
AIR INTAKE**

Note: For additional Air Intake components, see page 14.

Index Number	Description	Variation Number	Part Number	Index Number	Description	Variation Number	Part Number
1	Nut, wing 1/4"-20 5, 6, 17, 32, 33, 41, 42, 51, 57, 58, 59, 61, 501, 503, 505, 507, 508, 509		X-278-7	4	Borew, self-tapping 10-32 x 7/16" (4) (Use before serial no. 11002740)		510
1	Nut, wing 1/4"-20 (Use before serial no. 11002740)		X-278-7	7	Base, air cleaner 5, 6, 17, 32, 42, 51, 57, 58, 503, 507, 509		X-67-64 27701
2	Cover, air cleaner 5, 6, 17, 32, 42, 51, 57, 58, 503, 506, 507, 508		277142	8	Outlet, air cleaner 5, 6, 17, 32, 33, 41, 42, 51, 57, 58, 59, 61, 501, 503, 505, 507, 508, 509		277063
3	Element, pre-cleaner 17, 42, 51		277043	9	Crankst, air cleaner (Use before serial no. 11002740)		277061
4	Element, air cleaner 5, 6, 17, 32, 42, 51, 57, 58, 503, 507		277142	10	Kit, elbow (Includes 8 Qty. 4, 10, 11)		48 764 01
5	Borew, P.H.M., 10-32 x 7/16" (4) 5, 6, 17, 32, 33, 41, 42, 51, 57, 58, 59, 61, 501, 503, 505, 507, 508, 509		X-167-2	11	Kit, elbow		
6	Borew, P.H.M., 10-32 x 7/16" (4)		X-167-2				

2 Cover, air cleaner
5, 6, 17, 32, 42, 51, 57, 58, 503
506, 507, 508 **277142**

3. Go to the page for your Group (page 12) and look at the illustrations to find the one most similar to the original part.

A. Each part in the illustration is identified with an index number or letter. Use that identifier to locate the part description in the listing.

B. Find your "Variation Number", from Step 2, immediately below the description.

C. The correct part number will be in the column to the right of your variation number.

For our example, the air cleaner cover that looks like the original is index number 2. Looking in the listing next to index 2, we find our Variation Number (6), is shown, so the correct part number is 277142.

Special Features

Near the end of the Parts Manual Binder is a separate section devoted to repair options for major damage. "Selection Guides" for each model engine give several different methods of repairing Kohler Engines . . . with the choice dependent on shop facilities, costs, and allowable downtime of the engine and/or equipment.

Selection guides are easy references for determining part numbers of Replacement Engines or Short Blocks. They also list part numbers of crankshafts installed in original engines.

Here is what you'll find:

- A. Engine model is identified on each page for easy reference;
- B. Bold column heads identify the various repower options for every engine spec;
- C. All crankshaft changes required for Replacement Engines are flagged with "Yes;"
- D. Replacement Engines and Short Blocks.

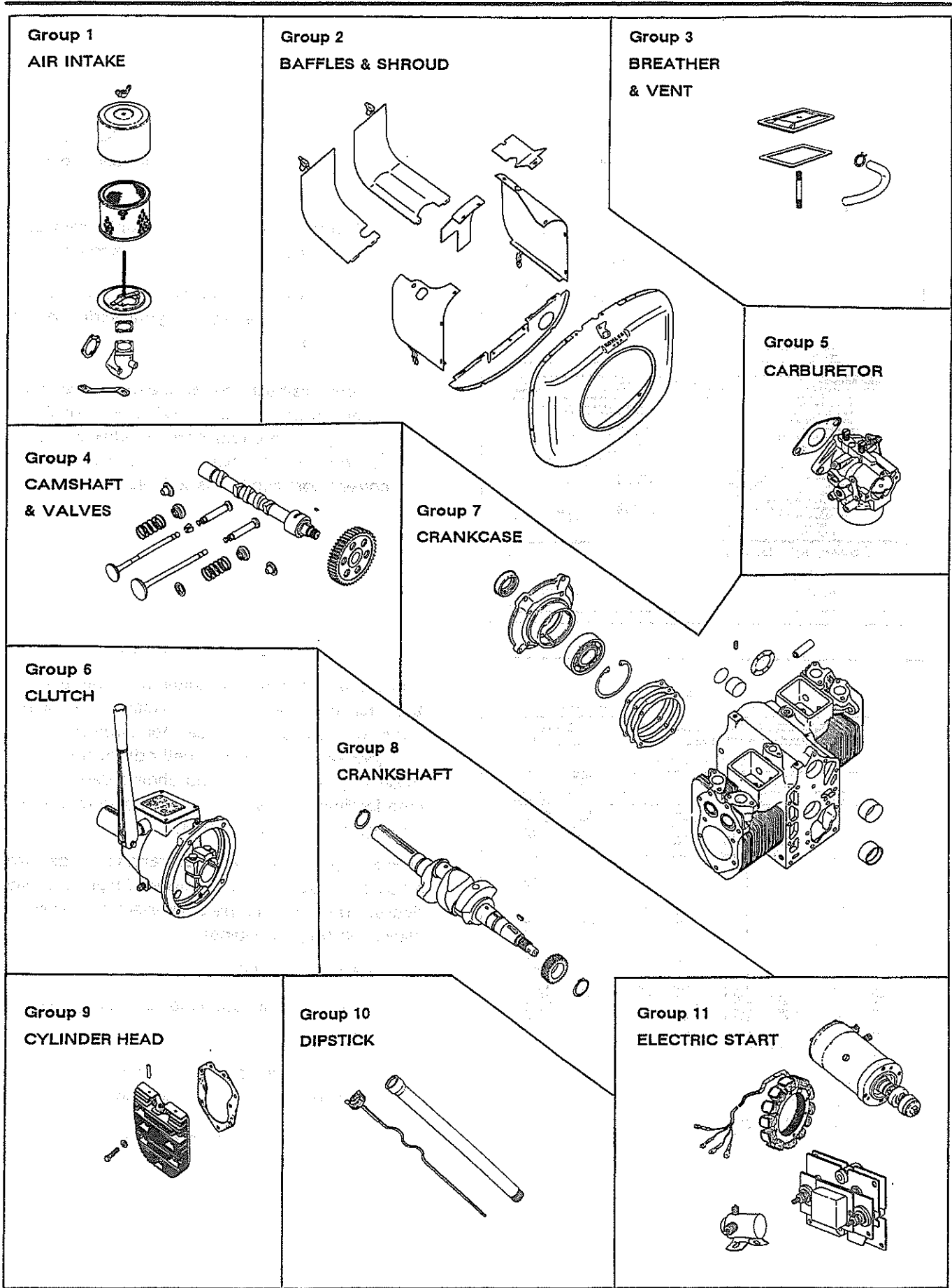
K582

Locate the engine specification number in the index below. Select the part number of the repair method listed in the adjacent column.

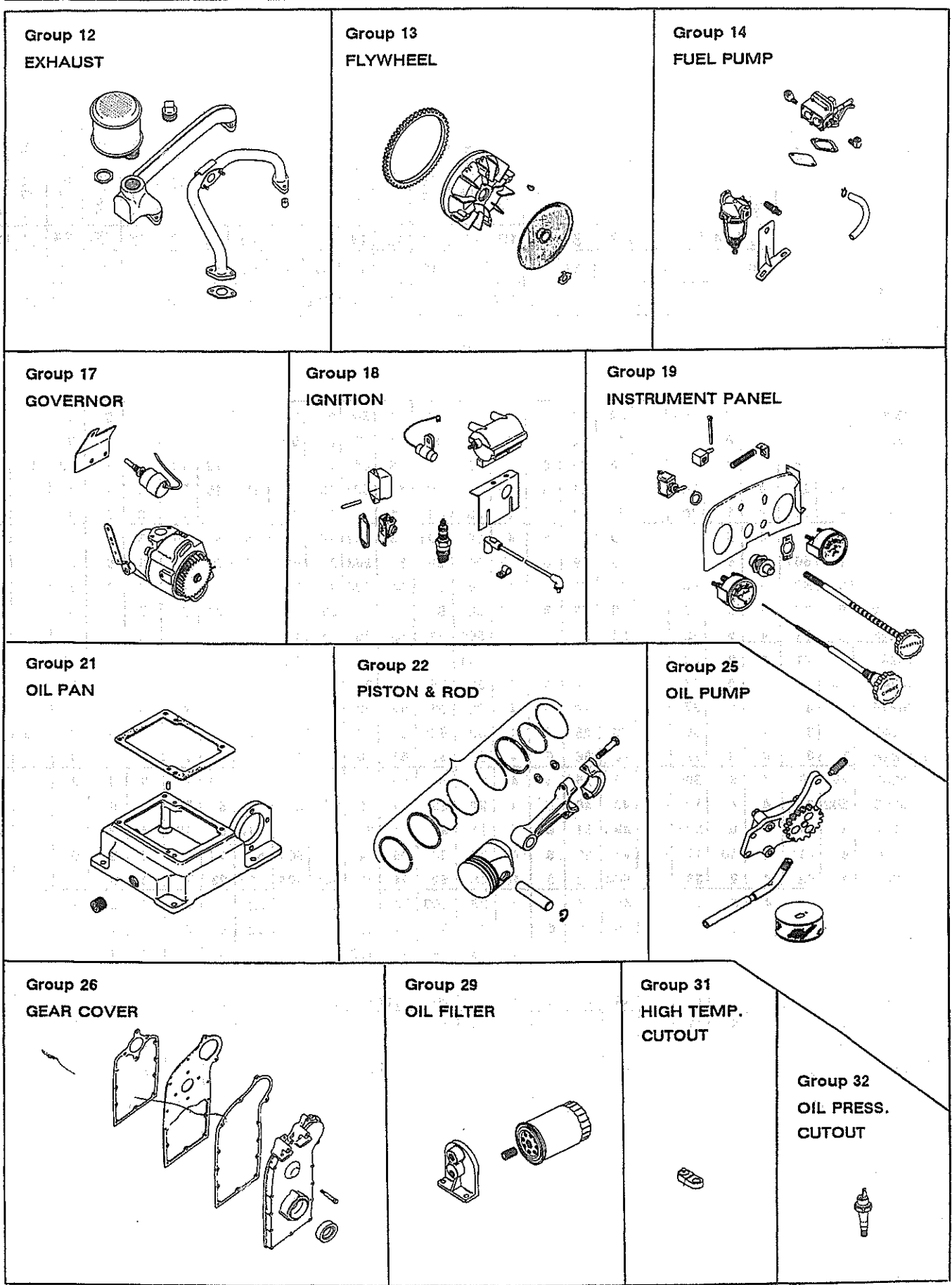
K582 ENGINE SPECIFICATIONS									
Engine Spec No.	Replacement Engine	Original Crankshaft No.	Replac. Short Block	Engine Spec No.	Replacement Engine	Original Crankshaft No.	Replac. Short Block	Engine Spec No.	Replacement Engine
34301	-	277824	48 522 14	34308	34302 ¹	277824	48 522 18	34315	-
34302 ¹	34302 ¹	277824	48 522 14	34309	-	48 014 18	48 522 27	34316	-
34308	-	48 014 02	48 522 18	34310	-	48 014 01	48 522 14	34317	-
34309	54206	48 014 11	48 522 20	34311	-	277890	48 522 32	34318	-
34324	-	277824	48 522 26	34312	-	48 014 14	48 522 18	34319	-
34321	34308	48 014 13	48 522 15	34313	34302 ¹	277824	48 522 14	34320	-
34324 ¹	-	277824	48 522 14	34319	-	48 014 14	48 522 18	34321	-
34327	34327	48 014 05	48 522 22	34319	34310	48 014 13	48 522 15	34322	-
34316	34302	277824	48 522 14	34312	-	48 014 01	48 522 14	34323	-
34342	34315	48 014 15	48 522 19	34315	-	48 014 14	48 522 31	34324	-
34343	34343	277824	48 522 14	34314	-	48 014 14	48 522 31	34325	-
34344	34344	277824	48 522 14	34315	34315	48 014 18	48 522 21	34326	-
34345	34302	277824	48 522 14	34316	34302 ¹	48 014 01	48 522 14	34327	-
34346	-	48 014 06	48 522 20	34317	-	48 014 14	48 522 18	34328	-
34347	-	277824	48 522 14	34320	-	48 014 01	48 522 14	34329	-
34348	-	48 014 19	48 522 29	34321	-	48 014 06	48 522 26	34330	-
34349	-	277824	48 522 14	34324	-	48 014 01	48 522 14	34331	-
34350	-	48 014 06	48 522 20	34325	-	277890	48 522 32	34332	-
34352	-	277824	48 522 14	34326	-	48 014 14	48 522 18	34333	-
34358	-	48 014 02	48 522 33	34327	-	48 014 06	48 522 24	34334	-
34361	34315	48 014 15	48 522 19	34328	34326	277850	48 522 23	34335	-
34362	-	48 014 14	48 522 19	34331	34331	48 014 02	48 522 33	34336	-
34363	34343	277824	48 522 14	34333	-	48 014 01	48 522 14	34337	-
34364	-	277824	48 522 14	34337	-	48 014 01	48 522 14	34338	-
34369	34302 ¹	277824	48 522 14	34338	-	48 014 01	48 522 14	34339	34342
34366	-	48 014 14	48 522 18	34339	34342	277890	48 522 25	34340	34302
34370	-	48 014 06	48 522 20	34340	34302	48 014 01	48 522 14	34341	34342
34371	-	48 014 06	48 522 20	34342	34342	48 014 05	48 522 16	34343	34343
34372	34328	277850	48 522 23	34343	34343	277890	48 522 25	34344	-
34373	34315	48 014 15	48 522 21	34344	-	48 014 01	48 522 14	34345	-
34374	-	277824	48 522 14	34345	-	48 014 14	48 522 31	34346	-
34375	34302 ¹	277824	48 522 14	34346	-	48 014 01	48 522 14	34347	-
34377	-	277824	48 522 24	34347	-	48 014 14	48 522 18	34348	-
34378	-	48 014 05	48 522 22	34348	-	48 014 01	48 522 14	34349	34302 ¹
34381	34302 ¹	277824	48 522 14	34349	34302 ¹	48 014 01	48 522 14	34350	34371
34382	-	277824	48 522 14	34350	34371	48 014 06	48 522 26	34351	-
34386	-	277890	48 522 16	34352	-	48 014 01	48 522 14	34352	34302 ¹
34389	-	277890	48 522 16	34354	-	48 014 01	48 522 14	34355	-
34391	-	277890	48 522 16	34356	-	48 014 10	48 522 27	34357	-
34392	-	277890	48 522 16	34357	-	48 014 10	48 522 27	34358	-
34393	-	277890	48 522 16	34358	-	48 014 01	48 522 14	34359	-
34394	-	48 014 05	48 522 20	34359	-	48 014 01	48 522 14	34360	-
34397	34327	48 014 18	48 522 25	34360	-	277890	48 522 32		

¹Basic Engine All Short Blocks include an overhaul gasket set.

COMPOSITE EXPLODED VIEW



COMPOSITE EXPLODED VIEW



SPECIFICATION NUMBER INDEX

Group Title & Number	AIR INTAKE	BAFFLES & SHROUD	BREATHER & VENT	CAMSHAFT & VALVES	CARBURETOR	CLUTCH	CRANKCASE	CRANKSHAFT	CYLINDER HEAD	DIPSTICK	ELECTRIC START	EXHAUST	FLYWHEEL	FUEL PUMP	GOVERNOR	IGNITION	INSTRUMENT PANEL	OIL PAN	PISTON & ROD	OIL PUMP	GEAR COVER	OIL FILTER	HIGH TEMP. CUTOUT	OIL PRESS. CUTOUT
	1	2	3	4	5	6	7	8	9	10	11	12	13	14	17	18	19	21	22	25	26	29	31	32
Page No.	12	15	20	21	22	31	33	36	37	38	40	43	46	48	54	57	61	64	66	67	68	69	70	70
Grid No.	A12	B1	B6	B7	B8	C3	C5	C8	C9	C10	C12	D1	D4	D6	D12	E1	E5	E8	E10	E11	E12	E13	E14	E14

Spec. No. _____ Variation Number _____

36202	6	57	4	8	501		49	31	6	4	26	37	54	50	2	32	22	5	10	3	9	3		
36205	17	33	4	8	17		41	32	6	4	32	48	44	22	2	501	5	16	7	3	9	3		
36206	8	46	4	9	17		53	41	9	4	47	65	59	34	2	502	5	18	10	3	5	10	1	
36224	501	27	4	9	502		38	31	8	10	26	39	54	501	15	29	18	15	7	3	9	3		3
36231	8	31	9	9	30		46	53	6	4	53	34	41	4	19	28		17	7	3	9	9		
36234	17	3	4	9	17		49	31	6	4	26	501	73	502	17	503	25	5	10	3	9	8		501
36237	9	501	4	8	17		49	39	6	10	26	29	54	503	2	51	502	20	10	3	9	3		
36240	6	57	4	8	501		49	31	6	4	26	37	54	504	2	52	23	5	10	3	9	3		
36242	8	38	4	9	17		50	52	8	10	36	52	54	31	501	504	512	23	7	7	9	3		7
36243	8	21	4	9	32		51	31	6	5	501	42	66	16	19	12	5	13	10	3	5	10		
36244		21	8	9	503		51	31	7	5	501	33	66	4	13	12	5	13	10	3	5	10		
36245	35	3	4	8	17		27	25	6	4	32	34	64	30	2	32	503	5	7	3	9	3		
36246	6	3	4	9	37		53	40	6	4	32	61	54	42	16	38		5	7	3	9	8		
36247	6	3	4	8	38		503	25	6	4	32	502	64	505	2	32	509	5	7	3	9	3		501
36248	6	3	4	8	17		43	56	6	4	26	37	54	30	2	32	22	5	7	3	9	3		
36249	40	37	4	9	506		27	25	6	4	11	60	55	33	2	37		16	7	3	9	9		
36250	503	3	4	8	17		49	40	6	4	26	29	54	30	2	32	22	5	7	3	9	3		
36252	6	57	4	8	501		49	31	6	4	26	9	54	506	2	32	510	5	10	3	9	3		1
36260	8	41	4	501	17		41	32	6	4	32	48	68	34	2	501	5	16	7	3	9	9		
36261	8	42	4	9	33		504	52	8	10	36	52	54	31	501	504	512	23	7	3	9	3		7
36263	17	3	4	8	17		49	25	6	4	26	503	54	30	2	32	22	5	7	3	9	3		
36264	17	3	4	8	17		55	25	6		26	37	61	30	2	32	22	5	7	3	10	3		
36266	35	57	4	8	50		27	31	6	4	26	34	54	507	2	51	5	5	10	3	9	3		
36268	41	36	4	9	34		47	54	8	11	41	55	41	39	16	507		19	7	6	9	8		5
36270	504	3	4	8	17		49	40	6	4	50	29	501	30	2	506	22	5	7	3	9	3		
36271	8	3	4	8	17		49	40	6	4	26	46	502	30	2	32	22	5	7	3	9	3		
36272	505	44	4	8	17		27	24	6	8	502	23	45	34	2	42	18	5	7	3	9	501		
36273	8	42	4	9	17		54	56	8	10	36	52	54	43	501	40	18	15	7	3	9	3		
36274	6	57	4	8	501		68	31	6	4	26	25	54	506	2	51	504	5	10	3	9	3		
36275	42	3	4	8	17		27	25	6	4	51	37	54	4	2	508		5	7	3	9	8		
36277	8	27	4	9	29		38	25	8	10	39	39	54	34	15	29	18	15	7	3	9	3		3
36278	32	3	4	8	17		49	39	6	12	56	29	64	4	2	509		18	7	3	9	3		
36281	506	3	4	8	17		27	31	6	4	55	37	54	4	2	510		5	7	3	9	8		
36282	40	37	4	9	17		27	25	6	4	52	60	55	508	2	37		16	7	3	9	9		
36285	8	31	9	9	39		46	53	6	4	26	34	41	34	19	28		17	10	3	9	10		

SPECIFICATION NUMBER INDEX

Group Title & Number	AIR INTAKE	BAFFLES & SHROUD	BREATHER & VENT	CAMSHAFT & VALVES	CARBURETOR	CLUTCH	CRANKCASE	CRANKSHAFT	CYLINDER HEAD	DIPSTICK	ELECTRIC START	EXHAUST	FLYWHEEL	FUEL PUMP	GOVERNOR	IGNITION	INSTRUMENT PANEL	OIL PAN	PISTON & ROD	OIL PUMP	GEAR COVER	OIL FILTER	HIGH TEMP. CUTOUT	OIL PRESS. CUTOUT
	1	2	3	4	5	6	7	8	9	10	11	12	13	14	17	18	19	21	22	25	26	29	31	32
Page No.	12	15	20	21	22	31	33	36	37	38	40	43	46	48	54	57	61	64	66	67	68	69	70	70
Grid No.	A12	B1	B6	B7	B8	C3	C5	C8	C9	C10	C12	D1	D4	D6	D12	E1	E5	E8	E10	E11	E12	E13	E14	E14

Spec. No.

Variation Number

36286	5	5	4	9	22		39	30	9	4		42	52	23	16	510		14	7	5	9	8	1	502
36288	511	5	5	9	26		39	30	9	4		42	52	10	16	510		14	7	5	9	8	1	502
36290	511	5	5	9	27		39	30	9	4		42	52	4	16	510		14	7	5	9	8	1	502
36291	511	28	5	9	27		39	30	9	4		42	49	4	16	510		14	7	5	9	8	1	502
36292	511	30	5	9	27		39	30	9	4		49	49	4	16	510		14	7	5	9	8	1	502
36293	5	30	4	9	22		39	30	9	4		49	49	23	16	510		14	7	5	9	8	1	502
36294	510	27	4	8	17		38	39	8	10	39	508	505	513	2	43	18	15	7	3	9	3		
36297	8	46	4	9	17		57	58	9	4	26	65	72	34	501	55	5	18	10	3	5	10	1	
36298	8	3	4	8	17		49	31	6	4	26	34	54	30	2	32	22	5	7	3	9	3		
36299		37	8	502	507		57	58	11	4	58	66	72	4	23	12		18	7	3	5	9	1	
36300	40	45	4	9	17		27	25	6	4	57	60	55	36	2	37		26	7	3	9	9		
36303	8	3	4	8	17		49	29	6	4	32	46	61	31	2	32		5	7	3	9	3		
36305	41	36	4	9	41		62	54	8	14	41	55	41	39	16	507		19	7	6	9	8		5
36306	17	3	4	8	17		49	31	6	4	32	34	61	30	2	32		5	7	3	9	3		
36309	41	36	4	9	42		62	54	8	14	41	55	41	39	25	507		19	7	6	9	8		5
36310	8	46	9	9	39		65	53	6		47	9	66	44	2	56		28	10	3	9	10		
36312	6	3	4	8	17		49	31	6	4	26	9	64	30	2	32	22	5	7	3	9	3		
36313	511	50	5	9	26		59	54	9	4	503	68	54	10	16	514		5	7	3	9	8	1	10
36314	511	47	5	9	26		59	54	9	4	503	68	74	10	16	58		5	7	3	9	8	1	10
36315	8	42	4	9	43		54	56	8	10	21	52	54	4	24	40	18	15	10	3	9	3		
36316	8	57	4	9	49		66	31	6	501	26	34	504	506	2	32	22	5	10	3	9	3		
36317	41	43	4	9	42		62	54	8	14	49	55	70	39	25	35		19	7	6	9	8		5
36320	51	3	4	8	17		68	31	6	502	32	9	54	512	502	32		5	7	3	9	3		
36321	41	36	4	9	42		47	54	8	11	41	55	78	39	25	35		19	7	6	9	8		5
36324	17	502	4	8	17		68	31	6	4	32	25	61	30	27	32	507	5	7	3	9	503		
36325	507	7	4	8	17		68	29	6	4	32	9	61	31	501	32		5	7	3	9	6		
36326	41	43	4	9	42		47	54	8	11	49	55	70	39	25	35		19	7	6	9	8		5
36327	6	50	4	9	37		53	40	6	4	26	504	54	34	16	62		5	7	3	9	8		
36328	509	3	4	8	17		27	24	6	8	502	23	45	34	2	42	18	5	10	3	9	501		
36331	6	57	4	9	49	1	69	32	6	4	26	19	29	512	2	52	23	5	10	3	9	3		
36333	6	7	4	8	17		49	31	6	4	26	19	61	34	2	32	22	5	7	3	9	6		
36337	51	50	4	8	505		71	31	6	15	26	9	54	509	26	51	5	29	10	3	9	3		
36338	6	3	4	8	17		74	31	6	10	26	70	81	509	19	515	509	30	7	3	9	3		3
36339	33	51	4	9	17		38	29	8	10	68	39	77	4	501	511	18	15	7	3	9	3		
36340	17	57	4	9	501		49	31	6	4	26	37	54	506	2	32	22	5	10	3	9	3		

SPECIFICATION NUMBER INDEX

Group Title & Number	AIR INTAKE	BAFFLES & SHROUD	BREATHER & VENT	CAMSHAFT & VALVES	CARBURETOR	CLUTCH	CRANKCASE	CRANKSHAFT	CYLINDER HEAD	DIPSTICK	ELECTRIC START	EXHAUST	FLYWHEEL	FUEL PUMP	GOVERNOR	IGNITION	INSTRUMENT PANEL	OIL PAN	PISTON & ROD	OIL PUMP	GEAR COVER	OIL FILTER	HIGH TEMP. CUTOUT	OIL PRESS. CUTOUT
	1	2	3	4	5	6	7	8	9	10	11	12	13	14	17	18	19	21	22	25	26	29	31	32
Page No.	12	15	20	21	22	31	33	36	37	38	40	43	46	48	54	57	61	64	66	67	68	69	70	70
Grid No.	A12	B1	B6	B7	B8	C3	C5	C8	C9	C10	C12	D1	D4	D6	D12	E1	E5	E8	E10	E11	E12	E13	E14	E14

Spec. No.

Variation Number

36342	45	27	10	8	29		72	39	8	9	65	64	41	4	22	47	18	15	10	3	9	11		
36343	8	51	4	9	17		38	29	8	10	68	39	77	4	501	57	18	15	10	3	9	3		
36344	8	50	4	8	17		49	31	6	4	32	59	54	30	2	46	5	5	7	3	9	3		
36345	41	47	4	10	42		59	54	8	11	49	69	74	4	25	35		19	7	6	9	8		5
36346	6	3	4	9	17		49	31	6	4	58	25	73	30	2	32	5	5	7	3	9	3		
36347	41	43	4	10	42		47	54	8	11	49	55	70	4	25	35		19	7	6	9	8		5
36348	17	50	4	8	17		73	31	6	4	26	7	79	30	2	16	23	5	7	3	9	3		
36349	6	57	4	8	501		49	31	6	4	26	37	54	506	2	32	22	5	10	3	9	3		
36350	55	56	11	10	47		74	54	12	16	69	71	80	4	28	48		31	7	6	11	12		11
36352	8	21	4	9	48		51	31	6	5	21	42	66	4	19	12	5	13	7	3	5	10		
36353	6	57	4	8	501		49	31	6	4	26	7	54	506	2	32	22	5	10	3	9	3		
36354	6	50	4	8	17		75	31	6	4	61	68	82	30	2	512	5	5	7	3	9	3		
36355	6	50	4	8	17		49	31	6	4	71	505	54	46	2	513	505	5	7	3	9	3		
36356	17	50	4	8	17		76	56	6	4	26	25	61	30	29	51	5		7	3	9	3		1
36357	17	55	4	8	17		77	56	6	4	26	25	54	511	29	51		5	10	3	9	10		10
36358	6	3	4	8	17		49	31	6	4	26	72	82	30	2	60	22	5	10	3	9	3		
36359	6	7	4	8	17		49	31	6	4	26	19	61	34	29	50	5	5	10	3	9	6		10
36360	6	50	4	8	17		68	29	6	4	26	73	54	30	2	50	5	5	7	3	9	3		
36361	508	60	4	8	49		49	31	6	4	26	74	54	49	2	52	23	5	7	3	9	3		
36362	8	57	4	8	49		68	29	6	4	26	82	503	50	29	69	508	5	10	3	9	3		
36365	6	57	4	8	49		49	31	6	4	26	29	54	49	2	32	510	5	7	3	9	3		1
36366	8	57	4	9	49	1	69	32	6	4	26	19	29	50	2	52	23	5	10	3	9	3		
36367	58	57	4	8	49		49	31	6	4	26	37	54	50	2	32	22	5	10	3	9	3		
36368	57	57	4	8	49		78	501	6	15	26	76	54	49	2	52	23	29	7	3	9	3		
36369	6	57	4	8	49		49	31	6	4	26	37	54	50	2	52	23	5	10	3	9	3		
36370	57	50	4	8	51		68	31	6	4	26	65	54	4	29	50	506	5	10	3	9	502		
36371	55	56	11	10	52		74	54	12	16	69	77	80	4	30	48		31	10	6	11	12		11
36372	17	55	4	8	17		79	56	6	4	26	25	83	510	29	51		5	10	3	9	10		10
36373	511	50	5	9	53		59	54	9	4	21	78	54	10	31	65		5	10	3	501	8	1	10
36374	511	47	5	9	53		59	54	9	4	21	78	74	10	31	64		5	10	3	501	8	1	10
36376	55	56	11	10	55		74	54	12	16	69	77	80	4	30	48		31	10	6	11	12		11
36377	6	57	4	8	49		81	56	6	4	26	37	54	50	2	32	22	5	10	3	9	3		
36380	6	57	4	8	49		68	31	6	4	26	79	54	50	29	50	5	5	10	3	9	3		
36381	6	62	4	8	17		49	31	9	4	26	80	73	52	33	66	29	5	10	3	501	3	1	13
36382	55	56	11	10	55		74	54	12	16	69	77	80	4	30	48		32	10	6	11	12		11

SPECIFICATION NUMBER INDEX

Group Title & Number	AIR INTAKE	BAFFLES & SHROUD	BREATHER & VENT	CAMSHAFT & VALVES	CARBURETOR	CLUTCH	CRANKCASE	CRANKSHAFT	CYLINDER HEAD	DIPSTICK	ELECTRIC START	EXHAUST	FLYWHEEL	FUEL PUMP	GOVERNOR	IGNITION	INSTRUMENT PANEL	OIL PAN	PISTON & ROD	OIL PUMP	GEAR COVER	OIL FILTER	HIGH TEMP. CUTOUT	OIL PRESS. CUTOUT
	1	2	3	4	5	6	7	8	9	10	11	12	13	14	17	18	19	21	22	25	26	29	31	32
Page No.	12	15	20	21	22	31	33	36	37	38	40	43	46	48	54	57	61	64	66	67	68	69	70	70
Grid No.	A12	B1	B6	B7	B8	C3	C5	C8	C9	C10	C12	D1	D4	D6	D12	E1	E5	E8	E10	E11	E12	E13	E14	E14

Spec. No.

Variation Number

36383	6	57	4	8	49		49	31	6	4	26	81	54	50	2	32	22	5	10	3	9	3		10
36384	59	57	4	8	49		49	31	6	4	26	37	54	50	2	52	511	5	10	3	9	3		1
36385	507	57	4	8	49		71	39	6	15	26	25	54	50	19	67	5	29	10	3	9	3		
36386	57	57	4	8	49		78	39	6	15	26	76	54	50	19	68	30	29	10	3	9	3		
36387	6	57	4	8	49		49	31	6	4	26	506	54	50	2	52	23	5	10	3	9	3		
36388	61	57	4	10	49		66	61	9	4	21	73	54	50	29	50	5	5	10	3	9	3	1	11
36389		63	12	10	56		84	54	12	16	69	83	85	4	503	70		34	10	6	13	13		11

GENERATOR TO ENGINE SPECIFICATION CROSS REFERENCE

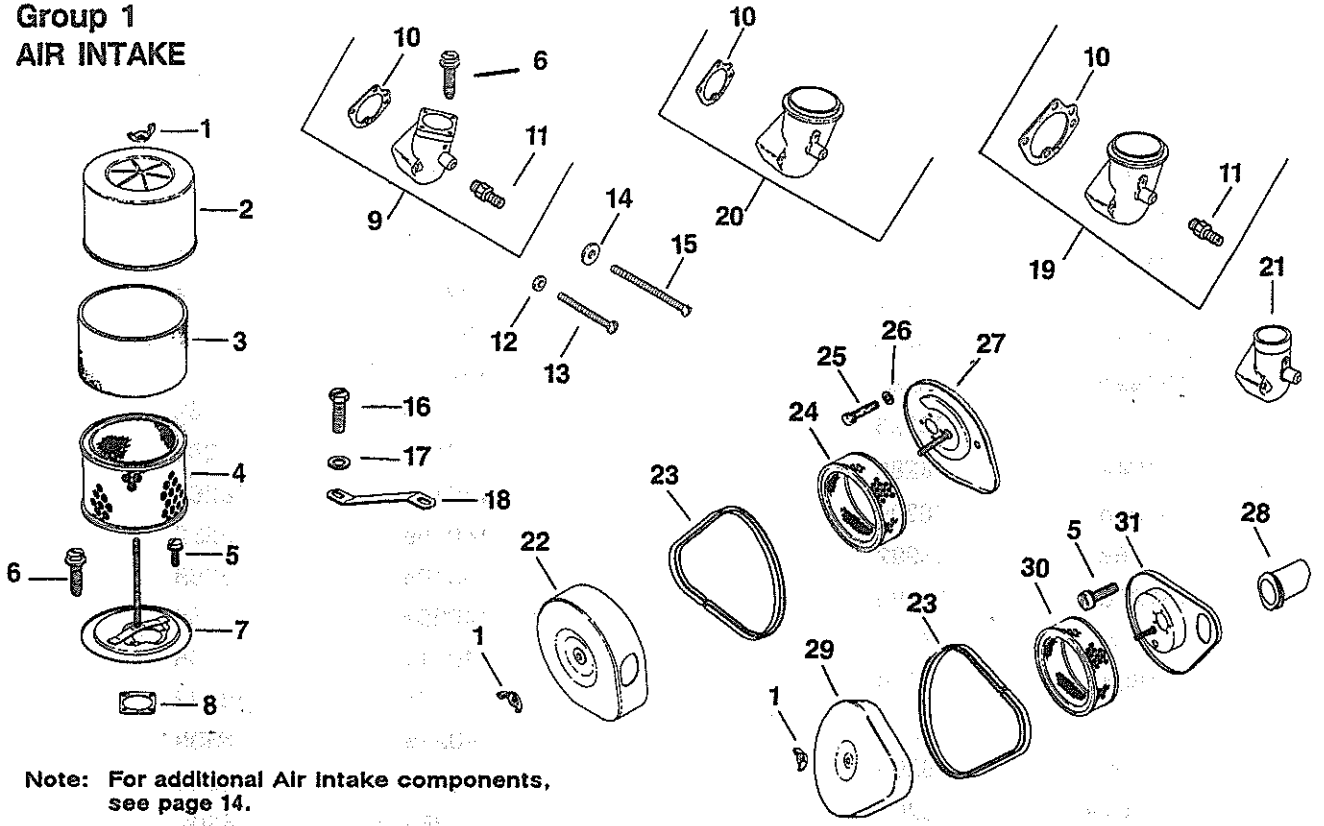
This cross reference provides the engine specification number when only the generator set specification number is available.

<u>Gen. Spec.</u>	<u>Eng. Spec.</u>	<u>Gen. Spec.</u>	<u>Eng. Spec.</u>
13102a	36210	13142a	36230
13103a	36211	13143a	36218
13104a	36210	13144a	36226
13105a	36210	13145a	36230
13106a	36215	13146a	36210
13107a	36215	13147a	36210
13108a	36217	13148a	36214
13109a	36217	13149a	36217
13110a	36230	13151a	36286
13111a	36219	13152a	36286
13112a	36215	13153a	36291
13113a	36217	13154a	36286
13114a	36214	13155a	36287
13115a	36230	13156a	36293
13116a	36219	13157a	36288
13117a	36214	13158a	36289
13118a	36218	13159a	36290
13119a	36216	13160a	36291
13120a	36218	13161a	36287
13121a	36216	13162a	36286
13122a	36214	13163a	36287
13123a	36218	13164a	36293
13124a	36212	13165a	36288
13125a	36226	13166a	36289
13126a	36225	13167a	36296
13127a	36227	13168a	36290
13128a	36226	13169a	36291
13129a	36225	13170a	36292
13130a	36227	13171a	36286
13131a	36226	13172a	36287
13132a	36225	13173a	36293
13133a	36227	13174a	36288
13134a	36214	13175a	36289
13135a	36230	13176a	36290
13136a	36226	13177a	36291
13137a	36210	13178a	36292
13138a	36230	13179a	36292
13139a	36218	13180a	36286
13140a	36230	13181a	36286
13141a	36230	13182a	36288
		13183a	36292

GENERATOR TO ENGINE SPECIFICATION CROSS REFERENCE

<u>Gen. Spec.</u>	<u>Eng. Spec.</u>	<u>Gen. Spec.</u>	<u>Eng. Spec.</u>
13184a	36286	14006a	36232
13185a	36287	14007a	36232
13186a	36288	14008a	36232
13187a	36290	14009a	36232
13188a	36289	14010a	36232
13189a	36291	14011a	36232
13190a	36292	14012a	36262
13191a	36286	14013a	36262
13192a	36287	14014a	36262
13193a	36293	14015a	36262
13194a	36288	14016a	36262
13195a	36290	14017a	36262
13196a	36292	14018a	36232
13197a	36293	14019a	36268
13198a	36291	14020a	36268
13199a	36296	14021a	36268
		14022a	36309
		14023a	36309
131100a	36290	14024a	36268
131101a	36293	14025a	36309
131102a	36289	14026a	36309
		14027a	36309
14000a	36232	14028a	36309
14001a	36232	14029a	36309
14002a	36232	14030a	36309
14003a	36232	14031a	36309
14004a	36232	14036a	36309
14005a	36232		

**Group 1
AIR INTAKE**

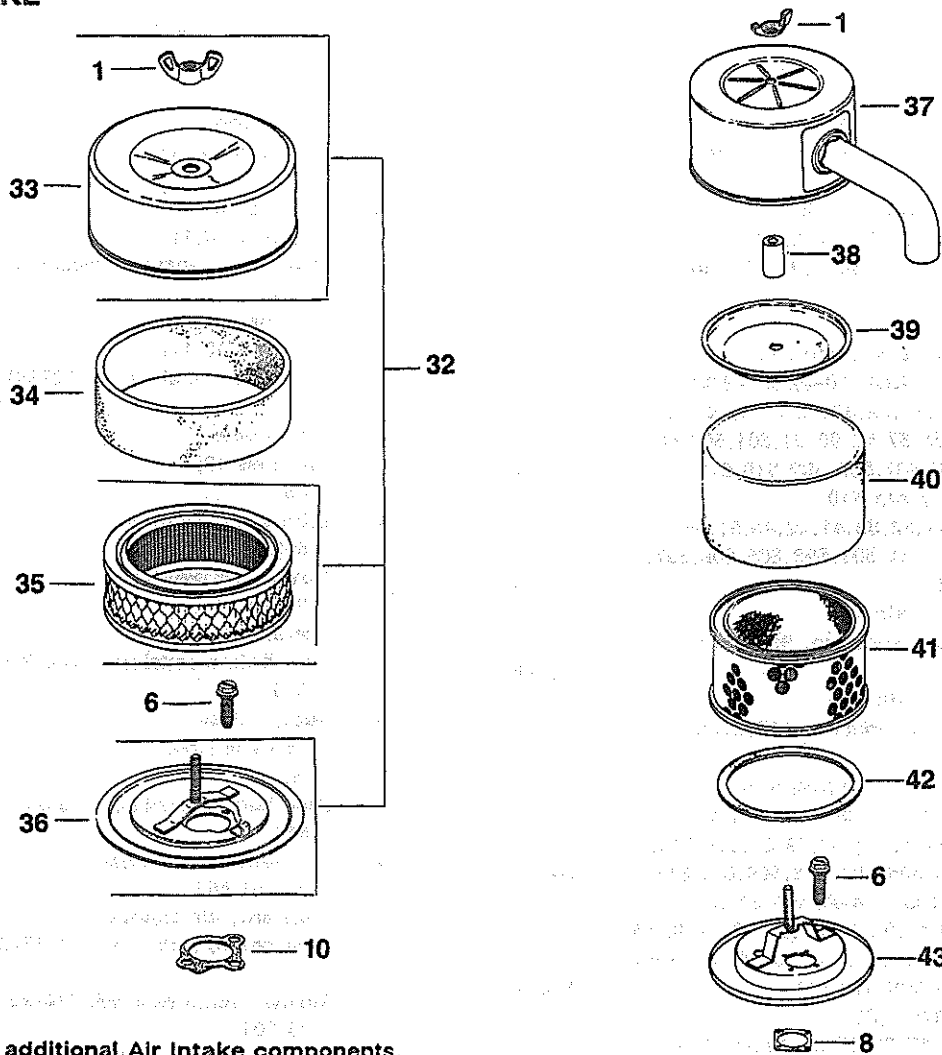


Note: For additional Air Intake components, see page 14.

Index Number	Description Variation Number	Part Number	Index Number	Description Variation Number	Part Number
1	Nut, wing 1/4"-20 5,6,17,32,33,41,42,51,57,58,59,61, 501,503,505,507,508,509	X-276-7	8	Gasket, air cleaner 5,6,17,32,33,41,42,51,57,58,59,61 501,503,505,507,508,509	277093
1	Nut, wing 1/4"-20 (Use before serial no. 11002740) 510	X-276-7	8	Gasket, air cleaner (Use before serial no. 11002740) 510	277093
2	Cover, air cleaner 5,6,17,32,42,51,57,58,503, 506,507,508	277142	9	Kit, elbow (Includes 6 [qty. 4],10,11) 5,6,17,32,33,41,42,51,57,58,59 61,501,503,505,507,508,509	48 754 01
3	Element, pre-cleaner 17,42,51	277593	9	Kit, elbow (Includes 6 [qty. 4],10,11) (Use before serial no. 11002740) 510	48 754 01
4	Element, air cleaner 5,6,17,32,42,51,57,58,503,507	277138	10	Gasket, elbow 5,6,8,9,17,32,33,35,37,40,41,42, 45,51,57,58,59,61,501,503,504,505, 507,508,509,510,511	25 041 06
5	Screw, F.H.M. 10-32 x 5/16" (4) 5,6,17,32,33,41,42,51,57,58,501, 503,505,507,508	X-167-2	10	Gasket, elbow 61	25 041 06
5	Screw, F.H.M. 10-32 x 5/16" (4) (Use before serial no. 11002740) 510	X-167-2	11	Connector, hose (straight) 5,6,8,9,17,32,33,35,40,41,51,55, 57,58,59,61,501,503,505,506,507, 508,509,511	48 155 04
6	Screw, self-tapping 10-32 x 7/16" (4) 5,6,17,32,33,41,42,51,57,58,59,61, 501,503,505,507,508,509	X-67-64	11	Connector, hose (straight) (Use before serial no. 9503398) 504	48 155 04
6	Screw, self-tapping 10-32 x 7/16" (4) (Use before serial no. 11002740) 510	X-67-64			
7	Base, air cleaner 5,6,17,32,42,51,57,58,503, 507,508	277071			

Index Number	Description Variation Number	Part Number	Index Number	Description Variation Number	Part Number
11	Connector, hose (straight) (Use before serial no. 11002740) 510	48 155 04	19	Kit, elbow (Includes 10,11) 9,37,511	48 754 05
12	Washer, lock #10 (2) 5,6,8,17,32,33,41,42,45,51,55,57, 58,59,61,501,503,505,506,507, 508,509	X-22-9	19	Kit, elbow (Includes 10,11) (Use after serial no. 9503397) 504	48 754 05
12	Washer, lock #10 (3) 9,35,37,40,504,510,511	X-22-9	19	Kit, elbow (Includes 10,11) (use after serial no. 11002739) 510	48 754 05
13	Screw, R.H.M. 10-32 x 1-1/2" (2) 5,6,8,9,17,32,33,35,37,40,41,42, 45,51,55,57,58,59,61,501,503,504, 505,506,507,508,509,510,511	X-50-57	20	Kit, elbow (Includes 10) 45	48 754 06
14	Washer, plain #10 5,6,8,17,32,33,41,42,45,51,55, 57,58,59,61,501,503,505,506,507, 508,509	X-25-79	21	Elbow, air cleaner 503,507	277396
14	Washer, plain #10 (Use before serial no. 9503398) 504	X-25-79	22	Cover, air cleaner 33,501	48 082 01
14	Washer, plain #10 (Use before serial no. 11002740) 510	X-25-79	22	Cover, air cleaner (Use before serial no. 11002740) 510	48 082 01
15	Screw, R.H.M. 10-32 x 2-1/4" 5,6,8,9,17,32,33,35,37,40,41, 42,45,51,55,57,58,59,61,501,503, 504,505,506,507,508,509,510,511	X-50-37	23	Seal, cover 33,41,501,505	47 032 03
16	Screw, H.C. 1/4-20 x 5/8" (2) 5,6,8,9,17,32,33,35,37,40,41,42,45, 51,57,58,59,61,501,503,504,505,506, 507,508,509,510,511	X-132-5	23	Seal, cover (Use before serial no. 11002740) 510	47 032 03
17	Washer 1/4" (3) 5,6,8,9,17,33,35,37,40,41,57,58,59, 61,501,503,504,505,506,507,508, 509,510,511	X-25-53	24	Element, air cleaner 33,501,505	47 083 03
17	Washer 1/4" (2) 32,42	X-25-53	24	Element, air cleaner (Use before serial no. 11002740) 510	47 083 03
17	Washer 45	X-25-102	25	Screw, sems hex hd. 1/4-20 x 1/2" 33,501	X-132-6
18	Brace, elbow 5,6,8,9,17,32,33,35,37,40,41,42,45, 51,57,58,59,61,501,503,504,505, 506,508,509,510,511	277116	25	Screw, sems hex hd. 1/4-20 x 1/2" (Use before serial no. 11002740) 510	X-132-6
18	Brace, elbow (2) 507	277116	26	Washer, plain 1/4" 33,501	X-25-52
19	Kit, elbow (Includes 10,11) 8,506	48 754 02	26	Washer, plain 1/4" (Use before serial no. 11002740) 510	X-25-52
19	Kit, elbow (Includes 10,11) (Use before serial no. 9503398) 504	48 754 02	27	Base, air cleaner 33,501	48 201 02
19	Kit, elbow (Includes 10,11) 35,40	48 754 07	27	Base, air cleaner (Use before serial no. 11002740) 510	48 201 02
19	Kit, elbow (Includes 10,11) 55	48 754 08	28	Tube, air cleaner 505	47 134 02
			28	Tube, air cleaner (Use before serial no. 7574526) 501	41 134 01
			29	Cover, air cleaner 41	47 082 01
			29	Cover, air cleaner 505	47 082 03
			30	Element, air cleaner 41	47 083 04
			31	Base, air cleaner 41,505	48 201 01

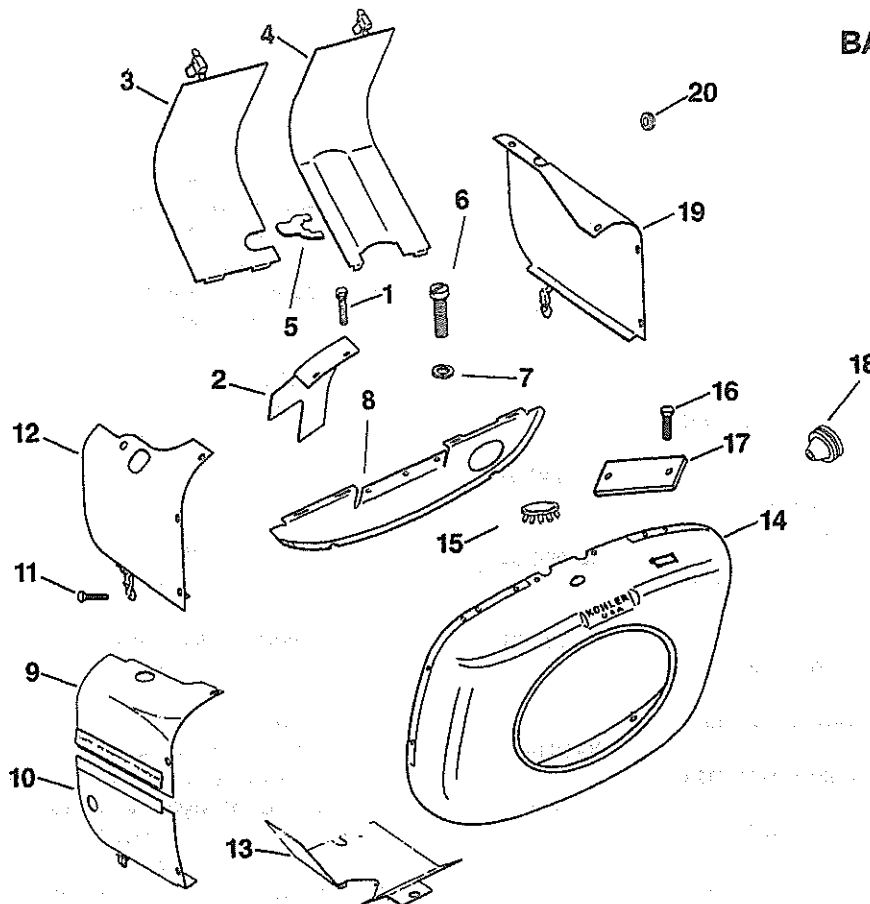
**AIR INTAKE
(Cont'd)**



Note: For additional Air Intake components, see page 12.

Index Number	Description Variation Number	Part Number	Index Number	Description Variation Number	Part Number
32	Air cleaner assembly (Includes 1,33,35,36,25 113 07) 59	A-235100	40	Element, pre-cleaner 61,509	45 083 01
33	Cover, air cleaner 59	235102	41	Element, air cleaner 61,509	45 083 02
34	Element, pre-cleaner 59	237421	42	Seal, air cleaner 61,509	237423
35	Element, air cleaner 59	235116	43	Base, air cleaner 61	47 094 02
36	Base, air cleaner 59	235101	43	Base, air cleaner 509	47 094 02
37	Cover, air cleaner 61	52 096 26	NOT ILLUSTRATED		
37	Cover, snorkel 509	52 254 11		Decal, air cleaner 32	220811
38	Seal 51,61,509	231032		Decal, air cleaner (white) 5,6,17,33,51,57,59,61,501, 503,505,506,507,508,509,510	25 113 07
39	Cover, element 51,61,509	52 082 04		Decal, air cleaner (black) 58	25 113 08

Group 2
BAFFLES & SHROUD



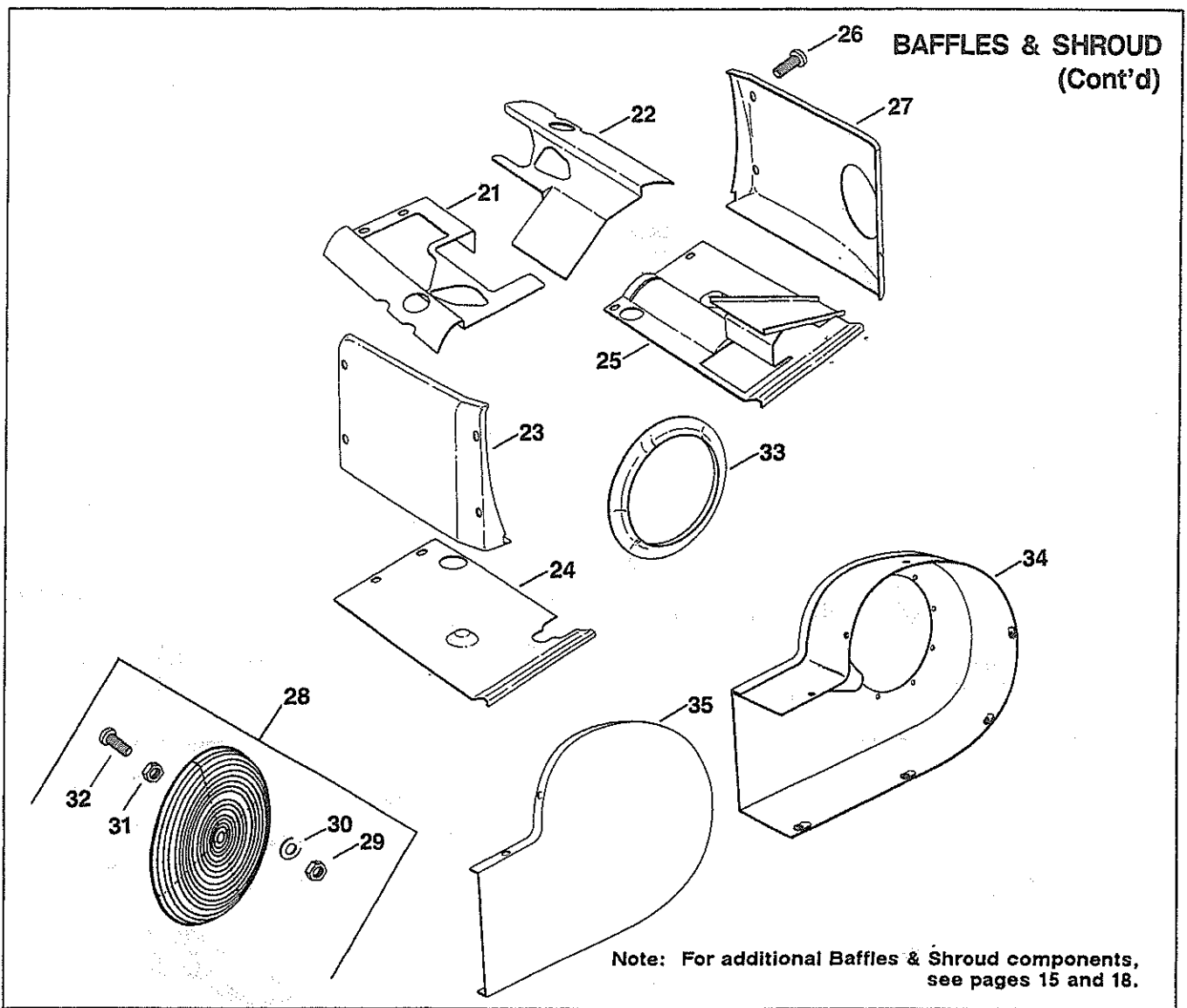
Note: For additional Baffles & Shroud components, see pages 17 and 18.

Index Number	Description	Part Number	Index Number	Description	Part Number
1	Screw, sems 1/4-20 x 5/8"		6	Screw, R.H.M. 1/4-20 x 1/2" (2)	
	57,58,60,62	X-132-5		3,5,7,21,27,28,30,31,33,36,37,38,41,42,43,44,45,46,47,50,51,55,57,60,62,501,502	X-73-1
2	Baffle, #1 cylinder (upper)		7	Washer, lock 1/4" (2)	
	3,5,7,21,28,30,31,33,37,41,44,45,46,47,50,55,57,60,62,501,502	277054		3,5,7,21,27,28,30,31,33,36,37,38,41,42,43,44,45,46,47,50,51,55,57,60,62,501,502	X-20-1
3	Baffle, #1 barrel		8	Baffle, blower housing support	
	3,5,7,21,28,30,31,33,37,41,44,45,46,47,50,55,56,57,60,62,63,501,502	277048		3,7,21,31,33,37,41,44,46,47,50,55,57,60,62,501,502	277230
4	Baffle, #2 barrel		8	Baffle, blower housing support	
	3,21,31,33,37,41,44,46,47,50,55,57,60,62,501	277168		27,36,38,42,43,51	277058
4	Baffle, #2 barrel (Use before serial no. 1414385)		8	Baffle, blower housing support (Discontinued not available at Kohler Co.)	
	502	277168		5,28,30	277046
4	Baffle, #2 barrel		8	Baffle, blower housing support (Discontinued not available at Kohler Co.)	
	5,28,30	277188		45	48 063 16
4	Baffle, #2 barrel (Discontinued not available at Kohler Co.)		9	Baffle, #1 cylinder head (upper)	
	45	48 063 18		21	48 124 03
4	Baffle, #2 barrel		10	Baffle, #1 cylinder head (lower)	
	58,63	48 063 24		21	48 124 02
5	Plug, grommet				
	56,63	48 139 02			

BAFFLES & SHROUD
(Cont'd)

K582

Index Number	Description Variation Number	Part Number	Index Number	Description Variation Number	Part Number
11	Screw, H.C. 1/4-20 x 1/2" (8) (Replaced by X-133-2) 57,62	48 086 09	15	Button, plug 7/8" 3,5,7,21,27,31,33,36,37,38,41, 42,43,44,45,46,50,51,55,57,60, 62,501,502	X-301-8
11	Screw, H.C. 1/4-20 x 1/2" (9) (Replaced by X-133-2) 5,31,46,50,55	48 086 09	16	Screw, sems hex hd. 1/4-20 x 1/2" (2) 3,21,46,51,62	X-132-6
11	Screw, H.C. 1/4-20 x 1/2" (10) (Replaced by X-133-2) 3,7,21,42,501,502	48 086 09	16	Screw, sems hex hd. 1/4-20 x 1/2" (2) (Use before serial no. 1414385) 502	X-132-6
11	Screw, H.C. 1/4-20 x 1/2" (12) (Replaced by X-133-2) 51	48 086 09	16	Screw, sems hex hd. 1/4-20 x 1/2" (4) (Use before serial no. 1509115) 501	X-132-6
11	Screw, H.C. 1/4-20 x 1/2" (15) (Replaced by X-133-2) 56	48 086 09	17	Cover, knock-out 3,21,46,51,62	41 096 23
11	Screw, H.C. 1/4-20 x 1/2" (16) (Replaced by X-133-2) 36,43	48 086 09	17	Cover, knock-out (Use before serial no. 1414385) 502	41 096 23
11	Screw, H.C. 1/4-20 x 1/2" (21) (Replaced by X-133-2) 49	48 086 09	17	Cover, knock-out (Use before serial no. 1509115) 501	41 096 23
11	Screw, H.C. 1/4-20 x 1/2" (8) 60	X-133-2	18	Bushing 3,7,21,27,31,33,36,37,38,41,42,43,44, 46,47,50,51,55,57,60,62,501,502	243035
11	Screw, H.C. 1/4-20 x 1/2" (9) 33,37,41,44,45	X-133-2	19	Baffle, #2 cylinder head 3,5,21,28,30,31,33,37,41,44,46,47, 50,55,57,60,62,501	48 124 04
11	Screw, H.C. 1/4-20 x 1/2" (12) 27	X-133-2	19	Baffle, #2 cylinder head (Use before serial no. 1414385) 502	48 124 04
11	Screw, H.C. 1/4-20 x 1/2" (19) 38	X-133-2	19	Baffle, #2 cylinder head (Discontinued not available at Kohler Co.) 45	48 063 17
11	Screw, H.C. 1/4-20 x 1/2" (21) 28,30	X-133-2	19	Baffle, #2 cylinder head 7	48 124 05
12	Baffle, #1 cylinder head 3,5,7,28,30,31,33,37,41,44,45, 46,47,50,55,57,60,62,501,502	277051	19	Baffle, #2 cylinder head (Use after serial no. 1414384) 502	48 124 05
13	Baffle 3,5,7,21,28,30,31,33,37,41,44, 46,47,50,55,57,60,62,501,502	48 063 01	19	Baffle, #2 cylinder head 56	48 063 25
14	Housing, blower 3,5,7,21,27,31,37,38,42,44,45, 46,50,51,55,57,62,501,502	48 027 11	20	Grommet (2) 7	X-284-7
14	Housing, blower 36	48 027 06	20	Grommet (2) (Use after serial no. 1414384) 502	X-284-7
14	Housing, blower 33,41	48 027 07			
14	Housing, blower 43	48 027 08			
14	Housing, blower 60	48 027 12			



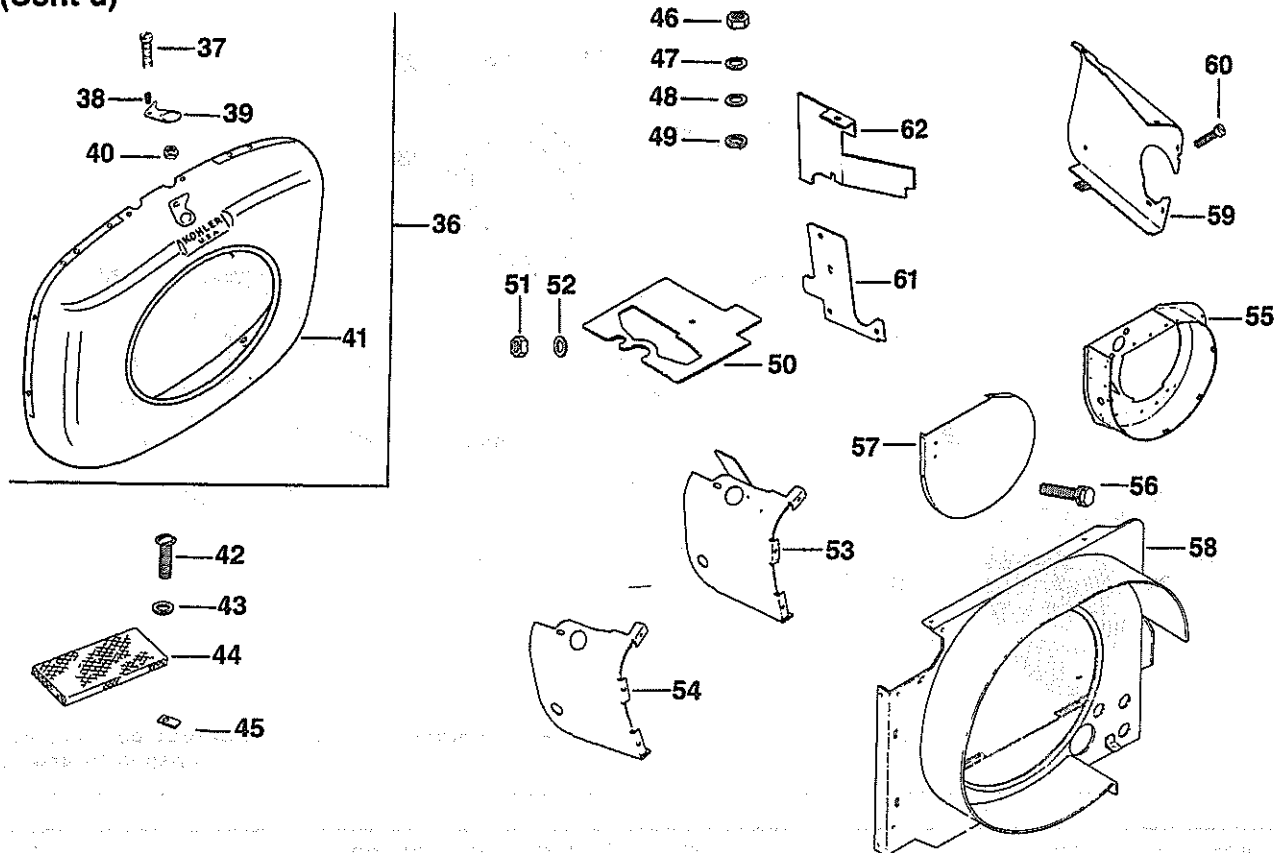
Index Number	Description Variation Number	Part Number	Index Number	Description Variation Number	Part Number
21	Baffle, #1 cylinder (top) 27,36,43,51	48 063 05	25	Baffle, #2 cylinder (bottom) 42	48 063 13
21	Baffle, #1 cylinder (top) 38,42	48 063 12	26	Baffle, #2 cylinder (side) 27,36,43,51	48 063 03
22	Baffle, #2 cylinder (top) 27,36,38,42,43,51	48 063 02	26	Baffle, #2 cylinder (side) 38,42	48 063 09
23	Baffle, #1 cylinder (side) 27,36,43,51	48 063 06	27	Screw, sems phillips 1/4-20 x 3/4" (4)	
23	Baffle, #1 cylinder (side) 38,42	48 063 08		27,51	X-174-2
24	Baffle, #1 cylinder (bottom) 27,36,43,51	48 063 07	28	Kit, guard screen (Includes 29,30,31,32)	
24	Baffle, #1 cylinder (bottom) 38,42	48 063 10		60	48 755 35
25	Baffle, #2 cylinder (bottom) 27,36,43,51	48 063 04	29	Nut, elastic lock 10-32 60	X-101-12
25	Baffle, #2 cylinder (bottom) (Discontinued not available at Kohler Co.) 38	48 063 11	30	Washer, flat #10 (8) 60	25 468 03

BAFFLES & SHROUD
(Cont'd)

K582

Index Number	Description Variation Number	Part Number	Index Number	Description Variation Number	Part Number
31	Nut, hex 10-32 (4) 60	X-70-3	34	Scroll 28,30,47	48 539 01
32	Screw, R.H.M. 10-32 x 3/4" (4) 60	X-50-6	35	Cover, scroll 28,30,47	275824
33	Baffle, air inlet 28,30,47	275812			

BAFFLES & SHROUD
(Cont'd)

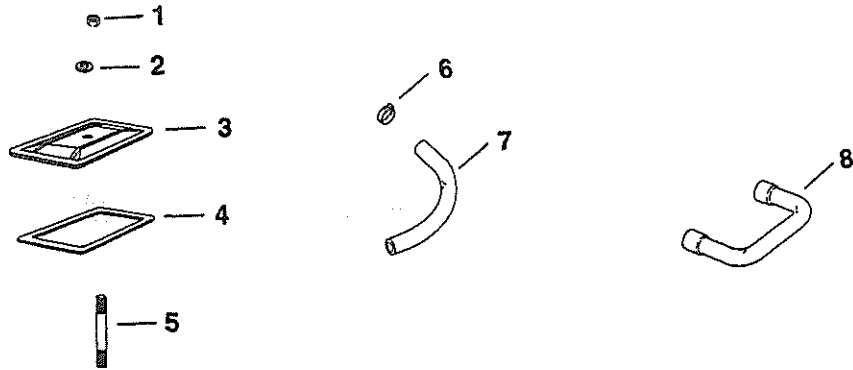


Note: For additional Baffles & Shroud components, see pages 15 and 17.

Index Number	Description Variation Number	Part Number	Index Number	Description Variation Number	Part Number
36	Housing assembly, blower (Includes 37-41) 28,30,47	A-277525	42	Screw, sems F.H. 10-32 x 5/16" (2) 28,30,47	X-167-2
37	Screw, R.H.M. 10-24 x 1/2" 28,30,47	X-50-15	43	Washer, plain #10 (2) 28,30,47	X-25-11
38	Spring, cover (Discontinued not available at Kohler Co.) 28,30,47	270278	44	Screen 28,30,47	48 162 06
39	Cover, timing hole 28,30,47	270175	45	Brace (2) 28,30,47	41 120 02
40	Nut, stop 10-24 28,30,47	X-101-9	46	Nut, hex 1/4"-20 63,81	X-81-1
41	Housing, blower (Discontinued not available at Kohler Co.) 28,30,47	48 095 02	47	Washer, plain 1/4" 56,63	X-25-73
			48	Washer, plain 1/4" 63	X-25-53

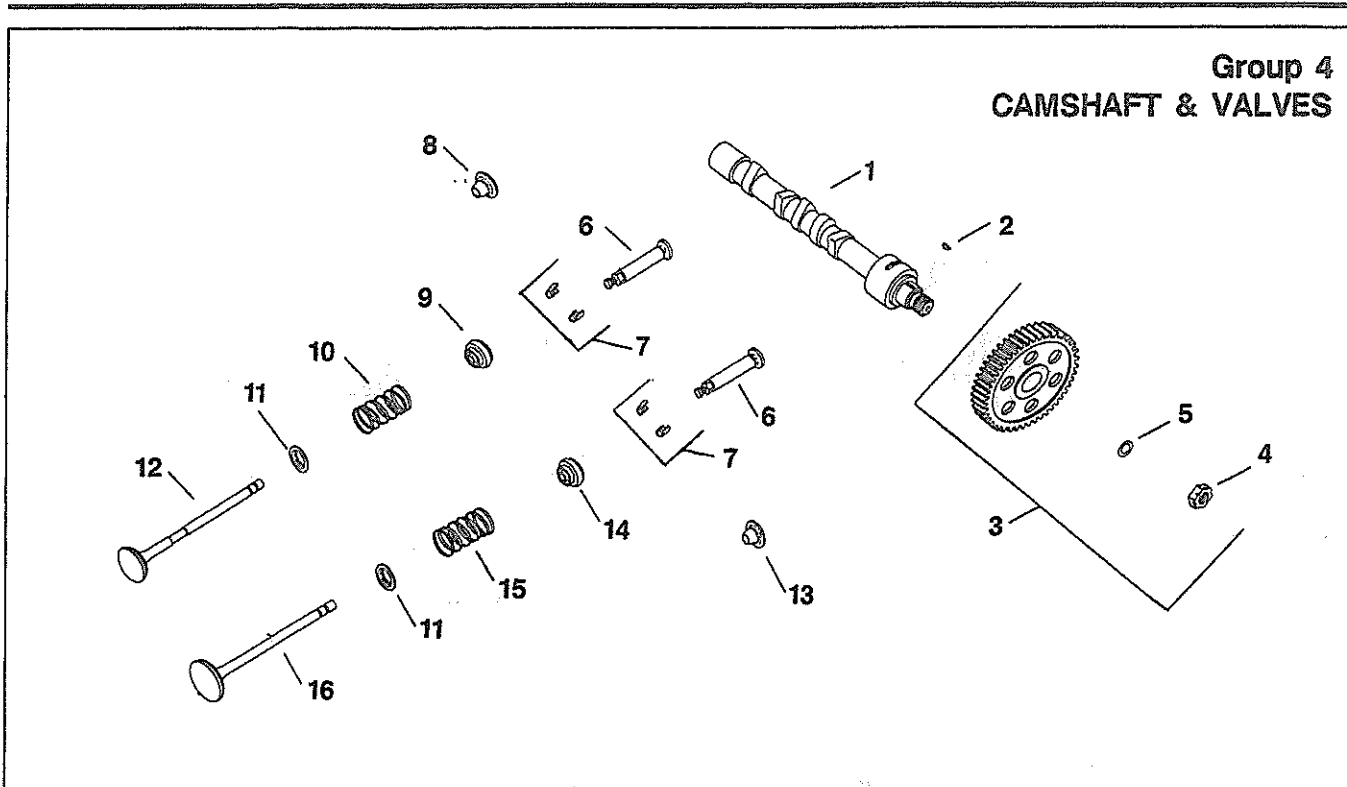
Index Number	Description Variation Number	Part Number	Index Number	Description Variation Number	Part Number
49	Washer, lock 1/4" 56,63	X-20-1	57	Cover, scroll 56	48 096 12
50	Baffle, #1 barrel (top) 56	48 063 21	58	Scroll assembly 63	48 539 04
51	Nut, hex 3/8"-16 56,63	X-83-6	59	Baffle, #2 cylinder head 63	48 063 28
52	Washer, plain 56,63	48 468 03	60	Screw, self-tapping 1/4-20 x 7/16" (7) 63	X-67-83
53	Baffle, #1 cylinder head 56	48 063 22	61	Baffle, #1 barrel (top) 63	48 063 27
54	Baffle, #1 cylinder head 63	48 063 26	62	Baffle, #2 barrel (top) 56	48 063 20
55	Scroll assembly 56	48 539 03	62	Baffle, #2 barrel (top) 63	48 063 29
56	Screw, sems H.C. 1/4-20 x 3/4" (2) 56,63	X-176-1			

**Group 3
BREATHER & VENT**



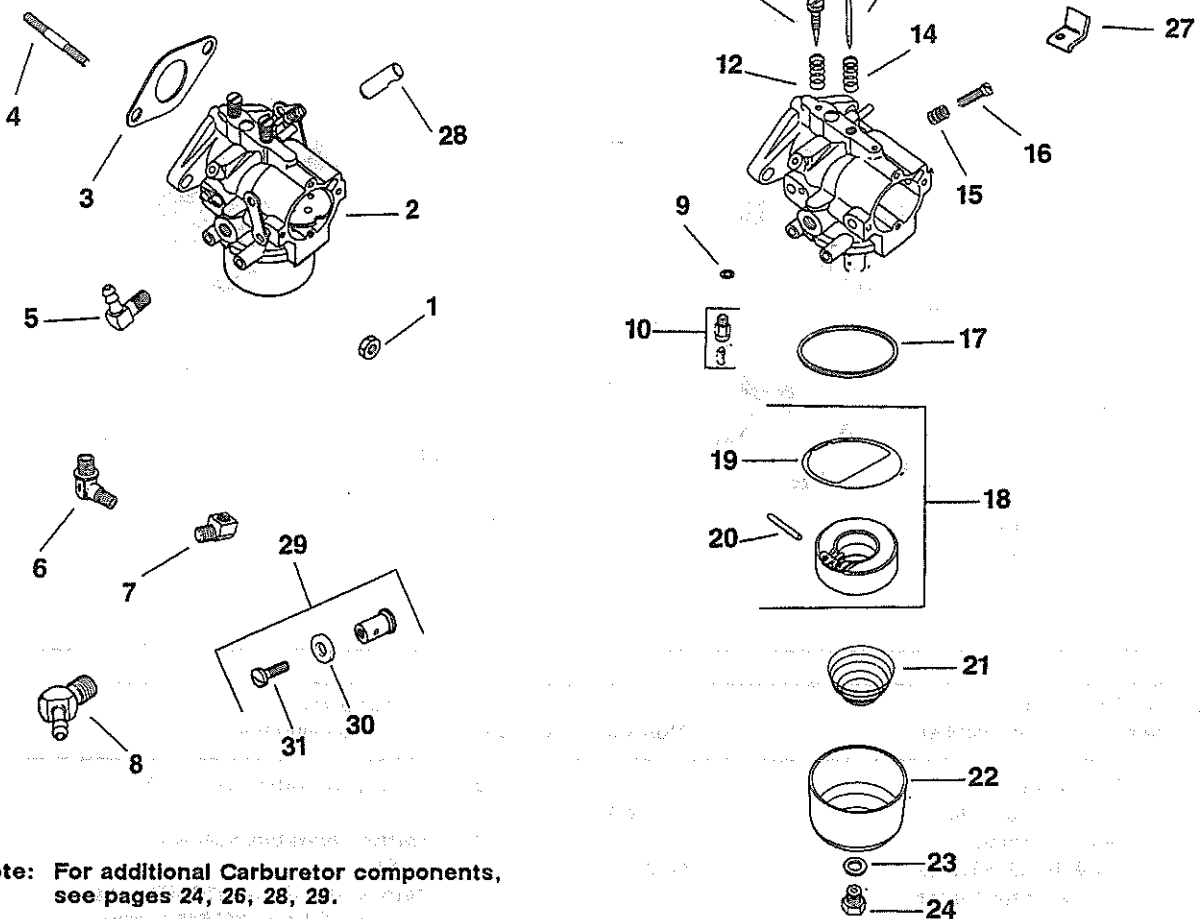
Index Number	Description Variation Number	Part Number	Index Number	Description Variation Number	Part Number
1	Nut, hex 1/4-20 (2) 4,5,8,9,10,11,12	X-81-1	6	Clamp, hose 12	X-426-3
2	Washer, copper 1/4" (2) 4,5,8,9,10,11	X-25-12	6	Clamp, hose (2) 4,5,8,10,11	X-426-3
3	Cover, valve (2) 4,5,8,9,10,11,12	270036	7	Hose, breather 31" 8	X-484-17
4	Gasket, valve cover (2) 4,5,8,9,10,11,12	270034	7	Hose, breather 10	48 326 02
5	Stud, valve cover (2) 4,5,8,9,10,11,12	220368	8	Hosé, breather 9-1/16" 4,5,9,11	277392
6	Clamp, hose (2) 9	X-426-10			

Group 4
CAMSHAFT & VALVES



Index Number	Description Variation Number	Part Number	Index Number	Description Variation Number	Part Number
1	Camshaft 8,9,10,501,502	48 012 01	10	Spring, exhaust valve (2) 9,10	235168
2	Key, woodruff 8,9,10,12,501,502	X-43-1	10	Spring, exhaust valve (2) 501	235010
3	Kit, camshaft gear (Includes 4,5) 8,9,10,501,502	48 755 34	10	Spring, exhaust valve (2) 502	235168
4	Nut, camshaft drive 8,9,10,501,502	48 100 04	11	Retainer, valve spring (4) 8,9,10,501,502	235011
5	Washer, spring 8,9,10,501,502	48 468 04	12	Valve, exhaust (2) 9,10,502	237672
6	Tappet - assembly (4) 8,9,10,501,502	D-277031	12	Valve, exhaust (2) 8	48 016 01
7	Kit, valve keeper (4) 8,9,10,501,502	41 755 10	12	Valve, exhaust (2) 501	48 016 01
8	Retainer, exhaust valve spring (2) 8	230011	13	Retainer, intake valve spring (2) 8,9,501,502	230011
8	Retainer, exhaust valve spring (2) (Use before serial no. 9165451) 501	230011	14	Rotator, intake valve (2) 10	52 413 01
8	Retainer, exhaust valve spring (2) (Use after serial no. 1132965) 502	230011	15	Spring, intake valve (2) 8,9,501,502	235010
9	Rotator, exhaust valve (2) 9,10	52 413 01	15	Spring, intake valve (2) 10	235168
9	Rotator, exhaust valve (2) (Use before serial no. 1132966) 502	52 413 01	16	Valve, intake (2) 8,9,501,502	235008
9	Rotator, exhaust valve (2) (Use after serial no. 9165450) 501	52 413 01	16	Valve, intake (2) 10	235582
10	Spring, exhaust valve (2) 8	235010			

**Group 5
CARBURETOR**



Note: For additional Carburetor components, see pages 24, 26, 28, 29.

Index Number	Description Variation Number	Part Number	Index Number	Description Variation Number	Part Number
1	Nut, hex 5/16"-24 (2) 17,22,26,27,29,30,32,33,34,37,39,41, 42,43,47,48,49,50,51,52,53,55,501, 502,504,505,506	X-82-5	2	Carburetor, assembly (Includes 9-20,22-31) 29	48 053 16
2	Carburetor, assembly (Includes 9-20,22-24,28-31) 17,32,43,48,49,51,501	48 053 06	2	Carburetor, assembly (Includes 9-20,22-24,28-31) 30	48 053 18
2	Carburetor, assembly (Includes 9-20,22-24,28-31) (Use before serial no. 9128509) 504	48 053 06	2	Carburetor, assembly (Includes 9-20,22-31) 502 Before serial no. 8114053 use: After serial no. 8114052 use:	48 053 11 48 053 16
2	Carburetor, assembly (Includes 9-31) (Use after serial no. 9128508) (Discontinued not available at Kohler Co.) 504	48 053 26	2	Carburetor, assembly (Includes 9-20,22-24,28-31,41) 33,50	48 053 24
2	Carburetor, assembly 506 Before serial no. 8137659 use: After serial no. 8137658 use:	48 053 24 48 053 06	2	Carburetor, assembly (Includes 5,9-20,22-24,28-31,41-45) 37	48 053 25
2	Carburetor, assembly (Includes 9-20,22-24,28-31) 27	48 053 13	2	Carburetor, assembly (Includes 5,9-20,22-24,28-31,41-45) 39	48 053 27

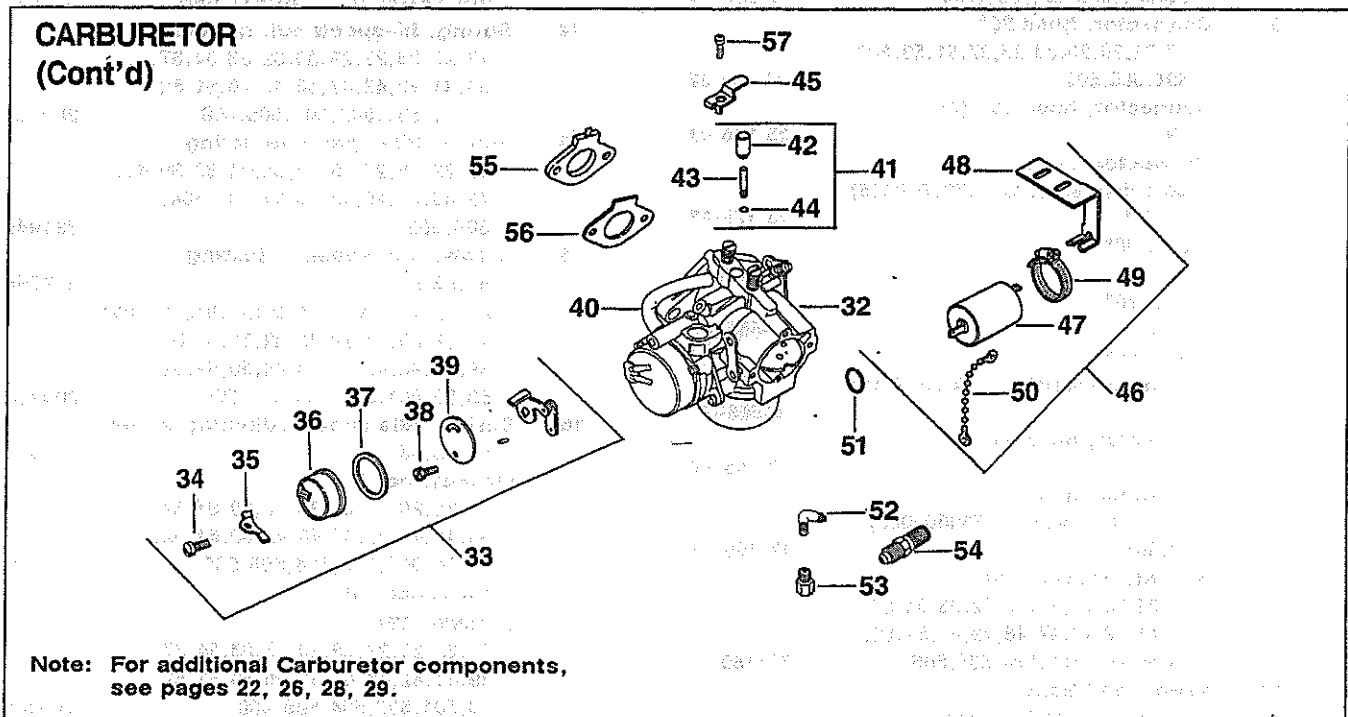
Index Number	Description Variation Number	Part Number	Index Number	Description Variation Number	Part Number
2	Carburetor, assembly 505		13	Needle, hi-speed adjusting 52,53,55	52 103 02
	Before serial no. 14103518 use:	48 053 25	13	Needle, hi-speed adjusting 502	
	After serial no. 14103517 use:	48 053 24		Before serial no. 8114053 use:	47 103 01
3	Gasket, carburetor 17,22,26,27,29,30,32,33,34,37, 39,41,42,43,47,48,49,50,51,52, 53,55,501,502,504,505,506	271030		After serial no. 8114052 use:	48 103 01
3	Gasket, carburetor (2) 503,507	271030	13	Needle, hi-speed adjusting 47	
4	Stud (2) 17,22,26,27,29,30,32,33,34,37, 39,41,42,43,47,48,49,50,51,52, 53,501,502,504,505,506	X-352-10		Before serial no. 153500015 use:	235415
5	Connector, hose 90° 17,22,26,29,30,33,37,51,53,502, 504,505,506	25 155 02		After serial no. 153500005 use:	52 103 01
5	Connector, hose 90° (2) 39	25 155 02	13	Needle, hi-speed adjusting 505	
5	Connector, hose 90° (Use before serial no. 1730800015) 50,501	25 155 02		Before serial no. 14103518 use:	235415
6	Elbow 90° 32,48	231510		After serial no. 14103517 use:	48 103 01
7	Elbow 90° 34,43	X-555-2	14	Spring, hi-speed adj. needle 17,22,26,27,29,30,32,33,34,37, 39,41,42,43,47,48,49,50,51,52, 53,55,501,502,504,505,506	200383
7	Elbow 90° (Use before serial no. 1535000015) 47	X-555-2	15	Screw, idle speed adjusting 17,22,26,27,30,32,33,34,37,39,41, 42,43,47,48,49,50,51,501,504, 505,506	234945
8	Connector, hose 45° 49	47 155 12	15	Screw, idle speed adjusting 52,53,55	232556
8	Connector, hose 45° (Use after serial no. 1730800005) 50,501	47 155 12	16	Spring, idle speed adjusting screw 17,22,26,27,29,30,32,33,34,37, 39,41,42,43,47,48,49,50,51,52, 53,55,501,502,504,505,506	200380
9	Gasket, needle seat 17,22,26,27,29,30,32,33,34,37, 39,41,42,43,47,48,49,50,51,52, 53,55,501,502,504,505,506	277180	16	Spring, idle speed adjusting screw 52,53,55	232555
10	Needle and Seat (Available only in Carburetor repair kit 25 757 02) 17,22,26,27,29,30,32,33,34,37,39,41, 42,43,47,48,49,50,51,52,53,55,501, 502,504,505,506		17	Gasket, bowl 17,22,26,27,29,30,32,33,34,37, 39,41,42,43,47,48,49,50,51,52, 53,55,501,502,504,505,506	200375
11	Screw, idle fuel adjusting 17,22,26,27,29,30,32,33,34,37, 39,41,42,43,47,48,49,50,51,501, 502,504,505,506	277210	18	Float repair kit (Includes 19) 17,22,26,27,29,30,32,33,34,37, 39,41,42,43,47,48,49,50,51,52, 53,501,502,504,505,506	25 757 03
11	Screw, idle fuel adjusting 52,53,55	235006	19	Gasket, bowl baffle 17,22,26,27,29,30,32,33,34,37, 39,41,42,43,47,48,49,50,51,52, 53,55,501,502,504,505,506	25 041 02
12	Spring, idle fuel adjusting needle 17,22,26,27,30,32,33,34,37,39,41, 42,43,47,48,49,50,51,501,504, 505,506	200380	20	Pin, float hinge 17,22,26,27,29,30,32,33,34,37, 39,41,42,43,47,48,49,50,51,52, 53,55,501,502,504,505,506	200376
13	Needle, hi-speed adjusting 17,29,32,33,43,48,49,50,51, 501,504,506	48 103 01	21	Spring, float support 52,53,55	237917*
13	Needle, hi-speed adjusting 22,26,27,34,37,39,41,42	235415	21	Spring, float support (Use after serial no. 1535000005) 47	237917
13	Needle, hi-speed adjusting 30	47 103 01	21	Spring, float support (Use after serial no. 9128508) 504	237917
			22	Bowl 17,22,26,27,29,30,32,33,34,37, 39,41,42,43,47,48,49,50,51,52, 53,55,501,502,504,505,506	235448

*Order part according to design used on engine.

**CARBURETOR
(Cont'd)**

K582

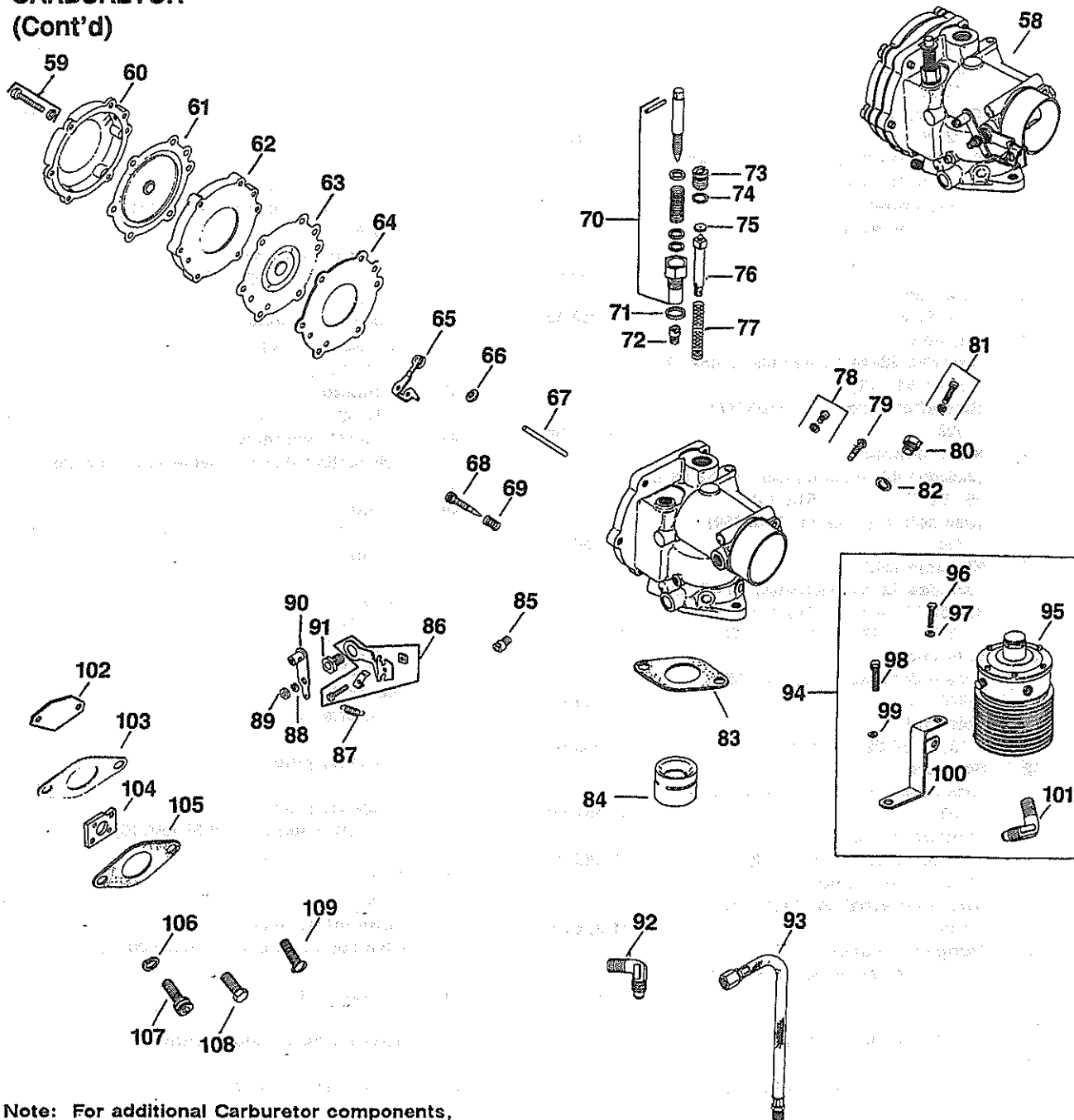
Index Number	Description Variation Number	Part Number	Index Number	Description Variation Number	Part Number
23	Gasket, bowl nut 17,22,26,27,29,30,32,33,34,37, 39,41,42,43,47,48,49,50,51,52, 53,501,502,504,505,506	200372	28	Body, ball joint 17,22,26,27,29,30,32,33,34,37, 39,41,42,43,47,48,49,50,51,501, 502,504,505,506	45 208 03
24	Nut, bowl 17,22,26,27,29,30,32,33,34,37, 39,41,42,43,47,48,49,50,51,52, 53,55,501,502,504,505,506	47 100 06	29	Kit, clamp (Includes 30,31) 17,27,29,30,32,33,37,39,43,48,49, 50,51,501,502,504,505,506	48 755 10
25	Screw, sems R.H.M. 8-32 x 1/4" 29,502	X-141-5	30	Washer, swivel 17,27,29,30,32,33,37,39,43,48,49, 50,51,501,502,504,505,506	X-25-102
26	Washer, lock #8 29,502	X-22-7	31	Screw, swivel 17,27,29,30,32,33,37,39,43,48,49, 50,51,501,502,504,505,506	X-51-8
27	Stop plate, throttle 29,502	48 090 01			



Index Number	Description Variation Number	Part Number	Index Number	Description Variation Number	Part Number
32	Carburetor, assembly (Includes 5,9-20,22-24,28-31,33-40) 22	48 053 03	32	Carburetor, assembly (Includes 5,9-20,22-24,33-45) (Replaced by 48 053 35) 53	48 053 33
32	Carburetor, assembly (Includes 5,9-20,22-24,28-31,33-40) 26	48 053 05	32	Carburetor, assembly (Includes 5,9-20,22-24,33-45,52,53) 52,55	48 053 34
32	Carburetor, assembly (Includes 9-20,22-24,28-31,33-40) 41,42	48 053 29	33	Kit, choke repair (Includes 34 [qty. 2],35 [qty. 2],37-39) 22,26,34,41,42,47,52,53,55	277469
32	Carburetor, assembly (Includes 9-20,22-24,33-45) 34	48 053 23	34	Screw, F.H.M. 8-32 x 1/4" (3) 22,26,34,41,42,47,52,53,55	X-14-
32	Carburetor, assembly 47 Before serial no. 1535000015 use: After serial no. 1535000005 use:	48 053 23 48 053 31	35	Retainer, choke housing (3) 22,26,34,41,42,47,52,53,55	277275

Index Number	Description Variation Number	Part Number	Index Number	Description Variation Number	Part Number
36	Housing, coil - choke 22,26,34,41,42,47,52,53,55	277291	44	Ring, "O" (Use before serial no. 8137659) 506	41 153 02
37	Gasket, choke housing 22,26,34,41,42,47,52,53,55	277281	45	Bracket, solenoid 33,34,37,39,47,50,52,53,55	45 126 12
38	Screw, binding hd. 6-32 x 1/4" 22,26,34,41,42,47,52,53,55	X-170-2	45	Bracket, solenoid (Use after serial no. 14103517) 505	45 126 12
39	Plate, baffle 22,26,34,41,42,47,52,53,55	277297	45	Bracket, solenoid (Use before serial no. 8137659) 506	45 126 12
40	Line, vacuum 22,26,34,41,42,47	25 353 02	46	Solenoid assembly (Includes 47-50) 41,42	48 435 11
40	Line vacuum 52,53,55	25 353 12	47	Solenoid 41,42	48 435 09
41	Kit, solenoid (Includes 42-44,25 452 03,25 452 07, lead 41 518 18) (Use after serial no. 14103517) 505	25 755 05	48	Bracket, solenoid (Discontinued not available at Kohler Co.) 41,42	48 126 11
41	Kit, solenoid (Includes 42-44, terminals 25 452 03 & 25 452 07, lead 41 518 18) (Use before serial no. 8137659) 506	25 755 05	49	Clamp 41,42	X-426-8
41	Kit, solenoid (Includes 42-44, terminals 25 452 03 & 25 452 07, lead 41 518 18) 33,34,37,39,47,50,52,53,55	25 755 05	50	Chain 41,42	48 233 02
42	Solenoid (Use before serial no. 8137659) 506	41 435 09	51	Ring 41,42	48 141 01
42	Solenoid 33,34,37,39,47,50,52,53,55	41 435 09	52	Elbow 90° 52,55	X-447-10
42	Solenoid (Use after serial no. 14103517) 505	41 435 09	52	Elbow 90° (Use after serial no. 1535000005) 47	X-447-10
43	Plunger, solenoid 33,34,37,39,47,50,52,53,55	41 385 01	53	Adapter, pipe 52,55	25 029 02
43	Plunger, solenoid (Use after serial no. 14103517) 505	41 385 01	53	Adapter, pipe (Use after serial no. 1535000005) 47	25 029 02
43	Plunger, solenoid (Use before serial no. 8137659) 506	41 385 01	54	Connector, hose 34	X-296-1
44	Ring, "O" 33,34,37,39,47,50,52,53,55	41 153 02	54	Connector, hose (Use before serial no. 1535000015) 47	X-296-1
44	Ring, "O" (Use after serial no. 14103517) 505	41 153 02	55	Heater, carburetor 55	25 319 01
			56	Gasket, carburetor heater 55	25 041 08
			57	Screw, 1/4-20 x 1/2" 47,52,53,55	X-133-2

**CARBURETOR
(Cont'd)**



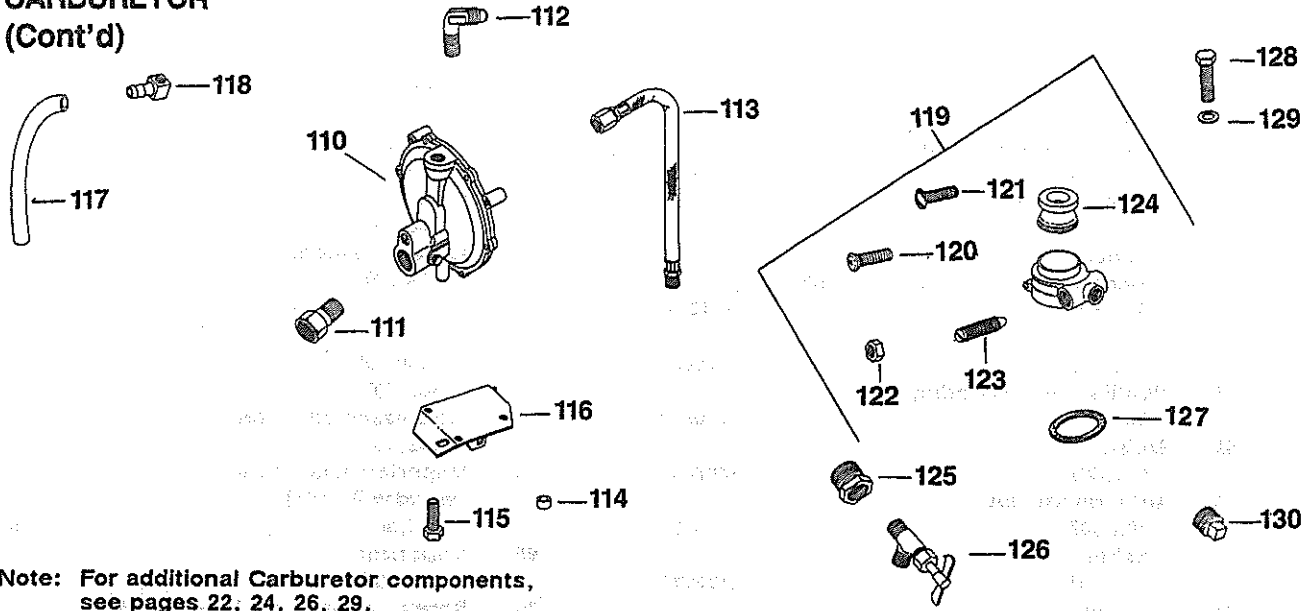
Note: For additional Carburetor components, see pages 22, 24, 28, 29.

Index Number	Description Variation Number	Part Number	Index Number	Description Variation Number	Part Number
58	Carburetor assembly (Includes 59-91, Carburetor repair kit 277896) 503,507	A-277321	60	Cover, diaphragm (Discontinued not available at Kohler Co.) 503,507	277487
59	Screw, #10-32 (Discontinued not available at Kohler Co.) 503,507	277906	61	Diaphragm assembly, outer 503,507	272078*
			62	Spacer, diaphragm (Discontinued not available at Kohler Co.) 503,507	272077

Index Number	Description Variation Number	Part Number	Index Number	Description Variation Number	Part Number
63	Diaphragm, inner 503,507	272076*	87	Spring, return 503,507	271982
64	Gasket, diaphragm to body 503,507	272075*	88	Washer, lock #10 503,507	X-19-1
65	Lever, diaphragm 503,507	272067	89	Nut, #8-36 503,507	271980
66	Washer (Discontinued not available at Kohler Co.) 503,507	A-1578	90	Lever, stamped 503,507	272105
67	Axle, lever 503,507	272068*	91	Screw, bracket 503,507	277891
68	Needle, idle adjusting 503,507	272081*	92	Elbow 90° 503,507	X-447-11
69	Spring 503,507	270702	93	Line assembly, fuel 503,507	48 353 03
70	Adjustment, jet 503,507	272082	94	Vaporizer assembly (Includes 95-101) 503,507	48 465 02
71	Washer 503,507	272066*	95	Vaporizer 503,507	48 465 01
72	Jet, main (Discontinued not available at Kohler Co.) 503,507	277895	96	Screw, sems H.C. 1/4-20 x 5/8" 503,507	X-143-5
73	Orifice assembly, inlet 503,507	272072	97	Washer, plain 9/32" 503,507	X-25-95
74	"O" ring (Discontinued not available at Kohler Co.) 503,507	272314	98	Screw, H.C. 3/8-16 x 1/2" 503,507	X-7-23
75	Disc, valve (Discontinued not available at Kohler Co.) 503,507	277898	99	Washer, lock 3/8" 503,507	X-22-10
76	Valve assembly, fuel 503,507	272069	100	Bracket, vaporizer 503,507	48 126 07
77	Spring, fuel valve 503,507	272071	101	Elbow 503,507	X-447-1
78	Plug 503,507	272093	102	Plate, closure 503,507	48 009 07
79	Plug, cap 503,507	272064*	103	Spacer, carburetor flange 503,507	277439
80	Plug, 3/8"-24 503,507	272112	104	Adapter, carburetor 503,507	48 029 07
81	Screw, w/washer 503,507	277894	105	Gasket, carburetor (2) 503,507	48 041 02
82	Washer 503,507	A-1579	106	Washer, lock 5/16" (2) 503,507	X-21-1
83	Gasket, flange 503,507	272184	106	Washer, lock 5/16" (2) 503,507	X-22-41
84	Venturi (Discontinued not available at Kohler Co.) 503,507	277893	106	Washer, I.T. 5/16" (2) 503,507	X-22-5
85	Screw, set #8-32 503,507	272074	107	Screw, socket H.C. 5/16-18 x 3/4" (2) 503,507	X-55-6
86	Bracket assembly 503,507	272107	108	Screw, H.C. 5/16-24 x 5/8" (2) 503,507	X-6-45
			109	Screw, F.H.M. 5/16-18 x 3/4" (2) 503,507	X-33-8

*Note: Available only in Carburetor repair kit 277896.

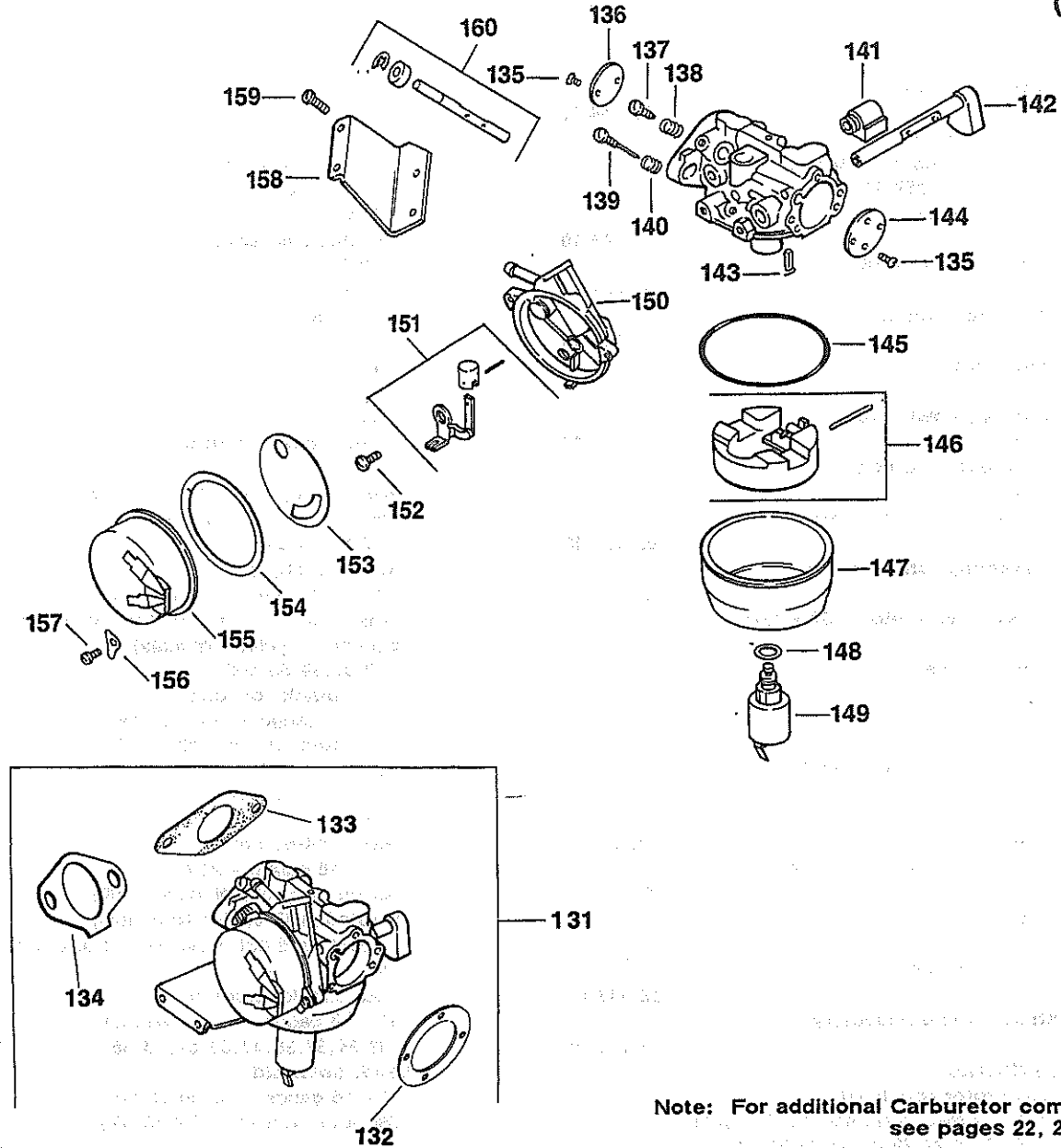
**CARBURETOR
(Cont'd)**



Note: For additional Carburetor components, see pages 22, 24, 26, 29.

Index Number	Description Variation Number	Part Number	Index Number	Description Variation Number	Part Number
110	Regulator assembly (Includes 112, 115, 116) 26, 27, 53	B-230695	120	Screw, R.H.M. 10-32 x 3/4" 26, 27, 53	X-50-6
111	Filter 26, 27, 53	151377	121	Screw, F.H. oval 1/4-20 x 1-1/4" 26, 27, 53	X-52-20
112	Elbow, street 26, 27, 53	X-447-5	122	Nut, jam 3/4"-20 26, 27, 53	X-89-14
113	Line, flex - fuel 26, 27, 53	235171	123	Valve, needle 26, 27, 53	270662
114	Spacer 26, 27, 53	X-400-31	124	Venturi 26, 27, 53	270661
114	Spacer 26, 27, 53	265372	125	Bushing, reducer 3/8 x 1/2" 26, 27, 53	X-202-28
115	Screw, H.C. 1/4-20 x 5/8" (2) 26, 27, 53	X-132-5	125	Bushing, reducer 26, 27, 53	X-202-7
116	Bracket, regulator 26, 27, 53	277454	126	Valve, gas 26, 27, 53	221282
117	Hose 26, 27, 53	25 353 13	127	Gasket, adapter 26, 27, 53	270550
118	Connector, hose 90° 26, 27, 53	X-391-4	128	Screw, H.C. 1/4-20 x 1" (2) 26, 27, 53	X-132-4
119	Adapter assembly, carburetor (Includes 120-124) 26, 27, 53	A-236302	129	Washer 1/4" 26, 27, 53	X-25-63
			130	Plug, pipe 27	X-75-17

**CARBURETOR
(Cont'd)**



Note: For additional Carburetor components, see pages 22, 24, 26, 28.

Index Number	Description Variation Number	Part Number	Index Number	Description Variation Number	Part Number
131	Kit, carburetor (Includes 132, 133, 134 and Carburetor assembly 48 053 39* [includes 135-160])		136	Plate, throttle 56	25 146 05
132	Gasket, elbow 56	41 041 11	137	Needle, idle 56	25 368 02
133	Gasket, flange 56	210223	138	Spring, idle needle 56	25 089 02
134	Gasket, thermistor 56	52 041 22	139	Needle, high speed adjusting 56	52 368 03
135	Screw, throttle & choke plate (4) 56	25 086 27	140	Spring, high speed adj. needle 56	25 089 02
			*Note: Carburetor assembly is for information only not available separately.		

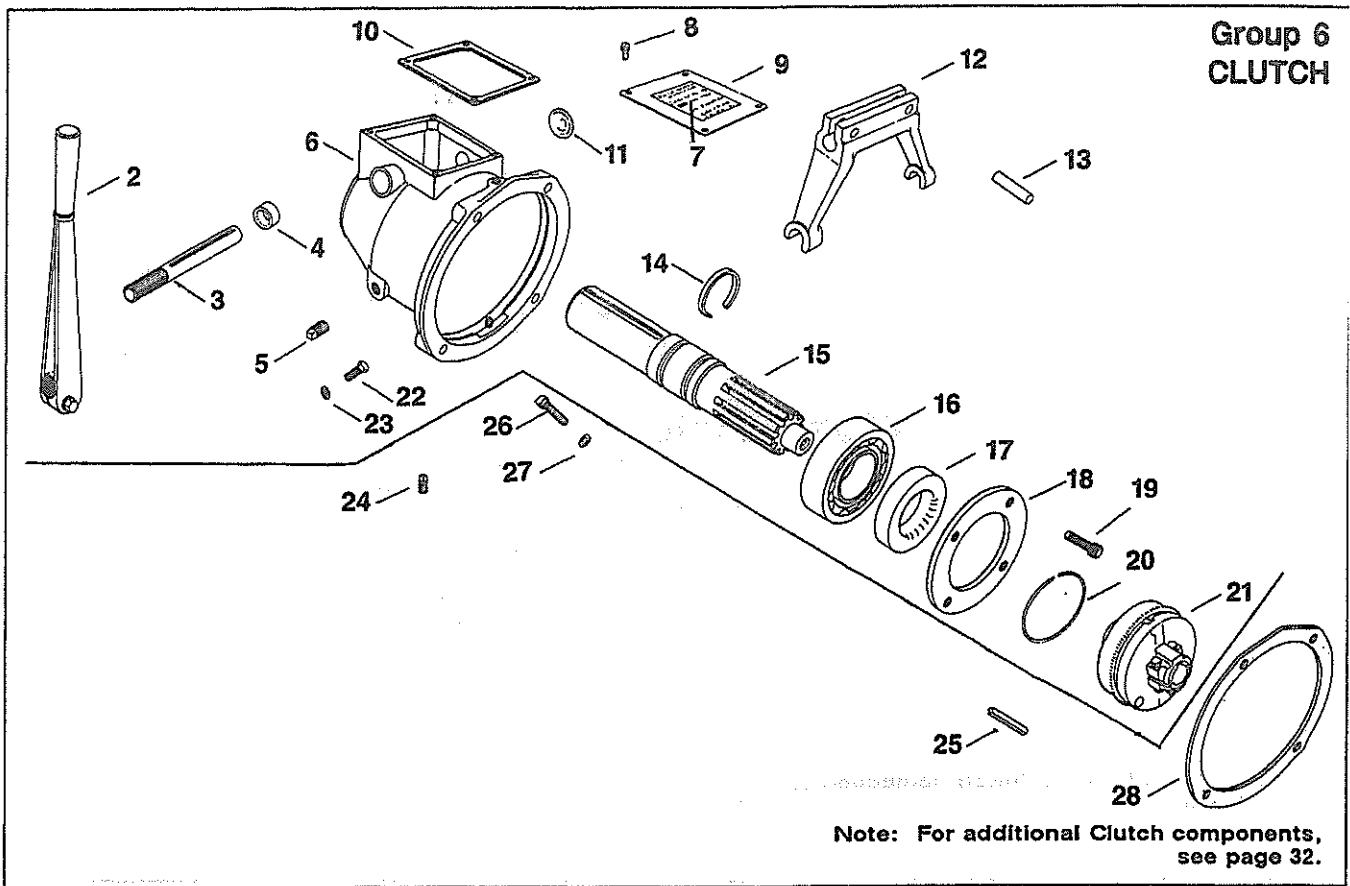
CARBURETOR
(Cont'd)

K582

Index Number	Description Variation Number	Part Number	Index Number	Description Variation Number	Part Number
141	Elbow, male 56	52 054 45		Terminal, solenoid 33,34,37,39,47,50,52,53,55	25 452 03
142	Shaft, throttle 56	52 144 22		Terminal, solenoid (Use after serial no. 14103517)	
143	Needle and seat (Available only in Carburetor repair kit 52 757 04)			505	25 452 03
144	Plate, choke 56	52 146 10		Terminal, solenoid (Use before serial no. 8137659)	25 452 03
145	Gasket, fuel bowl 56	25 041 04		Terminal, solenoid 33,34,37,39,47,50,52,53,55	25 452 07
146	Kit, float assembly 56	25 757 09		Terminal, solenoid (Use after serial no. 14103518)	25 452 07
147	Bowl, fuel 56	25 104 01		Terminal, solenoid (Use before serial no. 8137659)	25 452 07
148	Gasket, bowl screw 56	25 041 03		506	25 452 07
149	Solenoid assembly 56	52 435 06		Lead, black, ground (2) (6" - 18 gauge - 1/4" female uninsulated push on tab, 1/4" Insulated grip barrel eyelet terminals)	
150	Assembly, choke heater 56	52 175 03		47,52,53,55	25 518 12
151	Assembly, choke lever 56	277272		Lead, black, ground (6" - 18 gauge - 1/4" female uninsulated push on tab, 1/4" insulated grip barrel eyelet terminals)	
152	Screw, BHM sltd. 6-32 x 1/4" 56	X-70-2		33,37,39,50,505	25 518 12
153	Plate, baffle 56	277297		Lead, black, ground (6" - 18 gauge - 1/4" female uninsulated push on tab, 1/4" insulated grip barrel eyelet terminals)	
154	Gasket, air cleaner 56	277281		(Use before serial no. 8137659)	25 518 12
155	Housing, choke assembly 56	52 081 05		506	25 518 12
156	Retainer, thermostat 56	277275		Lead, white, coil (10" - 18 gauge - #10 insulated grip barrel eyelet, fully insulated push on tab terminals)	
157	Screw, F.H.M. 8-32 x 1/4" 56	X-14-6		(Discontinued not available at Kohler Co.)	
158	Bracket 56	52 126 20		55	25 518 22
159	Screw, tapping (2) 56	52 086 18		Lead, black, solenoid (5" - 18 gauge - no terminals)	
160	Shaft, choke assembly 56	52 144 20		33,34,37,39,47,50,52,53,55	41 518 18
NOT ILLUSTRATED				Lead, solenoid (5" - 18 gauge - no terminals)	
	Carburetor repair kit (Includes Needle & Seat 12,17-19,21) 17,22,26,27,29,30,32,33,34,37, 39,41,42,43,47,48,49,50,51,52, 53,501,502,504,505,506	25 757 02		(Use after serial no. 14103517)	41 518 18
	Kit, carburetor repair 503,507	277896		505	41 518 18
				Lead, solenoid (5" - 18 gauge - no terminals)	
				(Use before serial no. 8137659)	
				506	41 518 18

K582

Group 6 CLUTCH



Note: For additional Clutch components, see page 32.

Index Number	Description Variation Number	Part Number	Index Number	Description Variation Number	Part Number
1	Clutch assembly (Includes 2-19,21-23) (Rockford Division part no. 4-10992) (Replaced by 48 239 02)		9	Cover, clutch	
			1		234032
			10	Gasket, clutch cover	
			1		234033
		B-274041	11	Plug, welch	
			1		X-230-20
1	Clutch assembly (Includes 2-17,20-23) (Rockford Division part no. 4-29982)		12	Yoke, clutch	
		48 239 02	1		A-234027
2	Lever, shifting		13	Pin, roll (2)	
	1	A-234026	1		274101
3	Shaft, yoke		14	Ring, retaining (2)	
	1	274117	1		234037
4	Seal, oil		15	Shaft, drive	
	1	X-271-19	1		234039
5	Plug, pipe (2)		16	Bearing, ball	
	1	X-75-2	1		234035
6	Housing, P.T.O. (Use with Rockford Division no. 4-10992) (Discontinued not available at Kohler Co.)		17	Seal, oil	
	1	237074	1		234038
6	Housing P.T.O. (Use with Rockford Division no. 4-29982)		18	Plate, bearing retainer (Use with Rockford Division no. 4-10992)	
	1	48 081 03*	1		234036*
7	Plate, instruction (Discontinued not available at Kohler Co.)		19	Screw (4) (Use with Rockford Division no. 4-10992)	
	1	234089	1		X-776-1*
8	Screw, R.H.M. 10-24 x 3/8" (4)		20	Ring, snap (Use with Rockford Division no. 4-29982)	
	1	X-50-13	1		48 141 02

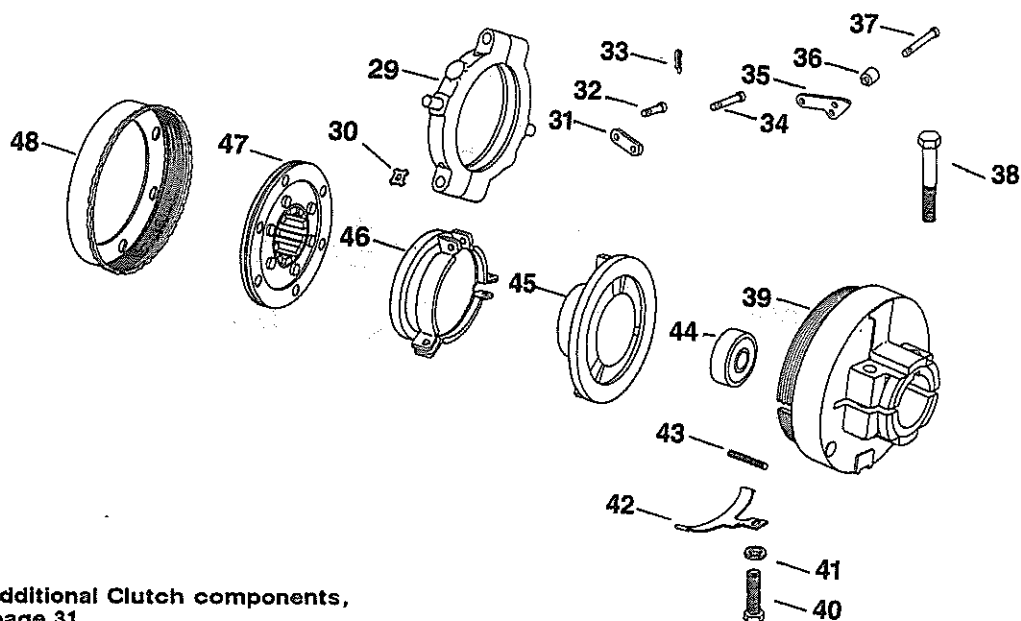
K582

21 Clutch, assembly
(Includes 29-46)
1

A-234075

*Note: Order these replacement parts according to the Rockford Division part no. located on the instruction plate of the clutch. For complete clutch replacement use 48 239 02 and order replacement parts accordingly thereafter.

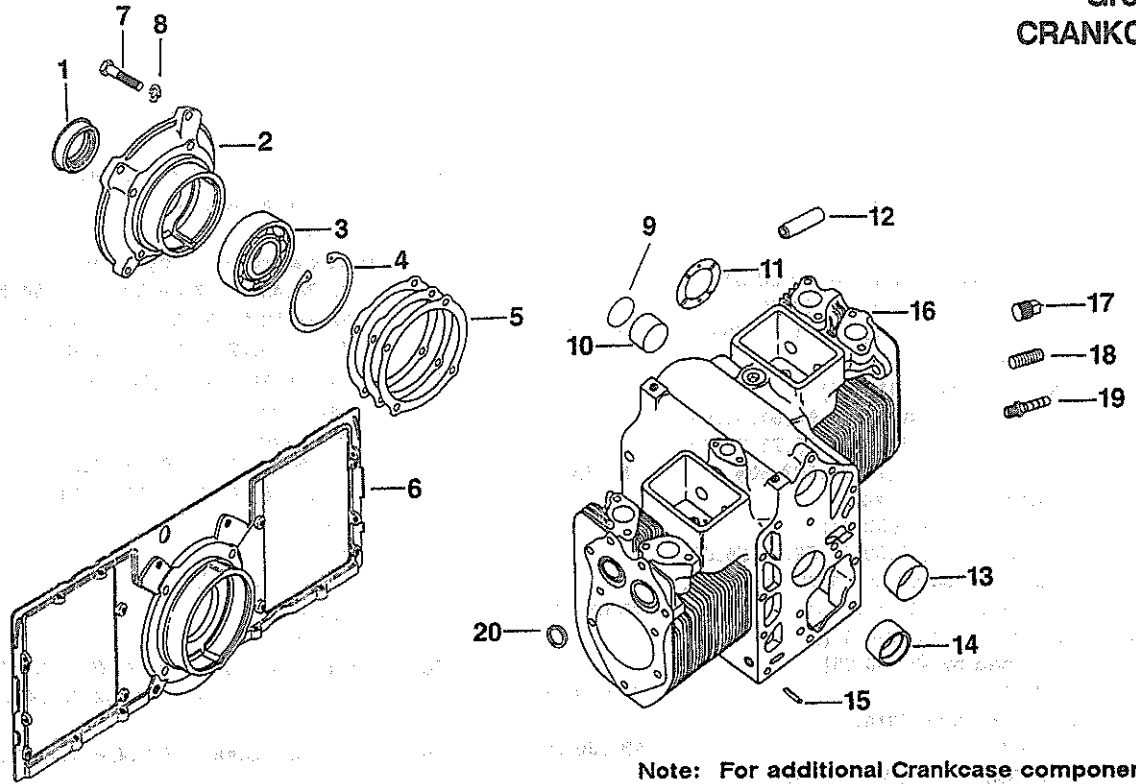
CLUTCH (Cont'd)



Note: For additional Clutch components, see page 31.

Index Number	Description Variation Number	Part Number	Index Number	Description Variation Number	Part Number
22	Screw, H.C. 3/8-16 x 1-1/4" 1	X-7-2	36	Roller (3) 1	234048
23	Washer, lock 3/8" 1	X-22-1	37	Pin, lever (3) 1	234047
24	Plug, vent (Discontinued not available at Kohler Co.) 1	270219	38	Screw (Discontinued not available at Kohler Co.) 1	234145
25	Key 1	X-286-8	39	Body, clutch 1	234041
26	Screw, H.C. 7/16-14 x 2" (4) 1	X-8-20	40	Screw, H.C. dog point (Discontinued not available at Kohler Co.) 1	234073
27	Washer, lock 7/16" (4) 1	X-23-1	41	Washer, lock 5/16" 1	X-21-1
28	Gasket, clutch 1	274042	41	Washer, lock 1/4" 1	X-22-11
29	Bearing, release 1	A-234053	42	Lock, adjusting 1	234043
30	Lock, screw (2) 1	234057	43	Spring, return (3) 1	234055
31	Link, connecting (6) 1	234050	44	Bearing 1	234042
32	Pin, link (short) (3) 1	234052	45	Plate, pressure 1	A-234045
33	Pin, cotter (9) (Discontinued not available at Kohler Co.) 1	X-36-4	46	Sleeve, release 1	234054
34	Pin, link (long) (3) 1	234051	47	Member, drive 1	A-234044
35	Lever (6) 1	234046	48	Ring, adjusting 1	234056

Group 7
CRANKCASE



Note: For additional Crankcase components, see page 35.

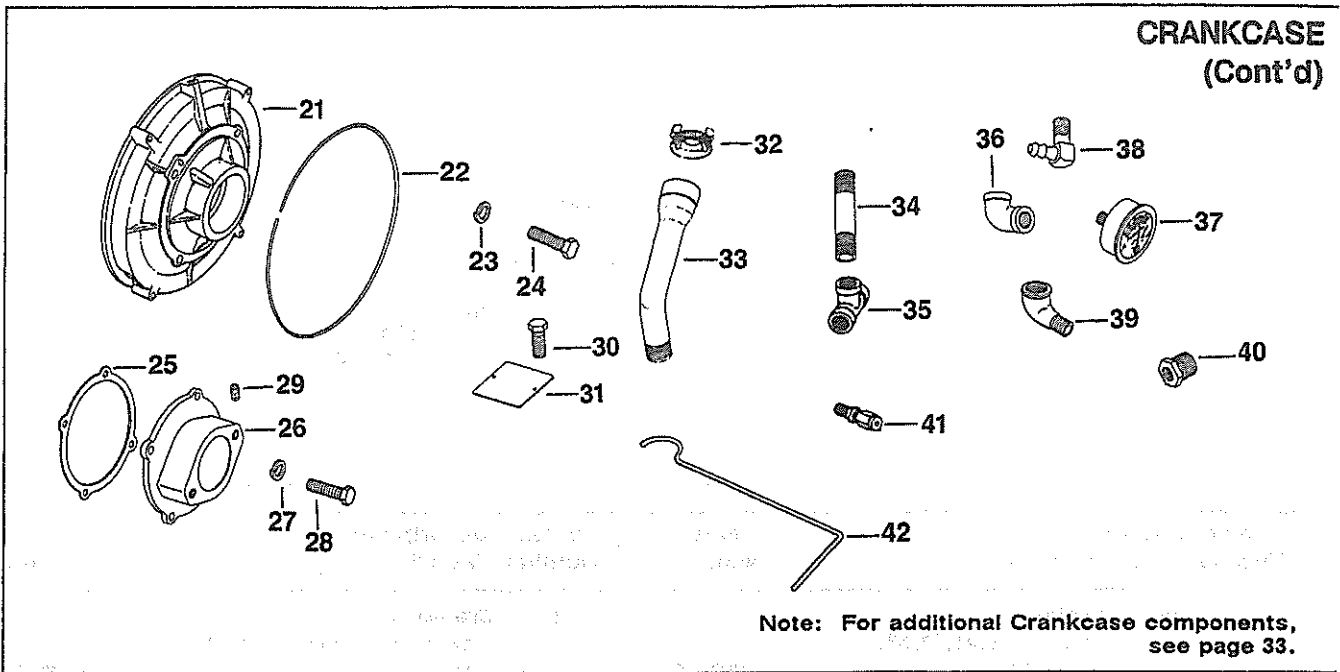
Index Number	Description Variation Number	Part Number	Index Number	Description Variation Number	Part Number
1	Oil seal, (rear) 27,38,39,41,43,47,49,50,51,53,54, 55,57,59,62,66,68,69,71,72,73,74, 75,76,77,78,79,81,84,503,504	277065	5	Gasket, closure plate 27,38,39,41,43,46,47,49,50,51,53, 54,55,57,59,62,65,66,68,69,71,72, 73,74,75,76,77,78,79,81,84,503, 504	277087
2	Plate, rear closure 41,69	277199	5	Gasket, rear closure plate (.005) 27,38,39,41,43,46,47,49,50,51,53, 54,55,57,59,62,65,66,68,69,71,72, 73,74,75,76,77,78,79,81,84,503	277103
2	Plate, rear closure (Discontinued not available at Kohler Co.) 50	48 009 01	5	Gasket, rear closure plate (.010) 27,38,39,41,43,46,47,49,50,51,53, 54,55,57,59,62,65,66,68,69,71,72, 73,74,75,76,77,78,79,81,84,503	277115
2	Plate, rear closure 46,53,65,66	48 009 11	6	Plate, rear closure 72	48 009 05
2	Plate, rear closure 54,79,504	48 009 13	7	Screw, hex hd. 3/8-16 x 1-1/4" (4) 27,38,39,41,43,46,47,49,50,51,53, 54,55,59,62,65,66,68,69,71,73,74, 75,76,77,78,79,81,84,503,504	270956
2	Plate, rear closure 57,76,77,81	48 009 14	7	Screw, hex hd. 3/8-16 x 1-1/2" (4) 72	270158
2	Plate, rear closure 38,47,62	48 009 16	8	Washer, lock 3/8" (4) 27,38,39,41,43,46,47,49,50,51,53, 54,55,57,59,62,65,66,68,69,71,72, 73,74,75,76,77,78,79,81,84,503	X-22-1
2	Plate, rear closure 43	48 009 08	9	Plug, welch 1-1/2" 27,38,39,41,43,46,47,49,50,51,53, 54,55,57,59,62,65,66,68,69,71,72, 73,74,75,76,77,78,79,81,84,503	160037
3	Bearing, ball 27,38,43,46,47,49,50,51,53,54,55, 57,59,62,65,66,68,71,72,73,74,75, 76,77,78,79,81,84,503,504	277062			
4	Ring, retaining 27,38,43,46,47,49,50,51,53,54,55, 57,59,62,65,66,68,71,72,73,74,75, 76,77,78,79,81,84,503,504	X-269-31			

CRANKCASE
(Cont'd)

K582

Index Number	Description Variation Number	Part Number	Index Number	Description Variation Number	Part Number
10	Bushing 27,38,39,41,43,46,47,49,50,51,53, 54,55,57,59,62,65,66,68,69,71,72, 73,74,75,76,77,78,79,81,84,503	277039	15	Pin, drive lock 3/16 x 5/8" (2) 27,38,39,41,43,46,47,49,50,51,53, 54,55,57,59,62,65,66,68,69,71,73, 74,75,76,77,78,79,81,84,503,504	X-599-2
11	Washer, thrust (2) 39,41,69	277121	15	Pin, drive lock (4) 39,41,69	277134
12	Guide, valve (4) 27,38,39,41,43,46,47,49,50,51,53, 54,55,57,59,62,65,66,68,69,71,72, 73,74,75,76,77,78,79,81,84,503	235007-S	16	Block assembly, cylinder 27,38,43,46,47,49,50,51,53,54,55, 57,59,62,65,66,68,71,72,73,74,75, 76,77,78,79,81,84,503,504	48 005 06
13	Bushing (Replaced by 48 158 03) 27,38,39,41,46,47,49,50,51,53,54, 55,57,59,62,65,66,68,69,71,72,73, 74,75,76,77,78,79,81,503,504	48 158 02	16	Block assembly, cylinder 39,41,69	48 005 03
14	Bearing, main (std.) (Replaced by 48 030 06) 27,38,46,47,49,50,51,53,54,55,57, 59,62,65,66,68,69,71,72,73,74,75, 76,77,78,79,81,503,504	48 030 03	17	Plug, pipe 27,39,41,43,46,49,50,51,53,57,59, 62,65,66,68,69,71,76,78,81,503, 504	47 139 01
14	Bearing, main (std.) (2) (Replaced by 48 030 06) 39,41	48 030 03	17	Plug, pipe (2) 38,47,54,55,72,74,84	47 139 01
14	Bearing, main (std.) 43,84	48 030 06	17	Plug, pipe 54,79	X-75-1
14	Bearing, main (.010 U.S.) 27,38,46,47,49,50,51,53,54,55,57, 59,62,65,66,68,69,71,72,73,74,75, 76,77,78,79,81,84,503,504	48 030 07	18	Plug, hex ctsk. 1/8" N.P.T.F. (3) 43,47,49,50,54,55,59,62,66,74,76, 78,81	X-75-23
14	Bearing, main (.010 U.S.) (2) 39,41	48 030 07	18	Plug, hex ctsk. 1/8" N.P.T.F. (2) 73	X-75-23
14	Bearing, main (.020 U.S.) 27,38,46,47,49,50,51,53,54,55,57, 59,62,65,66,68,69,71,72,73,74,75, 76,77,78,79,81,84,503,504	48 030 08	18	Plug, hex ctsk. 1/8" N.P.T.F. (4) 27,38,39,41,46,51,53,65,68,69,71,72, 75,84,503,504	X-75-23
14	Bearing, main (.020 U.S.) (2) 39,41	48 030 08	18	Plug, hex ctsk. 1/8" N.P.T.F. (5) 77,79	X-75-23
14	Bearing, main (.010 U.S.) 43	48 030 04	18	Plug, hex ctsk. 1/8" N.P.T.F. (6) 57	X-75-23
14	Bearing, main (.020 U.S.) 43	48 030 05	19	Connector, hose 51	X-380-1
			20	Insert, valve (4) 27,38,39,41,43,46,47,49,50,51, 53,54,55,57,59,62,65,66,68,69, 71,72,73,74,75,76,77,78,79,81, 84,503,504	230265

**CRANKCASE
(Cont'd)**

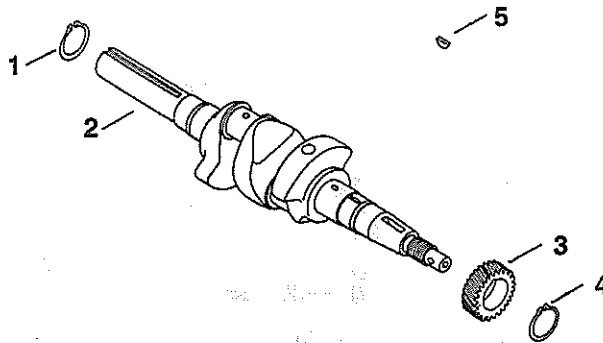


Note: For additional Crankcase components, see page 33.

Index Number	Description Variation Number	Part Number	Index Number	Description Variation Number	Part Number
21	Bracket, generator support		32	Cap, oil fill	
	39	277263		65,71,73,75,77,78,79	277442
22	Guard, generator fan		33	Tube, oil fill	
	39	241122		65,71,73,75,77,78,79	277140
23	Washer, lock 5/16" (2)		34	Nipple, pipe	
	39	X-22-5		39,59	47 136 02
24	Screw, H.C. 5/16-18 x 1-3/4" (2)		35	Tee, pipe	
	39	X-6-22		39,59	X-203-10
25	Gasket, pump adapter		36	Elbow, pipe	
	46,65	48 041 04		39,47,59,62	X-274-8
26	Adapter, pump		37	Gauge, oil	
	46	48 029 03		39,59	240981
26	Adapter, pump		38	Connector	
	65	48 029 05		62	25 155 02
27	Washer, lock 7/16" (4)		39	Elbow, street	
	43,46,65	X-23-1		27,38,41,43,46,50,51,53,57,65,69, 72,503,504	48 283 03
28	Screw, H.C. 7/16-14 x 1-1/2" (4)		40	Bushing, reducer	
	46,65	X-8-21		51,62	48 158 01
29	Plug, pipe 3/8"		40	Bushing	
	46,64	X-75-10		43,84	48 158 03
30	Screw, H.C. 1/2-13 x 1/2" (2)		41	Union, 1/8 x 1/8" (2)	
	46	X-9-21		54	X-343
31	Plate		42	Line, oil	
	46	48 146 02		54	48 353 04

K582

Group 8 CRANKSHAFT

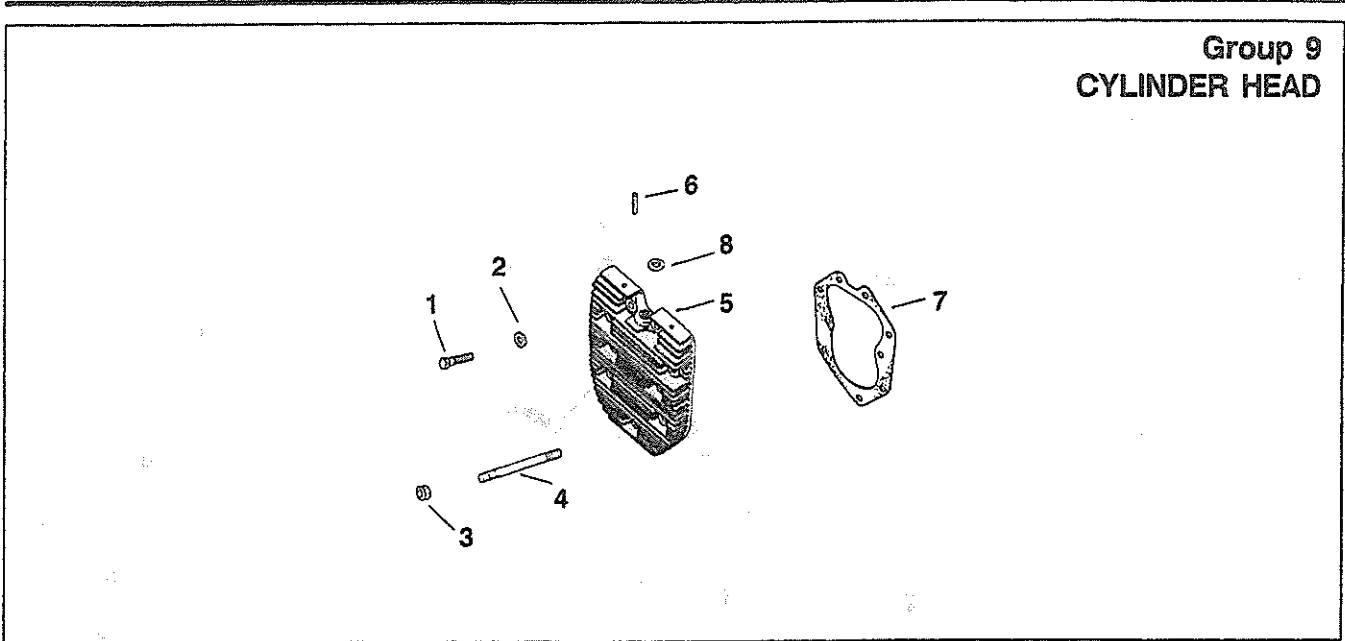


Index Number	Description Variation Number	Part Number	Index Number	Description Variation Number	Part Number
1	Ring, retaining 24,25,29,31,39,40,41,52,53, 54,56,58,61,501	X-269-30	2	Crankshaft (31/32" dia. taper x 3/16") 53	48 014 13*
2	Crankshaft (1-1/8" dia. x 2-31/64") 24	277659*	2	Crankshaft (1-7/16" dia. taper x 49/64") 54	48 014 14*
2	Crankshaft (1-1/8" dia. x 3-5/32") 29	277690*	2	Crankshaft, 11 tooth spline (1-11/16" dia. x 7/64") 58	48 014 18*
2	Crankshaft (generator set) (1-1/2" dia. x 2-55/64") 30	277696*	2	Crankshaft, 13' tooth spline (1-11/16" dia. x 7/64") 52,56	48 014 19*
2	Crankshaft (standard, tapped) (1-7/16" dia. x 4-29/64") 25,31	48 014 01*	2	Crankshaft, 13 tooth spline (1-19/32" dia. x 1-7/32") 61	48 014 23*
2	Crankshaft (standard, tapped) (1-7/16" dia. x 4-29/64") (Use before serial no. 1820300015) 501	48 014 01*	3	Gear, crankshaft (Replaced by 48 043 15) 24,25,29,30,31,32,39,40,41,52, 53,54,56,58,501	277009
2	Crankcase (clutch) (1-7/16" dia. x 2-3/8") 32	48 014 02*	3	Gear, crankshaft 61	48 043 15
2	Crankshaft (1-7/16" dia. x 2-55/64") 39	48 014 05*	4	Ring, retaining 24,25,29,30,31,32,39,40,41,52, 53,54,56,58,61,501	X-269-32
2	Crankshaft (1-7/16" dia. x 2-55/64") (Use after serial no. 1820300005) 501	48 014 05*	5	Key, woodruff 24,25,29,30,31,32,39,40,41,52, 53,54,56,58,61,501	X-42-15
2	Crankshaft (1-1/2" dia. 2-55/64") 40	48 014 06*	NOT ILLUSTRATED		
2	Crankshaft (1-1/4" dia. x 1-3/8") 41	48 014 11*		Kit, spline 52,56,61	48 755 21
				Kit, spline 58	48 755 23

*Note: Crankshaft dimensions listed are for PTO end, outside the cylinder block.

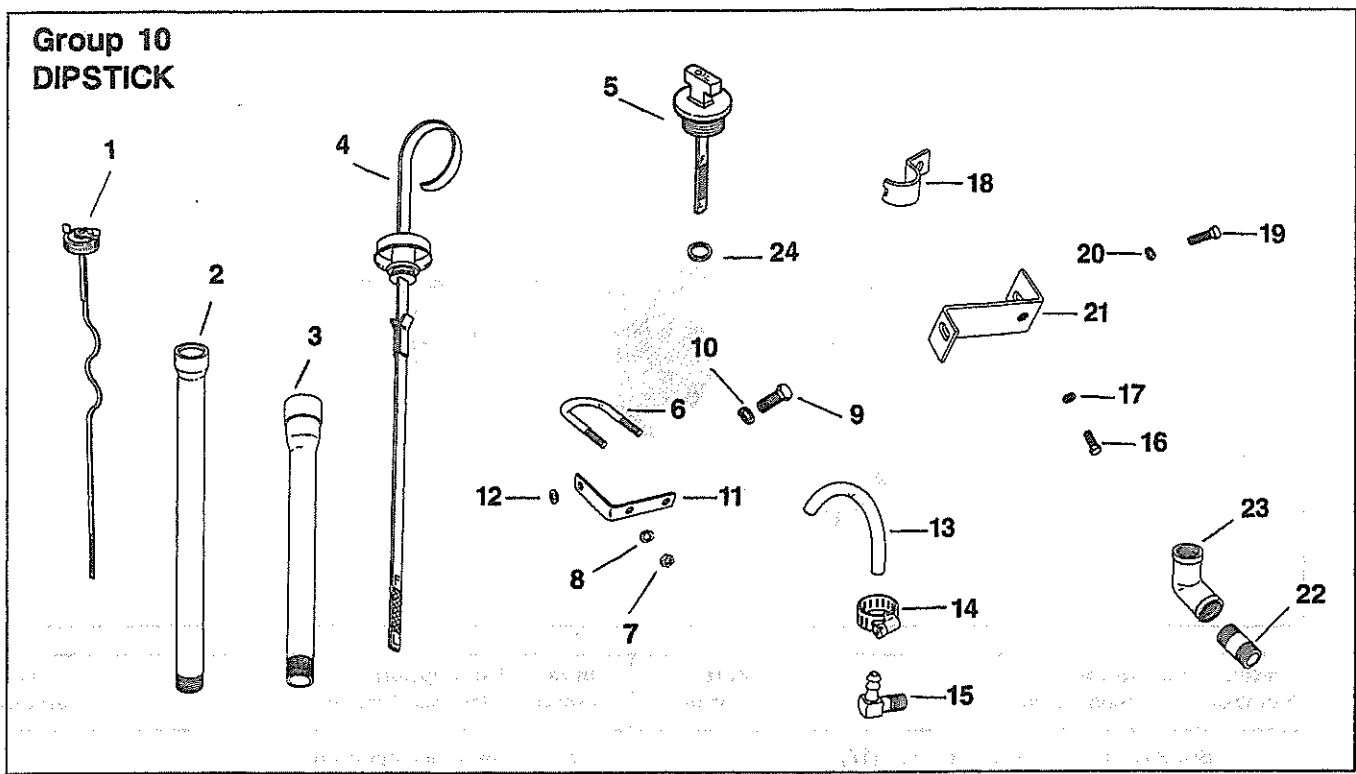
K582

Group 9 CYLINDER HEAD



Index Number	Description Variation Number	Part Number	Index Number	Description Variation Number	Part Number
1	Screw, H.C. 3/8-16 x 1-1/2" (17) 9,11,12	270158	5	Head, #1 cylinder 12	48 015 03
1	Screw, H.C. 3/8-16 x 1-1/2" (18) 6,7,8	270158	5	Head, #2 cylinder 12	48 015 04
1	Screw, H.C. 3/8-16 x 1-15/16" 9,11	272427	6	Pin, roll 3/16 x 1-1/8" (2) 6,7,9,11,12	48 133 03
2	Washer 3/8" (18) 6,7,8,9,11,12	270889	7	Gasket, cylinder head (2) (Replaced by 48 041 10) 6,7,8,9,12	48 052 01
3	Nut, hex 12	X-83-2	7	Gasket, cylinder head (2) (Replaced by 48 041 10) 11	48 052 01
4	Stud 12	48 072 05	8	Washer, hi-temp cut-out 9,11	47 468 07
5	Head, cylinder (2) 7,11	277377			
5	Head, cylinder (2) 6,8,9	48 015 02			

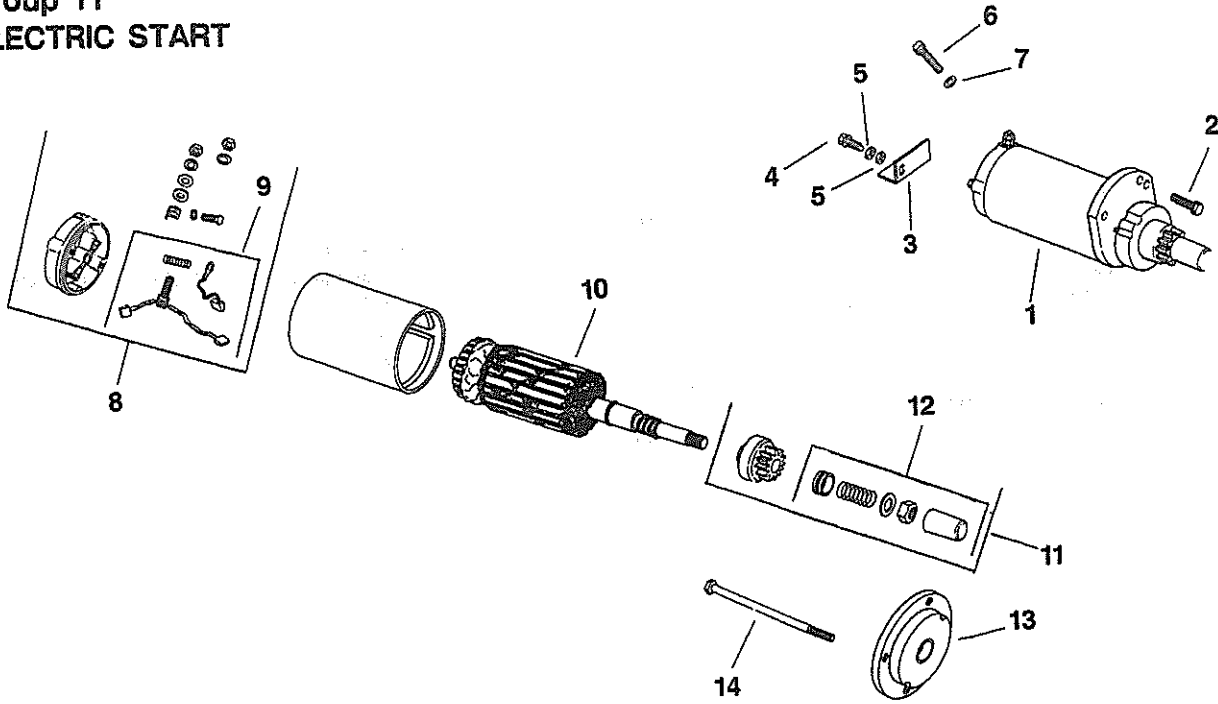
**Group 10
DIPSTICK**



Index Number	Description Variation Number	Part Number	Index Number	Description Variation Number	Part Number
1	Dipstick, 12-1/4" blade 4,501	277357	3	Tube, oil fill (Use after serial no. 13093019)	271825
1	Dipstick, 12-1/4" blade (Use before serial no. 13093020) 502	277357	3	Tube, oil fill 11	277723
1	Dipstick, 16-1/2" blade 5	277401	3	Tube, oil fill (Discontinued not available at Kohler Co.)	
1	Dipstick, 14-1/4" blade 8	277668	12	Tube, oil fill (Discontinued not available at Kohler Co.)	48 538 03
1	Dipstick, 14-1/4" blade (Use after serial no. 13093019) 502	277668	3	Tube, oil fill (Discontinued not available at Kohler Co.)	
1	Dipstick, 6-17/64" blade 11,14	277721	14	Tube, oil fill	48 538 04
1	Dipstick, 15-11/32" blade 10	48 272 01	4	Dipstick, 14-35/64" blade 15	48 272 06
1	Dipstick, 7-17/64" blade (Discontinued not available at Kohler Co.) 12	48 272 05	5	Dipstick, 3-7/64" blade 16	48 038 02
1	Dipstick 16-5/32" 9	48 272 02	6	U-bolt 5	X-397-6
2	Tube, dipstick 9-5/8" 4,501	271829	7	Nut, hex 1/4"-20 (2) 5	X-81-1
2	Tube, dipstick 9-5/8" (Use before serial no. 13093020) 502	271829	8	Washer, lock 1/4" (2) 5	X-20-1
2	Tube, dipstick 17-1/2" 5	277403	9	Screw, H.C. 7/16-14 x 1" 5	X-8-7
2	Tube, dipstick 14-1/4" 15	48 123 09	10	Washer, lock 7/16" 5	X-23-1
2	Tube, dipstick 14-15/16" 9,10	48 538 01	11	Bracket, dipstick 5	48 126 10
3	Tube, oil fill 8	271825	12	Spacer 5	X-400-64
			13	Line, flex 5	25 353 14
			13	Hose (Discontinued not available at Kohler Co.) 14	X-386-63

Index Number	Description Variation Number	Part Number	Index Number	Description Variation Number	Part Number
14	Clamp, hose (2) 5,14	X-426-9	20	Washer, lock 7/16" 15	X-22-29
15	Connector 90° 5	25 155 02	21	Bracket 15	48 126 14
15	Connector 90° 14	X-380-1	22	Pipe, nipple 11,14	48 136 02
16	Screw, pan hd. 10-24 x 7/16" 15	48 086 08	23	Elbow, 90° (Discontinued not available at Kohler Co.) 11,14	48 283 04
17	Washer 15	X-22-9	24	Ring, "O" 16	48 153 03
18	Clip 15	52 154 01			
19	Screw, H.C. 7/16-14 x 3/4" 15	X-8-11			

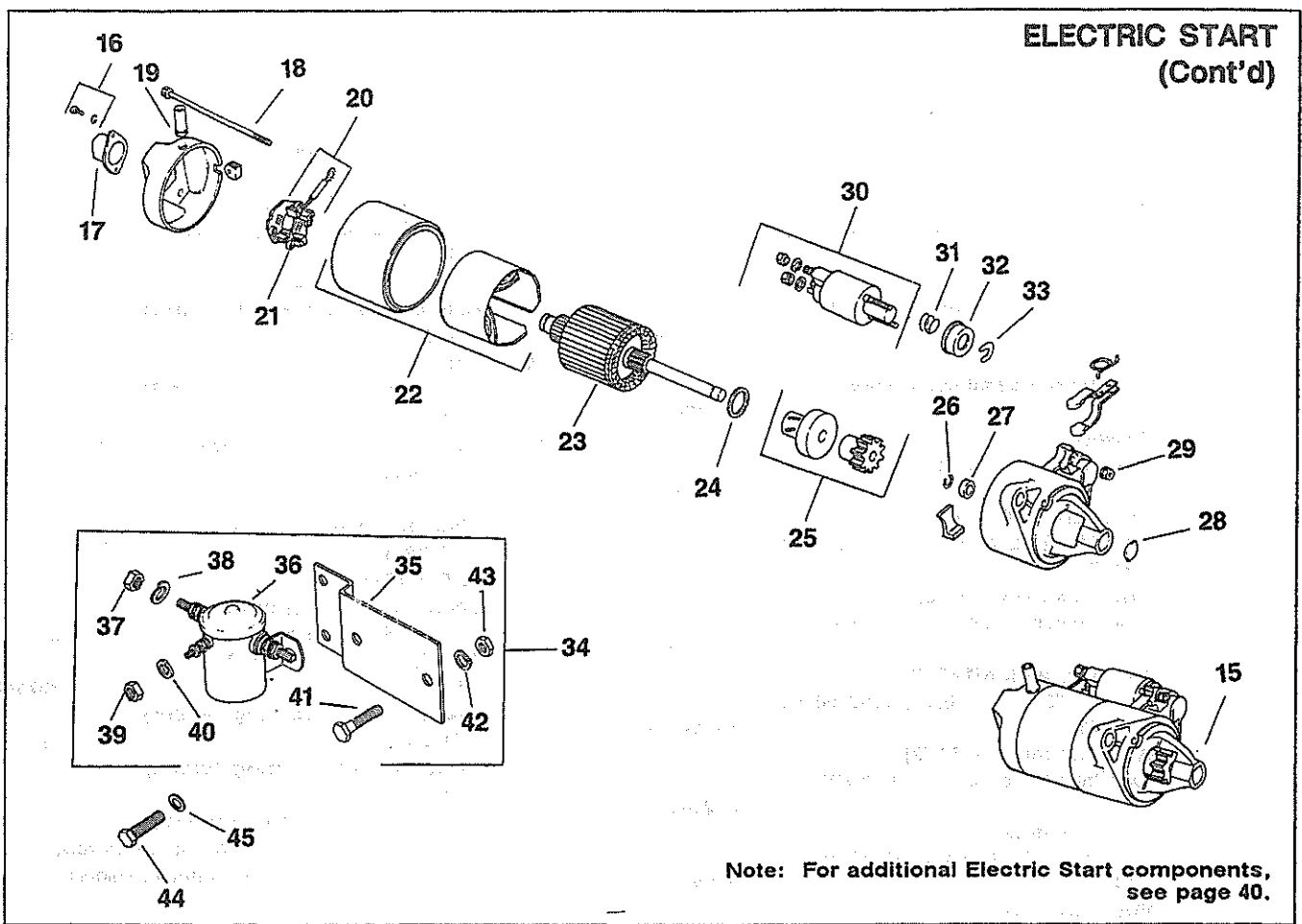
**Group 11
ELECTRIC START**



Note: For additional Electric Start components, see page 41.

Index Number	Description Variation Number	Part Number	Index Number	Description Variation Number	Part Number
1	Starter assembly (Includes 8-14) 11,21,26,32,36,39,47,50,51,52,53, 55,56,58,61,65,68,71,501,502,503	48 098 02	8	Cap, commutator end (Includes 9) 11,21,26,32,36,39,41,47,49,50, 51,52,53,55,56,58,61,65,68,69, 71,501,502,503	48 227 04
1	Starter assembly (Includes 8-14) 41,49,69	48 098 01	9	Kit, brush and spring (Replaced by 52 755 15) 11,21,26,32,36,39,41,47,49,50,51, 52,53,55,56,58,61,65,68,69,71, 501,502,503	48 755 15
2	Screw, sems H.C. 5/16-18 x 7/8" (3) 11,21,26,32,36,39,41,47,49,50,51, 52,53,55,56,58,61,65,68,71,501, 502,503	X-154-1	10	Armature assembly 11,21,26,32,36,39,41,47,49,50,51, 52,53,55,56,,58,61,65,68,69,71, 501,502,503	277605
2	Screw, H.C. 3/8-16 x 1" (2) 57	X-159-3	11	Kit, starter drive (Includes 12) 11,21,26,32,36,39,41,47,49,50, 51,52,53,55,56,58,61,65,68,69, 71,501,502,503	48 755 02
2	Screw, H.C. 5/16-18 x 1" (2) 69	X-154-2	12	Kit, drive parts 11,21,26,32,36,39,41,47,49,50, 51,52,53,55,56,58,61,65,68,69, 71,501,502,503	48 755 13
3	Bracket, starter support 41,49,69	48 161 04	13	Cap, drive end 11,21,26,32,36,39,47,50,51,52,53, 55,56,58,61,65,68,71,501,502,503	48 227 03
4	Screw, self-tapping 1/4-20 x 3/4" 41,49,69	X-67-62	13	Cap, drive end 41,49,69	48 227 02
5	Washer, plain 3/8" (3) 41	X-25-41	14	Thru bolt w/washer (2) 11,21,26,32,36,39,41,47,49,50,51, 52,53,55,56,58,61,65,68,69,71, 501,502,503	48 211 01
5	Washer, plain 3/8" (2) 49,69	X-25-41			
6	Screw, sems 5/16-18 x 3/4" 41,49,69	X-6-11			
7	Washer, lock 5/16" 49,69	X-21-1			
7	Washer, star 5/16" 41	X-22-16			
7	Washer, plain 5/16" 41,69	X-25-20			

**ELECTRIC START
(Cont'd)**



Note: For additional Electric Start components, see page 40.

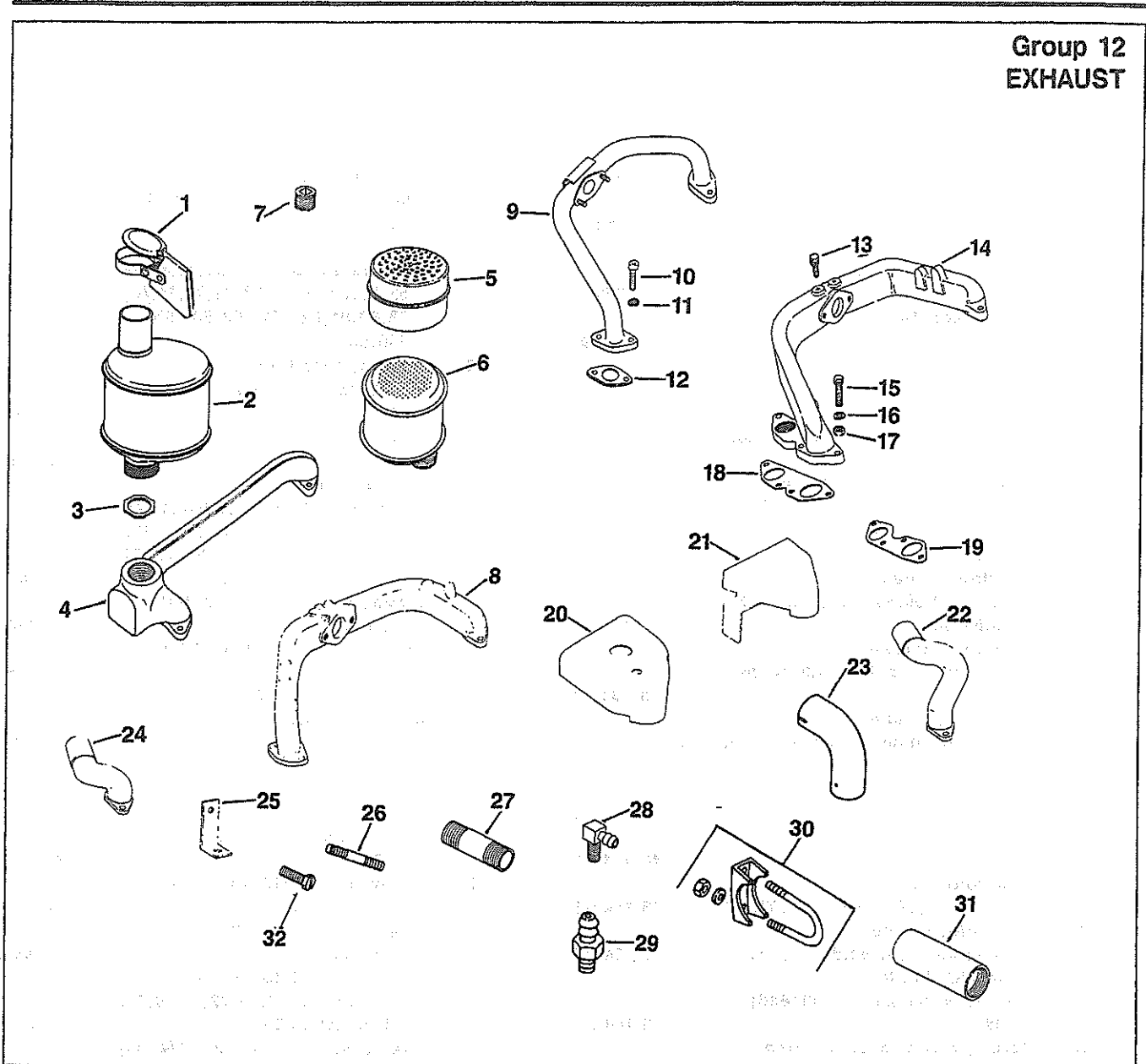
Index Number	Description Variation Number	Part Number	Index Number	Description Variation Number	Part Number
15	Starter assembly (Includes 16-32)		26	Ring, snap 57	48 140 01
16	Screw w/washer (2) 57	48 098 03	27	Collar, pinion stop 57	48 241 01
17	Cover, end frame 57	48 086 07	28	Cover, starter housing 57	48 096 08
18	Bolt, thru (2) 57	48 096 09	29	Nut (2) 57	48 100 03
19	Boot, rubber 57	48 211 02	30	Switch assembly, magnetic 57	48 099 06
20	Kit, brush (Includes 21) 57	48 131 01	31	Spring, break 57	48 089 05
21	Spring, brush (4) 57	48 755 22	32	Cover, plunger 57	48 096 07
22	Yoke 57	48 089 04	33	Plate, lock 57	48 146 06
23	Armature 57	48 471 04	34	Bracket assembly, solenoid (Includes 35-43) 11, 26, 32, 39, 47, 50, 51, 52, 53, 56, 58, 61, 71	48 217 04
24	Seal, rubber (Discontinued not available at Kohler Co.) 57	48 170 01	34	Bracket assembly, solenoid (Includes 35-43) (Use before serial no. 12112920) 503	48 217 04
25	Clutch, over-running (Discontinued not available at Kohler Co.) 57	48 032 01			
		48 239 01			

ELECTRIC START
(Cont'd)

K582

Index Number	Description Variation Number	Part Number	Index Number	Description Variation Number	Part Number
35	Bracket, solenoid 11,26,32,39,47,50,51,52,53,56,58, 61,68,71	48 126 15	42	Washer, lock 1/4" (2) (Use before serial no. 12112920) 503	X-20-1
35	Bracket, solenoid (Use before serial no. 12112920) 503	48 126 15	43	Nut, hex 1/4"-20 (2) 11,26,32,39,47,50,51,52,53,56,58, 61,71	X-81-1
36	Solenoid 11,26,32,39,47,50,51,52,53,55,56, 58,61,71	48 404 03	43	Nut, hex 1/4"-20 (2) (Use before serial no. 12112920) 503	X-81-1
36	Solenoid (Use before serial no. 12112920) 503	48 404 03	44	Screw, sems hex hd. 1/4-20 x 1/2" (2) 11,26,32,39,47,50,52,53,56,58, 61,68,71	X-132-6
36	Solenoid (Use before serial no. 1630000015) 501	48 404 03	44	Screw, sems hex hd. 1/4-20 x 1/2" (2) (Use before serial no. 12112920) 503	X-132-6
37	Nut, hex 5/16"-18 (2) 11,26,32,39,47,50,51,52,53,56,58, 61,71	X-77-2	45	Washer, plain 1/4" (2) 26,32,47	X-25-53
37	Nut, hex 5/16"-18 (2) (Use before serial no. 12112920) 503	X-77-2	NOT ILLUSTRATED		
38	Washer, lock 5/16" (2) 11,26,32,39,47,50,51,52,53,56,58, 61,71	X-21-1		Decal, warning (white) 11,51,55,57,65,502	237447
38	Washer, lock 5/16" (2) (Use before serial no. 12112920) 503	X-21-1		Decal, warning (black) 56	237448
39	Nut, hex 8-32 11,26,32,39,47,50,51,52,53,56,58, 61,71	X-72-4		Decal, 12 volt warning (white) 51,55,502	277356
39	Nut, hex 8-32 (Use before serial no. 12112920) 503	X-72-4		Decal, 12 volt warning (black) 56	277365
40	Washer, lock #8 11,26,32,39,47,50,51,52,53,56, 58,61,71	X-18-2		Lead, black, coil to connector (11"-14 gauge - uninsulated push on tab, #10 insulated grip barrel eyelet terminals) 71	47 518 20
40	Washer, lock #8 (Use before serial no. 12112920) 503	X-18-2		Lead, solenoid to connector (Discontinued not available at Kohler Co.) 71	47 518 29
41	Screw, H.C. 1/4-20 x 1/2" (2) 11,26,32,39,47,50,51,52,53,56,58, 61,71	X-5-13		Lead, black (6"- 6 gauge - 5/16" and 1/4" insulated grip barrel eyelet terminals) 26,32,39,47,50,51,52,53,56,58, 61,71	48 518 12
41	Screw, H.C. 1/4-20 x 1/2" (2) (Use before serial no. 12112920) 503	X-5-13		Lead (6" - 6 gauge - 5/16" and 1/4" insulated grip barrel eyelet terminals) (Use before serial no. 12112920) 503	48 518 12
42	Washer, lock 1/4" (2) 11,26,32,39,47,50,51,52,53,56,58, 61,71	X-20-1		Lubricant, starter 11,21,26,32,36,39,41,47,49,50, 51,52,53,55,56,58,61,65,68,69, 71,501,502,503	52 357 01

Group 12
EXHAUST



Index Number	Description Variation Number	Part Number	Index Number	Description Variation Number	Part Number
1	Cap, muffler 19,72,81	277363	4	Manifold, exhaust (Use after serial no. 8081999) 502	277219
2	Muffler 19,72,81,505	277364	4	Manifold, exhaust 23,29,60	277482
3	Nut, lock 1-1/2" 19,72,81	156153	4	Manifold, exhaust 25,59,68,78,80	48 164 08
4	Manifold, exhaust 9,19,33,42,72,74,501,504,505	277013	5	Muffler 506	48 068 02
4	Manifold, exhaust (Use before serial no. 11114073) 66	277013	5	Muffler (Use after serial no. 2112800005) 82	48 068 02
4	Manifold, exhaust (Use before serial no. 8082000) 502	277013	5	Muffler (2) 37	275679
4	Manifold, exhaust 7,48,49,76,81	277219	5	Muffler (2) 70	275679

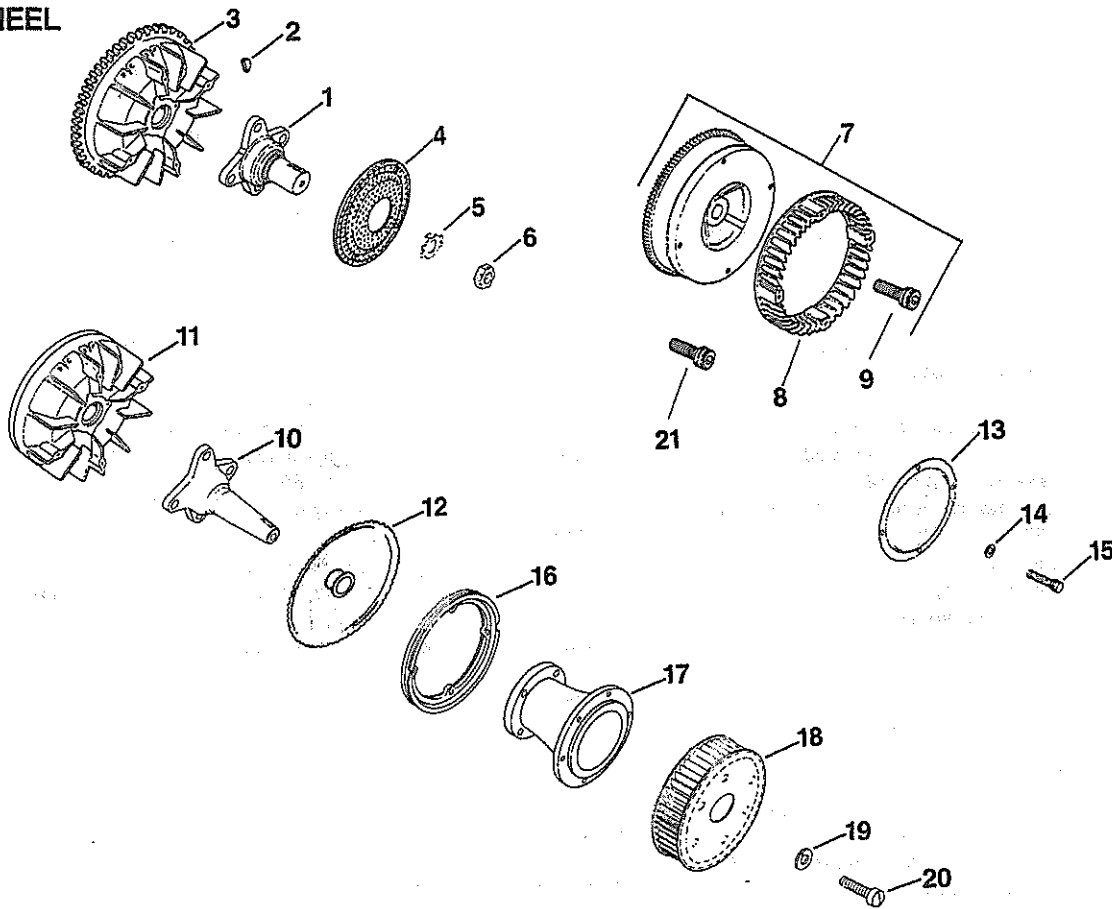
EXHAUST
(Cont'd)

K582

Index Number	Description Variation Number	Part Number	Index Number	Description Variation Number	Part Number
5	Muffler (2) (Use before serial no. 9846603) 503	275679	11	Washer, lock (2) 506	X-23-1
6	Muffler 504	277066	11	Washer, lock (2) (Use after serial no. 2112800005) 82	X-23-1
6	Muffler (Use before serial no. 9066540) 501	277066	12	Gasket, manifold (2) 7,9,19,23,25,29,33,39,42,48,49, 52,55,59,60,64,68,72,73,74,76, 78,80,81,82,501,502,504,505, 506,508	277091
7	Plug, pipe 1-1/4" 68,78	X-75-19	12	Gasket, manifold (2) (Use before serial no. 11114073) 66	277091
7	Plug, pipe 33,66	X-75-23	12	Gasket 34,37,61,65,503	48 041 12
7	Plug, pipe 1-1/2" 7,23,25,29,48,49,59,60,76,80,81	X-75-37	12	Gasket, intake (2) 7,9,19,23,25,29,33,39,42,46,48, 49,52,55,59,60,64,68,69,71,72, 73,74,76,77,78,79,80,81,82,501, 502,504,505,506,508	48 052 02
7	Plug, pipe 1-1/2" (Use after serial no. 8081999) 502	X-75-37	13	Screw, hex 5/16-18 x 2-3/4" 59,78,80	25 086 06
8	Manifold, intake 33,66	48 164 05	13	Screw, hex 5/16-18 x 1" (2) 64	25 086 08
8	Manifold, intake 39,55,59,60,64,69,72,73,74,76, 79,81,506	48 164 03	13	Screw, sems H.C. 5/16-18 x 1-1/2" (4) 34,37,65,70,503	41 086 14
8	Manifold, intake (Use before serial no. 12031826) 508	48 164 03	13	Screw, H.C. 5/16-18 x 2-1/2" (2) 73,82,506	X-125-11
8	Manifold, intake (Discontinued not available at Kohler Co.) 71	48 164 10	13	Screw, H.C. 5/16-18 x 2-3/4" (Replaced by 25 086 06) 23,25,29,60,68	X-125-14
8	Manifold, intake 77	48 164 12	13	Screw, H.C. 5/16-18 x 1" (2) 39,52,55,508	X-154-2
8	Manifold, intake 78	48 164 13	13	Screw, H.C. 5/16-18 x 1" 73,82,506	X-154-2
9	Manifold, intake 7,9,19,25,29,46,48,501,502,503	48 164 02	13	Screw, H.C. 5/16-18 x 1-1/4" (4) 7,9,19,33,42,48,49,72,74,76,81, 501,502,504,505	X-154-4
9	Manifold, intake 23,42,49,52,61,68,80,82,504	48 164 07	13	Screw, H.C. 5/16-18 x 1-1/4" (4) (Use before serial no. 11114073) 68	X-154-4
9	Manifold, intake (Use after serial no. 12031825) 508	48 164 07	13	Screw, H.C. 5/16-18 x 1-1/4" (3) 23,25,29,59,60,68,78,80	X-154-4
10	Screw, hex socket hd. cap 5/16-18 x 1-1/4" (4) 7,9,19,23,25,29,33,39,42,46,48, 49,52,55,59,60,61,64,66,68,69,71, 72,73,74,76,77,78,79,80,81,82, 501,582,504,505,506,508	X-55-15	13	Screw, H.C. 5/16-18 x 1-1/4" 73,82,506	X-154-4
11	Washer, lock 5/16" (2). 34,37,48,65,70,503	X-21-1	13	Screw, H.C. 5/16-18 x 1/2" (4) 25,78,80	X-6-1
11	Washer, lock 5/16" (6) 39,52,55,73,82,506,508	X-21-1	14	Manifold, intake 34,37,65,70,503	277627
11	Washer, lock 5/16" (4) 7,9,19,33,42,46,49,60,61,66,69, 71,72,74,76,77,79,81,501,502, 504,505	X-21-1	15	Screw, H.C. (2) 34,37,65,70,503	41 086 02
11	Washer, lock 5/16" (5) 23,29,59,68	X-21-1	15	Screw H.C. (2) 506	X-8-7.
11	Washer, lock 5/16" (8) 64	X-21-1	15	Screw H.C. (2) (Use after serial no. 2112800005) 82	X-8-7
11	Washer, lock 5/16" (9) 25,80	X-21-1	16	Washer, plain (2) 39,52,55,64,508	X-25-20
11	Washer, lock 5/16" (10) 78	X-21-1	16	Washer, plain (4) 33	X-25-20

Index Number	Description Variation Number	Part Number	Index Number	Description Variation Number	Part Number
16	Washer, plain (4) (Use before serial no. 11114073) 66	X-25-20	24	Elbow, exhaust cylinder #2 39,52,55,64,73,82,506,508	48 054 05
16	Washer, flat (2) 506	X-25-34	25	Strap, lifting (2) 7,9,19,23,25,29,33,34,37,39,42,46, 48,49,52,55,59,60,61,64,65,66,68,69,70, 72,73,74,76,78,79,80,81,82,501,502, 503,504,505,506,508	47 445 02
16	Washer, flat (2) (Use after serial no. 2112800005) 82	X-25-34	25	Strap, lifting(2) 71,77,83	52 445 02
17	Nut, hex 5/16"-18 (2) 39,52,55,64,508	X-82-2	26	Stud (4) (Replaced by 41 072 19) 23,29,60	235899
17	Nut, hex 5/16"-18 (2) 39,52,55,64,508	X-77-2	26	Stud (2) 39,52,55,64,508	48 072 04
18	Gasket (Replaced by 48 041 11) 34,37,61,65,66,70,503	277628	27	Nipple (2) 37,65	48 136 01
18	Gasket, intake (2) (Use before serial no. 11114073) 66	48 052 02	27	Nipple 70	48 136 01
18	Gasket (Replaced by 48 041 11) (Use after serial no. 11114072) 66	277628	27	Nipple (2) (Use before serial no. 9846603) 503	48 136 01
19	Gasket, manifold 70	277629	28	Connector, hose 77,78	25 155 02
19	Gasket, manifold (Use after serial no. 11114072) 66	277629	29	Connector, hose 78	X-380-1
20	Cover, exhaust elbow cyl. #1 39,52,55,64,508	48 096 01	30	Clamp, muffler (3) 506	237548
21	Cover, exhaust elbow cyl. #2 39,52,55,508	48 096 02	30	Clamp, muffler (3) (Use after serial no. 2112800005) 82	237548
21	Cover, exhaust elbow cyl. #2 64	48 096 10	31	Spacer (2) 506	25 112 07
22	Elbow, exhaust cylinder #1 39,52,55,64,73,82,506,508	48 054 04	31	Spacer (2) (Use after serial no. 2112800005) 82	25 112 07
23	Elbow, exhaust 506	45 054 21	32	Screw, H.C. 5/16-18 x 5/8" (2) 83	X-6-12

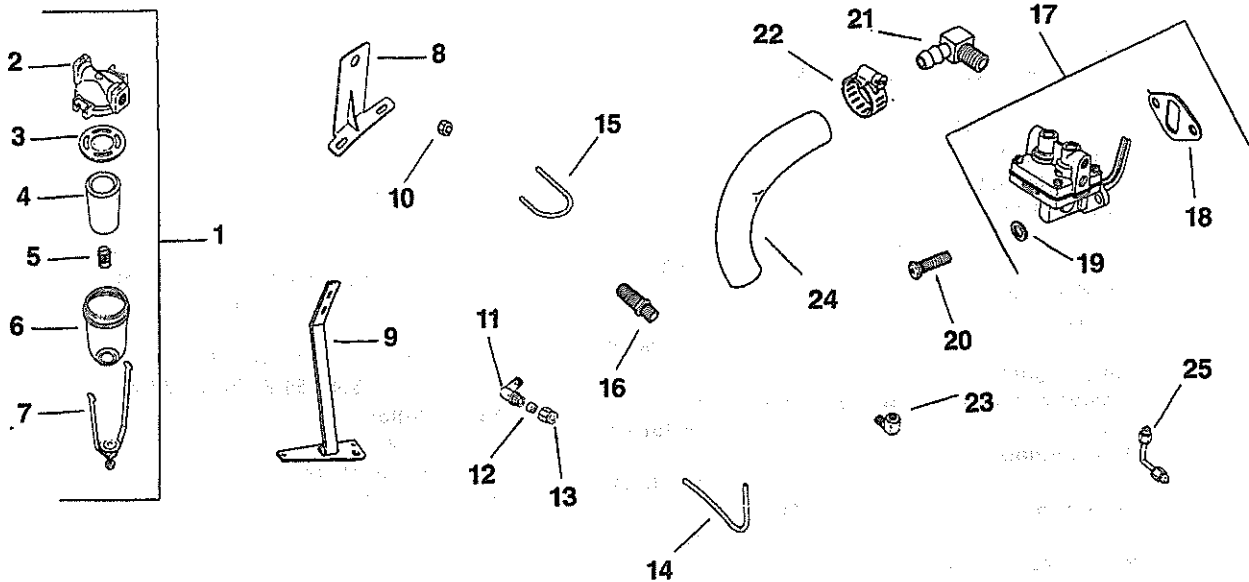
**Group 13
FLYWHEEL**



Index Number	Description Variation Number	Part Number	Index Number	Description Variation Number	Part Number
1	Shaft, front drive (1-1/8" dia.) 45,61,504	277637	3	Flywheel 78 Before serial no. 14056211 use:	48 025 14
1	Shaft, front drive (1-1/8" dia.) (Use after serial no. 15140328)		3	Flywheel 81 Before serial no. 15140329 use:	48 025 23
1	Shaft, front drive (1" dia.) (Discontinued not available at Kohler Co.)	277637	4	Screen, grass 54,55,64,73,82,501,502,503	48 025 16
1	Shaft, front drive 77,83	48 144 13	4	Screen, grass (Use before serial no. 10171388)	48 025 14
2	Key, woodruff 29,41,44,45,49,52,54,55,59,61,64,66, 68,70,72,73,74,77,78,79,80,81,82,83, 85,503,504,505	X-45-3	4	Screen, grass 505	48 162 01
2	Key, woodruff (2) 501,502	X-45-3	4	Screen, grass 44,59,61,72,77,83	48 162 02
3	Flywheel 59,66,77,82	48 025 16	4	Screen, grass (Use after serial no. 15140328)	48 162 02
3	Flywheel 29,41,44,45,54,55,61,64,68,72,73,79, 83,501,502,503,504,505	48 025 14	4	Screen, grass 81	48 162 09
			4	Screen, grass 68	48 162 09
			4	Screen, grass (Use after serial no. 10171387)	48 162 09
				505	48 162 09

Index Number	Description Variation Number	Part Number	Index Number	Description Variation Number	Part Number
5	Nut, lock 29,41,44,45,49,52,54,55,59,61,64, 66,68,70,72,73,74,77,78,79,80,81, 82,83,85,501,502,503,504,505	277595	13	Screen, grass 29	277470
6	Nut, hex 1/4" 29,41,44,45,49,52,54,55,59,61,64, 66,68,70,72,73,74,77,78,79,80,81, 82,83,85,501,502,503,504,505	X-80-1	13	Screen, grass (Use before serial no. 15140329) 81	277470
7	Flywheel assembly (Includes 8,9) 80	48 025 28	13	Screen, grass 52	277023
7	Flywheel assembly (Includes 8,9) 85	48 025 29	14	Washer, plain 1/4" (4) 29,45,54,55,59,61,64,68,72,73,77, 79,81,82,83,501,502,503,505	X-25-52
8	Fan, engine (Discontinued not available at Kohler Co.) 80	48 157 01	15	Screw, H.C. 3/8-16 x 1" (4) (Use after serial no. 15140328) 81	X-159-2
8	Fan, engine 85	48 157 02	15	Screw, H.C. 3/8-16 x 1" (4) 44,45,49,59,61,72,74,77,83	X-159-2
9	Screw, hex socket hd. cap (4) 80,85	25 086 31	16	Pulley 52	277016
10	Shaft, front drive (tapered) 59,72	48 144 06	17	Support, rotor 49,74	48 161 03
11	Flywheel 49	48 025 04	18	Rotor 49,74	48 414 01
11	Flywheel 52	48 025 08	19	Washer, lock #10 (6) 49,74	X-19-1
11	Flywheel 74	48 025 20	20	Screw, R.H.M. 10-24 x 7/16" (6) 49,74	X-50-15
11	Flywheel 70	48 025 24	20	Screw, phillips 1/4-20 x 5/8" (4) 29,44,45,54,55,59,61,64,68,72,73, 77,79,81,82,83,501,502,503,505	47 086 08
12	Screen, grass 79	277017	20	Screw, truss hd. 1/4-20 x 7/8" (4) 52	X-166-1
			21	Screw, trigger 85	48 086 16

**Group 14
FUEL PUMP**



Note: For additional Fuel Pump components, see page 52.

Index Number	Description Variation Number	Part Number	Index Number	Description Variation Number	Part Number
1	Filter assembly, fuel (Includes 2-7) 10,23,30,503	A-201073	2	Body, filter (Use before serial no. 8296107) (Discontinued not available at Kohler Co.) 505	270785
1	Filter assembly, fuel (Includes 2-7) (Use before serial no. 13169252) 512	A-201073	3	Gasket, bowl 10,23,30,503	270690
1	Filter assembly, fuel (Includes 2-7) (Use before serial no. 1730800015) 504,506,507,511	A-201073	3	Gasket, bowl (Use before serial no. 13169252) 512	270690
1	Filter assembly, fuel (Includes 2-7) (Use before serial no. 8296107) 505	A-201073	3	Gasket, bowl (Use before serial no. 1730800015) 504,506,507,511	270690
2	Body, filter (Discontinued not available at Kohler Co.) 10,23,30,503	270785	3	Gasket, bowl (Use before serial no. 8296107) 505	270690
2	Body, filter (Use before serial no. 13169252) (Discontinued not available at Kohler Co.) 512	270785	4	Element, filter 10,23,30,503	270782
2	Body, filter (Use before serial no. 1730800015) (Discontinued not available at Kohler Co.) 504,506,507,511	270785	4	Element, filter (Use before serial no. 13169252) 512	270782
			4	Element, filter (Use before serial no. 1730800015) 504,506,507,511	270782
			4	Element, filter (Use before serial no. 8296107) 505	270782

Index Number	Description Variation Number	Part Number	Index Number	Description Variation Number	Part Number
5	Retaining spring, filter 10,23,30,503	270783	11	Elbow, 90° (Use before serial no. 13093020)	
5	Retaining spring, filter (Use before serial no. 13169252)		502		231510
	512	270783	11	Elbow, 90° (Use before serial no. 8296107)	
5	Retaining spring, filter (Use before serial no. 1730800015)		505		231510
	504,506,507,511	270783	11	Elbow, 90° (Use before serial no. 13169252)	
5	Retaining spring, filter (Use before serial no. 8296107)		512		231510
	505	270783	11	Elbow, 90° (Use for serial numbers 10136667 to 10171337, and 11002740 to 11187849)	
6	Bowl, filter 10,23,30,503	270691	513		231510
6	Bowl, filter (Use before serial no. 13169252)		12	Sleeve, tube (2) 16,23	220547
	512	270691	12	Sleeve, tube (2) (Use before serial no. 1730800015)	
6	Bowl, filter (Use before serial no. 1730800015)		511		220547
	504,506,507,511	270691	13	Nut, 7/16"-24 (2) 16,23	220786
6	Bowl, filter (Use before serial no. 8296107)		13	Nut, 7/16"-24 (2) (Use before serial no. 1730800015)	
	505	270691	511		220786
7	Retainer, spring 10,23,30,503	270784	14	Line, fuel (Discontinued not available at Kohler Co.)	
7	Retainer, spring (Use before serial no. 13169252)		23		277591
	512	270784	14	Line, fuel (Use before serial no. 1730800015)	
7	Retainer, spring (Use before serial no. 1730800015)		511		277591
	504,506,507,511	270784	15	Line, fuel 16	46 353 02
7	Retainer, spring (Use before serial no. 8296107)		16	Nipple, straight 10,23,30,503	277483
	506	270784	16	Nipple, straight (Use before serial no. 13169252)	
8	Bracket, fuel filter 23,30,503	277132	512		277483
8	Bracket, fuel filter (Use before serial no. 13169252)		16	Nipple, straight (Use before serial no. 1730800015)	
	512	277132	504,506,507,511		277483
8	Bracket, fuel filter (Use before serial no. 1730800015)		16	Nipple, straight (Use before serial no. 8296107)	
	504,506,507,511	277132	505		277483
8	Bracket, fuel filter (Use before serial no. 8296107)		17	Kit, fuel pump (Includes 18,19[qty. 2])	
	505	277132	30,31,34,36,42,43,44,46,509, 510,512		48 559 01
9	Bracket, fuel filter 10	48 126 12	17	Kit, fuel pump (Includes 18,19[qty. 2]) (Use after serial no. 9602772)	
10	Nut, hex 1/2"-13 10,23,30	X-89-7	508		48 559 01
10	Nut, hex 1/2"-13 (Use before serial no. 13169252)		17	Kit, fuel pump (Includes 18,19[qty. 2]) (Use before serial no. 1730800015)	
	512	X-89-7	506,507		48 559 01
10	Nut, hex 1/2"-13 (Use before serial no. 1730800015)		17	Kit, fuel pump (Includes 18,19[qty. 2]) (Use before serial no. 8296107)	
	506,507,511	X-89-7	505		48 559 01
10	Nut, hex 1/2"-13 (Use before serial no. 8296107)		17	Kit, fuel pump (Includes 18,19[qty. 2]) (Use before serial no. 1730800015)	
	505	X-89-7	506,507		48 559 01
11	Elbow, 90° 16,23,30,31,503,509	231510	17	Kit, fuel pump (Includes 18,19[qty. 2]) (Use before serial no. 8296107)	
11	Elbow, 90° (Use before serial no. 1730800015)		505		48 559 01
	504,506,507,511	231510			

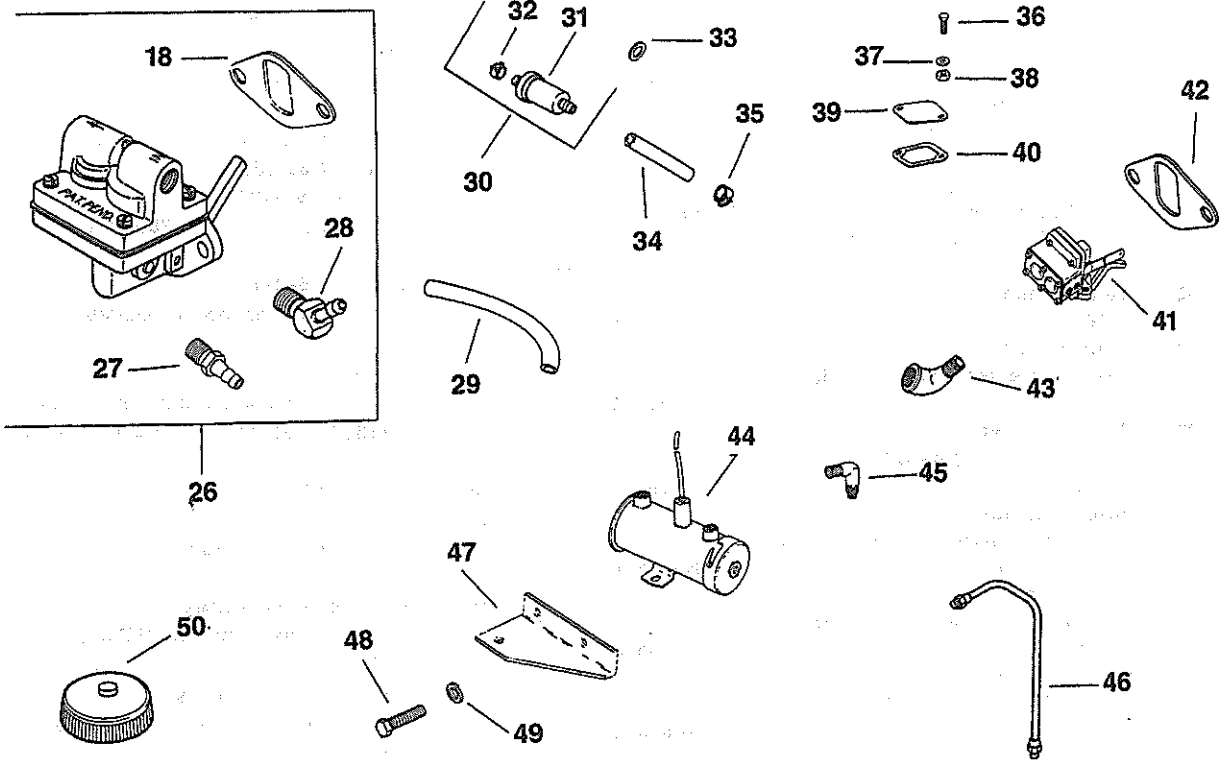
FUEL PUMP
(Cont'd)

K582

Index Number	Description Variation Number	Part Number	Index Number	Description Variation Number	Part Number
17	Kit, fuel pump (includes 18,19 [qty. 2]) (Use before serial no. 13093020) 502	48 559 01	20	Screw, pozidriv T.H. 1/4-20 x 5/8" (2) (Use after serial no. 9602772) 508	47 086 08
17	Kit, fuel pump (includes 18,19 [qty. 2]) (Use after serial no. 9200245) 501	48 559 01	20	Screw, pozidriv T.H. 1/4-20 x 5/8" (2) (Use before serial no. 8296107) 505	47 086 08
17	Kit, fuel pump (includes 18,19 [qty. 2]) (Use between serial numbers 10136667 to 10171337, and 11002740 to 11187849) 513	48 559 01	20	Screw, pozidriv T.H. 1/4-20 x 5/8" (2) (Use before serial no. 13093020) 502	47 086 08
18	Gasket, fuel pump 30,31,34,36,42,43,48,49,50,506,507, 509,510,512	25 041 09	20	Screw, pozidriv T.H. 1/4-20 x 5/8" (2) (Use after serial no. 9200345) 501	47 086 08
18	Gasket, fuel pump (Use after serial no. 9602772) 508	25 041 09	20	Screw, pozidriv T.H. 1/4-20 x 5/8" (2) (Use for serial numbers 10136667 to 10171337, and 11002740 to 11187849) 513	47 086 08
18	Gasket, fuel pump (Use before serial no. 8296107) 505	25 041 09	20	Screw, F.H. 1/4-20 x 3/4" (2) 22,43	X-174-2
18	Gasket, fuel pump (Use after serial no. 1730800005) 504,511	25 041 09	20	Screw, F.H. 1/4-20 x 3/4" (2) (Use before serial no. 9602773) 508	X-174-2
18	Gasket, fuel pump (Use before serial no. 13093020) 502	25 041 09	20	Screw, F.H. 1/4-20 x 3/4" (2) (Use before serial no. 9200246) 501	X-174-2
18	Gasket, fuel pump (Use after serial no. 9200245) 501	25 041 09	21	Connector, hose 90° (2) 10,22,33,34,36,44,46,501,508, 509,510	25 155 02
18	Gasket, fuel pump (Use before serial no. 10136667, for serial nos. 10171338 to 11002739, and after serial no. 11187849) 513	25 041 09	21	Connector, hose 90° (2) (Use after serial no. 13169251) 512	25 155 02
19	Washer, plain 1/4" (2) 30,31,34,36,42,43,44,46,509, 510,512	X-25-63	21	Connector, hose 90° 16,23,30,31,39,42,43	25 155 02
19	Washer, plain 1/4" (2) (Use after serial no. 9602772) 508	X-25-63	21	Connector, hose 90° (Use before serial no. 13169252) 512	25 155 02
19	Washer, plain 1/4" (2) (Use before serial no. 1730800015) 506,507	X-25-63	21	Connector, hose 90° (Use before serial no. 1730800015) 504,506,507,511	25 155 02
19	Washer, plain 1/4" (2) (Use before serial no. 8296107) 505	X-25-63	21	Connector, hose 90° (Use before serial no. 8296107) 505	25 155 02
19	Washer, plain 1/4" (2) (Use after serial no. 9200345) 501	X-25-63	21	Connector, hose 90° (2) (Use before serial no. 13093020) 502	25 155 02
19	Washer, plain 1/4" (2) (Use before serial no. 13093020) 502	X-25-63	21	Connector, hose 90° (2) (Use between serial numbers 10136667 thru 10171337, and 11002740 thru 11187849) 513	25 155 02
19	Washer, plain 1/4" (2) (Use for serial numbers 10136667 to 10171337, and 11002740 to 11187849) 513	X-25-63	22	Clamp, hose (2) 10,23,30,31,33,34,36,42,43,44,46,50, 52,504,506,508,509,510,511,512	X-426-9
20	Screw, pozidriv T.H. 1/4-20 x 5/8" (2) 10,16,23,30,31,34,36,42,44,46, 49,50,504,506,507,509,510, 511,512	47 086 08	22	Clamp, hose (2) (Use before serial no. 1730800015) 507	X-426-9
			22	Clamp, hose (2) (Use before serial no. 8296107) 505	X-426-9

Index Number	Description Variation Number	Part Number	Index Number	Description Variation Number	Part Number
22	Clamp, hose (2) (Use after serial no. 9200245) 501	X-426-9	24	Line, fuel 5-1/2" 10,22,23,30,31,33,34,36,42,43,44,46, 501,508,509,510,512	25 353 01
22	Clamp, hose (2) (Use before serial no. 13093020) 502	X-426-9	24	Line, fuel 5-1/2" (Use before serial no. 1730800015) 504,506,507,511	25 353 01
22	Clamp, hose (2) (Use between serial numbers 10136667 thru 10171337, and 11002740 thru 11187849) 513	X-426-9	24	Line, fuel 5-1/2" (Use before serial no. 8296107) 505	25 353 01
22	Clamp, hose 22	X-426-9	24	Line, fuel 5-1/2" (Use before serial no. 13093020) 502	25 353 01
22	Clamp, hose (Use before serial no. 9200246) 501	X-426-9	24	Line, fuel 5-1/2" (Use between serial numbers 10136667 thru 10171337, and 11002740 thru 11187849) 513	25 353 01
23	Elbow, street 22,30,31,34,42,43,46,501,509, 510,512	X-555-2	24	Line, fuel 9" 46	25 353 10
23	Elbow, street (Use before serial no. 1730800015) 504,506,507	X-555-2	25	Line, fuel - assembly 30	A-277654
23	Elbow, street (Use before serial no. 8296107) 505	X-555-2	25	Line, fuel - assembly (Use before serial no. 13169252) 512	A-277654
23	Elbow, street (Use before serial no. 13093020) 502	X-555-2	25	Line, fuel - assembly (Use before serial no. 1730800015) 504,506,507	A-277654
23	Elbow, street (Use between serial numbers 10136667 thru 10171337, and 11002740 thru 11187849) 513	X-555-2	25	Line, fuel - assembly (Use before serial no. 8296107) 505	A-277654

**FUEL PUMP
(Cont'd)**

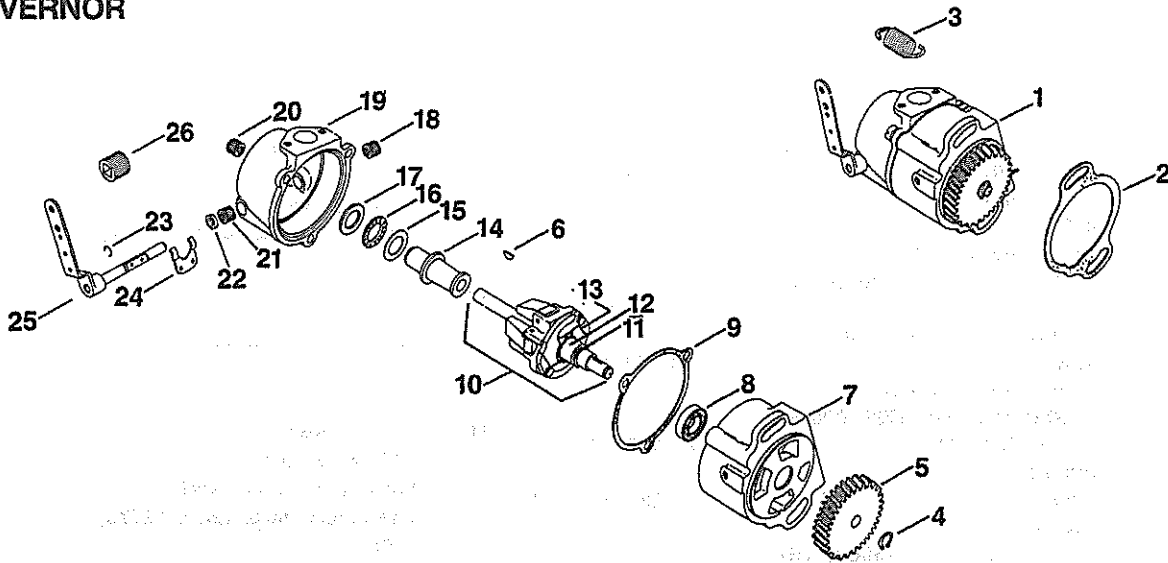


Note: For additional Fuel Pump components, see page 48.

Index Number	Description Variation Number	Part Number	Index Number	Description Variation Number	Part Number
26	Kit, fuel pump (Includes 18,27,28) 49,50	48 559 02	29	Line, flexible - fuel (5") (Use after serial no. 1730800005) 504,506,511	25 353 08
26	Kit, fuel pump (Includes 18,27,28) (Use after serial no. 1730800005) 504,506,507,511	48 559 02	29	Line, flexible - fuel (9") 52	25 353 10
27	Connector, hose 45° 49,50	47 155 12	30	Kit, fuel filter (Includes 31,32) 49,50,52	48 755 38
27	Connector, hose 45° (Use after serial no. 1730800005) 504,506,507,511	47 155 12	30	Kit, fuel filter (Includes 31,32) (Use after serial no. 1730800005) 504,506,507,511	48 755 38
28	Connector, 90° 49,50	X-380-1	31	Fuel filter (Replaced by 25 050 03) 49,50,52,509,510	45 050 01
28	Connector, 90° (Use after serial no. 1730800005) 504,506,507,511	X-380-1	31	Fuel filter (Use before serial no. 13169252) (Replaced by 25 050 03) 512	45 050 01
29	Line, flexible - fuel (3") 49	25 353 02	31	Fuel filter (Use after serial no. 1730800005) (Replaced by 25 050 03) 504,506,507,511	45 050 01
29	Line, flexible - fuel (3") (Use after serial no. 1730800005) 507	25 353 02	31	Fuel filter (Replaced by 25 050 02) 46	41 050 03
29	Line, fuel 10	25 353 03			
29	Line, flexible - fuel (5") 50	25 353 08			

Index Number	Description Variation Number	Part Number	Index Number	Description Variation Number	Part Number
32	Clamp 49,50,52	X-2000-1	40	Gasket, fuel pump 4,39,52,503	25 041 05
32	Clamp (Use after serial no. 1730800005) 504,506,507,511	X-2000-1	40	Gasket, fuel pump (Use after serial no. 8296106) 505	25 041 05
33	Washer, plain 1/4" 49,50,52	X-25-68	40	Gasket, fuel pump (Use after serial no. 13093019) 502	25 041 05
33	Washer, plain 1/4" (Use after serial no. 1730800005) 504,506,507,511	X-25-68	40	Gasket, fuel pump (Use before serial no. 10136667, for serial nos. 10171338 to 11002739, and after serial no. 11187849) 513	25 041 05
34	Line, flexible - fuel 1-3/4" 49,50	48 353 07	41	Pump assembly, fuel 10,16,22,23,33	A-277539
34	Line, flexible - fuel 1-3/4" (Use after serial no. 1730800005) 504,506,507,511	48 353 07	41	Pump assembly, fuel (Use before serial no. 9602773) 508	A-277539
35	Clamp (2) 49,50	25 237 01	41	Pump assembly, fuel (Use before serial no. 1730800015) 504,511	A-277539
35	Clamp (2) (Use after serial no. 1730800005) 504,506,507,511	25 237 01	41	Pump assembly, fuel (Use before serial no. 9200246) 501	A-277539
36	Screw, H.C. 1/4-20 x 5/8" (2) 4,52,503	X-132-5	42	Gasket, fuel pump 10,16,22,23,33	277649
36	Screw, H.C. 1/4-20 x 5/8" (2) (Use after serial no. 8296106) 505	X-132-5	42	Gasket, fuel pump (Use before serial no. 9602773) 508	277649
36	Screw, H.C. 1/4-20 x 5/8" (2) (Use after serial no. 13093019) 502	X-132-5	42	Gasket, fuel pump (Use before serial no. 1730800015) 504,511	277649
36	Screw, H.C. 1/4-20 x 5/8" (2) (Use before serial no. 10136667, for serial nos. 10171338 to 11002739, and after serial no. 11187849) 513	X-132-5	42	Gasket, fuel pump (Use before serial no. 9200246) 501	277649
36	Screw, H.C. 1/4-20 x 5/8" (2) 39	X-5-1	43	Elbow, street 16	48 283 03
36	Screw, H.C. 1/4-20 x 1" (2) 10	X-5-7	44	Pump fuel (Replaced by 41 393 45) 39	41 393 28
37	Washer, lock 1/4" (2) 10,39	X-20-1	45	Elbow, 90° 39	X-447-10
37	Washer, plain 1/4" (2) 39	X-25-53	46	Line assembly, fuel 39	48 516 01
38	Nut 1/4"-20 (2) 10,39	X-81-1	47	Bracket, fuel pump (Discontinued not available at Kohler Co.) 39	277722
39	Cover, pump 4,39,52,503	240282	48	Screw, H.C. 5/16-18 x 5/8" (2) 39	X-6-12
39	Cover, pump (Use after serial no. 8296106) 505	240282	49	Washer, lock 5/16" (2) 39	X-21-1
39	Cover, pump (Use after serial no. 13093019) 502	240282	50	Cap, fuel 510	25 173 02
39	Cover, pump (Use before serial no. 10136667, for serial nos. 10171338 to 11002739, and after serial no. 11187849) 513	240282			

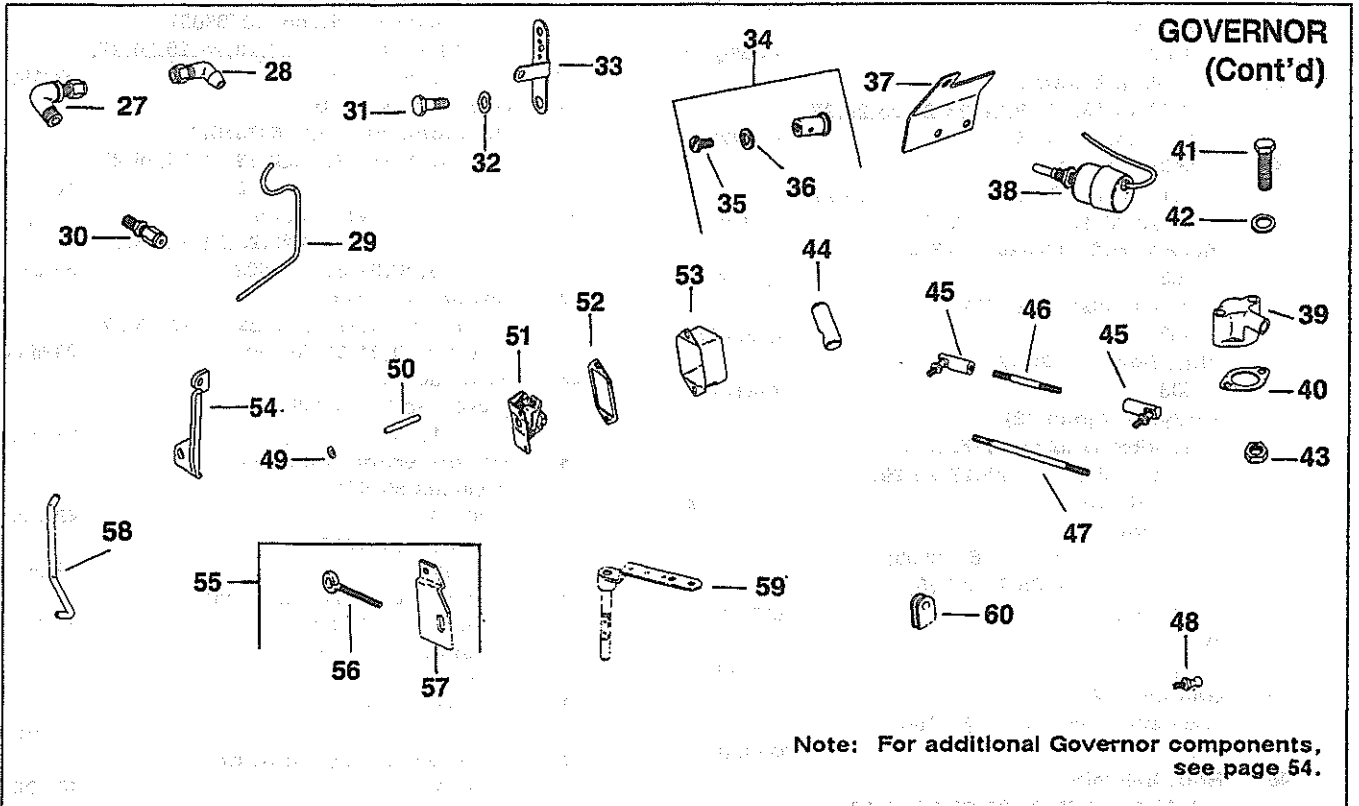
**Group 17
GOVERNOR**



Note: For additional Governor components, see page 55.

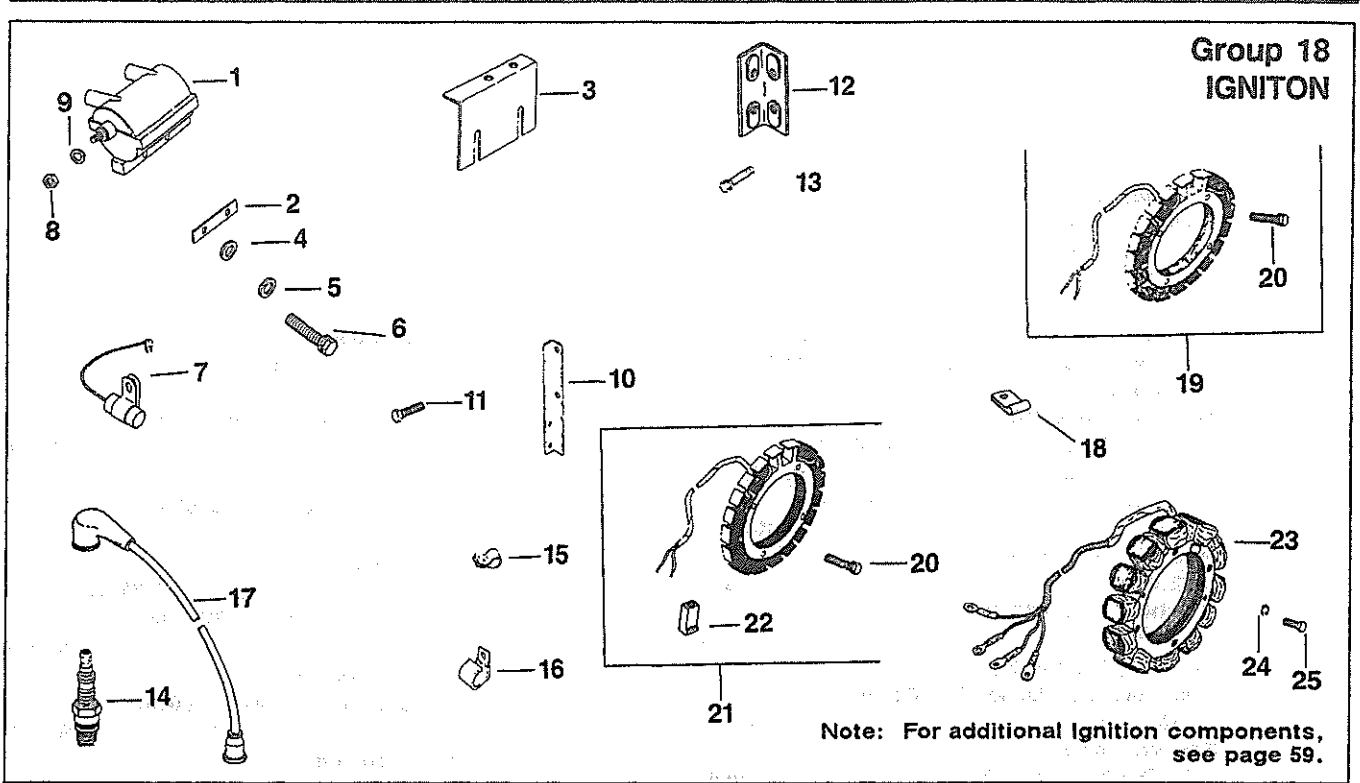
Index Number	Description Variation Number	Part Number	Index Number	Description Variation Number	Part Number
1	Kit, governor (Includes 4-26) 2, 13, 15, 16, 17, 19, 22, 23, 24, 25, 26, 27, 28, 29, 30, 31, 33, 501, 502	48 310 28	11	Ring, retaining 2, 13, 15, 16, 17, 19, 22, 23, 24, 25, 26, 27, 28, 29, 30, 31, 33, 501, 502	X-269-4
2	Gasket, governor housing 2, 13, 15, 16, 17, 19, 22, 23, 24, 25, 26, 27, 28, 29, 30, 31, 33, 501, 502	277078	12	Cam, breaker 2, 13, 15, 16, 17, 19, 22, 23, 24, 25, 26, 27, 28, 29, 30, 31, 33, 501, 502	48 149 04
3	Spring 2, 13, 15, 17, 19, 22, 23, 24, 25, 26, 27, 29, 33, 501, 502	271547	13	Spring (2) 2, 13, 15, 16, 17, 19, 22, 23, 24, 25, 26, 27, 28, 29, 30, 31, 33, 501, 502	48 089 01
3	Spring 25, 30, 31	230117	14	Kit, thrust sleeve 2, 13, 15, 16, 17, 19, 22, 23, 24, 25, 26, 27, 28, 29, 30, 31, 33, 501, 502	48 755 01
3	Spring 16, 28, 30, 31	48 091 01	15	Race, thrust bearing 2, 13, 15, 16, 17, 19, 22, 23, 24, 25, 26, 27, 28, 29, 30, 31, 33, 501, 502	277101
4	Ring, retaining 2, 13, 15, 16, 17, 19, 22, 23, 24, 25, 26, 27, 28, 29, 30, 31, 33, 501, 502	X-269-15	16	Thrust bearing, roller 2, 13, 15, 16, 17, 19, 22, 23, 24, 25, 26, 27, 28, 29, 30, 31, 33, 501, 502	277100
5	Gear, governor (Replaced by 48 043 11) 2, 13, 15, 16, 17, 19, 22, 23, 24, 25, 26, 27, 28, 29, 30, 31, 33, 501, 502	277561	17	Race, thrust bearing 2, 13, 15, 16, 17, 19, 22, 23, 24, 25, 26, 27, 28, 29, 30, 31, 33, 501, 502	277102
6	Key, woodruff 2, 13, 15, 16, 17, 19, 22, 23, 24, 25, 26, 27, 28, 29, 30, 31, 33, 501, 502	X-42-2	18	Bearing, needle 2, 13, 15, 16, 17, 19, 22, 23, 24, 25, 26, 27, 28, 29, 30, 31, 33, 501, 502	X-293-2
7	Housing, governor 2, 13, 15, 16, 17, 19, 22, 23, 24, 25, 26, 27, 28, 29, 30, 31, 33, 501, 502	48 081 02	19	Cover, governor 2, 13, 15, 16, 17, 19, 22, 23, 24, 25, 26, 27, 28, 29, 30, 31, 33, 501, 502	48 096 05
8	Bearing, ball 2, 13, 15, 16, 17, 19, 22, 23, 24, 25, 26, 27, 28, 29, 30, 31, 33, 501, 502	240202	20	Bearing, needle 2, 13, 15, 16, 17, 19, 22, 23, 24, 25, 26, 27, 28, 29, 30, 31, 33, 501, 502	48 030 02
9	Gasket, governor cover 2, 13, 15, 16, 17, 19, 22, 23, 24, 25, 26, 27, 28, 29, 30, 31, 33, 501, 502	277099	21	Bearing, needle 2, 13, 15, 16, 17, 19, 22, 23, 24, 25, 26, 27, 28, 29, 30, 31, 33, 501, 502	X-293-3
10	Shaft assembly 2, 13, 15, 16, 17, 19, 22, 23, 24, 25, 26, 27, 28, 29, 30, 31, 33, 501, 502	48 420 08	22	Seal, oil 2, 13, 15, 16, 17, 19, 22, 23, 24, 25, 26, 27, 28, 29, 30, 31, 33, 501, 502	275055

Index Number	Description Variation Number	Part Number	Index Number	Description Variation Number	Part Number
23	Ring, retaining 2,13,15,16,17,19,22,23,24,25,26,27, 28,29,30,31,33,501,502	277104	25	Lever assembly, governor 2,13,15,16,17,19,22,23,24,25,26,27, 28,29,33,501,502	48 087 03
24	Yoke 2,13,15,16,17,19,22,23,24,25,26,27, 28,29,30,31,33,501,502	48 471 02	26	Plug, hex. ctsk. 1/8" N.P.T.F. 2,13,15,16,17,19,22,23,24,25,26,27, 28,29,33,501,502	X-75-23



Index Number	Description Variation Number	Part Number	Index Number	Description Variation Number	Part Number
27	Elbow, 90° 2,15,17,19,22,25,26,27,28,29,30, 31,33,501,502	X-324-7	33	Lever, throttle (Use before serial no. 13139361) 502	277080
28	Elbow, 90° (Discontinued not available at Kohler Co.) 2,13,15,17,19,22,25,26,27,29, 33,501,502	277337	33	Lever, throttle 15,22,26	48 090 02
29	Oil line 2,13,15,16,17,19,22,23,25,26,27,28, 29,30,31,33,501,502	48 353 05	33	Lever, throttle (Use after serial no. 13139360) 502	48 090 02
30	Union 2,13,15,16,17,19,22,23,25,26,27, 28,29,30,31,33,501,502	X-343	34	Kit, clamp (Includes 35,36) 15,22,23,24,26,29,501	48 755 10
31	Screw, shoulder 2,13,15,19,22,23,24,25,26,27, 29,501,502	275691	34	Kit, clamp (Includes 35,36) (Use after serial no. 13139360) 502	48 755 10
32	Washer, tension 2,13,15,19,22,23,24,25,26,27, 29,501,502	277341	35	Screw, R.H.M. 8-32 x 1/4" 15,22,23,24,26,29,501	X-51-8
33	Lever, throttle 2,13,15,19,23,24,25,27,29,501	277080	35	Screw, R.H.M. 8-32 x 1/4" (Use after serial no. 13139360) 502	X-51-8

Index Number	Description Variation Number	Part Number	Index Number	Description Variation Number	Part Number
36	Washer, plain 15,22,23,24,26,29,501	X-25-102	49	Seal, diaphragm 2,13,15,16,17,19,22,23,24,25,26, 27,28,29,30,31,33,501,502	220074
36	Washer, plain (Use after serial no. 13139360) 502	X-25-102	50	Push rod, breaker 2,13,15,16,17,19,22,23,24,25,26,27, 28,29,30,31,33,501,502	X-489-8
37	Bracket, solenoid 15,22	48 126 05	51	Breaker assembly (Use before serial no. 6373503) 2,13,15,16,17,19,22,23,24,25,26,27, 29,33,501,502	47 150 03
38	Solenoid 15,22	45 435 02	51	Breaker assembly (Use after serial no. 6373502) 2,13,15,16,17,19,22,23,24,25,26,27, 28,29,30,31,33,501,502	48 150 03
39	Housing, breather 2,13,15,16,17,19,22,23,24,25,26,27, 28,29,30,31,33,501,502,503	A-277905	52	Gasket, breaker cover 2,13,15,16,17,19,22,23,24,25,26,27, 28,29,30,31,33,501,502	52 041 11
40	Gasket, breather 2,13,15,16,17,19,22,23,24,25,26,27, 28,29,30,31,33,501,502,503	277073	53	Cover, breaker 2,13,15,16,17,19,22,23,24,25,26,27, 28,29,30,31,33,501,502	232535
41	Screw, H.C. 1/4-20 x 2-3/4" 503	48 086 17	54	Arm, control (Replaced by 48 755 31) 17,31,33	277332
42	Washer, plain 1/4" (3) 503	X-25-12	55	Kit, governor adjusting (Includes 56,57) 28,30	48 755 32
43	Nut, hex 1/4"-20 (2) 503	X-81-1	56	Screw, eye 1/4"-20 28,30	48 086 13
44	Body, ball joint (2) (Use after serial no. 6373502) 2,15,19,22,24,25,26,27,28,29, 33,501,502	45 208 03	56	Screw, eye 1/4-20 x 2-1/8" 16,17,28,31,33	277333
45	Ball joint (2) (Use before serial no. 6273503) 2,15,19,22,24,25,26,27,29, 501,502	237130	57	Bracket, control 28,30	48 126 18
45	Ball joint (2) 13	237130	58	Linkage, governor 30,31	48 079 01
45	Ball joint (2) (Use after serial no. 11211560) 23	237130	59	Lever assembly, governor 30,31	48 090 14
46	Rod, ball joint 2,15,16,19,22,24,25,26,27,28,29, 33,501,502	271151	60	Grommet 2,13,15,16,17,19,23,24,25,26,27,29, 31,33,501,502	220297
47	Rod, ball joint 13,23	240258	NOT ILLUSTRATED		
48	Ball, screw 2,13,15,16,17,19,22,24,25,26,27,28, 29,33,501,502	48 194 01	Lead, black, breaker (17" - 14 gauge - uninsulated barrel #10 open side, insulated grip-barrel #10 eyelet terminals)		
48	Ball, screw (Use before serial no. 1121561) 23	48 194 01	2,13,15,16,17,19,22,23,24,25,26,27, 28,29,30,31,33,501,502		
			A-231533		



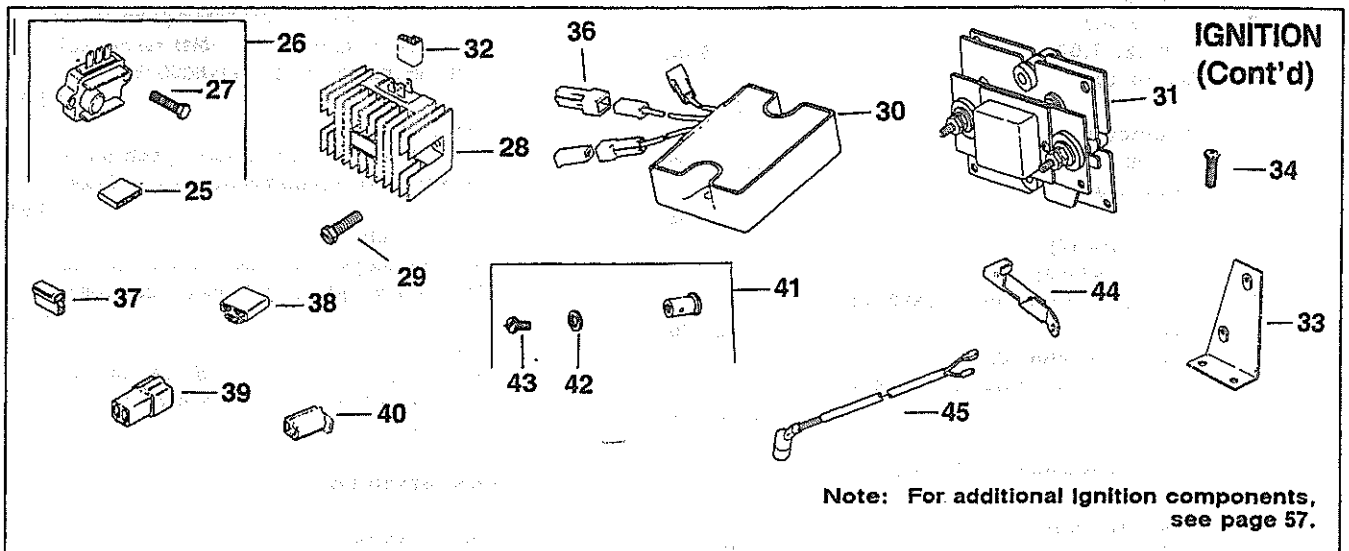
Index Number	Description Variation Number	Part Number	Index Number	Description Variation Number	Part Number
1	Coil, ignition 12, 16, 28, 29, 32, 35, 37, 38, 40, 42, 43, 46, 47, 48, 50, 51, 52, 55, 56, 57, 58, 60, 62, 64, 65, 66, 67, 68, 69, 70, 501, 502, 503, 504, 506, 507, 508, 509, 510, 511, 512, 513, 514, 515	277375	5	Washer, lock 1/4" (2) (Use before serial no. 2112800015) 69	X-20-1
2	Mounting plate, coil (2) 16, 28, 32, 35, 50, 51, 52, 55, 56, 57, 60, 64, 65, 67, 68, 69, 502, 503, 506, 507, 508, 509, 511, 515	271694	5	Washer, lock 1/4" 64	X-20-1
2	Mounting plate, coil (2) (Use before serial no. 13071106) 514	271694	5	Washer, star 1/4" 48, 58, 64, 65	X-22-11
2	Mounting plate, coil 12, 29, 36, 37, 38, 40, 42, 43, 46, 47, 48, 58, 62, 66, 501, 504, 510	271694	5	Washer, star 1/4" (Use after serial no. 13071105) 514	X-22-11
2	Mounting plate, coil (Use after serial no. 13071105) 514	271694	6	Screw, H.C. 1/4-20 x 1-1/2" (2) 16, 28, 29, 32, 35, 38, 46, 50, 51, 52, 55, 56, 57, 58, 60, 62, 64, 65, 67, 68, 501, 502, 503, 506, 507, 508, 509, 510, 515	X-5-26
3	Plate, coil mounting 12, 37	277587	6	Screw, H.C. 1/4-20 x 1-1/2" (2) (Use after serial no. 13071105) 514	X-5-26
4	Washer, plain 1/4" 12, 16, 28, 29, 32, 35, 38, 40, 42, 43, 46, 47, 50, 51, 52, 55, 56, 57, 58, 60, 62, 64, 65, 66, 67, 68, 69, 501, 502, 503, 504, 506, 507, 508, 509, 510, 514, 515	X-25-63	6	Screw, H.C. 1/4-20 x 1-1/2" (2) (Use before serial n. 2112800015) 69	X-5-26
4	Washer, plain 5/16" (2) 12, 29	X-25-20	6	Screw, sems H.C. 1/4-20 x 1-1/4" (2) 12, 29, 36, 37, 40, 42, 43, 47, 66, 504	X-132-9
4	Washer, plain 5/16" (4) 37	X-25-20	6	Screw, sems H.C. 1/4-20 x 1-1/4" (2) (Use before serial no. 13071106) 514	X-132-9
5	Washer, lock 1/4" (2) 16, 28, 29, 32, 36, 38, 43, 46, 50, 52, 55, 56, 57, 58, 60, 62, 65, 67, 68, 504, 506, 508, 509, 510, 514, 515	X-20-1	6	Screw, sems H.C. 1/4-20 x 1-1/4" (2) (Use after serial no. 2112800005) 69	X-132-9
			6	Screw, sems H.C. 1/4-20 x 1/2" 48	X-766-1

IGNITION
(Cont'd)

K582

Index Number	Description Variation Number	Part Number	Index Number	Description Variation Number	Part Number
7	Condenser 12,16,28,29,32,35,37,38,40,42,43,46, 47,48,50,51,52,55,56,57,58,60,62,64, 65,66,67,68,69,501,502,503,504,506, 507,508,509,510,511,514,515	230722	16	Clip 28,56	48 154 02
8	Nut, hex 10-32 (2) 12,16,28,29,32,35,37,40,42,43,46,47,48, 50,51,52,55,56,57,58,60,62,64,65,66,67, 68,69,70,501,502,503,504,506,507,508, 509,510,511,512,513,514,515	X-70-3	17	Lead, hi-tension 38,48,58,64,65	48 348 02
9	Washer, lock #10 (2) 16,28,29,32,37,38,40,42,43,46,47,48, 50,51,52,55,56,58,62,64,65,66,67,68,69, 501,502,503,504,506,508,509,510, 514,515	X-19-1	17	Lead, hi-tension (Use after serial no. 13071105) 514	48 348 02
9	Washer, lock #10 (7) 12,60	X-19-1	17	Lead, hi-tension 29,40,42,43,47,62,66,510	48 348 03
9	Washer, lock #10 (5) 57,511	X-19-1	17	Lead, hi-tension (Use before serial no. 13071106) 514	48 348 03
9	Washer, lock #10 (5) (Use before serial no. 15140329) 515	X-19-1	17	Lead, hi-tension (Use after serial no. 2112800005) 69	48 348 03
10	Bracket, coil 38,58,62,64,65,510	48 088 02	17	Lead, hi-tension (2) 12,16,28,29,32,46,50,51,52,55,56,57,60, 67,68,501,502,503,506,507,508,509, 511,515	48 348 04
10	Bracket, coil (Use after serial no. 13071105) 514	48 088 02	17	Lead, hi-tension (2) (Use before serial no. 2112800015) 69	48 348 04
11	Screw, H.C. 5/16-18 x 1" (2) 58,62,64,65	X-154-5	17	Lead, hi-tension 29,35,38,40,42,43,47,48,58,62,64,65, 66,510,514	48 348 04
11	Screw, H.C. 5/16-18 x 5/8" (2) 38,510	X-6-12	17	Kit, hi-tension lead (2) 12,16,37,42,47,504,508	238057
11	Screw, H.C. 5/16-18 x 1" (2) (Use after serial no. 13071105) 514	X-154-5	17	Kit, hi-tension lead (2) (Use before serial no. 1709400015) 503	238057
12	Bracket, coil 48	48 126 16	18	Clip, hi-tension (2) 16,28,29,32,38,40,42,46,47,50,51,52, 58,62,64,65,67,68,69,501,504,506,507, 508,509,514	270154
13	Screw, sems H.C. 1/4-20 x 1-1/4" 48	X-132-9	18	Clip, hi-tension (2) (Use before serial no. 1709400015) 503	270154
13	Screw, sems H.C. 1/4-20 x 1/2" 48	X-133-2	19	Kit, stator (15 amp.) (Includes 20, terminal 25 452 01) 16,28,29,32,38,40,42,46,47,50,51,52,58, 62,64,65,69,501,504,506,507,508, 509,514	237878
14	Spark plug (2) 12,16,28,29,32,35,37,38,40,42,43,46, 47,48,50,51,52,55,56,57,58,60,62,64, 65,66,67,68,69,70,501,502,503,504, 506,507,508,509,510,511,512,513, 514,515	235041-S	19	Kit, stator (15 amp.) (Includes 20, terminal 25 452 01) (Use before serial no. 1709400015) 503	237878
15	Clip, magneto cable (2) 12,16,28,29,32,35,37,40,42,43,46,47, 50,51,52,55,57,58,60,64,65,66,67,68, 69,501,502,503,504,506,507,508,509, 510,511,514,515	210281	20	Screw hex hd. 10-24 x 3/4" (4) 16,28,29,32,38,40,42,46,47,50,51,52,58, 62,64,65,69,501,504,506,507,508, 509,514	X-67-51
15	Clip (2) 12,56,57,60,502,511	X-672-7	20	Screw hex. hd. 10-24 x 3/4" (4) (Use before serial no. 1709400015) 503	X-67-51
15	Clip (2) (Use before serial no. 15140329) 515	X-672-7	20	Screw, tapping 10-24 x 1" (4) 67,68	25 086 29
16	Clip (Replaced by 47 154 01) 28,56	48 154 01	21	Kit, stator (25 amp.) (Includes 20,22, terminal 25 452 06) 67,68	25 755 07
16	Clip (2) (Replaced by 47 154 01) 38,62	48 154 01			

Index Number	Description Variation Number	Part Number	Index Number	Description Variation Number	Part Number
22	Connector, receptacle (2) 67,68	25 155 04	24	Washer, lock #10 40,47	X-22-9
23	Stator (30 amp.) 12,56,57,60,502,511	277063	24	Washer, lock #10 (Use after serial no. 2112800005) 69	X-22-9
23	Stator (30 amp.) (Use before serial no. 15140329) 515	277063	25	Screw, tapping 10-24 x 1" (4) (Replaced by 25 086 29) 12,56,57,60,502,511	25 086 29
24	Washer, lock #10 (4) 12,56,57,60,502,511	X-22-9	25	Screw, tapping 10-24 x 1" (4) (Use before serial no. 15140329) (Replaced by 25 086 29) 515	25 086 29
24	Washer, lock #10 (4) (Use before serial no. 15140329) 515	X-22-9			
24	Washer, lock #10 (2) 35,507	X-22-9			



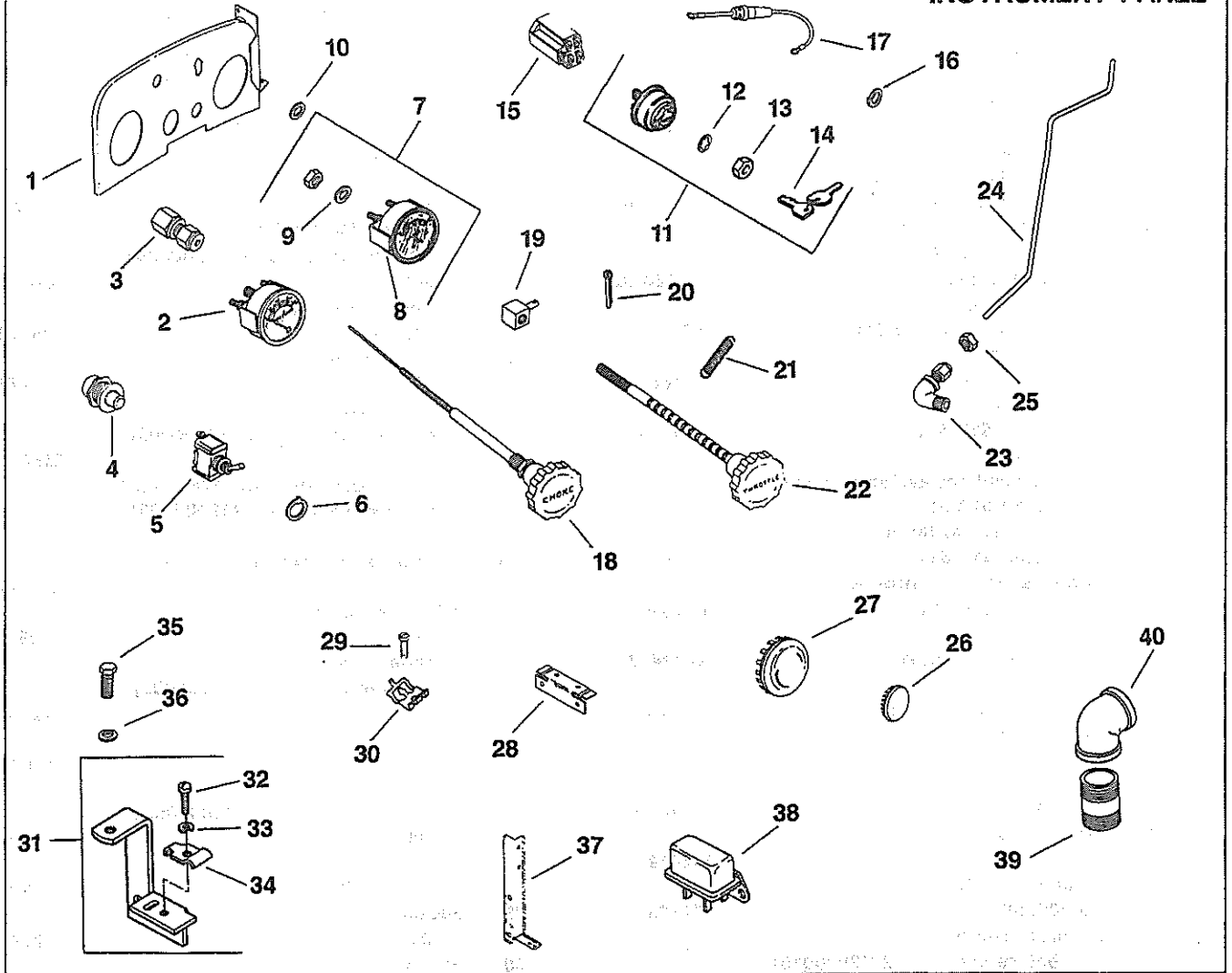
Index Number	Description Variation Number	Part Number	Index Number	Description Variation Number	Part Number
26	Kit, regulator - rectifier (15 amp.) (Includes 27) (Use after serial no. 15108953) 16,28,29,32,40,47,50,51,52,62,65,69, 503,504,506,507,514	25 755 03	29	Screw, sems H.C. 1/4-20 x 1/2" (2) 58,64	X-132-6
27	Screw, sems hex hd. 1/4-20 x 5/8" (2) 67,68	X-132-5	30	Regulator - rectifier (25 amp.) 67,68	25 403 01
27	Screw, sems hex hd. 1/4-20 x 5/8" (2) (Use after serial no. 15108953) 16,28,29,32,38,40,46,47,50,51,52,62, 65,69,501,503,504,506,507,514	X-132-5	31	Regulator (30 amp.) 12,56,57,66,511	277064
28	Regulator - rectifier (15 amp.) 38,42,46,58,64,501,508,509	41 403 06	31	Regulator (30 amp.) (Use before serial no. 15140329) 515	277064
28	Regulator - rectifier (15 amp.) (Use before serial no. 15108954) 16,28,29,32,40,47,50,51,52,62,65, 69,503,504,506,507,514	41 403 06	31	Regulator (30 amp.) (Use before serial no. 14158282) 502	277064
29	Screw, R.H.M. 10-24 x 1-1/2" (2) 12,60	X-117-9	32	Connector, body 38,46,58,64,501,508,509	237429
29	Screw, R.H.M. 10-24 x 1-1/2" (2) (Use before serial no. 15140329) 515	X-117-9	32	Connector, body (Use before serial no. 15108954) 16,28,29,32,40,47,50,51,52,62,65,69, 503,504,506,507,514	237429
			33	Bracket, regulator 12,38,46,58,64,501,509	277407
			33	Bracket, regulator (Use before serial no. 15140329) 515	277407

IGNITION
(Cont'd)

K582

Index Number	Description Variation Number	Part Number	Index Number	Description Variation Number	Part Number
33	Bracket, regulator (Use before serial no. 15108954) 514	277407		Lead, black (11" - 14 gauge - uninsulated push on tab terminals)	
34	Screw, R.H.M. 10-24 x 1/2" (3) 12,57,60,511	X-50-15		40,62	25 518 08
34	Screw, R.H.M. 10-24 x 1/2" (3) (Use before serial no. 15140329) 515	X-50-15		Lead, black (11" - 14 gauge - uninsulated push on tab terminals) (Use after serial no. 2112800005)	
35	Connector, body (Use after serial no. 15108953) 16,28,29,32,40,47,50,51,52,62,65,69, 503,504,506,507,514	236602		69	25 518 08
36	Connector, tab 67,68	25 155 03		Lead, black (16" - 14 gauge - uninsulated push on tab, #10 insulated grip barrel eyelet terminals)	25 518 09
37	Connector 40,42,47,67	48 155 02		Lead, black (16" - 14 gauge - uninsulated push on tab, #10 insulated grip barrel eyelet terminals) (Use before serial no. 2112800015)	
38	Connector 29,47	277563		69	25 518 09
39	Connector 50,69	41 155 03		Lead, black (18" - 14 gauge - uninsulated push on tab, #10 insulated grip barrel eyelet terminals)	
40	Connector 69	52 155 04		29,47	25 518 11
41	Kit, clamp (2) (Includes 42-43) (Use before serial no. 14158282) 502	48 755 10		Lead, black (9" - 14 gauge - uninsulated push on tab, 10# insulated grip barrel eyelet terminals)	25 518 13
42	Washer, swivel (2) (Use before serial no. 14158282) 502	X-25-102		Lead, black (9" - 14 gauge - uninsulated push on tab, #10 insulated grip barrel eyelet terminals) (Use after serial no. 2112800005)	
43	Screw (2) (Use before serial no. 14158282) 502	X-51-8		69	25 518 13
44	Bracket, trigger 70	48 126 19		Lead assembly 29	48 518 08
45	Coil, trigger 70	48 519 05		Lead assembly 16,52,68,508	48 518 09
NOT ILLUSTRATED				Lead assembly (Use before serial no. 1709400015) 503	48 518 09
	Terminal (2) 16,28,29,32,38,40,42,46,47,50,51, 52,58,62,64,65,69,501,504,506, 507,508,509,514	25 452 01		Lead, black, ground (5" - 10 gauge - #10 and 1/4" insulated grip barrel eyelet terminals)	
	Terminal (2) (Use before serial no. 1709400015) 503	25 452 01		12,60	48 518 13
	Terminal (2) 67,68	25 452 06		Lead, black, ground (5" - 10 gauge - #10 and 1/4" insulated grip barrel eyelet terminals) (Use before serial no. 15140329)	
	Terminal (2) 69	52 452 01		515	48 518 13
	Lead, black (5" - 14 gauge - uninsulated push on tab terminals) 50	25 518 05		Lead, black, ground (5" - 10 gauge - #10 and 1/4" insulated grip barrel eyelet terminals) (Use before serial no. 14158282)	
	Lead, black (5" - 14 gauge - uninsulated push on tab terminals) (Use before serial no. 2112800015) 69	25 518 05		502	48 518 13
	Lead, black (6" - 14 gauge - uninsulated push on tab, #10 insulated grip barrel eyelet terminals) 62	25 518 06		Lead, black, ground (12" - 18 gauge - 1/4" insulated grip barrel eyelet terminals) 48,64,65	48 518 26
				Lead, red (3" - 12 gauge - uninsulated push on tab terminals)	
				67	52 518 10
				Decal, 12-volt warning (white) 62	277356

Group 19
INSTRUMENT PANEL



Index Number	Description Variation Number	Part Number	Index Number	Description Variation Number	Part Number
1	Panel, Instrument 22,23,25,30,510,511	277173	8	Bracket, ammeter 22,23,30,504,505,510,511	48 126 09
2	Gauge, oil pressure 22,23,25,30,504,505,507, 510,511	270231	9	Washer, lock #10 (4) 22,23,30,504,505,510,511	X-19-1
3	Connector 22,23,30,510,511	X-721-1	9	Washer, lock #10 29	X-19-1
3	Connector (2) 505	X-721-1	10	Washer #10 (4) 22,510	X-25-7
4	Button, starter 22,29,510	270232	10	Washer #10 (6) 22,23,30,504,510,511	X-25-7
5	Switch, toggle 22,510	238011	11	Switch, ignition (Includes 12-14) 23,30,504,511	48 099 01
5	Switch, toggle 25,29	151510	12	Washer, lock 5/8" 23,30,504,511	48 468 02
6	Ring, lock 22,510	151511	13	Nut 23,30,504,511	48 100 01
7	Kit, ammeter (Includes 8,9) 22,23,30,504,510,511	48 755 18	14	Key (set of two) 23,30,504,511	48 340 01

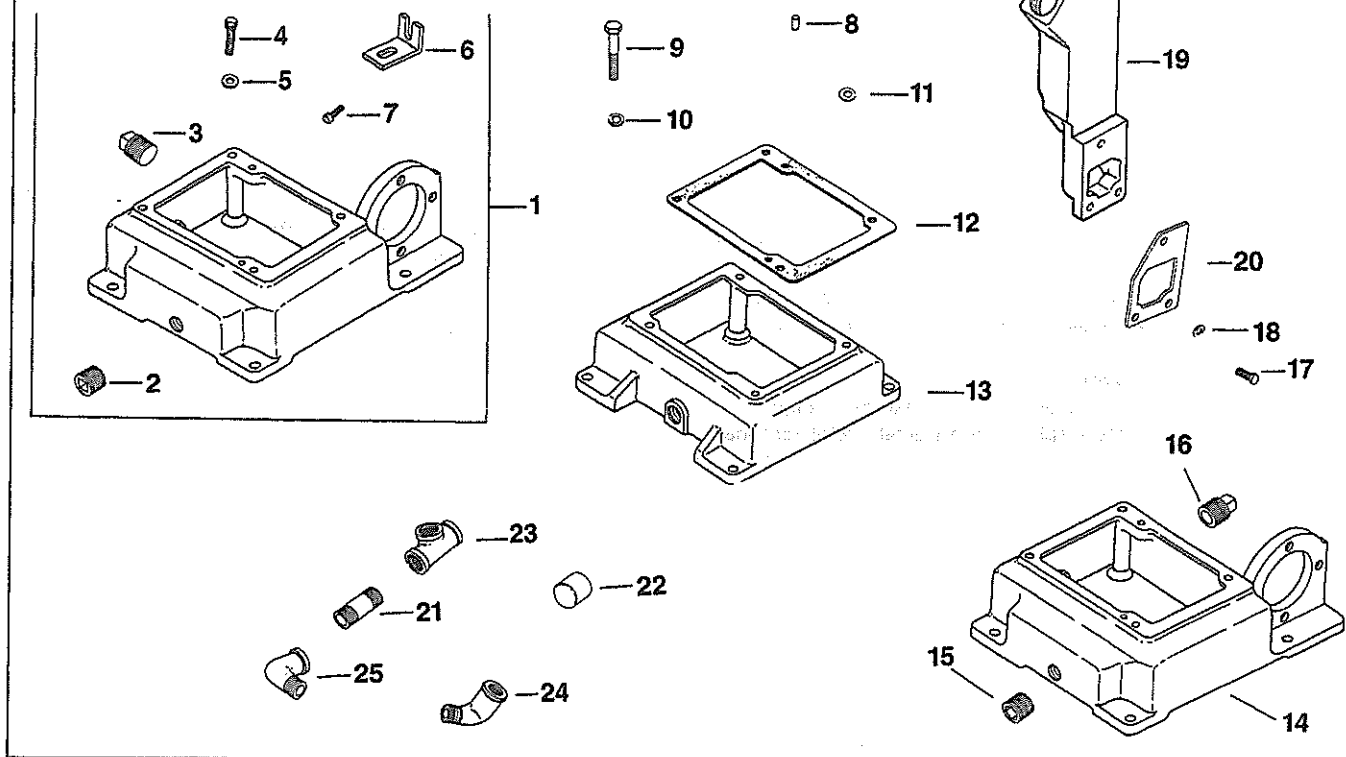
INSTRUMENT PANEL
(Cont'd)

K582

Index Number	Description Variation Number	Part Number	Index Number	Description Variation Number	Part Number
15	Connector 23,30,511	48 155 01	32	Screw, F.H.M. 10-24 x 1/2" (2) (Use after serial no. 2112800005) 508	X-15-5
16	Washer, lock #6 (4) 22,25,505,510	X-22-6	33	Washer, lock #10 (2) 18,512	X-19-1
17	Fuse holder assembly (Includes 41 304 01 fuse) 22,502,506,510	48 323 01	33	Washer, lock #10 29	X-19-1
17	Fuse holder assembly (Includes 41 304 01 fuse) 23,30,503,511	48 323 02	33	Washer, lock #10 (2) (Use after serial no. 2112800005) 508	X-19-1
18	Cable, choke 22,23,25,29,30,510,511	277148	34	Clamp, cable (2) 18,512	235778
19	Block, swivel 22,23,30,510,511	270410	34	Clamp, cable 29	235778
20	Pin, cotter 22,23,30,510,511	X-36-1	34	Clamp, cable (2) (Use after serial no. 2112800005) 508	235778
20	Pin, cotter (Discontinued not available at Kohler Co.) 22,23,30,510,511	X-36-4	35	Screw, sems hex hd. 1/4-20 x 1/2" (Use after serial no. 2112800005) 508	X-132-6
21	Spring, throttle lever 22,23,30,510,511	270409	35	Screw, sems hex hd. 1/4-20 x 1/2" 18,512	X-132-6
22	Shaft assembly, throttle 22,23,30,510,511	48 420 03	36	Washer, plain 1/4" 18,512	X-25-52
23	Elbow 22,23,25,30,510,511	X-324-7	36	Washer, plain 1/4" (Use after serial no. 2112800005) 508	X-25-52
24	Line, oil 22,23,25,30,510,511	277354	37	Bracket, coil 18,29,512	48 088 01
25	Nut, hex 5/16-24 23,30,511	X-82-5	37	Bracket, coil (Use after serial no. 2112800005) 508	48 088 01
26	Plug, button 23,30,511	X-301-8	38	Relay 509,510,511,512	245748
27	Plug, snap 25	244419	39	Nipple 505	X-219-9
28	Bracket, cable 5,505,506	277128	40	Elbow 505	X-215-6
28	Bracket, cable (Use before serial no. 2112800015) 508	277128	NOT ILLUSTRATED		
29	Screw, sems H.C. 5/16-18 x 3/4" (2) 5,18,29,505,506,512	X-154-5		Lead, black (18" - 14 gauge - uninsulated push on tab, #10insulated grip barrel eyelet terminals) 23,30,511	25 518 11
29	Screw, sems H.C. 5/16-18 x 3/4" (2) (Use before serial no. 2112800015) 508	X-154-5		Lead, black (12" - 14 gauge - uninsulated push on tab, #8 insulated grip barrel eyelet terminals) 22,510	47 518 21
30	Clip, choke cable (2) 5,505,506	235603		Lead 23,511	47 518 40
30	Clip, choke cable (2) (Use before serial no. 2112800015) 508	235603		Lead 503	48 518 09
31	Support assembly, air cleaner (Includes 32-34) 18,512	48 529 01		Lead, black (4" - 14 gauge - #8 insulated grip barrel eyelet terminals) 22,25,510	48 518 14
31	Support assembly, air cleaner (Includes 32-34) (Use after serial no. 2112800005) 508	48 529 01		Lead, light blue (6" - 14 gauge - #10 and #6 insulated grip barrel eyelet terminals) 22,502,510	48 518 16
32	Screw, F.H.M. 10-24 x 1/2" (2) 18,512	X-15-5			
32	Screw, F.H.M. 10-24 x 1/2" 29	X-15-5			

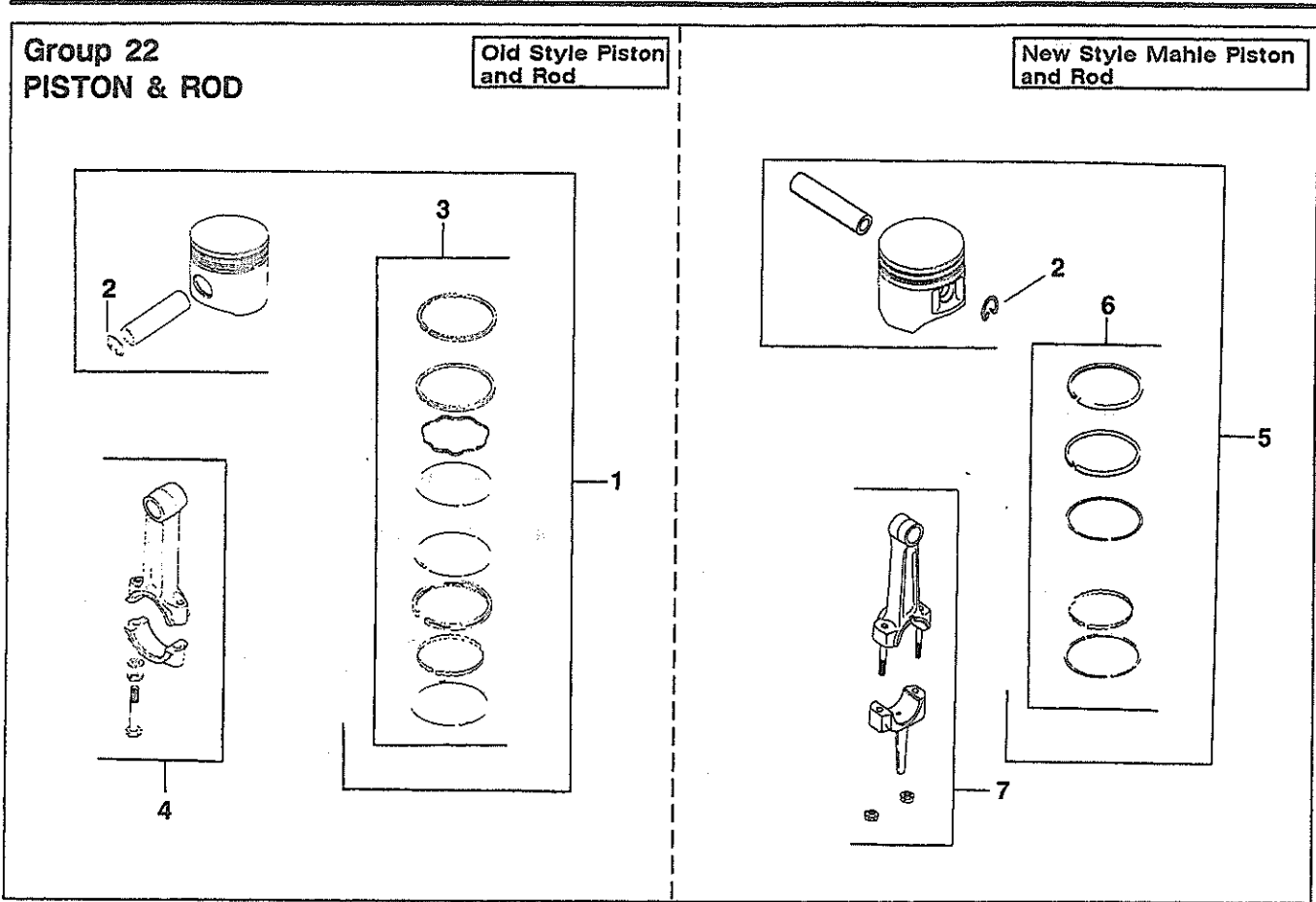
Index Number	Description Variation Number	Part Number	Index Number	Description Variation Number	Part Number
NOT ILLUSTRATED (Cont'd)			Plate, instructions		
	Lead, black (18" - 14 gauge - #6 uninsulated barrel open side, #10 insulated grip barrel eyelet terminals)		25		151508-1
	22,510	48 518 18	Fuse		
	Lead, black (14" - 14 gauge - #8 insulated grip flange spade terminals)		22,23,30,502,503,506,510,511		41 304 01
	25	48 518 20	Kit, instrument panel (Includes 1-10,16-20,22-24)		
	Lead, black (14" - 14 gauge - #6 uninsulated barrel open side, #8 insulated grip flange spade terminals)		22,510		48 755 28
	25	48 518 21	Kit, instrument panel (Includes 1-3,7-14,17,19,20,22-26)		
	Lead, black (26" - 14 gauge - #8 insulated grip flange spade, #10 insulated grip barrel eyelet terminals)		23		48 755 29
	25	48 518 22			

**Group 21
OIL PAN**



Index Number	Description Variation Number	Part Number	Index Number	Description Variation Number	Part Number
1	Kit, oil pan (Includes 2 [qty. 2], 3-7) 5, 13, 15, 16, 17, 18, 19, 23, 30	48 755 17	9	Screw, H.C. 3/8-16 x 3-1/4" (4) (Discontinued not available at Kohler Co.) 14	X-129-10
2	Plug, pipe (2) 5, 13, 15, 16, 17, 18, 19, 23, 30	X-75-42	9	Screw, H.C. 3/8-16 x 2-7/8" (4) 19, 31, 32, 34	X-159-5
2	Plug, pipe 26, 28	X-75-42	10	Washer, lock 3/8" (4) 5, 13, 14, 15, 16, 17, 18, 20, 23, 26, 28, 29, 30	X-22-1
3	Plug, pipe 3/4" 5, 13, 15, 16, 17, 18, 19, 20, 23, 29, 30	X-75-6	11	Washer 3/8" (4) 19	270889
3	Plug, pipe 1/2" 5, 13, 15, 16, 17, 18, 19, 23, 30	X-75-28	11	Washer 3/8" (3) 31, 32, 34	270889
4	Screw, sems hex hd. 5/16"-18 x 1/2" 5, 13, 15, 16, 17, 18, 19, 20, 23, 28, 29, 30	X-154-6	11	Washer hi-temp cut out 31, 32, 34	47 468 07
5	Washer, plain 5/16" 5, 13, 15, 16, 17, 18, 19, 20, 23, 28, 29, 30	X-25-44	12	Gasket, oil pan 5, 13, 14, 15, 16, 17, 18, 19, 20, 23, 28, 29, 30, 31, 32, 34	277014
6	Bracket, starter support 5, 13, 15, 16, 17, 18, 19, 20, 23, 28, 29, 30	48 126 08	13	Pan, oil 14	277462
7	Screw, tapping 1/4-20 x 3/4" 5, 13, 15, 16, 17, 18, 19, 20, 23, 28, 29, 30	X-67-62	14	Pan, oil 20	48 199 24
8	Dowel pin (2) 5, 13, 15, 16, 17, 18, 19, 20, 23, 26, 28, 29, 30, 31, 32, 34	230125-S	14	Pan, oil (Discontinued not available at Kohler Co.) 26	48 199 30
9	Screw, H.C. 3/8-16 x 4" (4) 5, 13, 15, 16, 17, 18, 20, 23, 26, 28, 29, 30	X-129-11	14	Pan, oil 28, 29	48 199 31
			14	Pan, oil (Discontinued not available at Kohler Co.) 30, 31, 32	48 199 33

Index Number	Description Variation Number	Part Number	Index Number	Description Variation Number	Part Number
14	Pan, oil 34	48 199 35	20	Gasket, adapter 31,32,34	48 041 09
15	Plug, flush (2) 31,32	X-75-32	21	Nipple, pipe 13	46 136 01
16	Plug, 1/8" 28	X-75-1	21	Nipple, pipe 14	48 136 02
16	Plug, 1/8" 29	X-75-23	21	Nipple, pipe 19	48 382 01
17	Screw, sems hex hd. 5/16-18 x 1-1/8" (2) 31,32,34	X-154-3	22	Cap, pipe 14	X-268-1
17	Screw, hex hd. 5/16-18 x 1-3/4" 31,32,34	X-6-22	23	Tee, pipe 13	48 451 01
18	Washer, lock 5/16" 31,32,34	X-21-1	23	Tee, pipe 19	A-108
19	Adapter, oil fill 31,32	48 029 09	24	Elbow, street 13,23	48 283 01
19	Adapter, oil fill 34	48 029 11	25	Elbow 19	SA-472



Index Number	Description Variation Number	Part Number	Index Number	Description Variation Number	Part Number
--------------	------------------------------	-------------	--------------	------------------------------	-------------

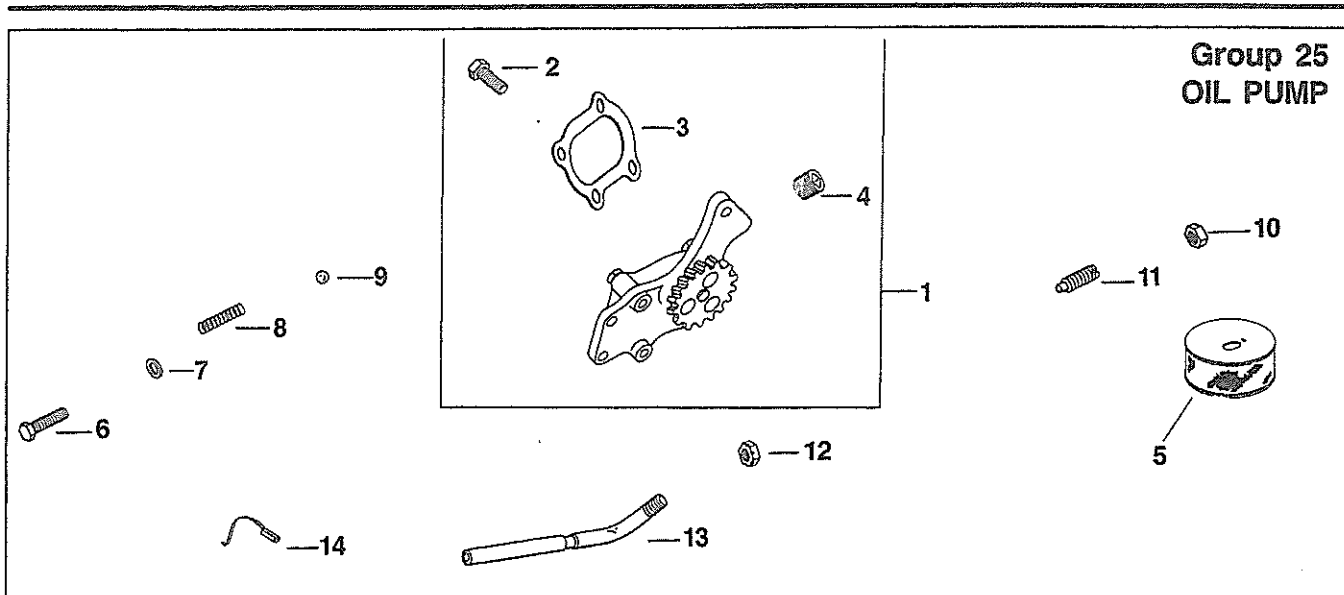
OLD STYLE PISTON DESIGN:

1	Piston w/ring set (std.) (2) 7,10	48 874 06
1	Piston w/ring set (.003) (2) 7,10	48 874 07
1	Piston w/ring set (.010) (2) 7,10	48 874 08
1	Piston w/ring set (.020) (2) 7,10	48 874 09
1	Piston w/ring set (.030) (2) 7,10	48 874 10
2	Retainer, piston pin (4) 7,10	47 018 01
3	Ring set (std.) (2) 7,10	48 108 05
3	Ring set (.010) (2) 7,10	48 108 06
3	Ring set (.020) (2) 7,10	48 108 07
3	Ring set (.030) (2) 7,10	48 108 08
4	Connecting rod (std.) (2) 7,10	48 067 12
4	Connecting rod (.010) (2) 7,10	48 067 13

NEW STYLE MAHLE PISTON DESIGN:

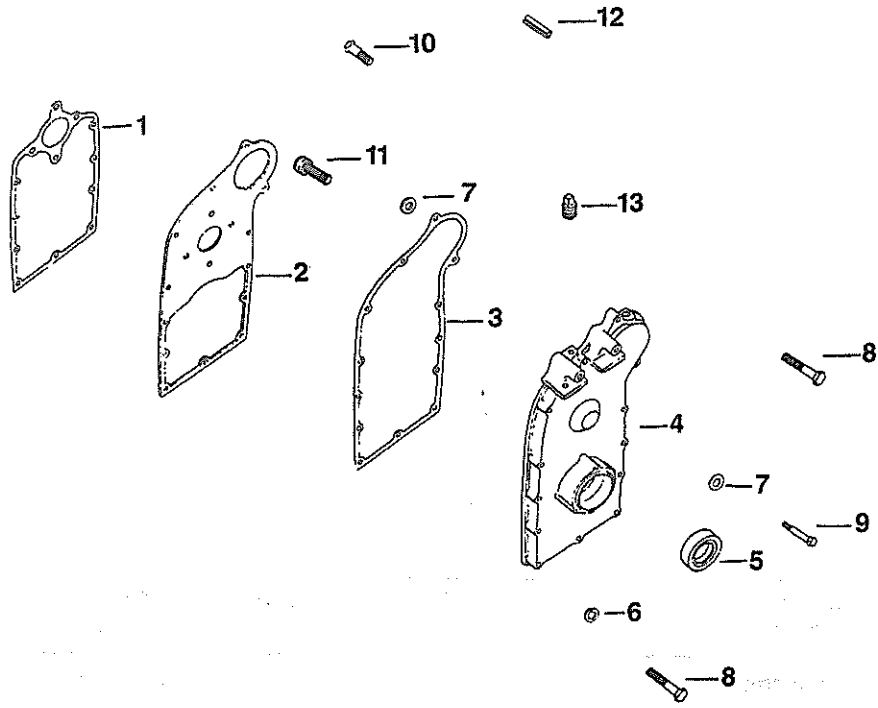
5	Piston w/ring set (std.) (2) 7,10	47 874 21
5	Piston w/ring set (.003) (2) 7,10	47 874 22
5	Piston w/ring set (.010) (2) 7,10	47 874 23
5	Piston w/ring set (.020) (2) 7,10	47 874 24
5	Piston w/ring set (.030) (2) 7,10	47 874 25
6	Ring set (std.) (2) 7,10	47 108 05
6	Ring set (.010) (2) 7,10	47 108 06
6	Ring set (.020) (2) 7,10	47 108 07
6	Ring set (.030) (2) 7,10	47 108 08
7	Connecting rod (std.) (2) 7,10	48 067 16
7	Connecting rod (.010) (2) 7,10	48 067 17

Note: Order parts according to design used on engine.



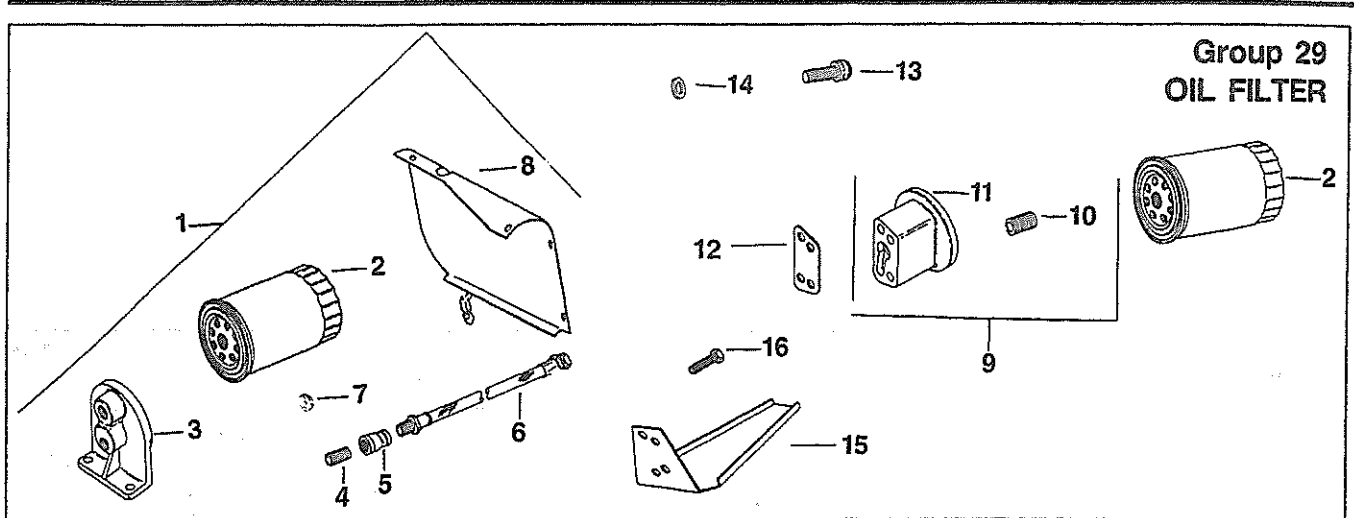
Index Number	Description Variation Number	Part Number	Index Number	Description Variation Number	Part Number
1	Pump assembly (Includes 2-4) 3,5,6,7	48 393 23	8	Spring, relief valve 3,5,6,7	48 089 03
2	Screw, sems 1/4-20 x 1" (4) 3,5,6,7	X-132-4	9	Ball, steel 3,5,6,7	X-212-3
3	Gasket, oil pump 3,5,6,7	48 055 02	10	Nut, relief valve 3,5,6,7	X-101-6
4	Plug, hex. ctsk. 1/8" N.P.T.F. 3,5,6,7	X-75-23	11	Screw, adjusting 3,5,6,7	277694
5	Strainer, oil 3,5,6,7	277202	12	Pin, 1/8"-27 3,5,6,7	X-629-1
6	Screw, H.C. 5/16-18 x 1" 3,5,6,7	X-154-2	13	Tube, oil inlet 3,7	277201
6	Screw, H.C. 5/16-18 x 3/4" 3,5,6,7	X-154-5	13	Tube, oil inlet 5	277224
7	Washer, copper 3,5,6,7	X-25-94	13	Tube, oil inlet 6	48 123 03
			14	Clip, oil tube 3,5,6,7	270085

**Group 26
GEAR COVER**



Index Number	Description Variation Number	Part Number	Index Number	Description Variation Number	Part Number
1	Gasket, gear cover plate 5,9,10,11,13,501	277022	9	Screw, gear cover 1-11/32 x 1-7/8" (2) 5,9,10,11,13,501	277086
2	Plate, gear cover 5,9,10,11,501	277021	10	Screw, H.C. 5/16-18 x 3/4" (4) 5,9,10,11,501	X-6-11
2	Plate, gear cover 13	48 146 09	10	Screw, H.C. 5/16-18 x 3/4" (6) 13	X-6-11
3	Gasket, gear cover 5,9,10,11,13,501	277020	11	Screw, hex socket hd. cap 5/16-18 x 3/4" 5,9,10,13	X-55-6
4	Cover, gear 5,9,10,501	277493	11	Screw, hex socket hd. cap 5/16-18 x 1-1/4" 11	X-55-15
4	Cover, gear 11	48 096 11	11	Screw, hex socket hd. cap 5/16-18 x 3/4" 501	
4	Cover, gear 13	48 096 13		Before serial no. 2026200015 use:	X-55-6
5	Oil seal, front 5,9,10,11,13,501	52 032 08		After serial no. 2026200005 use:	X-55-15
6	Washer, lock 5/16" (14) 5,9,10,11,501	X-21-1	12	Pin (2) 5	X-280-13
6	Washer, lock 5/16" (16) 13	X-21-1	13	Plug, pipe 5,9,10,11,12,501	X-75-2
7	Washer, plain 5/16" 11,13	X-25-20	13	Plug, pipe 13	X-75-38
7	Washer, plain 5/16" (Use after serial no. 2026200005) 501	X-25-20			
8	Screw, H.C. 5/16-18 x 1-3/4" (7) 5,9,10,11,12,13,501	X-6-22			

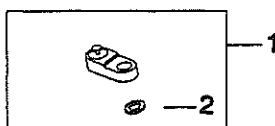
K582



Group 29 OIL FILTER

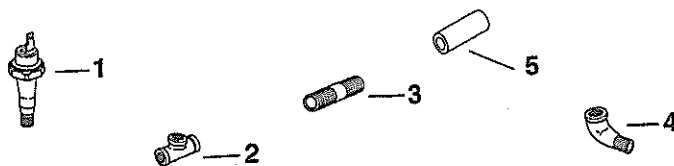
Index Number	Description Variation Number	Part Number	Index Number	Description Variation Number	Part Number
1	Kit, remote oil filter (Includes 2-8) 6	48 702 01	9	Adapter, filter assembly (Includes 10,11) (Use before serial no. 1414384) 503	48 180 03
1	Kit, remote oil filter (Includes 2-8) (Use after serial no. 1414384) 503	48 702 01	10	Nipple 3,8,9,10,11,501,502	277234
2	Filter, oil 3,6,8,9,10,11,13,501,502,503	277233	10	Nipple (Use before serial no.1414385) 503	277234
2	Filter, oil 12	52 050 02	11	Adapter, oil filter 3,8,9,10,11,501,502	48 029 02
3	Adapter, oil filter 6,502	25 029 01	11	Adapter, oil filter (Use before serial no. 1414385) 503	48 029 02
3	Adapter, oil filter (Use after serial no. 1414384) 503	25 029 01	12	Gasket 3,8,11,12,501,502	48 041 03
4	Nipple 1/8" (2) 6	X-217-6	12	Gasket (Use before serial no. 1414385) 503	48 041 03
4	Nipple 1/8" (2) (Use after serial no. 1414384) 503	X-217-6	12	Gasket (2) 9,10,13	48 041 03
5	Coupling, reducer (2) 6	X-250-8	13	Screw, socket head 5/16-18 x 2-1/4" (2) 3,8,9,10,11,12,13,501,502	X-55-9
5	Coupling, reducer (2) (Use after serial no. 1414384) 503	X-250-8	13	Screw, socket head 5/16-18 x 2-1/4" (2) (Use before serial no. 1414385) 503	X-55-9
6	Line, oil (24") (2) 6	48 353 06	14	Washer, plain 5/16" (2) 3,8,9,10,11,12,13,501,502	X-25-44
6	Line, oil (24") (2) (Use after serial no. 1414384) 503	48 353 06	14	Washer, plain 5/16" (2) (Use before serial no. 1414385) 503	X-25-44
7	Grommet (2) 6	X-284-7	15	Trough, spill 9,10	48 459 01
7	Grommet (2) (Use after serial no. 1414384) 503	X-284-7	15	Trough, spill 13	48 459 03
8	Baffle, cylinder head 6	48 124 05	16	Screw, sems 10-24 x 3/8" 13	X-131-1
8	Baffle, cylinder head (Use after serial no. 1414384) 503	48 124 05	NOT ILLUSTRATED		
9	Adapter, filter assembly (Includes 10,11) 3,8,9,10,11,12,13,501,502	48 180 03		Decal, oil filter 11,501	277586
				Decal, identification 6,503	41 037 03

**Group 31
HIGH TEMPERATURE CUTOUT**



Index Number	Description Variation Number	Part Number	Index Number	Description Variation Number	Part Number
1	Kit, hi-temp cutout (Includes 2) 1	47 703 01	2	Washer, hi-temp cutout 1	47 468 07
1	Kit, hi-temp cutout (Includes 2) (Use before serial no. 9687913) 501	47 703 01	2	Washer, hi-temp cutout (Use before serial no. 9687913) 501	47 468 07

**Group 32
OIL PRESSURE CUTOUT**



Index Number	Description Variation Number	Part Number	Index Number	Description Variation Number	Part Number
1	Switch, oil pressure 1,3,7,10,13,502	271662	3	Nipple 1,502	47 136 02
1	Switch, oil pressure (Use before serial no. 9200346) 501	271662	3	Nipple (Use before serial no. 1730800015) 501	47 136 02
1	Switch, oil pressure 5,11	48 099 07	4	Elbow, street 3	X-274-8
2	Tee, pipe 1,502	X-203-10	4	Elbow, street 7,13	48 283 03
2	Tee, pipe (Use before serial no. 1730800015) 501	X-203-10	5	Coupling 1/8" 13	X-216-25
3	Nipple 1" x 1/8" 13	25 136 08	NOT ILLUSTRATED Lead kit, (16 ga.) 7		238058

Index Number	Description Variation Number	Part Number	Index Number	Description Variation Number	Part Number
	GASKET SET (w/out Seals)	48 004 02		GASKET SET (w/Seals)	48 755 33
Set Includes:			Set Includes:		
	Gasket, breaker cover	52 041 11		Seal, front oil	52 032 08
	Gasket, valve cover (2)	270034		Gasket, breaker cover	52 041 11
	Gasket, carburetor	271030		Gasket, valve cover (2)	277034
	Gasket, oil pan	277014		Gasket, carburetor	271030
	Gasket, gear cover	277020		Gasket, oil pan	277014
	Gasket, gear cover plate	277022		Gasket, gear cover	277020
	Gasket, breather	277073		Gasket, gear cover plate	277022
	Gasket, governor housing	277078		Seal, rear oil	277065
	Gasket, closure plate	277087		Gasket, breather	277073
	Gasket, air cleaner	277093		Gasket, governor housing	277078
	Gasket, governor	277099		Gasket, closure plate	277087
	Gasket, closure plate .005 (3)	277103		Gasket, manifold (2)	277091
	Gasket, closure plate .010 (3)	277115		Gasket, air cleaner	277093
	Gasket, insulator	277649		Gasket, governor	277099
	Gasket, manifold (2)	277091		Gasket, closure plate .005 (3)	277103
	Gasket, manifold	48 041 11		Gasket, closure plate .010 (3)	277115
	Gasket, fuel pump	25 041 05		Gasket, manifold (2)	48 052 02
	Gasket, oil filter (2)	48 041 03		Gasket, insulator	277649
	Gasket, cylinder head (2)	48 041 13		Gasket, manifold	48 041 11
	Gasket, manifold (4)	48 041 12		Gasket, manifold	48 041 12
	Gasket, air cleaner	25 041 06		Gasket, fuel pump	25 041 05
	Gasket, fuel pump	25 041 09		Gasket, oil filter (2)	48 041 03
	Gasket, manifold (2)	48 052 02		Gasket, cylinder head (2)	48 041 13
				Gasket, air cleaner	25 041 06
				Gasket, fuel pump	25 041 09

FOR SALES AND SERVICE INFORMATION
IN U.S. AND CANADA, CALL
1-800-544-2444

KOHLERengines

ENGINE DIVISION, KOHLER CO., KOHLER, WISCONSIN 53044

FORM NO.:	TP-2420
ISSUED:	1/92
REVISED:	
MAILED:	6/92

LITHO IN U.S.A.