

# **Bolens<sup>®</sup>**

## **DIESEL TRACTORS**

from ISEKI

### **Tractor**

TS1910 (G192)  
TS1910F (G194)  
TS2420 (G242)  
TS2420F (G244)

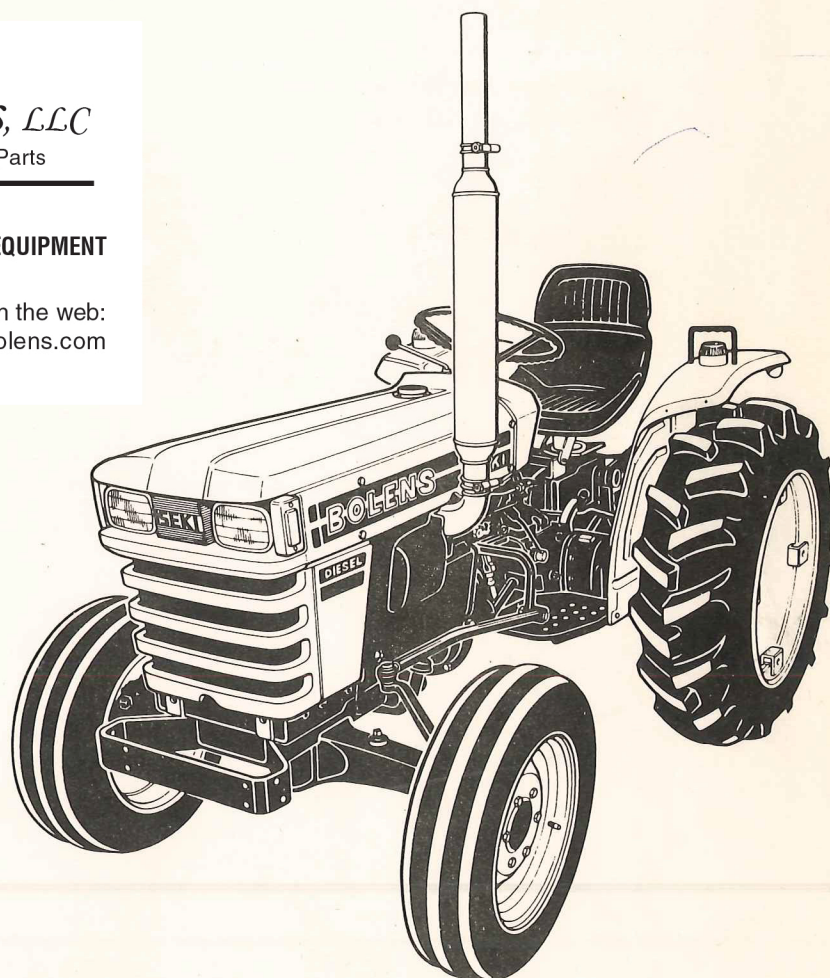


*Sam's Bolens, LLC*  
Your Source for Bolens Parts

**NEW & USED PARTS FOR ALL TYPES OF BOLENS EQUIPMENT**

219-661-1405  
Fax 219-663-9298

Visit us on the web:  
[www.samsbolens.com](http://www.samsbolens.com)



## **Parts List**



**THE JUST-RIGHT TRACTOR** for turf, commercial and agricultural chores



## HOW TO USE THIS PARTS CATALOGUE

### CATALOGUE CONSTRUCTION

Ref. No.	Parts No.	Description	Q'ty	Remarks
A	B	C	D	E

A. Ref. No : It is a reference number to find parts in the drawings.

B. Parts No : Every part has its own 12-digit code number with which it is computer-controlled.  
Parts which have "V" at their code numbers' head are purchasable in the market.

C. Description: Names, sizes, functions and other meanings of parts are found in this column.  
"LH" and "RH" of parts are given by facing to the tractor-moving-forward direction or looking at them mounted on the tractor.  
Components of an assembled part (ASS'Y or SET) are listed set in from ASS'Y or SET name and headed with ". " as in the following example:

(Example)

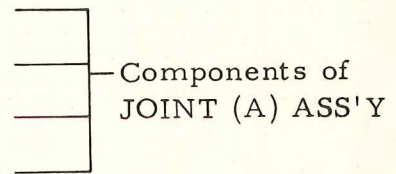
JOINT (A) ASS'Y

. YOKE (A), SPLINE

. JOINT, CROSS

. YOKE (B), SPLINE

. RING, SNAP/C TYPE 20



Abbreviations which are used in this column are explained in Table page 2

D. Q'ty: This column specifies the quantity of a part required for one tractor. "AR" is the abbreviation of "AS REQUIRED".

E. Remarks: Additional notices are said here if any.

Explanation of symbols:

" ★ " shows parts made to order.

" △ " shows parts not sold as a single part.

REQUESTS ON ORDERING PARTS:

Code No., Part Name, and Quantity should be typed clearly and correctly on your order sheet without fail.

Especially wrong code numbers which are computer-controlled may result in wrong delivery of parts.

ABBREVIATIONS

ABBREVIATIONS	ORIGINAL WORDS	ABBREVIATIONS	ORIGINAL WORDS
ACCEL	ACCELERATOR	NO	NUMBER
ADJ	ADJUST; ADJUSTING	NR	NEEDLE ROLLER
ASSY	ASSEMBLY	OS	OVER SIZE
BKT	BRACKET	P=	PITCH
CONN	CONNECTING	PKG	PACKING
CRANK	CRANKSHAFT	PL	PLAIN
CYL	CYLINDER	PRESS	PRESSURE
DEL	DELIVERY	PTO	POWER TAKE OFF
DIFF	DIFFERENTIAL	R	REAR
EXH	EXHAUST	RB	RADIAL BALL
F	FRONT	RH	RIGHT HAND
HI	HIGH	SP	SPRING
HYD	HYDRAULIC	ST	STRAIGHT
I	INNER	STD	STANDARD
INJ	INJECTION	T	TEETH
LH	LEFT HAND	TB	THRUST BALL
LW	LOWER	US	UNDER SIZE
MANF	MANIFOLD	UP	UPPER
MAX	MAXIMUM	W:	WITH
MECH	MECHANICAL	3P	THREE POINT
MIN	MINIMUM		



	PAGE
Fig. 18     STARTER (TS2220) .....	41
Fig. 19     GENERATOR (TS1910) .....	43
Fig. 20     GENERATOR (TS2220) .....	45

## CONTENTS

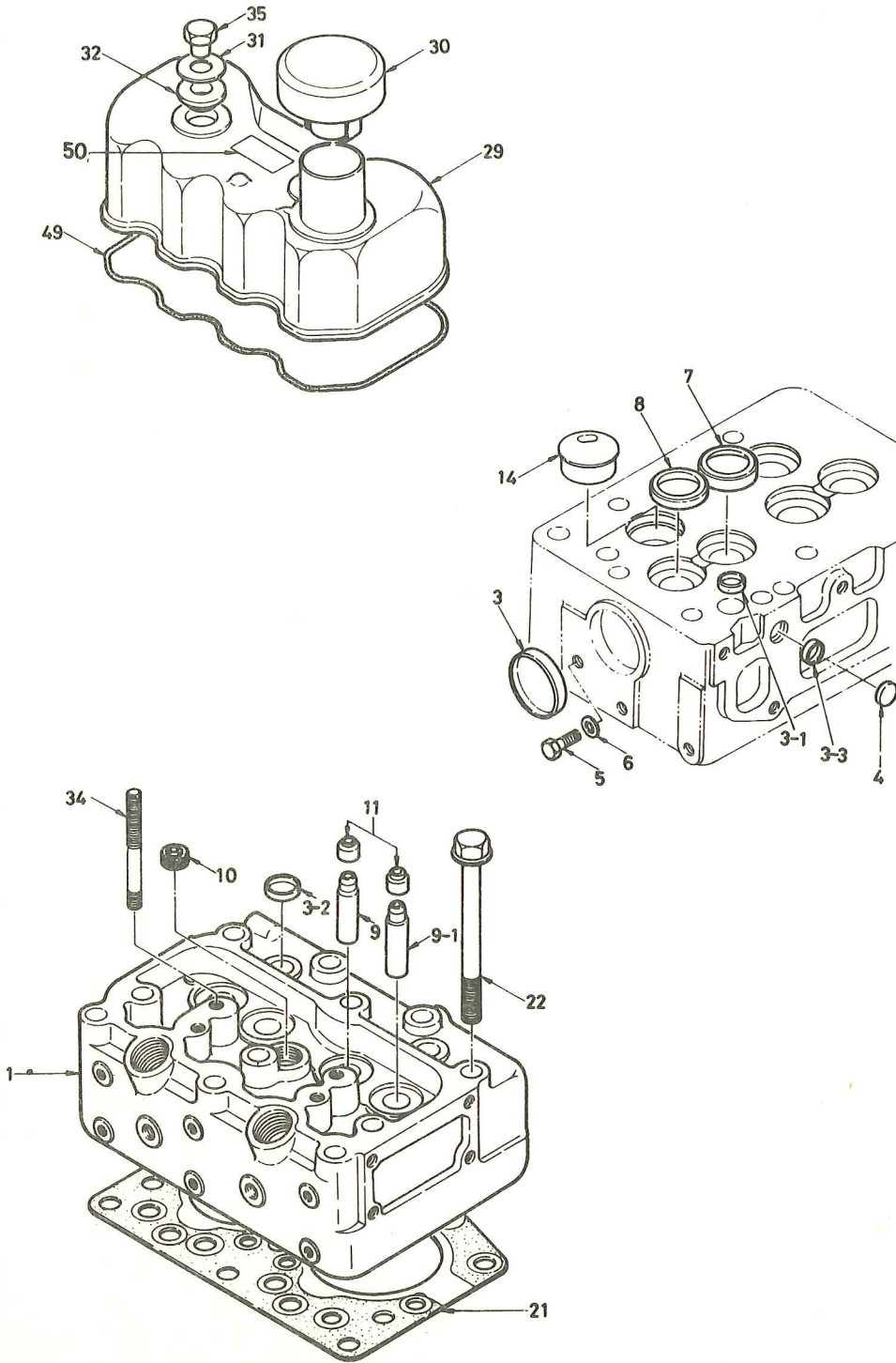
CHASSIS		PAGE
Fig. 21	RADIATOR .....	49
Fig. 22	INTAKE SYSTEM .....	51
Fig. 23	EXHAUST AND INTAKE SYSTEM .....	53
Fig. 24	BONNET .....	55
Fig. 25	FRAME SYSTEM .....	57
Fig. 26	AXLE BRACKET (2WD) .....	59
Fig. 27	AXLE BRACKET (4WD) .....	61
Fig. 28	FRONT AXLE (2WD) .....	63
Fig. 29	FRONT AXLE (4WD) .....	65
Fig. 30	DIFFERENTIAL GEAR (4WD) .....	67
Fig. 31	FINAL CASE AND KNUCKLE ARM (4WD) .....	69
Fig. 32	FRONT WHEEL (2WD) .....	71
Fig. 33	FRONT WHEEL (4WD) .....	73
Fig. 34	STEERING WHEEL .....	75
Fig. 35	METER PANEL .....	77
Fig. 36	CLUTCH HOUSING (2WD) .....	79
Fig. 37	CLUTCH HOUSING (4WD) .....	81
Fig. 38	CLUTCH HOUSING GEAR (4WD) .....	83

	PAGE
Fig. 39	CLUTCH PEDAL ..... 85
Fig. 40	DRIVE SHAFT SYSTEM (4WD) ..... 87
Fig. 41	CLUTCH ..... 89
Fig. 42	FUEL TANK ..... 91
Fig. 43	THROTTLE SYSTEM ..... 93
Fig. 44	TRANSMISSION CASE ..... 95
Fig. 45	TRANSMISSION GEAR ..... 99
Fig. 46	POWER TAKE OFF ..... 101
Fig. 47	GEAR SHIFT ..... 105
Fig. 48	REAR AXLE HOUSING ..... 109
Fig. 49	DIFFERENTIAL GEAR ..... 111
Fig. 50	STEP AND BRAKE SYSTEM ..... 113
Fig. 51	BRAKE ..... 115
Fig. 52	HYDRAULIC SYSTEM ..... 117
Fig. 53	HYDRAULIC LIFT ARM ..... 123
Fig. 54	HYDRAULIC PIPING ..... 125
Fig. 55	FENDER AND SEAT ..... 127
Fig. 56	REAR WHEEL ..... 131
Fig. 57	ELECTRICAL SYSTEM (1) ..... 133
Fig. 58	ELECTRICAL SYSTEM (2) ..... 135



**E N G I N E**

**Fig.1 CYL. HEAD AND OTHER PARTS (HEAD COVER)**

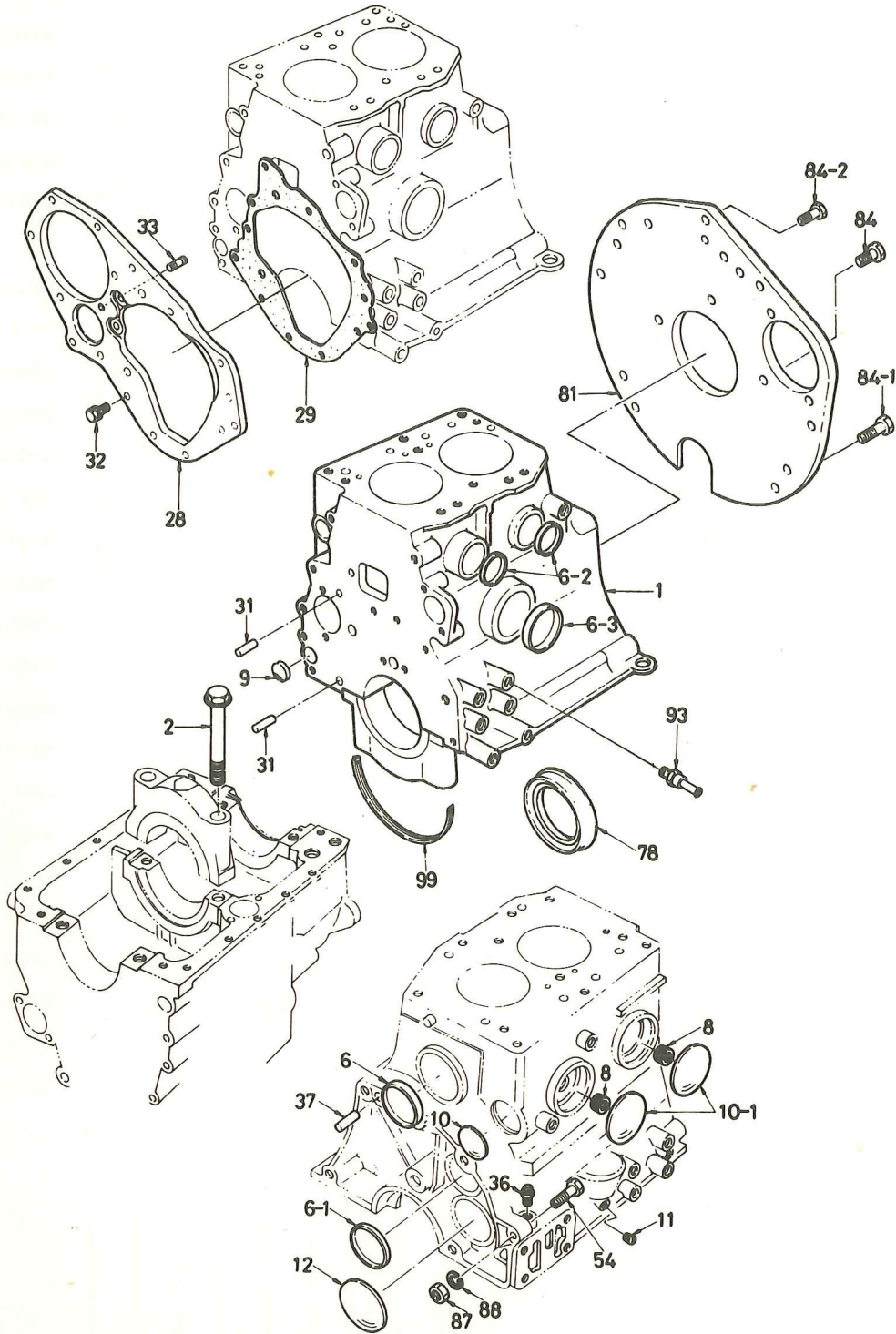


	PAGE
Fig. 59	ELECTRICAL SYSTEM (3) ..... 137
Fig. 60	WIRING DIAGRAM ..... 141
Fig. 61	BATTERY SYSTEM ..... 143
Fig. 62	THREE POINT SYSTEM ..... 145
Fig. 63	ACCESSORIES AND TOOLS ..... 149



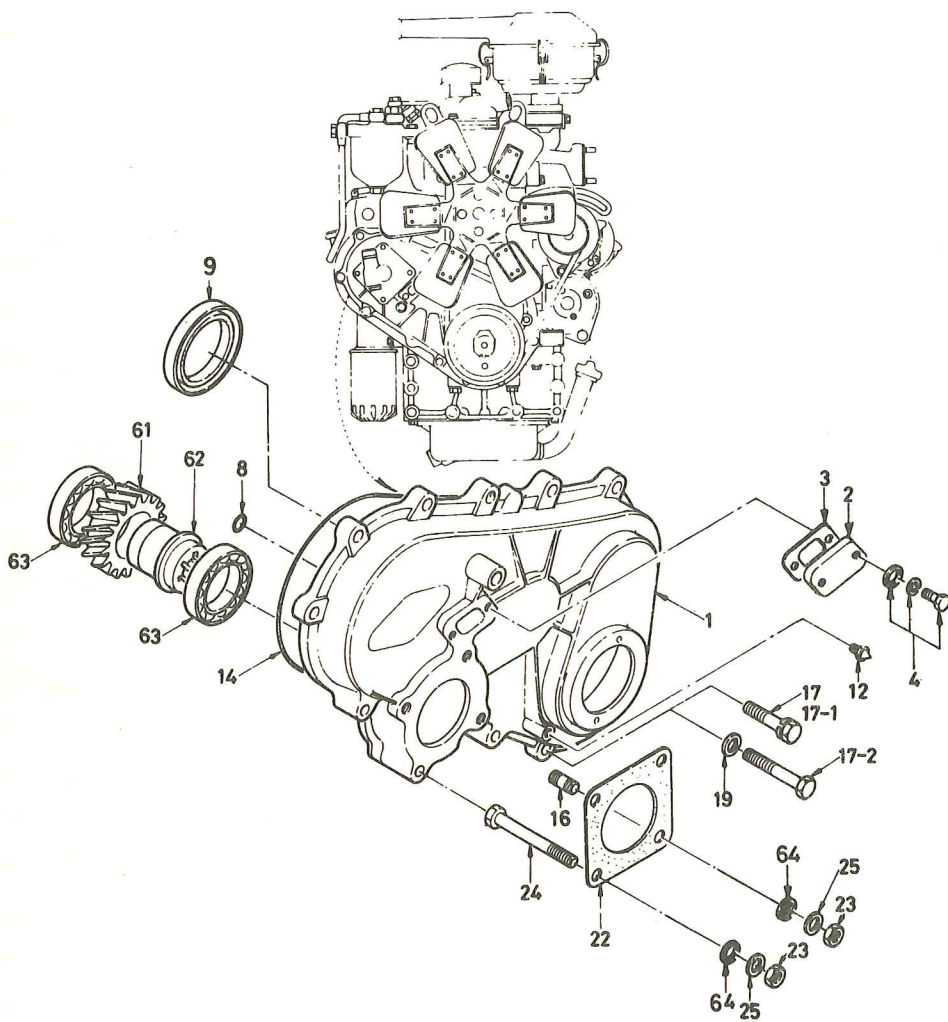
Ref No.	Parts Code	Name	Q'ty								Parts Code	
			TS1910				TS2220					
			G	GLF	GB	GLFB	S	SB	LF	LFB		
1- 1	1875931	HEAD, CYL ASSY						1	1	1	1	5681-111-0097-0
1- 1-1	1875932	HEAD, CYL ASSY	1	1	1	1						5681-111-0098-0
1- 3	1876123	CUP, SEALING R,	1	1	1	1	1	1	1	1	1	5691-112-9006-0
1- 3-1	1876124	CUP, SEALING LW	2	2	2	2	2	2	2	2	2	5691-112-9081-0
1- 3-2	1876125	CUP, SEALING UP	2	2	2	2	2	2	2	2	2	5691-112-9082-0
1- 3-3	1876126	CUP, SEALING	2	2	2	2	2	2	2	2	2	5691-112-9083-0
1- 4	1876103	PLUG	2	2	2	2	2	2	2	2	2	5690-986-0522-0
1- 5	1876088	PLUG, SCREW	1	1	1	1	1	1	1	1	1	5690-920-2008-0
1- 6	1876115	PACKING, PLUG	1	1	1	1	1	1	1	1	1	5690-992-0843-0
1- 7	1876155	INSERT, VALVE SEAT INLET	2	2	2	2	2	2	2	2	2	5691-171-5054-0
1- 8	1876154	INSERT, VALVE SEAT EXH	2	2	2	2	2	2	2	2	2	5691-171-1066-0
1- 9	1876156	GUIDE, VALVE INLET	2	2	2	2	2	2	2	2	2	5691-172-1113-0
1- 9-1	1876157	GUIDE, VALVE EXH	2	2	2	2	2	2	2	2	2	5691-172-1159-0
1-10	1876094	PLUG	1	1	1	1	1	1	1	1	1	5690-966-4034-0
1-11	1875966	SEAL, VALVE	4	4	4	4	4	4	4	4	4	5681-256-9004-0
1-14	1876128	PLUG, HOT	2	2	2	2						5691-115-0194-0
1-14-1	1876129	PLUG, HOT					2	2	2	2		5691-115-0604-0
1-21	1876127	GASKET, CYL HEAD	1	1	1	1	1	1	1	1	1	5691-114-1641-0
1-22	1876097	BOLT, CYL HEAD	11	11	11	11	11	11	11	11	11	5690-980-2514-0
1-29	1875933	COVER, CYL HEAD	1	1	1	1	1	1	1	1	1	5681-117-0083-0
1-30	1876158	CAP, OIL FILLER	1	1	1	1	1	1	1	1	1	5691-175-0602-0
1-31	1876132	WASHER	2	2	2	2	2	2	2	2	2	5691-117-9105-0
1-32	1876131	PACKING, COVER NUT	2	2	2	2	2	2	2	2	2	5691-117-9030-0
1-34	1876102	STUD, HEAD COVER	2	2	2	2	2	2	2	2	2	5690-983-0212-0
1-35	1876130	NUT, HEAD COVER	2	2	2	2	2	2	2	2	2	5691-117-5011-0
1-49	1875934	PACKING	1	1	1	1	1	1	1	1	1	5681-117-3005-0
1-50	1875919	MARK, CAUTION	1	1	1	1						5688-588-5366-0
1-50-1	1875920	MARK, CAUTION					1	1	1	1		5688-588-5368-0

**Fig.2 CYL. BODY AND OTHER PARTS**



Ref No.	Parts Code	Name	Q'ty								Parts Code		
			TS1910				TS2220						
			G	GLF	GB	GLFB	S	SB	LF	LFB			
2- 1	1876134	BODY, CYL ASSY	1	1	1	1							5691-121-7619-0
2- 1-1	1876135	BODY, CYL ASSY						1	1	1	1		5691-121-7803-0
2- 2	1876099	BOLT	6	6	6	6	6	6	6	6	6		5690-980-2591-0
2- 6	1876138	CUP, SEALING R.	1	1	1	1	1	1	1	1	1		5691-121-9195-0
2- 6-1	1876136	CUP, SEALING R.	1	1	1	1	1	1	1	1	1		5691-121-9005-0
2- 6-2	1876137	CUP, SEALING LH	2	2	2	2	2	2	2	2	2		5691-121-9006-0
2- 6-3	1876123	CUP, SEALING LH	1	1	1	1	1	1	1	1	1		5691-112-9006-0
2- 8	1876094	PLUG, TAPPET CHAMBER	2	2	2	2	2	2	2	2	2		5690-966-4034-0
2- 9	1876085	PLUG, OIL GALLERY	2	2	2	2	2	2	2	2	2		5690-920-1318-0
2-10	1876086	PLUG, TAPPET CHAMBER	2	2	2	2	2	2	2	2	2		5690-920-1328-0
2-10-1	1876087	PLUG, TAPPET CHAMBER	2	2	2	2	2	2	2	2	2		5690-920-1345-0
2-11	1876104	PLUG	1	1	1	1	1	1	1	1	1		5690-986-4015-0
2-12	1876084	PLUG	1	1	1	1	1	1	1	1	1		5690-920-1056-0
2-28	1876140	PLATE, F.	1	1	1	1	1	1	1	1	1		5691-131-1806-0
2-29	1875922	PACKING	1	1	1	1	1	1	1	1	1		5681-131-2011-0
2-29-1	1875939	PACKING						1	1	1	1		5681-131-1011-0
2-31	1876066	PIN, STRAIGHT	2	2	2	2	2	2	2	2	2		5690-815-1030-0
2-32	1876038	BOLT, SEMS	3	3	3	3	3	3	3	3	3		5690-190-0822-0
2-33	1876062	STUD	2	2	2	2	1	1	1	1	1		5690-411-0822-0
2-36	1876108	NIPPLE	1	1	1	1	1	1	1	1	1		5690-990-2299-0
2-37	1876068	PIN, STRAIGHT	1	1	1	1	1	1	1	1	1		5690-816-1032-0
2-54	1876293	BOLT	1	1	1	1	1	1	1	1	1		5698-911-2911-0
2-78	1876119	SEAL, CRANKSHAFT	1	1	1	1	1	1	1	1	1		5690-992-4449-0
2-81	1875937	PLATE, R.	1	1	1	1	1	1	1	1	1		5681-134-1061-0
2-84	1876096	BOLT	3	3	3	3	3	3	3	3	3		5690-980-0684-0
2-84-1	1875941	BOLT/M12×25	2	2	2	2	2	2	2	2	2		5690-193-1225-0
2-84-2	1876043	BOLT, SEMS/M10×20	3	3	3	3	3	3	3	3	3		5690-191-1020-0
2-87	1876070	NUT/M10	1	1	1	1	1	1	1	1	1		5690-911-0410-0
2-88	1876077	WASHER, SP/M10	1	1	1	1	1	1	1	1	1		5690-915-0510-0
2-93	1875971	PIPE, WATER DRAIN	1	1	1	1	1	1	1	1	1		5681-372-1028-0
2-99	1876139	PACKING	2	2	2	2	2	2	2	2	2		5691-125-8108-0

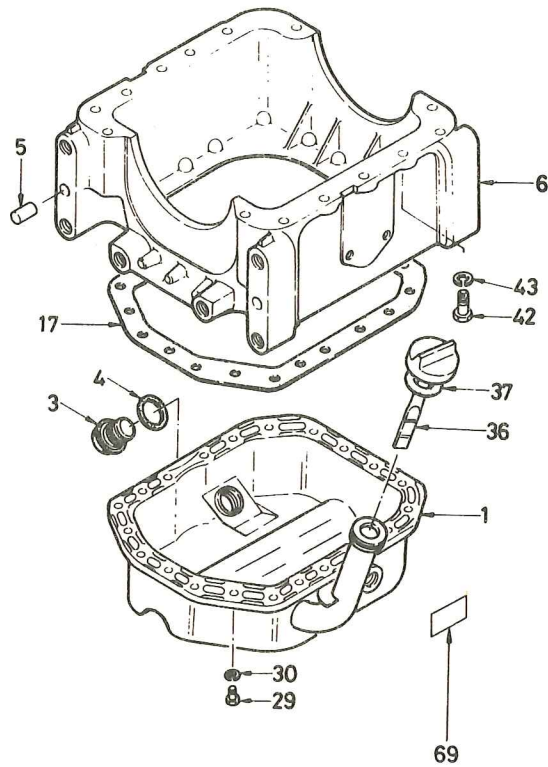
**Fig.3 TIMING GEAR CASE AND TIMING GEAR**





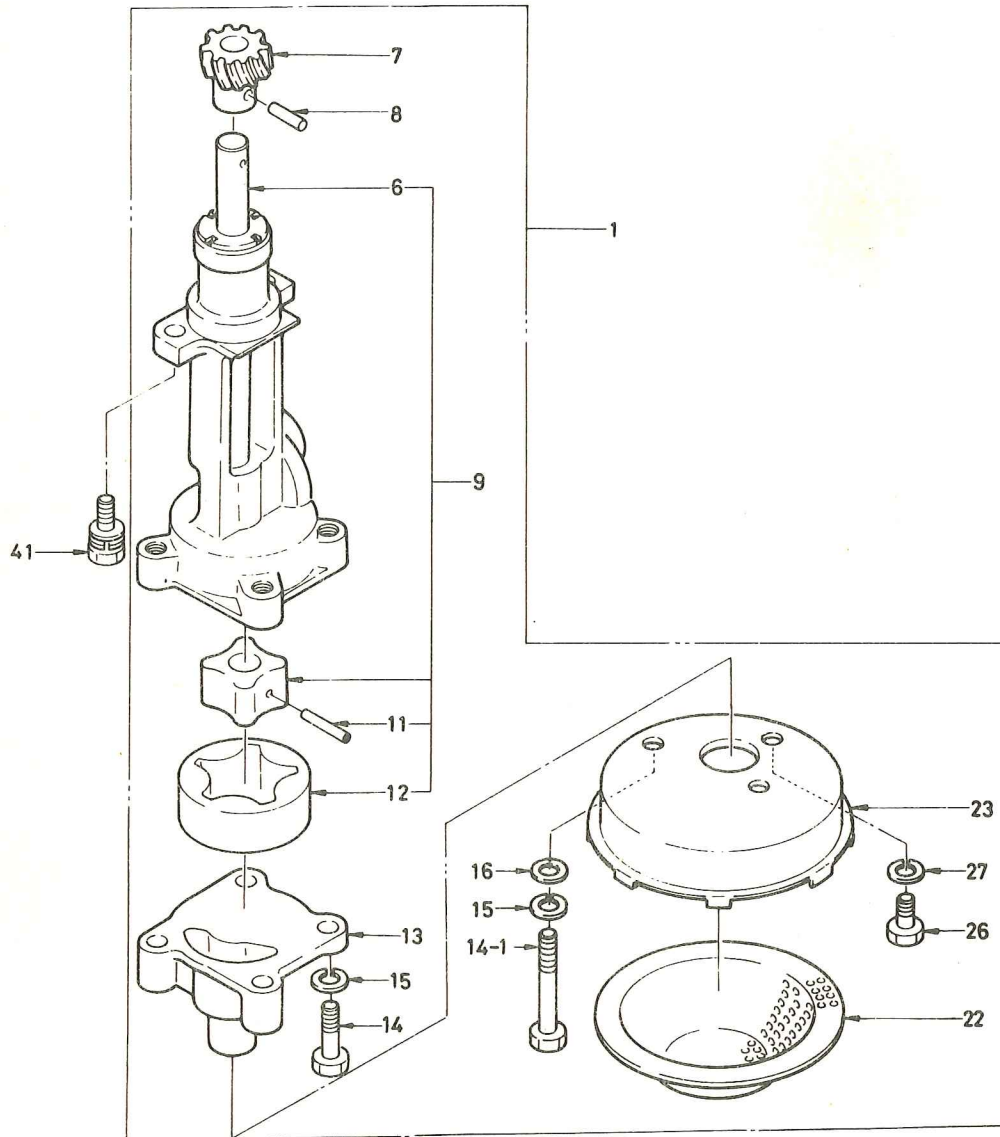
Ref No.	Parts Code	Name	Qty								Parts Code	
			TS1910				TS2220					
			G	GLF	GB	GLFB	S	SB	LF	LFB		
3- 1	1876141	CASE, TIMING GEAR	1	1	1	1	1	1	1	1	1	5691-131-1807-1
3- 2	1876145	COVER, GEAR CASE	1	1	1	1	1	1	1	1	1	5691-132-1137-0
3- 3	1876146	PACKING	1	1	1	1	1	1	1	1	1	5691-132-2066-0
3- 4	1875944	BOLT/M6×12	2	2	2	2	2	2	2	2	2	5690-190-0612-0
3- 8	1876142	PACKING, GEAR CASE	1	1	1	1	1	1	1	1	1	5691-131-2046-0
3- 9	1876118	SEAL, OIL	1	1	1	1	1	1	1	1	1	5690-992-4448-0
3-12	1876148	POINTER, TIMING GEAR	1	1	1	1	1	1	1	1	1	5691-132-7045-0
3-14	1876144	PACKING	1	1	1	1	1	1	1	1	1	5691-131-2803-0
3-16	1876061	STUD	3	3	3	3	3	3	3	3	3	5690-411-0820-0
3-17	1875928	BOLT, SEMS	7	7	7	7						5680-903-0015-0
3-17-1	1875945	BOLT, SEMS					7	7	7	7		5690-197-0840-0
3-17-2	1876029	BOLT	2	2	2	2	2	2	2	2	2	5690-105-5855-0
3-19	1876076	WASHER, SP/M8	2	2	2	2	2	2	2	2	2	5690-915-0508-0
3-19-1	1876081	WASHER/M8					2	2	2	2		5690-916-4508-0
3-22	1876147	PACKING	1	1	1	1	1	1	1	1	1	5691-132-2083-0
3-23	1876069	NUT	4	4	4	4	4	4	4	4	4	5690-911-0408-0
3-24	1876031	BOLT/M8×75	1	1	1	1	1	1	1	1	1	5690-105-5875-0
3-25	1876076	WASHER, SP/M8	4	4	4	4	4	4	4	4	4	5690-915-0508-0
3-61	1876174	GEAR, OIL PUMP	1	1	1	1	1	1	1	1	1	5691-252-5801-0
3-62	1876177	SHAFT, GEAR	1	1	1	1	1	1	1	1	1	5691-253-3801-0
3-63	1876023	BEARING, BALL	2	2	2	2	2	2	2	2	2	5690-009-0667-0
3-64	1876081	WASHER/M8					4	4	4	4		5690-916-4508-0

**Fig.4 OIL PAN AND OTHER PARTS**



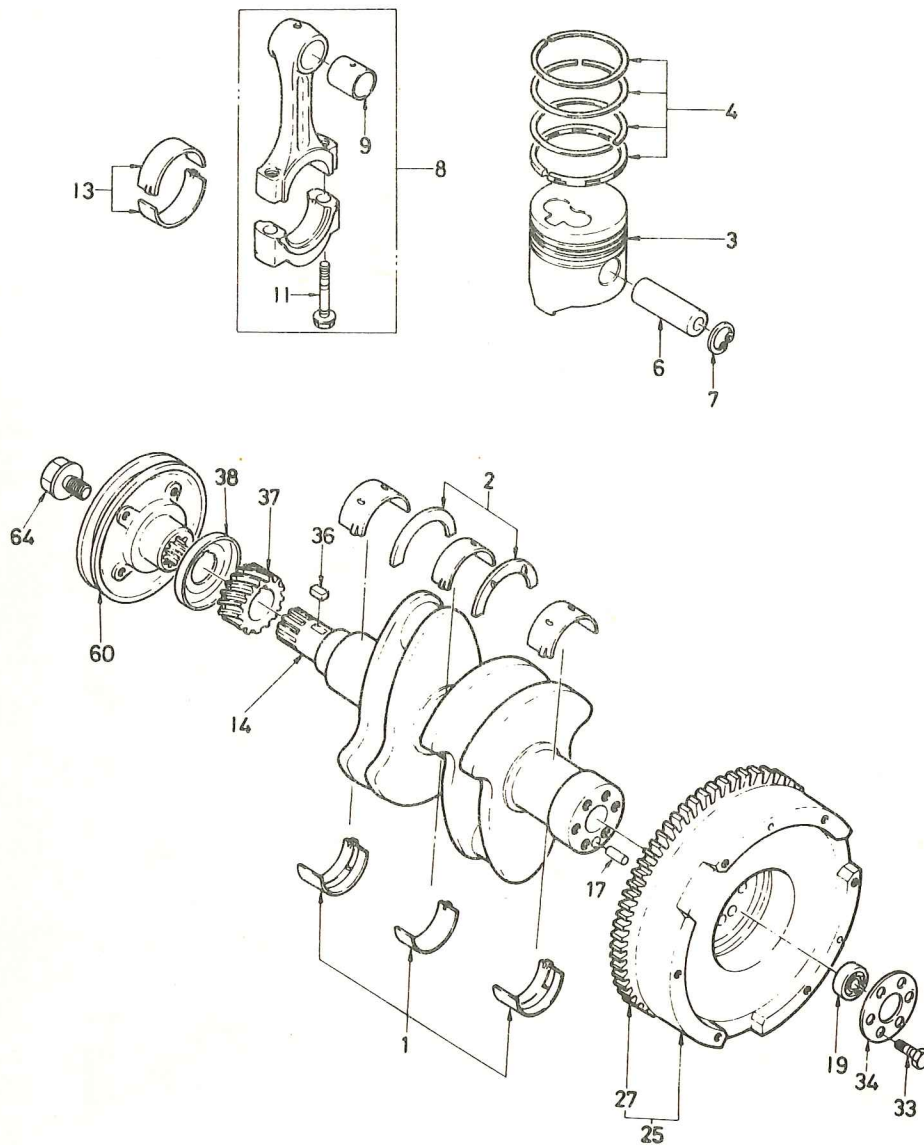
Ref No.	Parts Code	Name	Q'ty								Parts Code	
			TS1910				TS2220					
			G	GLF	GB	GLFB	S	SB	LF	LFB		
4- 1	1875947	PAN, OIL ASSY						1	1	1	1	5681-136-0355-0
4- 3	1876093	PLUG, OIL DRAIN	2	2	2	2	1	1	1	1		5690-966-2012-0
4- 4	1876112	PACKING, OIL DRAIN	2	2	2	2	1	1	1	1		5690-992-0651-0
4- 5	1876067	PIN, STRAIGHT	2	2	2	2	2	2	2	2	2	5690-815-1222-0
4- 6	1875935	CASE, CRANK	1	1	1	1						5681-121-5029-0
4- 6-1	1875948	CASE, CRANK					1	1	1	1		5681-121-5012-0
4-17	1876150	PACKING, OIL PAN	1	1	1	1	1	1	1	1	1	5691-136-7801-0
4-29	1876054	BOLT/M6×14	21	21	21	21	21	21	21	21	21	5690-205-0614-0
4-30	1876075	WASHER, SP/M6	21	21	21	21	21	21	21	21	21	5690-915-0506-0
4-36	1875950	GAUGE, OIL LEVEL	1	1	1	1	1	1	1	1	1	5681-176-0052-1
4-37	1876111	PACKING, LEVEL GAUGE	1	1	1	1	1	1	1	1	1	5690-992-0609-0
4-42	1876057	BOLT	8	8	8	8	8	8	8	8	8	5690-206-0822-0
4-42-1	1876033	BOLT/M8×80	2	2	2	2	2	2	2	2	2	5690-106-5880-0
4-42-2	1876091	BOLT	3	3	3	3	4	4	4	4	4	5690-960-2070-0
4-42-3	1876090	BOLT	1	1	1	1	1	1	1	1	1	5690-960-0082-0
4-43	1876076	WASHER, SP/M8	14	14	14	14	14	14	14	14	14	5690-915-0508-0
4-69	1875954	MARK, OIL PAN CAUTION	1	1	1	1						5688-588-5363-0
4-69-1	1875956	MARK, OIL PAN CAUTION					1	1	1	1		5688-588-5358-0

**Fig.5 OIL PUMP AND FIXING PARTS**



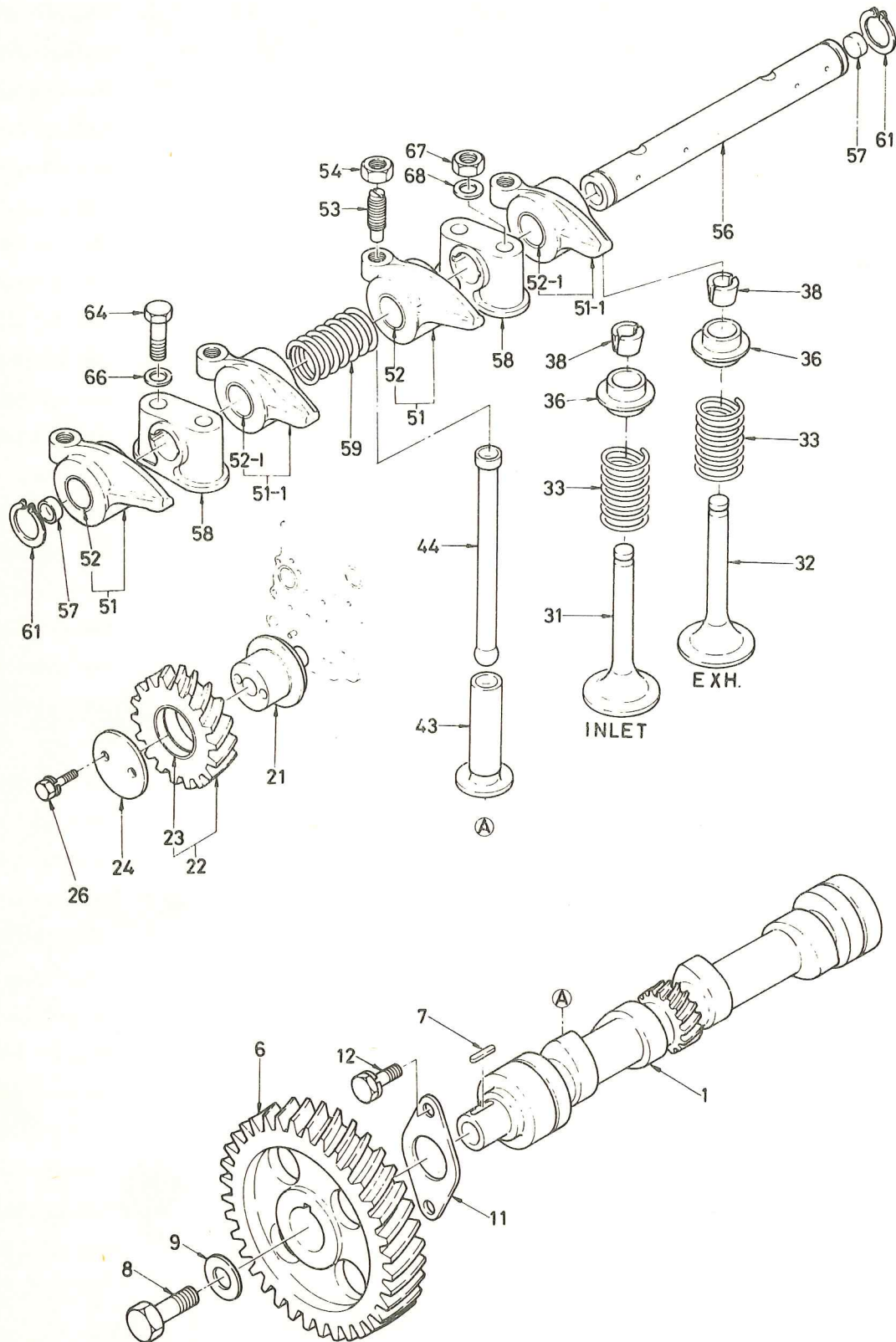
Ref No.	Parts Code	Name	Qty								Parts Code
			TS 1910				TS 2220				
			G	GLF	GR	GLFB	S	SB	LF	LFB	
5- 1	1876194	PUMP, OIL ASSY	1	1	1	1	1	1	1	1	5691-310-0615-0
5- 6	Use Ref. 9	SHAFT, OIL PUMP DRIVE	1	1	1	1	1	1	1	1	5691-312-3103-0
5- 7	1876201	PINION, OIL PUMP DRIVE	1	1	1	1	1	1	1	1	5691-312-8079-0
5- 8	1876106	PIN	1	1	1	1					5690-987-6084-0
5- 8-1	1876107	PIN					1	1	1	1	5690-987-8084-0
5- 9	1876197	ROTOR SET	1	1	1	1	1	1	1	1	5691-312-0601-0
5-11	1876202	PIN	1	1	1	1	1	1	1	1	5691-312-9017-0
5-12	1876200	VANE, OIL PUMP	1	1	1	1	1	1	1	1	5691-312-5047-0
5-13	1876196	COVER, OIL PUMP	1	1	1	1	1	1	1	1	5691-311-3086-0
5-14	1876053	BOLT/M8×25	2	2	2	2	2	2	2	2	5690-204-0825-0
5-14-1	1876026	BOLT/M8×50	2	2	2	2	2	2	2	2	5690-104-5850-0
5-15	1876076	WASHER, SP/M8	4	4	4	4	4	4	4	4	5690-915-0508-0
5-16	1876081	WASHER/M8	2	2	2	2	2	2	2	2	5690-916-4508-0
5-22	1876204	GAUZE, OIL STRAINER	1	1	1	1	1	1	1	1	5691-314-3603-0
5-23	1876203	CASE, OIL STRAINER	1	1	1	1	1	1	1	1	5691-314-1604-0
5-26	1876050	BOLT	1	1	1	1	1	1	1	1	5690-204-0812-0
5-27	1876076	WASHER, SP/M8	1	1	1	1	1	1	1	1	5690-915-0508-0
5-41	1876046	BOLT, SEMS	2	2	2	2	2	2	2	2	5690-197-0825-0

**Fig.6 CRANKSHAFT, CRANK BRG., PISTON, CONN. ROD AND FLYWHEEL**



Ref No.	Parts Code	Name	Q'ty								Parts Code	
			TS1910				TS2220					
			G	GLF	GB	GLFB	S	SB	LF	LFB		
6- 1	1875938	BEARING, CRANK KIT/STD	1	1	1	1	1	1	1	1	1	5681-151-0011-0
6- 1-1	1875940	BEARING, CRANK KIT/0.50 US	1	1	1	1	1	1	1	1	1	5681-154-0011-0
6- 1-2	1875942	BEARING, CRANK KIT/1.00 US	1	1	1	1	1	1	1	1	1	5681-156-0010-0
6- 2	1876152	BEARING, THRUST	2	2	2	2	2	2	2	2	2	5691-158-1057-0
6- 3	1875960	PISTON/STD	2	2	2	2						5681-211-1119-0
6- 3-1	1875946	PISTON/0.50 OS	2	2	2	2						5681-211-4056-1
6- 3-2	1875964	PISTON/1.00 OS	2	2	2	2						5681-211-6119-0
6- 3-3	1875967	PISTON/STD					2	2	2	2		5681-211-1137-0
6- 3-4	1875970	PISTON/0.50 OS					2	2	2	2		5681-211-4137-0
6- 3-5	1875976	PISTON/1.00 OS					2	2	2	2		5681-211-6137-0
6- 4	1875980	RING, PISTON KIT/STD	2	2	2	2	2	2	2	2	2	5681-212-1010-0
6- 4-1	1875987	RING, PISTON KIT/0.50 OS	2	2	2	2	2	2	2	2	2	5681-212-4010-0
6- 4-2	1875985	RING, PISTON KIT/1.00 OS	2	2	2	2	2	2	2	2	2	5681-212-6010-0
6- 6	1875951	PIN, PISTON	2	2	2	2	2	2	2	2	2	5681-221-1009-0
6- 7	1875929	RING, SNAP	4	4	4	4	4	4	4	4	4	5680-958-7001-0
6- 8	1875988	ROD, CONN ASSY	2	2	2	2						5681-223-0027-0
6- 8-1	1876010	ROD, CONN ASSY					2	2	2	2		5681-223-0028-0
6- 9	1876163	BUSH, SMALL END	2	2	2	2	2	2	2	2	2	5691-225-1062-0
6-11	1875952	BOLT	4	4	4	4	4	4	4	4	4	5681-223-5006-0
6-13	1875953	BEARING, CONN ROD SET	2	2	2	2	2	2	2	2	2	5681-227-1005-0
6-13-1	1875955	BEARING, CONN ROD/0.50 US	2	2	2	2	2	2	2	2	2	5681-227-4005-0
6-13-2	1875957	BEARING, CONN ROD/1.00 US	2	2	2	2	2	2	2	2	2	5681-227-6005-0
6-14	1876012	CRANKSHAFT	1	1	1	1						5681-231-0098-0
6-14-1	1876020	CRANKSHAFT					1	1	1	1		5691-232-0608-1
6-17	1876067	PIN	1	1	1	1	1	1	1	1	1	5690-815-1222-0
6-19	1875930	BEARING, RB	1	1	1	1	1	1	1	1	1	5680-980-1001-0
6-25	1876166	FLYWHEEL ASSY	1	1	1	1	1	1	1	1	1	5691-233-0642-0
6-27	1876167	GEAR, RING/108T	1	1	1	1	1	1	1	1	1	5691-233-3036-1
6-33	1875923	BOLT	6	6	6	6	6	6	6	6	6	5680-900-0018-1
6-34	1875959	WASHER	1	1	1	1	1	1	1	1	1	5681-233-6002-0
6-36	1876021	KEY, FEATHER	1	1	1	1	1	1	1	1	1	5690-803-0716-0
6-37	1876171	GEAR, CRANK	1	1	1	1	1	1	1	1	1	5691-252-1042-0
6-38	1876168	THROWER, OIL	1	1	1	1	1	1	1	1	1	5691-236-2039-0
6-60	1876022	PULLEY, CRANK	1	1	1	1	1	1	1	1	1	5681-237-1152-0
6-64	1876035	BOLT	1	1	1	1	1	1	1	1	1	5680-900-0132-0

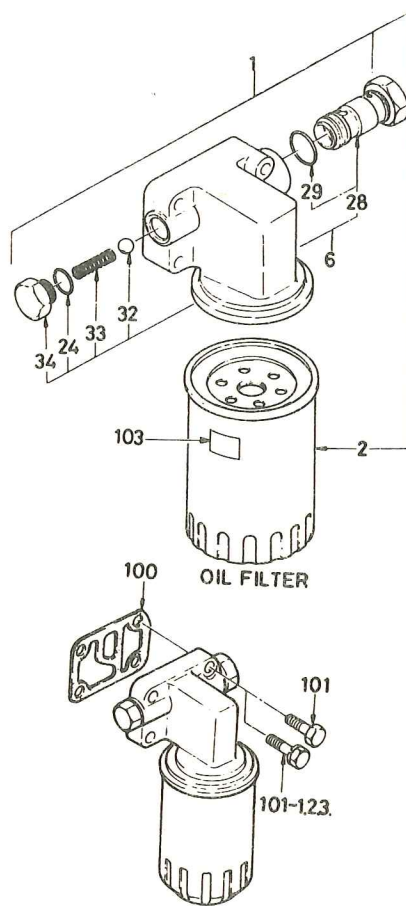
**Fig.7 VALVE MECHANISM (CAM SHAFT, IDLE GEAR, ROCKER ARM)**





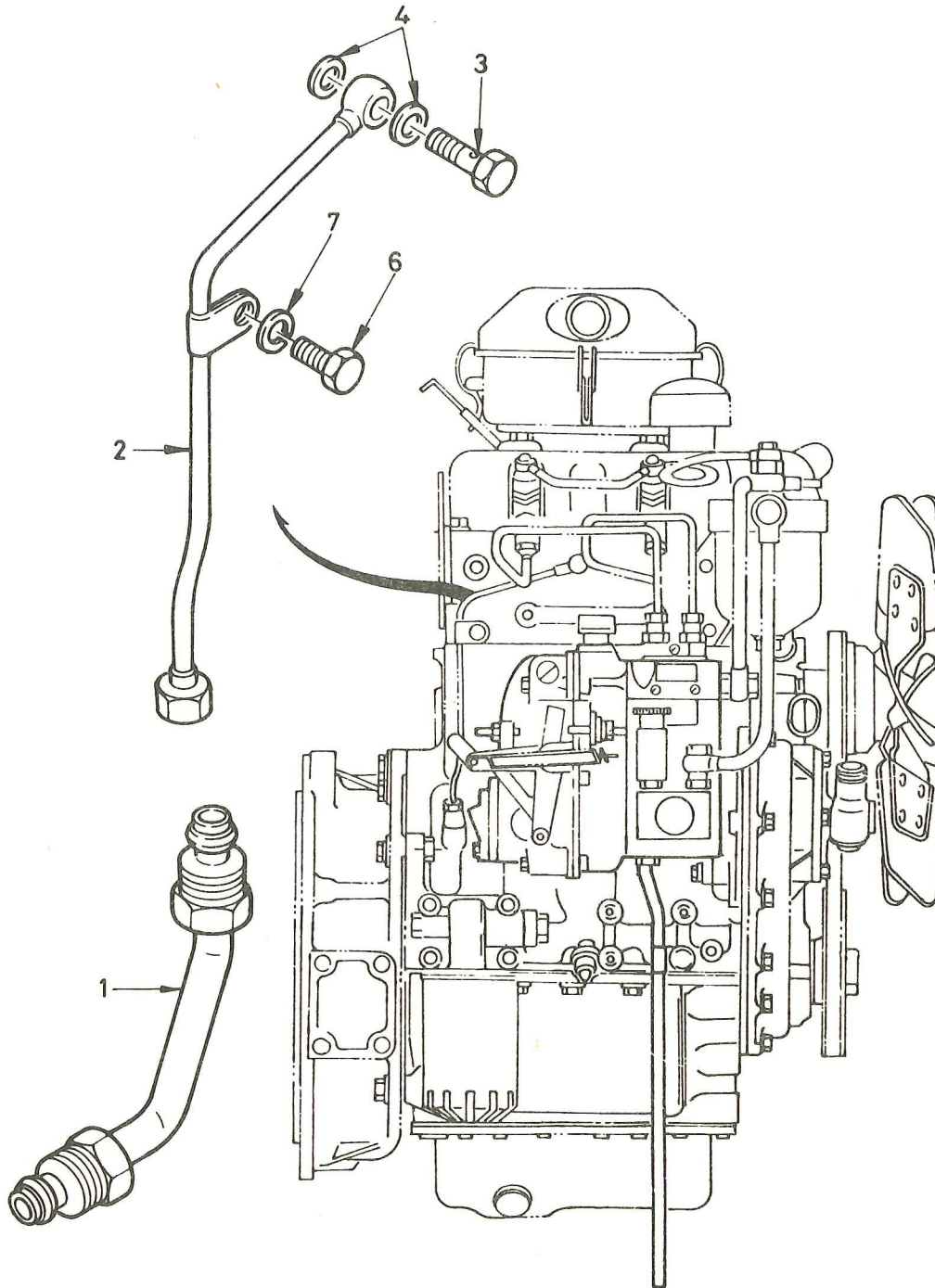
Ref No.	Parts Code	Name	Qty								Parts Code	
			TS1910				TS2220					
			G	GLF	GB	OLFB	S	SB	LF	LFB		
7- 1	1875961	CAMSHAFT	1	1	1	1	1	1	1	1	1	5681-251-1023-0
7- 6	1876172	GEAR, CAM	1	1	1	1	1	1	1	1	1	5691-252-2801-0
7- 7	1876064	KEY, FEATHER	1	1	1	1	1	1	1	1	1	5690-800-0718-0
7- 8	1875924	BOLT	1	1	1	1	1	1	1	1	1	5680-900-0069-0
7- 9	1875962	WASHER, TIMING WHEEL	1	1	1	1	1	1	1	1	1	5681-251-9002-0
7-11	1876153	PLATE, THRUST	1	1	1	1	1	1	1	1	1	5691-168-1010-0
7-12	1876037	BOLT, SEMS	2	2	2	2	2	2	2	2	2	5690-190-0816-0
7-21	1876176	SHAFT, IDLE GEAR	1	1	1	1	1	1	1	1	1	5691-253-1024-0
7-22	1876173	GEAR	1	1	1	1	1	1	1	1	1	5691-252-3080-0
7-23	1876175	BUSH, IDLE GEAR	1	1	1	1	1	1	1	1	1	5691-252-8801-0
7-24	1875965	COLLAR, THRUST	1	1	1	1	1	1	1	1	1	5681-253-5005-0
7-26	1875925	BOLT, SEMS	2	2	2	2	2	2	2	2	2	5680-900-0084-0
7-31	1876178	VALVE, INLET	2	2	2	2	2	2	2	2	2	5691-255-1802-0
7-32	1876179	VALVE, EXH	2	2	2	2	2	2	2	2	2	5691-255-2801-0
7-33	1876180	SPRING, VALVE	4	4	4	4	4	4	4	4	4	5691-256-1037-0
7-36	1876181	SEAT, SPRING ASSY	4	4	4	4	4	4	4	4	4	5691-256-3095-0
7-38	1876042	COLLAR, SPLIT	8	8	8	8	8	8	8	8	8	5681-256-5004-0
7-43	1876183	TAPPET	4	4	4	4	4	4	4	4	4	5691-257-1801-0
7-44	1876184	ROD, PUSH	4	4	4	4						5691-257-5168-0
7-44-1	1876185	ROD, PUSH					4	4	4	4		5691-257-5208-0
7-51	1876187	ARM, ROCKER C ASSY	2	2	2	2	2	2	2	2	2	5691-261-1347-0
7-51-1	1876188	ARM, ROCKER D ASSY	2	2	2	2	2	2	2	2	2	5691-261-1349-0
7-52	1876189	BUSH, ROCKER ARM C	2	2	2	2	2	2	2	2	2	5691-261-5018-0
7-52-1	1876189	BUSH, ROCKER ARM D	2	2	2	2	2	2	2	2	2	5691-261-5018-0
7-53	1876190	SCREW, ADJ	4	4	4	4	4	4	4	4	4	5691-261-6023-0
7-54	1876072	NUT	4	4	4	4	4	4	4	4	4	5690-911-1108-0
7-56	1876191	SHAFT, ROCKER ARM	1	1	1	1	1	1	1	1	1	5691-262-1126-0
7-57	1876192	PLUG	2	2	2	2	2	2	2	2	2	5691-262-6005-0
7-58	1876193	BRACKET, ROCKER SHAFT	2	2	2	2	2	2	2	2	2	5691-262-8093-0
7-59	1876121	SPRING	1	1	1	1	1	1	1	1	1	5690-994-0607-0
7-61	1876083	RING, SNAP C	2	2	2	2	2	2	2	2	2	5690-918-0019-0
7-64	1876027	BOLT	2	2	2	2	2	2	2	2	2	5690-105-0850-0
7-66	1876080	WASHER/M8	2	2	2	2	2	2	2	2	2	5690-916-4008-0
7-67	1876071	NUT, ROCKER BRACKET/M8	2	2	2	2	2	2	2	2	2	5690-911-0508-0
7-68	1876081	WASHER/M8	2	2	2	2	2	2	2	2	2	5690-916-4508-0

**Fig.8 OIL FILTER AND FUEL FILTER (FIXING PARTS)**



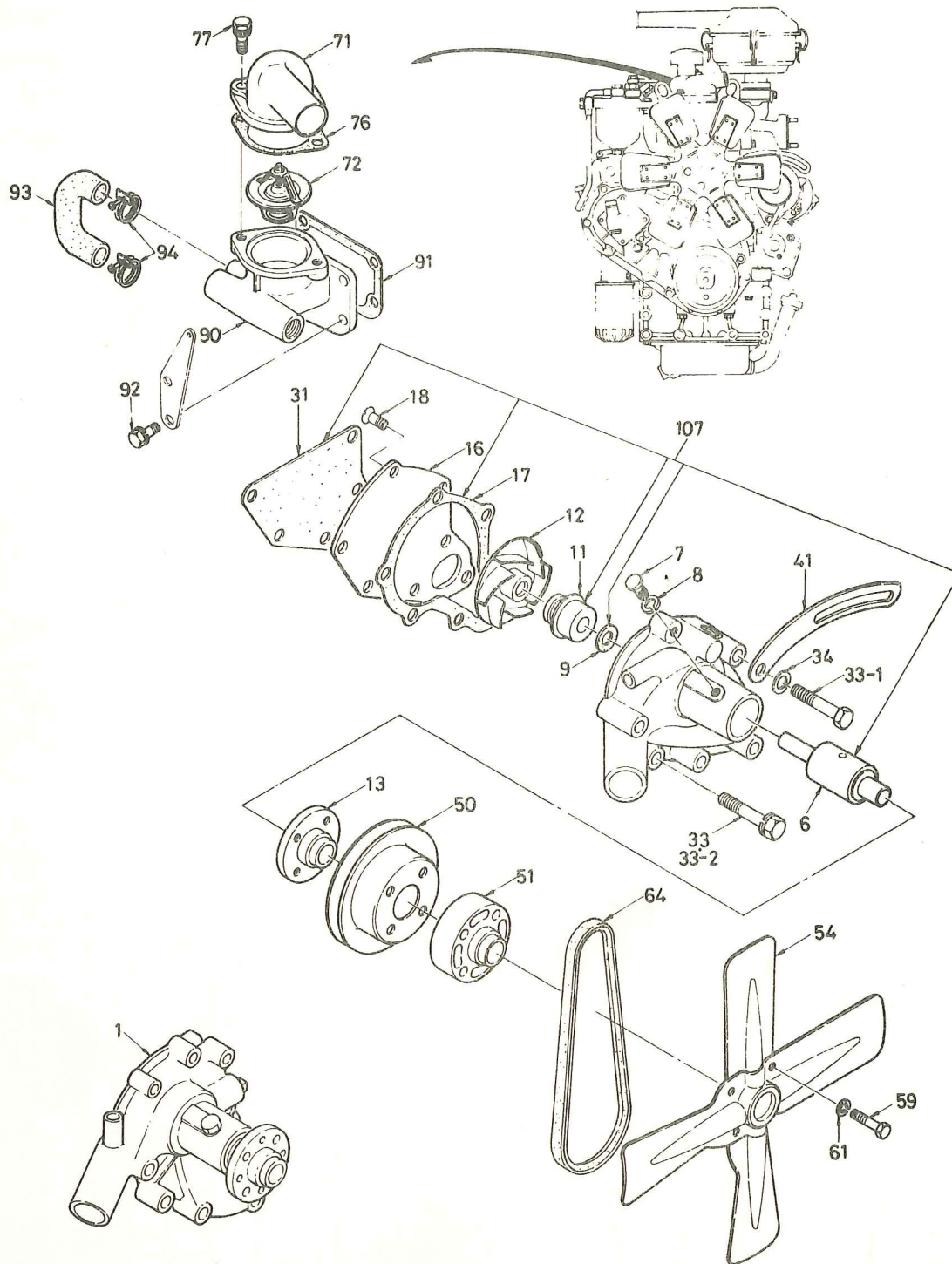
Ref No.	Parts Code	Name	Qty								Parts Code	
			TS1910				TS2220					
			G	GLF	GR	GLFB	S	SB	LF	LFB		
8- 1	1876207	FILTER, OIL ASSY	1	1	1	1	1	1	1	1	1	5691-320-1812-1
8- 2	1726450	CARTRIDGE	1	1	1	1	1	1	1	1	1	
8- 6	1876206	COVER ASSY	1	1	1	1	1	1	1	1	1	5691-316-0081-0
8- 24	1876114	PACKING, O-RING	1	1	1	1	1	1	1	1	1	5690-992-0841-0
8- 28	1876205	VALVE, RELIEF ASSY	1	1	1	1	1	1	1	1	1	5691-316-0068-0
8- 29	1876110	PACKING, O-RING	1	1	1	1	1	1	1	1	1	5690-992-0525-0
8- 32	1876024	BALL, SAFETY VALVE	1	1	1	1	1	1	1	1	1	5690-009-7011-0
8- 33	1876120	SPRING, COIL	1	1	1	1	1	1	1	1	1	5690-994-0582-0
8- 34	1876210	CAP, VALVE SPRING	1	1	1	1	1	1	1	1	1	5691-326-3011-0
8-100	1876208	PACKING						1	1	1	1	5691-321-9077-0
8-101	1876040	BOLT, SEMS	1	1	1	1						5690-190-0845-0
8-101-1	1876048	BOLT, SEMS						1	1	1	1	5690-196-0845-0
8-101-2	1876039	BOLT, SEMS	3	3	3	3						5690-190-0835-0
8-101-3	1876045	BOLT, SEMS						3	3	3	3	5690-196-0835-0
8-103	1876049	MARK, CAUTION	1	1	1	1	1	1	1	1	1	5688-588-5356-0

**Fig.9 OIL PIPE AND OTHER PARTS**



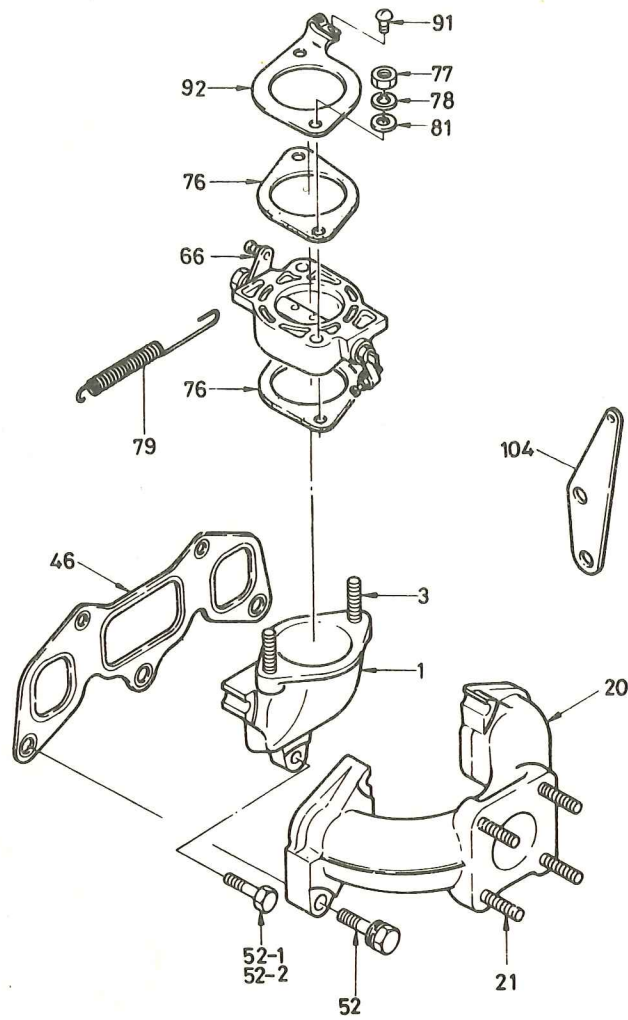
Ref No.	Parts Code	Name	Q'ty								Parts Code	
			TS1910				TS2220					
			G	GLF	GB	GLFB	S	SB	LF	LFB		
9- 1	1876211	PIPE, OIL ASSY	1	1	1	1	1	1	1	1	1	5691-331-2325-0
9- 2	1876212	PIPE, OIL ASSY	1	1	1	1						5691-331-2335-0
9- 2-1	1876213	PIPE, OIL ASSY						1	1	1	1	5691-331-2338-0
9- 3	1876109	BOLT, JOINT	1	1	1	1	1	1	1	1	1	5690-990-6105-0
9- 4	1876116	PACKING	2	2	2	2	2	2	2	2	2	5690-992-0900-0
9- 6	1876051	BOLT	1	1	1	1	1	1	1	1	1	5690-204-0814-0
9- 7	1876076	WASHER, SP	1	1	1	1	1	1	1	1	1	5690-915-0508-0

**Fig.10 COOLING SYSTEM (FAN, WATER)**



Ref No.	Parts Code	Name	Q'ty								Parts Code	
			TS1910				TS2220					
			G	GLF	GR	GLFB	S	SB	LF	LFB		
10- 1	1876055	PUMP, WATER ASSY	1	1	1	1	1	1	1	1	1	5681-361-0076-0
10- 6	1875968	BEARING UNIT	1	1	1	1	1	1	1	1	1	5681-363-1005-0
10- 7	1876101	SCREW SET	1	1	1	1	1	1	1	1	1	5690-981-4014-0
10- 8	1876076	WASHER, SP/M8	1	1	1	1	1	1	1	1	1	5690-915-0508-0
10- 9	1876220	THROWER, BEARING UNIT	1	1	1	1	1	1	1	1	1	5691-363-9001-0
10- 11	1876218	SEAL UNIT ASSY	1	1	1	1	1	1	1	1	1	5691-362-0016-0
10- 12	1876219	IMPELLER	1	1	1	1	1	1	1	1	1	5691-362-1076-0
10- 13	1876223	CENTER, FAN	1	1	1	1	1	1	1	1	1	5691-364-2080-0
10- 16	1876214	COVER, WATER PUMP BODY	1	1	1	1	1	1	1	1	1	5691-361-2053-0
10- 17	1876216	PACKING	1	1	1	1	1	1	1	1	1	5691-361-3607-0
10- 18	1876059	SCREW, SLOTTED	1	1	1	1	1	1	1	1	1	5690-304-0816-0
10- 31	1876217	PACKING	1	1	1	1	1	1	1	1	1	5691-361-4043-0
10- 33	1875927	BOLT, SEMS	1	1	1	1	1	1	1	1	1	5680-900-0089-0
10- 33-1	1876032	BOLT	1	1	1	1	1	1	1	1	1	5690-105-6055-0
10- 33-2	1875926	BOLT, SEMS	4	4	4	4	4	4	4	4	4	5680-900-0088-0
10- 34	1876077	WASHER, SP/M10	1	1	1	1	1	1	1	1	1	5690-915-0510-0
10- 41	1876056	PLATE, FAN BELT ADJ						1	1	1	1	5691-367-5212-0
10- 41-1	1875969	PLATE, FAN BELT ADJ	1	1	1	1						5681-367-4040-0
10- 50	1876222	PULLEY	1	1	1	1	1	1	1	1	1	5691-364-1609-0
10- 51	1876294	SPACER, FAN	1	1	1	1	1	1	1	1	1	5698-913-6423-0
10- 54	1876224	FAN ASSY/320D	1	1	1	1	1	1	1	1	1	5691-366-0654-0
10- 59	1876028	BOLT/M6×35	4	4	4	4						5690-105-5635-0
10- 59-1	1876058	BOLT						4	4	4	4	5690-105-0635-0
10- 61	1876075	WASHER, SP/M6	4	4	4	4	4	4	4	4	4	5690-915-0506-0
10- 64	1876226	BELT, COOLING FAN						1	1	1	1	5691-367-1809-0
10- 64-1	1876225	BELT, COOLING FAN	1	1	1	1						5691-367-1808-0
10- 71	1876065	PIPE	1	1	1	1	1	1	1	1	1	5691-371-3064-0
10- 72	1876074	THERMOSTAT	1	1	1	1	1	1	1	1	1	5681-377-0022-0
10- 76	1876092	PACKING	1	1	1	1	1	1	1	1	1	5680-963-7013-0
10- 77	1876100	BOLT, SEMS	2	2	2	2	2	2	2	2	2	5690-191-0828-0
10- 90	1876105	HOUSING, THERMOSTAT	1	1	1	1						5681-371-6028-0
10- 90-1	1876113	HOUSING, THERMOSTAT						1	1	1	1	5681-371-0179-0
10- 91	1876117	PACKING	1	1	1	1	1	1	1	1	1	5691-374-3005-0
10- 92	1876038	BOLT, SEMS	4	4	4	4	4	4	4	4	4	5690-190-0822-0
10- 93	1876133	HOSE, BY-PASS/RUBBER	1	1	1	1	1	1	1	1	1	5691-372-1132-0
10- 94	1876143	CLIP, HOSE	2	2	2	2						5690-991-5644-0
10- 94-1	1876149	CLIP, HOSE						2	2	2	2	5690-991-5642-0
10-107	*	PUMP, WATER KIT	1	1	1	1	1	1	1	1	1	

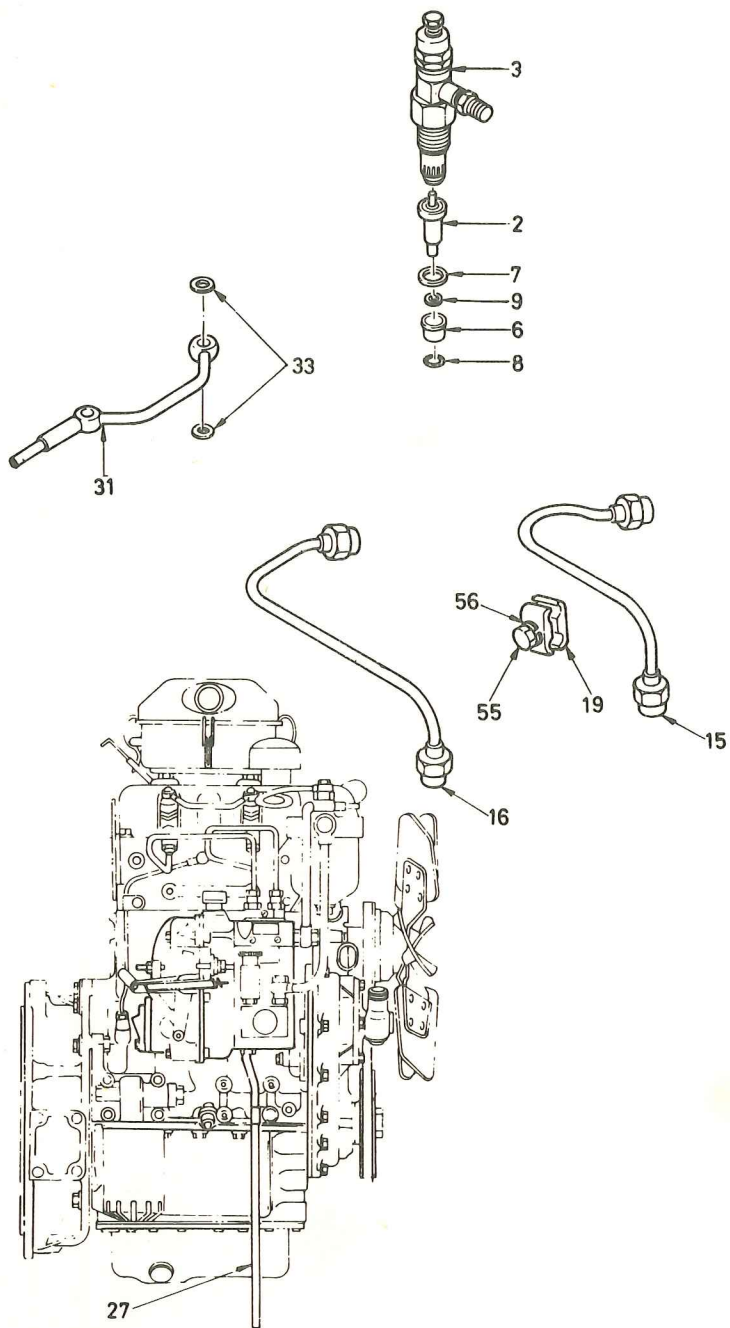
**Fig.11 AIR INTAKE AND EXHAUST SYSTEM**





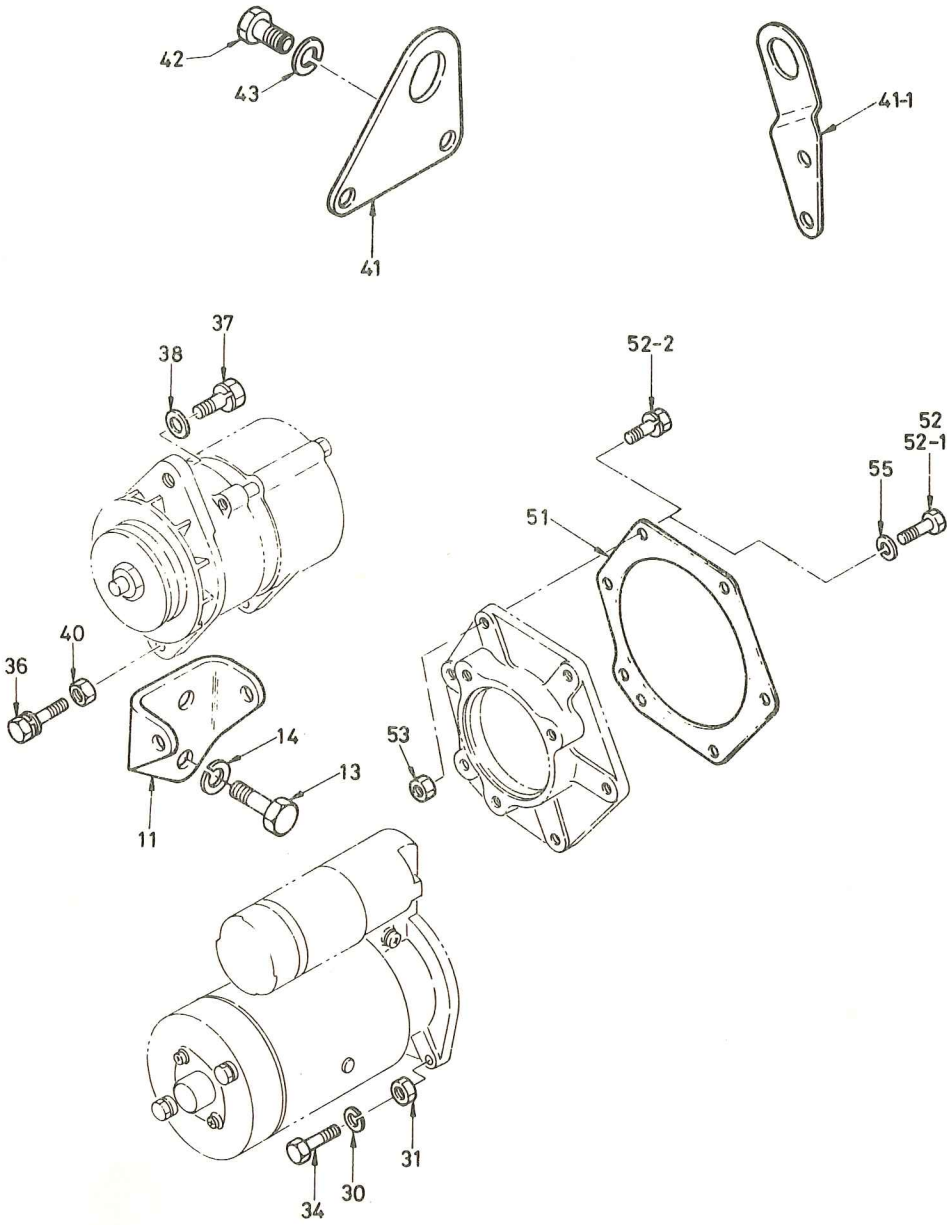
Ref No.	Parts Code	Name	Q'ty								Parts Code	
			TS1910				TS2220					
			G	GLF	GB	GLFB	S	SB	LF	LFB		
11- 1	1876228	MANIFOLD, INLET	1	1	1	1	1	1	1	1	1	5691-411-2816-0
11- 3	1876060	STUD	2	2	2	2	2	2	2	2	2	5690-410-0848-0
11- 20	1875972	MANIFOLD, EXH	1	1	1	1	1	1	1	1	1	5681-414-1035-0
11- 21	1876063	STUD	4	4	4	4	4	4	4	4	4	5690-411-0830-0
11- 46	1876229	GASKET, MANIFOLD	1	1	1	1	1	1	1	1	1	5691-414-6088-0
11- 52	1876045	BOLT, SEMS	4	4	4	4	4	4	4	4	4	5690-196-0835-0
11- 52-1	1876025	BOLT	1	1	1	1						5690-104-5830-0
11- 52-2	1876151	BOLT/M8×30						1	1	1	1	5690-196-0830-0
11- 66	1876230	SHUTTER, INTAKE ASSY	1	1	1	1	1	1	1	1	1	5691-432-0652-1
11- 76	1876159	PACKING, SHUTTER	2	2	2	2	2	2	2	2	2	5680-963-7015-0
11- 77	1876069	NUT	2	2	2	2	2	2	2	2	2	5690-911-0408-0
11- 78	1876076	WASHER, SP	2	2	2	2	2	2	2	2	2	5690-915-0508-0
11- 79	1876122	SPRING, SHUTTER RETURN	1	1	1	1	1	1	1	1	1	5690-994-2600-0
11- 81	1876081	WASHER	2	2	2	2	1	1	1	1	1	5690-916-4508-0
11- 91	1876296	SCREW	1	1	1	1	1	1	1	1	1	5699-344-0612-0
11- 92	1875973	CLIP, SHUTTER CABLE	1	1	1	1	1	1	1	1	1	5681-431-9100-0
11-104	1876231	EYE, SPRING	1	1	1	1						5691-433-4613-0
11-104-1	1876161	EYE, SPRING						1	1	1	1	5681-433-4117-0

**Fig.12 FUEL SYSTEM (INJ. NOZZLE, FUEL PIPE)**



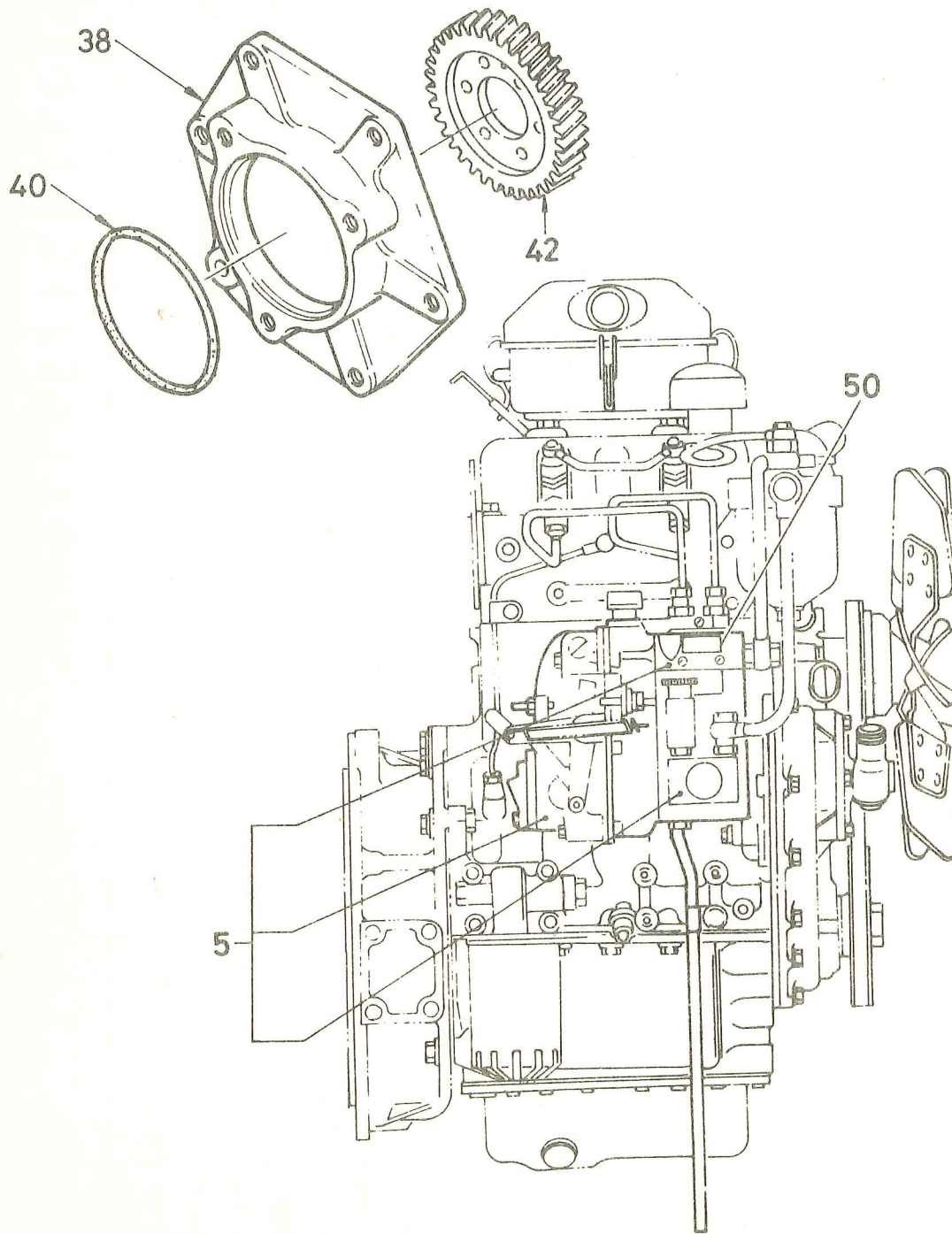
Ref No.	Parts Code	Name	Qty								Parts Code	
			TS1910				TS2220					
			G	GLF	GR	GLFB	S	SB	LF	LFB		
12- 2	1875974	NOZZLE	2	2	2	2	2	2	2	2	2	5681-531-1006-0
12- 3	1875975	HOLDER, NOZZLE	2	2	2	2	2	2	2	2	2	5681-533-0003-0
12- 6	1876162	SHIELD, HEAT	2	2	2	2	2	2	2	2	2	5691-531-5027-0
12- 7	1876232	WASHER, NOZZLE HOLDER	2	2	2	2	2	2	2	2	2	5691-531-5026-0
12- 8	1876233	WASHER, HEAT SHIELD	2	2	2	2	2	2	2	2	2	5691-531-5028-0
12- 9	1876234	WASHER, CORRUGATED	2	2	2	2	2	2	2	2	2	5691-531-5074-0
12-15	1876237	PIPE, INJ ASSY/NO. 1						1	1	1	1	5691-541-2878-0
12-15-1	1876235	PIPE, INJ ASSY/NO. 1	1	1	1	1						5691-541-2817-0
12-16	1876236	PIPE, INJ ASSY/NO. 2	1	1	1	1						5691-541-2818-0
12-16-1	1876238	PIPE, INJ ASSY/NO. 2						1	1	1	1	5691-541-2879-0
12-19	1876239	CLIP ASSY	1	1	1	1	1	1	1	1	1	5691-541-9072-0
12-27	1876095	PIPE/VINYL	1	1	1	1	1	1	1	1	1	5690-971-3057-0
12-31	1876164	PIPE, FUEL ASSY	1	1	1	1	1	1	1	1	1	5681-541-1546-0
12-33	1876089	PACKING, PIPE JOINT	4	4	4	4	4	4	4	4	4	5690-957-1408-0
12-55	1876098	SCREW, CLIP FIX	1	1	1	1	1	1	1	1	1	5690-980-2539-0
12-56	1876044	WASHER, SP/M5	1	1	1	1	1	1	1	1	1	5690-195-0505-0

**Fig.13 ENGINE FOOT, HANGER AND FIXING PARTS**



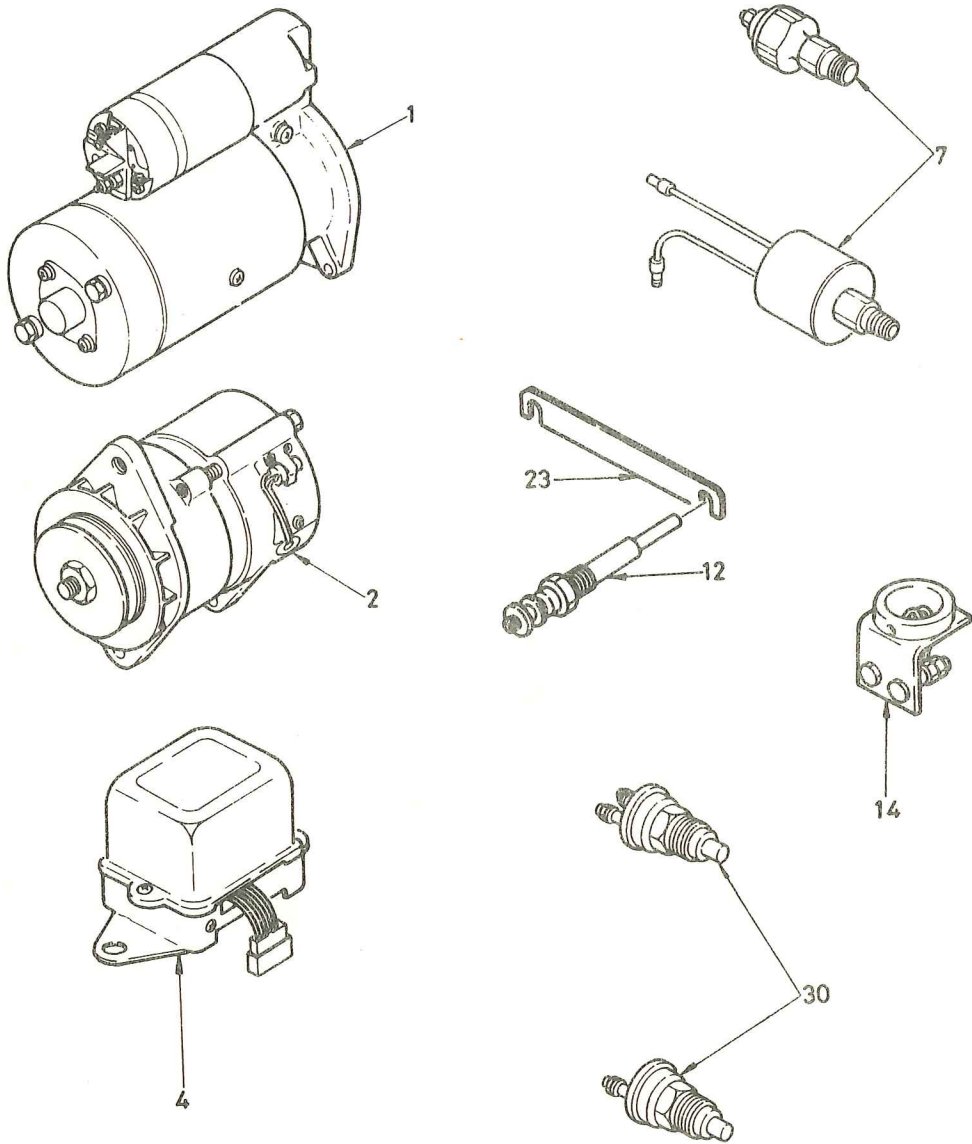
Ref No.	Parts Code	Name	Qty								Parts Code	
			TS 1910				TS 2220					
			G	GLF	GB	GLFB	S	SB	LF	LFB		
13-11	1876240	BRACKET, GENERATOR	1	1	1	1	1	1	1	1	1	5691-971-1803-0
13-13	1876295	BOLT	2	2	2	2	2	2	2	2	2	5699-205-1225-0
13-14	1876078	WASHER, SP/M12	2	2	2	2	2	2	2	2	2	5690-915-0512-0
13-30	1876078	WASHER, SP/M12	2	2	2	2						5690-915-0512-0
13-31	1876073	NUT	2	2	2	2	2	2	2	2	2	5690-912-0412-0
13-34	1876034	BOLT/M12×45	2	2	2	2	2	2	2	2	2	5690-165-6240-0
13-36	1876047	BOLT, SEMS	2	2	2	2	2	2	2	2	2	5690-197-0830-0
13-37	1876041	BOLT, SEMS	1	1	1	1	1	1	1	1	1	5690-191-0820-0
13-38	1876082	WASHER	1	1	1	1	1	1	1	1	1	5690-916-4708-0
13-40	1876071	NUT	2	2	2	2	2	2	2	2	2	5690-911-0508-0
13-41	1876160	HANGER, ENGINE F.	1	1	1	1	1	1	1	1	1	5691-177-7152-1
13-41-1	1875943	HANGER, ENGINE R.	1	1	1	1	1	1	1	1	1	5681-177-7004-0
13-42	1876052	BOLT/M8×18	2	2	2	2	2	2	2	2	2	5690-204-0818-0
13-43	1876076	WASHER, SP/M8	2	2	2	2	2	2	2	2	2	5690-915-0508-0
13-51	1875936	PACKING	1	1	1	1	1	1	1	1	1	5681-131-9056-0
13-52	1876029	BOLT	1	1	1	1	1	1	1	1	1	5690-105-5855-0
13-52-1	1876030	BOLT	1	1	1	1	1	1	1	1	1	5690-105-5870-0
13-52-2	1875928	BOLT, SEMS	3	3	3	3	3	3	3	3	3	5680-903-0015-0
13-53	1876069	NUT	1	1	1	1	1	1	1	1	1	5690-911-0408-0
13-55	1876076	WASHER, SP/M8	3	3	3	3	3	3	3	3	3	5690-915-0508-0

Fig.14 INJECTION PUMP AND OTHER PARTS



Ref No.	Parts Code	Name	Q'ty								Parts Code	
			TS 1910				TS 2220					
			G	GLF	GB	GLFB	S	SB	LF	LFB		
14- 5	1876165	PUMP, INJ ASSY Fig. 16						1	1	1	1	5681-560-0666-1
14- 5-1	1875977	PUMP, INJ ASSY Fig. 16	1	1	1	1						5681-560-0658-1
14-38	1876242	BRACKET, INJ PUMP	1	1	1	1	1	1	1	1	1	5691-975-1803-0
14-40	1876169	PACKING	1	1	1	1	1	1	1	1	1	5680-962-3019-0
14-42	1875963	GEAR, INJ PUMP/42T	1	1	1	1	1	1	1	1	1	5681-252-4038-0
14-50	1876170	MARK, CAUTION	1	1	1	1	1	1	1	1	1	5688-588-5364-0

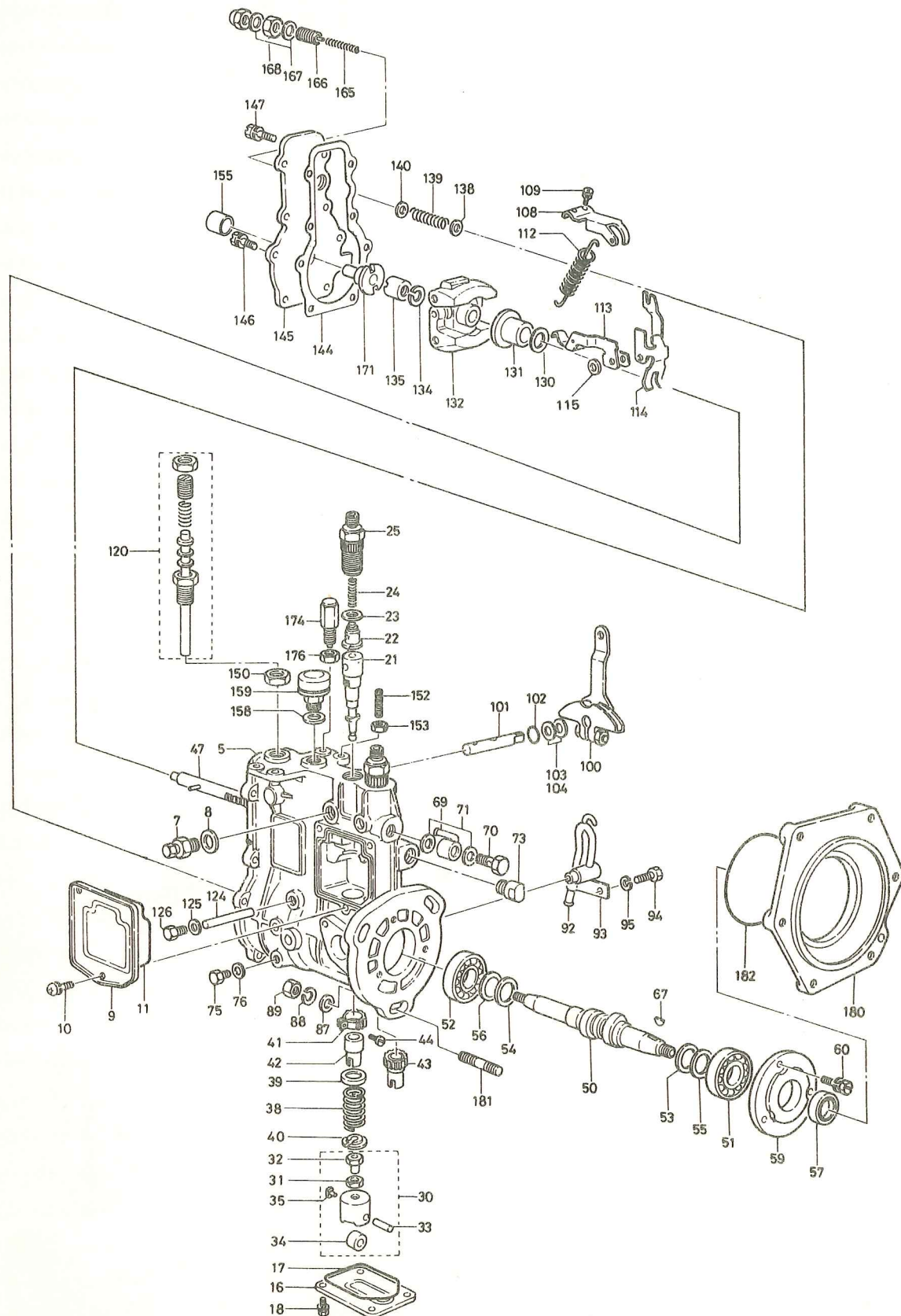
Fig.15 ELECTRICAL PARTS





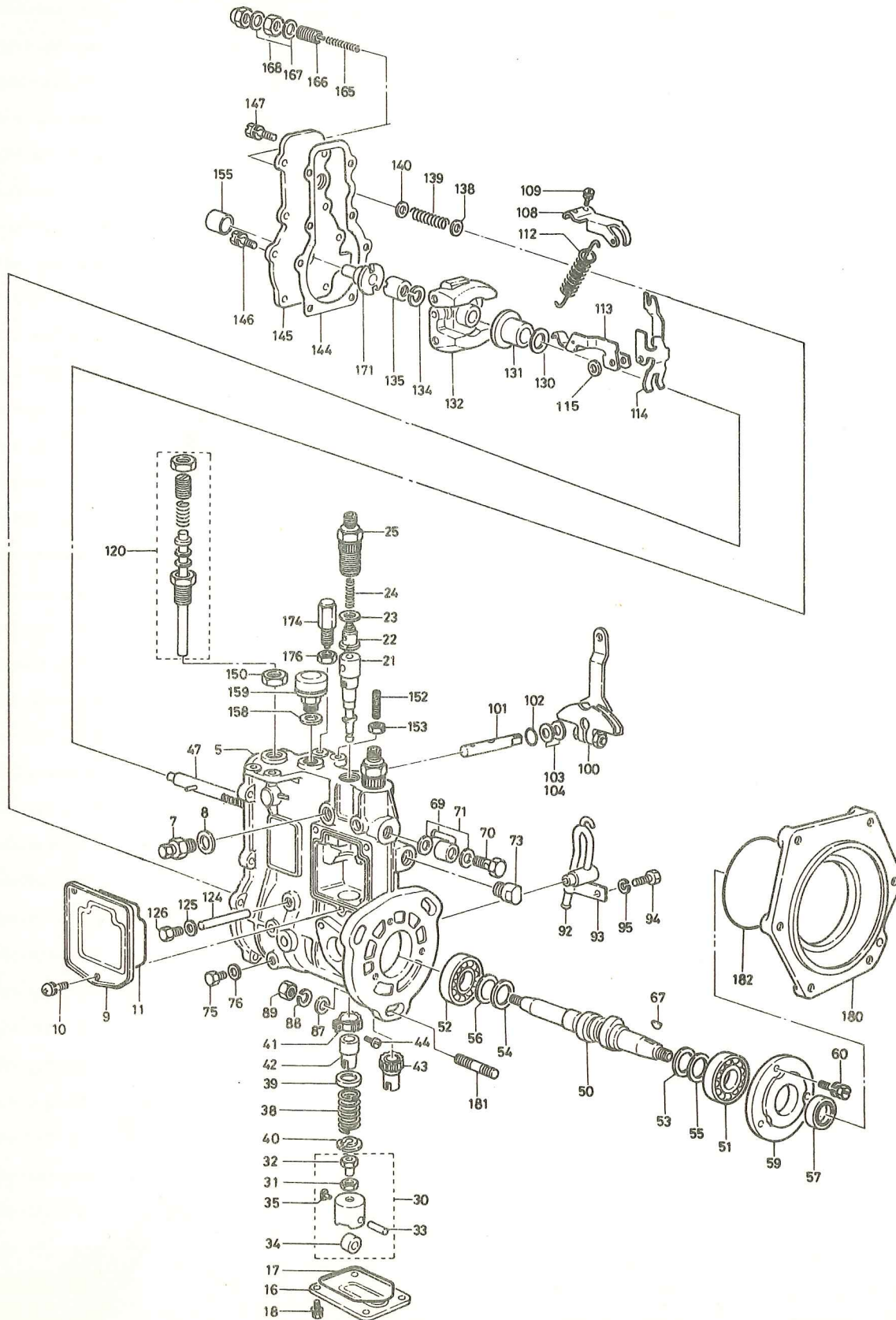
Ref No.	Parts Code	Name	Q'ty								Parts Code	
			TS1910				TS2220					
			G	GLF	GB	GLFB	S	SB	LF	LFB		
15- 1	1876255	STARTER Fig. 18						1	1	1	1	5698-210-0608-0
15- 1-1	1875990	STARTER Fig. 17	1	1	1	1						5688-110-0048-0
15- 2	1876182	GENERATOR Fig. 19	1	1	1	1						5688-120-0272-0
15- 2-1	1876186	GENERATOR Fig. 20						1	1	1	1	5688-120-0273-0
15- 4	1876277	REGULATOR	1	1	1	1						5698-225-3107-0
15- 4-1	1876195	REGULATOR						1	1	1	1	5698-225-0113-0
15- 7	1876019	SWITCH, OIL PRESS	1	1	1	1	1	1	1	1	1	5688-241-0012-1
15-12	1876278	PLUG, GLOW	2	2	2	2	2	2	2	2	2	5698-251-1978-0
15-14	1876279	RESISTANCE, CONTROL	1	1	1	1	1	1	1	1	1	5698-253-0110-0
15-23	1876241	CONNECTOR	1	1	1	1	1	1	1	1	1	5691-973-2074-0
15-30	1876198	SWITCH, THERMO	1	1	1	1	1	1	1	1	1	5688-245-0014-0

Fig.16 INJECTION PUMP; TYPE K



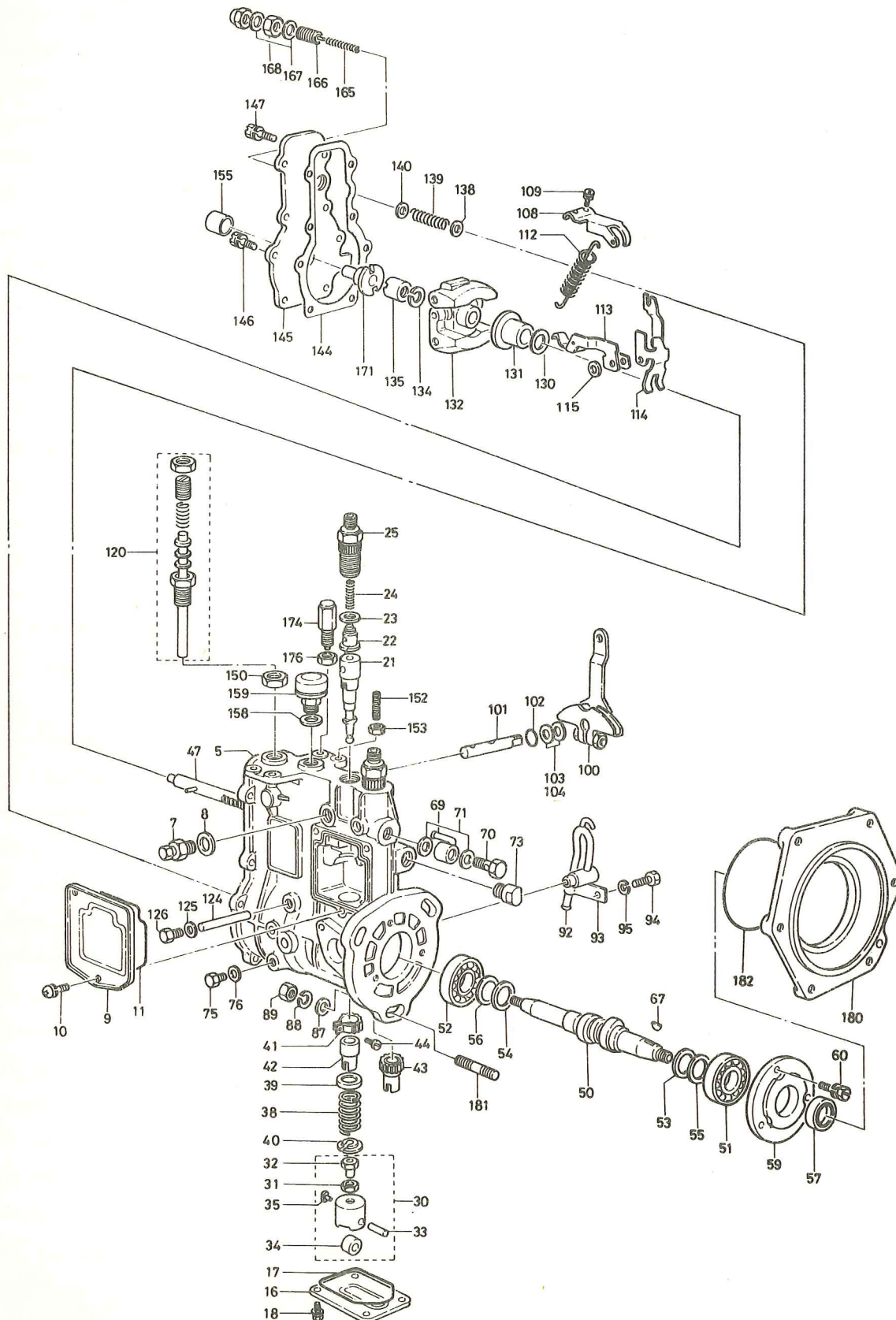
Ref No.	Parts Code	Name	Q'ty								Parts Code		
			TS 1910				TS 2220						
			G	GLF	GR	GLFB	S	SB	LF	LFB			
16- 0-1	1875977	PUMP, INJ ASSY	1	1	1	1							5681-560-0658-1
16- 0-2	1876165	PUMP, INJ ASSY						1	1	1	1		5681-560-0666-1
16- 5	1875978	HOUSING, PUMP ASSY	1	1	1	1	1	1	1	1	1		5681-561-1043-0
16- 7	1876199	BOLT	1	1	1	1	1	1	1	1	1		5681-561-9077-0
16- 8	1875921	GASKET	1	1	1	1	1	1	1	1	1		5641-563-9008-0
16- 9	1876215	COVER, HOUSING SIDE	1	1	1	1	1	1	1	1	1		5681-561-2006-0
16-10	1876221	BOLT, COVER FIX	3	3	3	3	3	3	3	3	3		5681-561-9078-0
16-11	1876227	RING, SEAL	1	1	1	1	1	1	1	1	1		5681-561-9079-0
16-16	1876243	COVER, LW	1	1	1	1	1	1	1	1	1		5681-561-2007-0
16-17	1876244	RING, SEAL	1	1	1	1	1	1	1	1	1		5681-561-9082-0
16-18	1876221	BOLT	4	4	4	4							5681-561-9078-0
16-18-1	1876245	BOLT						4	4	4	4		5681-561-9083-0
16-21	1876246	PLUNGER ASSY	2	2	2	2	2	2	2	2	2		5681-563-2004-0
16-22	1876247	VALVE, DEL	2	2	2	2	2	2	2	2	2		5681-564-1007-0
16-23	1876248	GASKET, DEL VALVE	2	2	2	2	2	2	2	2	2		5681-563-9003-0
16-24	1876249	SPRING, DEL VALVE	2	2	2	2	2	2	2	2	2		5681-563-4004-0
16-25	1876250	HOLDER, DEL VALVE	2	2	2	2	2	2	2	2	2		5681-564-4011-0
16-30	*	TAPPET ASSY	2	2	2	2	2	2	2	2	2		
16-31	1876253	NUT, TAPPET	2	2	2	2	2	2	2	2	2		5681-562-9006-0
16-32	1875984	BOLT, TAPPET	2	2	2	2	2	2	2	2	2		5681-562-9007-0
16-33	1876254	PIN, TAPPET	2	2	2	2	2	2	2	2	2		5681-562-9008-0
16-34	1876280	ROLLER, TAPPET	2	2	2	2	2	2	2	2	2		5681-562-9009-0
16-35	1876281	GUIDE, TAPPET	2	2	2	2	2	2	2	2	2		5681-562-9010-0
16-38	1876282	SPRING, PLUNGER	2	2	2	2	2	2	2	2	2		5681-563-4005-0
16-39	1876283	SEAT, SPRING	2	2	2	2	2	2	2	2	2		5681-563-9004-0
16-40	1876284	SEAT, SPRING	2	2	2	2	2	2	2	2	2		5681-563-9005-0
16-41	1876285	PINION, CONTROL SLEEVE	1	1	1	1							5681-563-9001-0
16-42	1876286	SLEEVE, CONTROL	1	1	1	1	1	1	1	1	1		5681-563-5001-0
16-43	1876287	SLEEVE, CONTROL	1	1	1	1	1	1	1	1	1		5681-563-5002-0
16-44	1876288	SCREW, PINION	1	1	1	1	1	1	1	1	1		5681-563-9007-0
16-47	1876289	RACK, CONTROL	1	1	1	1	1	1	1	1	1		5681-563-7006-0
16-50	1875983	CAMSHAFT	1	1	1	1	1	1	1	1	1		5681-562-1014-0
16-51	1876290	BEARING	1	1	1	1	1	1	1	1	1		5681-562-9012-0
16-52	1876291	BEARING	1	1	1	1	1	1	1	1	1		5681-562-9011-0
16-53	1876297	RING, F. CAMSHAFT						1	1	1	1		5681-562-9014-0
16-53-1	1876356	RING, F. CAMSHAFT	1	1	1	1							5681-562-9022-0
16-54	1876358	RING, R. CAMSHAFT	1	1	1	1	1	1	1	1	1		5681-562-9013-0
16-55	1876359	SHIM, F. CAM/0.10	AR	AR	AR	AR	AR	AR	AR	AR	AR		5681-562-9015-0

Fig.16 INJECTION PUMP; TYPE K



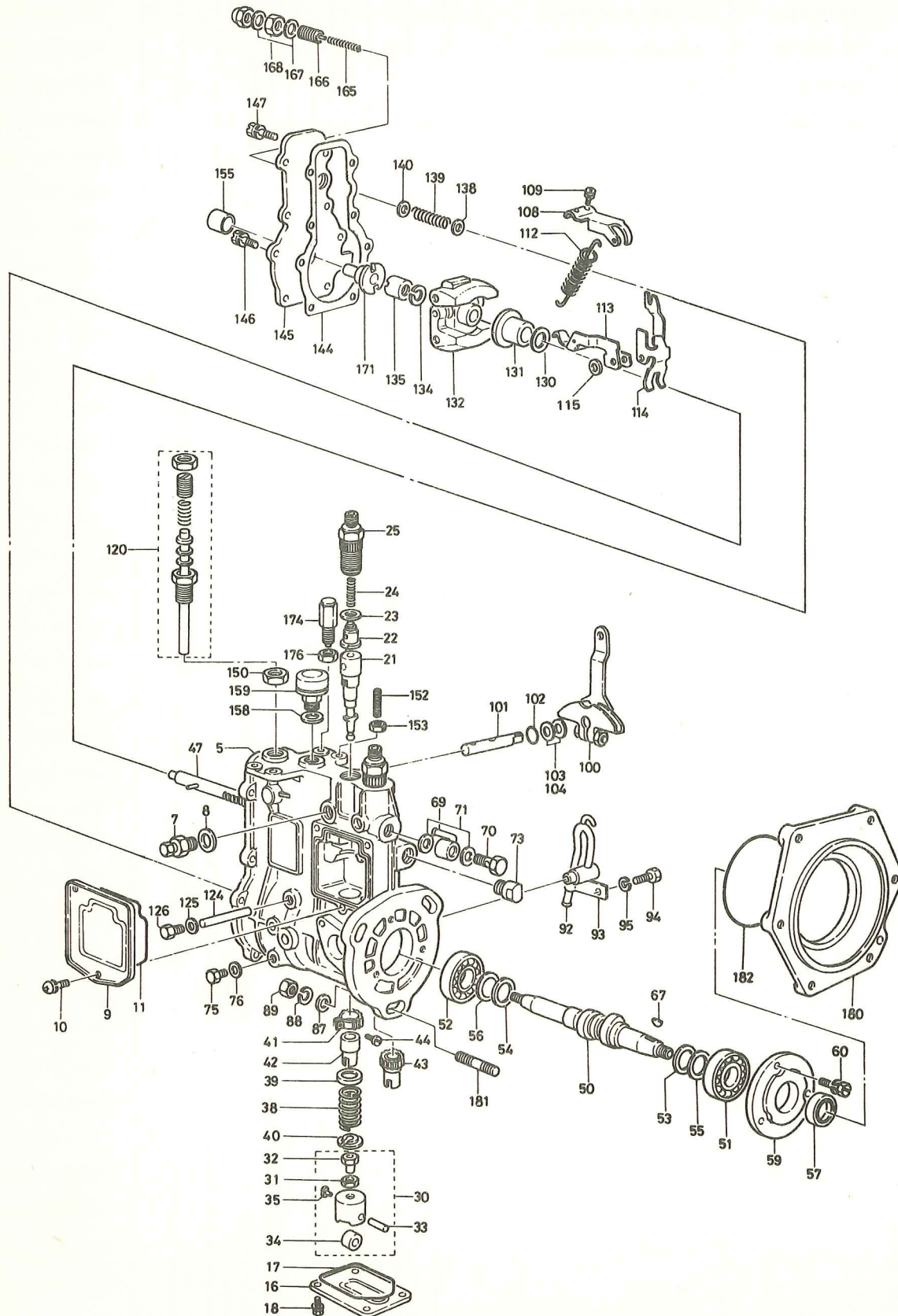
Ref No.	Parts Code	Name	Q'ty								Parts Code
			TS 1 9 1 0				TS 2 2 2 0				
			G	GLF	GB	GLFB	S	SB	LF	LFB	
16- 55-1	1876360	SHIM, F. CAM/0.12	AR	AR	AR	AR	AR	AR	AR	AR	5681-562-9016-0
16- 55-2	1876361	SHIM, F. CAM/0.14	AR	AR	AR	AR	AR	AR	AR	AR	5681-562-9017-0
16- 55-3	1876362	SHIM, F. CAM/0.16	AR	AR	AR	AR	AR	AR	AR	AR	5681-562-9018-0
16- 55-4	1876363	SHIM, F. CAM/0.18	AR	AR	AR	AR	AR	AR	AR	AR	5681-562-9019-0
16- 55-5	1876364	SHIM, F. CAM/0.50	AR	AR	AR	AR	AR	AR	AR	AR	5681-562-9020-0
16- 55-6	1876365	SHIM, F. CAM/0.30	AR	AR	AR	AR	AR	AR	AR	AR	5681-562-9021-0
16- 55-7	1876366	SHIM, F. CAM/1.00	AR	AR	AR	AR	AR	AR	AR	AR	5681-561-9038-0
16- 55-8	1876367	SHIM, F. CAM/1.70	AR	AR	AR	AR	AR	AR	AR	AR	5681-561-9039-0
16- 56		KEY	AR	AR	AR	AR	AR	AR	AR	AR	
16- 57	1876368	SEAL, OIL	1	1	1	1	1	1	1	1	5680-962-5046-0
16- 59	1875979	COVER, F. HOUSING	1	1	1	1	1	1	1	1	5681-561-2005-0
16- 60	1876036	BOLT	3	3	3	3	3	3	3	3	5690-190-0614-0
16- 67	1876369	KEY, WOODRUFF	1	1	1	1	1	1	1	1	5681-561-9029-0
16- 69	1875982	EYE	1	1	1	1	1	1	1	1	5681-561-9089-0
16- 70	1876370	BOLT, EYE	1	1	1	1	1	1	1	1	5681-561-9084-0
16- 71	1876371	GASKET, EYE BOLT	2	2	2	2	2	2	2	2	5681-561-9085-0
16- 73	1876372	CAP	1	1	1	1	1	1	1	1	5681-561-9086-0
16- 75	1876373	PLUG, SCREW	2	2	2	2	2	2	2	2	5681-572-9098-0
16- 76	1876251	GASKET	2	2	2	2	2	2	2	2	5698-131-5062-0
16- 87	1876079	WASHER	3	3	3	3	3	3	3	3	5690-916-0608-0
16- 88	1876374	WASHER, SP	3	3	3	3	3	3	3	3	5681-561-9062-0
16- 89	1876069	NUT	3	3	3	3	3	3	3	3	5690-911-0408-0
16- 92	1876375	PIPE	1	1	1	1	1	1	1	1	5681-561-9087-0
16- 93	1875981	CLIP, PIPE	1	1	1	1	1	1	1	1	5681-561-9063-0
16- 94	1876376	BOLT	1	1	1	1	1	1	1	1	5681-561-9088-0
16- 95	1876075	WASHER, SP	1	1	1	1	1	1	1	1	5690-915-0506-0
16-100	1875986	LEVER	1	1	1	1	1	1	1	1	5681-572-5051-0
16-101	1876377	SHAFT	1	1	1	1	1	1	1	1	5681-572-9125-0
16-102	1876378	O-RING	1	1	1	1	1	1	1	1	5681-572-9126-0
16-103	1876379	SHIM, SHAFT/0.50	AR	AR	AR	AR	AR	AR	AR	AR	5681-572-9127-0
16-104	1876380	SHIM, SHAFT/0.30	AR	AR	AR	AR	AR	AR	AR	AR	5681-572-9128-0
16-108	1876381	LEVER, SWIVEL	1	1	1	1	1	1	1	1	5681-572-5052-0
16-109	1876382	SCREW					2	2	2	2	5698-841-0406-0
16-109-1	1876221	SCREW	2	2	2	2	2	2	2	2	5681-561-9078-0
16-112	1876383	SPRING, GOVERNOR	1	1	1	1	1	1	1	1	5681-572-3084-0
16-113	1876384	LEVER, TENSION	1	1	1	1	1	1	1	1	5681-572-5053-0
16-114	1876385	LEVER, GUIDE	1	1	1	1	1	1	1	1	5681-572-5054-0
16-115	1876386	SPACER	1	1	1	1	1	1	1	1	5681-572-9129-0

**Fig.16 INJECTION PUMP; TYPE K**



Ref No.	Parts Code	Name	Q'ty								Parts Code	
			TS 1 9 1 0				TS 2 2 2 0					
			G	GLF	GB	GLFB	S	SB	LF	LFB		
16-120	1876387	CAPSULE, SPRING						1	1	1	1	5681-572-9163-0
16-120-1	1876388	CAPSULE, SPRING	1	1	1	1						5681-572-9166-0
16-124	1876389	SHAFT	1	1	1	1	1	1	1	1	1	5681-572-9130-0
16-125	1876390	GASKET	2	2	2	2	2	2	2	2	2	5681-572-9131-0
16-126	1876391	PLUG	2	2	2	2	2	2	2	2	2	5681-572-9132-0
16-130	1876392	SHIM, FLYWEIGHT	AR	AR	AR	AR	AR	AR	AR	AR	AR	5681-572-9134-0
16-130-1	1876393	SHIM, FLYWEIGHT	AR	AR	AR	AR	AR	AR	AR	AR	AR	5681-572-9135-0
16-130-2	1876394	SHIM, FLYWEIGHT/0.50	AR	AR	AR	AR	AR	AR	AR	AR	AR	5681-572-9136-0
16-130-3	1876395	SHIM, FLYWEIGHT	AR	AR	AR	AR	AR	AR	AR	AR	AR	5681-572-9137-0
16-130-4	1876396	SHIM, FLYWEIGHT/0.60	AR	AR	AR	AR	AR	AR	AR	AR	AR	5681-572-9138-0
16-130-5	1876397	SHIM, FLYWEIGHT/0.70	AR	AR	AR	AR	AR	AR	AR	AR	AR	5681-572-9139-0
16-130-6	1876398	SHIM, FLYWEIGHT	AR	AR	AR	AR	AR	AR	AR	AR	AR	5681-572-9140-0
16-130-7	1876399	SHIM, FLYWEIGHT/0.90	AR	AR	AR	AR	AR	AR	AR	AR	AR	5681-572-9141-0
16-131	1876400	SLEEVE, FLYWEIGHT	1	1	1	1	1	1	1	1	1	5681-572-9142-0
16-132	1876401	FLYWEIGHT ASSY	1	1	1	1	1	1	1	1	1	5681-572-2006-0
16-134	1876076	WASHER, SP	1	1	1	1	1	1	1	1	1	5690-915-0508-0
16-135	1876402	NUT, FLYWEIGHT	1	1	1	1	1	1	1	1	1	5681-572-9143-0
16-138	1876403	SEAT, SPRING	1	1	1	1	1	1	1	1	1	5681-572-9144-0
16-139	1876404	SPRING, CONTROL RACK						1	1	1	1	5681-572-3085-0
16-140	1876405	SHIM, CONTROL RACK/0.20	AR	AR	AR	AR	AR	AR	AR	AR	AR	5681-572-9146-0
16-140-1	1876406	SHIM, CONTROL RACK/0.30	AR	AR	AR	AR	AR	AR	AR	AR	AR	5681-572-9147-0
16-140-2	1876407	SHIM, CONTROL RACK/0.50	AR	AR	AR	AR	AR	AR	AR	AR	AR	5681-572-9148-0
16-140-3	1876408	SHIM, CONTROL RACK/1.00	AR	AR	AR	AR	AR	AR	AR	AR	AR	5681-572-9149-0
16-144	1876409	GASKET	1	1	1	1	1	1	1	1	1	5681-572-9150-0
16-145	1876410	COVER, R.	1	1	1	1	1	1	1	1	1	5681-572-1028-0
16-146	1876411	BOLT	7	7	7	7	7	7	7	7	7	5681-572-9058-0
16-147	1876412	BOLT	1	1	1	1	1	1	1	1	1	5681-561-9067-0
16-150	1876413	NUT	1	1	1	1	1	1	1	1	1	5681-572-9151-0
16-152	1876414	SCREW	1	1	1	1	1	1	1	1	1	5681-572-9152-0
16-153	1876415	NUT	1	1	1	1	1	1	1	1	1	5681-572-9153-0
16-155	1876416	CAP, R.COVER	1	1	1	1	1	1	1	1	1	5681-572-9161-0
16-158	1875921	GASKET	1	1	1	1	1	1	1	1	1	5641-563-9008-0
16-159	1876417	BREATHING, AIR	1	1	1	1	1	1	1	1	1	5698-131-5214-0
16-165	1876418	SPRING	1	1	1	1	1	1	1	1	1	5681-561-9068-0
16-166	1876419	SCREW	1	1	1	1	1	1	1	1	1	5681-561-9069-0
16-167	1876420	GASKET	2	2	2	2	2	2	2	2	2	5681-572-9154-0
16-168	1876421	NUT	1	1	1	1	1	1	1	1	1	5681-572-9155-0
16-171	1876422	ADAPTER	1	1	1	1						5681-572-9109-0

**Fig.16 INJECTION PUMP; TYPE K**



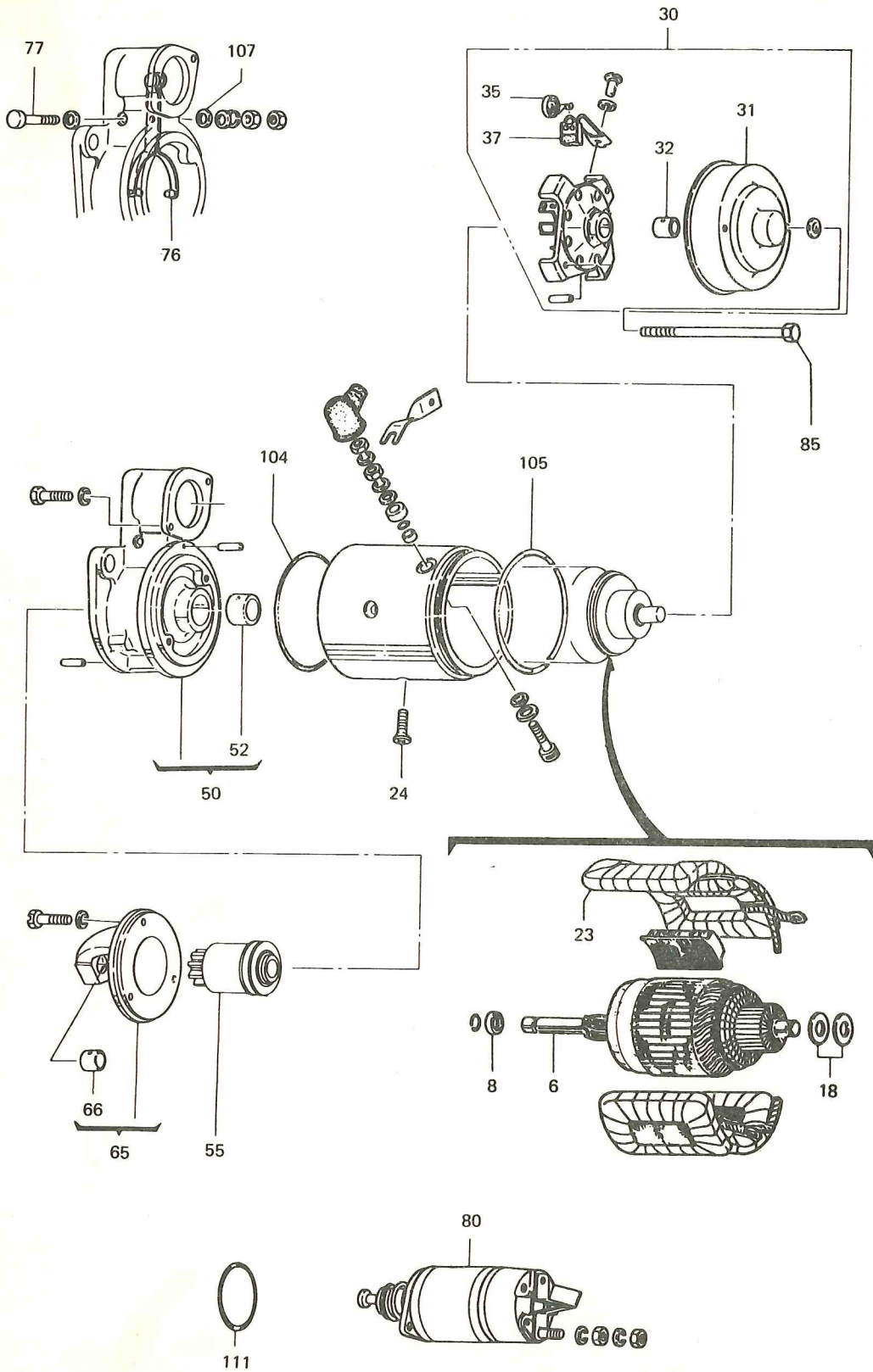


Ref No.	Parts Code	Name	Q'ty								Parts Code	
			TS1910				TS2220					
			G	GLF	GB	GLFB	S	SB	LF	LFB		
16-171-1	1876423	ADAPTER	1	1	1	1	1	1	1	1	1	5681-572-9162-0
16-174	1876424	CAPSULE, SPRING	1	1	1	1	1	1	1	1	1	5681-572-9157-0
16-176	1876425	NUT	1	1	1	1	1	1	1	1	1	5681-572-9158-0
16-180	1875989	BRACKET	1	1	1	1	1	1	1	1	1	5681-975-1028-0
16-181	1876426	STUD	3	3	3	3	3	3	3	3	3	5680-930-0045-0
16-182	1876427	PACKING, O-RING	1	1	1	1	1	1	1	1	1	5681-561-9061-0



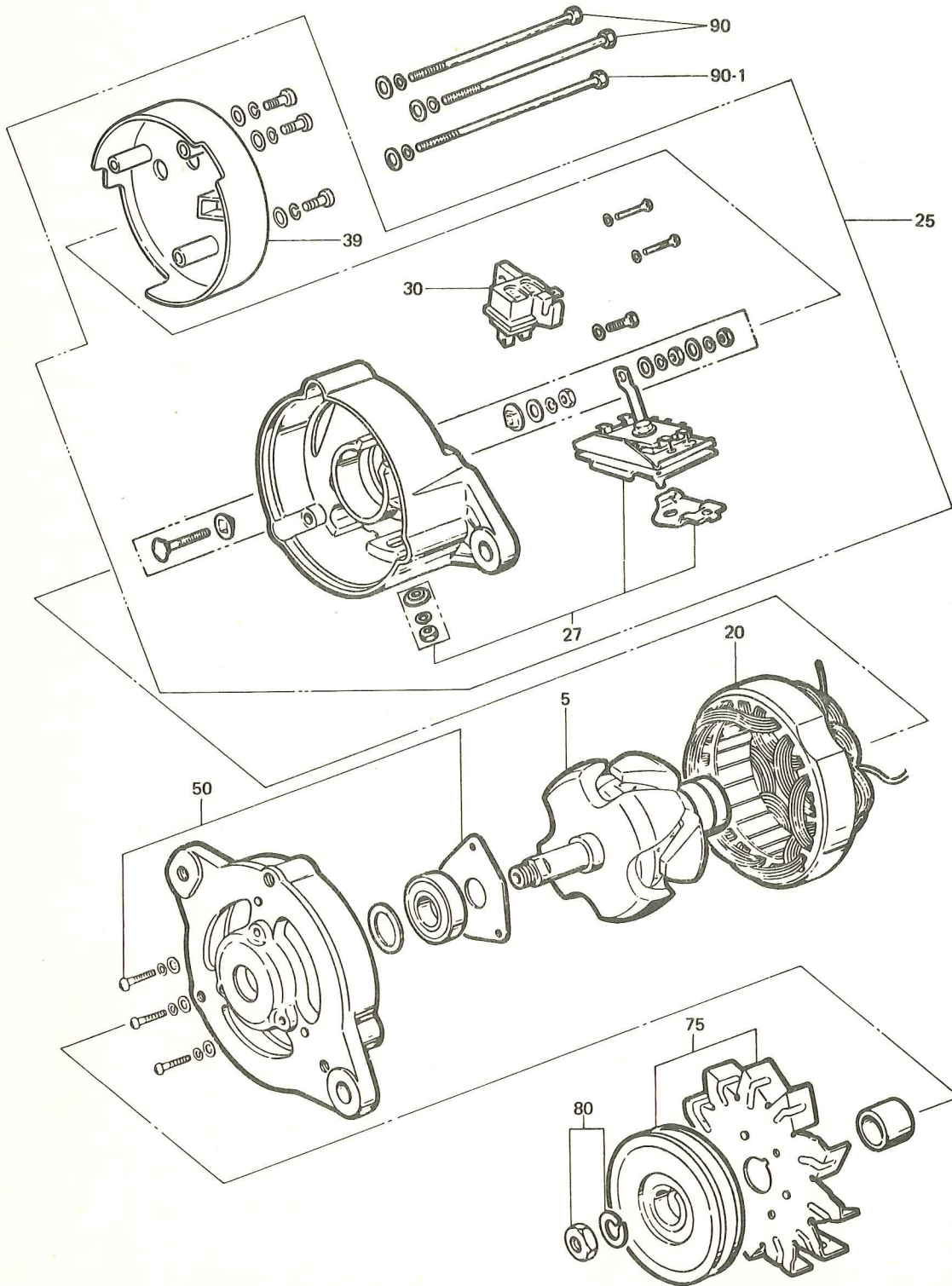
Ref No.	Parts Code	Name	Q'ty								Parts Code
			TS1910				TS2220				
			G	GLF	GR	GLFB	S	SB	LF	LFB	
17- 0-1	1875990	STARTER/12V-1.2KW	1	1	1	1					5688-110-0048-0
17- 6	1876000	ARMATURE	1	1	1	1					5688-112-1011-0
17- 7	1876008	STOPPER, PINION	1	1	1	1					5688-112-9057-0
17-14	1876007	WASHER, THRUST	1	1	1	1					5688-112-9056-0
17-22	1875991	COIL, FIELD	1	1	1	1					5688-111-2008-0
17-25	1875996	BRUSH	2	2	2	2					5688-111-6008-0
17-30	1875995	COVER, R.ASSY	1	1	1	1					5688-111-5010-0
17-33	1875999	HOLDER, BRUSH ASSY	1	1	1	1					5688-111-8007-0
17-35	1875998	SPRING, BRUSH	4	4	4	4					5688-111-7001-0
17-37	1875997	BRUSH	2	2	2	2					5688-111-6009-0
17-50	1875993	BRACKET, CENTER ASSY	1	1	1	1					5688-111-4009-0
17-52	1875994	METAL, CENTER	1	1	1	1					5688-111-4010-0
17-55	1876001	CLUTCH, PINION ASSY	1	1	1	1					5688-112-3006-0
17-65	1875992	CASE, GEAR ASSY	1	1	1	1					5688-111-3013-0
17-75	1876002	LEVER, SHIFT ASSY	1	1	1	1					5688-112-7011-0
17-85	1876009	BOLT, THROUGH	2	2	2	2					5688-112-9058-0
17-86	1876441	SWITCH	1	1	1	1					5688-115-1028-0

Fig.18 STARTER (TS2220)



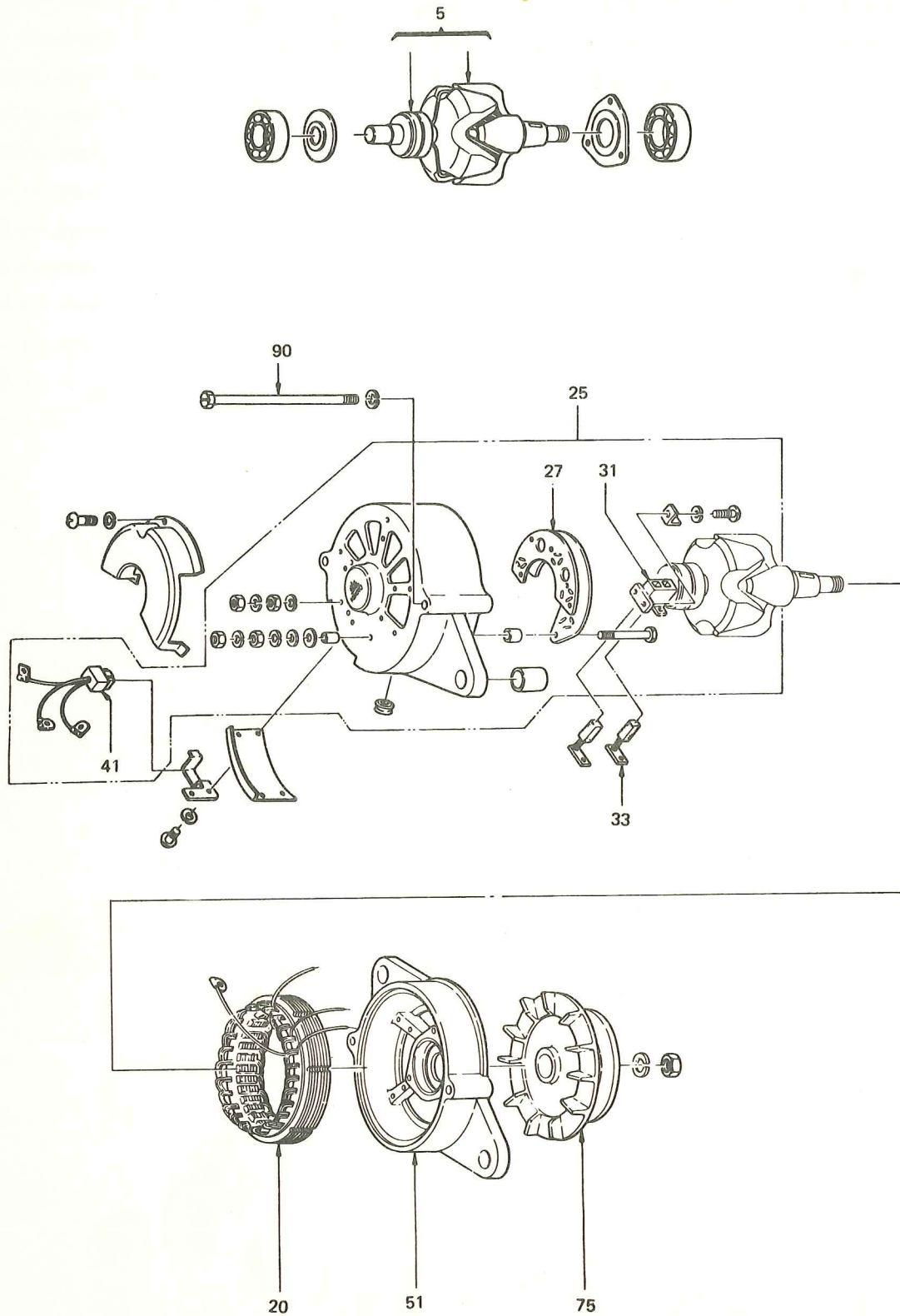
Ref No.	Parts Code	Name	Q'ty								Parts Code
			TS1910				TS2220				
			G	GLF	GB	GLFB	S	SB	LF	LFB	
18- 0-1	1876255	STARTER/12V-1.8KW					1	1	1	1	5698-210-0608-0
18- 6	1876264	ARMATURE					1	1	1	1	5698-212-3104-0
18- 8	1876268	STOPPER, PINION					1	1	1	1	5698-212-5190-0
18- 18	1876267	WASHER, ADJUST					2	2	2	2	5698-212-5046-0
18- 23	1876256	COIL, FIELD					1	1	1	1	5698-211-1298-0
18- 24	1876006	SCREW					4	4	4	4	5688-112-9024-0
18- 30	1876260	COVER, R,ASSY					1	1	1	1	5698-211-3402-0
18- 31	1876428	COVER, R.					1	1	1	1	5698-211-3901-0
18- 32	1876262	METAL, R.					1	1	1	1	5698-211-5433-0
18- 35	1876259	SPRING, BRUSH					4	4	4	4	5698-211-1731-0
18- 37	1876258	BRUSH					4	4	4	4	5698-211-1654-0
18- 50	1876269	BRACKET, CENTER ASSY					1	1	1	1	5698-212-6107-0
18- 52	1876270	METAL, CENTER					1	1	1	1	5698-212-6108-0
18- 55	1876265	CLUTCH, PINION ASSY					1	1	1	1	5698-212-3203-0
18- 65	1876257	CASE, GEAR ASSY					1	1	1	1	5698-211-1384-0
18- 66	1876262	METAL, CENTER					1	1	1	1	5698-211-5433-0
18- 76	1876266	LEVER, SHIFT					1	1	1	1	5698-212-3705-0
18- 77	1876003	PIN					1	1	1	1	5688-112-9021-0
18- 80	1876271	SWITCH, MAGNETIC ASSY					1	1	1	1	5698-215-0503-0
18- 85	1876263	BOLT, THROUGH					2	2	2	2	5698-211-6120-0
18-104	1876272	PACKING					1	1	1	1	5698-215-5307-0
18-105	1876261	O-RING					1	1	1	1	5698-211-5362-0
18-107	1876004	PACKING					4	4	4	4	5688-112-9022-0
18-111	1876005	O-RING					1	1	1	1	5688-112-9023-0

Fig.19 GENERATOR (TS1910)



Ref No.	Parts Code	Name	Q'ty								Parts Code
			TS1910				TS2220				
			G	GLF	GB	GLFB	S	SB	LF	LFB	
19- 0-1	1876182	GENERATOR/12V-20A	1	1	1	1					5688-120-0272-0
19- 5	1876016	ROTOR ASSY	1	1	1	1					5688-122-1030-0
19-20	1876011	STATOR ASSY	1	1	1	1					5688-121-1024-0
19-25	1876013	COVER, R.ASSY	1	1	1	1					5688-121-4033-0
19-27	1876274	RECTIFIRE ASSY	1	1	1	1					5698-223-1619-0
19-30	1876014	HOLDER, BRUSH ASSY	1	1	1	1					5688-121-5008-0
19-39	1876015	COVER, RECTIFIRE	1	1	1	1					5688-121-8009-0
19-50	1876273	COVER, F.ASSY	1	1	1	1					5698-223-1308-0
19-75	1876017	PULLEY ASSY	1	1	1	1					5688-122-2032-0
19-80	1876276	NUT, PULLEY	1	1	1	1					5698-223-5074-0
19-90	1876275	BOLT, THROUGH	2	2	2	2					5698-223-5072-0
19-90-1	1876018	BOLT, THROUGH	1	1	1	1					5688-122-9042-0

**Fig.20 GENERATOR (TS2220)**



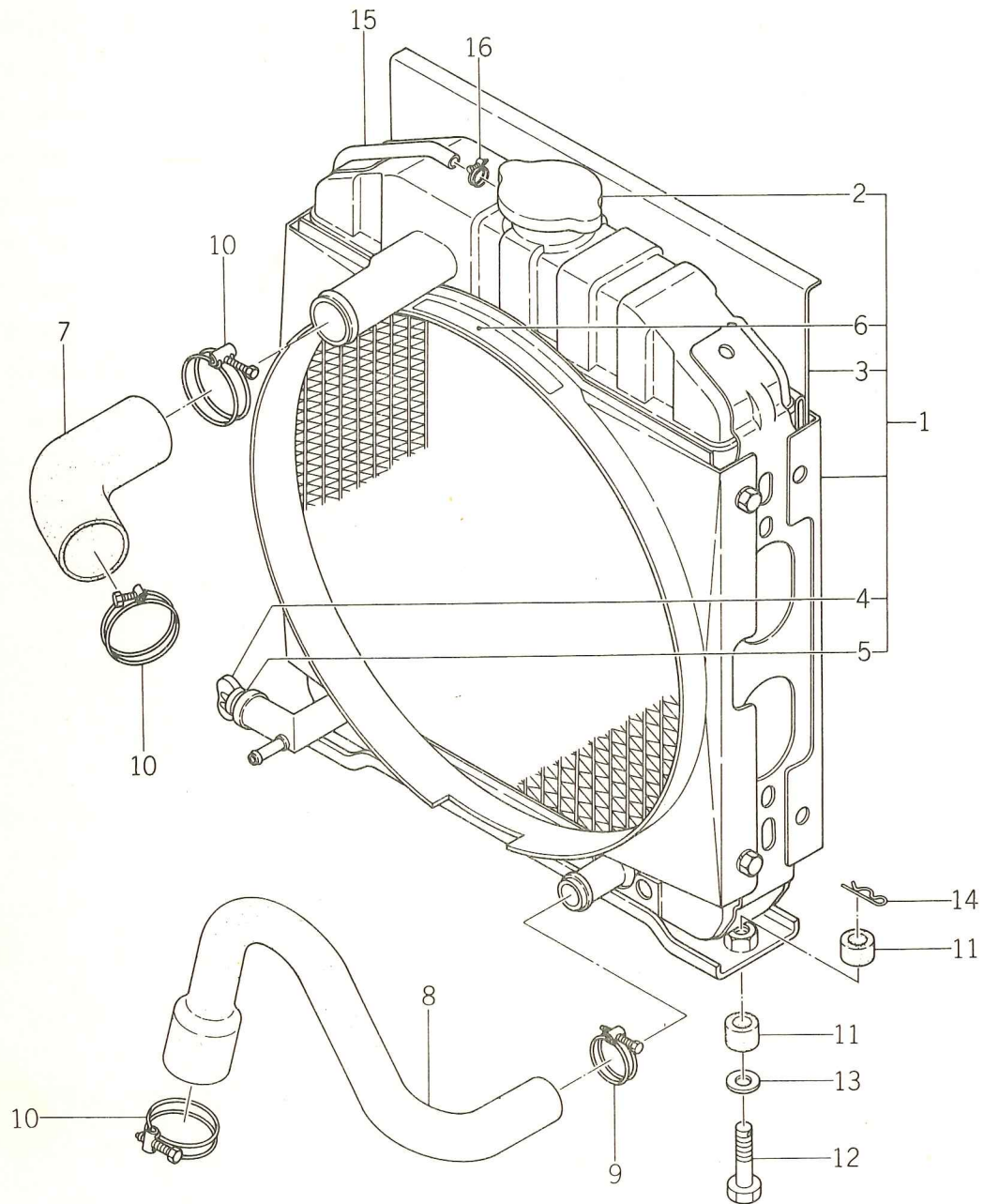


Ref No.	Parts Code	Name	Qty								Parts Code
			TS1910				TS2220				
			G	GLF	GR	GLFB	S	SB	LF	LFB	
20- 0-1	1876186	GENERATOR/12V-10A					1	1	1	1	5688-120-0273-0
20- 5	1876429	ROTOR ASSY					1	1	1	1	5698-222-3109-0
20-20	1876430	STATOR ASSY					1	1	1	1	5698-223-1109-0
20-25	1876431	COVER, R,ASSY					1	1	1	1	5688-111-5012-0
20-27	1876432	RECTIFIRE ASSY					1	1	1	1	5688-121-9005-0
20-31	1876433	HOLDER, BRUSH					1	1	1	1	5698-221-5926-0
20-33	1876434	BRUSH					2	2	2	2	5648-121-5005-0
20-41	1876435	TERMINAL ASSY					1	1	1	1	5688-121-9006-0
20-51	1876436	COVER, F.					1	1	1	1	5698-223-1307-0
20-75	1876437	PULLEY ASSY					1	1	1	1	5698-223-3208-0
20-90	1876438	BOLT, THROUGH					2	2	2	2	5698-223-5060-0



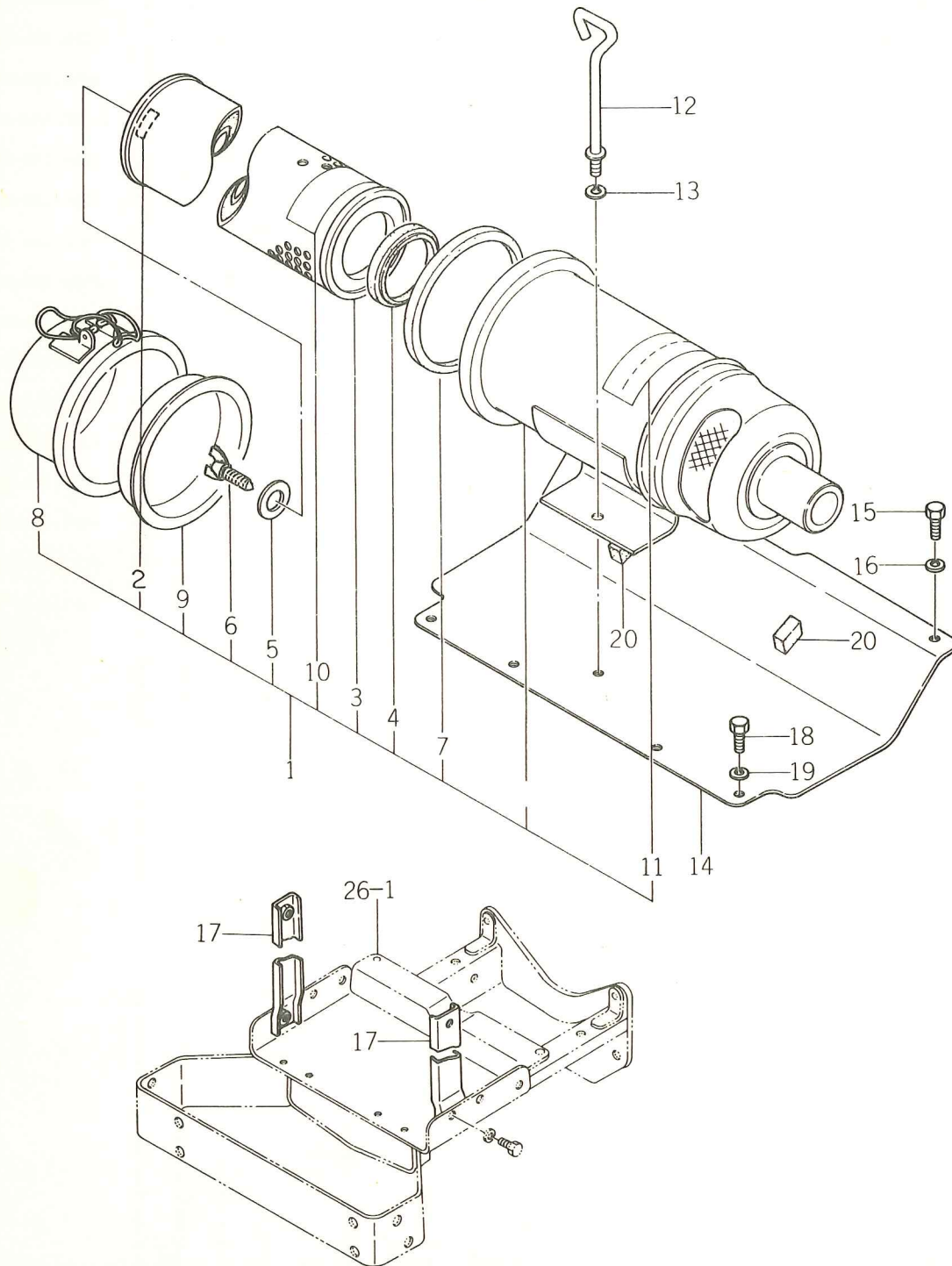
**C H A S S I S**

**Fig.21 RADIATOR**



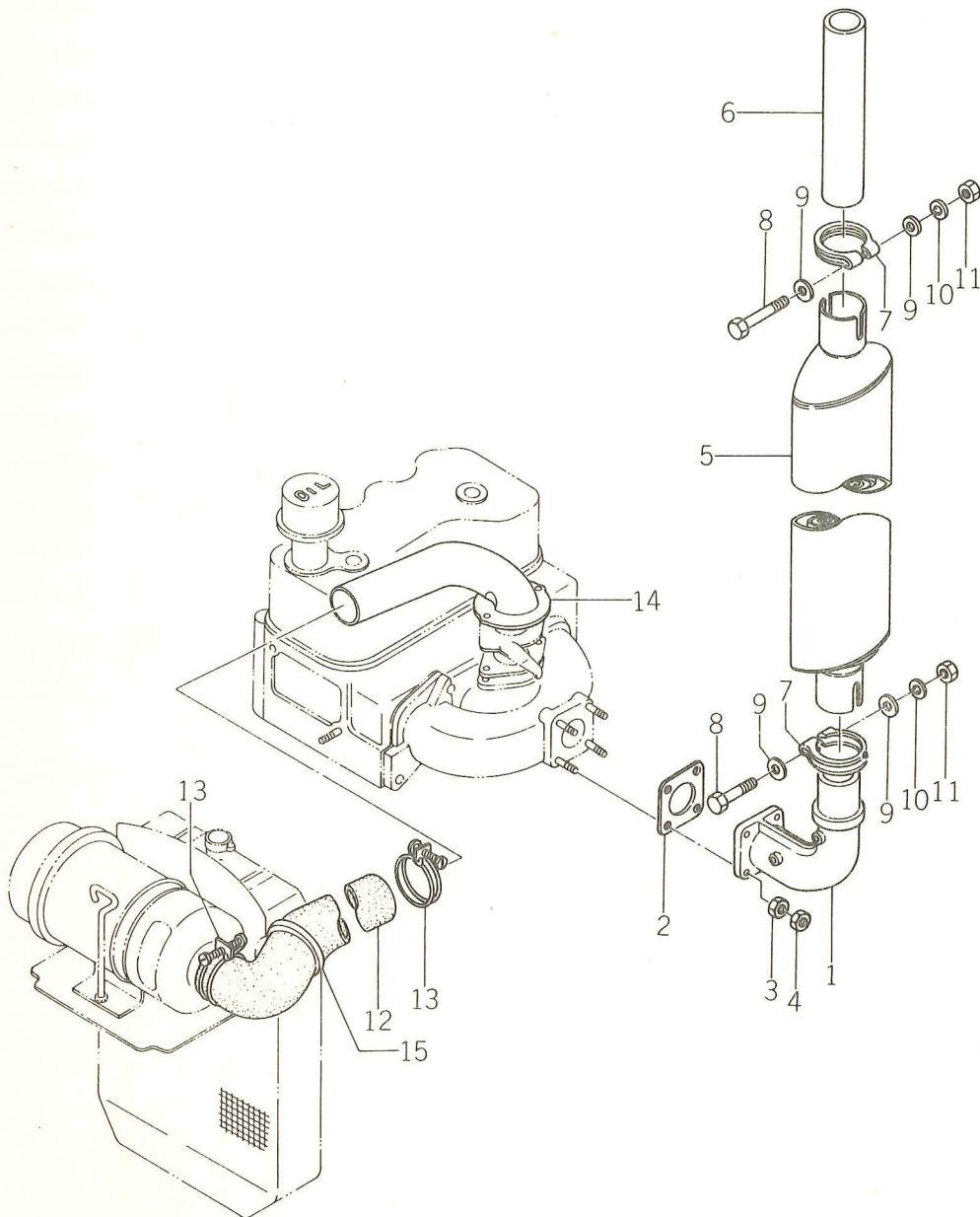
Ref No.	Parts Code	Name	Qty								Parts Code	
			TS1910				TS2220					
			G	GLF	GR	GLFB	S	SB	LF	LFB		
21- 1	1862350	RADIATOR ASSY	1	1	1	1	1	1	1	1	1	1422-155-2100-0
21- 2	1862517	*CAP	1	1	1	1	1	1	1	1	1	1421-101-3130-0
21- 3	1862518	*NET	1	1	1	1	1	1	1	1	1	1421-101-3120-0
21- 4	1862519	*PLUG	1	1	1	1	1	1	1	1	1	1424-101-2030-0
21- 5	1862520	*PACKING	1	1	1	1	1	1	1	1	1	1424-101-2040-0
21- 6	1862357	*PLATE, CAUTION	1	1	1	1	1	1	1	1	1	1422-155-2110-0
21- 7	1862358	HOSE, RADIATOR UP	1	1	1	1						1422-155-0010-0
21- 7-1	1862527	HOSE, RADIATOR UP					1	1	1	1		1423-101-0051-0
21- 8	1862522	HOSE, RADIATOR LW	1	1	1	1	1	1	1	1	1	1421-101-0090-0
21- 9	1862523	CLIP/33	1	1	1	1	1	1	1	1	1	1421-101-0120-0
21-10	1862524	CLIP/45	3	3	3	3	3	3	3	3	3	1424-101-0040-0
21-11	1862555	CUSHION, RADIATOR	4	4	4	4	4	4	4	4	4	1415-101-0100-0
21-12	1862556	BOLT/M10x42	2	2	2	2	2	2	2	2	2	1421-101-0010-0
21-13	1860416	WASHER/M12	2	2	2	2	2	2	2	2	2	V41316-001200
21-14	1871302	PIN, HAIR	2	2	2	2	2	2	2	2	2	1305-241-0010-0
21-15	1862557	HOSE, DRAIN	1	1	1	1	1	1	1	1	1	1421-101-0080-0
21-16	1862558	BAND, HOSE	2	2	2	2	2	2	2	2	2	1417-102-0050-0

**Fig.22 INTAKE SYSTEM**



Ref No.	Parts Code	Name	Q'ty								Parts Code	
			TS1910				TS2220					
			G	GLF	GB	GLFB	S	SB	LF	LFB		
22- 1	1862359	CLEANER, AIR ASSY	1	1	1	1	1	1	1	1	1	1422-155-2200-0
22- 2	1872000	• PAPER, CAUTION C	1	1	1	1	1	1	1	1	1	1422-155-2420-0
22- 3	1871991	• ELEMENT/PAPER	1	1	1	1	1	1	1	1	1	1419-101-0071-0
22- 4	1871992	• PACKING, A	1	1	1	1	1	1	1	1	1	1419-101-0080-0
22- 5	1862532	• PACKING ASSY	1	1	1	1	1	1	1	1	1	1419-101-0100-0
22- 6	1871993	• BOLT, WING	1	1	1	1	1	1	1	1	1	1419-101-0090-0
22- 7	1862534	• PACKING, B	1	1	1	1	1	1	1	1	1	1419-101-0130-0
22- 8	1862535	• PAN, DUST	1	1	1	1	1	1	1	1	1	1421-101-0070-0
22- 9	1862536	• DIVIDER ASSY	1	1	1	1	1	1	1	1	1	1419-101-0120-0
22-10	1871998	• PAPER, CAUTION A	1	1	1	1	1	1	1	1	1	1422-155-2210-0
22-11	1862369	• PAPER, CAUTION B	1	1	1	1	1	1	1	1	1	1422-155-2310-0
22-12	1862370	BOLT, WING	1	1	1	1	1	1	1	1	1	1421-101-0130-0
22-13	1860403	WASHER, SP/M8	1	1	1	1	1	1	1	1	1	V40116-000800
22-14	1862539	BRACKET	1	1	1	1	1	1	1	1	1	1421-602-6000-0
22-15	1860216	BOLT/M8×20	2	2	2	2	2	2	2	2	2	V20126-080200
22-16	1860403	WASHER, SP/M8	2	2	2	2	2	2	2	2	2	V40116-000800
22-17	1862540	STAY, BRACKET	2	2	2	2	2	2	2	2	2	1421-602-7000-1
22-18	1860216	BOLT/M8×20	4	4	4	4	4	4	4	4	4	V20126-080200
22-19	1860403	WASHER, SP/M8	4	4	4	4	4	4	4	4	4	V40116-000800
22-20	1871472	CUSHION, C/RUBBER	2	2	2	2	2	2	2	2	2	1421-602-0080-0

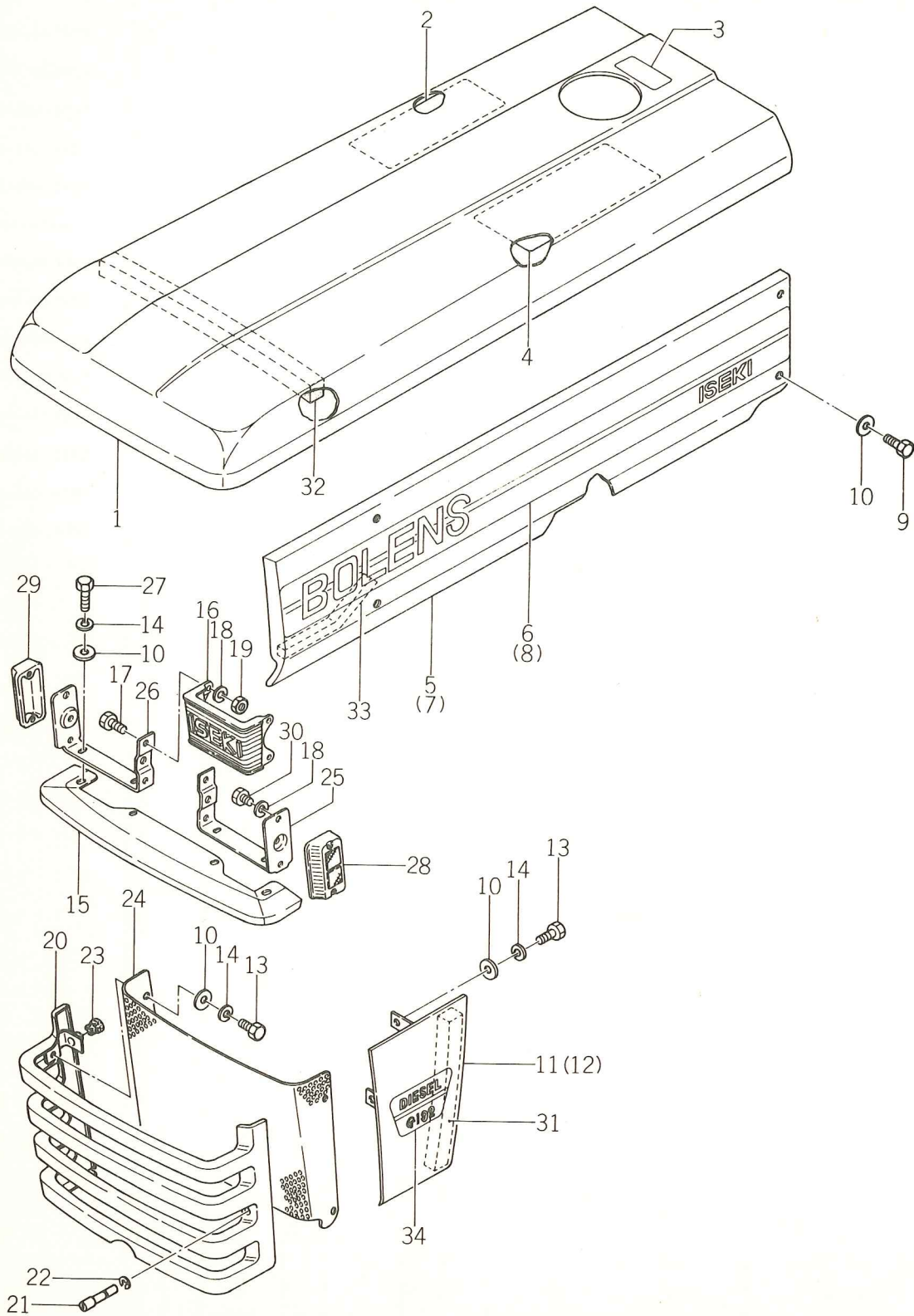
**Fig.23 EXHAUST AND INTAKE SYSTEM**





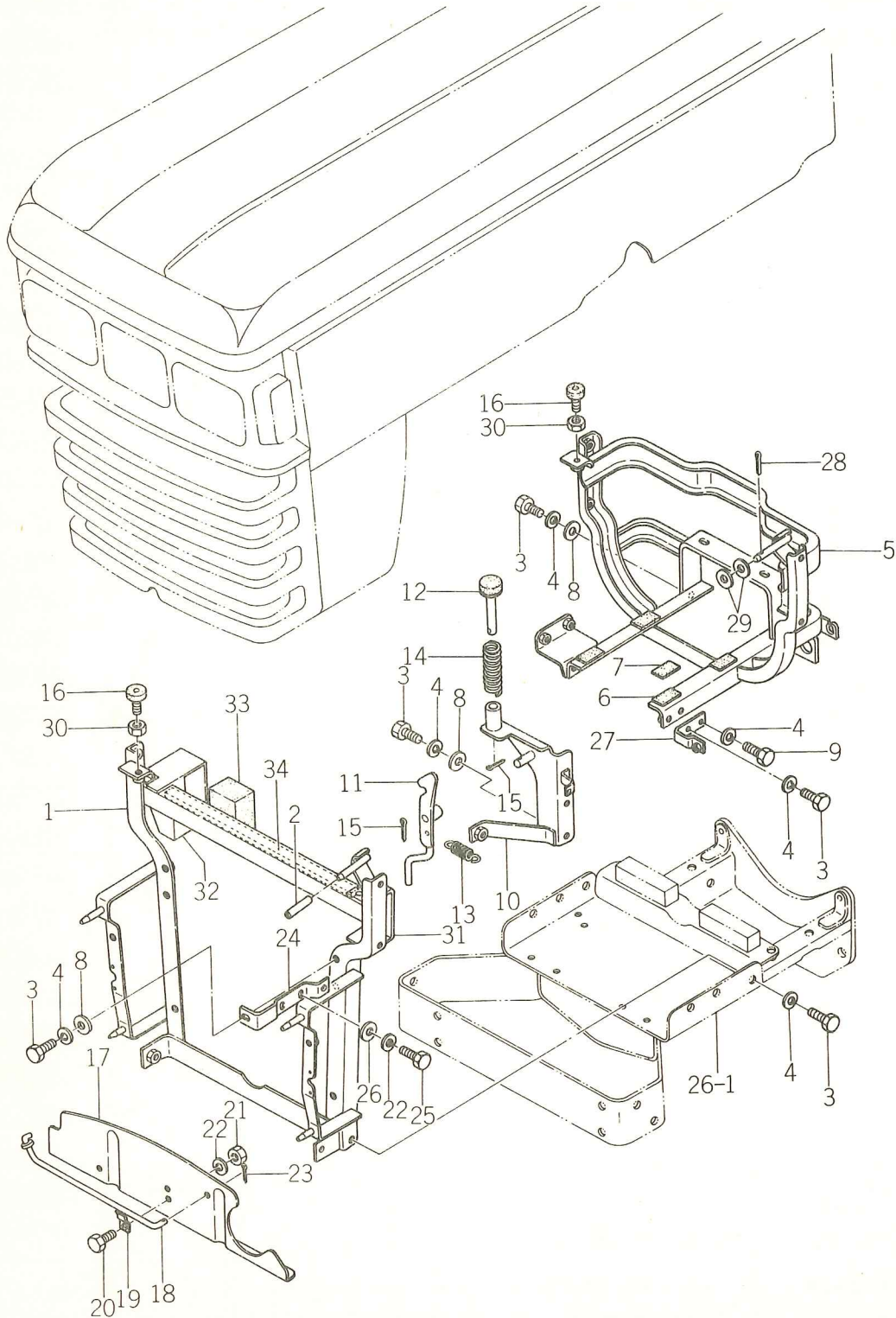
Ref No.	Parts Code	Name	Q'ty								Parts Code	
			TS1910				TS2220					
			G	GLF	GR	GLFB	S	SB	LF	LFB		
23- 1	1862374	PIPE, EXH	1	1	1	1	1	1	1	1	1	1419-101-0030-0
23- 2	1862547	GASKET	1	1	1	1	1	1	1	1	1	1415-101-0180-0
23- 3	1862375	NUT/M8	4	4	4	4	4	4	4	4	4	V30326-000800
23- 4	1862376	NUT/M8	4	4	4	4	4	4	4	4	4	V30526-000800
23- 5	1862377	MUFFLER	1	1	1	1	1	1	1	1	1	1421-101-3000-0
23- 6	1862380	PIPE, TAIL	1	1	1	1	1	1	1	1	1	1421-101-0030-0
23- 7	1862550	CLAMP, MUFFLER	2	2	2	2	2	2	2	2	2	1431-101-0020-0
23- 8	1862387	BOLT/M10x70	2	2	2	2	2	2	2	2	2	V20126-100700
23- 9	1860415	WASHER/M10	4	4	4	4	4	4	4	4	4	V41316-001000
23-10	1860404	WASHER, SF/M10	2	2	2	2	2	2	2	2	2	V40116-001000
23-11	1860305	NUT/M10	2	2	2	2	2	2	2	2	2	V30026-001000
23-12	1862525	PIPE/RUBBER	1	1	1	1	1	1	1	1	1	1421-101-0050-0
23-13	1862552	CLIP, C	2	2	2	2	2	2	2	2	2	1415-101-0400-0
23-14	1862553	PIPE, INLET	1	1	1	1						1421-101-2000-0
23-14-1	1862402	PIPE, INLET					1	1	1	1		1430-101-2201-0
23-15	1862559	SEAL, C	1	1	1	1	1	1	1	1	1	1422-605-0050-0

**Fig.24 BONNET**



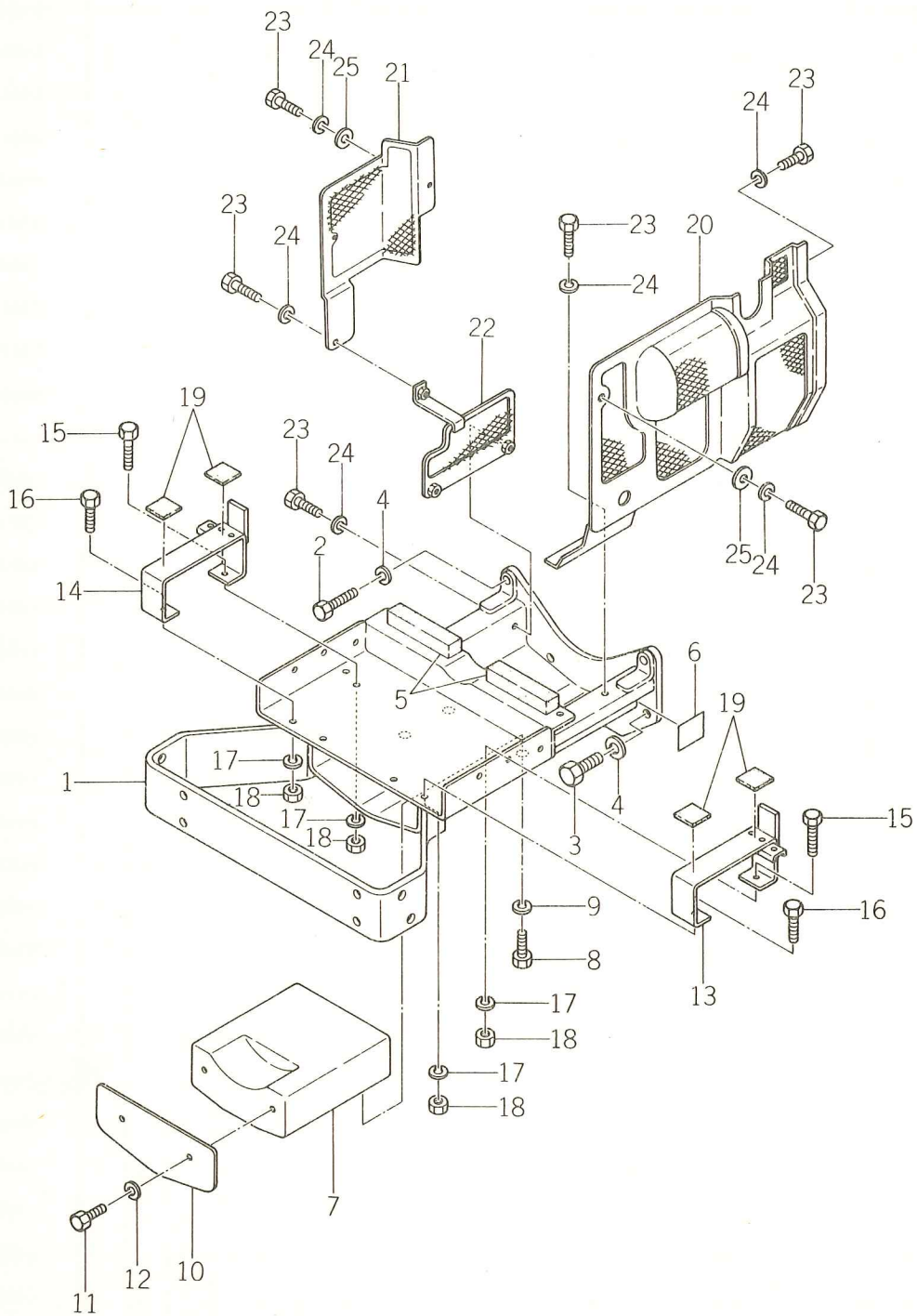
Ref No.	Parts Code	Name	Q'ty								Parts Code
			TS 1910				TS 2220				
			G	GLF	GB	GLFB	S	SB	LF	LFB	
24- 1	1862403	BONNET	1	1	1	1	1	1	1	1	1422-652-2000-0
24- 2	1862404	MARK, OIL	1	1	1	1	1	1	1	1	1422-940-0030-0
24- 3	1871917	MARK, FUEL	1	1	1	1	1	1	1	1	1427-941-0160-0
24- 4	1862405	MARK, WIRING	1	1	1	1	1	1	1	1	1422-940-0040-0
24- 5	1862572	SIDE, BONNET LH	1	1	1	1	1	1	1	1	1430-601-0010-0
24- 6	1862299	MARK, SIDE LH	1	1	1	1	1	1	1	1	
24- 7	1862574	SIDE, BONNET RH	1	1	1	1	1	1	1	1	1421-601-0020-0
24- 8	1862298	MARK, SIDE RH	1	1	1	1	1	1	1	1	
24- 9	1862576	BOLT, SET	8	8	8	8	8	8	8	8	1421-601-0030-0
24-10	1860414	WASHER/M8	22	22	22	22	22	22	22	22	V41316-000800
24-11	1862577	PLATE, SIDE LH	1	1	1	1	1	1	1	1	1421-601-2000-0
24-12	1862578	PLATE, SIDE RH	1	1	1	1	1	1	1	1	1421-601-3000-0
24-13	1860214	BOLT/M8×16	10	10	10	10	10	10	10	10	V20126-080160
24-14	1860403	WASHER, SP/M8	14	14	14	14	14	14	14	14	V40116-000800
24-15	1862579	MASK, F	1	1	1	1	1	1	1	1	1421-601-0040-0
24-16	1862408	MARK, F	1	1	1	1	1	1	1	1	1422-931-0011-0
24-17	1860202	BOLT/M6×16	4	4	4	4	4	4	4	4	V20026-060160
24-18	1860402	WASHER, SP/M6	8	8	8	8	8	8	8	8	V40116-000600
24-19	1860303	NUT/M6	4	4	4	4	4	4	4	4	V30026-000600
24-20	1862409	GRILLE, F.	1	1	1	1	1	1	1	1	1422-651-2000-0
24-21	1862582	FASTENER, SIGN	2	2	2	2	2	2	2	2	1421-601-0050-0
24-22	1862410	RING, SNAP/E 9	2	2	2	2	2	2	2	2	V71024-000900
24-23	1862583	CUSHION/RUBBER	4	4	4	4	4	4	4	4	1421-601-0060-0
24-24	1862584	NET	1	1	1	1	1	1	1	1	1421-601-0070-0
24-25	1862411	STAY, LIGHT LH	1	1	1	1	1	1	1	1	1421-601-0110-0
24-26	1862412	STAY, LIGHT RH	1	1	1	1	1	1	1	1	1421-601-0120-0
24-27	1860216	BOLT/M8×20	4	4	4	4	4	4	4	4	V20126-080200
24-28	1862587	MARKER, SIDE LH	1	1	1	1	1	1	1	1	1421-601-0080-0
24-29	1862588	MARKER, SIDE RH	1	1	1	1	1	1	1	1	1421-601-0090-0
24-30	1860201	BOLT/M6×12	4	4	4	4	4	4	4	4	V20026-060120
24-31	1862356	SEAL, B	2	2	2	2	2	2	2	2	1422-605-0040-0
24-32	1862365	SEAL, D	1	1	1	1	1	1	1	1	1422-605-0060-0
24-33	1862367	SEAL, BRACKET A					2	2	2	2	1430-605-0010-0
24-34	1862329	MARK, POWER/19	1		1						
24-34-1	1862328	MARK, POWER/19F		1		1					
24-34-2	1862327	MARK, POWER/22					1	1			
24-34-3	1862326	MARK, POWER/22F							1	1	

**Fig.25 FRAME SYSTEM**



Ref No.	Parts Code	Name	Q'ty								Parts Code	
			TS1910				TS2220					
			G	GLF	GB	GLFB	S	SB	LF	LFB		
25- 1	1862419	FRAME, F	1	1	1	1	1	1	1	1	1	1422-656-2001-0
25- 2	1862593	BUSH	2	2	2	2	2	2	2	2	2	1421-602-0010-0
25- 3	1860214	BOLT/M8×16	13	13	13	13	13	13	13	13	13	V20126-080160
25- 4	1860403	WASHER, SP/M8	14	14	14	14	14	14	14	14	14	V40116-000800
25- 5	1862421	FRAME, R	1	1	1	1	1	1	1	1	1	1422-656-2100-0
25- 6	1862351	PLATE/RUBBER	4	4	4	4	4	4	4	4	4	3746-261-2050-0
25- 7	1862364	CUSHION, TANK/RUBBER	AR	AR	AR	AR	AR	AR	AR	AR	AR	1421-602-0090-0
25- 8	1860414	WASHER/M8	5	5	5	5	5	5	5	5	5	V41316-000800
25- 9	1860216	BOLT/M8×20	1	1	1	1	1	1	1	1	1	V20126-080200
25-10	1862596	STAY, CATCHER	1	1	1	1	1	1	1	1	1	1430-602-2000-0
25-11	1862597	HOOK	1	1	1	1	1	1	1	1	1	1421-602-4001-0
25-12	1862422	SUPPORT, SPRING	1	1	1	1	1	1	1	1	1	1421-602-0110-0
25-13	1862600	SPRING, TENSION/65	1	1	1	1	1	1	1	1	1	1421-602-0030-0
25-14	1862601	SPRING, PRESS/85	1	1	1	1	1	1	1	1	1	1421-602-0040-0
25-15	1860503	PIN, SPLIT/2.5×18	2	2	2	2	2	2	2	2	2	V50015-250180
25-16	1862602	CUSHION, B/RUBBER	2	2	2	2	2	2	2	2	2	1421-602-0050-0
25-17	1862603	PLATE, SEAL	1	1	1	1	1	1	1	1	1	1421-602-0060-0
25-18	1862604	STOPPER, BONNET	1	1	1	1	1	1	1	1	1	1421-602-8000-0
25-19	1862605	SPRING, ROD	1	1	1	1	1	1	1	1	1	1421-602-0070-0
25-20	1860201	BOLT/M6×12	1	1	1	1	1	1	1	1	1	V20026-060120
25-21	1860303	NUT/M6	1	1	1	1	1	1	1	1	1	V30026-000600
25-22	1860402	WASHER, SP/M6	5	5	5	5	5	5	5	5	5	V40116-000600
25-23	1860502	PIN, SPLIT/2×18	1	1	1	1	1	1	1	1	1	V50015-200180
25-24	1862606	STAY, COVER A	2	2	2	2	2	2	2	2	2	1421-604-3000-0
25-25	1860202	BOLT/M6×16	4	4	4	4	4	4	4	4	4	V20026-060160
25-26	1860413	WASHER/M6	4	4	4	4	4	4	4	4	4	V41316-000600
25-27	1862607	STAY, COVER	1	1	1	1	1	1	1	1	1	1430-604-2200-
25-28	1860501	PIN, SPLIT/2.5×15	1	1	1	1	1	1	1	1	1	V50015-250150
25-29	1860414	WASHER/M8	2	2	2	2	2	2	2	2	2	V41316-000800
25-30	1860310	NUT/M8	2	2	2	2	2	2	2	2	2	V30226-000800
25-31	1862361	HOLDER, SEAL LH	1	1	1	1	1	1	1	1	1	1422-605-0010-0
25-32	1862362	HOLDER, SEAL RH	1	1	1	1	1	1	1	1	1	1422-605-0020-0
25-33	1862363	SEAL, A	2	2	2	2	2	2	2	2	2	1422-605-0030-0
25-34	1862368	SEAL, BRACKET B						1	1	1	1	1430-605-0020-0

**Fig.26 AXLE BRACKET (2WD)**



Ref No.	Parts Code	Name	Q'ty								Parts Code	
			TS1910				TS2220					
			G	GLF	GR	GLFB	S	SB	LF	LFB		
26- 1	1862423	BRACKET, AXLE	1		1			1	1			1422-452-2000-0
26- 2	1862424	BOLT/M14×35 9T	2		2			2	2			V20146-140350
26- 3	1862425	BOLT/M14×32 9T	4		4			4	4			V20146-140320
26- 4	1862426	WASHER, SP/M14	6		6			6	6			V40116-001400
26- 5	1862427	SEAL	2		2			2	2			1422-681-0010-0
26- 6	1862428	MARK, MODEL	1		1							1422-946-0010-0
26- 6-1	1862429	MARK, MODEL						1	1			1438-946-0010-0
26- 7	1862611	WEIGHT, BALANCE/14	1		1			1	1			1430-401-0010-0
26- 8	1860225	BOLT/M10×40	2		2			2	2			V20126-100200
26- 9	1860404	WASHER, SP/M10	2		2			2	2			V40116-001000
26-10	1862366	PLATE, SEAL	1		1			1	1			1430-401-0020-0
26-11	1860214	BOLT/M8×16	2		2			2	2			V20126-080160
26-12	1860403	WASHER, SP/M8	2		2			2	2			V40116-000800
26-13	1862430	BASE, BATTERY LH	1		1			1	1			1422-451-2101-0
26-14	1862431	BASE, BATTERY RH	1		1			1	1			1422-451-2201-0
26-15	1860217	BOLT/M8×25	2		2			2	2			V20126-080250
26-16	1860214	BOLT/M8×16	2		2			2	2			V20126-080160
26-17	1860403	WASHER, SP/M8	4		4			4	4			V40116-000800
26-18	1860304	NUT/M8	4		4			4	4			V30026-000800
26-19	1862351	PLATE/RUBBER	4		4			4	4			3746-261-2050-0
26-20	1862612	COVER, FAN A	1		1			1	1			1430-604-2000-0
26-21	1862613	COVER, FAN B	1		1			1	1			1430-604-2300-0
26-22	1862614	COVER, FAN C	1		1			1	1			1430-604-2400-0
26-23	1860214	BOLT/M8×16	7		7			7	7			V20126-080160
26-24	1860403	WASHER, SP/M8	7		7			7	7			V40116-000800
26-25	1860414	WASHER/M8	3		3			3	3			V41316-000800



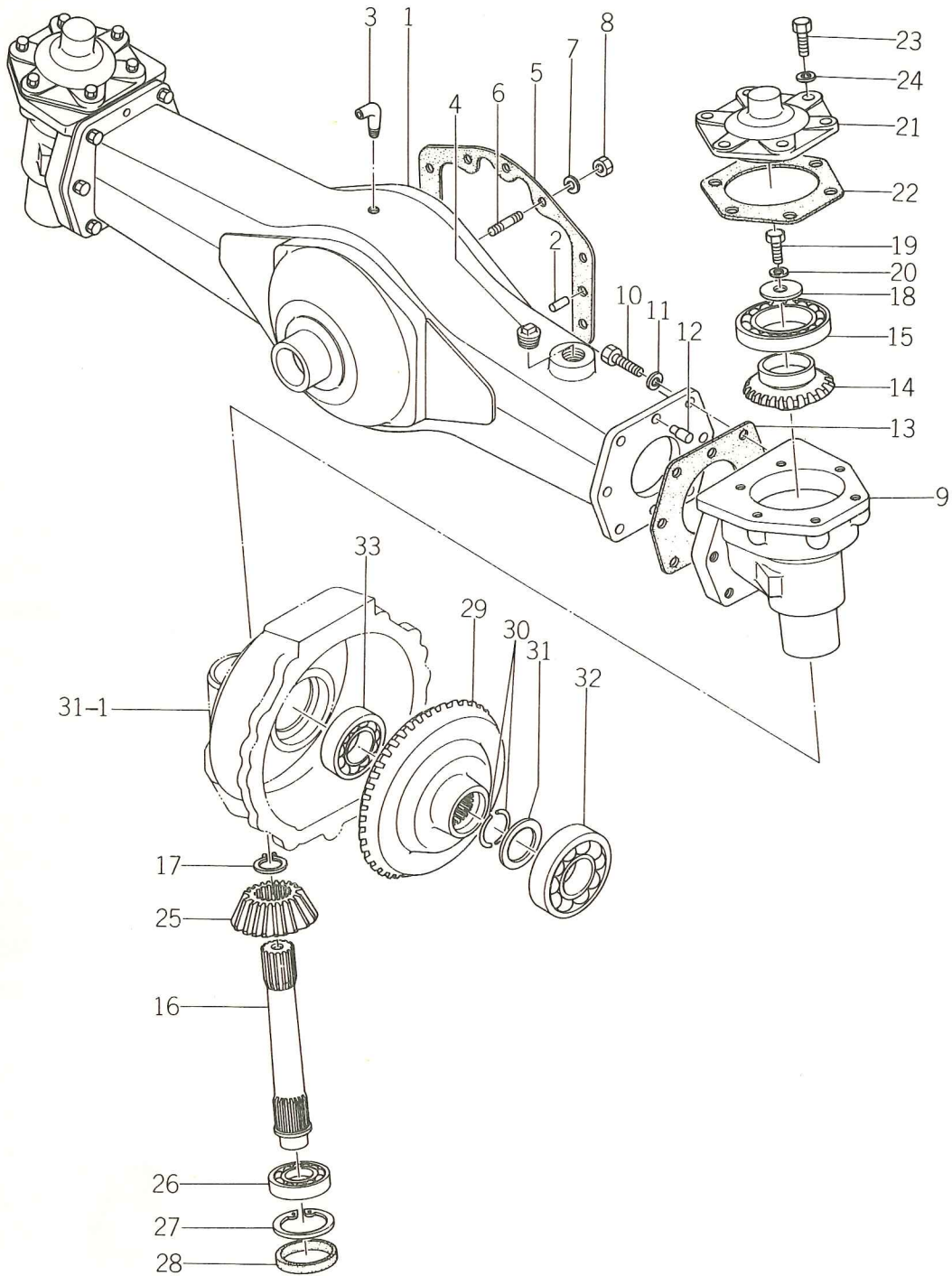


Ref No.	Parts Code	Name	Q'ty								Parts Code		
			TS1910				TS2220						
			G	GLF	GR	GLFB	S	SB	LF	LFB			
27- 1	1862437	BRACKET, AXLE		1		1					1	1	1422-456-2000-0
27- 2	1862424	BOLT/M14×35 9T		2		2					2	2	V20146-140350
27- 3	1862425	BOLT/M14×32 9T		4		4					4	4	V20146-140320
27- 4	1862426	WASHER, SP/M14		6		6					6	6	V40116-001400
27- 5	1862427	SEAL		2		2					2	2	1422-681-0010-0
27- 6	1862438	MARK, MODEL/LF		1		1							1422-946-0020-0
27- 6-1	1862439	MARK, MODEL/LF									1	1	1438-946-0020-0
27- 7	1862440	PLATE, END		1		1					1	1	1422-455-2100-0
27- 8	1860214	BOLT/M8×16		2		2					2	2	V20126-080160
27- 9	1860403	WASHER, SP/M8		2		2					2	2	V40116-000800
27-10	1862430	BASE, BATTERY LH		1		1					1	1	1422-451-2101-0
27-11	1862431	BASE, BATTERY RH		1		1					1	1	1422-451-2201-0
27-12	1860217	BOLT/M8×25		2		2					2	2	V20126-080250
27-13	1860214	BOLT/M8×16		2		2					2	2	V20126-080160
27-14	1860403	WASHER, SP/M8		4		4					4	4	V40116-000800
27-15	1860304	NUT/M8		4		4					4	4	V30026-000800
27-16	1862351	PLATE/RUBBER		4		4					4	4	3746-261-2050-0
27-17	1862352	METAL, PIVOT F		1		1					1	1	1421-436-0010-0
27-18	1862353	BUSH/45×50×25		1		1					1	1	1421-436-0020-0
27-19	1860915	O-RING/P45		1		1					1	1	V72010-350450
27-20	1862445	BOLT/M14×40		8		8					8	8	V20126-140400
27-21	1862426	WASHER, SP/M14		8		8					8	8	V40116-001400
27-22	1860736	NIPPLE, GREASE		2		2					2	2	V76140-000000
27-23	1862354	METAL, PIVOT R ASSY		1		1					1	1	1421-436-2200-0
27-24	1862355	*BUSH/60×65×30		1		1					1	1	1421-436-2220-0
27-25	1862454	O-RING/P60		2		2					2	2	V72010-570600
27-26	1862612	COVER, FAN A		1		1					1	1	1430-604-2000-0
27-27	1862613	COVER, FAN B		1		1					1	1	1430-604-2300-0
27-28	1862614	COVER, FAN C		1		1					1	1	1430-604-2400-0
27-29	1860214	BOLT/M8×16		7		7					7	7	V20126-080160
27-30	1860403	WASHER, SP/M8		7		7					7	7	V40116-000800
27-31	1860414	WASHER/M8		3		3					3	3	V41316-000800



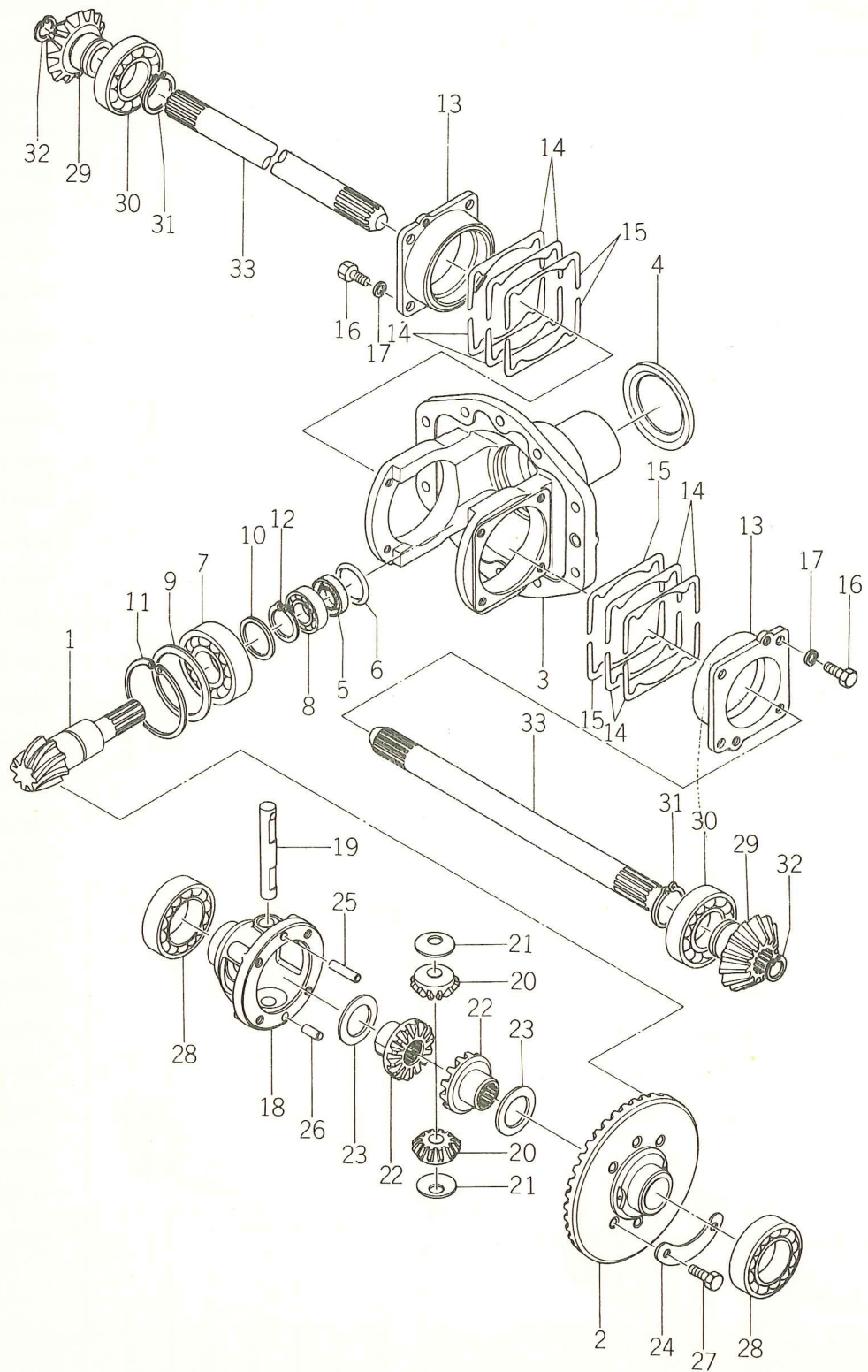
Ref No.	Parts Code	Name	Q'ty								Parts Code	
			TS1910				TS2220					
			G	GLF	GB	GLFB	S	SB	LF	LFB		
28- 1	1862457	AXLE, F	1		1			1	1			1422-452-2100-0
28- 2	1860736	NIPPLE, GREASE	2		2			2	2			V76140-000000
28- 3	1860737	NIPPLE, GREASE	1		1			1	1			V76340-000000
28- 4	1862371	PIVOT, CENTER	1		1			1	1			1421-401-0010-0
28- 5	1871434	BUSH/25×29×30	5		5			5	5			1411-401-0010-0
28- 6	1862372	BUSH/25×29×40	1		1			1	1			1412-401-0040-0
28- 7	1862373	COLLAR, PIVOT	1		1			1	1			1414-401-0031-0
28- 8	1860928	O-RING/P25	2		2			2	2			V72010-350250
28- 9	1862469	NUT, SLOTTED/M20	1		1			1	1			V32016-002000
28-10	1860511	PIN, SPLIT/4×40	1		1			1	1			V50015-400400
28-11	1862513	SPINDLE, KNUCKLE LH	1		1			1	1			1421-403-2100-0
28-12	1862516	SPINDLE, KNUCKLE RH	1		1			1	1			1421-403-2200-0
28-13	1871444	BEARING, TB/27TAG801	2		2			2	2			1414-403-0040-0
28-14	1871461	COLLAR/25×42×4	2		2			2	2			1419-403-0010-0
28-15	1860929	SEAL, OIL/TC34488	2		2			2	2			V74413-448080
28-16	1860928	O-RING/P25	2		2			2	2			V72010-350250
28-17	1871310	KEY	1		1			1	1			1326-708-0050-0
28-18	1862521	ARM, DRAG	1		1			1	1			1421-403-0060-0
28-19	1862526	WASHER/13×35×5	1		1			1	1			1421-403-0080-0
28-20	1862528	WASHER, LOCK/M12	1		1			1	1			1421-403-0070-0
28-21	1860306	NUT/M12	1		1			1	1			V30026-001200
28-22	1871443	COVER, SPINDLE	1		1			1	1			1414-403-0030-0
28-23	1860405	WASHER, SP/M12	1		1			1	1			V40116-001200
28-24	1860306	NUT/M12	1		1			1	1			V30026-001200
28-25	1871426	SEAL	2		2			2	2			1407-403-0020-0
28-26	1860607	BEARING, RB/6205	2		2			2	2			V60011-062050
28-27	1860606	BEARING, RB/6204	2		2			2	2			V60011-062040
28-28	1871308	COLLAR, R HITCH	2		2			2	2			1325-930-1050-0
28-29	1860316	NUT/M12	2		2			2	2			V32116-001200
28-30	1860507	PIN, SPLIT/3×25	2		2			2	2			V50015-300250
28-31	1862537	ROD, TIE	1		1			1	1			1422-453-0010-0
28-32	1862378	NUT, LH THREAD/M17	1		1			1	1			1421-403-0020-0
28-33	1862379	NUT/M17	1		1			1	1			1421-403-0010-0
28-34	1862381	END, ROD ASSY	1		1			1	1			1421-400-0540-0
28-35	1862382	END, ROD ASSY	1		1			1	1			1421-400-0550-0
28-36	1862383	•COVER, DUST	2		2			2	2			1404-402-0010-0
28-37	1862384	•NUT, SLOTTED/M12	2		2			2	2			1421-403-0030-0
28-38	1860506	•PIN, SPLIT/3×20	2		2			2	2			V50015-300200
28-39	1871420	•NIPPLE, GREASE	2		2			2	2			1404-402-0050-0

**Fig.29 FRONT AXLE (4WD)**



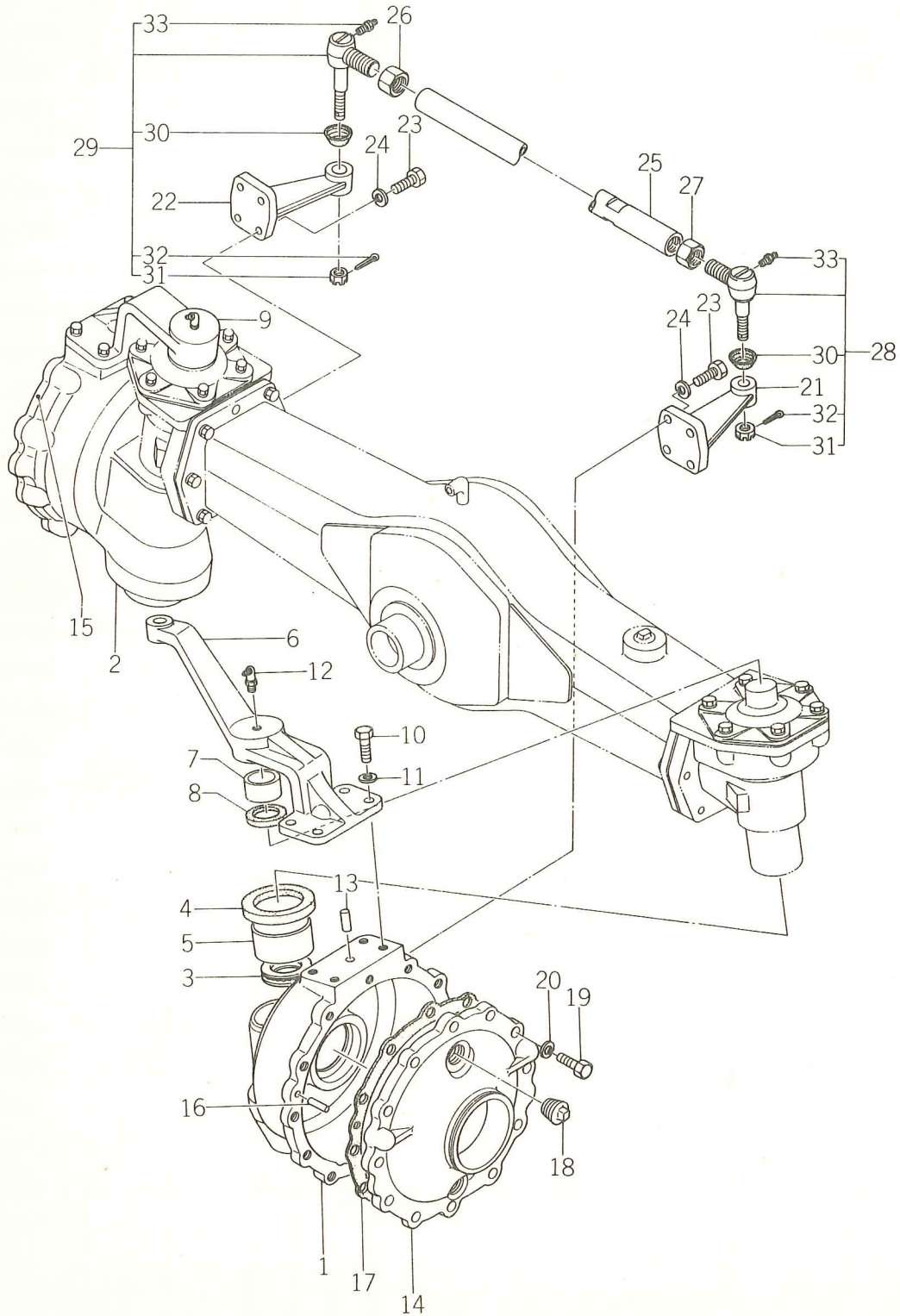
Ref No.	Parts Code	Name	Qty								Parts Code		
			TS1910				TS2220						
			G	GLF	GR	GLFB	S	SB	LF	LFB			
29- 1	1862385	HOUSING, AXLE		1		1					1	1	1421-432-2000-0
29- 2	1877904	PIN, KNOCK		2		2					2	2	7963-201-0030-0
29- 3	1862386	PIPE, BREATHER		1		1					1	1	1425-432-0010-0
29- 4	1860741	PLUG		1		1					1	1	V78110-000080
29- 5	1862388	PACKING, HOUSING		1		1					1	1	1421-432-0010-0
29- 6	1862538	STUD/M10×25		10		10					10	10	V25126-100250
29- 7	1860404	WASHER, SP/M10		10		10					10	10	V40116-001000
29- 8	1860305	NUT/M10		10		10					10	10	V30026-001000
29- 9	1862389	CASE, FINAL A		2		2					2	2	1421-433-0010-0
29-10	1862541	BOLT/M10×25 9T		12		12					12	12	V20146-100250
29-11	1860404	WASHER, SP/M10		12		12					12	12	V40116-001000
29-12	1862390	PIN, KNOCK		4		4					4	4	1421-433-0040-0
29-13	1862391	PACKING, CASE		2		2					2	2	1421-433-0050-0
29-14	1862392	GEAR, BEVEL/17T		2		2					2	2	1421-433-0060-0
29-15	1860604	BEARING, RB/6010		2		2					2	2	V60011-060100
29-16	1862393	SHAFT, COUNTER		2		2					2	2	1421-433-0070-0
29-17	1860707	RING, SNAP/C 30		2		2					2	2	V70414-003000
29-18	1862394	WASHER/11×36×6		2		2					2	2	1421-433-0080-0
29-19	1862541	BOLT/M10×25 9T		2		2					2	2	V20146-100250
29-20	1860404	WASHER, SP/M10		2		2					2	2	V40116-001000
29-21	1862395	COVER, BEARING		2		2					2	2	1421-433-0090-0
29-22	1862396	PACKING, COVER A		2		2					2	2	1421-433-0110-0
29-23	1860251	BOLT/M10×25		12		12					12	12	V20126-100250
29-24	1860404	WASHER, SP/M10		12		12					12	12	V40116-001000
29-25	1862397	GEAR, BEVEL/16T		2		2					2	2	1421-433-0180-0
29-26	1860607	BEARING, RB/6205		2		2					2	2	V60011-062050
29-27	1860910	RING, SNAP/C 52		2		2					2	2	V70514-005200
29-28	1862398	SEAL/52		2		2					2	2	1421-201-0030-0
29-29	1862399	GEAR, BEVEL/40T		2		2					2	2	1421-433-0210-0
29-30	1862400	RING, SNAP		4		4					4	4	1421-433-0220-0
29-31	1862401	COLLAR, THRUST		2		2					2	2	1421-433-0230-0
29-32	1860614	BEARING, RB/6307		2		2					2	2	V60011-063070
29-33	1860608	BEARING, RB/6206		2		2					2	2	V60011-062060

**Fig.30 DIFFERENTIAL GEAR (4WD)**



Ref No.	Parts Code	Name	Q'ty								Parts Code		
			TS1910				TS2220						
			G	GLF	GB	GLFB	S	SB	LF	LFB			
30- 1	1863015	PINION, BEVEL/8T		1		1					1	1	1421-431-0010-0
30- 2	1863016	GEAR, BEVEL/39T		1		1					1	1	1421-431-0020-0
30- 3	1863017	CASE, BEVEL		1		1					1	1	1421-431-0030-0
30- 4	1863018	COLLAR, THRUST		1		1					1	1	1421-431-0040-0
30- 5	1862542	SEAL, OIL/SC20358		1		1					1	1	V74012-035080
30- 6	1862543	O-RING/P35		1		1					1	1	V72010-350350
30- 7	1860613	BEARING, RB/6306		1		1					1	1	V60011-063060
30- 8	1860612	BEARING, RB/6304		1		1					1	1	V600-110-63040
30- 9	1863019	COLLAR, A		1		1					1	1	1421-431-0050-0
30-10	1863020	COLLAR, B		1		1					1	1	1421-431-0060-0
30-11	1862544	RING, SNAP/C 72		1		1					1	1	V70514-007200
30-12	1860707	RING, SNAP/C 30		1		1					1	1	V70414-003000
30-13	1863021	METAL, DIFF		2		2					2	2	1421-431-0070-0
30-14	1863022	SHIM, A/0.2		8		8					8	8	1421-431-0080-0
30-15	1863023	SHIM, B/0.1		4		4					4	4	1421-431-0090-0
30-16	1860216	BOLT/M8×20		8		8					8	8	V20126-080200
30-17	1860403	WASHER, SP/M8		8		8					8	8	V40116-000800
30-18	1863024	CASE, DIFF		1		1					1	1	1421-431-0110-0
30-19	1871645	SHAFT, DIFF PINION		1		1					1	1	1427-301-0030-0
30-20	1871646	PINION, DIFF/12T		2		2					2	2	1427-301-0040-0
30-21	1871647	COLLAR, PINION THRUST		2		2					2	2	1427-301-0050-0
30-22	1871648	GEAR, DIFF SIDE/14T		2		2					2	2	1427-301-0060-0
30-23	1871649	COLLAR, THRUST/32×48×1		2		2					2	2	1427-301-0070-0
30-24	1871650	WASHER, LOCK		2		2					2	2	1427-301-0080-0
30-25	1860513	PIN, B/8×30		1		1					1	1	V52110-080300
30-26	1860512	PIN, B/8×16		1		1					1	1	V52110-080160
30-27	1860235	BOLT/M8×25		4		4					4	4	V20146-080250
30-28	1860603	BEARING, RB/6009		2		2					2	2	V60011-060090
30-29	1863025	GEAR, BEVEL/13T		2		2					2	2	1421-433-0020-0
30-30	1860609	BEARING, RB/6207		2		2					2	2	V60011-062070
30-31	1860709	RING, SNAP/C 35		2		2					2	2	V70414-003500
30-32	1862545	RING, SNAP/C 32		2		2					2	2	V70514-002200
30-33	1863026	SHAFT, FINAL DRIVE		2		2					2	2	1421-433-0030-0

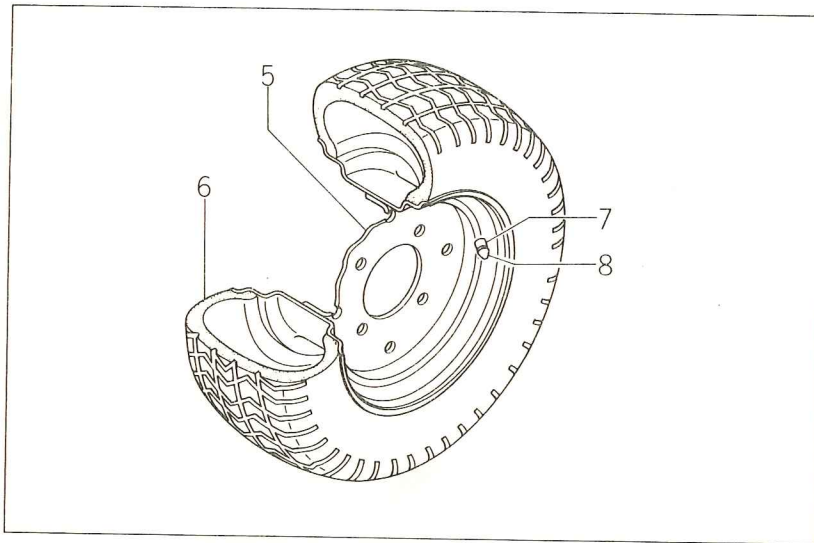
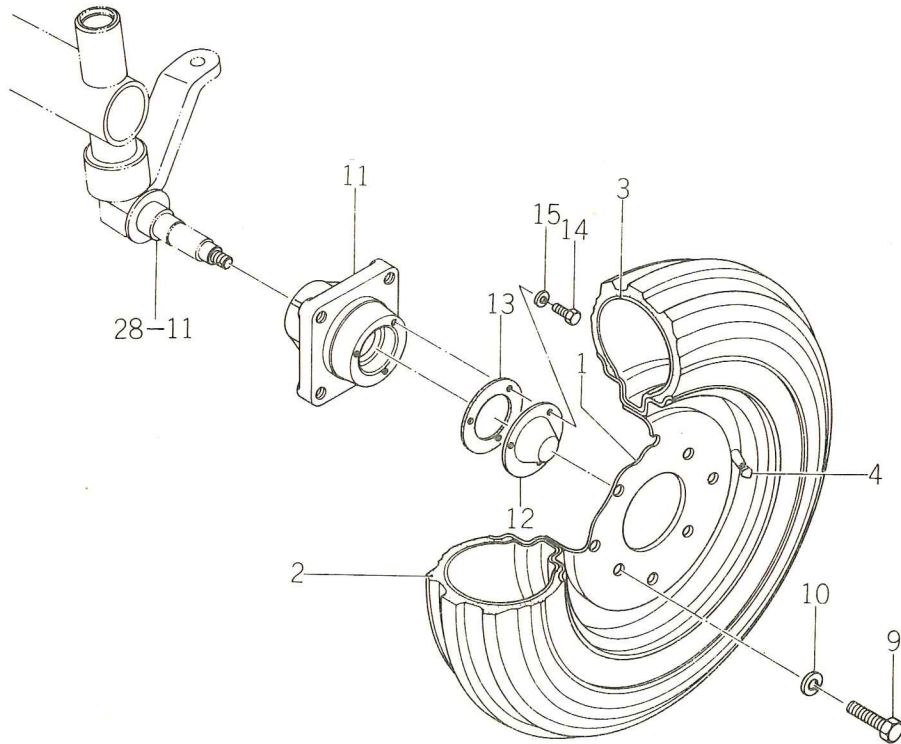
**Fig.31 FINAL CASE AND KNUCKLE ARM (4WD)**





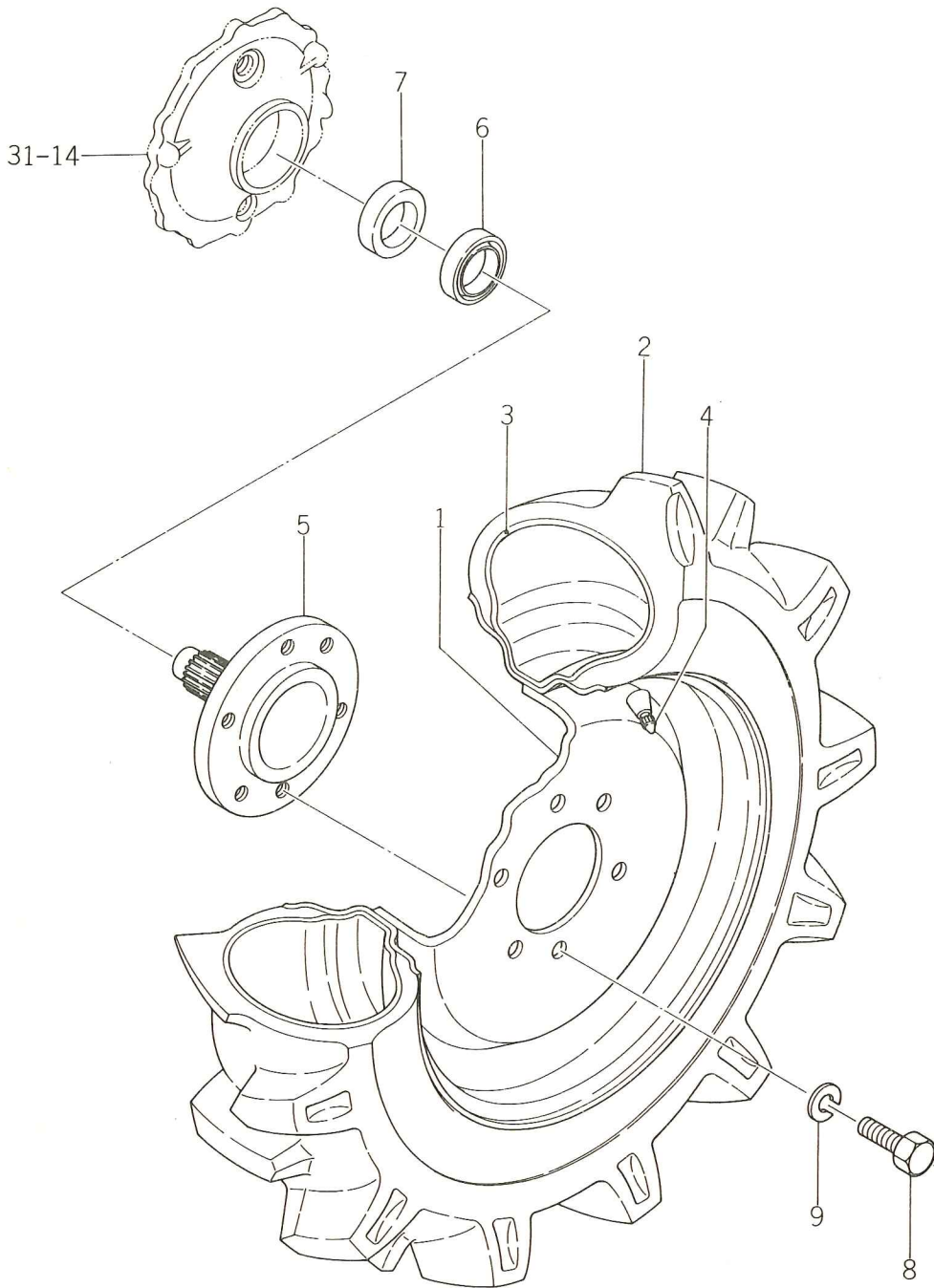
Ref No.	Parts Code	Name	Q'ty								Parts Code	
			TS1910				TS2220					
			G	GLF	GB	GLFB	S	SB	LF	LFB		
31- 1	1862997	CASE, FINAL B LH		1		1				1	1	1421-433-0121-0
31- 2	1862998	CASE, FINAL B RH		1		1				1	1	1421-433-0131-0
31- 3	1862548	BEARING, TB/51106		2		2				2	2	V61011-511060
31- 4	1862549	SEAL, OIL/TC50689		2		2				2	2	V74415-068090
31- 5	1862999	BUSH/50×55×30		2		2				2	2	1421-433-0140-0
31- 6	1863000	ARM, DRAG		1		1				1	1	1421-433-0151-0
31- 7	1863001	BUSH/30×34×20		2		2				2	2	1421-433-0160-0
31- 8	1862546	SEAL, OIL/OS30374		2		2				2	2	1421-433-0310-0
31- 9	1863002	METAL, KING PIN		1		1				1	1	1421-433-0171-0
31-10	1862541	BOLT/M10×25 9T		8		8				8	8	V20146-100250
31-11	1860404	WASHER, SP/M10		8		8				8	8	V40116-001000
31-12	1860736	NIPPLE, GREASE		2		2				2	2	V76140-000000
31-13	1862551	PIN, A/10×22		2		2				2	2	V52010-100220
31-14	1863003	COVER, WHEEL SHAFT		2		2				2	2	1421-433-0241-0
31-15	USE 1863003	COVER, WHEEL SHAFT										
31-16	1862554	PIN, A/8×22		4		4				4	4	V52010-080220
31-17	1863005	PACKING, COVER B		2		2				2	2	1421-433-0261-0
31-18	1860741	PLUG		4		4				4	4	V78110-000080
31-19	1860251	BOLT/M10×25		24		24				24	24	V20126-100250
31-20	1860404	WASHER, SP/M10		24		24				24	24	V40116-001000
31-21	1863006	ARM, KNUCKLE LH		1		1				1	1	1421-433-0270-0
31-22	1863007	ARM, KNUCKLE RH		1		1				1	1	1421-433-0280-0
31-23	1862541	BOLT/M10×25 9T		8		8				8	8	V20146-100250
31-24	1860404	WASHER, SP/M10		8		8				8	8	V40116-001000
31-25	1863008	ROD, TIE		1		1				1	1	1421-433-0290-0
31-26	1862379	NUT/M17		1		1				1	1	1421-403-0010-0
31-27	1862378	NUT, LH THREAD/M17		1		1				1	1	1421-403-0020-0
31-28	1862381	END, ROD ASSY		1		1				1	1	1421-400-0540-0
31-29	1862382	END, ROD ASSY		1		1				1	1	1421-400-0550-0
31-30	1862383	*COVER, DUST		2		2				2	2	1404-402-0010-0
31-31	1862384	*NUT, SLOTTED/M12		2		2				2	2	1421-403-0030-0
31-32	1860506	*PIN, SPLIT/3×20		2		2				2	2	V50015-300200
31-33	1871420	*NIPPLE, GREASE		2		2				2	2	1404-402-0050-0

**Fig.32 FRONT WHEEL (2WD)**



Ref No.	Parts Code	Name	Q'ty								Parts Code
			TS1910				TS2220				
			G	GLF	GB	GLFB	S	SB	LF	LFB	
32- 0-1	*	TIRE, F SET	1		1			1	1		
32- 0-2	*	*TIRE, F ASSY	2		2			2	2		1429-411-2000-0
32- 1	1871938	** DRUM, WHEEL/DC300D×12	2		2			2	2		1429-411-2100-1
32- 2	1860805	** TIRE/4.00-12 4PR	2		2			2	2	E31	V88814-400120
32- 3	1860808	** TUBE/4.00-12	2		2			2	2		V88900-400120
32- 4	1860908	** CAP, TIRE VALVE	2		2			2	2		V99930-000100
32- 0-3	*	TIRE, TURF SET	1		1			1	1		
32- 0-4	*	*TIRE, TURF LH ASSY	1		1			1	1		1422-465-2100-0
32- 0-5	*	*TIRE, TURF RH ASSY	1		1			1	1		1422-465-2200-0
32- 5	1862564	** DRUM, WHEEL/DC6.00I×10	2		2			2	2	E32	1422-465-2110-1
32- 6	1871694	** TIRE, TURF/20×8.00-10	2		2			2	2		1427-332-2110-0
32- 7	1860930	** VALVE/TR413	2		2			2	2		3560-103-3050-0
32- 8	1860908	** CAP, TIRE VALVE	2		2			2	2		V99930-000100
32- 9	1860230	BOLT/M12×25	8		8			8	8		V20126-120250
32-10	1860405	WASHER, SP/M12	8		8			8	8		V40116-001200
32-11	1871439	BOSS, F WHEEL	2		2			2	2		1412-411-0010-1
32-12	1871435	CAP, WHEEL	2		2			2	2		1411-411-0020-2
32-13	1871436	PACKING	2		2			2	2		1411-411-0030-0
32-14	1860201	BOLT/M6×12	6		6			6	6		V20026-060120
32-15	1860402	WASHER, SP/M6	6		6			6	6		V40116-000600

**Fig.33 FRONT WHEEL (4WD)**

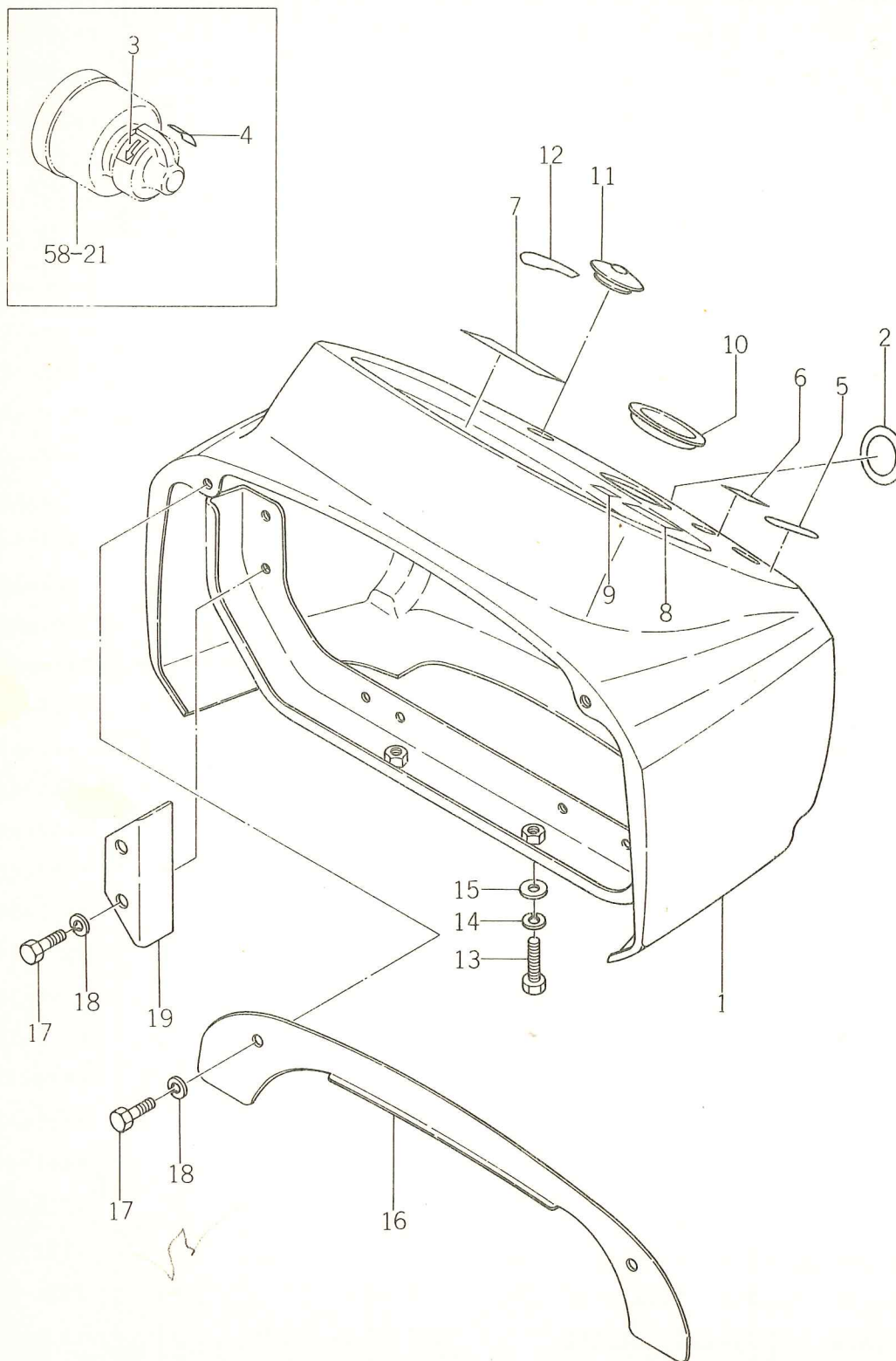


Ref No.	Parts Code	Name	Q'ty								Parts Code		
			TS1910				TS2220						
			G	GLF	GR	GLFB	S	SB	LF	LFB			
33- 0-1	*	TIRE, F SET					1				1	1	
33- 0-2	*	•TIRE, F LH ASSY					1				1	1	1421-438-2000-0
33- 0-3	*	•TIRE, F RH ASSY					1				1	1	1421-438-2200-0
33- 1	1863028	•• RIM, F WHEEL/5-J 4					2				2	2	E31 1421-438-2100-1
33- 2	1863029	•• TIRE/6-14 4PR					2				2	2	1421-438-2010-0
33- 3	1862566	•• TUBE/6-14					2				2	2	V88300-006140
33- 4	1860908	•• CAP, TIRE VALVE					2				2	2	V99930-000100
33- 5	1863032	SHAFT, WHEEL					2				2	2	1421-433-0190-0
33- 6	1862567	SEAL, OIL/VC50726					2				2	2	V74215-072060
33- 7	1862568	SEAL, OIL/JC507212					2				2	2	V74415-072120
33- 8	1860254	BOLT/M12 25	12	12	12	12	12	12	12	12	12	12	E31 V20146-120250
33- 9	1860405	WASHER, SP/M12	12	12	12	12	12	12	12	12	12	12	V40116-001200



Ref No.	Parts Code	Name	Qty								Parts Code
			TS1910				TS2220				
			G	GLF	GR	GLFB	S	SB	LF	LFB	
34- 1	1862414	STEERING ASSY	1	1	1	1	1	1	1	1	1421-400-0510-0
34- 2	1861024	BALL, NUT ASSY	1	1	1	1	1	1	1	1	1421-406-0060-0
34- 3	1861025	BEARING, RB	2	2	2	2	2	2	2	2	1429-406-2030-0
34- 4	1861023	SHAFT, SECTOR	1	1	1	1	1	1	1	1	1421-406-0070-0
34- 5	1861032	COLUMN ASSY	1	1	1	1	1	1	1	1	1421-406-0080-0
34- 6	1861033	COVER, SIDE ASSY	1	1	1	1	1	1	1	1	1421-406-0090-0
34- 7	1861028	BUSH, COLUMN	1	1	1	1	1	1	1	1	1429-406-2050-0
34- 8	1861031	SEAL, OIL	1	1	1	1	1	1	1	1	1429-406-2070-0
34- 9	1861028	PACKING, SIDE COVER	1	1	1	1	1	1	1	1	1421-406-0110-0
34-10	1861029	SHIM, R. COVER SET	1	1	1	1	1	1	1	1	1429-406-2090-0
34-11	1861030	SCREW, ADJ.	1	1	1	1	1	1	1	1	1429-406-2110-0
34-12	1861034	SHIM, ADJSCREW SET	1	1	1	1	1	1	1	1	1429-406-2140-0
34-13	1861027	SEAL, OIL	1	1	1	1	1	1	1	1	1429-406-2060-0
34-14	1861035	BOLT	8	8	8	8	8	8	8	8	1429-406-2130-0
34-15	1861036	NUT	1	1	1	1	1	1	1	1	1429-406-2150-0
34-16	1860403	WASHER, SP/M8	8	8	8	8	8	8	8	8	V401-160-0080-0
34-17	1873288	PLUG	1	1	1	1	1	1	1	1	V781-100-0004-0
34-18	1860923	NUT/M20	1	1	1	1	1	1	1	1	1414-406-0050-0
34-19	1861037	WASHER, SP/M20	1	1	1	1	1	1	1	1	V401-160-0200-0
34-20	1861038	ARM, PITMAN	1	1	1	1	1	1	1	1	1421-406-0020-0
34-21	1871468	WHEEL, STEERING ASSY	1	1	1	1	1	1	1	1	1421-400-0520-0
34-22	1871428	CAP, STEERING	1	1	1	1	1	1	1	1	1407-406-0020-0
34-23	1871429	PACKING, CAP	1	1	1	1	1	1	1	1	1407-406-0040-0
34-24	1861039	MARK, CAP	1	1	1	1	1	1	1	1	1421-903-0160-0
34-25	1860317	NUT, SLOTTED/M10	1	1	1	1	1	1	1	1	V321-260-0100-0
34-26	1862569	PIN, SPLIT/2 x 25	1	1	1	1	1	1	1	1	V500-152-0025-0
34-27	1860415	WASHER, M10	1	1	1	1	1	1	1	1	V413-160-0100-0
34-28	1862570	PIN, SPRING/W 10 x 24	2	2	2	2	2	2	2	2	V580-141-0024-0
34-29	1862541	BOLT/M10 x 25	4	4	4	4	4	4	4	4	V201-461-0025-0
34-30	1860404	WASHER, SP/M10	4	4	4	4	4	4	4	4	V401-160-0100-0
34-31	1871308	COLLAR	2				2				1325-930-1050-0
34-32	1862571	ROD, DRAG ASSY	1				1				1422-460-2000-0
34-32-1	1862418	ROD, DRAG ASSY		1					1		1421-437-2002-0
34-33	1871420	NIPPLE, GREASE	2	2	2	2	2	2	2	2	1404-402-0050-0
34-34	1862383	COVER, DUST	2	2	2	2	2	2	2	2	1404-402-0010-0
34-35	1862420	NUT, SLOTTED/M12	2	2	2	2	2	2	2	2	1404-402-0020-0
34-36	1860506	PIN/3 x 20	2	2	2	2	2	2	2	2	V500-153-0020-0

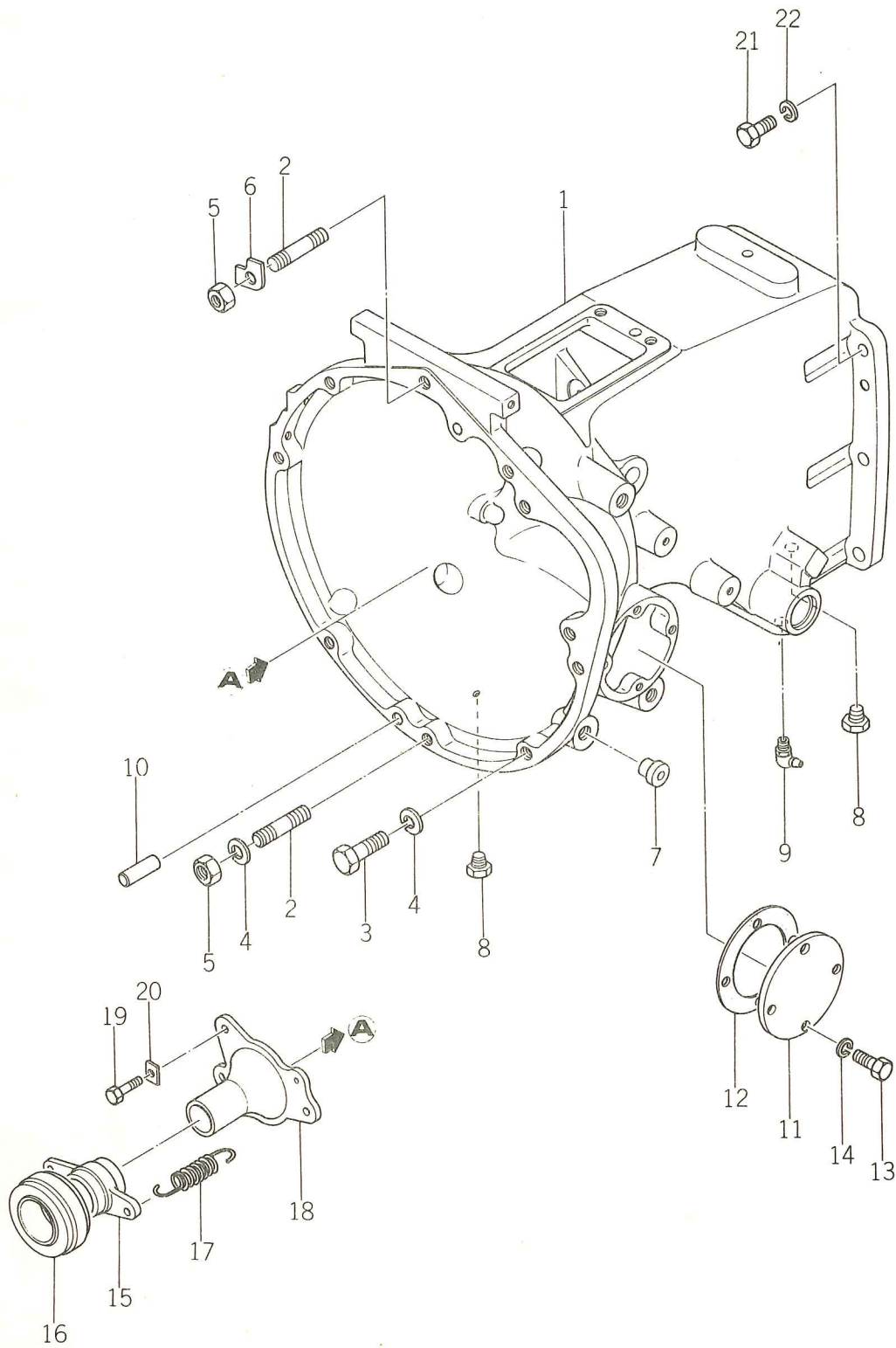
**Fig.35 METER PANEL**





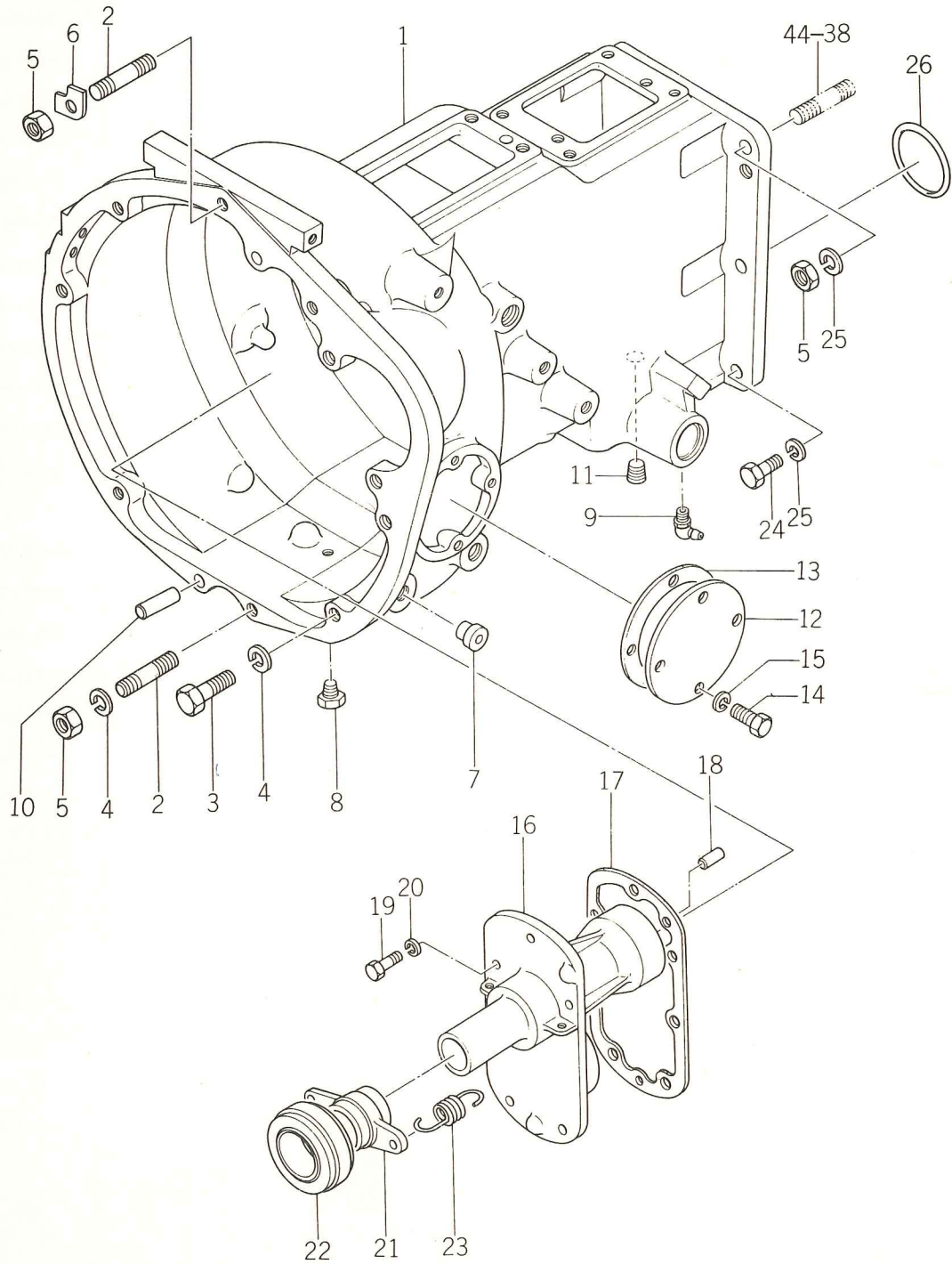
Ref No.	Parts Code	Name	Q'ty								Parts Code	
			TS1910				TS2220					
			G	GLF	GB	GLFB	S	SB	LF	LFB		
35- 1	1862575	PANEL, METER	1	1	1	1	1	1	1	1	1	1422-661-2000-2
35- 2	1862580	MARK, KEY SWITCH	1	1	1	1	1	1	1	1	1	1422-940-0080-0
35- 3	1871920	MARK, STARTER A	1	1	1	1	1	1	1	1	1	1427-941-0190-0
35- 4	1871921	MARK, STARTER B	1	1	1	1	1	1	1	1	1	1427-941-0210-0
35- 5	1862581	MARK, BLINKER	1	1	1	1	1	1	1	1	1	1422-940-0070-0
35- 6	1871922	MARK, HORN	1	1	1	1	1	1	1	1	1	1427-941-0220-0
35- 7	1862585	MARK, LAMP	1	1	1	1	1	1	1	1	1	1422-940-0120-0
35- 8	1862586	MARK, WARNING SWITCH	1	1	1	1	1	1	1	1	1	1422-940-0131-0
35- 9	1862589	MARK, GLOW	1	1	1	1	1	1	1	1	1	1422-940-0110-0
35-10	1862433	BUSH, STEERING	1	1	1	1	1	1	1	1	1	1421-603-0010-0
35-11	1862436	BUSH, LEVER	1	1	1	1	1	1	1	1	1	1421-603-0040-0
35-12	1862590	MARK, THROTTLE	1	1	1	1	1	1	1	1	1	1422-940-0090-0
35-13	1860217	BOLT/M8×25	2	2	2	2	2	2	2	2	2	V20126-080250
35-14	1860403	WASHER, SP/M8	2	2	2	2	2	2	2	2	2	V40116-000800
35-15	1862432	WASHER	2	2	2	2	2	2	2	2	2	3740-314-0170-0
35-16	1862434	PLATE, R SEAL	1	1	1	1	1	1	1	1	1	1421-603-0020-0
35-17	1860202	BOLT/M6×16	4	4	4	4	4	4	4	4	4	V20026-060160
35-18	1860402	WASHER, SP/M6	4	4	4	4	4	4	4	4	4	V40116-000600
35-19	1862435	STAY	1	1	1	1	1	1	1	1	1	1421-603-0030-0

**Fig.36 CLUTCH HOUSING (2WD)**



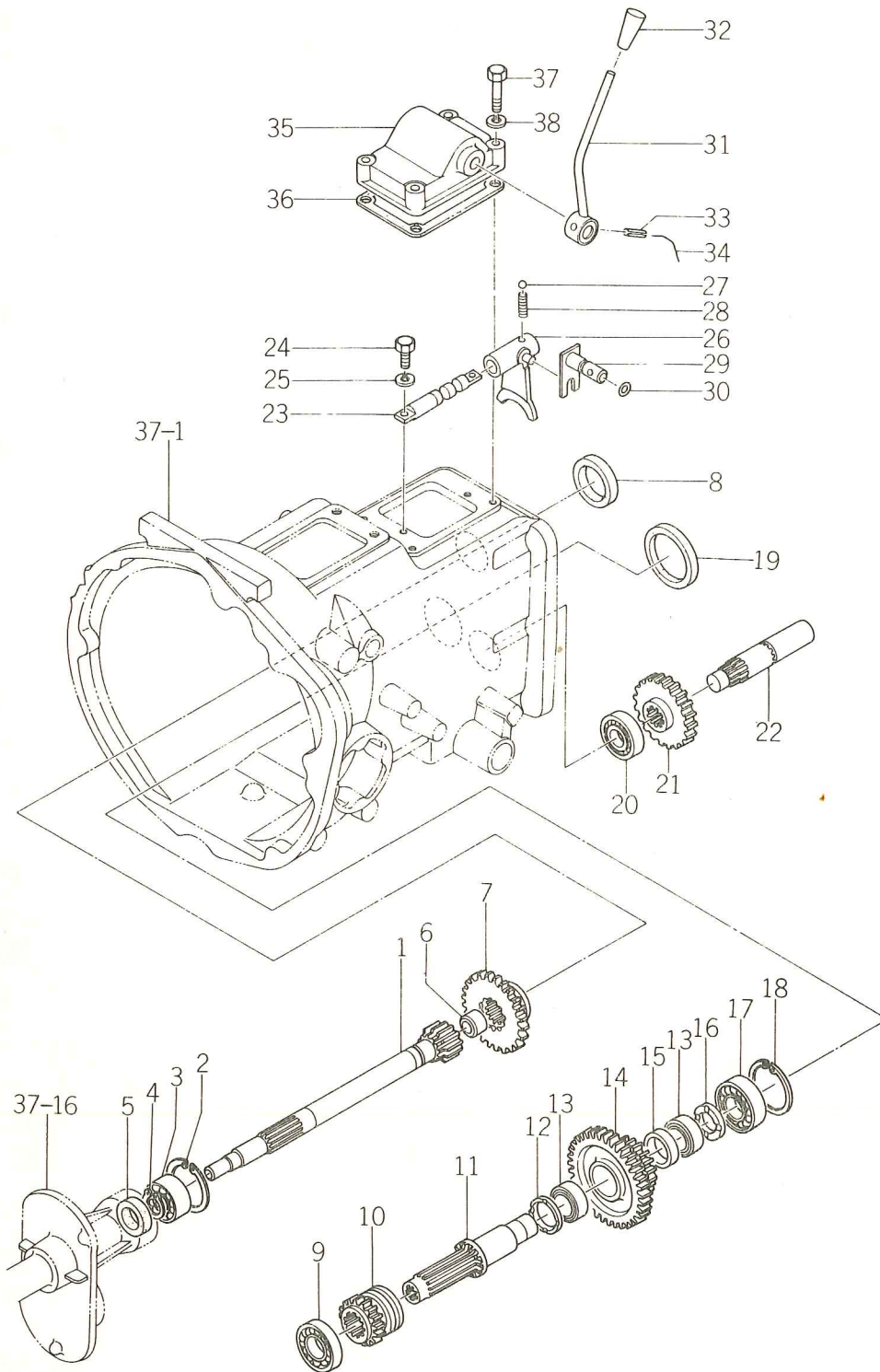
Ref No.	Parts Code	Name	Qty								Parts Code	
			TS1910				TS2220					
			G	GLF	GB	GLFB	S	SB	LF	LFB		
36- 1	1862591	HOUSING, CLUTCH	1		1			1	1			1421-120-0012-0
36- 2	1862592	STUD/M12×28 9T	3		3			3	3			V25144-120280
36- 3	1860239	BOLT/M12×30 9T	5		5			5	5			V20146-120300
36- 4	1860405	WASHER, SP/M12	8		8			8	8			V40116-001200
36- 5	1862594	NUT/M12 7T	3		3			3	3			V30346-001200
36- 6	1862442	WASHER, LOCK/M12	1		1			1	1			1404-120-0090-0
36- 7	1871691	CAP, BLANK/M14	6		6			6	6			1427-317-0040-0
36- 8	1871309	PLUG, DRAIN	2		2			2	2			1326-706-0020-0
36- 9	1860737	NIPPLE, GREASE	2		2			2	2			V76340-000000
36-10	1862551	PIN, A/10×22	1		1			1	1			V52010-100220
36-11	1862443	COVER, INSPECTION	1		1			1	1			1416-120-0020-0
36-12	1862444	PACKING	1		1			1	1			1416-120-0030-0
36-13	1860214	BOLT/M8×16	4		4			4	4			V20126-080160
36-14	1860403	WASHER, SP/M8	4		4			4	4			V40116-000800
36-15	1862448	SLEEVE	1		1			1	1			1421-120-0040-0
36-16	1871457	BEARING, CLUTCH RELEASE	1		1			1	1			1416-120-0040-0
36-17	1862598	SPRING, TENSION/51	2		2			2	2			1421-120-0050-0
36-18	1862599	GUIDE, SLEEVE	1		1			1	1			1421-120-0020-0
36-19	1862608	BOLT, REAMER	3		3			3	3			1421-120-0030-0
36-20	1862610	WASHER, LOCK/M8	3		3			3	3			1417-201-0030-0
36-21	1860409	BOLT/M12×35 9T	6		6			6	6			V20146-120350
36-22	1860405	WASHER, SP/M12	6		6			6	6			V40116-001200

**Fig.37 CLUTCH HOUSING (4WD)**



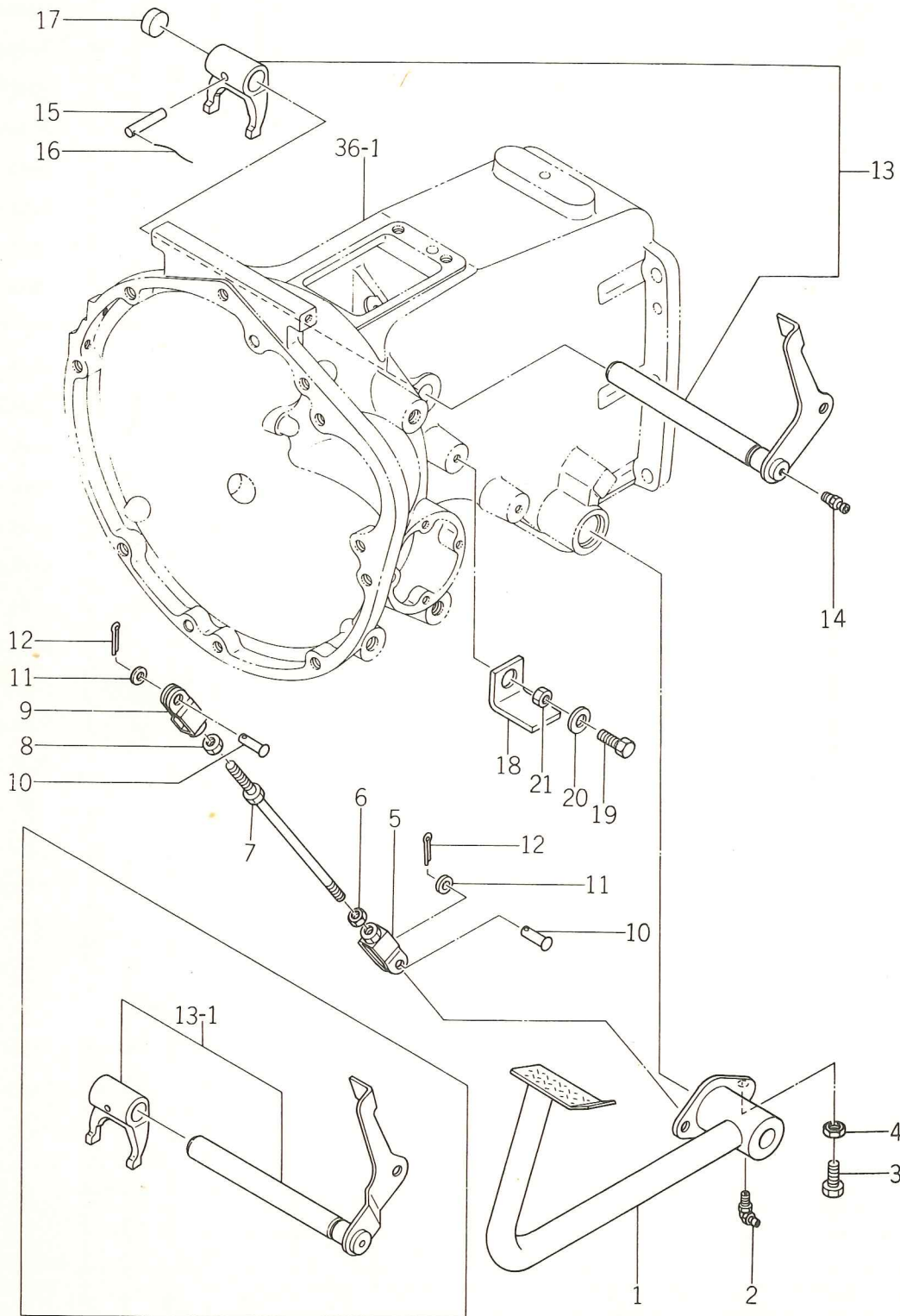
Ref No.	Parts Code	Name	Q'ty								Parts Code	
			TS1910				TS2220					
			G	GLF	GR	GLFB	S	SB	LF	LFB		
37- 1	1862441	HOUSING, CLUTCH		1		1				1	1	1421-134-0011-0
37- 2	1862592	STUD/M12×28 9T		3		3				3	3	V25144-120280
37- 3	1860239	BOLT/M12×30 9T		5		5				5	5	V20146-120300
37- 4	1860405	WASHER, SP/M12		8		8				8	8	V40116-001200
37- 5	1862594	NUT/M12 7T		5		5				5	5	V30346-001200
37- 6	1862442	WASHER, LOCK/M12		1		1				1	1	1404-120-0090-0
37- 7	1871691	CAP, BLANK/M14		6		6				6	6	1427-317-0040-0
37- 8	1871309	PLUG, DRAIN		1		1				1	1	1326-706-0020-0
37- 9	1860737	NIPPLE, GREASE		2		2				2	2	V76340-000000
37-10	1862595	PIN, A/10×22		1		1				1	1	V52010-100220
37-11	1862615	PLUG		1		1				1	1	V78110-000060
37-12	1862443	COVER, INSPECTION		1		1				1	1	1416-120-0020-0
37-13	1862444	PACKING		1		1				1	1	1416-120-0030-0
37-14	1860214	BOLT/M8×16		4		4				4	4	V20126-080160
37-15	1860403	WASHER, SP/M8		4		4				4	4	V40116-000800
37-16	1862446	METAL, SLEEVE		1		1				1	1	1421-134-0021-0
37-17	1862447	PACKING, METAL A		1		1				1	1	1430-121-0030-0
37-18	1862616	PIN, A/8×16		2		2				2	2	V52010-080160
37-19	1860216	BOLT/M8×20		7		7				7	7	V20126-080200
37-20	1860403	WASHER, SP/M8		7		7				7	7	V40116-000800
37-21	1862448	SLEEVE		1		1				1	1	1421-120-0040-0
37-22	1871457	BEARING, CLUTCH RELEASE		1		1				1	1	1416-120-0040-0
37-23	1862449	SPRING, TENSION/43		2		2				2	2	1430-121-0040-0
37-24	1862609	BOLT/M12×35		4		4				4	4	V20146-120350
37-25	1860405	WASHER, SP/M12		6		6				6	6	V40116-001200
37-26	1862617	O-RING/G60		1		1				1	1	V72110-310600

**Fig.38 CLUTCH HOUSING GEAR (4WD)**



Ref No.	Parts Code	Name	Q'ty								Parts Code	
			TS1910				TS2220					
			G	GLF	GB	GLFB	S	SB	LF	LFB		
38- 1	1862450	GEAR, INPUT/12T		1		1				1	1	1430-121-0052-0
38- 2	1860910	RING, SNAP/C 52		1		1				1	1	V70514-005200
38- 3	1862618	BEARING, RB/5205		1		1				1	1	V60611-052050
38- 4	1860706	RING, SNAP/C 25		1		1				1	1	V70414-002500
38- 5	1862619	SEAL, OIL/TC25428		1		1				1	1	V74412-542080
38- 6	1862627	BEARING, NR/TA1620		1		1				1	1	V65331-624200
38- 7	1862451	GEAR, SHIFT/29T		1		1				1	1	1430-121-0060-0
38- 8	1862632	SEAL, OIL/SC385610		1		1				1	1	V74013-856100
38- 9	1860607	BEARING, RB/6205		1		1				1	1	V60011-062050
38-10	1862671	GEAR, SHIFT/16T		1		1				1	1	1422-161-0010-0
38-11	1862453	SHAFT, COUNTER		1		1				1	1	1421-134-0030-0
38-12	1862467	COLLAR/30×42×4		1		1				1	1	1421-134-0050-0
38-13	1862636	BEARING, NR/KT303517		2		2				2	2	V65443-035170
38-14	1862455	GEAR, COUNTER/35-17T		1		1				1	1	1421-134-0061-0
38-15	1862468	COLLAR/30×34×10		1		1				1	1	1421-134-0070-0
38-16	1862466	COLLAR/25×40×4		1		1				1	1	1421-134-0040-0
38-17	1862638	BEARING, RB/6305		1		1				1	1	V60011-063050
38-18	1860714	RING, SNAP/C 62		1		1				1	1	V70514-006200
38-19	1862651	SEAL, OIL/SC527210		1		1				1	1	V74015-272100
38-20	1860612	BEARING, RB/6304		1		1				1	1	V60011-063040
38-21	1862456	GEAR, PTO DRIVE/20T		1		1				1	1	1421-211-0021-0
38-22	1862470	SHAFT, PTO DRIVE A		1		1				1	1	1430-211-2000-0
38-23	1862459	STAY, CREEP SHIFTER		1		1				1	1	1430-121-0120-0
38-24	1862652	BOLT/M8×20		2		2				2	2	V20146-080200
38-25	1860403	WASHER, SP/M8		2		2				2	2	V40116-000800
38-26	1862460	SHIFTER, CREEP		1		1				1	1	1430-121-0130-0
38-27	1862660	BALL		1		1				1	1	V68020-000130
38-28	1862461	SPRING, SHIFTER		1		1				1	1	1415-210-0020-0
38-29	1862462	ARM, CREEP SHIFT		1		1				1	1	1430-121-2000-0
38-30	1862661	O-RING/P12		1		1				1	1	V72010-240120
38-31	1862463	LEVER, CREEP		1		1				1	1	1430-121-2100-0
38-32	1874100	KNOB		1		1				1	1	4106-105-3030-0
38-33	1860514	PIN, SPRING/W 6×28		1		1				1	1	V58014-060280
38-34		WIRE/0.9×150		1		1				1	1	
38-35	1862464	METAL, CREEP		1		1				1	1	1430-121-0090-0
38-36	1862465	PACKING, METAL B		1		1				1	1	1430-121-0110-0
38-37	1862670	BOLT/M8×45		4		4				4	4	V20126-080450
38-38	1860403	WASHER, SP/M8		4		4				4	4	V40116-000800

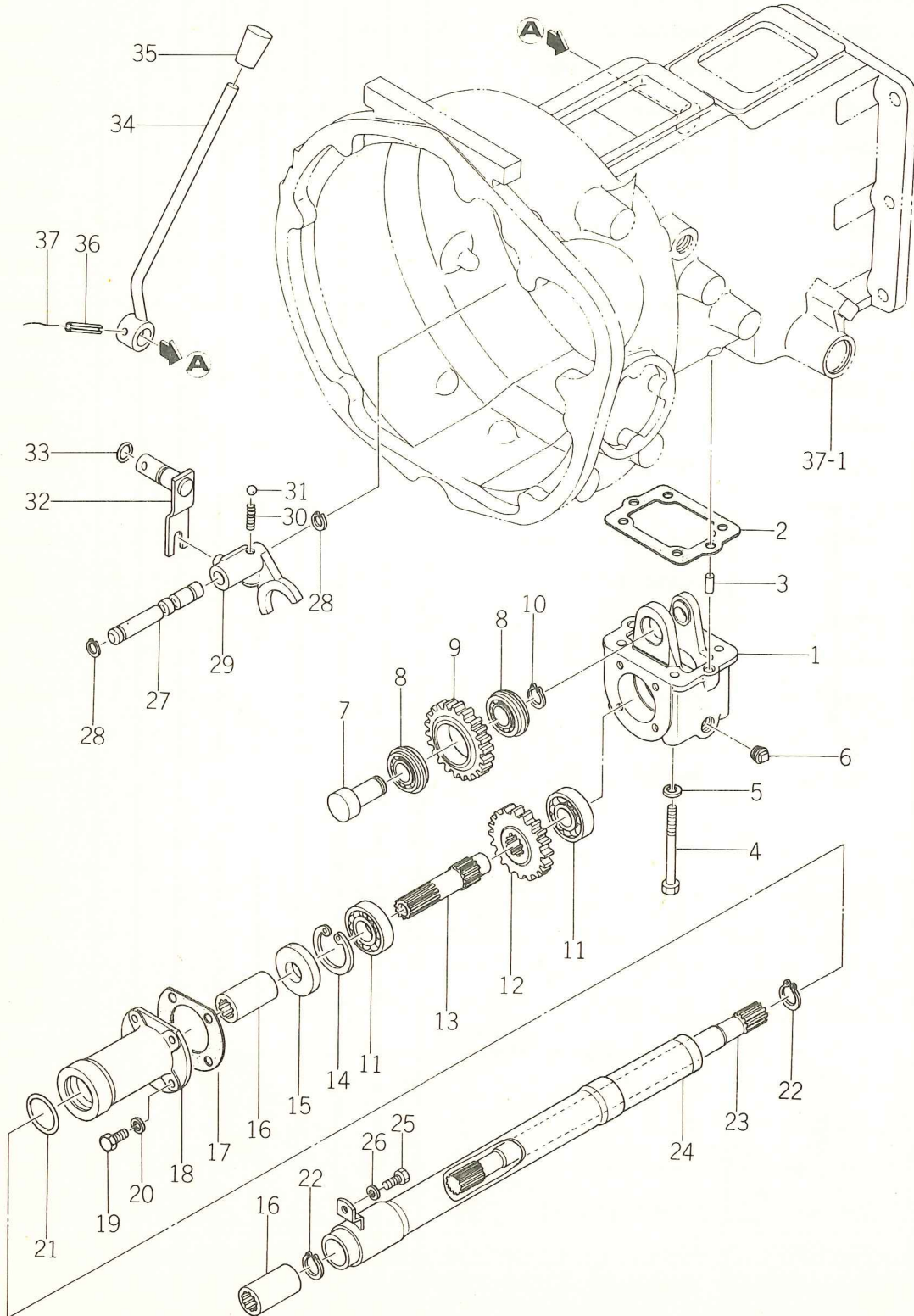
**Fig.39 CLUTCH PEDAL**





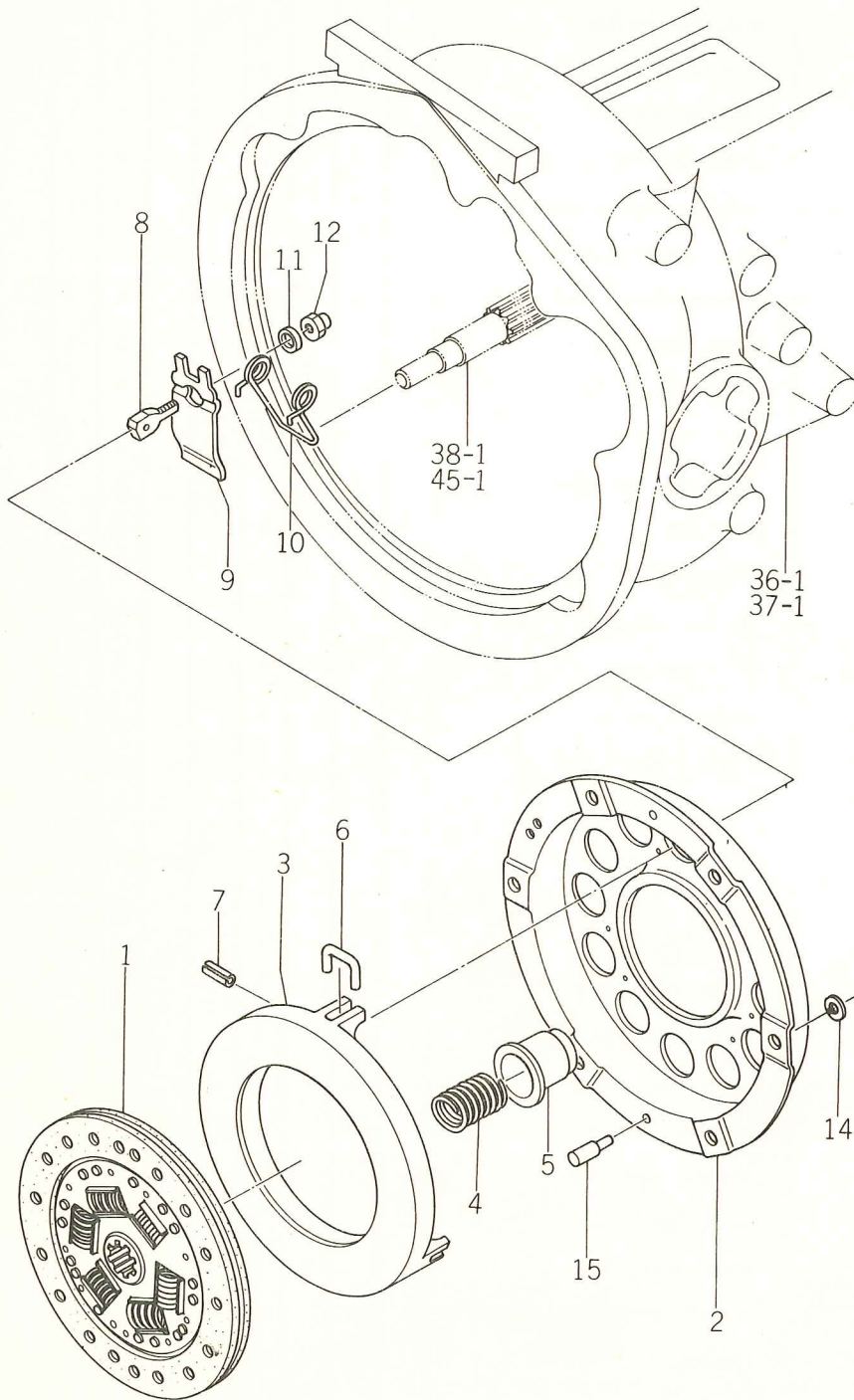
Ref No.	Parts Code	Name	Qty								Parts Code	
			TS1910				TS2220					
			G	GLF	GB	GLFB	S	SB	LF	LFB		
39- 1	1862471	PEDAL, CLUTCH	1	1	1	1	1	1	1	1	1	1421-122-2000-0
39- 2	1860737	NIPPLE, GREASE	1	1	1	1	1	1	1	1	1	V76340-000000
39- 3	1860218	BOLT/M8×30	1	1	1	1	1	1	1	1	1	V20126-080300
39- 4	1860310	NUT/M8	1	1	1	1	1	1	1	1	1	V30226-000800
39- 5	1862472	YOKE, RH THREAD	1	1	1	1	1	1	1	1	1	1430-122-2300-0
39- 6	1860310	NUT/M8	1	1	1	1	1	1	1	1	1	V30226-000800
39- 7	1862473	ROD, CLUTCH	1	1	1	1	1	1	1	1	1	1430-122-2100-0
39- 8	1871401	NUT, LH THREAD/M8	1	1	1	1	1	1	1	1	1	1401-122-0050-0
39- 9	1862474	YOKE, LH THREAD	1	1	1	1	1	1	1	1	1	1430-122-2200-0
39-10	1862475	PIN/8×23	2	2	2	2	2	2	2	2	2	1426-128-0010-0
39-11	1860414	WASHER/M8	2	2	2	2	2	2	2	2	2	V41316-000800
39-12	1860502	PIN, SPLIT/2×18	2		2		2	2				V50015-200180
39-12-1	1860501	PIN, SPLIT/2×15		2		2			2	2		V50015-200150
39-13	1862673	SHAFT, CLUTCH SET	1		1		1	1				1421-012-2001-0
39-13-1	1862476	SHAFT, CLUTCH SET		1		1			1	1		1430-012-2000-0
39-14	1862672	NIPPLE, GREASE	1	1	1	1	1	1	1	1	1	V76740-000000
39-15	1862477	PIN, CLUTCH YOKE	1	1	1	1	1	1	1	1	1	1404-101-0010-0
39-16		WIRE/1.2×150	1	1	1	1	1	1	1	1	1	
39-17	1862478	CAP, SEAL		1		1			1	1		1415-122-0020-0
39-18	1862479	ARM, CUT-OFF	1	1	1	1	1	1	1	1	1	1430-122-0010-0
39-19	1860216	BOLT/M8×20	1	1	1	1	1	1	1	1	1	V20126-080200
39-20	1862480	WASHER	1	1	1	1	1	1	1	1	1	3560-201-0150-0
39-21	1860304	NUT/M8	1	1	1	1	1	1	1	1	1	V30026-000800

**Fig.40 DRIVE SHAFT SYSTEM (4WD)**



Ref No.	Parts Code	Name	Q'ty								Parts Code	
			TS1910				TS2220					
			G	GLF	GB	GLFB	S	SB	LF	LFB		
40- 1	1862674	CASE, F		1		1				1	1	1422-161-0020-0
40- 2	1862982	PACKING, CASE		1		1				1	1	1421-134-0110-0
40- 3	1862616	PIN, A/8×16		2		2				2	2	V52010-080160
40- 4	1862680	BOLT/M8×85 9T		4		4				4	4	V20146-080850
40- 5	1860403	WASHER, SP/M8		4		4				4	4	V40116-000800
40- 6	1862615	PLUG		1		1				1	1	V78110-000060
40- 7	1862984	PIN, COUNTER		1		1				1	1	1421-134-0130-0
40- 8	1862683	BEARING, RB/6203NR		2		2				2	2	V60711-062030
40- 9	1862675	GEAR, COUNTER/24T		1		1				1	1	1422-161-0030-0
40-10	1860738	RING, SNAP/C 17		1		1				1	1	V70414-001700
40-11	1860606	BEARING, RB/6204		2		2				2	2	V60011-062040
40-12	1862677	GEAR, DRIVE/17T		1		1				1	1	1422-161-0040-0
40-13	1862987	SHAFT, DRIVE A		1		1				1	1	1421-134-0150-0
40-14	1860713	RING, SNAP/C 47		1		1				1	1	V70514-004700
40-15	1862685	SEAL, OIL/SC20477		1		1				1	1	V74012-047070
40-16	1862989	COUPLING		2		2				2	2	1421-134-0190-0
40-17	1862991	PACKING, COVER		1		1				1	1	1421-134-0220-0
40-18	1862990	COVER, METAL		1		1				1	1	1421-134-0210-0
40-19	1860216	BOLT/M8×20		4		4				4	4	V20126-080200
40-20	1860403	WASHER, SP/M8		4		4				4	4	V40116-000800
40-21	1862543	O-RING/P35		1		1				1	1	V72010-350350
40-22	1860704	RING, SNAP/C 20		2		2				2	2	V70414-002000
40-23	1862988	SHAFT, DRIVE B		1		1				1	1	1421-134-0180-0
40-24	1862992	COVER, SHAFT		1		1				1	1	1421-134-2200-0
40-25	1860214	BOLT/M8×16		1		1				1	1	V20126-080160
40-26	1860403	WASHER, SP/M8		1		1				1	1	V40116-000800
40-27	1862993	STAY, SHIFTER F		1		1				1	1	1421-134-0160-0
40-28	1860701	RING, SNAP/C 12		2		2				2	2	V70414-001200
40-29	1862994	SHIFTER, F.		1		1				1	1	1421-134-0170-0
40-30	1871301	SPRING, SHIFTER		1		1				1	1	1302-225-0030-0
40-31	1860625	BALL, STEEL		1		1				1	1	V68020-000100
40-32	1862995	ARM, SHIFT F.		1		1				1	1	1421-134-2001-0
40-33	1862661	O-RING/P12		1		1				1	1	V72010-240120
40-34	1862996	LEVER, F.		1		1				1	1	1421-134-2101-0
40-35	1874100	KNOB		1		1				1	1	4106-105-3030-0
40-36	1860514	PIN, SPRING/W 6×28		1		1				1	1	V58014-060280
40-37		WIRE/0.9×150		1		1				1	1	

**Fig.41 CLUTCH**

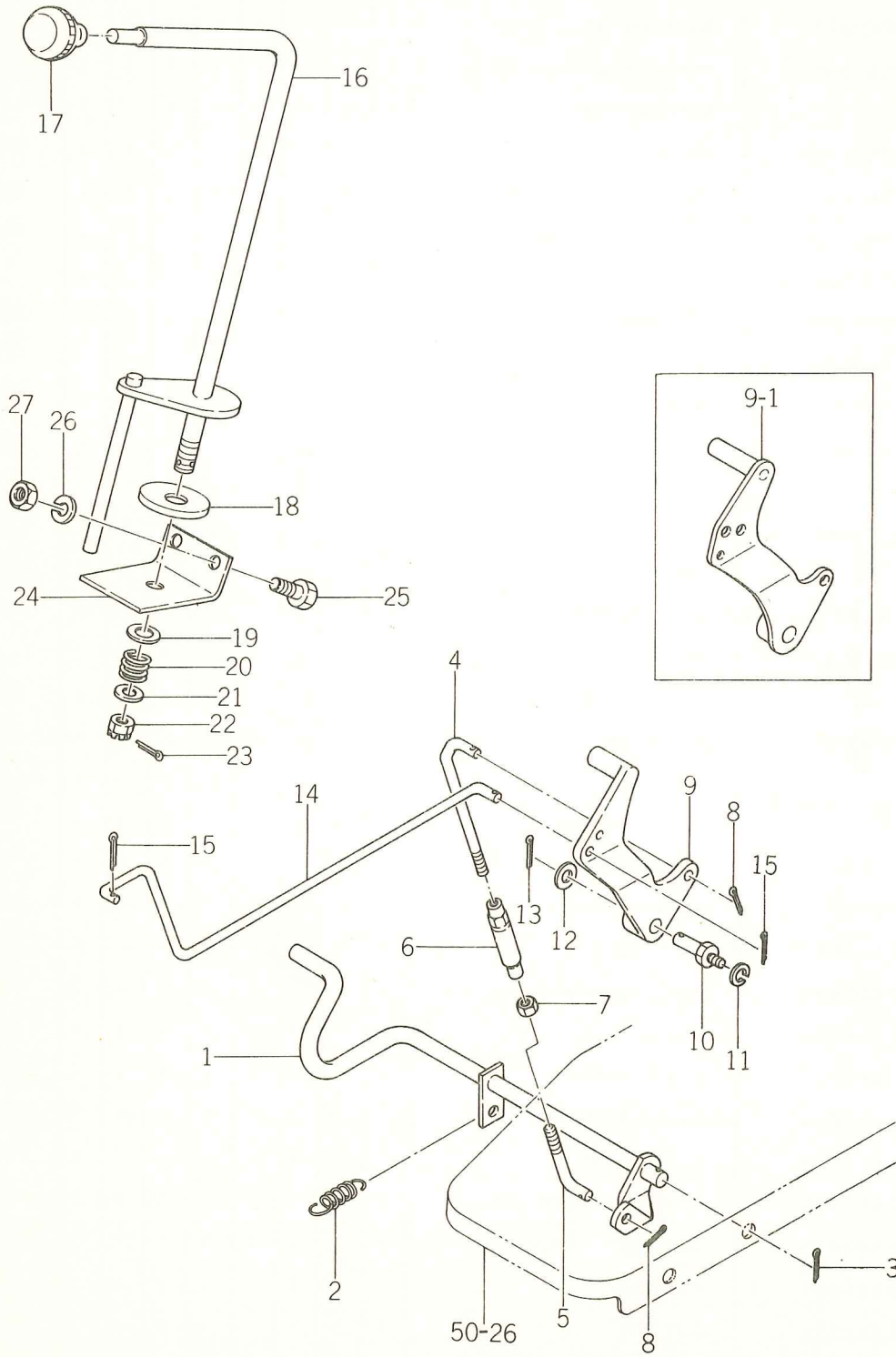


Ref No.	Parts Code	Name	Q'ty								Parts Code	
			TS 1910				TS 2220					
			G	GLF	GR	GLFB	S	SB	LF	LFB		
41- 0-1	1862481	CLUTCH ASSY/200	1	1	1	1	1	1	1	1	1	1416-100-0520-0
41- 1	1862482	*DISK, CLUTCH/200	1	1	1	1	1	1	1	1	1	1416-120-0070-0
41- 0-2	1862483	*PLATE, PRESS ASSY	1	1	1	1	1	1	1	1	1	1416-120-2000-0
41- 2		** COVER, CLUTCH SUB	1	1	1	1	1	1	1	1	1	
41- 3		** PLATE, PRESS	1	1	1	1	1	1	1	1	1	
41- 4		** SPRING, PRESS	9	9	9	9	9	9	9	9	9	
41- 5		** CAP, SPRING	9	9	9	9	9	9	9	9	9	
41- 6		** STOPPER	3	3	3	3	3	3	3	3	3	
41- 7		** PIN, SPRING	3	3	3	3	3	3	3	3	3	
41- 8		** EYEBOLT, LEVER	3	3	3	3	3	3	3	3	3	
41- 9		** LEVER, RELEASE	3	3	3	3	3	3	3	3	3	
41-10		** SPRING, RETURN	3	3	3	3	3	3	3	3	3	
41-11		** WASHER	3	3	3	3	3	3	3	3	3	
41-12		** NUT, LEVER	3	3	3	3	3	3	3	3	3	
41-13	1860217	BOLT/M8×25	6	6	6	6	6	6	6	6	6	V20126-080250
41-14	1860403	WASHER, SP/M8	6	6	6	6	6	6	6	6	6	V40116-000800
41-15	1862495	PIN, KNOCK	2	2	2	2	2	2	2	2	2	1414-120-0120-0



Ref No.	Parts Code	Name	Q'ty								Parts Code	
			TS 1910				TS 2220					
			G	GLF	GB	GLFB	S	SB	LF	LFB		
42- 1	1862496	TANK, FUEL	1	1	1	1						1421-111-1000-0
42- 1-1	1862625	TANK, FUEL					1	1	1	1		1430-111-2000-0
42- 2	1871424	WASHER/8×12×2	1	1	1	1	1	1	1	1		1407-111-0010-0
42- 3	1860208	BOLT/M8×12	1	1	1	1	1	1	1	1		V20026-080120
42- 4	1862690	PIPE/VINYL 6×10×110	1	1	1	1	1	1	1	1		V73506-101100
42- 5		WIRE/0.9×100	2	2	2	2	2	2	2	2		
42- 6	1862689	CAP ASSY	1	1	1	1	1	1	1	1		1421-111-2100-0
42- 7	1862626	PIPE, FUEL RETURN	1	1	1	1	1	1	1	1		1430-102-0010-0
42- 0-1	1862497	COCK, FILTER ASSY	1	1	1	1	1	1	1	1		1421-100-0520-0
42- 8	USE 1862497	•BODY	1	1	1	1	1	1	1	1		
42- 9	1862499	•ELEMENT	1	1	1	1	1	1	1	1		1415-102-0110-0
42-10	1862500	•CUP	1	1	1	1	1	1	1	1		1415-102-0090-0
42-11	1862691	•O-RING/P44	1	1	1	1	1	1	1	1		V72010-350440
42-12	1862501	•NUT, RING	1	1	1	1	1	1	1	1		1415-102-0100-0
42-13		•LEVER	1	1	1	1	1	1	1	1		
42-14	USE 1862497	•VALVE, TAPER	1	1	1	1	1	1	1	1		
42-15		•SPRING, VALVE	1	1	1	1	1	1	1	1		
42-16	1860918	•O-RING/P10A	1	1	1	1	1	1	1	1		V72010-240100
42-17	USE 1862497	•VIS	1	1	1	1	1	1	1	1		
42-18	1862506	•PLUG, BREATHING	2	2	2	2	2	2	2	2		1415-102-0120-0
42-19	1862507	•PACKING	2	2	2	2	2	2	2	2		1415-102-0130-0
42-20		•JOINT, L	1	1	1	1	1	1	1	1		
42-21	USE 1862497	•JOINT, FUEL	1	1	1	1	1	1	1	1		
42-22	1860216	BOLT/M8×20	2	2	2	2	2	2	2	2		V20126-080200
42-23	1860403	WASHER, SP/M8	2	2	2	2	2	2	2	2		V40116-000800
42-24	1860988	PIPE, FUEL A	1	1	1	1	1	1	1	1		1421-102-0011-0
42-25	1860989	PIPE, FUEL B	1	1	1	1	1	1	1	1		1421-102-0021-0
42-26	1862512	BAND, HOSE	3	3	3	3	3	3	3	3		3768-164-0060-0
42-27	1862622	BAND, HOSE/12	1	1	1	1	1	1	1	1		3741-141-0050-0
42-28	1862514	BAND, TANK A	1	1	1	1	1	1	1	1		1415-111-2000-0
42-29	1862515	BAND, TANK	1	1	1	1	1	1	1	1		1421-111-2000-0
42-30	1862620	STOPPER, BAND	1	1	1	1	1	1	1	1		1415-111-0010-0
42-31	1862621	COLLAR/9×14×30	1	1	1	1	1	1	1	1		1415-111-0020-0
42-32	1860304	NUT/M8	1	1	1	1	1	1	1	1		V30026-000800
42-33	1860310	NUT/M8	1	1	1	1	1	1	1	1		V30226-000800
42-34	1862623	COVER, FUEL TANK					1	1	1	1		1430-111-0010-0
42-35	1862624	SEAL					1	1	1	1		1430-111-0020-0
42-36	1860214	BOLT/M8×16					4	4	4	4		V20126-080160
42-37	1860403	WASHER, SP/M8					4	4	4	4		V40116-000800

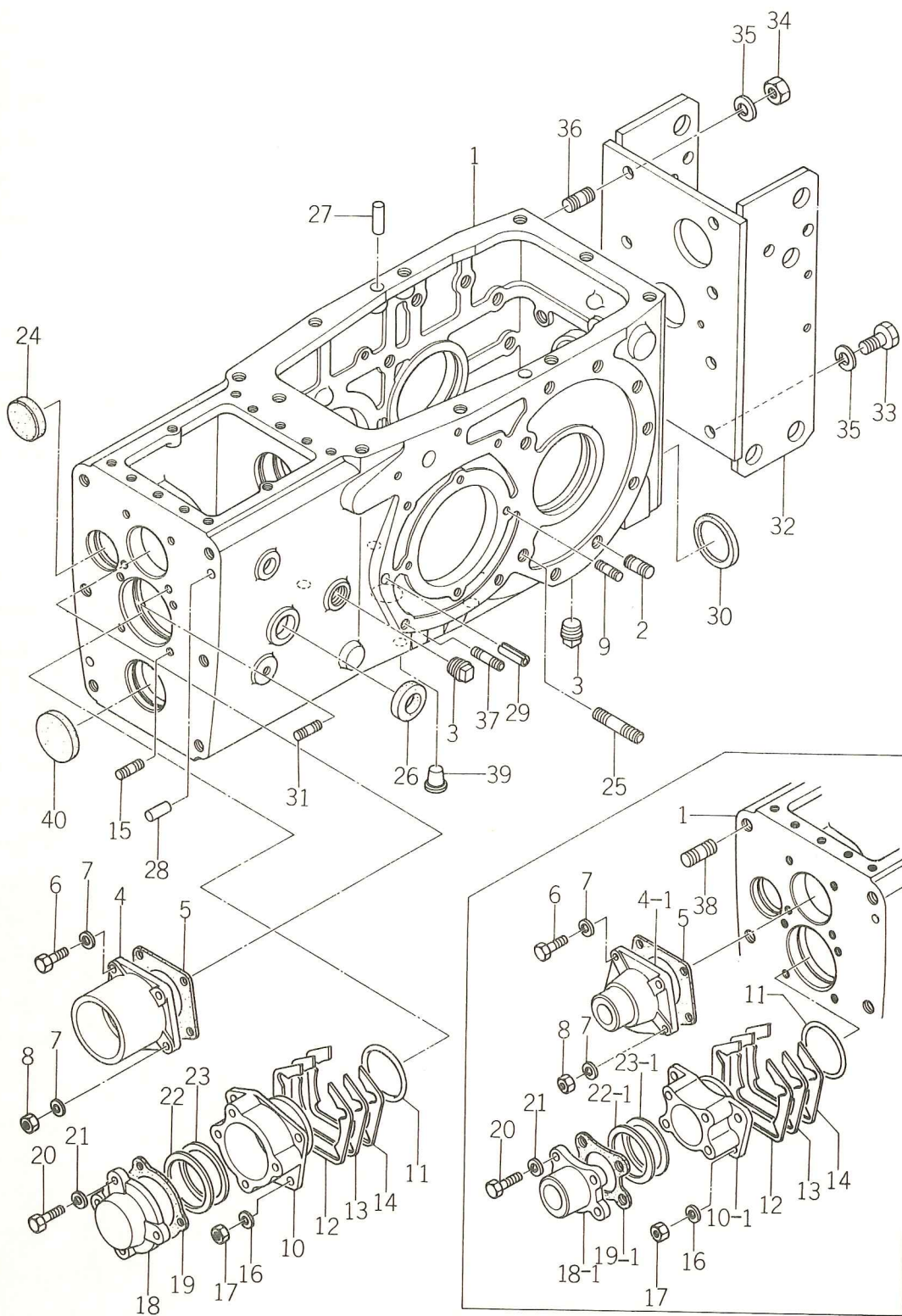
**Fig.43 THROTTLE SYSTEM**





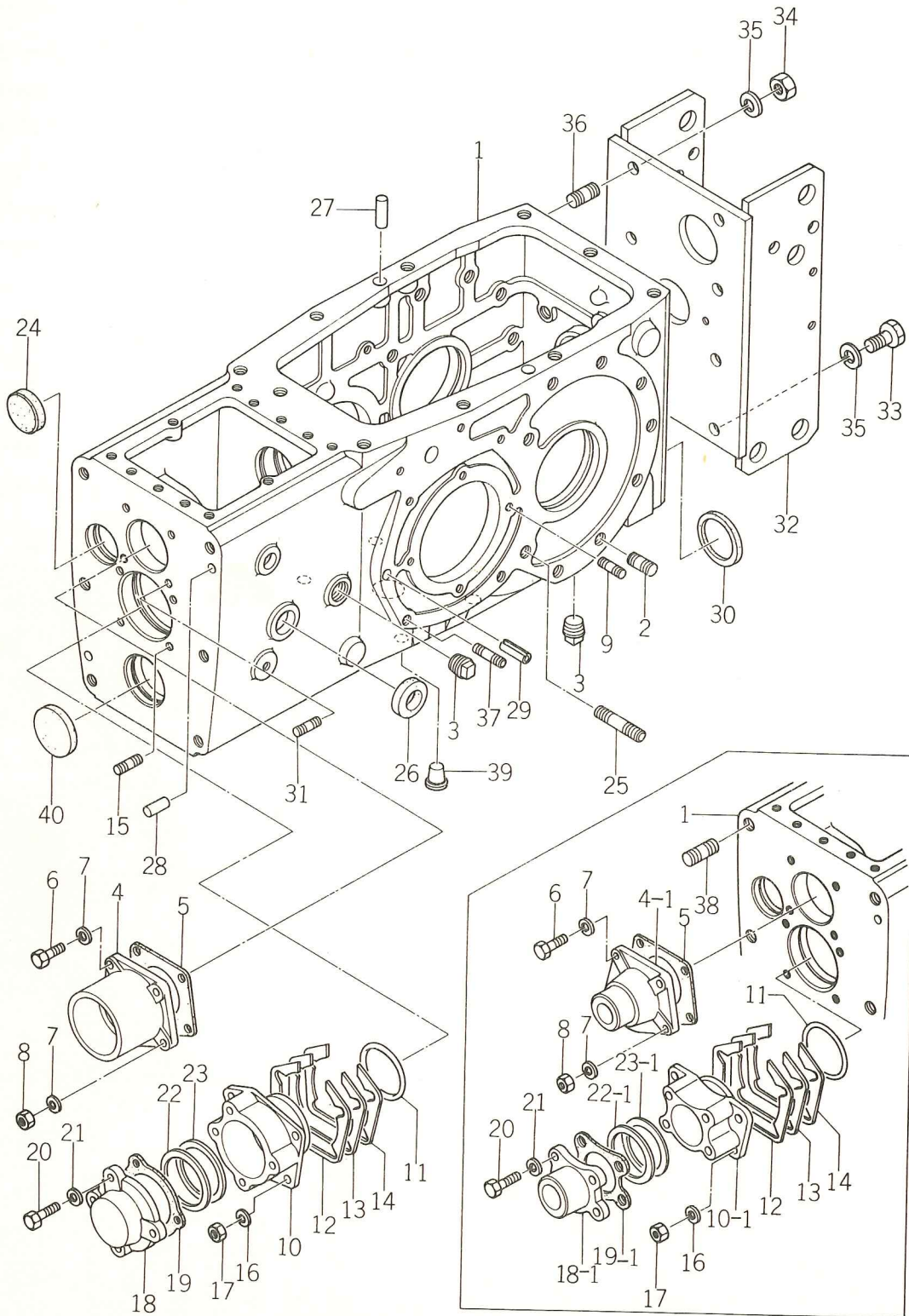
Ref No.	Parts Code	Name	Qty								Parts Code	
			TS1910				TS2220					
			G	GLF	GR	GLFB	S	SB	LF	LFB		
43- 1	1862688	PEDAL, ACCEL	1	1	1	1	1	1	1	1	1	1422-160-2000-0
43- 2	1862628	SPRING, TENSION/65	1	1	1	1	1	1	1	1	1	1416-120-0060-0
43- 3	1860503	PIN, SPLIT/2.5×18	1	1	1	1	1	1	1	1	1	V50015-250180
43- 4	1862629	CONNECTOR, ACCEL A	1	1	1	1	1	1	1	1	1	1415-116-0071-0
43- 5	1871466	CONNECTOR, ACCEL	1	1	1	1	1	1	1	1	1	1421-116-0010-0
43- 6	1871467	TURNBUCKLE/M6	1	1	1	1	1	1	1	1	1	1421-116-0020-0
43- 7	1860303	NUT/M6	1	1	1	1	1	1	1	1	1	V30026-000600
43- 8	1860502	PIN, SPLIT/2×18	2	2	2	2	2	2	2	2	2	V50015-200180
43- 9	1862630	ARM, ACCEL	1	1	1	1	1	1	1	1	1	1421-116-0030-0
43- 9-1	1862692	ARM, ACCEL	1	1	1	1	1	1	1	1	1	1421-116-2000-0
43-10	1862631	PIN, ARM	1	1	1	1	1	1	1	1	1	1416-116-0040-0
43-11	1860403	WASHER, SP/M8	1	1	1	1	1	1	1	1	1	V40116-000800
43-12	1860415	WASHER	1	1	1	1	1	1	1	1	1	V41316-001000
43-13	1860502	PIN, SPLIT/2×18	1	1	1	1	1	1	1	1	1	V50015-200180
43-14	1862637	ROD, ACCEL	1	1	1	1	1	1	1	1	1	1421-116-0041-0
43-15	1860502	PIN, SPLIT/2×18	2	2	2	2	2	2	2	2	2	V50015-200180
43-16	1862633	LEVER, THROTTLE	1	1	1	1	1	1	1	1	1	1421-117-1000-0
43-17	1871440	KNOB, LEVER/30	1	1	1	1	1	1	1	1	1	1414-117-0040-0
43-18	1871441	LINING/13×50×3	1	1	1	1	1	1	1	1	1	1414-117-0050-0
43-19	1871425	WASHER/13×32×1	1	1	1	1	1	1	1	1	1	1407-117-0070-0
43-20	1862634	SPRING, PRESS/22	1	1	1	1	1	1	1	1	1	1404-117-0080-0
43-21	1860416	WASHER/M12	1	1	1	1	1	1	1	1	1	V41316-001200
43-22	1862693	NUT, SLOTTED/M12	1	1	1	1	1	1	1	1	1	V32016-001200
43-23	1860507	PIN, SPLIT/3×25	1	1	1	1	1	1	1	1	1	V50015-300250
43-24	1862635	HOLDER, THROTTLE	1	1	1	1	1	1	1	1	1	1421-117-0010-0
43-25	1860214	BOLT/M8×16	2	2	2	2	2	2	2	2	2	V20126-080160
43-26	1860403	WASHER, SP/M8	2	2	2	2	2	2	2	2	2	V40116-000800
43-27	1860304	NUT/M8	2	2	2	2	2	2	2	2	2	V30026-000800

**Fig.44 TRANSMISSION CASE**



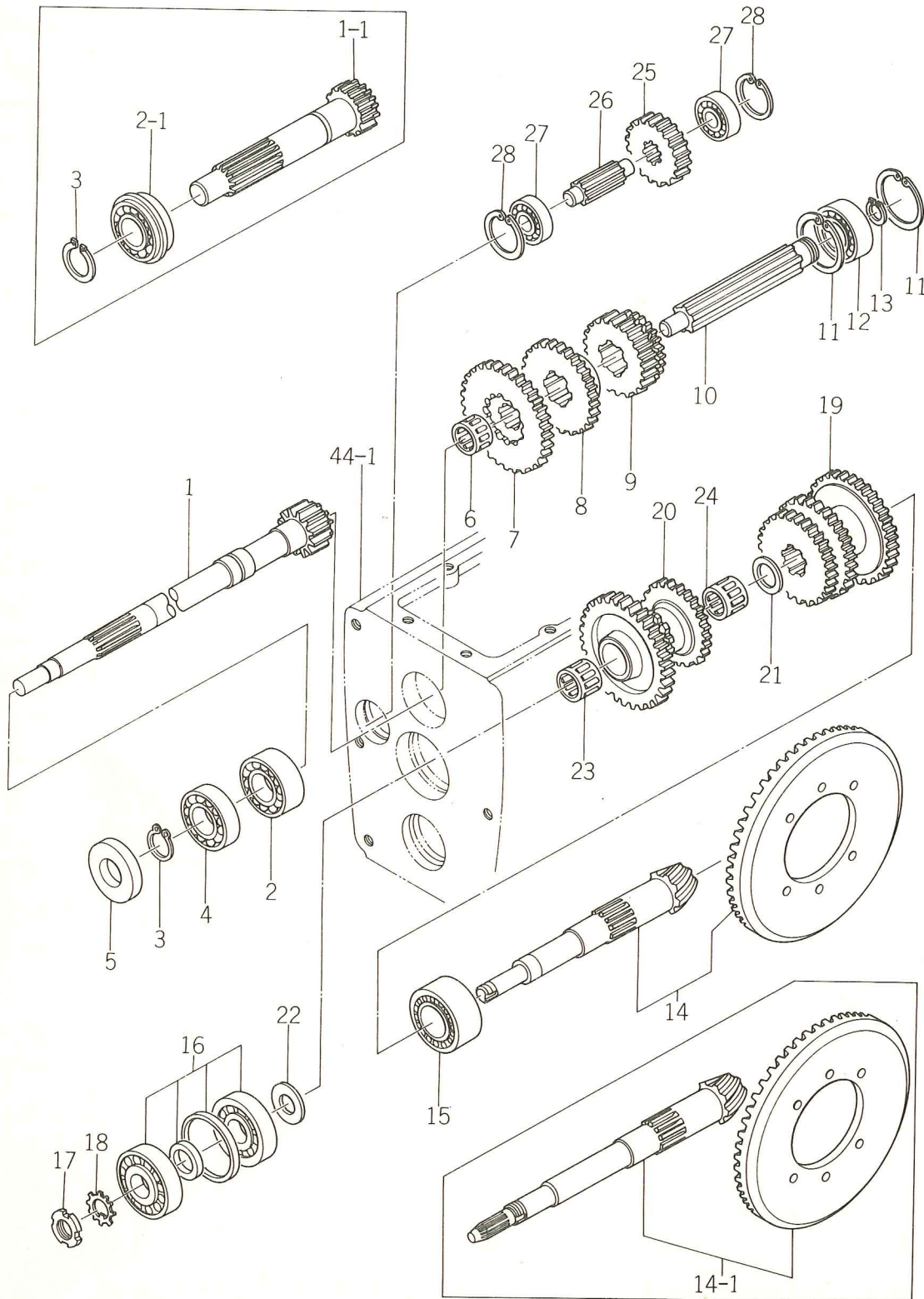
Ref No.	Parts Code	Name	Q'ty								Parts Code
			TS 1 9 1 0				TS 2 2 2 0				
			G	GLF	GR	GLFB	S	SB	LF	LFB	
44- 1	1862704	CASE, T-MISSION	1	1	1	1	1	1	1	1	1422-251-0011-0
44- 2	1862592	STUD/M12×28	14	14	14	14	14	14	14	14	V25026-120280
44- 3	1862615	PLUG, DRAIN	2	2	2	2	2	2	2	2	V78110-000060
44- 4	1862705	METAL, INPUT	1		1		1	1			1421-201-0040-0
44- 4-1	1862639	METAL, INPUT		1		1			1	1	1430-201-0010-0
44- 5	1862640	PACKING, METAL	1	1	1	1	1	1	1	1	1421-201-0050-0
44- 6	1860216	BOLT/M8×20	2	2	2	2	2	2	2	2	V20126-080200
44- 7	1860403	WASHER, SP/M8	4	4	4	4	4	4	4	4	V40116-000800
44- 8	1862375	NUT/M8	2	2	2	2	2	2	2	2	V30326-000800
44- 9	1862681	STUD/M8×18 9T	2	2	2	2	2	2	2	2	V25144-080180
44-10	1862707	METAL, DRIVE PINION	1		1		1	1			1421-201-0060-0
44-10-1	1862641	METAL, DRIVE PINION		1		1			1	1	1430-201-0020-0
44-11	1862642	O-RING	1	1	1	1	1	1	1	1	1419-201-0040-0
44-12	1862643	SHIM, A/0.2	4	4	4	4	4	4	4	4	1421-201-0070-0
44-13	1862644	SHIM, B/0.1	AR	AR	AR	AR	AR	AR	AR	AR	1421-201-0080-0
44-14	1862645	SHIM, C/0.05	AR	AR	AR	AR	AR	AR	AR	AR	1421-201-0090-0
44-15	1862701	STUD/M8×18	4	4	4	4	4	4	4	4	V25126-080180
44-16	1860403	WASHER, SP/M8	4	4	4	4	4	4	4	4	V40116-000800
44-17	1862375	NUT/M8	4	4	4	4	4	4	4	4	V30326-000800
44-18	1862708	COVER, METAL	1		1		1	1			1421-201-0100-0
44-18-1	1862646	COVER, METAL		1		1			1	1	1430-201-0030-0
44-19	1862711	PACKING, COVER	1		1		1	1			1421-201-0110-0
44-19-1	1862647	PACKING, COVER		1		1			1	1	1430-201-0040-0
44-20	1860216	BOLT/M8×20	4	4	4	4	4	4	4	4	V20126-080200
44-21	1860403	WASHER, SP/M8	4	4	4	4	4	4	4	4	V40116-000800
44-22	1862715	SHIM, D/0.05	AR		AR		AR	AR			1419-201-0100-0
44-22-1	1862648	SHIM, A/0.05		AR		AR			AR	AR	1430-201-0050-0
44-23	1862722	SHIM, E/0.1	AR		AR		AR	AR			1419-201-0110-0
44-23-1	1862649	SHIM, B/0.1		AR		AR			AR	AR	1430-201-0060-0
44-24	1871315	CAP, SEAL/35	1	1	1	1	1	1	1	1	1340-253-0020-0
44-25	1862702	STUD/M12×55	4	4	4	4	4	4	4	4	V25026-120550
44-26	1862650	SEAL/24	1	1	1	1	1	1	1	1	1414-201-0020-0
44-27	1862703	PIN, A/10×28	2	2	2	2	2	2	2	2	V52010-100280
44-28	1862551	PIN, A/10×22	2	2	2	2	2	2	2	2	V52010-100220
44-29	1862595	PIN, SPRING/W 8×22	2	2	2	2	2	2	2	2	V58014-080220
44-30	1862398	SEAL/52	1	1	1	1	1	1	1	1	1421-201-0030-0
44-31	1862701	STUD/M8×18	2	2	2	2	2	2	2	2	V25126-080180
44-32	1862728	HITCH, R.	1	1	1	1	1	1	1	1	1422-251-2000-0

**Fig.44 TRANSMISSION CASE**



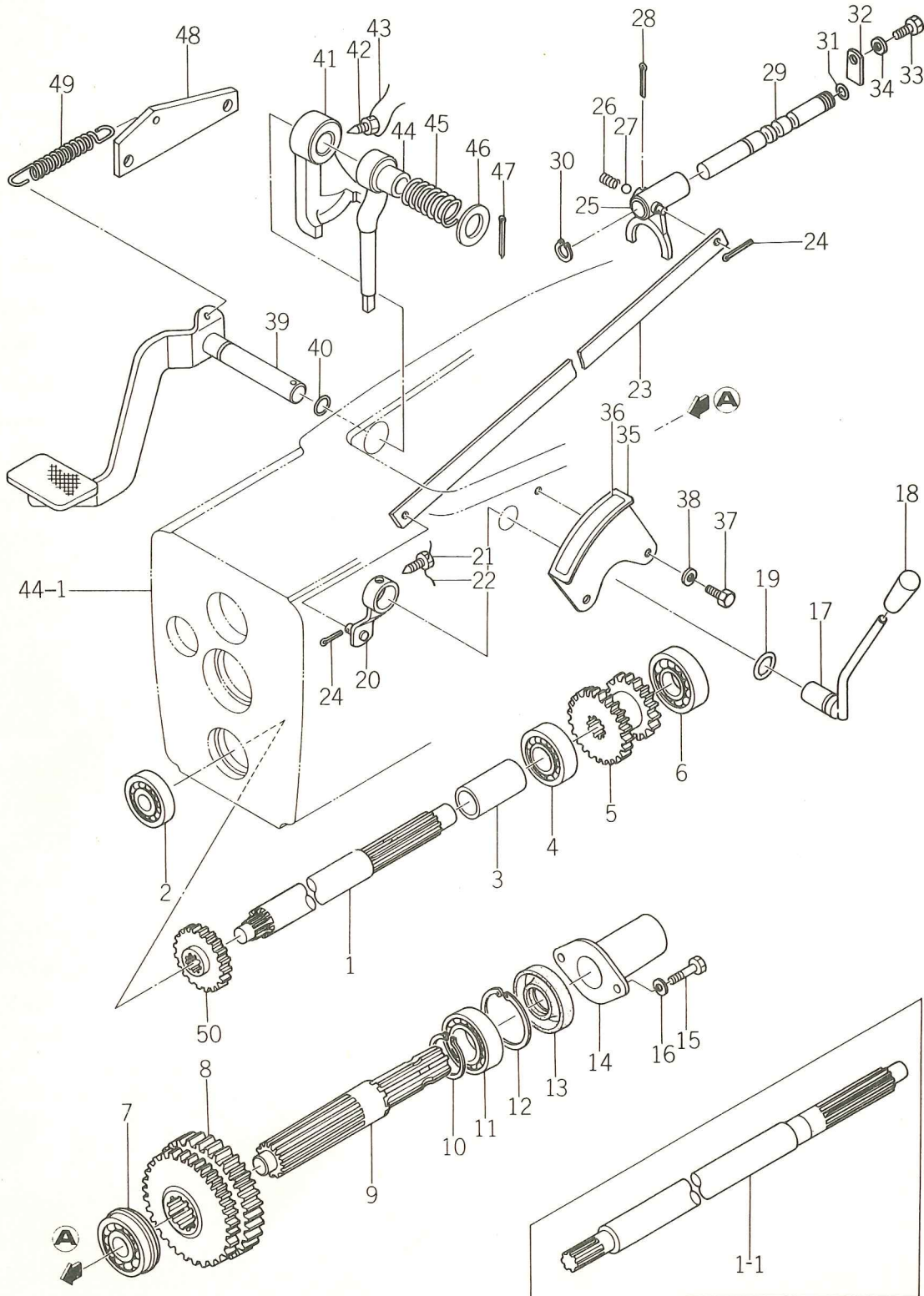
Ref No.	Parts Code	Name	Q'ty								Parts Code	
			TS1910				TS2220					
			G	GLF	GF	GLFB	S	SB	LF	LFB		
44-33	1860231	BOLT/M12×30	2	2	2	2	2	2	2	2	2	V20126-120300
44-34	1860313	NUT/M12	6	6	6	6	6	6	6	6	6	V30326-001200
44-35	1860405	WASHER, SP/M12	8	8	8	8	8	8	8	8	8	V40116-001200
44-36	1862736	STUD/M12×25	6	6	6	6	6	6	6	6	6	V25026-120250
44-37	1862737	STUD/M8×20 9T	4	4	4	4	4	4	4	4	4	V25144-080200
44-38	1862739	STUD/M12×32 9T		2		2			2	2		V25044-120320
44-39	1871580	CAP, BLANK/M12	4		4		4	4				1427-201-0160-0
44-40	1862741	SEAL/47	1		1		1	1				1421-201-0020-0

**Fig.45 TRANSMISSION GEAR**



Ref No.	Parts Code	Name	Q'ty								Parts Code	
			TS1910				TS2220					
			G	GLF	GR	GLFB	S	SB	LF	LFB		
45- 1	1862745	GEAR, INPUT/12T	1		1		1	1				1421-202-0011-0
45- 1-1	1862653	GEAR, INPUT/12T		1		1				1	1	1430-202-0010-0
45- 2	1862618	BEARING, RB/5205	1		1		1	1				V60611-052050
45- 2-1	1862654	BEARING, RB/5205NR		1		1				1	1	1430-202-0020-0
45- 3	1860706	RING, SNAP/C 25	1	1	1	1	1	1	1	1	1	V70414-002500
45- 4	1860607	BEARING, RB/6205	1		1		1	1				V60011-062050
45- 5	1862758	SEAL, OIL/SB255210	1		1		1	1				V74112-552100
45- 6	1862759	BEARING, NR/TA1620	1	1	1	1	1	1	1	1	1	V65361-624200
45- 7	1862656	GEAR, SHIFT/34-22T	1		1							1421-202-0050-0
45- 7-1	1862657	GEAR, SHIFT/34-22T		1		1	1	1	1	1	1	1430-202-0050-0
45- 8	1862658	GEAR, SHIFT/24T	1	1	1	1	1	1	1	1	1	1430-202-0040-0
45- 9	1862659	GEAR, SHIFT/19-15T	1	1	1	1	1	1	1	1	1	1430-202-0030-0
45-10	1862655	SHAFT, CHANGE	1	1	1	1	1	1	1	1	1	1421-202-0020-0
45-11	1860910	RING, SNAP/C 52	2	2	2	2	2	2	2	2	2	V70514-005200
45-12	1860612	BEARING, RB/6304	1	1	1	1	1	1	1	1	1	V60011-063040
45-13	1860704	RING, SNAP/C 20	1	1	1	1	1	1	1	1	1	V70414-002000
45-14	1862760	GEAR, DRIVE SET	1		1		1	1				1422-026-3000-0
45-14-1	1862762	GEAR, DRIVE SET		1		1				1	1	1422-026-2000-0
45-15	1862662	BEARING, CR/NH2206	1	1	1	1	1	1	1	1	1	1430-203-0020-0
45-16	1862764	BEARING, CR/46C 32303	1		1		1	1				1419-203-0020-0
45-16-1	1862663	BEARING, TR/HR30304 BJ		1		1				1	1	1430-203-0030-0
45-17	1862771	NUT, ADAPTER/AN03	1		1		1	1				V67020-000300
45-17-1	1862773	NUT, ADAPTER/AN04		1		1				1	1	V67020-000400
45-18	1862775	WASHER, ADAPTER/AW03	1		1		1	1				V67140-000300
45-18-1	1862782	WASHER, ADAPTER/AW04		1		1				1	1	V67140-000400
45-19	1862664	GEAR, COUNTER/22-27-30T	1	1	1	1	1	1	1	1	1	1430-203-0040-0
45-20	1862783	GEAR, COUNTER/35-13-24T	1		1		1	1				1421-203-0051-0
45-20-1	1862665	GEAR, COUNTER/35-13-24T		1		1				1	1	1430-203-0050-0
45-21	1862666	WASHER/26×34×2	1	1	1	1	1	1	1	1	1	1421-203-0040-0
45-22	1862796	COLLAR/17×40×3	1		1		1	1				1421-203-0060-0
45-22-1	1862667	COLLAR/20×40×3		1		1				1	1	1430-203-0060-0
45-23	1862800	BEARING, NR/KT223215 EG	1		1		1	1				V65442-232150
45-23-1	1862806	BEARING, NR/KT232824		1		1				1	1	V65442-328240
45-24	1862808	BEARING, NR/KT253017	1	1	1	1	1	1	1	1	1	V65442-530170
45-25	1862668	GEAR, BACK/25T	1	1	1	1	1	1	1	1	1	1421-204-0010-0
45-26	1862669	PIN, BACK GEAR	1	1	1	1	1	1	1	1	1	1421-204-0020-0
45-27	1862809	BEARING, RB/6202	2	2	2	2	2	2	2	2	2	V60011-062020
45-28	1862816	RING, SNAP/C 35	2	2	2	2	2	2	2	2	2	V70514-003500

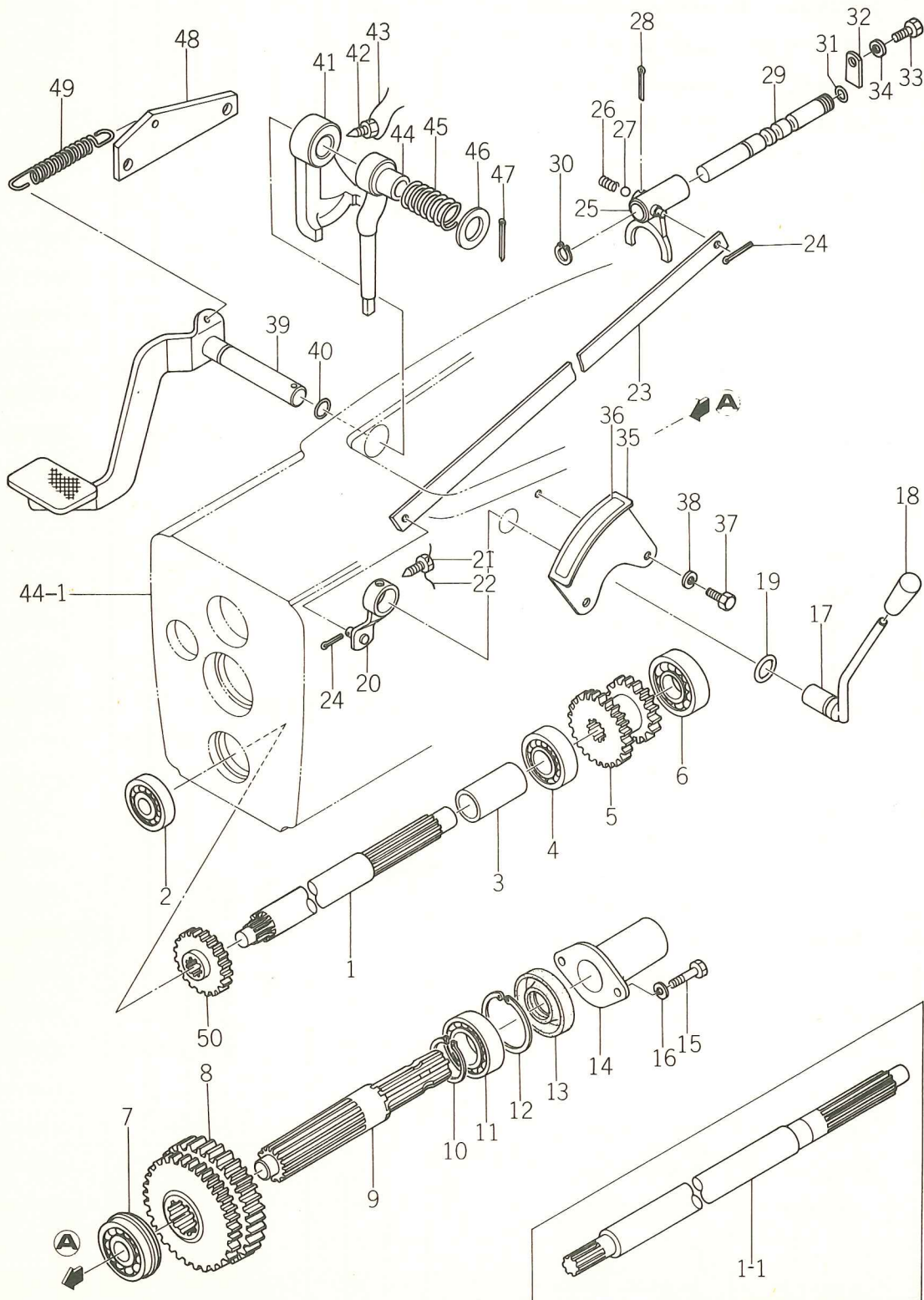
**Fig.46 POWER TAKE OFF**





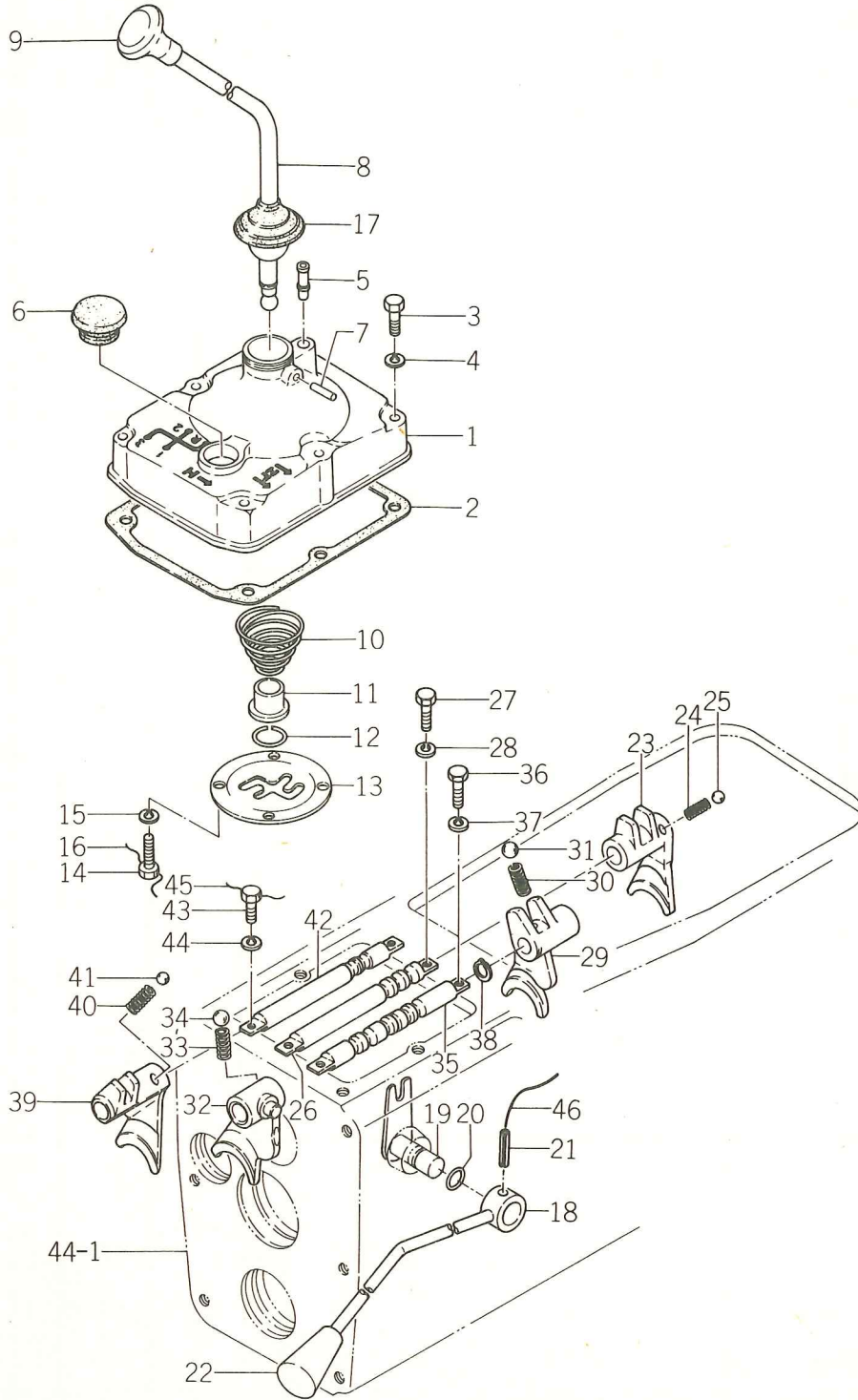
Ref No.	Parts Code	Name	Q'ty								Parts Code	
			TS1910				TS2220					
			G	GLF	GR	GLFB	S	SB	LF	LFB		
46- 1	1862824	SHAFT, PTO DRIVE	1		1		1	1				1421-211-0010-0
46- 1-1	1862706	SHAFT, PTO DRIVE B		1		1				1	1	1430-211-0021-0
46- 2	1862853	BEARING, RB/6303	1		1		1	1				V60011-063030
46- 2-1	1860606	BEARING, RB/6204		1		1				1	1	V60011-062040
46- 3	1862840	COLLAR/26×34×60	1	1	1	1	1	1	1	1	1	1422-280-0020-0
46- 4	1860607	BEARING, RB/6205	1	1	1	1	1	1	1	1	1	V60011-062050
46- 5	1862844	GEAR, PTO COUNTER/21-14T	1	1	1	1	1	1	1	1	1	1422-280-0010-0
46- 6	1860612	BEARING, RB/6304	1	1	1	1	1	1	1	1	1	V60011-063040
46- 7	1860617	BEARING, RB/6204NR	1	1	1	1	1	1	1	1	1	V60711-062040
46- 8	1862847	GEAR, PTO SHIFT	1	1	1	1	1	1	1	1	1	1422-283-0010-0
46- 9	1862676	SHAFT, PTO	1	1	1	1	1	1	1	1	1	1421-212-0010-0
46-10	1860709	RING, SNAP/C 35	1	1	1	1	1	1	1	1	1	V70414-003500
46-11	1862854	BEARING, RB/6007	1	1	1	1	1	1	1	1	1	V60011-060070
46-12	1860714	RING, SNAP/C 62	1	1	1	1	1	1	1	1	1	V70514-006200
46-13	1862856	SEAL, OIL/TC356210	1	1	1	1	1	1	1	1	1	V74413-562100
46-14	1862848	CAP, PTO SHAFT	1	1	1	1	1	1	1	1	1	1421-212-0040-0
46-15	1860201	BOLT/M6×12	2	2	2	2	2	2	2	2	2	V20026-060120
46-16	1860402	WASHER, SP/M6	2	2	2	2	2	2	2	2	2	V40116-000600
46-17	1862849	LEVER, PTO SHIFT	1	1	1	1	1	1	1	1	1	1431-286-2000-0
46-18	1874100	KNOB	1	1	1	1	1	1	1	1	1	4106-105-3030-0
46-19	1862857	O-RING/P21	1	1	1	1	1	1	1	1	1	V72010-240210
46-20	1862686	ARM, SHIFT	1	1	1	1	1	1	1	1	1	1421-216-2000-0
46-21	1862687	BOLT/M8×16	1	1	1	1	1	1	1	1	1	1415-216-0060-0
46-22		WIRE/0.9×150	1	1	1	1	1	1	1	1	1	
46-23	1862682	BAR, PTO SHIFT	1	1	1	1	1	1	1	1	1	1421-216-0050-0
46-24	1860503	PIN, SPLIT/2.5×18	2	2	2	2	2	2	2	2	2	V50015-250180
46-25	1862679	SHIFTER, PTO LOW	1	1	1	1	1	1	1	1	1	1421-216-0010-0
46-26	1871301	SPRING, SHIFTER	1	1	1	1	1	1	1	1	1	1302-225-0030-0
46-27	1862858	BALL, STEEL	1	1	1	1	1	1	1	1	1	V68010-000100
46-28	1860507	PIN, SPLIT/3×25	1	1	1	1	1	1	1	1	1	V50015-300250
46-29	1862850	STAY, PTO SHIFTER	1	1	1	1	1	1	1	1	1	1422-286-0010-0
46-30	1860701	RING, SNAP/C 12	1	1	1	1	1	1	1	1	1	V70414-001200
46-31	1862859	O-RING/P10	1	1	1	1	1	1	1	1	1	V72010-190100
46-32	1862684	STOPPER	1	1	1	1	1	1	1	1	1	1421-216-0040-0
46-33	1860214	BOLT/M8×16	1	1	1	1	1	1	1	1	1	V20126-080160
46-34	1860403	WASHER, SP/M8	1	1	1	1	1	1	1	1	1	V40116-000800
46-35	1862851	GUIDE, PTO SHIFT LEVER	1	1	1	1	1	1	1	1	1	1422-286-0020-0
46-36	1862852	MARK, PTO	1	1	1	1	1	1	1	1	1	1422-940-0060-0

**Fig.46 POWER TAKE OFF**



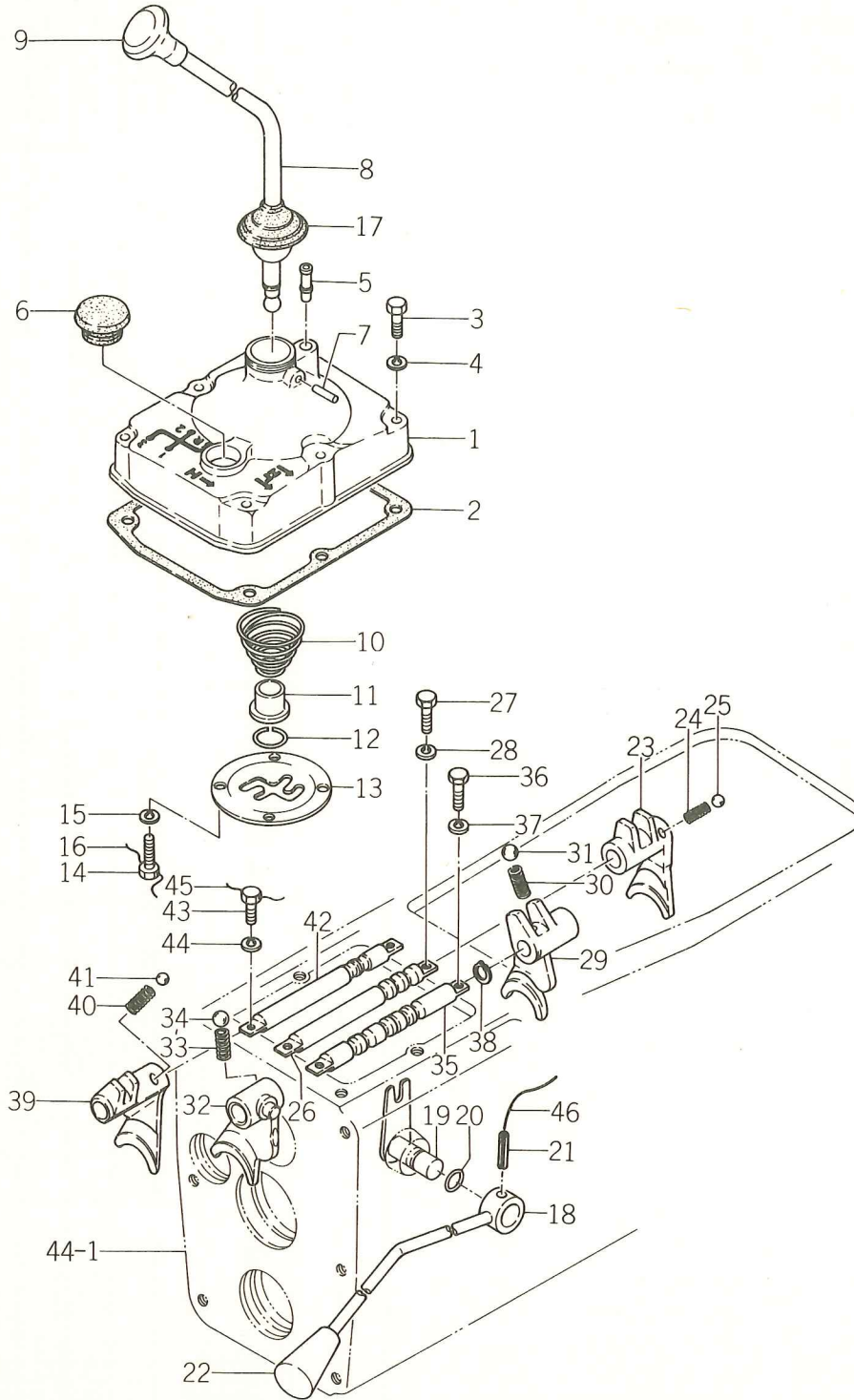
Ref No.	Parts Code	Name	Q'ty								Parts Code
			TS1910				TS2220				
			G	GLF	GB	GLFB	S	SB	LF	LFB	
47- 1	1862709	COVER, SHIFT	1	1	1	1	1	1	1	1	1421-207-0010-0
47- 2	1862710	PACKING, SHIFT COVER	1	1	1	1	1	1	1	1	1421-207-0020-0
47- 3	1862866	BOLT/M8×50	6	6	6	6	6	6	6	6	V20126-080500
47- 4	1860403	WASHER, SP/M8	6	6	6	6	6	6	6	6	V40116-000800
47- 5	1862864	NIPPLE, BREATHER/30	1	1	1	1	1	1	1	1	1421-207-0030-0
47- 6	1862712	CAP, OIL/30	1	1	1	1	1	1	1	1	7956-205-0160-0
47- 7	1862867	PIN, A/6×16	1	1	1	1	1	1	1	1	V52020-060160
47- 8	1862713	LEVER, SHIFT	1	1	1	1	1	1	1	1	1416-207-0030-0
47- 9	1871442	KNOB, LEVER/48	1	1	1	1	1	1	1	1	1414-207-0050-0
47-10	1862714	SPRING, CONICAL/63	1	1	1	1	1	1	1	1	1416-207-0040-0
47-11	1862865	SEAT, SPRING	1	1	1	1	1	1	1	1	1421-207-0040-0
47-12	1862716	RING, SNAP	1	1	1	1	1	1	1	1	1407-207-0050-0
47-13	1862717	GUIDE, SHIFT LEVER	1	1	1	1	1	1	1	1	1415-208-0041-0
47-14	1862718	BOLT/M6×12	4	4	4	4	4	4	4	4	1402-501-0170-0
47-15	1860402	WASHER, SP/M6	4	4	4	4	4	4	4	4	V40116-000600
47-16		WIRE/0.9×350	1	1	1	1	1	1	1	1	
47-17	1871411	BOOT, SHIFT LEVER	1	1	1	1	1	1	1	1	1403-207-0010-0
47-18	1862719	LEVER, SUB SHIFT	1	1	1	1	1	1	1	1	1421-208-1000-0
47-19	1862720	ARM, SUB SHIFT	1	1	1	1	1	1	1	1	1415-209-1000-0
47-20	1862661	O-RING/P12	1	1	1	1	1	1	1	1	V72010-240120
47-21	1860514	PIN, SPRING/6×28	1	1	1	1	1	1	1	1	V58014-060280
47-22	1874100	KNOB	1	1	1	1	1	1	1	1	4106-105-3030-0
47-23	1862721	SHIFTER, LOW	1	1	1	1	1	1	1	1	1421-209-0010-0
47-24	1862461	SPRING, SHIFTER	1	1	1	1	1	1	1	1	1415-210-0020-0
47-25	1862869	BALL, STEEL	1	1	1	1	1	1	1	1	V68010-000130
47-26	1862723	STAY, LOW SHIFTER	1	1	1	1	1	1	1	1	1421-209-0020-0
47-27	1862724	BOLT/M8×20 9T	2	2	2	2	2	2	2	2	1416-209-0050-0
47-28	1860403	WASHER, SP/M8	2	2	2	2	2	2	2	2	V40116-000800
47-29	1862725	SHIFTER, THIRD	1	1	1	1	1	1	1	1	1421-209-0030-0
47-30	1862461	SPRING, SHIFTER	1	1	1	1	1	1	1	1	1415-210-0020-0
47-31	1862869	BALL, STEEL	1	1	1	1	1	1	1	1	V68010-000130
47-32	1862726	SHIFTER, SUB	1	1	1	1	1	1	1	1	1421-209-0040-0
47-33	1862461	SPRING, SHIFTER	1	1	1	1	1	1	1	1	1415-210-0020-0
47-34	1862869	BALL, STEEL	1	1	1	1	1	1	1	1	V68010-000130
47-35	1862727	STAY, THIRD SHIFTER	1	1	1	1	1	1	1	1	1421-209-0050-0
47-36	1862724	BOLT/M8×20 9T	2	2	2	2	2	2	2	2	1416-209-0050-0
47-37	1860403	WASHER, SP/M8	2	2	2	2	2	2	2	2	V40116-000800
47-38	1860703	RING, SNAP/C 15	1	1	1	1	1	1	1	1	V70414-001500

**Fig.47 GEAR SHIFT**



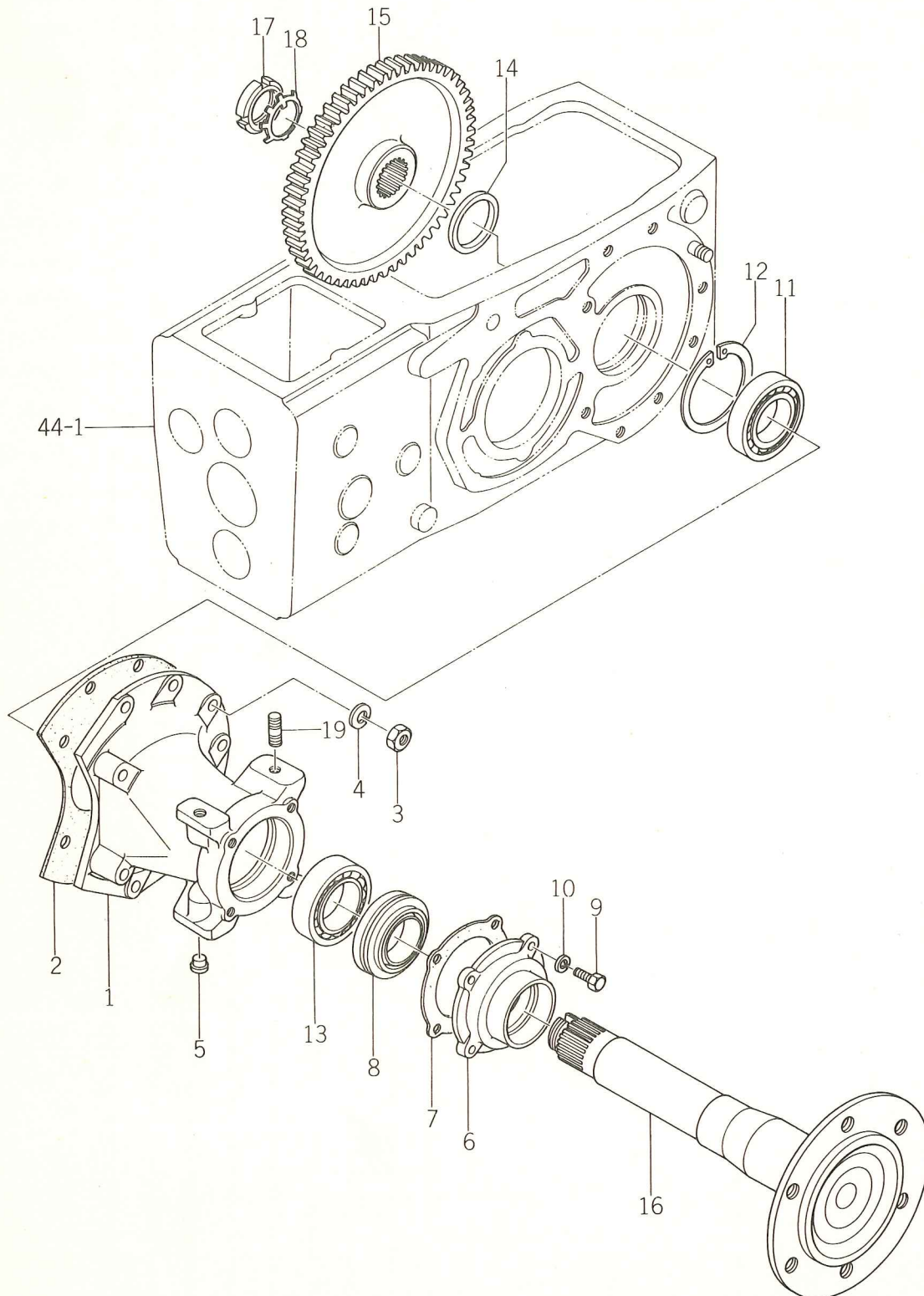
Ref No.	Parts Code	Name	Q'ty								Parts Code
			TS1910				TS2220				
			G	GLF	GB	GLFB	S	SB	LF	LFB	
46-37	1860214	BOLT/M8×16	2	2	2	2	2	2	2	2	V20126-080160
46-38	1860403	WASHER, SP/M8	2	2	2	2	2	2	2	2	V40116-000800
46-39	1862695	PEDAL, DIFF LOCK	1	1	1	1	1	1	1	1	1421-301-1000-0
46-40	1862861	O-RING/P16	1	1	1	1	1	1	1	1	V72010-240160
46-41	1862696	CAM, DIFF LOCK	1	1	1	1	1	1	1	1	1414-331-0120-0
46-42	1862697	BOLT/M8×20	1	1	1	1	1	1	1	1	1414-502-0010-0
46-43		WIRE/1.2×200	1	1	1	1	1	1	1	1	
46-44	1862698	SHIFTER, DIFF LOCK	1	1	1	1	1	1	1	1	1419-331-0050-0
46-45	1862699	SPRING, PRESS/40	1	1	1	1	1	1	1	1	1407-303-0040-0
46-46	1862862	WASHER/M18	1	1	1	1	1	1	1	1	V41310-001800
46-47	1862863	PIN, SPLIT/4×30	1	1	1	1	1	1	1	1	V50015-400300
46-48	1862700	HOLDER, SPRING	1	1	1	1	1	1	1	1	1421-301-0060-0
46-49	1871412	SPRING, PARKING BRAKE	1	1	1	1	1	1	1	1	1403-312-0030-0
46-50	1862456	GEAR, PTO DRIVE/20T	1		1		1	1			1421-211-0021-0

**Fig.47 GEAR SHIFT**



Ref No.	Parts Code	Name	Q'ty								Parts Code	
			TS1910				TS2220					
			G	GLF	GB	GLFB	S	SB	LF	LFB		
47-39	1862729	SHIFTER, BACK	1	1	1	1	1	1	1	1	1	1421-209-0060-0
47-40	1862461	SPRING, SHIFTER	1	1	1	1	1	1	1	1	1	1415-210-0020-0
47-41	1862869	BALL, STEEL	1	1	1	1	1	1	1	1	1	V68010-000130
47-42	1862730	STAY, BACK SHIFTER	1	1	1	1	1	1	1	1	1	1421-209-0070-0
47-43	1862724	BOLT/M8×20 9T	2	2	2	2	2	2	2	2	2	1416-209-0050-0
47-44	1860403	WASHER, SP/M8	2	2	2	2	2	2	2	2	2	V40116-000800
47-45		WIRE/0.9×400	2	2	2	2	2	2	2	2	2	
47-46		WIRE/0.9×90	1	1	1	1	1	1	1	1	1	

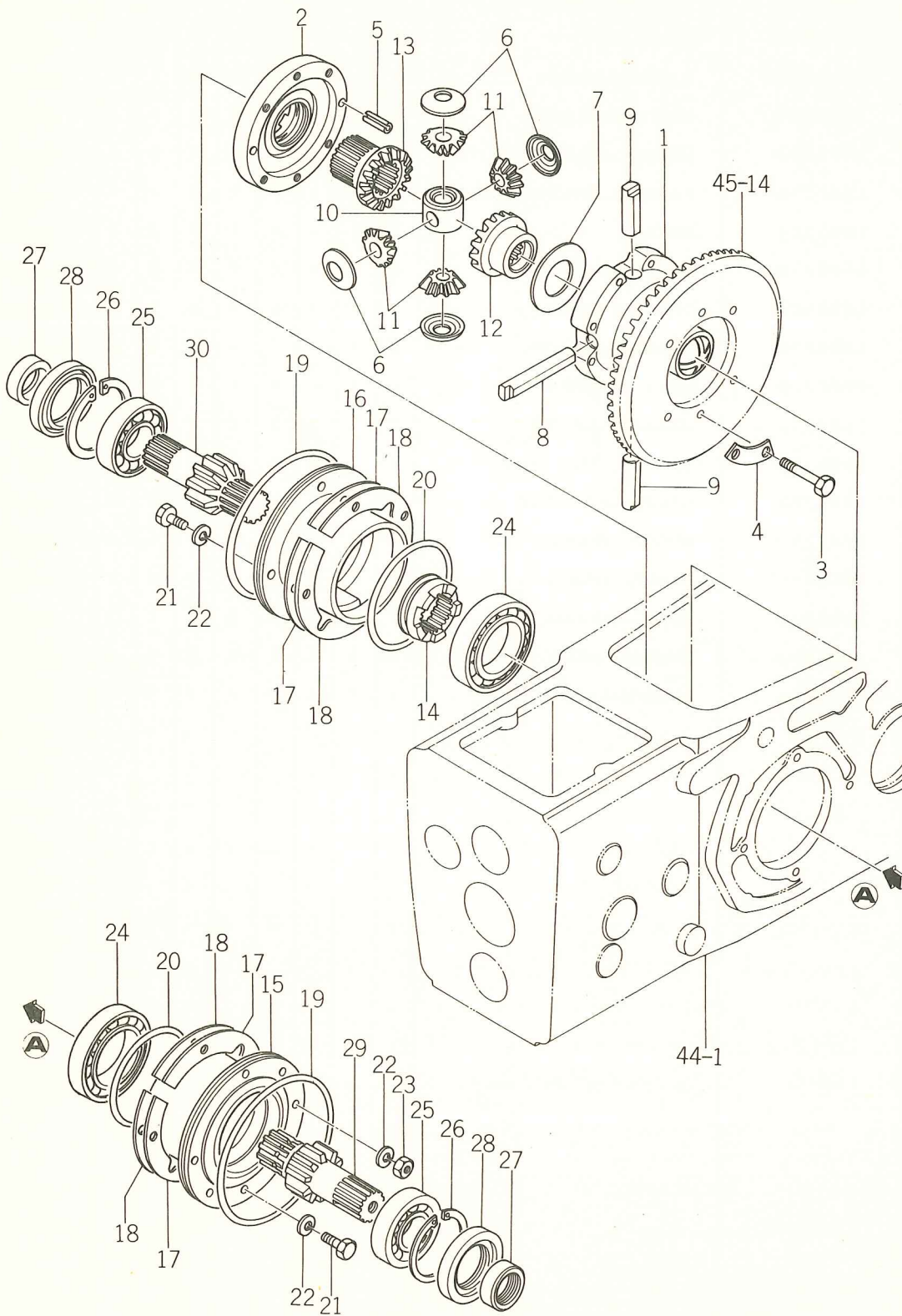
**Fig.48 REAR AXLE HOUSING**





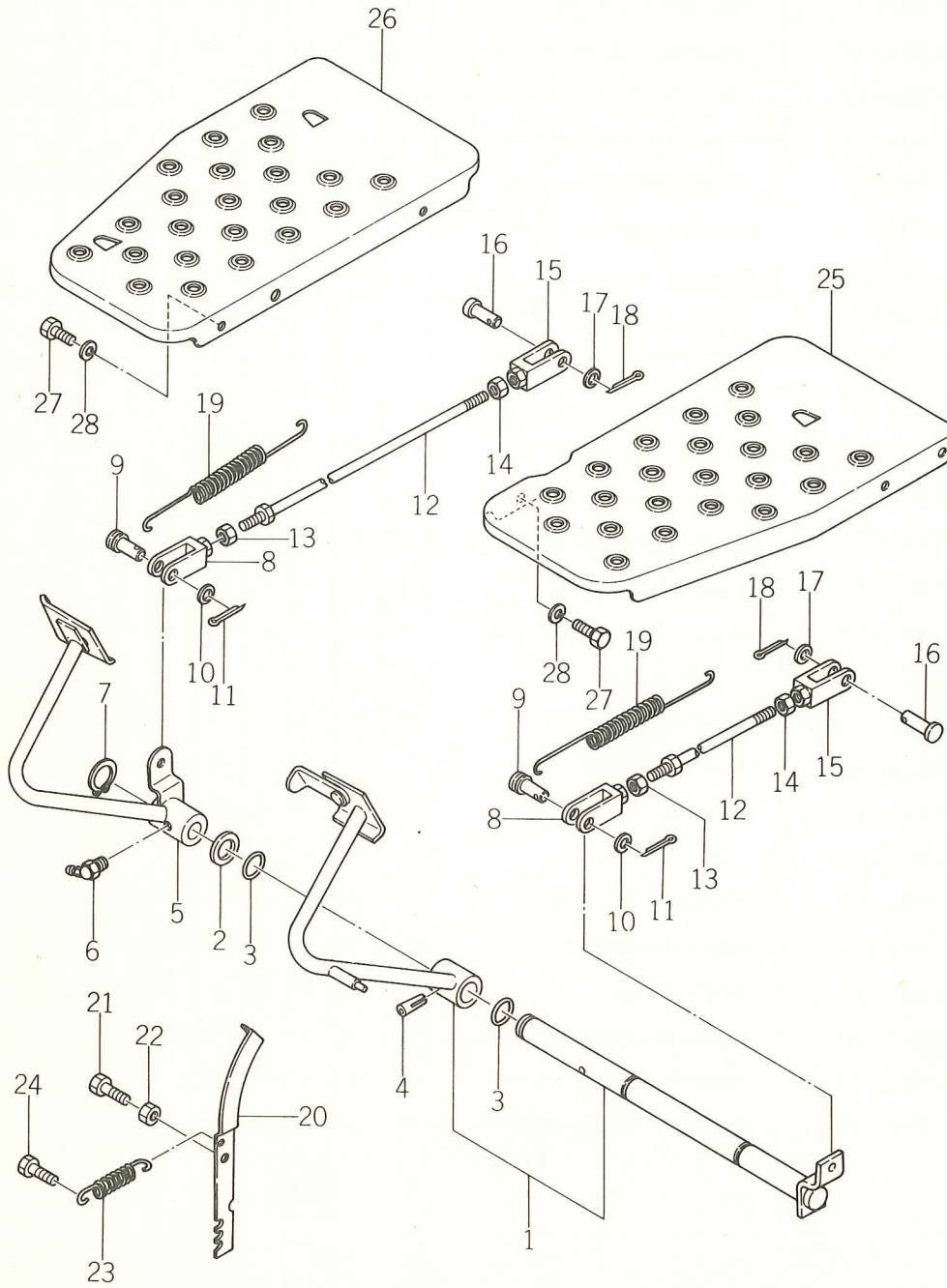
Ref No.	Parts Code	Name	Q'ty								Parts Code	
			TS1910				TS2220					
			G	GLF	GB	GLFB	S	SB	LF	LFB		
48- 1	1862731	HOUSING, R.AXLE	2	2	2	2	2	2	2	2	2	1414-306-0010-0
48- 2	1862732	PACKING, HOUSING	2	2	2	2	2	2	2	2	2	1414-306-0020-0
48- 3	1860306	NUT/M12	18	18	18	18	18	18	18	18	18	V30026-001200
48- 4	1860405	WASHER, SP/M12	18	18	18	18	18	18	18	18	18	V40116-001200
48- 5	1871580	CAP, BLANK/M12	4	4	4	4	4	4	4	4	4	1427-201-0160-0
48- 6	1862733	METAL, AXLE SEAL	2	2	2	2	2	2	2	2	2	1414-306-0030-0
48- 7	1862734	PACKING, SEAL METAL	2	2	2	2	2	2	2	2	2	1414-306-0040-0
48- 8	1862735	SEAL	2	2	2	2	2	2	2	2	2	1412-307-0040-0
48- 9	1860216	BOLT/M8×20	8	8	8	8	8	8	8	8	8	V20126-080200
48-10	1860403	WASHER, SP/M8	8	8	8	8	8	8	8	8	8	V40116-000800
48-11	1862870	BEARING, RB/6209	2	2	2	2	2	2	2	2	2	V60011-062090
48-12	1862738	RING, SNAP/H 85	2	2	2	2	2	2	2	2	2	1414-201-0140-0
48-13	1862871	BEARING, RB/6210	2	2	2	2	2	2	2	2	2	V60011-062100
48-14	1862740	COLLAR, SHAFT BEARING	2	2	2	2	2	2	2	2	2	1404-307-0020-0
48-15	1862742	GEAR, WHEEL/57T	2	2	2	2	2	2	2	2	2	1422-308-0010-0
48-16	1862743	SHAFT, WHEEL	2	2	2	2	2	2	2	2	2	1430-307-0010-0
48-16-1	1862744	SHAFT, WHEEL	2	2	2	2	2	2	2	2	2	1430-307-0020-0
48-17	1862872	NUT, ADAPTER/AN08	2	2	2	2	2	2	2	2	2	V67020-000800
48-18	1862873	WASHER, ADAPTER/AW08	2	2	2	2	2	2	2	2	2	V67140-000800
48-19	1862874	STUD/M12×32	4	4	4	4	4	4	4	4	4	V25126-120320

**Fig.49 DIFFERENTIAL GEAR**



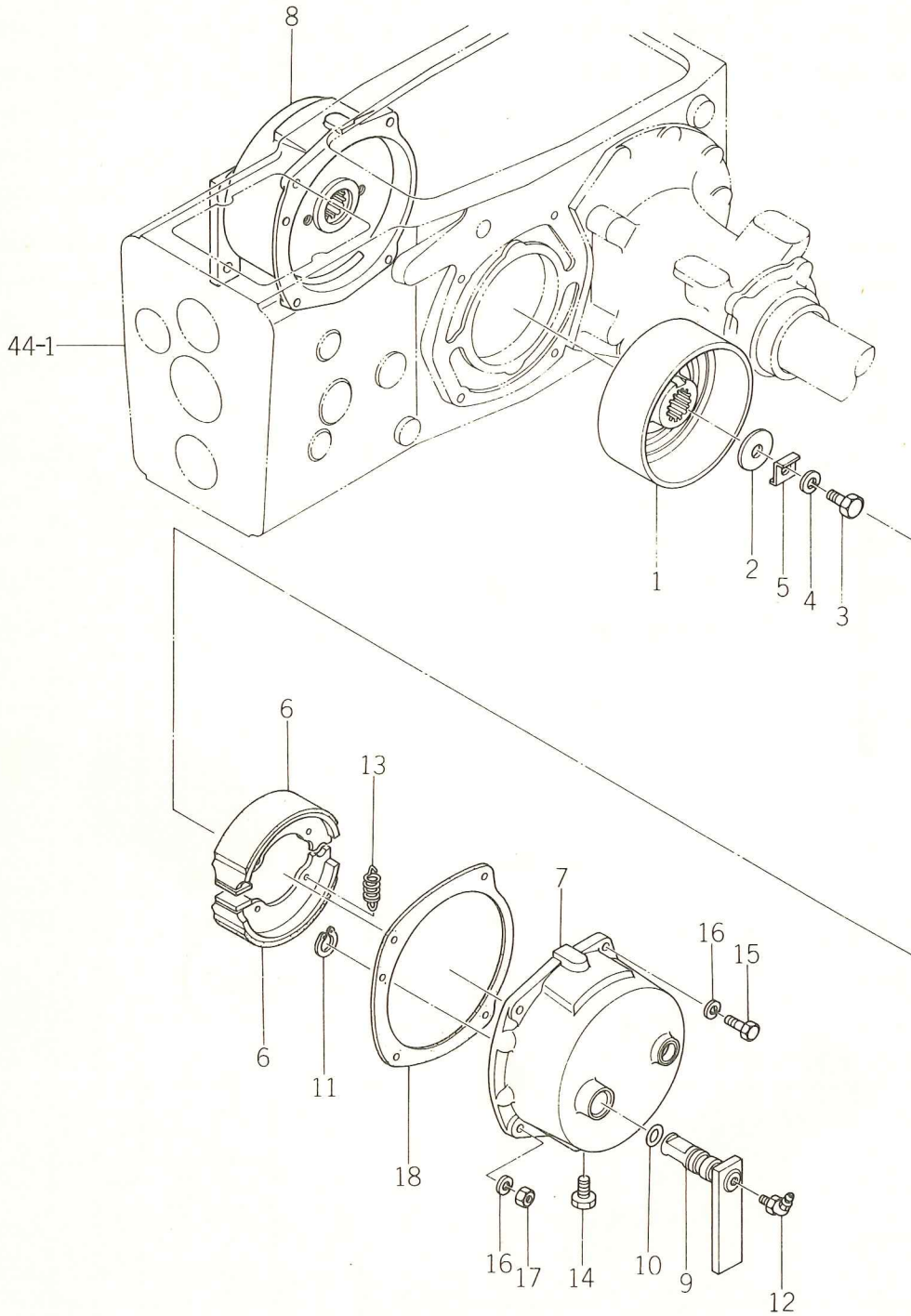
Ref No.	Parts Code	Name	Q'ty								Parts Code	
			TS1910				TS2220					
			G	GLF	GB	GLFB	S	SB	LF	LFB		
49- 1	1862746	CASE, DIFF LH	1	1	1	1	1	1	1	1	1	1421-301-0070-0
49- 2	1862747	CASE, DIFF RH	1	1	1	1	1	1	1	1	1	1421-301-0080-0
49- 3	1862748	BOLT, DIFF/M8	6	6	6	6	6	6	6	6	6	1421-301-0090-0
49- 4	1862749	WASHER, LOCK	4	4	4	4	4	4	4	4	4	1414-331-0050-0
49- 5	1862875	PIN, SPRING/8×28	2	2	2	2	2	2	2	2	2	V58014-080280
49- 6	1871647	COLLAR, PINION THRUST	4	4	4	4	4	4	4	4	4	1427-301-0050-0
49- 7	1862750	COLLAR, THRUST/43×58×1	1	1	1	1	1	1	1	1	1	1421-301-0120-0
49- 8	1862751	SHAFT, DIFF-PINION A	1	1	1	1	1	1	1	1	1	1421-301-0130-0
49- 9	1862752	SHAFT, DIFF-PINION B	2	2	2	2	2	2	2	2	2	1421-301-0140-0
49-10	1862753	HOLDER, PINION SHAFT	1	1	1	1	1	1	1	1	1	1425-431-0210-0
49-11	1862754	PINION, DIFF/11T	4	4	4	4	4	4	4	4	4	1425-431-0150-0
49-12	1862755	GEAR, BEVEL LH/20T	1	1	1	1	1	1	1	1	1	1421-301-0110-0
49-13	1862756	GEAR, BEVEL RH/20T	1	1	1	1	1	1	1	1	1	1419-331-0022-0
49-14	1862761	CLUTCH, DIFF LOCK	1	1	1	1	1	1	1	1	1	1419-331-0041-0
49-15	1862763	METAL, DIFF CASE LH	1	1	1	1	1	1	1	1	1	1430-201-0070-0
49-16	1862765	METAL, DIFF CASE RH	1	1	1	1	1	1	1	1	1	1430-201-0080-0
49-17	1862766	SHIM, METAL A/0.2	8	8	8	8	8	8	8	8	8	1414-201-0090-0
49-18	1862767	SHIM, METAL B/0.1	4	4	4	4	4	4	4	4	4	1414-201-0100-0
49-19	1862768	O-RING/147	2	2	2	2	2	2	2	2	2	1414-201-0120-0
49-20	1862881	O-RING/G100	2	2	2	2	2	2	2	2	2	V72110-311000
49-21	1860217	BOLT/M8×25	6	6	6	6	6	6	6	6	6	V20126-080250
49-22	1860403	WASHER, SP/M8	8	8	8	8	8	8	8	8	8	V40116-000800
49-23	1862375	NUT/M8	2	2	2	2	2	2	2	2	2	V30326-000800
49-24	1862877	BEARING, RB/6011	2	2	2	2	2	2	2	2	2	V60011-060110
49-25	1860613	BEARING, RB/6306	2	2	2	2	2	2	2	2	2	V60011-063060
49-26	1862544	RING, SNAP/C 72	2	2	2	2	2	2	2	2	2	V70514-007200
49-27	1862769	BUSH, SEAL	2	2	2	2	2	2	2	2	2	1414-301-0070-0
49-28	1862770	SEAL, OIL/TC457212	2	2	2	2	2	2	2	2	2	1414-301-0080-0
49-29	1862772	PINION, WHEEL LH/10T	1	1	1	1	1	1	1	1	1	1422-302-0010-0
49-30	1862774	PINION, WHEEL RH/10T	1	1	1	1	1	1	1	1	1	1422-302-0020-0

**Fig.50 STEP AND BRAKE SYSTEM**



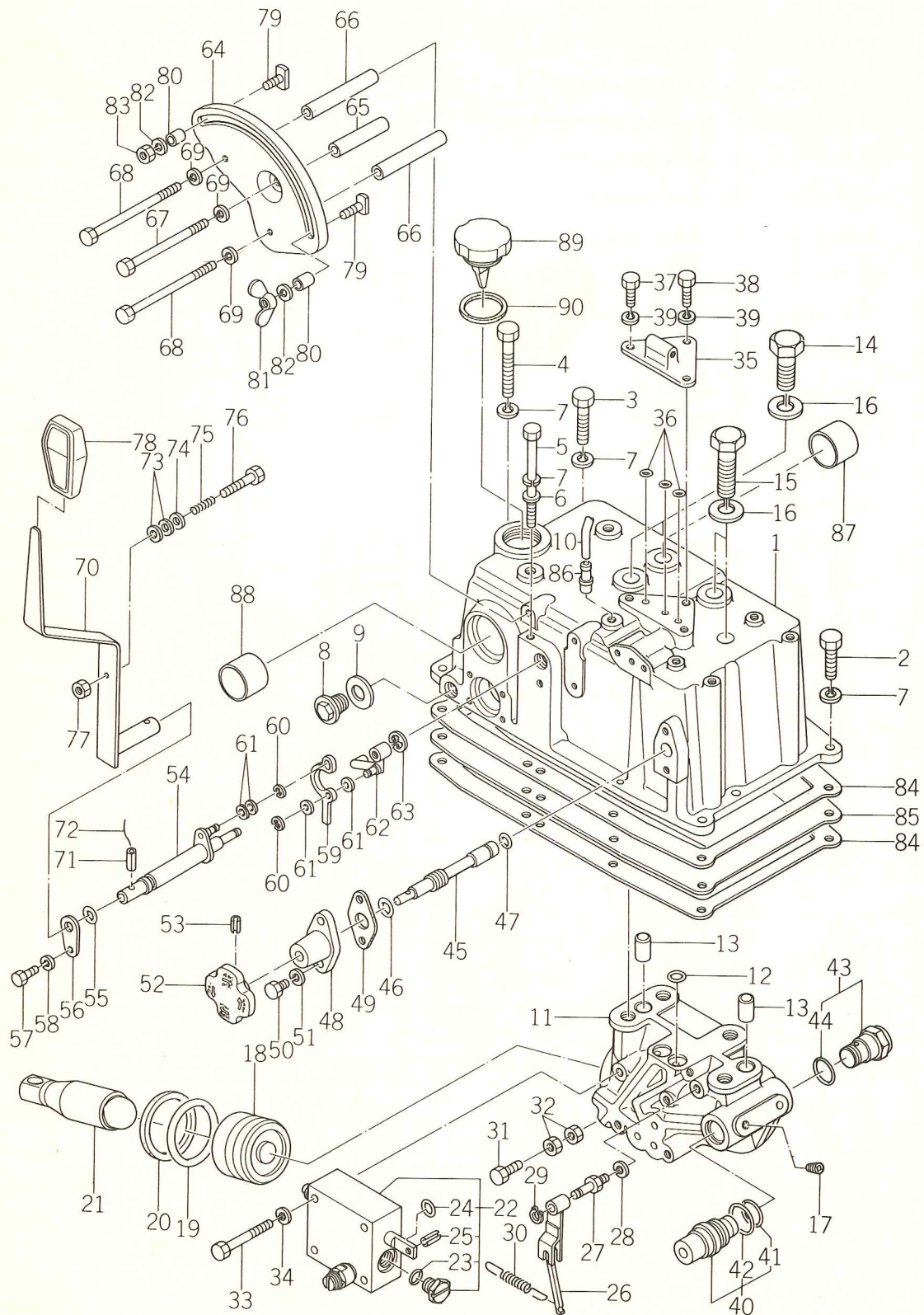
Ref No.	Parts Code	Name	Q'ty								Parts Code	
			TS1910				TS2220					
			G	GLF	GB	GLFB	S	SB	LF	LFB		
50- 1	1862776	PEDAL, BRAKE SET	1	1	1	1	1	1	1	1	1	1421-031-2000-0
50- 2	1862777	WASHER/26×35×1	AR	AR	AR	AR	AR	AR	AR	AR	AR	1421-312-0020-0
50- 3	1860928	O-RING/P25	2	2	2	2	2	2	2	2	2	V72010-350250
50- 4	1862886	PIN, TAPER/8×50	1	1	1	1	1	1	1	1	1	V51116-080500
50- 5	1862778	PEDAL, BRAKE RH	1	1	1	1	1	1	1	1	1	1415-312-3000-0
50- 6	1860737	NIPPLE, GREASE	1	1	1	1	1	1	1	1	1	V76340-000000
50- 7	1860706	RING, SNAP/C 25	1	1	1	1	1	1	1	1	1	V70414-002500
50- 8	1871453	YOKE, RH THREAD	2	2	2	2	2	2	2	2	2	1415-312-6000-0
50- 9	1871418	PIN, YOKE B	2	2	2	2	2	2	2	2	2	1404-312-0050-0
50-10	1860414	WASHER/M8	2	2	2	2	2	2	2	2	2	V41316-000800
50-11	1860502	PIN, SPLIT/2×18	2	2	2	2	2	2	2	2	2	V50015-200180
50-12	1862779	ROD, BRAKE	2	2	2	2	2	2	2	2	2	1421-312-3000-0
50-13	1860310	NUT/M8	2	2	2	2	2	2	2	2	2	V30226-000800
50-14	1871401	NUT/M8	2	2	2	2	2	2	2	2	2	1401-122-0050-0
50-15	1871452	YOKE, LH THREAD	2	2	2	2	2	2	2	2	2	1415-312-5000-0
50-16	1871419	PIN, YOKE A	2	2	2	2	2	2	2	2	2	1404-312-0060-0
50-17	1860414	WASHER/M8	2	2	2	2	2	2	2	2	2	V41316-000800
50-18	1860502	PIN, SPLIT/2×18	2	2	2	2	2	2	2	2	2	V50015-200180
50-19	1871412	SPRING, PARKING BRAKE	2	2	2	2	2	2	2	2	2	1403-312-0030-0
50-20	1862780	STOPPER, PARKING	1	1	1	1	1	1	1	1	1	1421-312-0011-0
50-21	1860216	BOLT/M8×20	1	1	1	1	1	1	1	1	1	V20126-080200
50-22	1860304	NUT/M8	1	1	1	1	1	1	1	1	1	V30026-000800
50-23	1862781	SPRING, TENSION/53	1	1	1	1	1	1	1	1	1	1414-312-0020-0
50-24	1860214	BOLT/M8×16	1	1	1	1	1	1	1	1	1	V20126-080160
50-25	1862884	STEP, LH	1	1	1	1	1	1	1	1	1	1422-671-2000-0
50-26	1862885	STEP, RH	1	1	1	1	1	1	1	1	1	1422-671-2100-0
50-27	1860216	BOLT/M8×20	4	4	4	4	4	4	4	4	4	V20126-080200
50-28	1860403	WASHER, SP/M8	4	4	4	4	4	4	4	4	4	V40116-000800

**Fig.51 BRAKE**



Ref No.	Parts Code	Name	Q'ty								Parts Code	
			TS1910				TS2220					
			G	GLF	GB	GLFB	S	SB	LF	LFB		
51- 1	1862784	DRUM, BRAKE	2	2	2	2	2	2	2	2	2	1430-310-0010-0
51- 2	1862785	WASHER, DRUM	2	2	2	2	2	2	2	2	2	1419-310-0020-0
51- 3	1860239	BOLT/M12×30 9T	2	2	2	2	2	2	2	2	2	V20146-120300
51- 4	1860405	WASHER, SP/M12	2	2	2	2	2	2	2	2	2	V40116-001200
51- 5	1862786	WASHER, LOCK	2	2	2	2	2	2	2	2	2	1419-310-0030-0
51- 6	1862787	SHOE, BRAKE	4	4	4	4	4	4	4	4	4	1430-310-2000-0
51- 6-1	1862787	SHOE, BRAKE	4	4	4	4	4	4	4	4	4	1430-310-2000-0
51- 7	1862789	COVER, BRAKE LH	1	1	1	1	1	1	1	1	1	1430-310-2201-0
51- 8	1862790	COVER, BRAKE RH	1	1	1	1	1	1	1	1	1	1430-310-2301-0
51- 9	1862791	CAM, BRAKE	2	2	2	2	2	2	2	2	2	1430-310-2400-0
51-10	1862861	O-RING/P16	2	2	2	2	2	2	2	2	2	V72010-240160
51-11	1860704	RING, SNAP/20	2	2	2	2	2	2	2	2	2	V70414-002000
51-12	1862887	NIPPLE, GREASE	2	2	2	2	2	2	2	2	2	V76440-000000
51-13	1862792	SPRING, TENSION	4	4	4	4	4	4	4	4	4	1414-310-0030-0
51-14	1871309	PLUG, DRAIN	2	2	2	2	2	2	2	2	2	1326-706-0020-0
51-15	1860235	BOLT/M8×25	4	4	4	4	4	4	4	4	4	V20146-080250
51-16	1860403	WASHER, SP/M8	8	8	8	8	8	8	8	8	8	V40116-000800
51-17	1862255	NUT/M8	4	4	4	4	4	4	4	4	4	V30346-000800
51-18	1862793	PACKING, BRAKE COVER	2	2	2	2	2	2	2	2	2	1430-310-0020-0

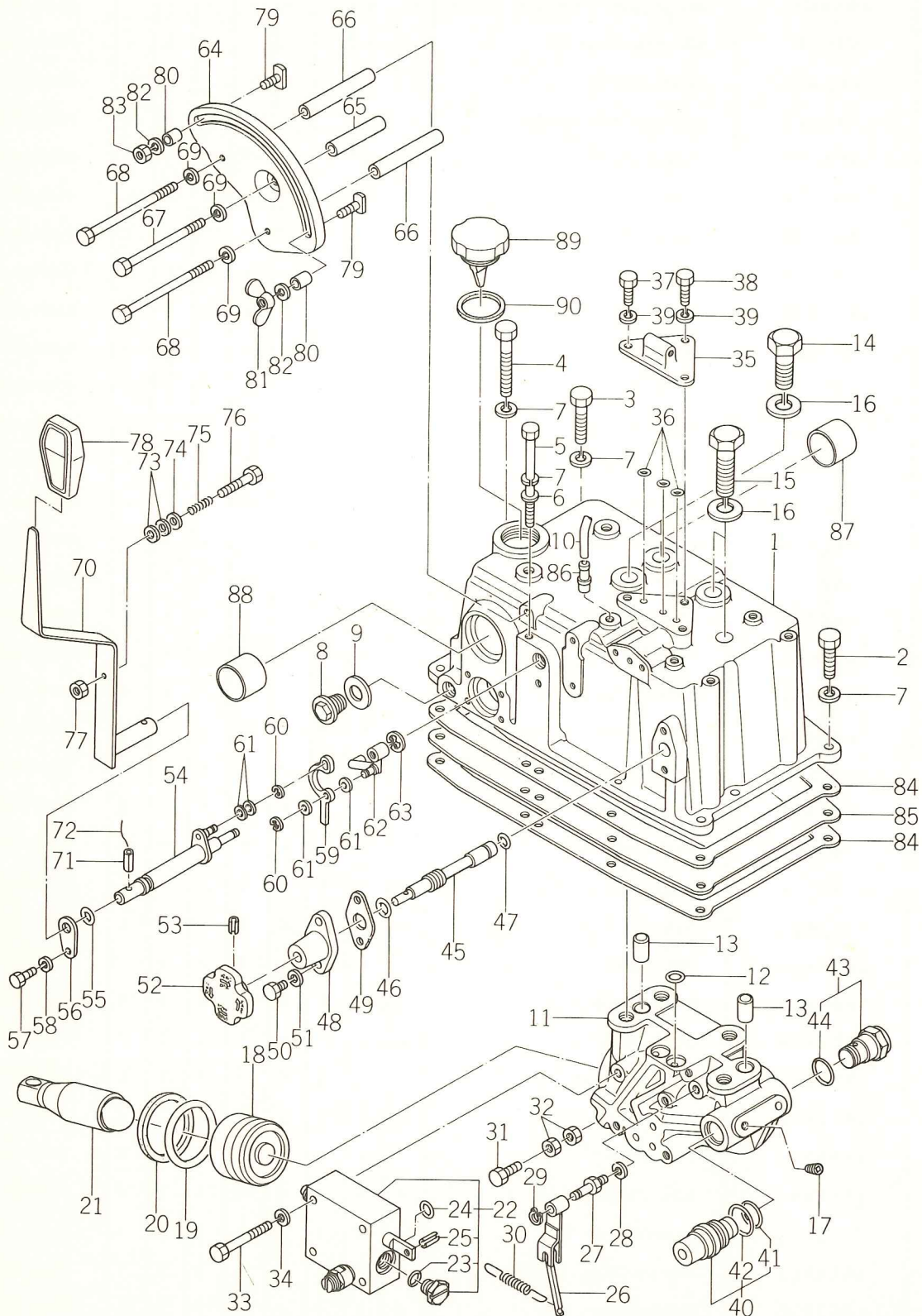
**Fig.52 HYDRAULIC SYSTEM**





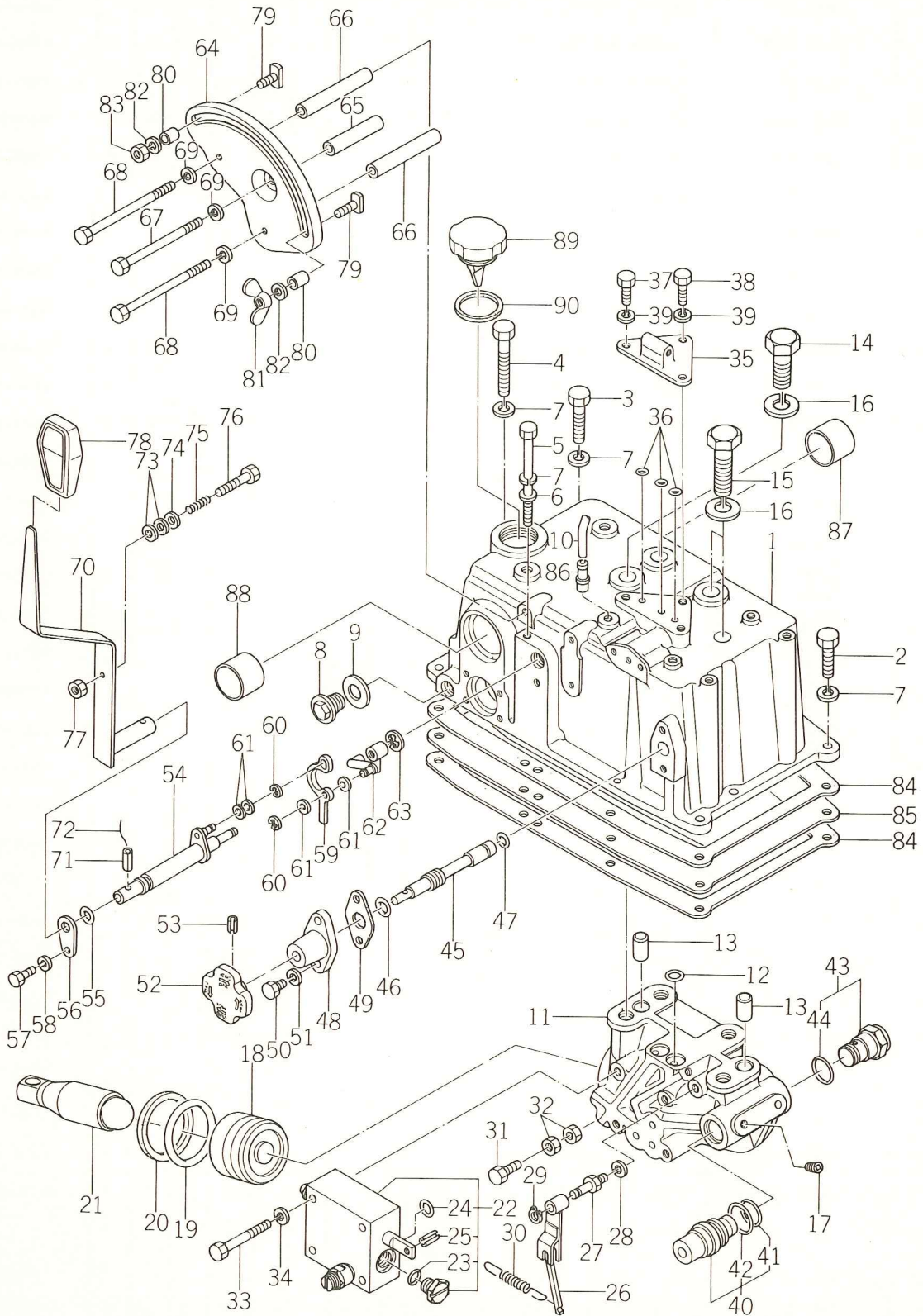
Ref No.	Parts Code	Name	Q'ty								Parts Code
			TS1910				TS2220				
			G	GLF	GB	GLFB	S	SB	LF	LFB	
52- 1	1862794	CASE, CYL	1	1	1	1	1	1	1	1	1421-505-0011-0
52- 2	1860256	BOLT/M10×35 9T	7	7	7	7	7	7	7	7	V20146-100350
52- 3	1862911	BOLT/M10×45 9T	1	1	1	1	1	1	1	1	V20146-100450
52- 4	1862912	BOLT/M10×70 9T	1	1	1	1	1	1	1	1	V20146-100700
52- 5	1862917	BOLT/M10×137 9T	1	1	1	1	1	1	1	1	V20146-101370
52- 6	1860415	WASHER/M10	1	1	1	1	1	1	1	1	V41316-001000
52- 7	1860404	WASHER, SP/M10	10	10	10	10	10	10	10	10	V40116-001000
52- 8	1871572	PLUG, DRAIN	1	1	1	1	1	1	1	1	1427-201-0070-0
52- 9	1871573	WASHER, SEAL/16	1	1	1	1	1	1	1	1	1427-201-0080-0
52-10	1860990	PIPE, BREATHER	1	1	1	1	1	1	1	1	1421-501-0060-0
52-11	1862888	CYLINDER	1	1	1	1	1	1	1	1	1422-551-0010-0
52-12	1862925	O-RING/P14	2	2	2	2	2	2	2	2	V72011-240140
52-13	1862926	PIN, A/14×20	2	2	2	2	2	2	2	2	V52010-140200
52-14	1862927	BOLT/M14×38 9T	2	2	2	2	2	2	2	2	V20146-140380
52-15	1862928	BOLT/M14×55 9T	2	2	2	2	2	2	2	2	V20146-140550
52-16	1862426	WASHER, SP/M14	4	4	4	4	4	4	4	4	V40116-001400
52-17	1862933	PLUG	5	5	5	5	5	5	5	5	V78010-000020
52-18	1862797	PISTON	1	1	1	1	1	1	1	1	1421-507-0021-0
52-19	1862941	O-RING/P55	1	1	1	1	1	1	1	1	V72010-570550
52-20	1862798	RING, BACK-UP	1	1	1	1	1	1	1	1	1416-501-0110-0
52-21	1862799	ROD	1	1	1	1	1	1	1	1	1421-507-0030-0
52-22	1862891	VALVE, CONTROL ASSY	1	1	1	1	1	1	1	1	1422-551-2000-0
52-23	1860931	•O-RING/P12	2	2	2	2	2	2	2	2	V72011-240120
52-24	1862925	•O-RING/P14	3	3	3	3	3	3	3	3	V72011-240140
52-25	1860515	•PIN, SPRING/W 5×20	1	1	1	1	1	1	1	1	V58014-050200
52-26	1862893	FORK	1	1	1	1	1	1	1	1	1422-551-2200-0
52-27	1862894	PIN, FORK	1	1	1	1	1	1	1	1	1422-551-0020-0
52-28	1860403	WASHER, SP/M8	1	1	1	1	1	1	1	1	V40116-000800
52-29	1862943	RING, SNAP/E 6	1	1	1	1	1	1	1	1	V71014-000600
52-30	1862904	SPRING, FORK	1	1	1	1	1	1	1	1	1422-551-0030-0
52-31	1860217	BOLT/M8×25	1	1	1	1	1	1	1	1	V20126-080250
52-32	1860304	NUT/M8	2	2	2	2	2	2	2	2	V30026-000800
52-33	1862866	BOLT/M8×50	4	4	4	4	4	4	4	4	V20126-080500
52-34	1860403	WASHER, SP/M8	4	4	4	4	4	4	4	4	V40116-000800
52-35	1862801	COVER, SUB CONTROL	1	1	1	1	1	1	1	1	1416-505-0030-0
52-36	1862925	O-RING/P14	3	3	3	3	3	3	3	3	V72011-240140
52-37	1860216	BOLT/M8×20	2	2	2	2	2	2	2	2	V20126-080200
52-38	1860217	BOLT/M8×25	1	1	1	1	1	1	1	1	V20126-080250

**Fig.52 HYDRAULIC SYSTEM**



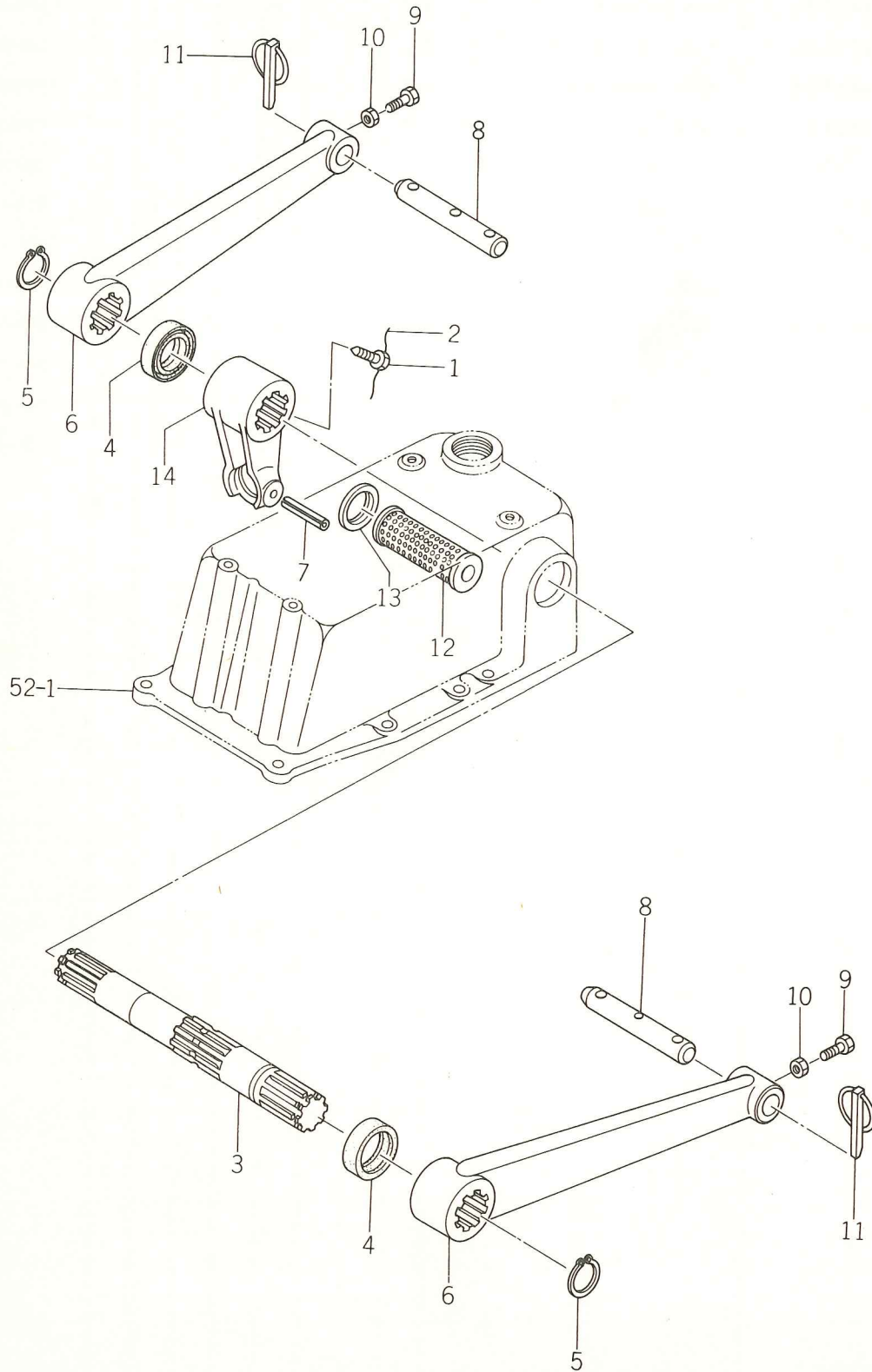
Ref No.	Parts Code	Name	Q'ty								Parts Code
			TS1910				TS2220				
			G	GLF	GB	GLFB	S	SB	LF	LFB	
52-39	1860403	WASHER, SP/M8	3	3	3	3	3	3	3	3	V40116-000800
52-40	1862802	VALVE, RETURN CHECK ASSY	1	1	1	1	1	1	1	1	1421-507-2100-0
52-41	1862947	•O-RING/P16	1	1	1	1	1	1	1	1	V72011-240160
52-42	1862949	•O-RING/P22	1	1	1	1	1	1	1	1	V72011-240220
52-43	1862803	VALVE, SAFETY ASSY	1	1	1	1	1	1	1	1	1421-507-2200-0
52-44	1862947	•O-RING/P16	1	1	1	1	1	1	1	1	V72011-240160
52-45	1862804	SCREW, ADJ	1	1	1	1	1	1	1	1	1421-507-0041-0
52-46	1860918	O-RING/P10A	1	1	1	1	1	1	1	1	V72010-240100
52-47	1862950	O-RING/P7	1	1	1	1	1	1	1	1	V72011-190070
52-48	1862805	METAL, SCREW	1	1	1	1	1	1	1	1	1421-507-0052-0
52-49	1862807	PACKING, SCREW METAL	1	1	1	1	1	1	1	1	1421-507-0060-0
52-50	1860216	BOLT/M8×20	2	2	2	2	2	2	2	2	V20126-080200
52-51	1860403	WASHER, SP/M8	2	2	2	2	2	2	2	2	V40116-000800
52-52	1862829	HANDLE, ADJ	1	1	1	1	1	1	1	1	1421-507-0180-0
52-53	1862952	PIN, SPRING/W 3×16	1	1	1	1	1	1	1	1	V58014-030160
52-54	1862965	SHAFT, CONTROL	1	1	1	1	1	1	1	1	1422-551-2100-0
52-55	1860931	O-RING/P12	1	1	1	1	1	1	1	1	V72011-240120
52-56	1862810	STOPPER	1	1	1	1	1	1	1	1	1421-507-0070-0
52-57	1860214	BOLT/M8×16	1	1	1	1	1	1	1	1	V20126-080160
52-58	1860403	WASHER, SP/M8	1	1	1	1	1	1	1	1	V40116-000800
52-59	1862811	ARM, PUSH	1	1	1	1	1	1	1	1	1421-507-0080-0
52-60	1862955	RING, SNAP/E 4	2	2	2	2	2	2	2	2	V71014-000400
52-61	1860413	WASHER/M6	4	4	4	4	4	4	4	4	V41316-000600
52-62	1862812	ARM, FEEDBACK	1	1	1	1	1	1	1	1	1421-507-2500-0
52-63	1860258	RING, SNAP/E 6	1	1	1	1	1	1	1	1	V71014-000600
52-64	1862813	GUIDE, LEVER	1	1	1	1	1	1	1	1	1421-507-0090-0
52-65	1862814	COLLAR/9×14×77	1	1	1	1	1	1	1	1	1421-507-0110-0
52-66	1862815	COLLAR/9×14×87	2	2	2	2	2	2	2	2	1421-507-0120-0
52-67	1862959	BOLT/M8×92	1	1	1	1	1	1	1	1	V20126-080920
52-68	1862960	BOLT/M8×100	2	2	2	2	2	2	2	2	V20126-081000
52-69	1860403	WASHER, SP/M8	3	3	3	3	3	3	3	3	V40116-000800
52-70	1862966	LEVER, CONTROL	1	1	1	1	1	1	1	1	1422-551-2300-0
52-71	1862963	PIN, SPRING/W 5×18	1	1	1	1	1	1	1	1	V58014-050180
52-72		WIRE/0.9×90	1	1	1	1	1	1	1	1	
52-73	1862817	LINING	2	2	2	2	2	2	2	2	1421-507-0130-0
52-74	1862818	WASHER/6×24×2	1	1	1	1	1	1	1	1	1421-507-0140-0
52-75	1862819	SPRING, PRESS/26	1	1	1	1	1	1	1	1	1421-507-0150-0
52-76	1862964	BOLT/M6×40	1	1	1	1	1	1	1	1	V20026-060400

**Fig.52 HYDRAULIC SYSTEM**



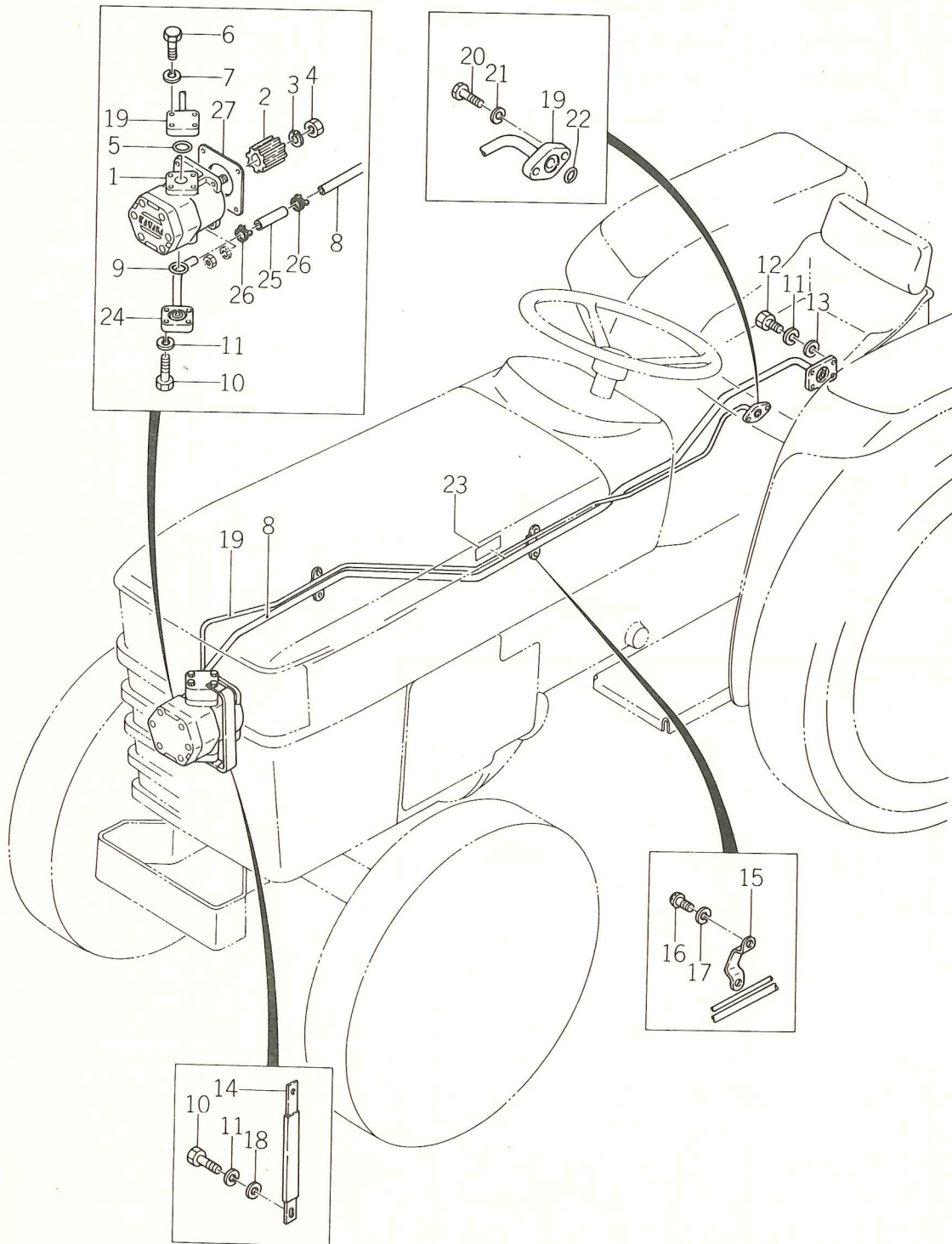
Ref No.	Parts Code	Name	Q'ty								Parts Code	
			TS1910				TS2220					
			G	GLF	GB	GLFB	S	SB	LF	LFB		
52-77	1862967	NUT/M6	1	1	1	1	1	1	1	1	1	V30226-000600
52-78	1862969	GRIP, B	1	1	1	1	1	1	1	1	1	1432-242-0040-0
52-79	1862820	BOLT, LEVER SET	2	2	2	2	2	2	2	2	2	1421-507-0160-0
52-80	1862821	COLLAR/9×14×8	2	2	2	2	2	2	2	2	2	1421-507-0170-0
52-81	1862968	NUT, WING/M8	1	1	1	1	1	1	1	1	1	V37016-000800
52-82	1860403	WASHER, SP/M8	2	2	2	2	2	2	2	2	2	V40116-000800
52-83	1860304	NUT/M8	1	1	1	1	1	1	1	1	1	V30026-000800
52-84	1862822	PACKING, OIL PAN	2	2	2	2	2	2	2	2	2	1414-501-0030-0
52-85	1862823	PAN, OIL	1	1	1	1	1	1	1	1	1	1421-501-0030-0
52-86	1862864	NIPPLE, BREATHER/30	1	1	1	1	1	1	1	1	1	1421-207-0030-0
52-87	1862825	BUSH/40×45×37	1	1	1	1	1	1	1	1	1	1414-501-0090-0
52-88	1862826	BUSH/35×40×35	1	1	1	1	1	1	1	1	1	1414-501-0100-0
52-89	1862827	CAP	1	1	1	1	1	1	1	1	1	1414-501-0080-0
52-90	1862828	PACKING, CAP	1	1	1	1	1	1	1	1	1	1404-201-0180-0

**Fig.53 HYDRAULIC LIFT ARM**



Ref No.	Parts Code	Name	Q'ty								Parts Code	
			TS1910				TS2220					
			G	GLF	GB	QLFB	S	SB	LF	LFB		
53- 1	1862830	BOLT/M8×20	1	1	1	1	1	1	1	1	1	1403-209-0060-0
53- 2		WIRE/1.5×250	1	1	1	1	1	1	1	1	1	
53- 3	1862831	SHAFT, LIFT	1	1	1	1	1	1	1	1	1	1421-506-0010-0
53- 4	1862970	SEAL, OIL/TC35488	2	2	2	2	2	2	2	2	2	V74413-548080
53- 5	1860709	RING, SNAP/C 35	2	2	2	2	2	2	2	2	2	V70414-003500
53- 6	1862832	ARM, LIFT	2	2	2	2	2	2	2	2	2	1419-502-0020-0
53- 7	1862971	PIN, SPRING/W 8×50	1	1	1	1	1	1	1	1	1	V58014-080500
53- 8	1862833	PIN, LIFT ARM	2	2	2	2	2	2	2	2	2	1414-502-0080-0
53- 9	1871421	BOLT/M8×25 S=25	2	2	2	2	2	2	2	2	2	1404-502-0130-0
53-10	1860310	NUT/M8	2	2	2	2	2	2	2	2	2	V30226-000800
53-11	1871405	PIN, LINK	2	2	2	2	2	2	2	2	2	1402-500-9010-0
53-12	1862834	FILTER, SUCTION	1	1	1	1	1	1	1	1	1	1414-503-0050-0
53-13	1862835	SEAL, FILTER	1	1	1	1	1	1	1	1	1	1414-503-0060-0
53-14	1862836	CRANK, LIFT	1	1	1	1	1	1	1	1	1	1421-506-2000-0

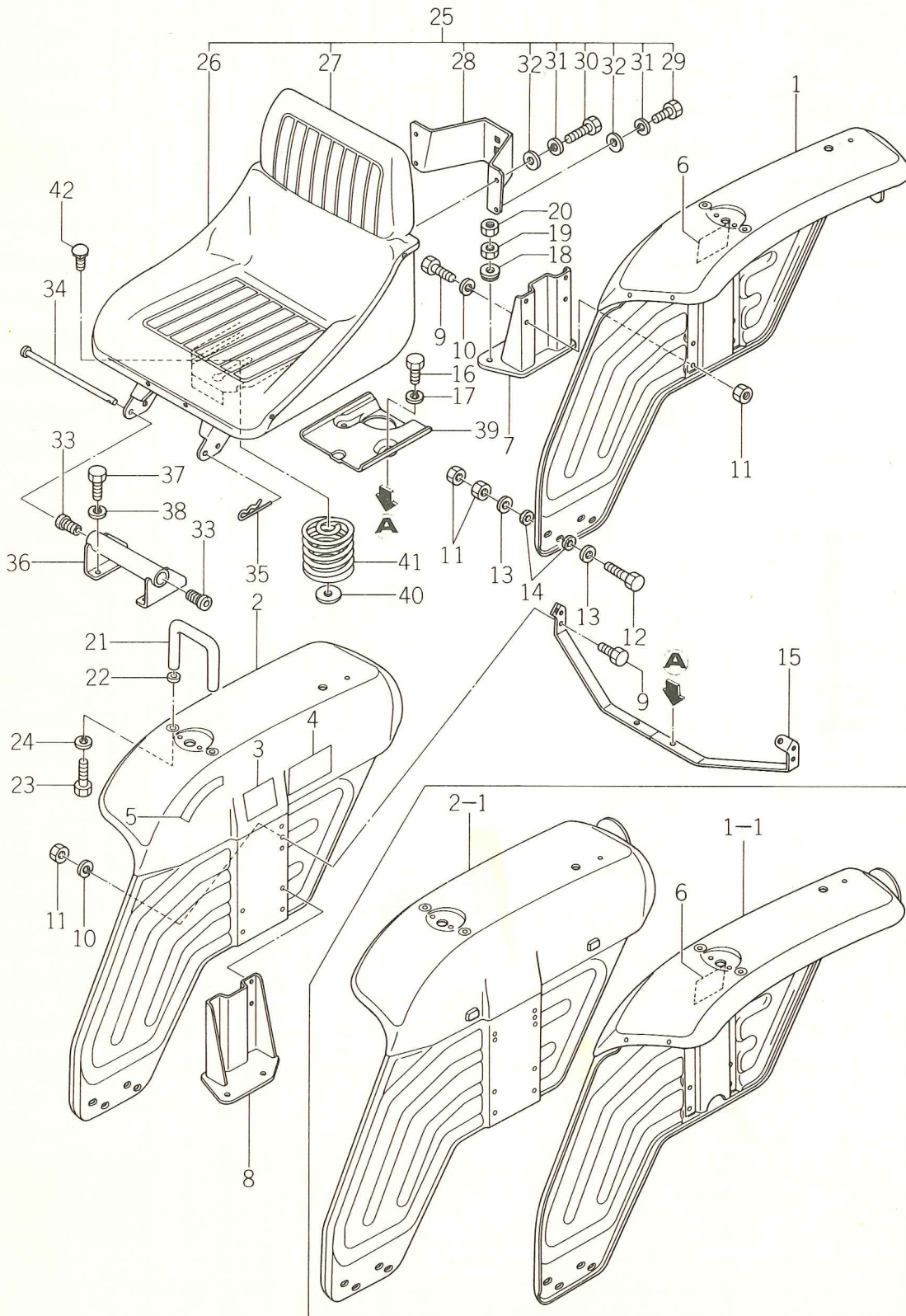
Fig.54 HYDRAULIC PIPING





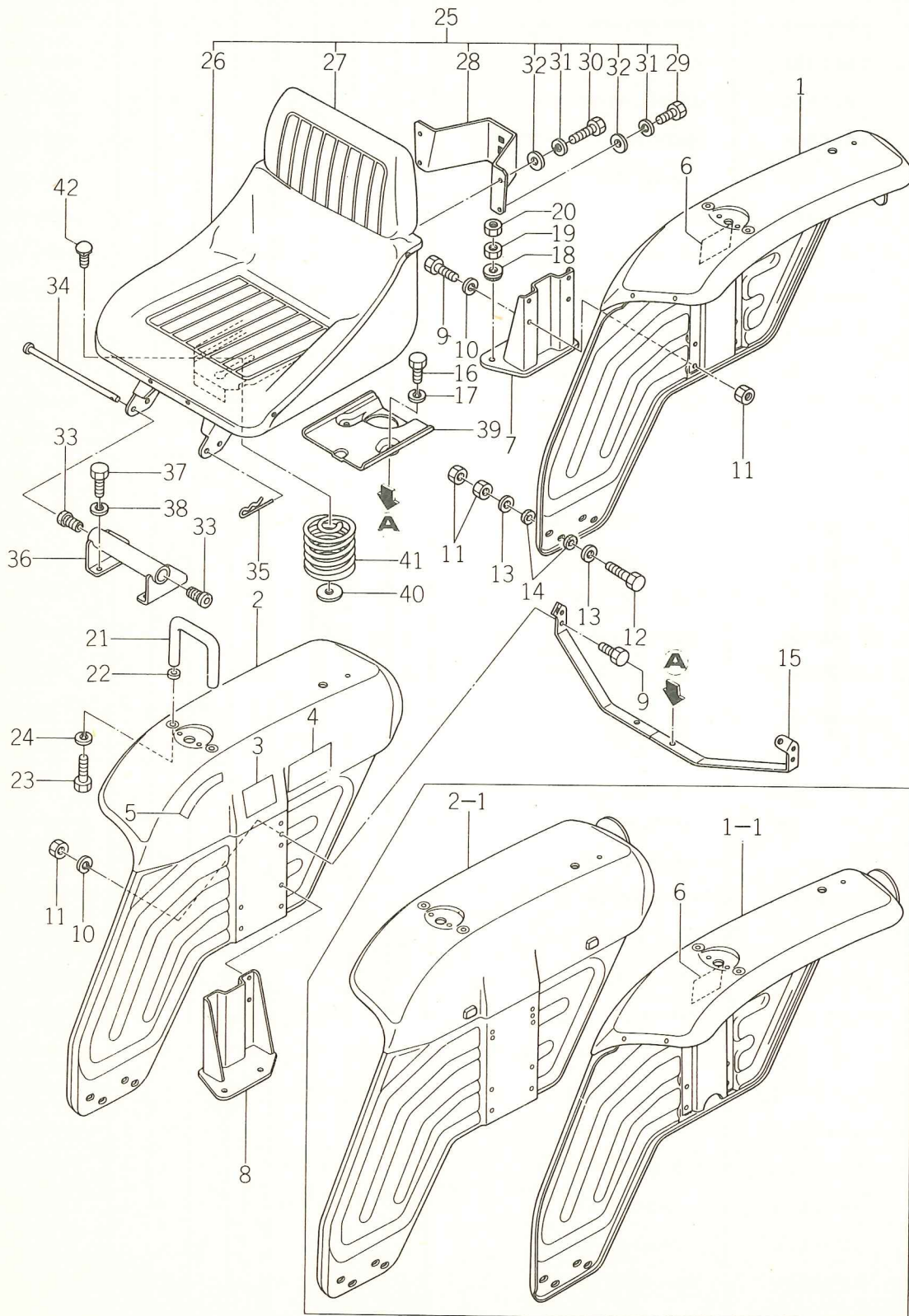
Ref No.	Parts Code	Name	Q'ty								Parts Code		
			TS1910				TS2220						
			G	GLF	GB	GLFB	S	SB	LF	LFB			
54- 1	1862837	PUMP, GEAR UNIT	1	1					1		1		1421-503-0040-0
54- 1-1	1862972	PUMP, GEAR UNIT			1	1				1		1	1423-505-0010-0
54- 2	1862838	BOSS, SPLINE/25	1	1	1	1		1	1	1	1	1	1404-503-0080-0
54- 3	1862839	WASHER, GEAR PUMP	1	1	1	1		1	1	1	1	1	1404-503-0090-0
54- 4	1862375	NUT/M8	1	1	1	1		1	1	1	1	1	V30326-000800
54- 5	1862943	O-RING/P20	1	1	1	1		1	1	1	1	1	V72011-240200
54- 6	1860206	BOLT/M6×30	4	4	4	4		4	4	4	4	4	V20026-060300
54- 7	1860402	WASHER, SP/M6	4	4	4	4		4	4	4	4	4	V40116-000600
54- 8	1862973	PIPE, SUCTION A	1	1	1	1		1	1	1	1	1	1421-503-4100-0
54- 9	1862943	O-RING/P20	1	1	1	1		1	1	1	1	1	V72011-240200
54-10	1860206	BOLT/M6×30	4	4	4	4		4	4	4	4	4	V20026-060300
54-11	1860402	WASHER, SP/M6	8	8	8	8		8	8	8	8	8	V40116-000600
54-12	1860202	BOLT/M6×16	4	4	4	4		4	4	4	4	4	V20026-060160
54-13	1860413	WASHER/M6	4	4	4	4		4	4	4	4	4	V41316-000600
54-14	1862841	BAND, HOSE	1	1	1	1		1	1	1	1	1	1421-503-3000-0
54-15	1862842	CLAMP, PIPE B	1	1	1	1		1	1	1	1	1	1416-506-0040-0
54-16	1862979	SCREW/M8×16	2	2	2	2		2	2	2	2	2	V11116-800160
54-17	1860403	WASHER, SP/M8	2	2	2	2		2	2	2	2	2	V40116-000800
54-18	1860413	WASHER/M6	1	1	1	1		1	1	1	1	1	V41316-000600
54-19	1862843	PIPE, DEL	1	1	1	1		1	1	1	1	1	1421-508-2000-0
54-20	1860217	BOLT/M8×25	2	2	2	2		2	2	2	2	2	V20126-080250
54-21	1860403	WASHER, SP/M8	2	2	2	2		2	2	2	2	2	V40116-000800
54-22	1862925	O-RING/P14	1	1	1	1		1	1	1	1	1	V72011-240140
54-23	1873729	MARK, F. SHIFT		1		1					1	1	1427-943-0041-0
54-24	1862974	PIPE, SUCTION B	1	1	1	1		1	1	1	1	1	1421-503-4200-0
54-25	1862975	HOSE/RUBBER 14×20×100	1	1	1	1		1	1	1	1	1	1421-503-0050-0
54-26	1862976	CLIP/21	2	2	2	2		2	2	2	2	2	1421-503-0060-0
54-27	1862977	PACKING, OIL PUMP	1	1	1	1		1	1	1	1	1	1404-503-0060-0

**Fig.55 FENDER AND SEAT**



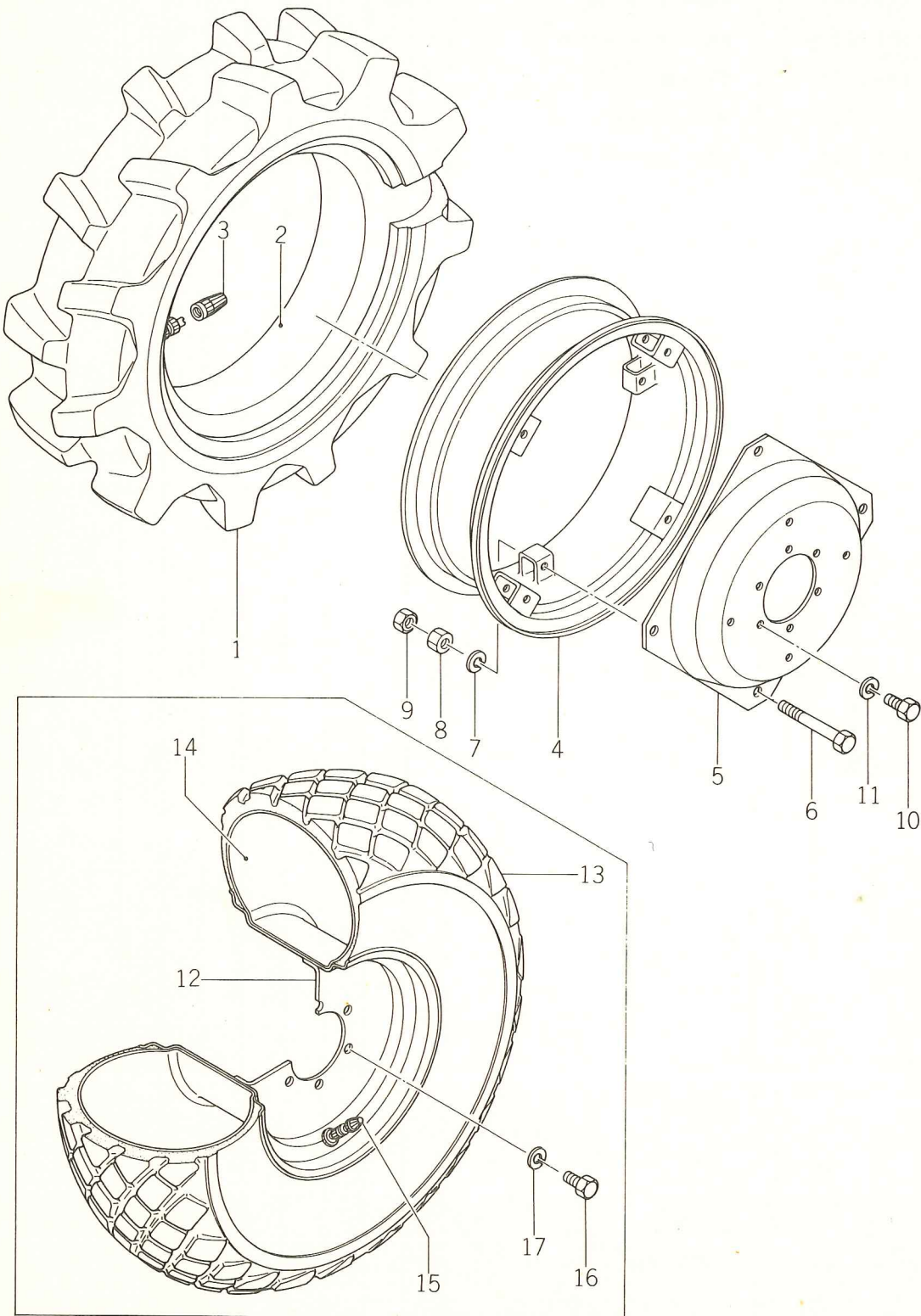
Ref No.	Parts Code	Name	Q'ty								Parts Code		
			TS 1 9 1 0				TS 2 2 2 0						
			G	GLF	GB	GLFB	S	SB	LF	LFB			
55- 1	1862845	FENDER, LH	1	1	1	1							1421-606-3000-2
55- 1-1	1862983	FENDER, LH						1	1	1	1		1438-665-2000-2
55- 2	1862846	FENDER, RH	1	1	1	1							1421-606-4001-2
55- 2-1	1862985	FENDER, RH						1	1	1	1		1438-665-2100-2
55- 3	1871914	MARK, DIFF LOCK	1	1	1	1	1	1	1	1	1		1427-941-0130-0
55- 4	1871906	MARK, DRIVE CAUTION	1	1	1	1	1	1	1	1	1		1427-941-0040-0
55- 5	1862986	MARK, POSITION	1	1	1	1	1	1	1	1	1		1422-940-0050-0
55- 6	1863009	MARK, DRIVE	1	1	1	1	1	1	1	1	1		1422-940-0150-0
55- 7	1863010	BASE, FENDER LH	1	1	1	1	1	1	1	1	1		1422-665-2000-0
55- 8	1863011	BASE, FENDER RH	1	1	1	1	1	1	1	1	1		1422-665-2100-0
55- 9	1860216	BOLT/M8×20	12	12	12	12	12	12	12	12	12		V20126-080200
55-10	1860403	WASHER, SP/M8	12	12	12	12	12	12	12	12	12		V40116-000800
55-11	1860304	NUT/M8	20	20	20	20	20	20	20	20	20		V30026-000800
55-12	1860218	BOLT/M8×30	4	4	4	4	4	4	4	4	4		V20126-080300
55-13	1860414	WASHER/M8	8	8	8	8	8	8	8	8	8		V41316-000800
55-14	1862860	CUSHION/RUBBER	8	8	8	8	8	8	8	8	8		1423-621-0180-0
55-15	1863012	STAY, FENDER	1	1	1	1	1	1	1	1	1		1422-665-2200-0
55-16	1860225	BOLT/M10×20	2	2	2	2	2	2	2	2	2		V20126-100200
55-17	1860404	WASHER, SP/M10	2	2	2	2	2	2	2	2	2		V40116-001000
55-18	1862981	CUSHION, BASE	4	4	4	4	4	4	4	4	4		1421-606-0030-0
55-19	1860306	NUT/M12	4	4	4	4	4	4	4	4	4		V30026-001200
55-20	1860311	NUT/M12	4	4	4	4	4	4	4	4	4		V30226-001200
55-21	1862855	CATCHER, HAND	2	2	2	2	2	2	2	2	2		1421-606-0020-0
55-22	1862480	WASHER	4	4	4	4	4	4	4	4	4		3560-201-0150-0
55-23	1860216	BOLT/M8×20	4	4	4	4	4	4	4	4	4		V20126-080200
55-24	1860403	WASHER, SP/M8	4	4	4	4	4	4	4	4	4		V40116-000800
55-25	*	SEAT ASSY	1	1	1	1	1	1	1	1	1		
55-26	1863014	•SEAT, A	1	1	1	1	1	1	1	1	1		1422-668-2010-0
55-27	1863031	•SEAT, B	1	1	1	1	1	1	1	1	1		1422-668-2020-0
55-28	1863033	•PLATE, MOVING SET	1	1	1	1	1	1	1	1	1		1422-668-2030-0
55-29	1862980	•BOLT/M6×20	2	2	2	2	2	2	2	2	2		V20126-060200
55-30	1860257	•BOLT/M6×30	2	2	2	2	2	2	2	2	2		V20126-060300
55-31	1860402	•WASHER, SP/M6	4	4	4	4	4	4	4	4	4		V40116-000600
55-32	1860413	•WASHER/M6	4	4	4	4	4	4	4	4	4		V41316-000600
55-33	1871474	CUSHION/RUBBER	2	2	2	2	2	2	2	2	2		1421-611-0040-0
55-34	1863034	PIN, SEAT SET	1	1	1	1	1	1	1	1	1		3737-154-0020-0
55-35	1871302	PIN, HAIR	1	1	1	1	1	1	1	1	1		1305-241-0010-0
55-36	1863035	BRACKET, SEAT A	1	1	1	1	1	1	1	1	1		1422-668-2200-0

**Fig.55 FENDER AND SEAT**



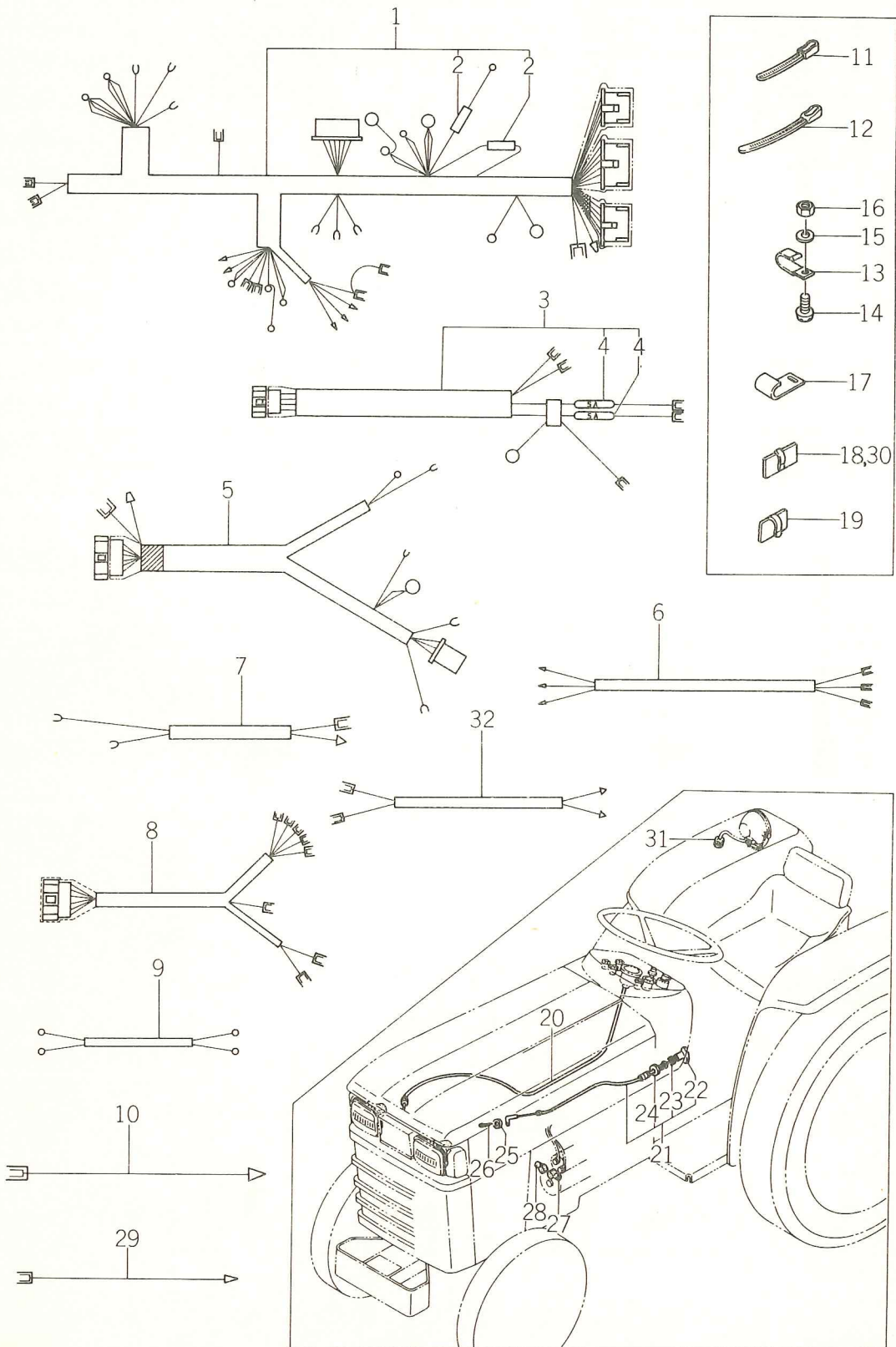
Ref No.	Parts Code	Name	Qty								Parts Code
			TS1910				TS2220				
			G	GLF	GB	GLFB	S	SB	LF	LFB	
55-37	1860214	BOLT/M8×16	4	4	4	4	4	4	4	4	V20126-080160
55-38	1860403	WASHER, SP/M8	4	4	4	4	4	4	4	4	V40116-000800
55-39	1863037	BRACKET, SEAT B	1	1	1	1	1	1	1	1	1422-668-0020-0
55-40	1863038	WASHER	1	1	1	1	1	1	1	1	1422-668-2100-0
55-41	1733960	SPRING, SEAT	1	1	1	1	1	1	1	1	
55-42	1863036	BOLT/M10×38	1	1	1	1	1	1	1	1	V24026-100380

**Fig.56 REAR WHEEL**



Ref No.	Parts Code	Name	Q'ty								Parts Code
			TS1910				TS2220				
			G	GLF	GB	GLFB	S	SB	LF	LPB	
56- 0-1	*	TIRE, R SET	1	1	1	1	1	1	1	1	
56- 0-2	*	*TIRE, LH ASSY	1	1	1	1	1	1	1	1	1422-361-2100-0
56- 0-3	*	*TIRE, RH ASSY	1	1	1	1	1	1	1	1	1422-361-2200-0
56- 1	1863043	** TIRE/8.3-24	2	2	2	2	2	2	2	2	1422-361-2110-0
56- 2	1863044	** TUBE/8.3-24	2	2	2	2	2	2	2	2	V88900-083240
56- 3	1860908	** CAP, TIRE VALVE	2	2	2	2	2	2	2	2	V99930-000100
56- 4	1862878	** RIM, WHEEL/W7-24	2	2	2	2	2	2	2	2	1416-317-1000-2
56- 5	1862879	** DISK, R WHEEL	2	2	2	2	2	2	2	2	1404-317-0050-2
56- 6	1863045	** BOLT/M16x85	8	8	8	8	8	8	8	8	V20146-160850
56- 7	1860406	** WASHER, SP/M16	8	8	8	8	8	8	8	8	V40116-001600
56- 8	1863046	** NUT/M16 7T	8	8	8	8	8	8	8	8	V30046-001600
56- 9	1863047	** NUT/M16 7T	8	8	8	8	8	8	8	8	V30246-001600
56-10	1863048	BOLT/M16x30 9T	12	12	12	12	12	12	12	12	V20146-160300
56-11	1860406	WASHER, SP/M16	12	12	12	12	12	12	12	12	V40116-001600
56- 0-4	*	TIRE, TURF SET	1		1		1	1			
56- 0-5	*	*TIRE, TURF LH ASSY	1		1		1	1			1422-362-2100-0
56- 0-6	*	*TIRE, TURF RH ASSY	1		1		1	1			1422-362-2200-0
56-12	1871962	** RIM, WHEEL/W11-16	2		2		2	2			1422-362-2110-1
56-13	1871963	** TIRE, TURF/13.6-16 4PR	2		2		2	2			1422-362-2120-0
56-14	1871964	** TUBE/13.6-16	2		2		2	2			1422-362-2130-0
56-15	1860908	** CAP, TIRE VALVE	2		2		2	2			V99930-000100
56-16	1863048	BOLT/M16x30 9T	12		12		12	12			V20146-160300
56-17	1860406	WASHER, SP/M16	12		12		12	12			V40116-001600

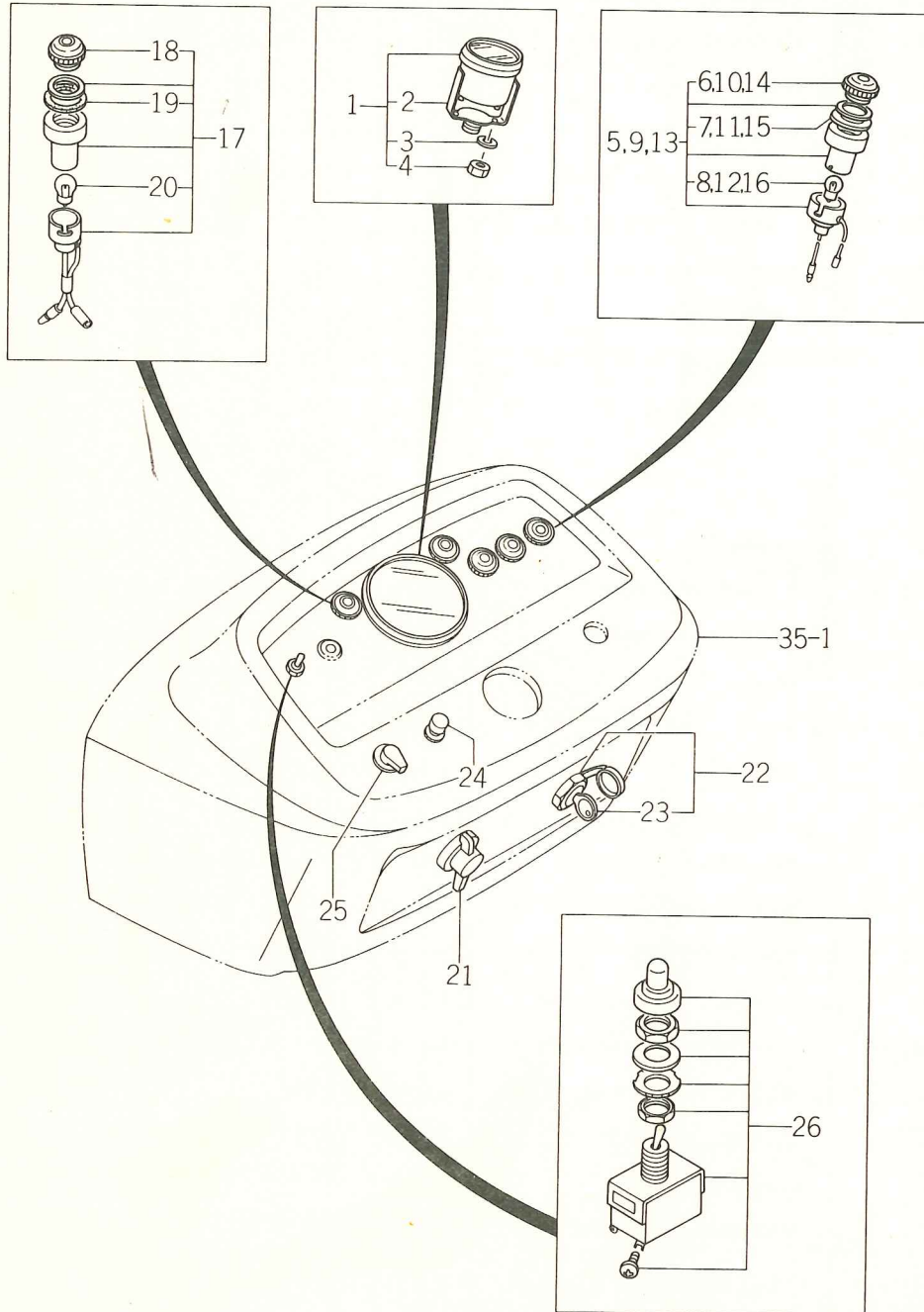
**Fig.57 ELECTRICAL SYSTEM (1)**





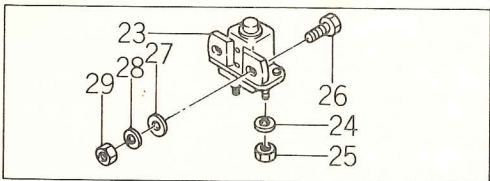
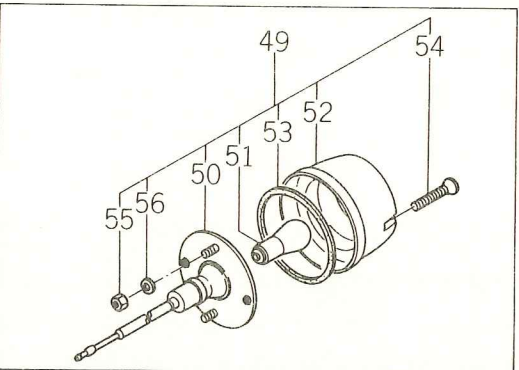
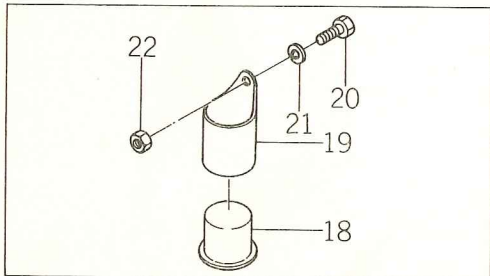
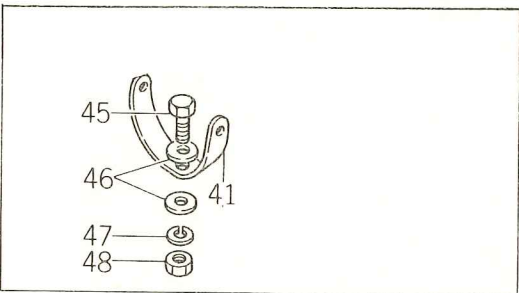
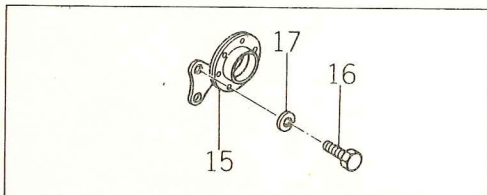
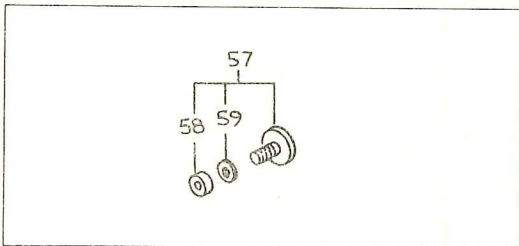
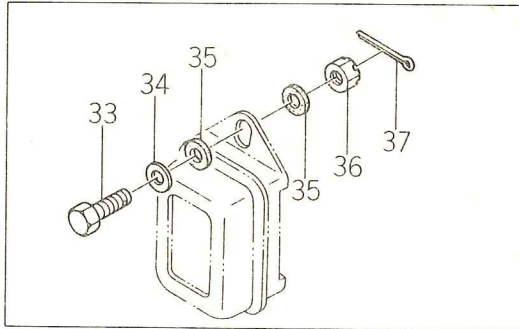
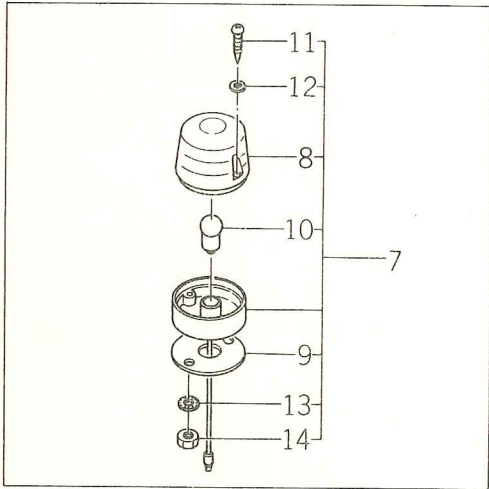
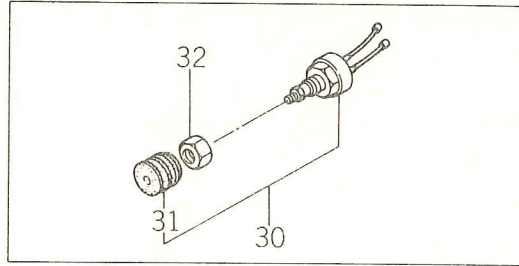
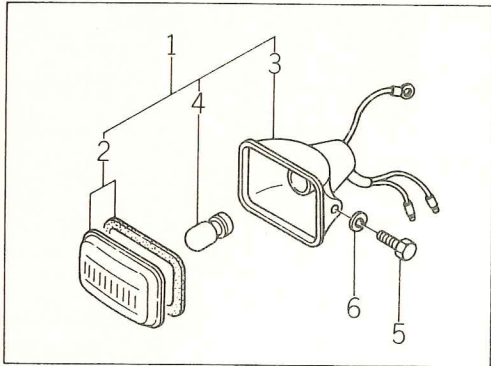
Ref No.	Parts Code	Name	Q'ty								Parts Code	
			TS1910				TS2220					
			G	GLF	GB	GLFB	S	SB	LF	LFB		
57- 1	1871965	HARNESS, WIRE ASSY/NO.1	1	1	1	1	1	1	1	1	1	1422-686-2000-0
57- 2	1871966	• FUSE/15A	1	1	1	1	1	1	1	1	1	1423-621-2010-0
57- 3	1871967	HARNESS, WIRE ASSY/NO.2	1	1	1	1	1	1	1	1	1	1422-686-2100-0
57- 4	1871437	• FUSE/5A	2	2	2	2	2	2	2	2	2	1411-621-0050-0
57- 5	1871968	HARNESS, WIRE/NO.3	1	1	1	1	1	1	1	1	1	1422-686-0011-0
57- 6	1862889	HARNESS, WIRE/NO.4	1	1	1	1	1	1	1	1	1	1421-621-0160-0
57- 7	1862890	HARNESS, WIRE/NO.5	1	1	1	1	1	1	1	1	1	1421-621-0170-0
57- 8	1871969	HARNESS, WIRE/NO.4	1	1	1	1	1	1	1	1	1	1422-686-0020-0
57- 9	1862892	HARNESS, WIRE/NO.7	1	1	1	1	1	1	1	1	1	1421-621-0190-0
57-10	1862895	HARNESS, WIRE/NO.10	2	2	2	2						1421-621-0220-0
57-11	1862896	BAND, WIRE/140	2	2	2	2	2	2	2	2	2	1376-402-0030-0
57-12	1862899	BAND, WIRE/170	3	3	3	3	3	3	3	3	3	1421-621-0380-0
57-13	1873700	CLAMP, WIRE HARNESS	2	2	2	2	2	2	2	2	2	3737-172-0090-0
57-14	1871973	SCREW/M6×12	2	2	2	2	2	2	2	2	2	V11116-060120
57-15	1860402	WASHER, SP/M6	2	2	2	2	2	2	2	2	2	V40116-000600
57-16	1860303	NUT/M6	2	2	2	2	2	2	2	2	2	V30026-000600
57-17	1862900	CLAMP	3	3	3	3	3	3	3	3	3	1317-621-0020-0
57-18	1871970	CLAMP, HARNESS	3	3	3	3	6	6	6	6	6	1421-621-0360-0
57-19	1871971	CLAMP, HARNESS	2	2	2	2	1	1	1	1	1	1426-621-0380-0
57-20	1862883	CABLE, METER	1	1	1	1	1	1	1	1	1	1421-621-0060-0
57-21	1862901	WIRE, STOP ASSY	1	1	1	1	1	1	1	1	1	1421-600-0541-0
57-22	1862902	• KNOB	1	1	1	1	1	1	1	1	1	1421-621-0081-0
57-23	1860302	• NUT/M5	1	1	1	1	1	1	1	1	1	V30026-000500
57-24	1862903	• NUT/M14	1	1	1	1	1	1	1	1	1	1421-621-0070-0
57-25	1871974	WASHER/M5	1	1	1	1	1	1	1	1	1	V41316-000500
57-26	1871975	PIN, SPLIT/1.6×10	1	1	1	1	1	1	1	1	1	V50015-160100
57-27	1862897	COVER, TERMINAL/L14-7	1	1	1	1	1	1	1	1	1	1415-621-0160-0
57-28	1862898	COVER, TERMINAL/L20-13	1	1	1	1	1	1	1	1	1	1415-621-0170-0
57-29	1862923	HARNESS, WIRE/NO.11	1	1	1	1	1	1	1	1	1	1421-621-0370-0
57-30	1871970	CLAMP, HARNESS	1	1	1	1	1	1	1	1	1	1421-621-0360-0
57-31	1862924	GROMMET	1	1	1	1	1	1	1	1	1	1404-621-0300-0
57-32	1871972	HARNESS, WIRE/NO.1					2	2	2	2	2	1438-687-0010-0
57-33	1872001	FUSE/10A	1	1	1	1	1	1	1	1	1	1431-686-2420-0

**Fig.58 ELECTRICAL SYSTEM (2)**



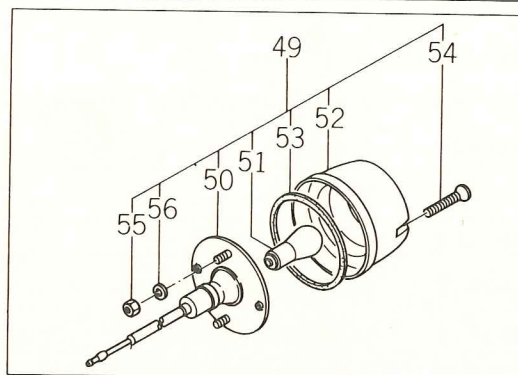
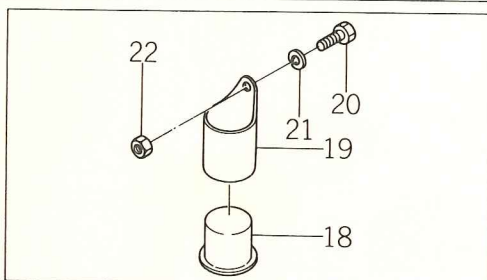
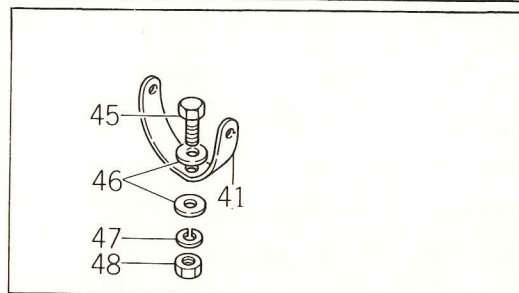
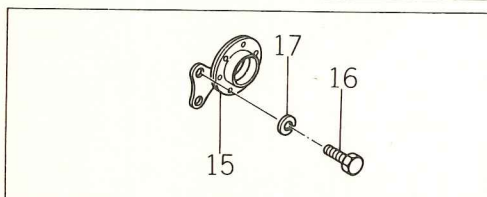
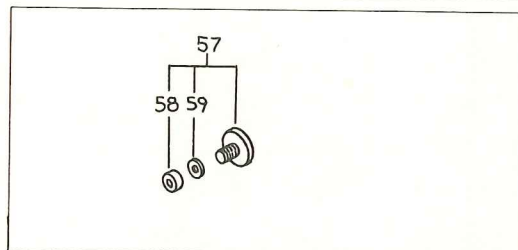
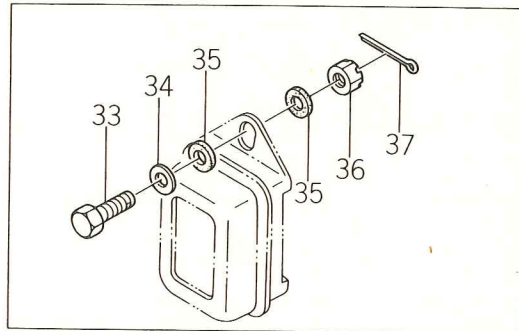
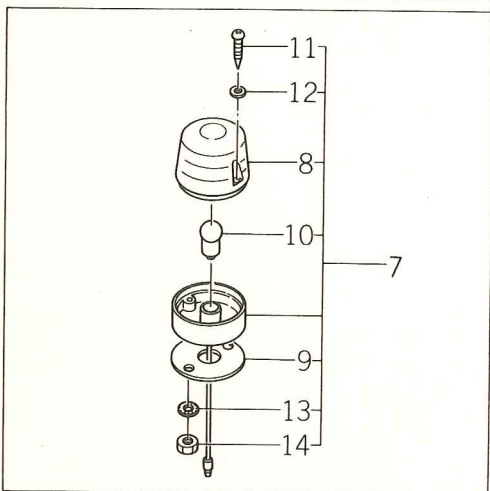
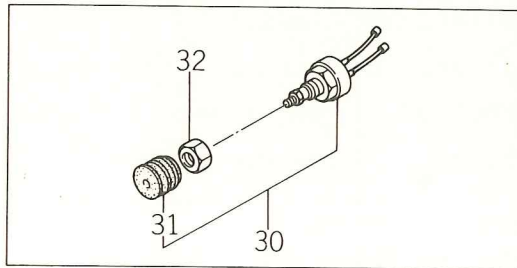
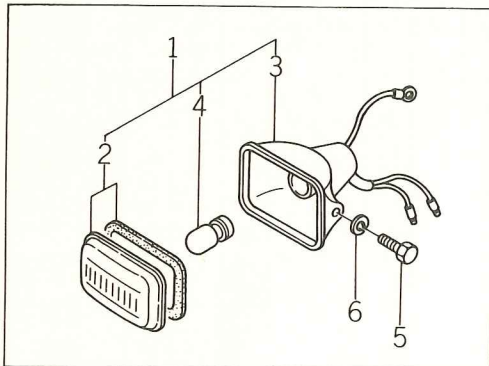
Ref No.	Parts Code	Name	Q'ty								Parts Code
			TS1910				TS2220				
			G	GLF	GB	GLFB	S	SB	LF	LFB	
58- 1	1871976	HOURMETER ASSY	1	1	1	1	1	1	1	1	1422-686-2200-0
58- 2	1862882	• BRACKET	1	1	1	1	1	1	1	1	1421-621-0040-0
58- 3	1860401	• WASHER, SP/M5	2	2	2	2	2	2	2	2	V40116-000500
58- 4	1860302	• NUT/M5	2	2	2	2	2	2	2	2	V30026-000500
58- 5	1871470	LAMP, PILOT A ASSY	1	1	1	1	1	1	1	1	1421-600-0550-0
58- 6	1871462	• LENS	1	1	1	1	1	1	1	1	1419-621-0150-0
58- 7	1871464	• GASKET	1	1	1	1	1	1	1	1	1419-621-0170-0
58- 8	1871415	• BULB/12V 3.4W	1	1	1	1	1	1	1	1	1403-621-0310-0
58- 9	1862905	LAMP, PILOT B ASSY	1	1	1	1	1	1	1	1	1421-600-0560-0
58-10	1871462	• LENS	1	1	1	1	1	1	1	1	1419-621-0150-0
58-11	1871464	• GASKET	1	1	1	1	1	1	1	1	1419-621-0170-0
58-12	1862906	• BULB/6V 3W	1	1	1	1	1	1	1	1	1415-621-0100-0
58-13	1871471	LAMP, PILOT C ASSY	1	1	1	1	1	1	1	1	1421-600-0570-0
58-14	1871462	• LENS	1	1	1	1	1	1	1	1	1419-621-0150-0
58-15	1871464	• GASKET	1	1	1	1	1	1	1	1	1419-621-0170-0
58-16	1871415	• BULB/12V 3.4W	1	1	1	1	1	1	1	1	1403-621-0310-0
58-17	1871977	LAMP, PILOT ASSY	2	2	2	2	2	2	2	2	1431-686-2100-0
58-18	1871978	• LENS	2	2	2	2	2	2	2	2	1431-686-2120-0
58-19	1871464	• GASKET	2	2	2	2	2	2	2	2	1419-621-0170-0
58-20	1871415	• BULB/12V 3.4W	2	2	2	2	2	2	2	2	1403-621-0310-0
58-21	1871460	SWITCH, STARTER	1	1	1	1	1	1	1	1	1416-621-0020-0
58-22	1871430	SWITCH, KEY ASSY	1	1	1	1	1	1	1	1	1407-600-0520-0
58-23	1871433	• KEY (Set of 2)	1	1	1	1	1	1	1	1	1407-621-0120-0
58-24	1871409	SWITCH, PUSH BUTTON	1	1	1	1	1	1	1	1	1402-621-0130-0
58-25	1871414	SWITCH, LEVER	1	1	1	1	1	1	1	1	1403-621-0130-0
58-26	1871979	SWITCH, WARNING ASSY	1	1	1	1	1	1	1	1	1431-686-2200-0

**Fig.59 ELECTRICAL SYSTEM (3)**



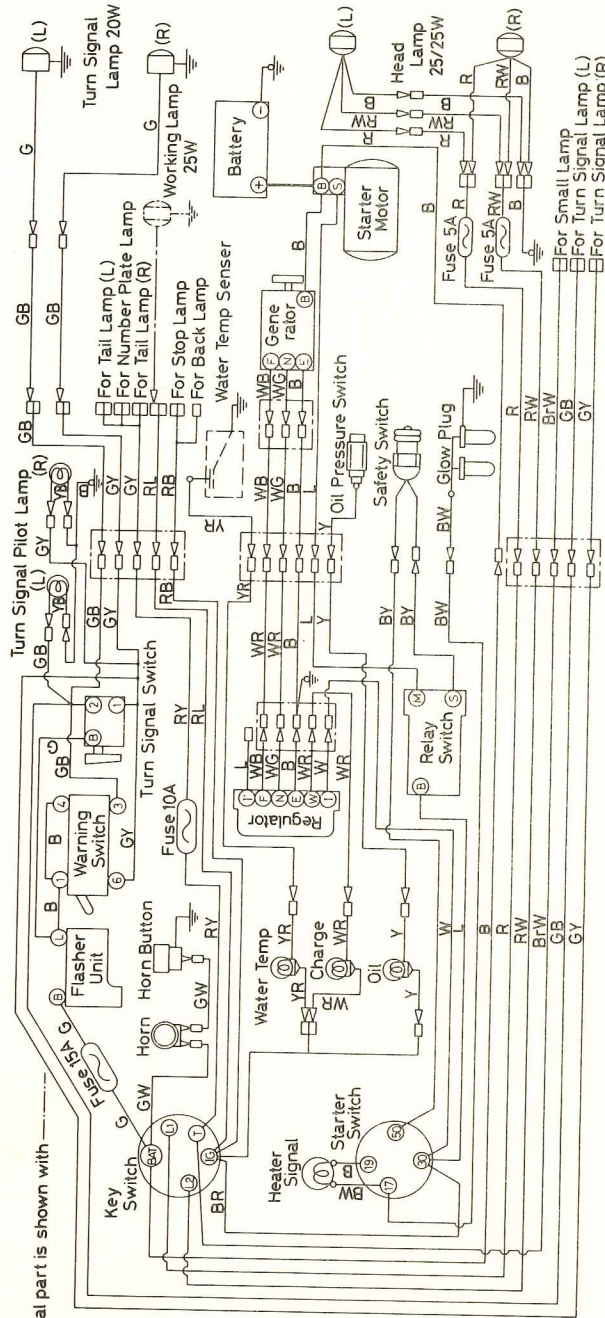
Ref No.	Parts Code	Name	Qty								Parts Code
			TS1910				TS2220				
			G	GLF	GB	GLFB	S	SB	LF	LFB	
59- 1	1871980	LAMP, HEAD ASSY	2	2	2	2	2	2	2	2	1421-621-2000-0
59- 2	1871981	*LENS	2	2	2	2	2	2	2	2	1421-621-2010-0
59- 3	1871982	*SOCKET	2	2	2	2	2	2	2	2	1421-621-2020-0
59- 4	1871983	*BULB/12V 25-25W	2	2	2	2	2	2	2	2	1421-621-2030-0
59- 5	1860225	BOLT/M10x20	4	4	4	4	4	4	4	4	V20126-100200
59- 6	1860404	WASHER, SP/M10	4	4	4	4	4	4	4	4	V40116-001000
59- 7	1871984	LAMP, BLINKER ASSY	2	2	2	2	2	2	2	2	1431-686-2000-0
59- 8	1871985	*LENS	2	2	2	2	2	2	2	2	1431-686-2010-0
59- 9	1871986	*GASKET, BASE	2	2	2	2	2	2	2	2	1421-621-0290-0
59-10	1862914	*BULB/12V 20W	2	2	2	2	2	2	2	2	1421-621-0310-0
59-11	1862913	*SCREW, TAPPING	4	4	4	4	4	4	4	4	1421-621-0300-0
59-12	1862915	*WASHER	4	4	4	4	4	4	4	4	1421-621-0320-0
59-13	1871987	*WASHER, TOOTHED/M5	4	4	4	4	4	4	4	4	V42116-000500
59-14	1860302	*NUT/M5	4	4	4	4	4	4	4	4	V30026-000500
59-15	1862880	HORN	1	1	1	1	1	1	1	1	1416-621-0440-0
59-16	1860201	BOLT/M6x12	2	2	2	2	2	2	2	2	V20026-060120
59-17	1860402	WASHER, SP/M6	2	2	2	2	2	2	2	2	V40116-000600
59-18	1871988	FLASHER UNIT	1	1	1	1	1	1	1	1	1426-621-0350-0
59-19	1871989	BASE, FLASHER UNIT	1	1	1	1	1	1	1	1	1426-621-0360-0
59-20	1860202	BOLT/M6x16	1	1	1	1	1	1	1	1	V20026-060160
59-21	1860402	WASHER, SP/M6	1	1	1	1	1	1	1	1	V40116-000600
59-22	1860303	NUT/M6	1	1	1	1	1	1	1	1	V30026-000600
59-23	1862907	SWITCH, RELAY	1	1	1	1	1	1	1	1	1416-621-0050-0
59-24	1860403	WASHER, SP/M8	2	2	2	2	2	2	2	2	V40116-000800
59-25	1860310	NUT/M8	2	2	2	2	2	2	2	2	V30226-000800
59-26	1860202	BOLT/M6x16	2	2	2	2	2	2	2	2	V20026-060160
59-27	1860413	WASHER/M6	2	2	2	2	2	2	2	2	V41316-000600
59-28	1860402	WASHER, SP/M6	2	2	2	2	2	2	2	2	V40116-000600
59-29	1860303	NUT/M6	2	2	2	2	2	2	2	2	V30026-000600
59-30	1862908	SWITCH, SAFETY ASSY	1	1	1	1	1	1	1	1	1416-600-0530-0
59-31	1862909	*BOOT	1	1	1	1	1	1	1	1	1416-621-0250-0
59-32	1862910	NUT/M22	1	1	1	1	1	1	1	1	1416-621-0260-0
59-33	1862916	BOLT/M6x25	2	2	2	2	2	2	2	2	1423-621-0190-0
59-34	1862918	WASHER	2	2	2	2	2	2	2	2	2701-101-0520-0
59-35	1862860	CUSHION/RUBBER	4	4	4	4	4	4	4	4	1423-621-0180-0
59-36	1871990	NUT, SLOTTED/M6	2	2	2	2	2	2	2	2	V32026-000600
59-37	1860914	PIN, SPLIT/1.6x15	2	2	2	2	2	2	2	2	V50015-160150
59-38	NLA	LAMP, WORK ASSY	1	1	1	1	1	1	1	1	1423-600-0520-0

**Fig.59 ELECTRICAL SYSTEM (3)**



Ref No.	Parts Code	Name	Q'ty								Parts Code	
			TS 1910				TS 2220					
			G	GLF	GR	GLFB	S	SB	LF	LFB		
59-39	NLA	•LENS	1	1	1	1	1	1	1	1	1	★ 1423-621-0050-0
59-40	NLA	•BULB/12V 25W	1	1	1	1	1	1	1	1	1	★ 1423-621-0200-0
59-41	NLA	•STAY	1	1	1	1	1	1	1	1	1	★ 1423-621-0060-0
59-42	NLA	•PACKING, LENS	1	1	1	1	1	1	1	1	1	★ 1423-621-0070-0
59-43	NLA	•SPRING	1	1	1	1	1	1	1	1	1	★ 1423-621-0080-0
59-44	NLA	•LAMP, WORK SET	1	1	1	1	1	1	1	1	1	★ 1423-621-0090-0
59-45	1860214	BOLT/M8×16	1	1	1	1	1	1	1	1	1	★ V20126-080160
59-46	1860414	WASHER/M8	2	2	2	2	2	2	2	2	2	★ V41316-000800
59-47	1860403	WASHER, SP/M8	1	1	1	1	1	1	1	1	1	★ V40116-000800
59-48	1860304	NUT/M8	1	1	1	1	1	1	1	1	1	★ V30026-000800
59-49	✱	LAMP, TAIL ASSY						2	2	2	2	1438-687-2000-0
59-50	1871999	•SHIELD						2	2	2	2	1438-687-2010-0
59-51	1871995	•BULB/12V 23-8W						2	2	2	2	1426-621-0120-0
59-52	1871996	•LENS						2	2	2	2	1426-621-0130-0
59-53	1871997	•GASKET, LENS						2	2	2	2	1426-621-0140-0
59-54	1871994	•SCREW/M3×30						4	4	4	4	V11316-300300
59-55	1860302	•NUT/M5						4	4	4	4	V30026-000500
59-56	1860401	•WASHER, SP/M5						4	4	4	4	V40116-000500
59-57	1860986	REFLECTOR ASSY.	2	2	2	2						1421-621-2300-0
59-58	1860261	NUT M5	2	2	2	2						V802-250-0050-0
59-59	1860262	WASHER ST M/5	2	2	2	2						V401-150-0050-0

# Fig.60 WIRING DIAGRAM



\* Optional part is shown with

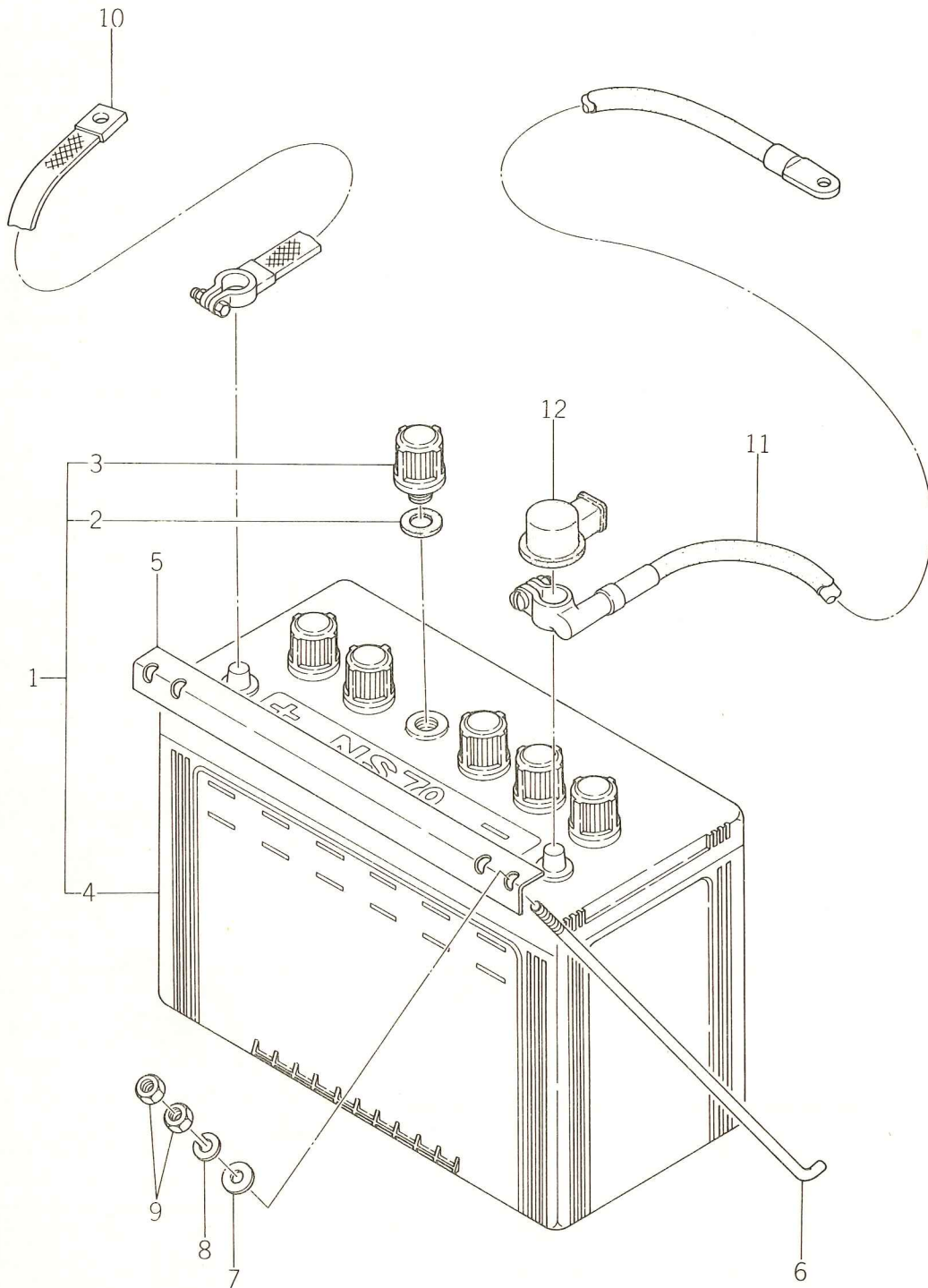
Explanation of color code	Example
BR	Red
B	Blue
Black	Green
White	Yellow
Y	Yellow
R	Red
G	Green
L	Blue
RL	Red
Blue	Blue
GY	Green
Yellow	Yellow



**SERVICE MEMO**

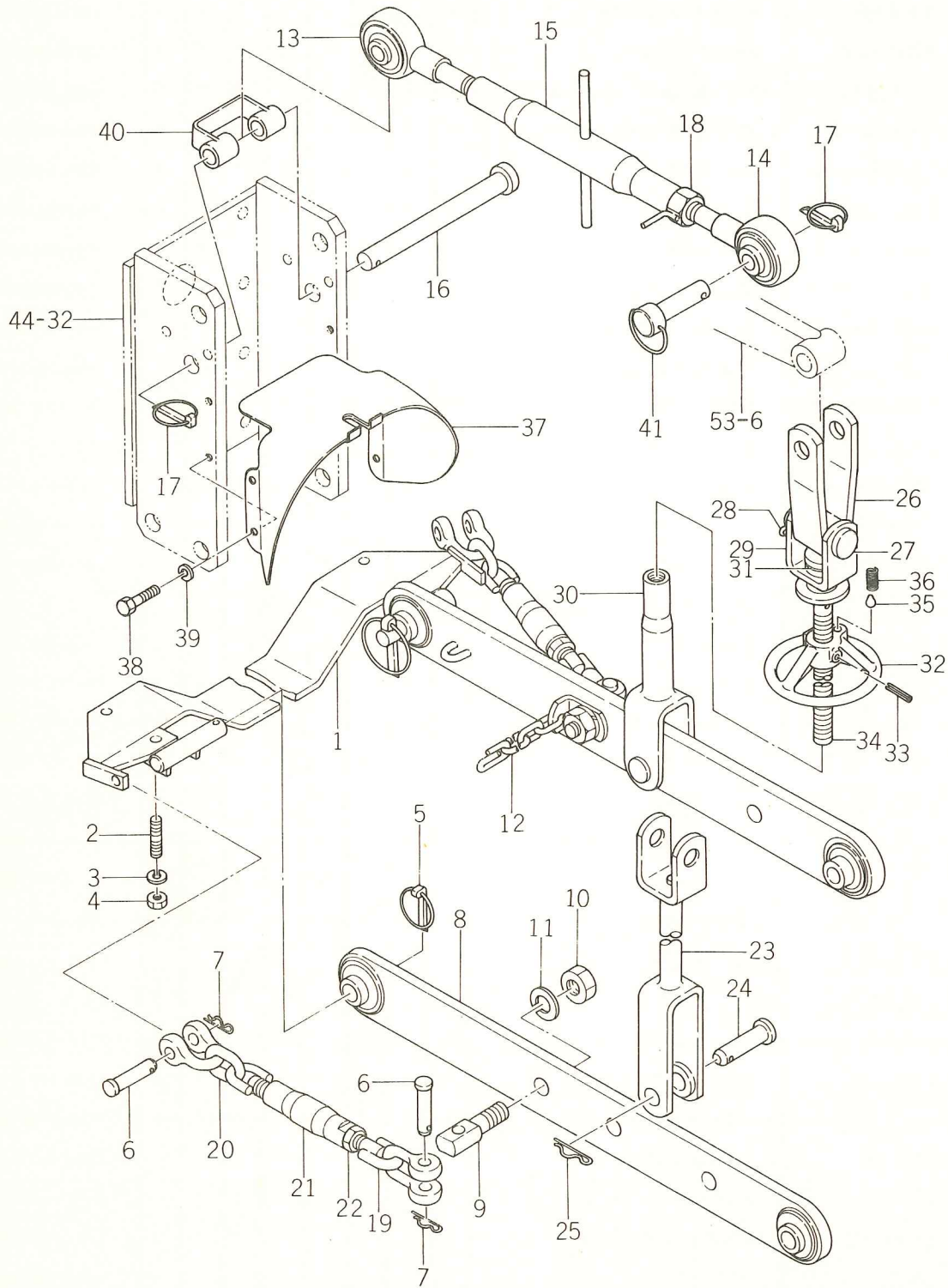
A series of horizontal dashed lines for writing, spanning the width of the page.

**Fig.61 BATTERY SYSTEM**



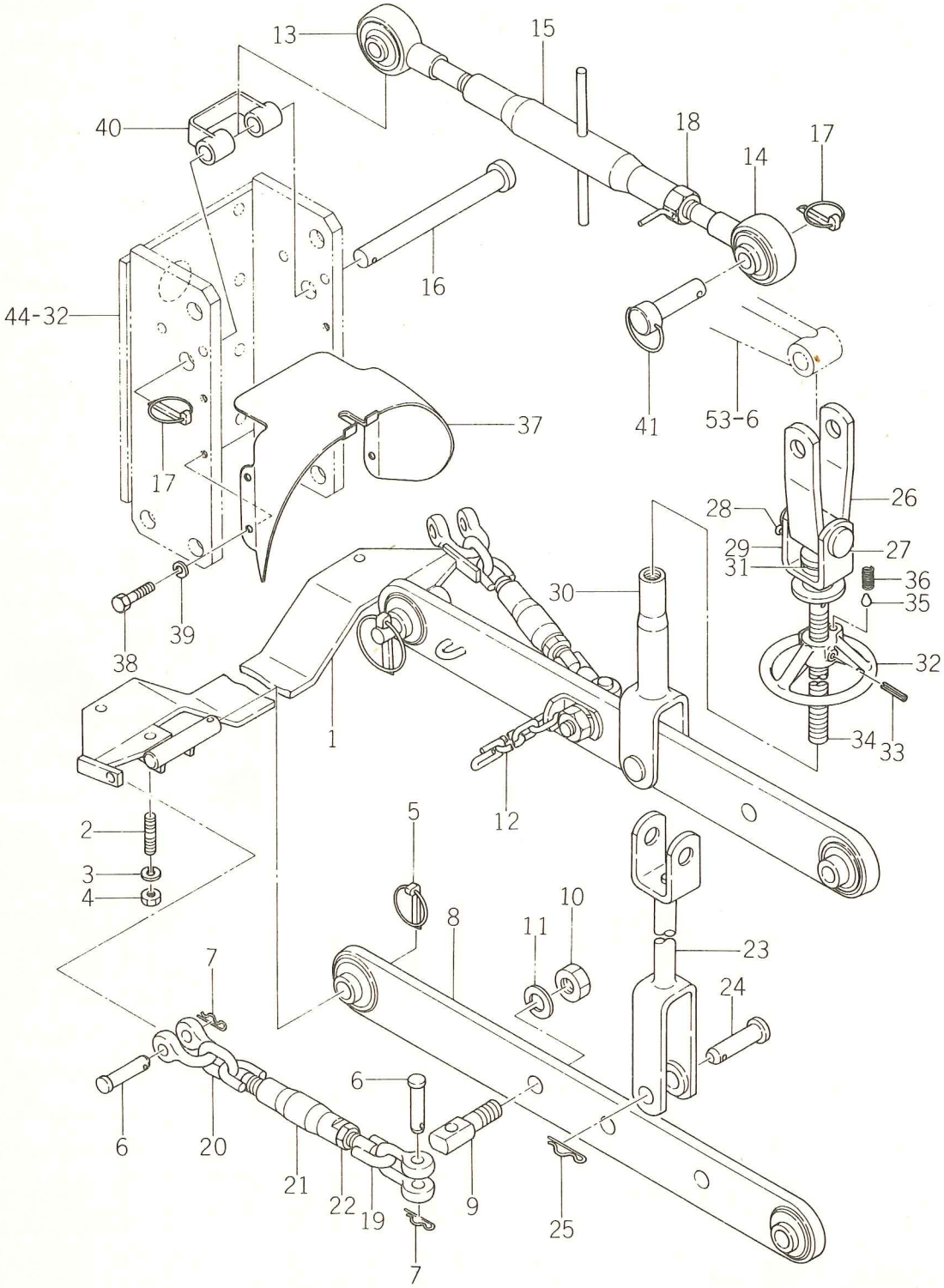
Ref No.	Parts Code	Name	Q'ty								Parts Code	
			TS1910				TS2220					
			G	GLF	GB	GLFB	S	SB	LF	LFB		
61- 1	1873703	BATTERY ASSY	1	1	1	1	1	1	1	1	1	1422-687-2000-0
61- 2	1871954	•PACKING	6	6	6	6	6	6	6	6	6	1422-687-2010-0
61- 3	1871959	•CAP, BATTERY	6	6	6	6	6	6	6	6	6	1422-687-2020-0
61- 4	1871955	•BATTERY SET	1	1	1	1	1	1	1	1	1	1422-687-2030-0
61- 5	1873707	PLATE, BATTERY SET	1	1	1	1	1	1	1	1	1	1422-687-0010-0
61- 6	1862929	BOLT, BATTERY SET	2	2	2	2	2	2	2	2	2	1416-112-0020-0
61- 7	1860413	WASHER/M6	2	2	2	2	2	2	2	2	2	V41316-000600
61- 8	1860402	WASHER, SP/M6	2	2	2	2	2	2	2	2	2	V40116-000600
61- 9	1860303	NUT/M6	4	4	4	4	4	4	4	4	4	V30026-000600
61-10	1873708	STRAP, GROUND/430	1	1	1	1	1	1	1	1	1	1423-621-0210-0
61-11	1862931	CABLE, BATTERY	1	1	1	1	1	1	1	1	1	1421-621-0330-0
61-12	1862932	COVER, TERMINAL/L50-14	1	1	1	1	1	1	1	1	1	1402-621-0140-0

**Fig.62 THREE POINT SYSTEM**



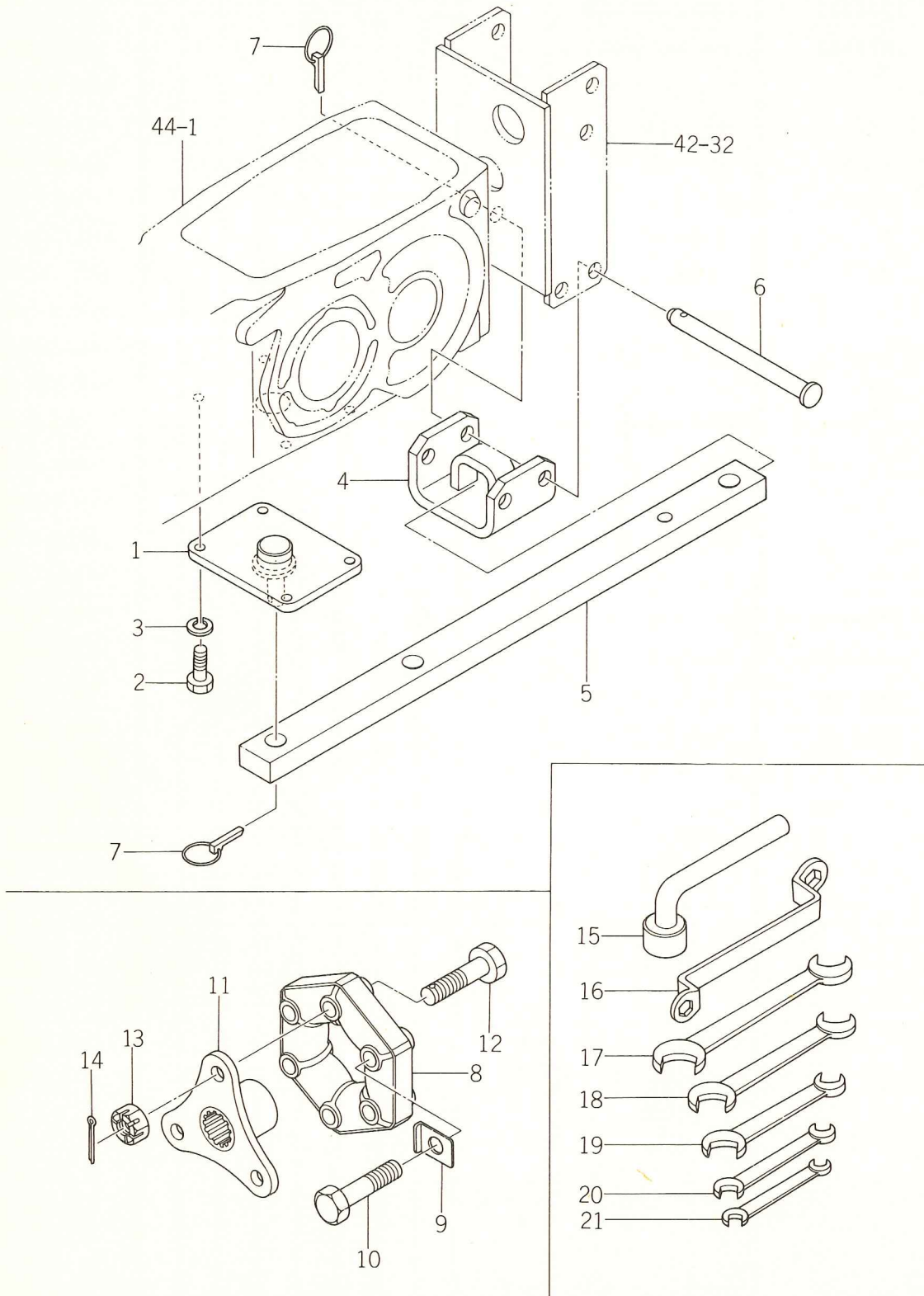
Ref No.	Parts Code	Name	Q'ty								Parts Code	
			TS 1910				TS 2220					
			G	GLF	GB	GLFB	S	SB	LF	LFB		
62- 1	1862934	SUPPORT, LW LINK	1	1	1	1	1	1	1	1	1	7963-611-2000-0
62- 2	1873709	BOLT/M12×28	4	4	4	4	4	4	4	4	4	V25146-120280
62- 3	1860405	WASHER, SP/M12	4	4	4	4	4	4	4	4	4	V40116-001200
62- 4	1860309	NUT/M12 7T	4	4	4	4	4	4	4	4	4	V30046-001200
62- 5	1860987	PIN, LINK	2	2	2	2	2	2	2	2	2	1421-502-0020-0
62- 6	1862935	PIN/12×48	4	4	4	4	4	4	4	4	4	7963-611-0030-0
62- 7	1877903	PIN, HAIR/12	4	4	4	4	4	4	4	4	4	7957-405-0030-0
62- 8	1862936	LINK, LW	2	2	2	2	2	2	2	2	2	7963-611-2100-0
62- 9	1862937	PIN, CHAIN	2	2	2	2	2	2	2	2	2	7963-611-0010-0
62-10	1873710	NUT/M16	2	2	2	2	2	2	2	2	2	V30026-001600
62-11	1860406	WASHER, SP/M16	2	2	2	2	2	2	2	2	2	V40116-001600
62-12	1862938	CHAIN, LW LINK	2	2	2	2	2	2	2	2	2	7963-611-2200-0
62-13	1862939	LINK, TOP LH THREAD	1	1	1	1	1	1	1	1	1	1421-511-3000-0
62-14	1862940	LINK, TOP RH THREAD	1	1	1	1	1	1	1	1	1	1421-511-4000-0
62-15	1873711	TURNBUCKLE	1	1	1	1	1	1	1	1	1	1423-511-2000-0
62-16	1862942	PIN/19×220	1	1	1	1	1	1	1	1	1	7963-603-0010-0
62-17	1860987	PIN, LINK	2	2	2	2	2	2	2	2	2	1421-502-0020-0
62-18	1871408	NUT, TOP LINK LOCK	1	1	1	1	1	1	1	1	1	1402-511-6000-0
62-19	1862944	CHAIN, CHECK A	2	2	2	2	2	2	2	2	2	7963-611-2300-0
62-20	1862945	CHAIN, CHECK B	2	2	2	2	2	2	2	2	2	7963-611-2400-0
62-21	1862946	TURNBUCKLE	2	2	2	2	2	2	2	2	2	7963-611-0020-0
62-22	1873712	NUT/M16	2	2	2	2	2	2	2	2	2	V30226-001600
62-23	1873713	ROD, LIFT LH	1	1	1	1	1	1	1	1	1	1422-555-2100-0
62-24	1862948	PIN/16×60	2	2	2	2	2	2	2	2	2	7963-613-0050-0
62-25	1871303	PIN, HAIR	2	2	2	2	2	2	2	2	2	1305-931-0030-0
62-26	1873714	FORK, LIFT BRACKET	2	2	2	2	2	2	2	2	2	1422-555-2000-0
62-27	1873715	PIN/19×56	2	2	2	2	2	2	2	2	2	1422-555-0020-0
62-28	1860508	PIN, SPLIT/3×30	2	2	2	2	2	2	2	2	2	V50015-300300
62-29	1862951	FORK, LIFT	1	1	1	1	1	1	1	1	1	7963-613-2200-0
62-30	1873716	ROD, LIFT RH	1	1	1	1	1	1	1	1	1	1422-555-2200-0
62-31	1862953	WASHER/17×32×2	1	1	1	1	1	1	1	1	1	7963-613-0020-0
62-32	1862954	HANDLE, ADJ	1	1	1	1	1	1	1	1	1	7963-613-0030-0
62-33	1873717	PIN, SPRING/W 6×36	1	1	1	1	1	1	1	1	1	V58014-060360
62-34	1873718	SCREW, ADJ	1	1	1	1	1	1	1	1	1	1422-555-0010-0
62-35	1862956	TINE	1	1	1	1	1	1	1	1	1	1302-726-0050-0
62-36	1862957	SPRING, LOCK	1	1	1	1	1	1	1	1	1	1302-726-0060-0
62-37	1862958	COVER, SEALED	1	1	1	1	1	1	1	1	1	7963-617-2100-0
62-38	1860214	BOLT/M8×16	4	4	4	4	4	4	4	4	4	V20126-080160

**Fig.62 THREE POINT SYSTEM**



Ref No.	Parts Code	Name	Q'ty								Parts Code
			TS1910				TS2220				
			G	GLF	GB	GLFB	S	SB	LF	LFB	
62-39	1860403	WASHER, SP/M8	4	4	4	4	4	4	4	4	V40116-000800
62-40	1862961	BUSH, TOP LINK	1	1	1	1	1	1	1	1	1403-511-5000-0
62-41	1871406	PIN, TOP LINK	1	1	1	1	1	1	1	1	1402-500-9040-0

**Fig.63 ACCESSORIES AND TOOLS**





Ref No.	Parts Code	Name	Q'ty								Parts Code	
			TS1910				TS2220					
			G	GLF	GB	GLFB	S	SB	LF	LFB		
63- 1	1873722	PIN, POINT	1	1	1	1	1	1	1	1	1	1422-560-2000-0
63- 2	1873719	BOLT/M12×32 9T	4	4	4	4	4	4	4	4	4	V20146-120320
63- 3	1860405	WASHER, SP/M12	4	4	4	4	4	4	4	4	4	V40116-001200
63- 4	1873723	BRACKET, DRAWBAR	1	1	1	1	1	1	1	1	1	1422-560-2100-0
63- 5	1873724	DRAWBAR	1	1	1	1	1	1	1	1	1	1422-560-0011-0
63- 6	1862942	PIN/19×220	2	2	2	2	2	2	2	2	2	7963-603-0010-0
63- 7	1860987	PIN, LINK	3	3	3	3	3	3	3	3	3	1421-502-0020-0
63- 8	1873725	COUPLING, CG	1	1	1	1	1	1	1	1	1	1422-155-0021-0
63- 9	1873726	WASHER, LOCK	3	3	3	3	3	3	3	3	3	1422-155-0030-0
63-10	1873720	BOLT/M12×55	3	3	3	3	3	3	3	3	3	V20326-120550
63-11	1873727	COUPLING, SPLINE	1	1	1	1	1	1	1	1	1	1422-155-2300-0
63-12	1873728	BOLT/M12×50	3	3	3	3	3	3	3	3	3	1422-155-0041-0
63-13	1860318	NUT, SLOTTED/M12	3	3	3	3	3	3	3	3	3	V32126-001200
63-14	1860508	PIN, SPLIT/3×30	3	3	3	3	3	3	3	3	3	V50015-300300
63-15	1862962	SPANNER, BOX/22	1	1	1	1	1	1	1	1	1	1421-906-0010-0
63-16	1871403	WRENCH/17×19	1	1	1	1	1	1	1	1	1	1401-906-0050-0
63-17	1873721	SPANNER/24×27	1	1	1	1	1	1	1	1	1	V92055-240270
63-18	1860994	SPANNER/19×22	1	1	1	1	1	1	1	1	1	V923-151-9022-0
63-19	1860993	SPANNER/13×17	1	1	1	1	1	1	1	1	1	V923-151-3017-0
63-20	1860992	SPANNER/12×14	1	1	1	1	1	1	1	1	1	V920-101-2014-0
63-21	1860991	SPANNER/8×10	1	1	1	1	1	1	1	1	1	V923-150-8010-0

5



NUMERICAL INDEX

ENGINE

Parts Code	Ref No.	Parts Code	Ref No.	Parts Code	Ref No.
5641-563-9008-0	16- 8	5681-211-6137-0	6- 3-5	5681-561-2006-0	16- 9
	16-158	5681-212-1010-0	6- 4	5681-561-2007-0	16- 16
5648-121-5005-0	20- 33	5681-212-4010-0	6- 4-3	5681-561-9029-0	16- 67
5680-900-0018-1	6- 33	5681-212-6010-0	6- 4-2	5681-561-9038-0	16- 55-7
5680-900-0069-0	7- 8	5681-218-4010-0	6- 4-1	5681-561-9039-0	16- 55-8
5680-900-0084-0	7- 26	5681-221-1009-0	6- 6	5681-561-9061-0	16-182
5680-900-0088-0	10- 33-2	5681-223-0027-0	6- 8	5681-561-9062-0	16- 88
5680-900-0089-0	10- 33	5681-223-0028-0	6- 8-1	5681-561-9063-0	16- 93
5680-900-0132-0	6- 64	5681-223-5006-0	6- 11	5681-561-9067-0	16-147
5680-903-0015-0	3- 17	5681-227-1005-0	6- 13	5681-561-9068-0	16-165
	13- 52-2	5681-227-4005-0	6- 13-1	5681-561-9069-0	16-166
5680-930-0045-0	16-181	5681-227-6005-0	6- 13-2	5681-561-9077-0	16- 7
5680-958-7001-0	6- 7	5681-231-0098-0	6- 14	5681-561-9078-0	16- 10
5680-962-3019-0	14- 40	5681-233-6002-0	6- 34		16- 18
5680-962-5046-0	16- 57	5681-237-1152-0	6- 60		16-109-1
5680-963-7013-0	10- 76	5681-251-1023-0	7- 1	5681-561-9079-0	16- 11
5680-963-7015-0	11- 76	5681-251-9002-1	7- 9	5681-561-9082-0	16- 17
5680-980-1001-0	6- 19	5681-252-4038-0	14- 42	5681-561-9083-0	16- 18-1
5681-111-0097-0	1- 1	5681-253-5005-0	7- 24	5681-561-9084-0	16- 70
5681-111-0098-0	1- 1-1	5681-256-5004-0	7- 38	5681-561-9085-0	16- 71
5681-117-0083-0	1- 29	5681-256-9004-0	1- 11	5681-561-9086-0	16- 73
5681-117-3005-0	1- 49	5681-361-0076-0	10- 1	5681-561-9087-0	16- 92
5681-121-5012-0	4- 6-1	5681-363-1005-0	10- 6	5681-561-9088-0	16- 94
5681-121-5029-0	4- 6	5681-367-4040-0	10- 41-1	5681-561-9089-0	16- 69
5681-131-1011-0	2- 29-1	5681-371-0179-0	10- 90-1	5681-562-1014-0	16- 50
5681-131-2011-0	2- 29	5681-371-6028-0	10- 90	5681-562-2007-0	16- 30
5681-131-9056-0	13- 51	5681-372-1028-0	2- 93	5681-562-9006-0	16- 31
5681-134-1061-0	2- 81	5681-377-0022-0	10- 72	5681-562-9007-0	16- 32
5681-136-0355-0	4- 1	5681-414-1035-0	11- 20	5681-562-9008-0	16- 33
5681-151-0011-1	6- 1	5681-431-9100-0	11- 92	5681-562-9009-0	16- 34
5681-154-0011-0	6- 1-1	5681-433-4117-0	11-104-1	5681-562-9010-0	16- 35
5681-156-0011-0	6- 1-2	5681-531-1006-0	12- 2	5681-562-9011-0	16- 52
5681-176-0052-1	4- 36	5681-533-0003-0	12- 3	5681-562-9012-0	16- 51
5681-177-7004-0	13- 41-1	5681-541-1546-0	12- 31	5681-562-9013-0	16- 54
5681-211-1119-0	6- 3	5681-560-0658-1	14- 5-1	5681-562-9014-0	16- 53
5681-211-1137-0	6- 3-3		16- 0-1	5681-562-9015-0	16- 55
5681-211-4056-1	6- 3-1	5681-560-0666-1	14- 5	5681-562-9016-0	16- 55-1
5681-211-4137-0	6- 3-4	5681-561-1043-0	16- 5	5681-562-9017-0	16- 55-2
5681-211-6119-0	6- 3-2	5681-561-2005-0	16- 59	5681-562-9018-0	16- 55-3

## ENGINE

Parts Code	Ref No.	Parts Code	Ref No.	Parts Code	Ref No.
5681-562-9019-0	16- 55-4	5681-572-9137-0	16-130-3	5688-112-9021-0	18- 77
5681-562-9020-0	16- 55-5	5681-572-9138-0	16-130-4	5688-112-9022-0	18-107
5681-562-9021-0	16- 55-6	5681-572-9139-0	16-130-5	5688-112-9023-0	18-111
5681-562-9022-0	16- 53-1	5681-572-9140-0	16-130-6	5688-112-9024-0	18- 24
5681-563-2004-0	16- 21	5681-572-9141-0	16-130-7	5688-112-9056-0	17- 14
5681-563-4004-0	16- 24	5681-572-9142-0	16-131	5688-112-9057-0	17- 7
5681-563-4005-0	16- 38	5681-572-9143-0	16-135	5688-112-9058-0	17- 85
5681-563-5001-0	16- 42	5681-572-9144-0	16-138	5688-120-0272-0	15- 2
5681-563-5002-0	16- 43	5681-572-9146-0	16-140		19- 0-1
5681-563-7006-0	16- 47	5681-572-9147-0	16-140-1	5688-120-0273-0	15- 2-1
5681-563-9001-0	16- 41	5681-572-9148-0	16-140-2		20- 0-1
5681-563-9003-0	16- 23	5681-572-9149-0	16-140-3	5688-121-1024-0	19- 20
5681-563-9004-0	16- 39	5681-572-9150-0	16-144	5688-121-4033-0	19- 25
5681-563-9005-0	16- 40	5681-572-9151-0	16-150	5688-121-5008-0	19- 30
5681-563-9007-0	16- 44	5681-572-9152-0	16-152	5688-121-8009-0	19- 39
5681-564-1007-0	16- 22	5681-572-9153-0	16-153	5688-121-9005-0	20- 27
5681-564-4011-0	16- 25	5681-572-9154-0	16-167	5688-121-9006-0	20- 41
5681-572-1028-0	16-145	5681-572-9155-0	16-168	5688-122-1030-0	19- 5
5681-572-2006-0	16-132	5681-572-9157-0	16-174	5688-122-2032-0	19- 75
5681-572-3084-0	16-112	5681-572-9158-0	16-176	5688-122-9042-0	19- 90-1
5681-572-3085-0	16-139	5681-572-9161-0	16-155		
5681-572-5051-0	16-100	5681-572-9162-0	16-171-1	5688-241-0012-1	15- 7
5681-572-5052-0	16-108	5681-572-9163-0	16-120	5688-245-0014-0	15- 30
5681-572-5053-0	16-113	5681-572-9166-0	16-120-1	5688-588-5356-0	8-103
5681-572-5054-0	16-114	5681-975-1028-0	16-180	5688-588-5358-0	4- 69-1
5681-572-9058-0	16-146	5688-110-0048-0	15- 1-1	5688-588-5363-0	4- 69
5681-572-9098-0	16- 75	5688-111-2008-0	17- 0-1	5688-588-5364-0	14- 50
5681-572-9109-0	16-171	5688-111-3013-0	17- 22	5688-588-5366-0	1- 50
5681-572-9125-0	16-101	5688-111-4009-0	17- 65	5688-588-5368-0	1- 50-1
5681-572-9126-0	16-102	5688-111-4010-0	17- 50	5690-009-0667-0	3- 63
5681-572-9127-0	16-103	5688-111-5010-0	17- 52	5690-009-7011-0	8- 32
5681-572-9128-0	16-104	5688-111-5012-0	17- 30	5690-104-5830-0	11- 52-1
5681-572-9129-0	16-115	5688-111-6008-0	20- 25	5690-104-5850-0	5- 14-1
5681-572-9130-0	16-124	5688-111-6009-0	17- 25	5690-105-0635-0	10- 59-1
5681-572-9131-0	16-125	5688-111-7001-0	17- 37	5690-105-0850-0	7- 64
5681-572-9132-0	16-126	5688-111-8007-0	17- 35	5690-105-5635-0	10- 59
5681-572-9134-0	16-130	5688-112-1011-0	17- 33	5690-105-5855-0	3- 17-2
5681-572-9135-0	16-130-1	5688-112-3006-0	17- 6		13- 52
5681-572-9136-0	16-130-2	5688-112-7011-0	17- 55	5690-105-5870-0	13- 52-1
			17- 75	5690-105-5875-0	3- 24

Parts Code	Ref No.	Parts Code	Ref No.	Parts Code	Ref No.
5690-105-6055-0	10- 33-1	5690-911-0408-0	3- 23	5690-920-1345-0	2-10-1
5690-106-5880-0	4- 42-1		11- 77	5690-920-2008-0	1- 5
5690-165-6240-0	13- 34		13- 53	5690-957-1408-0	12-33
5690-190-0612-0	3- 4		16- 89	5690-960-0082-0	4-42-3
5690-190-0614-0	16- 60	5690-911-0410-0	2- 87	5690-960-2070-0	4-42-2
5690-190-0816-0	7- 12	5690-911-0508-0	7- 67	5690-966-2012-0	4- 3
5690-190-0822-0	2- 32		13- 40	5690-966-4034-0	1-10
	10- 92	5690-911-1108-0	7- 54		2- 8
5690-190-0835-0	8-101-2	5690-912-0412-0	13- 31	5690-971-3057-0	12-27
5690-190-0845-0	8-101	5690-915-0506-0	4- 30	5690-980-0684-0	2-84
5690-191-0820-0	13- 37		10- 61	5690-980-2514-0	1-22
5690-191-0828-0	10- 77		16- 95	5690-980-2539-0	12-55
5690-191-1020-0	2- 84-2	5690-915-0508-0	3- 19	5690-980-2591-0	2- 2
5690-193-1225-0	2- 84-1		3- 25	5690-981-4014-0	10- 7
5690-195-0505-0	12- 56		4- 43	5690-983-0212-0	1-34
5690-196-0830-0	11- 52-2		5- 15	5690-986-0522-0	1- 4
5690-196-0835-0	8-101-3		5- 27	5690-986-4015-0	2-11
	11- 52		9- 7	5690-987-6084-0	5- 8
5690-196-0845-0	8-101-1		10- 8	5690-987-8084-0	5- 8-1
5690-197-0825-0	5- 41		11- 78	5690-990-2299-0	2-36
5690-197-0830-0	13- 36		13- 43	5690-990-6105-1	9- 3
5690-197-0840-0	3- 17-1		13- 55	5690-991-5642-0	10-94-1
5690-204-0812-0	5- 26		16-134	5690-991-5644-0	10-94
5690-204-0814-0	9- 6	5690-915-0510-0	2- 88	5690-992-0525-0	8-29
5690-204-0818-0	13- 42		10- 34	5690-992-0609-0	4-37
5690-204-0825-0	5- 14	5690-915-0512-0	13- 14	5690-992-0651-0	4- 4
5690-205-0614-0	4- 29		13- 30	5690-992-0841-0	8-24
5690-206-0822-0	4- 42	5690-916-0608-0	16- 87	5690-992-0843-0	1- 6
5690-304-0816-0	10- 18	5690-916-4008-0	7- 66	5690-992-0900-0	9- 4
5690-410-0848-0	11- 3	5690-916-4508-0	3- 19-1	5690-992-4448-0	3- 9
5690-411-0820-0	3- 16		3- 64	5690-992-4449-0	2-78
5690-411-0822-0	2- 33		5- 16	5690-994-0582-0	8-33
5690-411-0830-0	11- 21		7- 68	5690-994-0607-0	7-59
5690-800-0718-0	7- 7		11- 81	5690-994-2600-0	11-79
5690-803-0716-0	6- 36	5690-916-4708-0	13- 38	5691-112-9006-0	1- 3
5690-815-1030-0	2- 31	5690-918-0019-0	7- 61		2- 6-3
5690-815-1222-0	4- 5	5690-920-1056-0	2- 12	5691-112-9081-0	1- 3-1
	6- 17	5690-920-1318-0	2- 9	5691-112-9082-0	1- 3-2
5690-816-1032-0	2- 37	5690-920-1328-0	2- 10	5691-112-9083-0	1- 3-3

## ENGINE

Parts Code	Ref No.	Parts Code	Ref No.	Parts Code	Ref No.
5691-114-1641-0	1-21	5691-252-5801-0	3- 61	5691-361-4043-0	10- 31
5691-115-0194-0	1-14	5691-252-8801-0	7- 23	5691-362-0016-0	10- 11
5691-115-0604-0	1-14-1	5691-253-1024-0	7- 21	5691-362-1076-0	10- 12
5691-117-5011-0	1-35	5691-253-3801-0	3- 62	5691-363-9001-0	10- 9
5691-117-9030-0	1-32	5691-255-1802-0	7- 31	5691-364-1609-0	10- 50
5691-117-9105-0	1-31	5691-255-2801-0	7- 32	5691-364-2080-0	10- 13
5691-121-7619-0	2- 1	5691-256-1037-0	7- 33	5691-366-0654-0	10- 54
5691-121-7803-0	2- 1-1	5691-256-3095-0	7- 36	5691-367-1808-0	10- 64-1
5691-121-9005-0	2- 6-1	5691-257-1801-0	7- 43	5691-367-1809-0	10- 64
5691-121-9006-0	2- 6-2	5691-257-5168-0	7- 44	5691-367-5212-0	10- 41
5691-121-9195-0	2- 6	5691-257-5208-0	7- 44-1	5691-371-3064-0	10- 71
5691-125-8108-0	2-99	5691-261-1347-0	7- 51	5691-372-1132-0	10- 93
5691-131-1806-0	2-28	5691-261-1349-0	7- 51-1	5691-374-3005-0	10- 91
5691-131-1807-1	3- 1	5691-261-5018-0	7- 52	5691-411-2816-0	11- 1
5691-131-2046-0	3- 8		7- 52-1	5691-414-6088-0	11- 46
5691-131-2803-0	3-14	5691-261-6023-0	7- 53	5691-432-0652-1	11- 66
5691-132-1137-0	3- 2	5691-262-1126-0	7- 56	5691-433-4613-0	11-104
5691-132-2066-0	3- 3	5691-262-6005-0	7- 57	5691-531-5026-0	12- 7
5691-132-2083-0	3-22	5691-262-8093-0	7- 58	5691-531-5027-0	12- 6
5691-132-7045-0	3-12	5691-310-0615-0	5- 1	5691-531-5028-0	12- 8
5691-136-7801-0	4-17	5691-311-3086-0	5- 13	5691-531-5074-0	12- 9
5691-158-1057-0	6- 2	5691-312-0601-0	5- 9	5691-541-2817-0	12- 15-1
5691-168-1010-0	7-11	5691-312-3103-0	5- 6	5691-541-2818-0	12- 16
5691-171-1066-0	1- 8	5691-312-5047-0	5- 12	5691-541-2878-0	12- 15
5691-171-5054-0	1- 7	5691-312-8079-0	5- 7	5691-541-2879-0	12- 16-1
5691-172-1113-0	1- 9	5691-312-9017-0	5- 11	5691-541-9072-0	12- 19
5691-172-1159-0	1- 9-1	5691-314-1604-1	5- 23	5691-971-1803-0	13- 11
5691-175-0602-0	1-30	5691-314-3603-0	5- 22	5691-973-2074-0	15- 23
		5691-316-0068-0	8- 28	5691-975-1803-0	14- 38
5691-177-7152-1	13-41	5691-316-0081-0	8- 6	5698-131-5062-0	16- 76
		5691-320-1812-1	8- 1	5698-131-5214-0	16-159
5691-225-1062-0	6- 9	5691-321-9077-0	8-100	5698-210-0608-0	15- 1
5691-232-0608-1	6-14-1	5691-324-0804-1	8- 2		18- 0-1
5691-233-0642-0	6-25	5691-326-3011-0	8- 34	5698-211-1298-0	18- 23
5691-233-3036-1	6-27	5691-331-2325-0	9- 1	5698-211-1384-0	18- 65
5691-236-2039-0	6-38	5691-331-2335-0	9- 2	5698-211-1654-0	18- 37
5691-252-1042-0	6-37	5691-331-2338-0	9- 2-1	5698-211-1731-0	18- 35
5691-252-2801-0	7- 6	5691-361-2053-0	10- 16	5698-211-3402-0	18- 30
5691-252-3080-0	7-22	5691-361-3607-0	10- 17	5698-211-3901-0	18- 31

Parts Code	Ref No.	Parts Code	Ref No.	Parts Code	Ref No.
5698-211-5362-0	18-105				
5698-211-5433-0	18- 32				
	18- 66				
5698-211-6120-0	18- 85				
5698-212-3104-0	18- 6				
5698-212-3203-0	18- 55				
5698-212-3705-0	18- 76				
5698-212-5046-0	18- 18				
5698-212-5190-0	18- 8				
5698-212-6107-0	18- 50				
5698-212-6108-0	18- 52				
5698-215-0503-0	18- 80				
5698-215-5307-0	18-104				
5698-221-5926-0	20- 31				
5698-222-3109-0	20- 5				
5698-223-1109-0	20- 20				
5698-223-1307-0	20- 51				
5698-223-1308-0	19- 50				
5698-223-1619-0	19- 27				
5698-223-3208-0	20- 75				
5698-223-5060-0	20- 90				
5698-223-5072-0	19- 90				
5698-223-5074-0	19- 80				
5698-225-0113-0	15- 4-1				
5698-225-3107-0	15- 4				
5698-251-1978-0	15- 12				
5698-253-0110-0	15- 14				
5698-841-0406-0	16-109				
5698-851-1169-0	10-107				
5698-911-2911-0	2- 54				
5698-913-6423-0	10- 51				
5699-205-1225-0	13- 13				
5699-344-0612-0	11- 91				

## CHASSIS

Parts Code	Ref No.	Parts Code	Ref No.	Parts Code	Ref No.
1302-225-0030-0	40-30	1404-120-0090-0	36- 6	1414-117-0050-0	43-18
	46-26		37- 6	1414-120-0120-0	41-15
1302-726-0050-0	62-35	1404-201-0180-0	52-90	1414-201-0020-0	44-26
1302-726-0060-0	62-36	1404-307-0020-0	48-14	1414-201-0090-0	49-17
1305-241-0010-0	21-14	1404-312-0050-0	50- 9	1414-201-0100-0	49-18
	55-35	1404-312-0060-0	52-16	1414-201-0120-0	49-19
1305-931-0030-0	62-25	1404-317-0050-2	56- 5	1414-201-0140-0	48-12
1317-621-0020-0	57-17	1404-402-0010-0	28-36	1414-207-0050-0	47- 9
1325-930-1050-0	28-28		34-18	1414-301-0070-0	49-27
	34-15		34-23	1414-301-0080-0	49-28
1326-706-0020-0	36- 8		31-30	1414-306-0010-1	48- 1
	37- 8	1404-402-0020-0	34-19	1414-306-0020-0	48- 2
	51-14		34-24	1414-306-0030-1	48- 6
1326-708-0050-0	28-17	1404-402-0050-0	28-39	1414-306-0040-0	48- 7
1340-253-0020-0	44-24		31-33	1414-310-0030-0	51-13
1376-402-0030-0	57-11		34-17	1414-312-0020-0	52-23
1401-122-0050-0	39- 8		34-22	1414-331-0050-0	49- 4
	52-14	1404-503-0060-0	54-27	1414-331-0120-0	46-41
1401-906-0050-0	63-16	1404-503-0080-0	54- 2	1414-401-0031-0	28- 7
1402-500-9010-0	53-11	1404-503-0090-0	54- 3	1414-403-0030-0	28-22
	62- 5	1404-502-0130-0	53- 9	1414-403-0040-0	28-13
	62-17	1404-621-0300-0	57-31	1414-406-0050-0	34- 2
	63- 7	1407-111-0010-0	42- 2	1414-501-0030-0	52-84
1402-500-9040-0	62-41	1407-117-0070-0	43-19	1414-501-0080-0	52-89
1402-501-0170-0	47-14	1407-207-0050-0	47-12	1414-501-0090-0	52-87
1402-511-6000-2	62-18	1407-303-0040-0	46-45	1414-501-0100-0	52-88
1402-621-0130-0	58-24	1407-403-0020-0	28-25	1414-502-0010-0	46-42
1402-621-0140-0	61-12	1407-406-0020-0	34- 6	1414-502-0080-0	53- 8
1403-207-0010-0	47-17	1407-406-0040-0	34- 7	1414-503-0050-0	53-12
1403-209-0060-0	53- 1	1407-600-0520-0	58-22	1414-503-0060-0	53-13
1403-312-0030-0	46-49	1407-621-0120-0	58-23	1415-101-0100-0	21-11
	50-19	1411-401-0010-0	28- 5	1415-101-0180-0	23- 2
1403-511-5000-1	62-40	1411-411-0020-2	32-12	1415-101-0400-0	23-13
1403-621-0130-0	58-25	1411-411-0030-0	32-13	1415-102-0011-0	42-24
1403-621-0310-0	58- 8	1411-621-0050-0	57- 4	1415-102-0040-0	42- 8
	58-16	1412-307-0040-0	48- 8	1415-102-0050-0	42-13
	58-20	1412-401-0040-0	28- 6	1415-102-0060-0	42-14
1404-101-0010-0	39-15	1412-411-0010-1	32-11	1415-102-0070-0	42-15
1404-117-0080-0	43-20	1414-117-0040-0	43-17	1415-102-0080-0	42-17



Parts Code	Ref No.	Parts Code	Ref No.	Parts Code	Ref No.
1415-102-0090-0	42-10	1416-120-2000-0	41- 0-2	1419-203-0020-0	45-16
1415-102-0100-0	42-12	1416-120-2010-0	41- 2	1419-310-0020-0	51- 2
1415-102-0110-0	42- 9	1416-120-2020-0	41- 3	1419-310-0030-0	51- 5
1415-102-0120-0	42-18	1416-120-2030-0	41- 9	1419-331-0022-0	49-13
1415-102-0130-0	42-19	1416-120-2040-0	41- 5	1419-331-0041-0	49-14
1415-102-0140-0	42-20	1416-120-2050-0	41- 4	1419-331-0050-0	46-44
1415-102-0150-0	42-21	1416-120-2060-0	41-10	1419-403-0010-0	28-14
1415-111-0010-0	42-30	1416-120-2070-0	41- 8	1419-502-0020-1	53- 6
1415-111-0020-2	42-31	1416-120-2080-0	41-12	1419-621-0150-0	58- 6
1415-111-2000-2	42-28	1416-120-2090-0	41- 7		58-10
1415-116-0071-0	43- 4	1416-120-2100-0	41-11		58-14
1415-122-0020-1	39-17	1416-120-2110-0	41- 6	1419-621-0170-0	58- 7
1415-208-0041-0	47-13	1416-207-0030-0	47- 8		58-11
1415-209-1000-0	47-19	1416-207-0040-0	47-10		58-15
1415-210-0020-0	38-28	1416-209-0050-0	47-27		58-19
	47-24		47-36	1421-031-2000-0	50- 1
	47-30		47-43	1421-100-0520-0	42- 0-1
	47-33	1416-317-1000-2	56- 4	1421-101-0010-0	21-12
	47-40	1416-501-0110-0	52-20	1421-101-0030-0	23- 6
1415-216-0060-0	46-21	1416-505-0030-2	52-35	1421-101-0050-0	23-12
1415-312-3000-2	50- 5	1416-506-0040-0	54-15	1421-101-0060-0	22- 2
1415-312-5000-0	50-15	1416-600-0530-0	59-30	1421-101-0070-0	22- 8
1415-312-6000-0	50- 8	1416-621-0020-0	58-21	1421-101-0080-0	21-15
1415-501-0030-0	52-10	1416-621-0050-0	59-23	1421-101-0090-0	21- 8
1415-621-0100-0	58-12	1416-621-0250-0	59-31	1421-101-0120-0	21- 9
1415-621-0160-0	57-27	1416-621-0260-0	59-32	1421-101-0130-0	22-12
1415-621-0170-0	57-28	1416-621-0440-0	59-15	1421-101-2000-0	23-14
1416-100-0520-0	41- 0-1	1417-102-0050-0	21-16	1421-101-3000-0	23- 5
1416-102-0021-0	42-25	1417-201-0030-0	36-20	1421-101-3120-0	21- 3
1416-112-0020-0	61- 6	1419-101-0030-0	23- 1	1421-101-3130-0	21- 2
1416-116-0040-0	43-10	1419-101-0071-0	22- 3	1421-111-1000-0	35- 1
1416-120-0020-0	36-11	1419-101-0080-0	22- 4	1421-111-2000-0	42-29
	37-12	1419-101-0090-0	22- 6	1421-111-2100-0	42- 6
1416-120-0030-0	36-12	1419-101-0100-0	22- 5	1421-116-0010-0	43- 5
	37-13	1419-101-0120-0	22- 9	1421-116-0020-0	43- 6
1416-120-0040-0	36-16	1419-101-0130-0	22- 7	1421-116-0030-1	43- 9
	37-22	1419-201-0040-0	44-11	1421-116-0041-0	43-14
1416-120-0060-0	43- 2	1419-201-0100-0	44-22	1421-116-2000-0	43- 9-1
1416-120-0070-0	41- 1	1419-201-0110-0	44-23	1421-117-0010-0	43-24

## CHASSIS

Parts Code	Ref No.	Parts Code	Ref No.	Parts Code	Ref No.
1421-117-1000-0	43-16	1421-202-0020-0	45-10	1421-312-0020-0	50- 2
1421-120-0012-0	36- 1	1421-202-0050-0	45- 7	1421-312-3000-0	50-12
1421-120-0020-0	36-18	1421-203-0040-0	45-21	1421-400-0510-0	34- 1
1421-120-0030-0	36-19	1421-203-0051-0	45-20	1421-400-0520-0	34- 5
1421-120-0040-0	36-15	1421-203-0060-0	45-22	1421-400-0540-0	28-34
	37-21	1421-204-0010-0	45-25		31-28
1421-120-0050-0	36-17	1421-204-0020-0	45-26	1421-400-0550-0	28-35
1421-122-2000-0	39- 1	1421-207-0010-0	47- 1		31-29
1421-134-0011-0	37- 1	1421-207-0020-0	47- 2	1421-401-0010-0	28- 4
1421-134-0021-0	37-16	1421-207-0030-0	47- 5	1421-403-0010-0	28-33
1421-134-0030-0	38-11		52-86		31-26
1421-134-0040-0	38-16	1421-207-0040-0	47-11	1421-403-0020-0	28-32
1421-134-0050-0	38-12	1421-208-1000-0	47-18		31-27
1421-134-0061-0	38-14	1421-209-0010-0	47-23	1421-403-0030-0	28-37
1421-134-0070-0	38-15	1421-209-0020-0	47-26		31-31
1421-134-0110-0	40- 2	1421-209-0030-0	47-29	1421-403-0060-0	28-18
1421-134-0130-0	40- 7	1421-209-0040-0	47-32	1421-403-0070-0	28-20
1421-134-0150-0	40-13	1421-209-0050-0	47-35	1421-403-0080-0	28-19
1421-134-0160-0	40-27	1421-209-0060-0	47-39	1421-403-2100-0	28-11
1421-134-0170-0	40-29	1421-209-0070-0	47-12	1421-403-2200-0	28-12
1421-134-0180-0	40-23	1421-211-0010-0	46- 1	1421-406-0020-0	34- 4
1421-134-0190-0	40-16	1421-211-0021-0	38-21	1421-411-2000-0	32- 0-1
1421-134-0210-0	40-18		46-50	1421-431-0010-0	30- 1
1421-134-0220-0	40-17	1421-212-0010-0	46- 9	1421-431-0020-0	30- 2
1421-134-2001-0	40-32	1421-212-0040-0	46-14	1421-431-0030-0	30- 3
1421-134-2101-0	40-34	1421-216-0010-0	46-25	1421-431-0040-0	30- 4
1421-134-2200-0	40-24	1421-216-0040-0	46-32	1421-431-0050-0	30- 9
1421-201-0020-0	44-40	1421-216-0050-0	46-23	1421-431-0060-0	30-10
1421-201-0030-0	29-28	1421-216-2000-0	46-20	1421-431-0070-0	30-13
	44-30	1421-301-0060-0	46-48	1421-431-0080-0	30-14
1421-201-0040-0	44- 4	1421-301-0070-0	49- 1	1421-431-0090-0	30-15
1421-201-0050-0	44- 5	1421-301-0080-0	49- 2	1421-431-0110-0	30-18
1421-201-0060-0	44-10	1421-301-0090-0	49- 3	1421-432-0010-0	29- 5
1421-201-0070-0	44-12	1421-301-0110-0	49-12	1421-432-2000-0	29- 1
1421-201-0080-0	44-13	1421-301-0120-0	49- 7	1421-433-0010-0	29- 9
1421-201-0090-0	44-14	1421-301-0130-0	49- 8	1421-433-0020-0	30-29
1421-201-0100-0	44-18	1421-301-0140-0	49- 9	1421-433-0030-0	30-33
1421-201-0110-0	44-19	1421-301-1000-0	46-39	1421-433-0040-0	29-12
1421-202-0011-0	45- 1	1421-312-0011-0	50-20	1421-433-0050-0	29-13

Parts Code	Ref No.	Parts Code	Ref No.	Parts Code	Ref No.
1421-433-0060-0	29-14	1421-503-4200-0	54-24	1421-601-0120-0	24-26
1421-433-0070-0	29-16	1421-505-0011-0	52- 1	1421-601-2000-0	24-11
1421-433-0080-0	29-18	1421-506-0010-0	53- 3	1421-601-3000-0	24-12
1421-433-0090-1	29-21	1421-506-2000-0	53-14	1421-602-0010-0	25- 2
1421-433-0110-0	29-22	1421-507-0021-0	52-18	1421-602-0030-0	25-13
1421-433-0121-0	31- 1	1421-507-0030-0	52-21	1421-602-0040-0	25-14
1421-433-0131-0	31- 2	1421-507-0041-0	52-45	1421-602-0050-0	25-16
1421-433-0140-0	31- 5	1421-507-0052-0	52-48	1421-602-0060-0	25-17
1421-433-0151-0	31- 6	1421-507-0060-0	52-49	1421-602-0070-0	25-19
1421-433-0160-0	31- 7	1421-507-0070-0	52-56	1421-602-0080-0	22-20
1421-433-0171-0	31- 9	1421-507-0080-0	52-59	1421-602-0090-0	25- 7
1421-433-0180-0	29-25	1421-507-0090-0	52-64	1421-602-0110-0	25-12
1421-433-0190-0	33- 5	1421-507-0110-0	52-65	1421-602-4001-1	25-11
1421-433-0210-0	29-29	1421-507-0120-0	52-66	1421-602-6000-0	22-14
1421-433-0220-0	29-30	1421-507-0130-0	52-73	1421-602-7000-1	22-17
1421-433-0230-0	29-31	1421-507-0140-0	52-74	1421-602-8000-0	25-18
1421-433-0241-0	31-14	1421-507-0150-0	52-75	1421-603-0010-0	35-10
1421-433-0251-0	31-15	1421-507-0160-0	52-79	1421-603-0020-0	35-16
1421-433-0261-0	31-17	1421-507-0170-0	52-80	1421-603-0030-0	35-19
1421-433-0270-0	31-21	1421-507-0180-0	52-52	1421-603-0040-0	35-11
1421-433-0280-0	31-22	1421-507-2100-0	52-40	1421-604-3000-0	25-24
1421-433-0290-0	31-25	1421-507-2200-0	52-43	1421-606-0020-0	55-21
1421-433-0310-0	31- 8	1421-507-2500-0	52-62	1421-606-0030-0	55-18
1421-436-0010-0	27-17	1421-508-2000-0	54-19	1421-606-3000-2	55- 1
1421-436-0020-0	27-18	1421-511-3000-0	62-13	1421-606-4001-2	55- 2
1421-436-2200-0	27-23	1421-511-4000-0	62-14	1421-611-0040-0	55-33
1421-436-2220-0	27-24	1421-600-0541-0	57-21	1421-621-0040-0	58- 2
1421-437-2002-0	34-21	1421-600-0550-0	58- 5	1421-621-0060-0	57-20
1421-438-2000-0	33- 0-2	1421-600-0560-0	58- 9	1421-621-0070-0	57-24
1421-438-2010-0	33- 2	1421-600-0570-0	58-13	1421-621-0081-0	57-22
1421-438-2100-1	33- 1	1421-601-0020-0	24- 7	1421-621-0160-0	57- 6
1421-438-2200-0	33- 0-3	1421-601-0030-0	24- 9	1421-621-0170-0	57- 7
1421-438-2300-0	33- 0-1	1421-601-0040-0	24-15	1421-621-0190-0	57- 9
1421-501-0030-0	52-85	1421-601-0050-0	24-21	1421-621-0220-0	57-10
1421-503-0040-0	54- 1	1421-601-0060-0	24-23	1421-621-0290-0	59- 9
1421-503-0050-0	54-25	1421-601-0070-0	24-24	1421-621-0300-0	59-11
1421-503-0060-0	54-26	1421-601-0080-0	24-28	1421-621-0310-0	59-10
1421-503-3000-0	54-14	1421-601-0090-0	24-29	1421-621-0320-0	59-12
1421-503-4100-0	54- 8	1421-601-0110-0	24-25	1421-621-0330-0	61-11

## CHASSIS

Parts Code	Ref No.	Parts Code	Ref No.	Parts Code	Ref No.
1421-621-0360-0	57-18	1422-361-2200-0	56- 0-3	1422-605-0040-0	24-31
	57-30	1422-362-2000-0	56- 0-4	1422-605-0050-0	23-15
1421-621-0370-0	57-29	1422-362-2100-0	56- 0-5	1422-605-0060-0	24-32
1421-621-0380-0	57-12	1422-362-2110-1	56-12	1422-651-2000-0	24-20
1421-621-2000-0	59- 1	1422-362-2120-0	56-13	1422-652-2000-2	24- 1
1421-621-2010-0	59- 2	1422-362-2130-0	56-14	1422-656-2001-0	25- 1
1421-621-2020-0	59- 3	1422-362-2200-0	56- 0-6	1422-656-2100-0	25- 5
1421-621-2030-0	59- 4	1422-451-2101-0	26-13	1422-661-2000-2	35- 1
1421-906-0010-0	63-15		27-10	1422-665-2000-0	55- 7
1422-026-2000-0	45-14-1	1422-451-2201-0	26-14	1422-665-2100-0	55- 8
1422-026-3000-0	45-14		27-11	1422-665-2200-0	55-15
1422-155-0010-0	21- 7	1422-452-2000-0	26- 1	1422-668-0010-0	55-41
1422-155-0020-0	63- 8	1422-452-2100-0	28- 1	1422-668-0020-0	55-39
1422-155-0030-0	63- 9	1422-453-0010-0	28-31	1422-668-2000-0	55-25
1422-155-0040-0	63-12	1422-455-2100-0	27- 7	1422-668-2010-0	55-26
1422-155-2100-0	21- 1	1422-456-2000-0	27- 1	1422-668-2020-0	55-27
1422-155-2110-0	21- 6	1422-460-2000-0	34-16	1422-668-2030-0	55-28
1422-155-2200-0	22- 1	1422-465-2000-0	32- 0-3	1422-668-2100-0	55-40
1422-155-2210-0	22-10	1422-465-2100-0	32- 0-4	1422-668-2200-0	55-36
1422-155-2300-0	63-11	1422-465-2110-1	32- 5	1422-671-2000-0	50-25
1422-155-2310-0	22-11	1422-465-2200-0	32- 0-5	1422-671-2100-0	50-26
1422-160-2000-0	43- 1	1422-551-0010-0	52-11	1422-681-0010-0	26- 5
1422-161-0010-0	38-10	1422-551-0020-0	52-27		27- 5
1422-161-0020-0	40- 1	1422-551-0030-0	52-30	1422-686-0010-0	57- 5
1422-161-0030-0	40- 9	1422-551-2000-0	52-22	1422-686-0020-0	57- 8
1422-161-0040-0	40-12	1422-551-2100-0	52-54	1422-686-2000-0	57- 1
1422-251-0011-0	44- 1	1422-551-2200-0	52-26	1422-686-2100-0	57- 3
1422-251-2000-0	44-32	1422-551-2300-0	52-70	1422-686-2200-0	58- 1
1422-280-0010-0	46- 5	1422-555-0010-0	62-34	1422-687-0010-0	61- 5
1422-280-0020-0	46- 3	1422-555-0020-0	62-27	1422-687-2000-0	61- 1
1422-283-0010-0	46- 8	1422-555-2000-0	62-26	1422-687-2010-0	61- 2
1422-286-0010-0	46-29	1422-555-2100-0	62-23	1422-687-2020-0	61- 3
1422-286-0020-0	46-35	1422-555-2200-0	62-30	1422-687-2030-0	61- 4
1422-302-0010-0	49-29	1422-560-0010-0	63- 5	1422-931-0010-0	24-16
1422-302-0020-0	49-30	1422-560-2000-0	63- 1	1422-940-0010-0	24- 6
1422-308-0010-0	48-15	1422-560-2100-0	63- 4	1422-940-0020-0	24- 8
1422-361-2000-0	56- 0-1	1422-605-0010-0	25-31	1422-940-0030-0	24- 2
1422-361-2100-0	56- 0-2	1422-605-0020-0	25-32	1422-940-0040-0	24- 4
1422-361-2110-0	56- 1	1422-605-0030-0	25-33	1422-940-0050-0	55- 5

Parts Code	Ref No.	Parts Code	Ref No.	Parts Code	Ref No.
1422-940-0060-0	46-36	1426-621-0360-0	59-19	1430-121-0130-0	38-26
1422-940-0070-0	35- 5	1426-621-0380-0	57-19	1430-121-2000-0	38-29
1422-940-0080-0	35- 2	1427-201-0070-0	52- 8	1430-121-2100-0	38-31
1422-940-0090-0	35-12	1427-201-0080-0	52- 9	1430-122-0010-0	39-18
1422-940-0110-0	35- 9	1427-201-0160-0	44-39	1430-122-2100-0	39- 7
1422-940-0120-0	35- 7		48- 5	1430-122-2200-0	39- 9
1422-940-0130-0	35- 8	1427-301-0030-0	30-19	1430-122-2300-0	39- 5
1422-940-0140-0	34-26	1427-301-0040-0	30-20	1430-201-0010-0	44- 4-1
1422-940-0150-0	55- 6	1427-301-0050-0	30-21	1430-201-0020-0	44-10-1
1422-940-0160-0	24-34		49- 6	1430-201-0030-0	44-18-1
1422-941-0030-0	24-34-1	1427-301-0060-0	30-22	1430-201-0040-0	44-19-1
1422-946-0010-0	26- 6	1427-301-0070-0	30-23	1430-201-0050-0	44-22-1
1422-946-0020-0	27- 6	1427-301-0080-0	30-24	1430-201-0060-0	44-23-1
1423-101-0051-0	21- 7-1	1427-317-0040-0	36- 7	1430-201-0070-0	49-15
1423-505-0010-0	54- 1-1		37- 7	1430-201-0080-0	49-16
1423-511-2000-0	62-15	1427-332-2110-0	32- 6	1430-202-0010-0	45- 1-1
1423-600-0520-0	59-38	1427-941-0040-0	55- 4	1430-202-0020-0	45- 2-1
1423-621-0050-0	59-39	1427-941-0130-0	55- 3	1430-202-0030-0	45- 9
1423-621-0060-0	59-41	1427-941-0160-0	24- 3	1430-202-0040-0	45- 8
1423-621-0070-0	59-42	1427-941-0170-0	34- 8	1430-202-0050-0	45- 7-1
1423-621-0080-0	59-43	1427-941-0190-0	35- 3	1430-203-0020-0	45-15
1423-621-0090-0	59-44	1427-941-0210-0	35- 4	1430-203-0030-0	45-16-1
1423-621-0180-0	55-14	1427-941-0220-0	35- 6	1430-203-0040-0	45-19
	59-35	1427-943-0041-0	54-23	1430-203-0050-0	45-20-1
1423-621-0190-0	59-33	1429-411-2000-0	32- 0-2	1430-203-0060-0	45-22-1
1423-621-0200-0	59-40	1429-411-2100-1	32- 1	1430-211-0021-0	46- 1-1
1423-621-0210-0	61-10	1430-012-2000-0	39-13-1	1430-211-2000-0	38-22
1423-621-2010-0	57- 2	1430-101-2201-0	23-14-1	1430-307-0010-0	48-16
1424-101-0040-0	21-10	1430-102-0010-0	42- 7	1430-307-0020-0	48-16-1
1424-101-2030-0	21- 4	1430-111-0010-0	42-34	1430-310-0010-0	51- 1
1424-101-2040-0	21- 5	1430-111-0020-0	42-35	1430-310-0020-0	51-18
1425-431-0150-0	49-11	1430-111-2000-0	42- 1-1	1430-310-2000-0	51- 6
1425-431-0210-0	49-10	1430-121-0030-0	37-17	1430-310-2100-0	51- 6-1
1425-432-0010-0	29- 3	1430-121-0040-0	37-23	1430-310-2200-0	51- 7
1426-128-0010-0	39-10	1430-121-0052-0	38- 1	1430-310-2300-1	51- 8
1426-621-0120-0	59-51	1430-121-0060-0	38- 7	1430-310-2400-1	51- 9
1426-621-0130-0	59-52	1430-121-0090-0	38-35	1430-401-0010-1	26- 7
1426-621-0140-0	59-53	1430-121-0110-0	38-36	1430-401-0020-0	26-10
1426-621-0350-0	59-18	1430-121-0120-0	38-23	1430-601-0010-0	24- 5

## CHASSIS

Parts Code	Ref No.	Parts Code	Ref No.	Parts Code	Ref No.
1430-602-2000-1	25-10	4106-105-3030-0	38-32		
1430-604-2000-0	27-26		40-35		
1430-604-2000-1	26-20		46-18		
1430-604-2200-1	25-27		47-22		
1430-604-2300-0	27-27	7956-205-0160-0	47- 6		
1430-604-2300-1	26-21	7957-405-0030-0	62- 7		
1430-604-2400-0	27-28	7963-201-0030-0	29- 2		
1430-604-2400-1	26-22	7963-603-0010-0	62-16		
1430-605-0010-0	24-33		63- 6		
1430-605-0020-0	25-34	7963-611-0010-0	62- 9		
1431-101-0020-0	23- 7	7963-611-0020-0	62-21		
1431-286-2000-0	46-17	7963-611-0030-0	62- 6		
1431-686-2000-0	59- 7	7963-611-2000-0	62- 1		
1431-686-2010-0	59- 8	7963-611-2100-0	62- 8		
1431-686-2100-0	58-17	7963-611-2200-0	62-12		
1431-686-2120-0	58-18	7963-611-2300-0	62-19		
1431-686-2200-0	58-26	7963-611-2400-0	62-20		
1432-242-0040-0	52-78	7963-613-0020-0	62-31		
1438-665-2000-2	55- 1-1	7963-613-0030-0	62-32		
1438-665-2100-2	55- 2-1	7963-613-0050-0	62-24		
1438-687-0010-0	57-32	7963-613-2200-0	62-29		
1438-687-2000-0	59-49	7963-617-2100-0	62-37		
1438-687-2010-0	59-50				
1438-940-0030-0	24-34-2				
1438-940-0040-0	24-34-3				
1438-946-0010-0	26- 6-1				
1438-946-0020-0	27- 6-1				
2701-101-0520-0	59-34				
3560-103-3050-0	32- 7				
3560-201-0150-0	39-20				
	55-22				
3737-154-0020-0	55-34				
3737-172-0090-0	57-13				
3740-314-0170-0	35-15				
3741-141-0050-0	42-27				
3746-261-2050-0	25- 6				
	26-19				
	27-16				
3768-164-0060-0	42-26				

