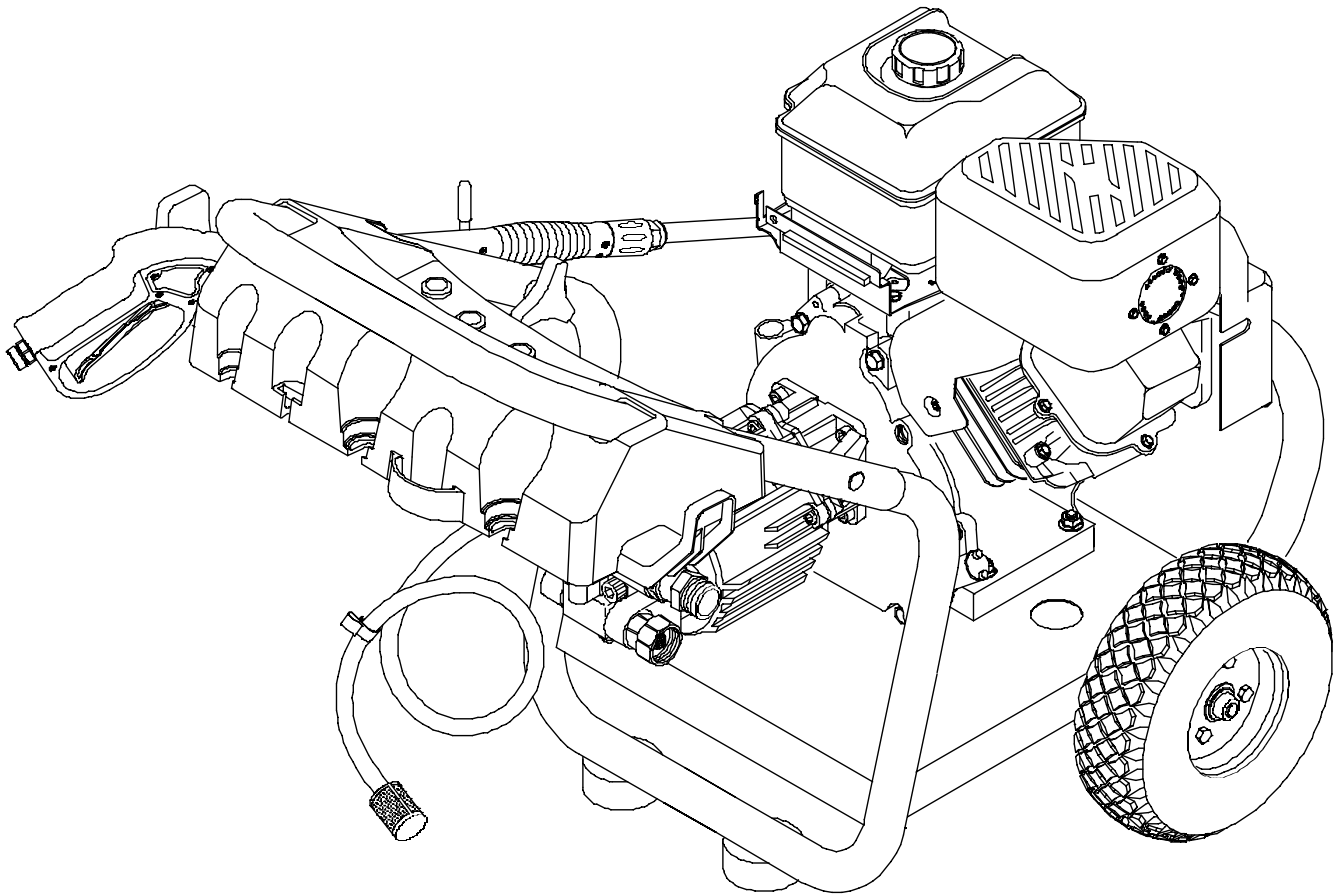




Owner's Manual / Manual del Propietario

Pressure Washer / Lavadora de Presión
Model / Modelo 01904



IMPORTANT: READ SAFETY RULES AND INSTRUCTIONS CAREFULLY
IMPORTANTE: LEYO LA SEGURIDAD LAS ORDENES Y LAS INSTRUCCIONES DETENIDAMENTE

Questions? Preguntas?

Helpline - 1-888-611-6708 M-F 8-5 CT

Troy-Bilt® is a registered trademark of MTD and is used under license to Briggs & Stratton Power Products.
Troy-Bilt® es una marca registrada registrada de MTD y se usa abajo licencia a Briggs & Stratton Power Products.

BRIGGS & STRATTON POWER PRODUCTS GROUP, LLC
JEFFERSON, WISCONSIN, U.S.A.

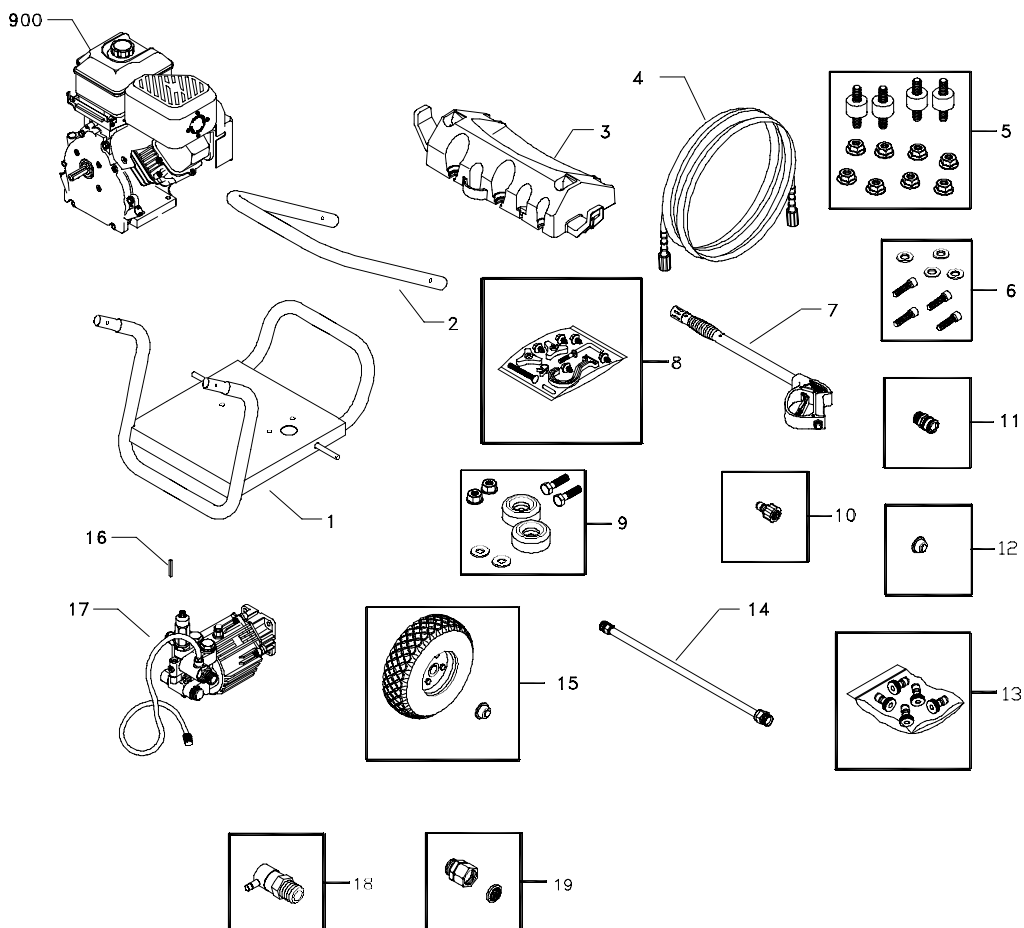


Printed in USA

Manual No. 193121GS Revision I (07/08/2003)

Exploded Views and Parts Lists

EXPLODED VIEW AND PARTS LIST — UNIT



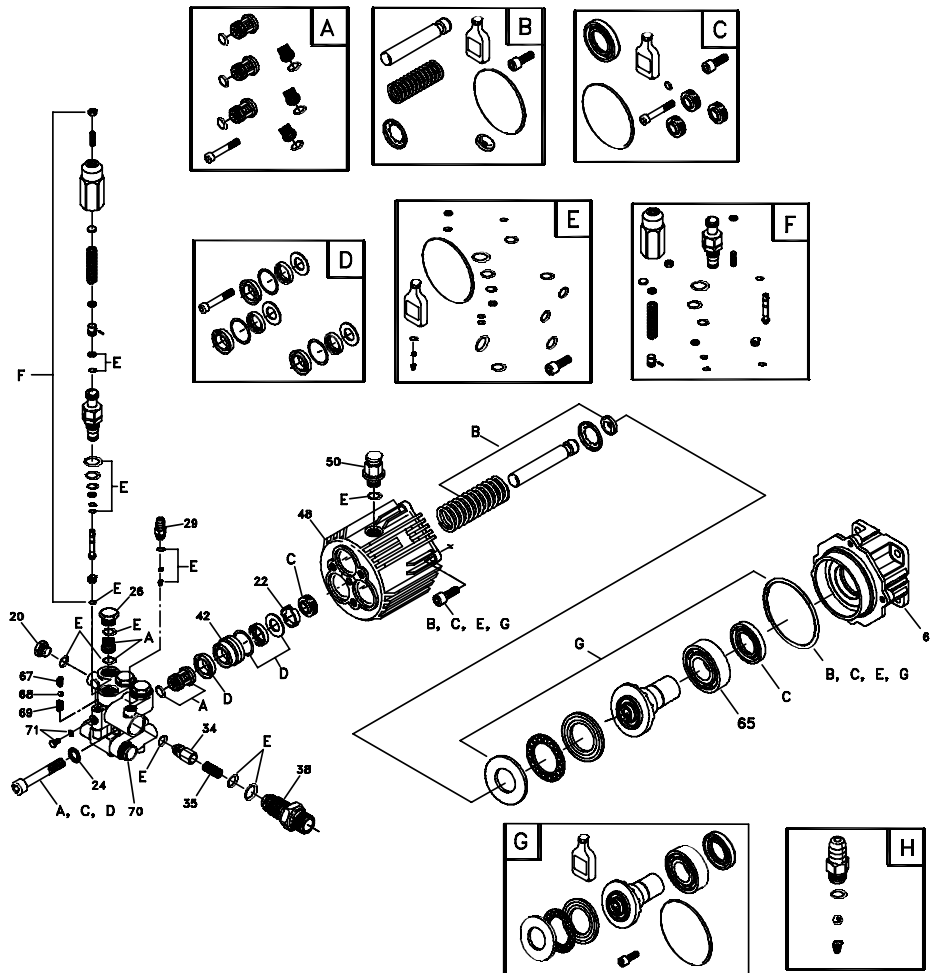
Item	Part #	Description	Item	Part #	Description
1	B190156GS	BASE	11	95518GS	QUICK CONNECT,Wand/Acc
2	B187602GS	HANDLE	12	190147GS	PUSHNUT
3	I92096GS	ASSY, Billboard	13	190717GS	KIT, Spray Tip
4	I85877GS	HOSE	14	190779GS	EXTENSION
5	I92134GS	KIT, Engine Mounting Hardware	15	I92526GS	KIT, Wheel
6	I92131GS	KIT, Pump Mounting Hardware	16	23139BGS	KEY
7	I90049GS	GUN	17	I93087GS	ASSY, Pump (see page 19)
8	I90668GS	KIT, Handle Fasteners	18	B1554GS	RELIEF,Thermal
9	I92553GS	KIT,Vibration Mount	19	I92135GS	KIT, Garden Hose Inlet
10	95519GS	QUICK CONNECT,Wand End	900	NSP	ENGINE

Items Not Illustrated:

Part #	Description
I93121GS	MANUAL, Owner's
I92554GS	KIT, Decals
BB3061BGS	OIL, Engine
I91922GS	KIT, O-RING MAINT & NZZL CLNNG

Section 8: Exploded Views and Parts Lists

EXPLODED VIEW AND PARTS LIST — PUMP



Item	Part #	Description
20	190638GS	PLUG
22	190639GS	SPACER
24	190640GS	WASHER
26	190641GS	PLUG
29	190642GS	HOSE TAIL
34	190643GS	JET
35	190644GS	SPRING
38	190645GS	INJECTOR, Detergent
42	190646GS	PISTON, Guide
48	190647GS	HOUSING
50	191441GS	VENT, CAP
64	193124GS	FLANGE
65	193125GS	BALL BEARING
67	190651GS	GRUB SCREW
68	190652GS	BALL

Item	Part #	Description
69	190653GS	SPRING
70	190654GS	PUMP HEAD
71	190655GS	GRUB SCREW & WASHER
72	190656GS	OIL BOTTLE
A	190657GS	KIT, CHECK VALVE
B	190658GS	KIT, PISTON SET
C	193129GS	KIT, SEAL OIL
D	190660GS	KIT, SEAL HIGH PRESSURE
E	190677GS	KIT, O-RINGS
F	193126GS	KIT, UNLOADER
G	193127GS	KIT, CAM & BEARING
H	192914GS	KIT, CHEMICAL INJECT

NOTE: Item letters A - H are service kits and include all parts shown within the box.