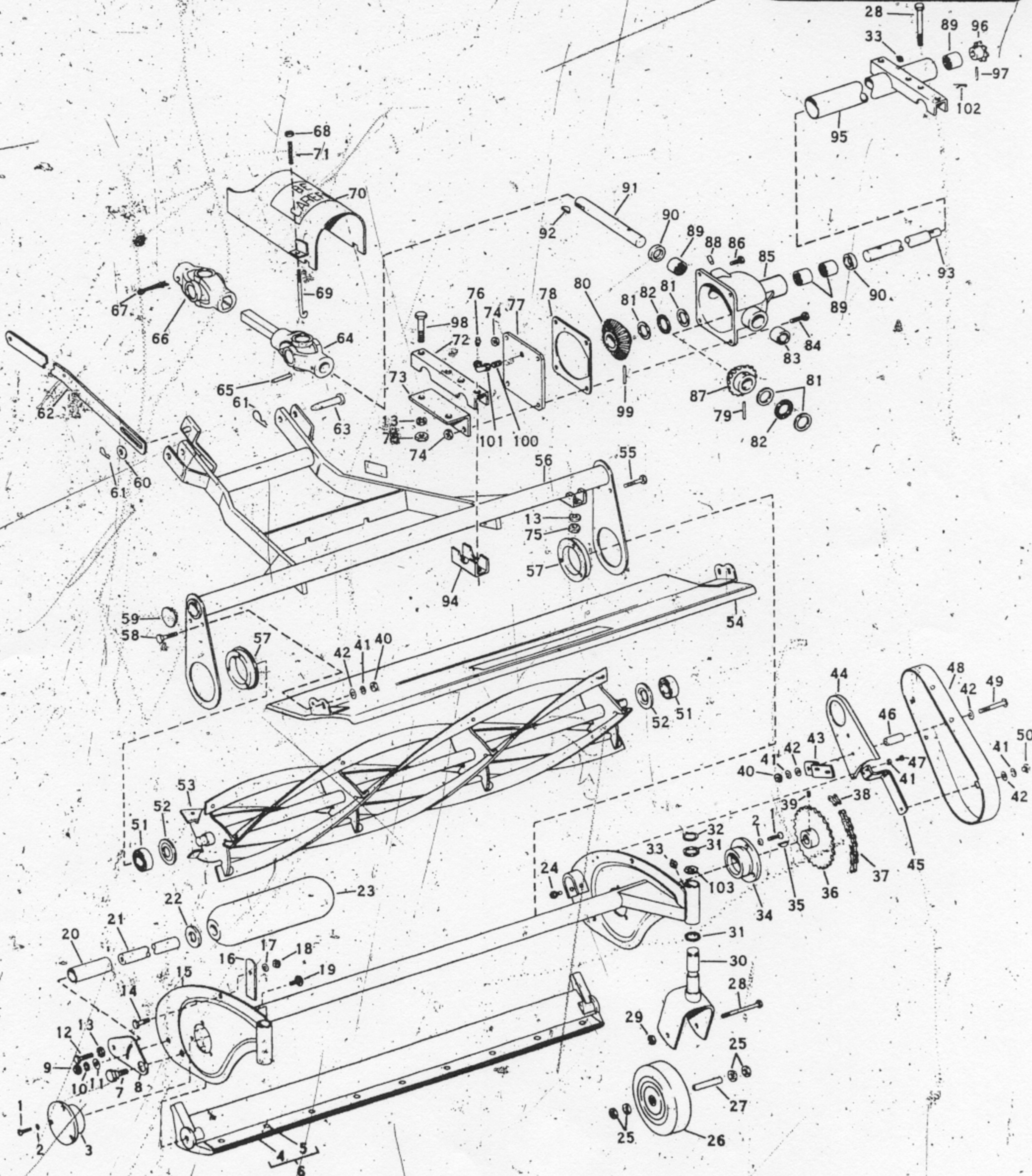


ILLUSTRATED PARTS LIST

BOLENS

REEL MOWER

MODELS 18447-03 AND 18447-04



REEL MOWER MODELS 18447-03 AND 18447-04

Ref. No.	Part No.	Description	No. Req'd.
1	1117578	Flat Head Screw 1/4-20 x 7/8	6
2	1185041	Lock Washer 1/4	6
3	1700364	Bearing Retainer	1
4	181810	Cutter Blade Only	1
5	139871	Rivet	9
6	990652	Cutter Bar Assembly	1
7	129641	Cutter Bar Screw	2
8	308701	Bracket	2
9	1103839	Hex Nut 5/16-18	2
10	1100242	Lock Washer 5/16	2
11	1107382	Flat Washer 5/16	2
12	1106919	Capscrew 3/8-16 x 1	2
13	1100243	Lock Washer 3/8	8
14	1106874	Capscrew 5/16-18 x 3/4	2
15	1703582	Frame	1
16	308706	Transport Lock	2
17	121900	Bowed Washer	2
18	1100254	Flat Washer 1/4	2
19	1700404	Bolt - Special	2
20	190173	Spacer	2
21	310856	Shaft	1
22	1107387	Flat Washer 3/4	4
23	180887	Roller	3
24	129987	Adjusting Screw	4
25	1107385	Flat Washer 1/2	8
26	181036	Wheel	2
27	190181	Bearing (18447-03)	
	1715571	Bearing (18447-04)	
28	1106938	Capscrew 3/8-16 x 2-3/4	6
29	1110108	Lock Nut 3/8-16	2
30	990629	Wheel Fork (18447-03)	
	1715542	Wheel Fork (18447-04)	
31	121898	Flat Washer	4
32	1113527	Retainer Ring	2
33	1104954	Grease Fitting	3
34	1700298	Bearing Retainer	1
35	1100275	Woodruff Key 3/32 x 5/8	1
36	1703459	Sprocket - 26T	1
37	1703407	Chain	1
38	1185013	Connector Link	1
39	1185550	Set Screw 3/8-16 x 5/16	2
40	1103888	Hex Nut 1/4-20	5
41	1100241	Lock Washer 1/4	8
42	1107381	Flat Washer 1/4	2
43	1713858	Bracket	1
44	1703458	Inner Chain Guard	1
45	1703461	Bracket	1
46	119484	Spacer	1
47	1106829	Capscrew 1/4-20 x 1/2	2
48	1703457	Outer Chain Guard	1
49	1185027	Machine Screw 1/4-20 x 2	1
50	1185028	Machine Screw 1/4-20 x 3/8	1
51	1165064	Ball Bearing	2

Ref. No.	Part No.	Description	No. Req'd.
52	1700924	Slinger	2
53	1700209	Reel (Inc 51 & 52)	1
54	990638	Reel Cover	1
55	1106840	Capscrew 1/4-20 x 1	2
56	1713870	Support & Hitch	1
57	1700297	Bearing Pivot	2
58	1106832	Capscrew 1/4-20 x 5/8	2
59	1700311	Plug Button	2
60	1107383	Flat Washer 3/8	1
61	1703011	Spring Cotter	3
62	1714432	Lift Link	1
63	1713501	Clevis Pin	2
*64	1713863	Universal Joint and Shaft	1
65	1185220	Roll Pin 3/16 x 1-1/2	1
*66	1715008	Universal Joint	1
67	1716369	Cotter Pin - Special	1
68	1110106	Lock Nut 1/4-20	2
69	1713873	U-Bolt	2
70	1713875	Guard	1
71	1709389	Spring	2
72	1713865	Bracket	1
73	1713864	Bracket	1
74	1110107	Lock Nut 5/16-18	6
75	1103840	Hex Nut 3/8-16	6
76	1105678	Plug	1
77	1716384	Cover	1
78	1713662	Gasket	1
79	1185248	Roll Pin 1/4 x 1-1/4	1
80	1713663	Bevel Gear - 23T	1
81	1185432	Thrust Washer	4
82	1185431	Thrust Bearing	2
83	1713665	Needle Bearing	1
84	1106878	Capscrew 5/16-18 x 1	2
*85	1713641	Gear Case Only	1
88	1106876	Capscrew 5/16-18 x 7/8	2
87	1713664	Bevel Pinion - 16T	1
88	182682	Breather	1
89	1185010	Needle Bearing	4
90	1185296	Seal	2
91	1713658	Shaft	1
92	1104436	Woodruff Key 3/16 x 3/4	1
93	1713857	Shaft	1
94	1713860	Clamp	2
95	1713866	Shaft Support	1
96	1713859	Sprocket - 8T	1
97	1716257	Shear Pin	2
98	1106930	Capscrew 3/8-16 x 1-3/4	2
99	1185284	Roll Pin 1/4 x 2	1
100	1105751	Nipple 3/8 x 2-1/2	1
101	1105028	Elbow 45°	1
102	1100364	Cotter Pin 1/16 x 3/8	4
103	1713389	Spacer (18447-04)	2

*1714207 Repair Kit For Joint
Marked 6N

*1714208 Repair Kit For Joint
Marked Neapco

**1714396 Complete Gear Case
Assy