
MODEL 726

Serial Number
0200101
thru
0299999

PARTS LIST

**BOLENS
26 INCH
SNOWTHROWER**

BOLENS 26 INCH SNOW THROWER

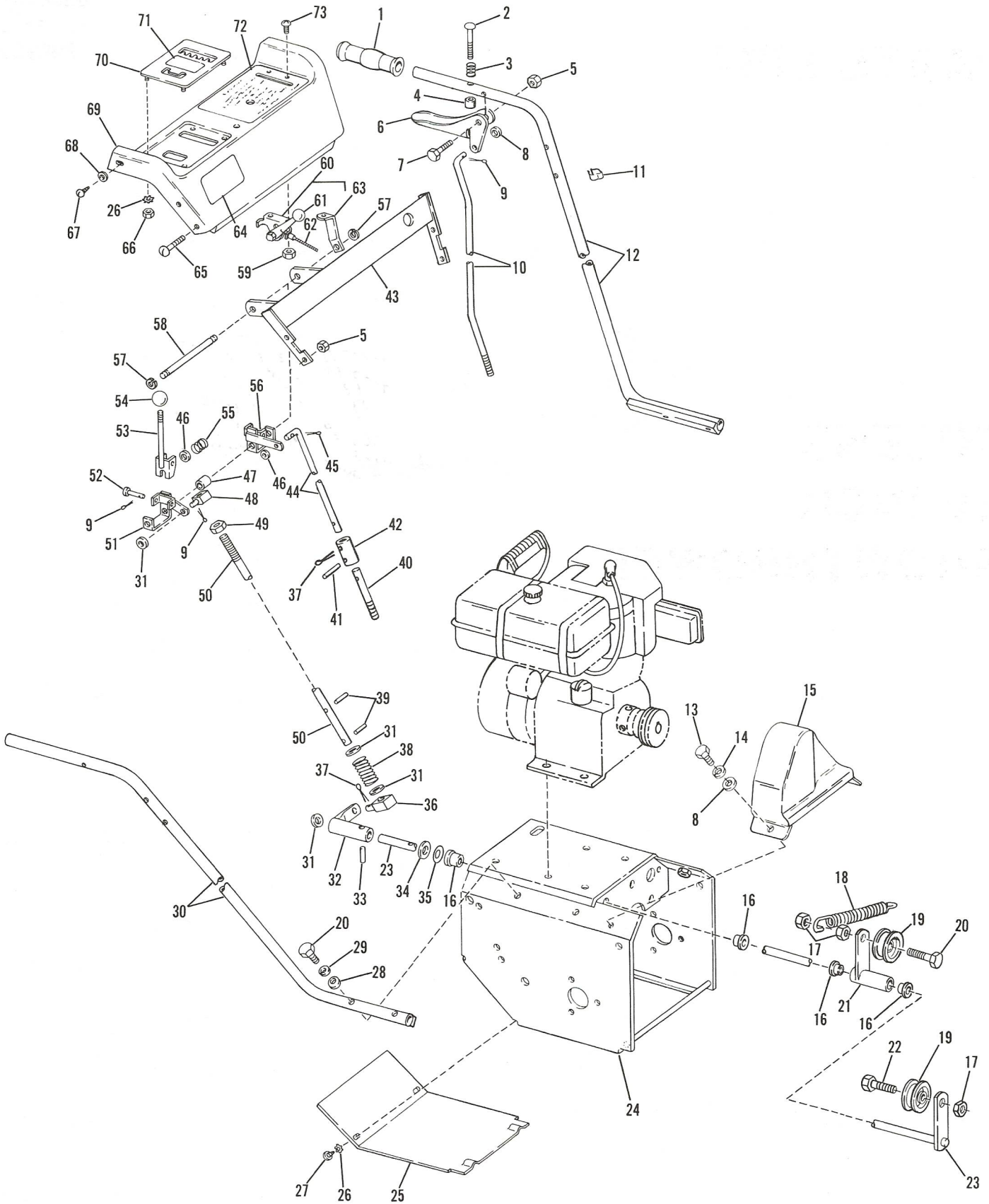


Figure 1 TRIM, CONTROL AND FRAME ASSEMBLY

MODEL 726 - Serial Number 0200101 thru 0299999

REF. NO.	PART NO.	DESCRIPTION	NO. REQ'D.
1	1703539	Handle Grip	2
2	1186080	Carriage Bolt, 1/4-20 x 3	1
3	1720884	Compression Spring	1
4	1727167	Stop Collar	1
5	1110106	Hex Lock Nut, 1/4-20	5
6	1715131	Clutch Handle	1
7	1100811	Hex Head Capscrew, 1/4-20 x 1-1/2	1
8	1107381	Flat Washer, 1/4	3
9	1100346	Cotter Pin, 3/32 x 3/4	4
10	1727050	Clutch Control Rod	1
11	149925	Cable Clip	1
12	1725131	Left Hand Handle	1
13	1100805	Hex Head Capscrew, 1/4-20 x 3/4	2
14	1100241	Lockwasher, 1/4	2
15	1725128	Belt Guard	1
16	1715716	Bushing	4
17	1185506	Self Locking Jam Nut, 3/8-16	3
18	1725263	Extension Spring	1
19	1720936	Idler	2
20	1100086	Hex Head Capscrew, 3/8-16 x 1-3/4	5
21	1725176	Idler Arm	1
22	1100043	Hex Head Capscrew, 3/8-16 x 1-1/4	1
23	1725173	Idler Arm	1
24	1727060	Frame Assembly	1
25	1725149	Bottom Cover	1
26	1185489	Shakeproof Washer, No. 10	6
27	1185750	Screw, Self Drilling, No. 10-24 x 1/2	2
28	1724642	Washer, Special	4
29	1100243	Lockwasher, 3/8	4
30	1725133	Right Hand Handle	1
31	1107382	Flat Washer, 5/16	4
32	1725160	Control Arm	1
33	1185389	Drive Pin, 5/32 x 3/4	1
34	1107385	Flat Washer, 1/2	1
35	1706782	Bowed Washer	1
36	1725265	Swivel Block	1

REF. NO.	PART NO.	DESCRIPTION	NO. REQ'D.
37	1100350	Cotter Pin, 1/8 x 1	1
38	1713781	Compression Spring	1
39	1724885	Drive Pin, 3/32 x 3/4	2
40	1727159	Shift Rod Extension	1
41	1177625	Roll Pin, 1/8 x 3/4	1
42	1721782	Coupling	1
43	1725144	Crossmember	1
44	1727024	Speed Control Rod	1
45	1100349	Cotter Pin, 1/8 x 3/4	1
46	1107383	Flat Washer, 3/8	2
47	1725196	Spacer	1
48	1725264	Swivel Block	1
49	1186230	Hex Nut, 5/16-18	1
50	1725267	Auger Control Rod	1
51	1725162	Pivot Arm	1
52	1724760	Clevis Pin	2
53	1725157	Control Lever	2
54	1715817	Knob	2
55	1723367	Compression Spring	2
56	1727029	Pivot Arm	1
57	1185257	Retaining Ring	2
58	1725195	Pivot Shaft	1
59	1185985	External Lockwasher Nut, No. 10	2
60	1725297	Throttle Control (Incl. Ref. Nos. 61 and 62)	1
61	1724527	Control Knob	1
62	1705317	Wire Only	1
63	1725187	Support	1
64	1723510	Decal, Logo	1
65	1115987	Round Head Machine Screw, 1/4-20 x 1-1/2	4
66	1109845	Hex Nut, No. 10-32	4
67	1185549	Thread Cutting Screw, No. 10-24 x 5/8	2
68	1103959	Flat Washer, No. 10	2
69	1724881	Console	1
70	1727023	Quadrant	1
71	1727030	Decal, Wheel & Auger Drive	1
72	1725307	Decal, Instructions	1
73	1115815	Round Head Phillips Screw, No. 10-24 x 5/8	2

BOLENS 26 INCH SNOW THROWER

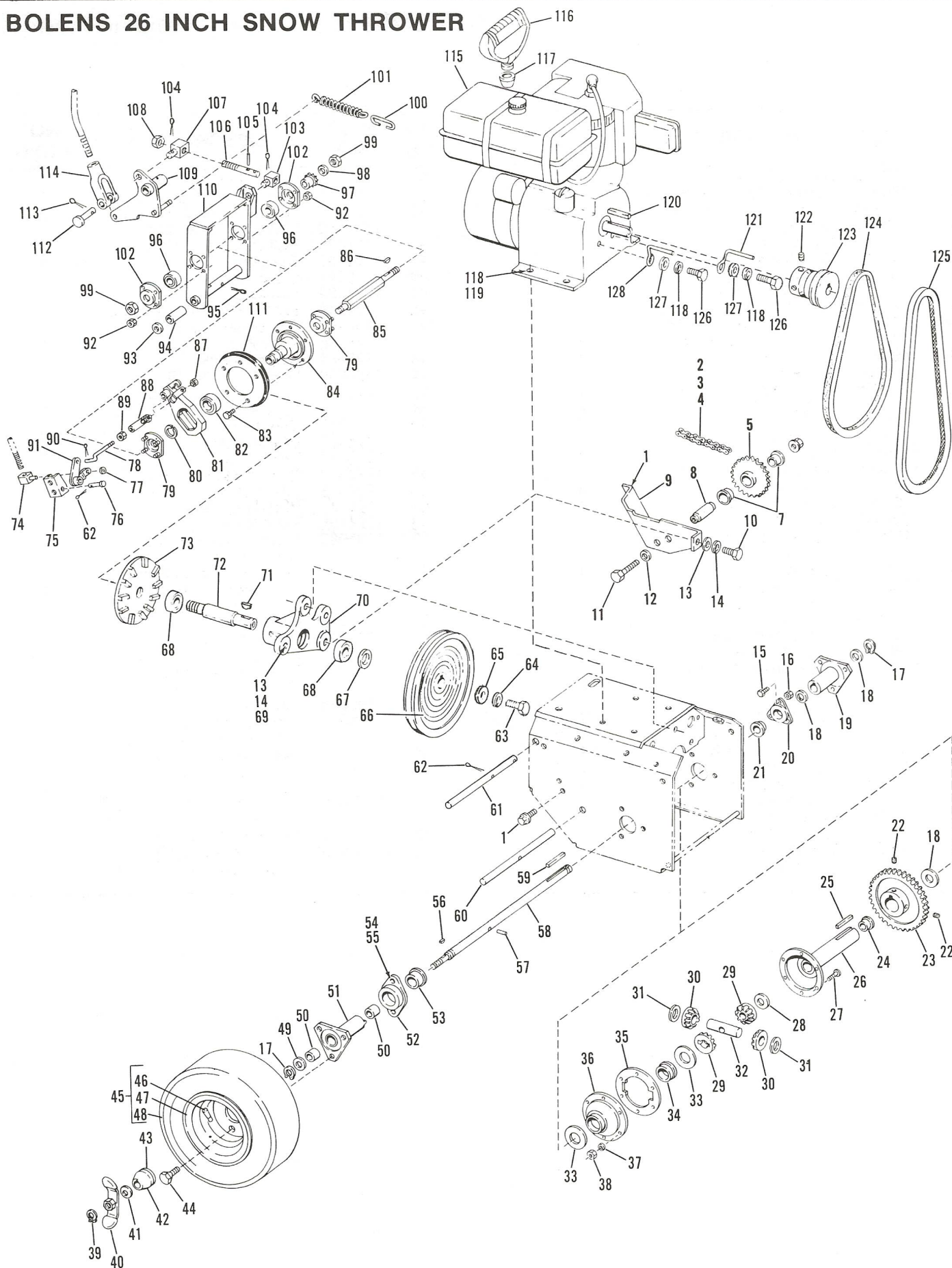


Figure 2 ENGINE AND DRIVE ASSEMBLY

MODEL 726 - Serial Number 0200101 thru 0299999

REF. NO.	PART NO.	DESCRIPTION	NO. REQ'D.	REF. NO.	PART NO.	DESCRIPTION	NO. REQ'D.
1	1186327	Flange Whiz Lock Screw, 5/16-18 x 1/2	4	64	1100242	Lockwasher, 5/16	1
2	182087	Offset Link (Half Link)	1	65	1713233	Washer, Flat Special	1
3	1185013	Conn. Link, No. 41 Chain	1	66	1725281	Sheave	1
4	1720939	Drive Chain, 1/2 Pitch, ASA No. 41	1	67	1185830	Washer, Special	2
5	1720839	Pinion and Sprocket	1	68	1185809	Ball Bearing	2
6	1186391	Flange Nut, 5/16-18	1	69	1103212	Capscrew, 3/8-16 x 5/8	4
7	1185802	Flange Bearing	2	70	1721749	Bearing Housing	1
8	1720877	Pinion Shaft	1	71	1185885	Woodruff Key, 3/16 x 5/8	1
9	1721735	Support Bracket	1	72	1725189	Spindle	1
10	1106913	Hex Head Capscrew, 3/8-16 x 5/8	1	73	1720918	Drive Plate	1
11	1111609	Hex Head Capscrew, 5/16-18 x 2-3/4	1	74	1721146	Pivot	1
12	1107382	Flat Washer, 5/16	2	75	1720797	Lever Bracket	1
13	1107383	Flat Washer, 3/8	3	76	1720869	Clevis Pin	1
14	1100243	Lockwasher, 3/8	5	77	1185257	Retaining Ring	1
15	1111599	Hex Head Capscrew, 1/4-20 x 5/8	3	78	1720856	Connecting Link	1
16	1110106	Hex Lock Nut, 1/4-20	3	79	1720810	Flange Bearing Assembly	2
17	1113527	Retaining Ring	2	80	1185812	Snap Ring	1
18	1185830	Special Washer	2	81	1720844	Sliding Fork	1
19	1720855	Wheel Hub	1	82	1185806	Thrust Bearing	1
20	1720920	Bearing Support	1	83	1185797	Screw, 5/16-18 x 1/2	5
21	1185801	Flange Bearing	1	84	1720904	Friction Disc Hub	1
22	1182554	Set Screw, 5/16-18 x 5/16	2	85	1720862	Hex Shaft	1
23	1721765	Gear, 48T	1	86	1104435	Woodruff Key	1
24	1185390	Bronze Bearing	1	87	1110149	Lock Nut, 5/16-24	1
25	1108844	Key, 1/4 Square x 1-1/4	1	88	1720925	Ball Joint	1
26	1727035	Drive Sleeve	1	89	1109528	Hex Nut, 5/16-24	1
27	1114755	Round Head Slotted Screw, No. 10-32 x 5/8	6	90	1100346	Cotter Pin, 3/32 x 3/4	1
28	1707546	Thrust Washer	As Req'd.	91	1727026	Transfer Lever	1
29	1708689	Differential Gear	2	92	1185460	Lock Nut, No. 10-24	8
30	1708688	Differential Pinion	2	93	1185831	Shim Washer	As Req'd.
31	1706873	Thrust Washer	2	94	1720872	Spacer Hub	1
32	1708690	Differential Shaft	1	95	1100351	Cotter Pin, 1/8 x 1-1/4	1
33	1706471	Retaining Washer	As Req'd.	96	1185808	Ball Bearing	2
34	1185391	Bronze Bearing	1	97	1720861	Sprocket, 9T	1
35	1721739	Locator Plate	1	98	1890234	Flat Washer, 1/2	1
36	1708682	Differential Housing	1	99	1110152	Lock Nut, 1/2-20	2
37	1100240	Lockwasher, No. 10	6	100	1727290	Spring Hook	1
38	1109845	Hex Nut, No. 10-32	6	101	1727011	Extension Spring	1
39	1725197	External Grip Ring	1	102	1720811	Flange Bearing	2
40	1725180	Handle	1	103	1727052	Pivot Block	1
41	1725198	Spring Washer	1	104	1100349	Cotter Pin, 1/8 x 3/4	1
42	1725183	Disc Assembly (Incl. Ref. No. 43)	1	105	1177625	Roll Pin, 1/8 x 3/4	2
43	1725182	Facing Only	1	106	1727051	Adjusting Rod	1
44	1716223	Lug Bolt	6	107	1727053	Pivot Block	1
45	1725303	Wheel and Tire Assy. (Incl. Ref. Nos. 46, 47 and 48)	2	108	1186231	Hex Nut, 3/8-16	1
46	1718086	Valve Stem	1	109	1727048	Pivot Arm Assembly	1
47	1725301	Wheel Disc	1	110	1727058	Bracket Assembly	1
48	1725302	Tire 13x5.00-6	1	111	1720859	Molded Friction Disc	1
49	1700821	Washer	As Req'd.	112	1710348	Clevis Pin	1
50	1185319	Bronze Bearing	2	113	1187385	Cotter Pin, 1/16 x 1/2	1
51	1725166	Wheel Hub	1	114	1715927	Clevis	1
52	1721771	Flange Bearing	1	115	*	Tecumseh Engine HSK 70	1
53	1725252	Flange Bearing	1	116	1725153	Starter Handle	1
54	1186231	Hex Nut, 3/8-16	2	117	1725327	Starter Handle Bumper	1
55	1186127	Carriage Bolt, 3/8-16 x 7/8	2	118	1100242	Lockwasher, 5/16	6
56	1100905	Woodruff Key, 1/8 x 1/2	1	119	1100086	Hex Head Capscrew, 3/8-16 x 1-3/4	4
57	1715946	Drive Pin, 1/4 x 1-1/4	1	120	1187474	Key, 1/4 Square x 2-1/4	1
58	1725193	Axle Shaft	1	121	1725260	Left Hand Belt Guide	1
59	1181011	Key, 3/16 Square x 2-1/2	1	122	1182554	Set Screw, 5/16-18 x 5/16	2
60	1720870	Bracket Pin	1	123	1726780	Engine Sheave	1
61	1727049	Fork Shaft	1	124	1894272	V-Belt	1
62	1100350	Cotter Pin, 1/8 x 1	3	125	1725253	V-Belt, 34"	1
63	1100044	Capscrew, 5/16-18 x 3/4	1	126	1100004	Hex Head Capscrew, 5/16-24 x 3/4	2
				127	1107382	Flat Washer, 5/16	2
				128	1725259	Right Hand Belt Guide	1

*Purchase Parts from your Tecumseh, Lauson - Power Products Outlet.

BOLENS 26 INCH SNOW THROWER

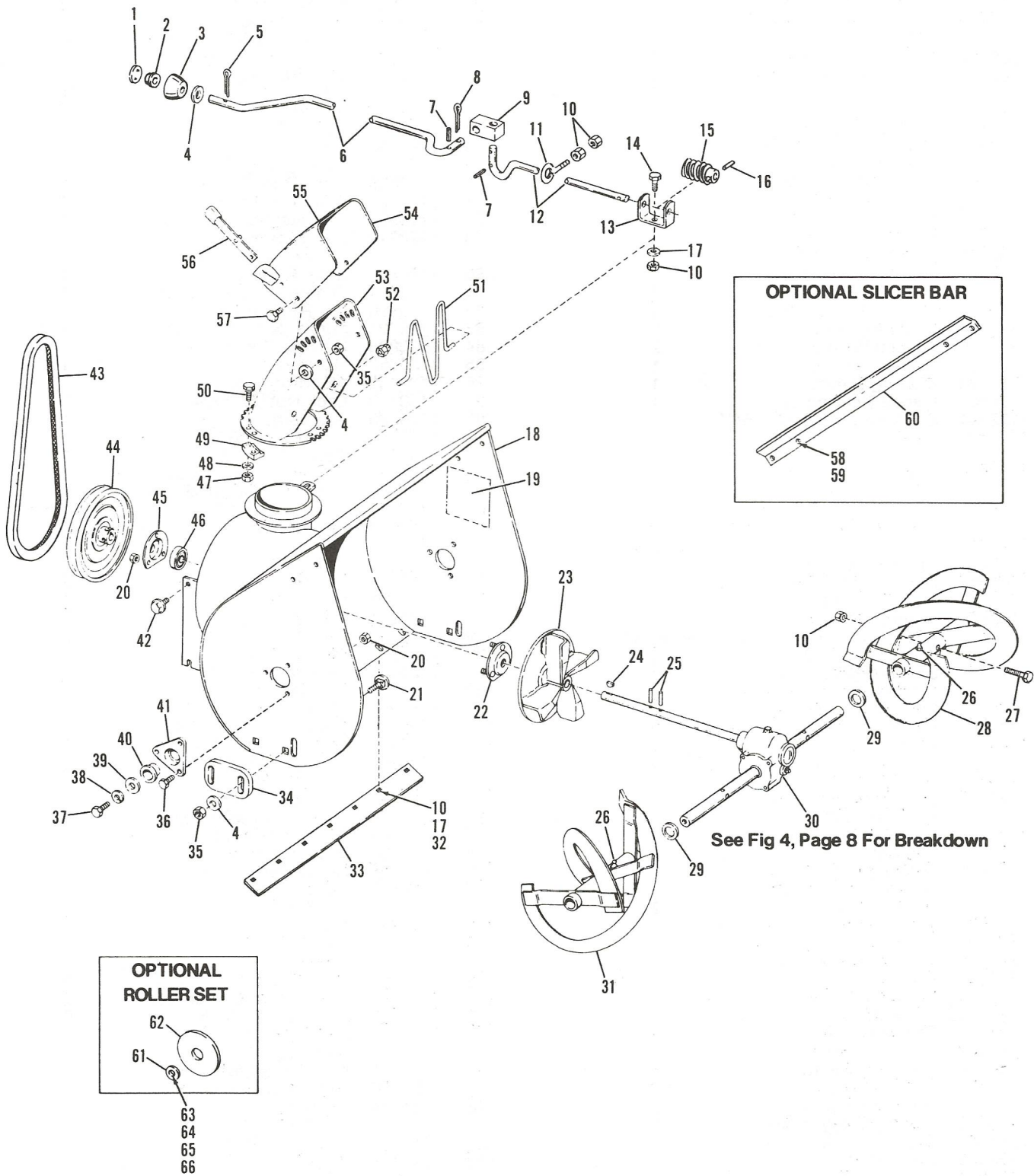
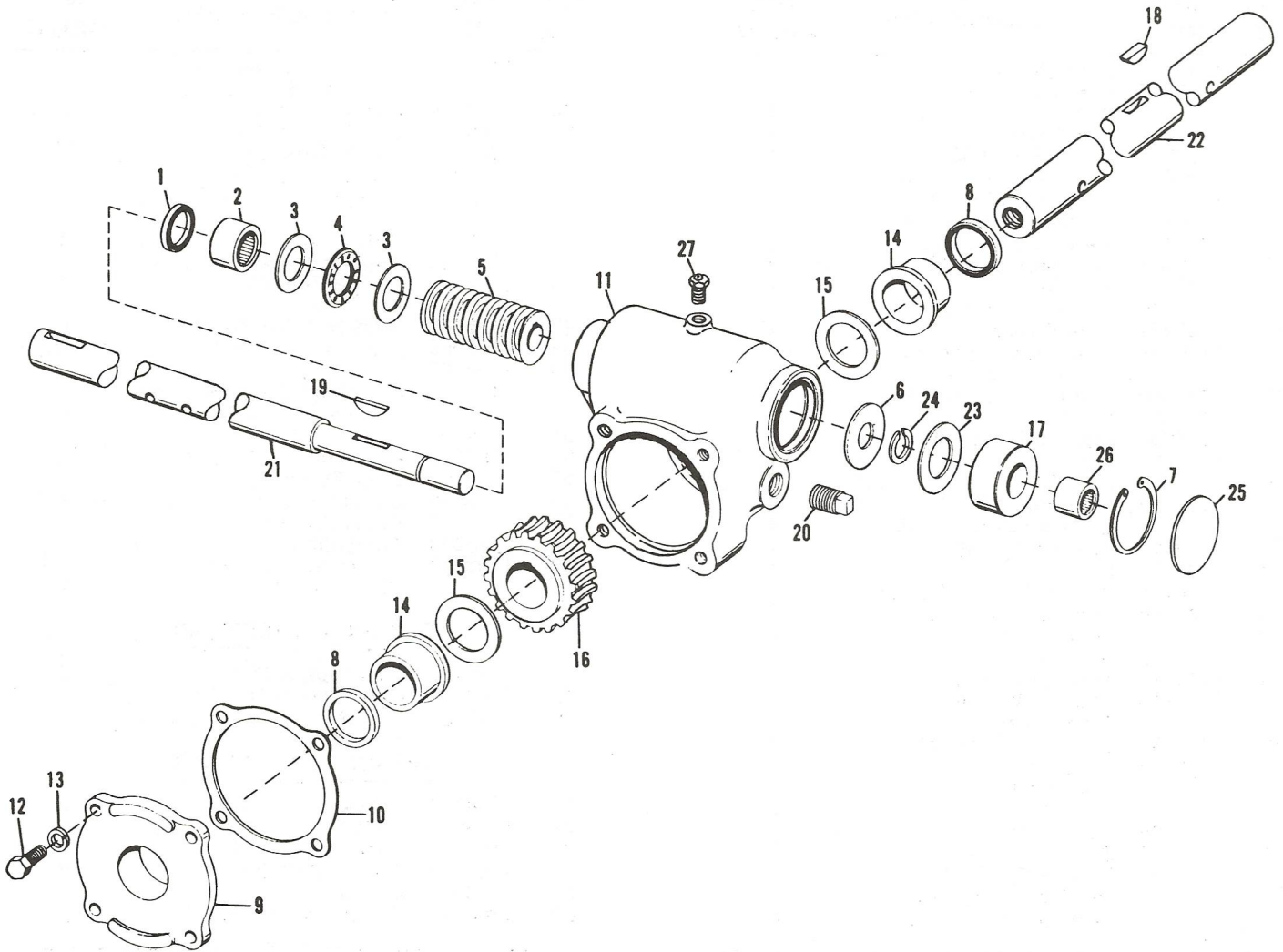


Figure 3 BLOWER HOUSING ASSEMBLY

MODEL 726 – Serial Number 0200101 thru 0299999

REF. NO.	PART NO.	DESCRIPTION	NO. REQ'D.
1	1709135	Plug, Button	1
2	1710146	Cap, Push On	1
3	1727032	Knob	1
4	1107383	Flat Washer, 3/8	7
5	1100346	Cotter Pin, 3/32 x 3/4	1
6	1727031	Chute Control Crank	1
7	1703066	Roll Pin, 1/8 x 3/4	3
8	1100349	Cotter Pin, 1/8 x 3/4	1
9	1714782	Swivel Block	1
10	1110107	Lock Nut, 5/16-18	11
11	1725199	Eye Bolt	1
12	1725270	Chute Control Shaft	1
13	1725271	Gear Support	1
14	1100044	Hex Head Capscrew, 5/16-18 x 3/4	1
15	1724870	Worm, 6 Thread, L.H.	1
16	1724885	Drive Pin, 3/32 x 3/4	1
17	1110382	Flat Washer, 5/16	6
18	1724997	Housing	1
19	1725256	Decal	2
20	1110106	Lock Nut, 1/4-20	9
21	1186128	Carriage Bolt, 3/8-16 x 1	4
22	1720816	Bearing Flange	1
23	1720785	Fan	1
24	1104436	Woodruff Key, 3/16 x 3/4	1
25	1185348	Roll Pin, 1/4 x 1-1/4	2
26	1185803	Grease Fitting	4
27	1720867	Shear Bolt	4
28	1725112	Auger, Left Hand	1
29	1185816	Special Washer, 1-1/64 Diameter	6
30	1725137	Gear Box Assembly	1
31	1725113	Auger, Right Hand	1
32	1712059	Carriage Bolt, 5/16-18 x 1/2	5
33	1720885	Scraper Blade	1
34	1724868	Shoe	2
35	1110108	Lock Nut, 3/8-16	6
36	1111599	Hex Head Capscrew, 1/4-20 x 5/8	6

REF. NO.	PART NO.	DESCRIPTION	NO. REQ'D.
37	1100053	Hex Head Capscrew, 1/2-13 x 3/4	2
38	1100245	Lockwasher, 1/2	2
39	1100257	Flat Washer, 1/2	2
40	1185846	Flange Bushing	2
41	1720922	Bearing Support	2
42	1185798	Flange Whiz Lock Screw, 3/8-16 x 1/2	2
43	1725253	V-Belt, 34"	1
44	1725282	Auger Sheave	1
45	1720815	Flange Bearing	1
46	1185809	Ball Bearing	1
47	1185985	Keps Nut, No. 10-24	6
48	1103959	Flat Washer, No. 10	As Req'd.
49	1724869	Clip	3
50	1185130	Hex Head Sems Machine Screw, No. 10-24	6
51	1722501	Guard	1
52	1186048	Push Nut	2
53	1724867	Duct Assembly	1
54	1723746	Deflector Cap	1
55	1724816	Decal (Caution)	1
56	1723643	Adjusting Lever	1
57	1103212	Hex Head Capscrew, 3/8-16 x 5/8	2
OPTIONAL SLICER BAR			
58	1110107	Lock Nut, 5/16-18	2
59	1106874	Capscrew, 5/16-18 x 3/4	2
60	1715427	Drift Slicer	1
OPTIONAL ROLLER SET			
61	1708754	Spacer	2
62	1716972	Roller	2
63	1100243	Lockwasher, 3/8	2
64	1100256	Flat Washer, 3/8	6
65	1103840	Hex Nut, 3/8-16	2
66	1106919	Capscrew, 3/8-16 x 1	2



REF. NO.	PART NO.	DESCRIPTION	NO. REQ'D.
1	1185224	Oil Seal	1
2	1185374	Needle Bearing	1
3	1185841	Thrust Race	2
4	1185431	Thrust Bearing	1
5	1720932	Worm 2 Thd. L.H.	1
6	1185842	Washer	1
7	1118726	Retaining Ring, Internal	1
8	1185266	Oil Seal	2
9	1720910	Gear Case Cover	1
10	1720941	Cover Gasket	1
11	1721752	Gear Case Only	1
12	1106832	Capscrew, 1/4-20 x 5/8	4
13	1100241	Lockwasher, 1/4	4
14	1185728	Flange Bearing	2

REF. NO.	PART NO.	DESCRIPTION	NO. REQ'D.
15	1185815	Thrust Race	2
16	1720933	Worm Gear, 20T	1
17	1720763	Spacer	1
18	1100276	Woodruff Key, 1/4 x 7/8	1
19	1100283	Woodruff Key, 1/4 x 3/4	1
20	1105620	Square Head Plug, 1/4-18 NPT	1
21	1725134	Impeller Shaft	1
22	1720894	Auger Shaft	1
23	1185840	Thrust Race	1
24	1185843	Retaining Ring, External	1
25	1112634	Expansion Plug	1
26	1185568	Needle Bearing	1
27	1721442	Pressure Relief Valve	1

Figure 4 GEAR CASE ASSEMBLY