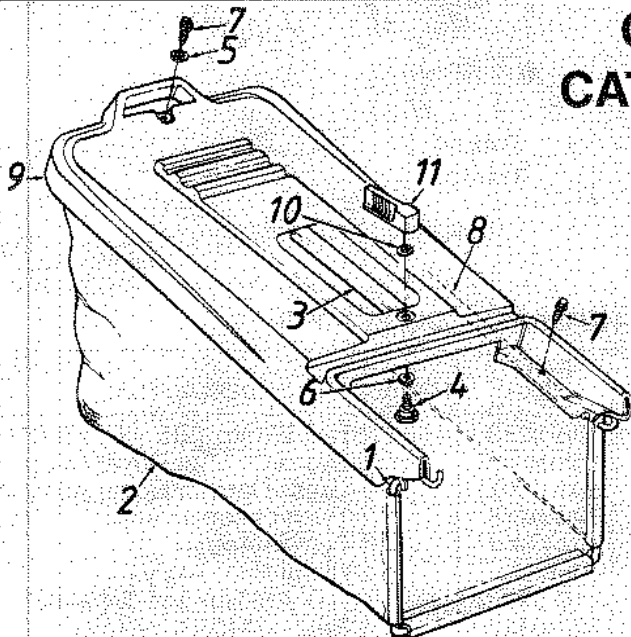


DISPLAY STAND

**Model Number
190-059-000**

PARTS LIST FOR MODEL 059 DISPLAY STAND

REF. NO.	PART NO.	DESCRIPTION	QTY.
1	749-0617	Vertical Post	4
2	749-0619	Cross Brace	15
3	710-0578	Truss Mach. Screw 1/4-20 x 1-1/2" Lg.	30
4	712-0287	Hex Nut 1/4-20 Thd.	30
5	726-0117	1" Tubing Plug (Installed)	(4)
6	726-0202	1" Swivel Guide (Installed)	(4)
7	736-0329	Lock Washer 1/4" I.D.	30

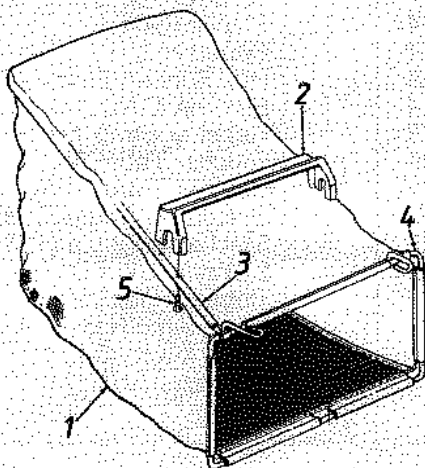


GRASS CATCHER

**Model Number
190-076-000**

PARTS LIST FOR MODEL 076 GRASS CATCHER

REF. NO.	PART NO.	DESCRIPTION
1	764-0411	Front Catcher Frame
2	764-0252	Grass Bag
3	731-0856A	Hardtop Handle
4	738-0137	Shoulder Bolt
5	736-0463	Fl-Wash. 281" I.D.
6	736-0286	Bowed Washer
7	710-0776A	Hex L-Wash. AB-Tap Scr. 1/4 x .62"
8	749-0736B	Rear Catcher Frame
9	731-0857A	Hardtop Bag Cover
10	736-0498	Internal L-Wash. 1/4" I.D.
11	720-0224	Locking Knob



GRASS CATCHER

**Model Number
190-078-000**

PARTS LIST FOR MODEL 078 GRASS CATCHER

REF. NO.	PART NO.	DESCRIPTION
1	764-0246	Grass Bag
2	731-0801	Bag Handle
3	749-0764A	Rear Catcher Frame
4	764-0412	Front Catcher Frame
5	710-1025	Hex AB-Tap Scr. #12 x 1.25" Lg.