

# Operator's Manual

## Soil Grade Roller

For FastAttach™ Compatible Garden Tractors

### Model

**OEM-190-007**

### For Use With

---

OEM-190-825 | 30-inch Hydraulic Tiller Attachment

MTD PRODUCTS INC. P.O. BOX 368022 CLEVELAND, OHIO 44136-9722

## SECTION 1: TO THE OWNER

The Model 007 Soil Grade Roller is designed for use on FastAttach™ compatible Garden Tractors only. It is an accessory for use with the tractor attachments listed below. It will NOT fit nor operate safely or properly on any other tractor or tractor attachment.

Model Number	Description
OEM-190-825	30-inch Hydraulic Tiller
190-825-101	30-inch Hydraulic Tiller

**NOTE:** References to LEFT and RIGHT indicate the left and right sides of the tractor when facing forward in the operator's position. Reference to the FRONT indicates the grille end; to the REAR the drawbar end.

## SECTION 2: CONTENTS OF CARTON

Carton contents are listed below with part numbers shown in parentheses. Assemblies are made up of more than one part. Before beginning installation, lay all contents out on a flat surface to assure everything is present.

- One Roller Assembly
- One Adjustment Bracket Assembly
- One Tine Shield (786-0274)
- One Hardware Pack Containing the Following:
  - One 6-½" Clevis Pin (711-1384)
  - One RH Torsion Spring (732-0988)
  - One LH Torsion Spring (732-0989)
  - Four Flat Washers (736-0257)
  - One Cotter Pin (714-0470)
  - Two Hex Bolts (710-3032)
  - Two Spacers (750-1069)
  - Two Belleville Washers (736-0253)
  - Two Hex Nuts (712-0206)
  - One 1-½" Clevis Pin (711-0231)
  - One Hairpin Clip (714-0149B)

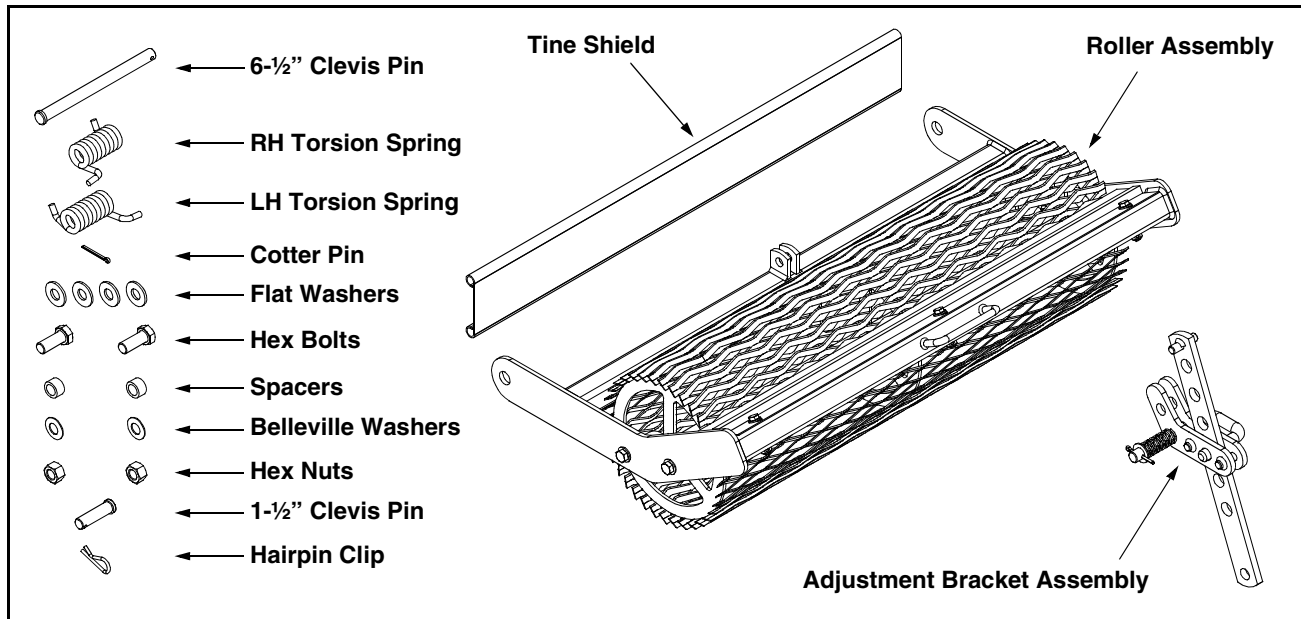


Figure 1

## SECTION 3: ASSEMBLY



**WARNING:** Before beginning assembly, place the tractor (with hydraulic tiller attachment OEM-190-825 mounted) on a firm and level surface. Place the tractor's PTO in the disengaged (OFF) position, stop the tractor engine and set the parking brake.

### Mounting The Tine Shield

Before the soil grade roller can be attached to the rear of the tiller attachment, the existing tine shield must first be removed. To do so, proceed as follows:

- Carefully unhook the support chain from the welded hook found to the rear of the hydraulic fluid fill spout. See Figure 2.
- Remove the hairpin clip from the left end of the tine shield pivot rod found on the left side of the tiller housing. See Figure 2. Save this hairpin clip.
- Slide the tine shield pivot rod out the right side of the tiller housing, freeing the tine shield from the tiller housing. Set this tine shield safely aside.
- Position the new tine shield (included in this kit) in place behind the tiller housing and insert the tine shield pivot rod through it in the same manner as it was inserted on the tine shield just removed.
- Secure with the hairpin clip removed earlier.

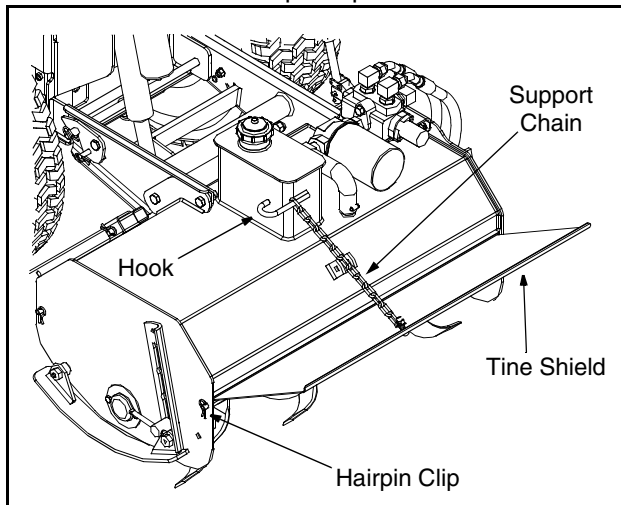


Figure 2

### Mounting the Roller Assembly

- Position the roller assembly on the ground behind the tiller attachment.
- Locate a hex screw, flat washer, spacer, belleville washer and hex nut from the hardware pack. Refer to Figure 2.
- Using this hardware, fasten the left side bracket of the roller assembly to the left side of the tiller housing as shown in Figure 3.
- Repeat the previous steps on the right side of the tiller housing.

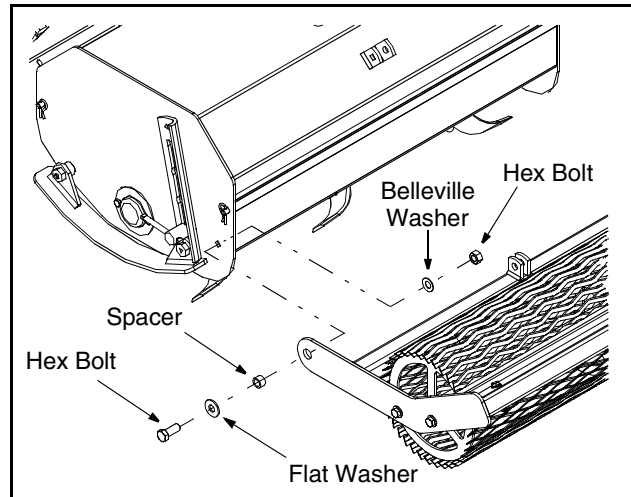


Figure 3

- Locate the cotter pin, two remaining flat washers, two torsion springs and 6-1/2" clevis pin from the hardware pack.
- Using this hardware, join the front portion of the adjustment bracket assembly, refer to Figure 1, to the rear of the tiller housing as illustrated in Figure 4.

**NOTE:** The LH torsion spring and the RH torsion spring are NOT interchangeable. Refer to Figure 1 to distinguish them. Be certain to position the springs as shown in Figure 4.

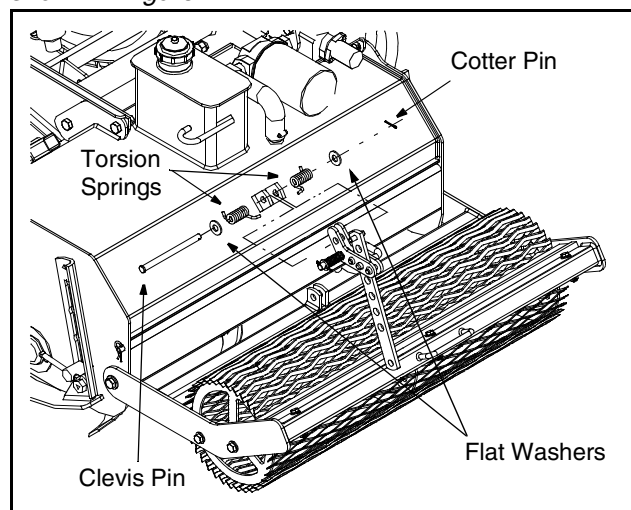


Figure 4

**NOTE:** It may be necessary to use a screwdriver as a stabilizing pry-bar if you discover the torsion springs are too difficult to position in place by hand

- After inserting the cotter pin into the clevis pin, bend the tips of the cotter pin outward to prevent the clevis pin from backing out.
- Pivot the roller assembly upward and reattach it to the lower portion of the lock pivot plate with the clevis pin and hairpin clip removed earlier. See Figure 5.

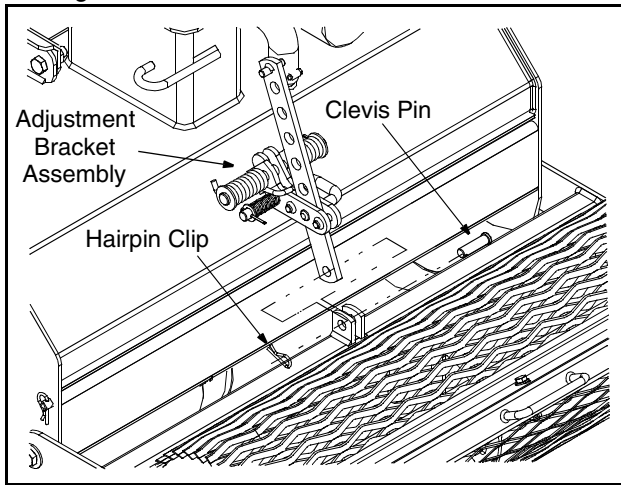


Figure 5

## Adjusting the Roller Assembly Height

For various applications, the height of the roller assembly may need to be adjusted. To pivot the roller upward or downward proceed as follows:

- Pull the locking rod found on the right side of the adjustment bracket assembly outward. See Figure 6.
- Grasp the handle on the rear of the roller frame and position the roller assembly upward or downward until the desired height is achieved.
- Release the locking rod into one of the six holes found in the lock pivot plate to secure the roller assembly in place.

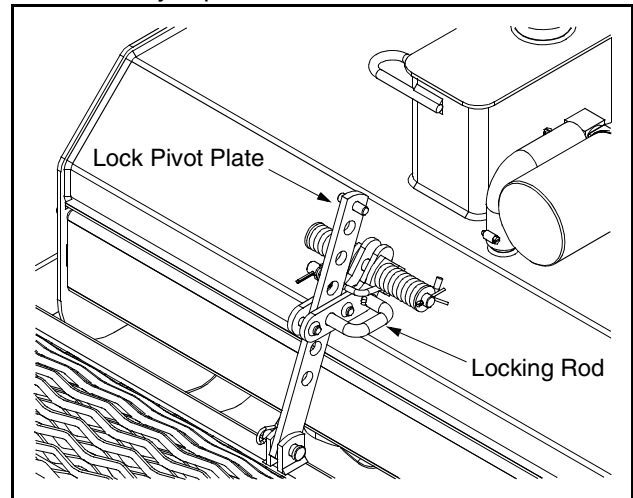


Figure 6

## SECTION 4: MAINTENANCE



**WARNING:** Before performing any maintenance, place the tractor on a firm and level surface. Place the PTO in the disengaged (OFF) position, stop the tractor engine and set the parking brake.



**WARNING:** Tiller tines are sharp. Wear heavy gloves and use extra caution when working near the tines.

### Cleaning

It is important to clean the soil grade roller after every use with a hose or pressure washer.

**IMPORTANT:** Do NOT apply direct water pressure on or near the tiller attachment's electric lift cylinder. Also, avoid direct water contact with the dipstick/reservoir cap on top of the tiller attachment's hydraulic reservoir.

After washing the soil grade roller, carefully spin the roller manually to help disperse any water that may have settled near the flange bearings.

**IMPORTANT:** Always dry the tiller attachment and electric sleeve hitch attachments well with either an air hose or towel after cleaning.

### Lubrication

Using a **lithium** based lubricant such as white lithium spray (do NOT use *WD-40*), coat all the points where the soil grade roller pivots when raising and lowering. Lubricating should be done after every use following cleaning to prevent corrosion and maintain free movement.

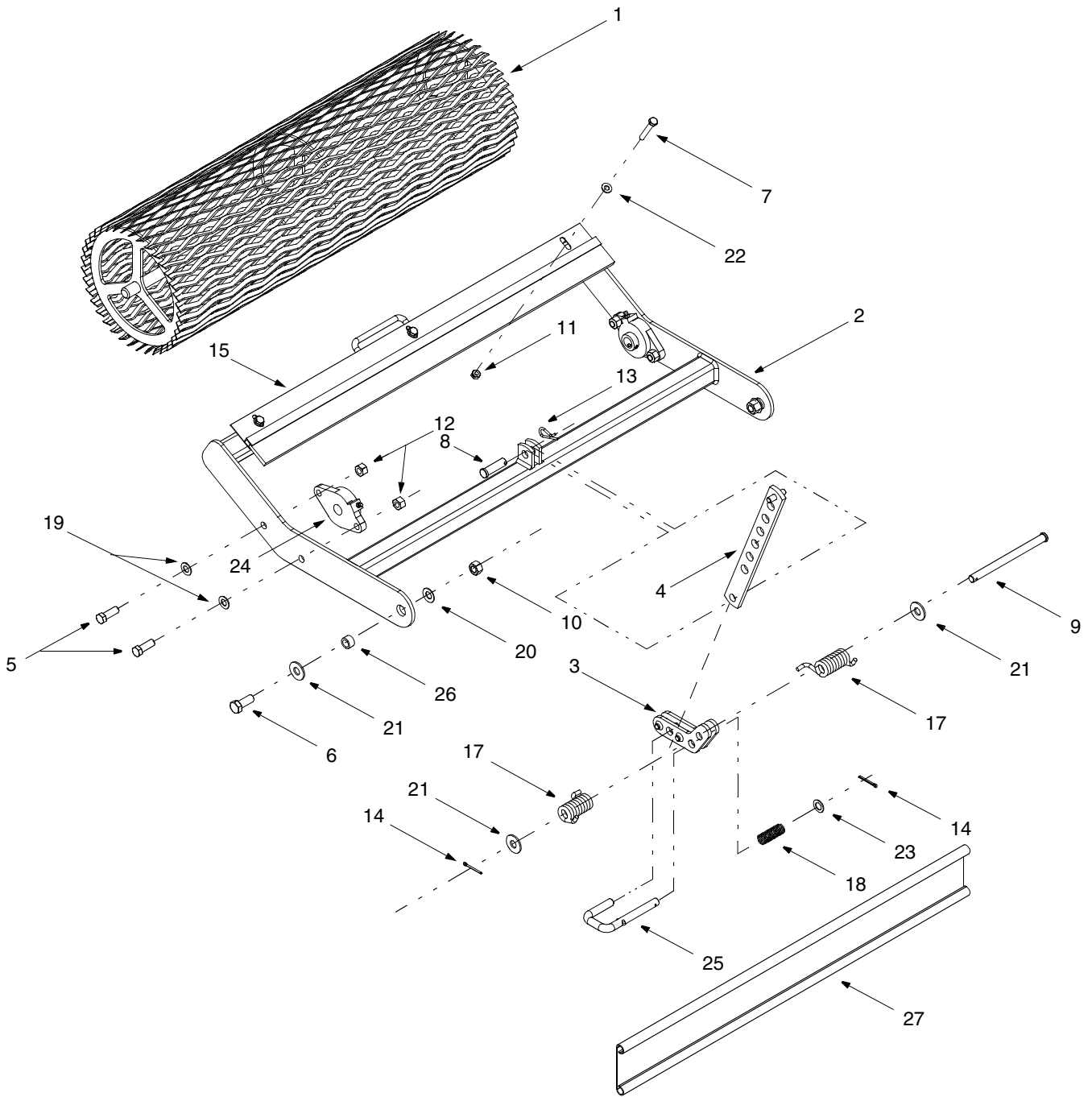
Pivot points include:

- The area around both the locking rod and torsion springs on the adjustment bracket.
- The entire upper pivot area and lower pivot area of the adjustment bracket.
- The area on the on both the left side and right side of the tiller attachment where the soil grade roller is fastened to the tiller housing.

A grease fitting can be found on the flange bearings at both ends of the soil grade roller. Lubricate both fittings with a grease gun after every **10 hours** of use.

# Notes

# Model 007



## Soil Grade Roller Assembly

Ref. No.	Part No.	Description
1.	686-0145	30-inch Roller Assembly
2.	686-0146	Roller Frame Assembly
3.	686-0149	Roller Bracket Assembly
4.	686-0153	Lock Pivot Plate Assembly
5.	710-3029	Hex Cap Screw, 7/16-20 x 1.25
6.	710-3032	Hex Cap Screw, 1/2-13 x 1.25
7.	710-3103	Hex Cap Screw, 5/16-18 x 2.0
8.	711-0231	Clevis Pin, .50 x 1.59
9.	711-1384	Clevis Pin, .50 x 6.5
10.	712-0206	Hex Nut, 1/2-13
11.	712-3009	Hex Lock Nut, 5/16-18
12.	712-3067	Hex Lock Nut, 7/16-20
13.	714-0149B	Internal Cotter Pin
14.	714-0470	Cotter Pin, 1/8 x 1.25
15.	727-0522	30-inch Roller Brush
16.	732-0988	RH Torsion Spring
17.	732-0989	LH Torsion Spring
18.	732-3091	Compression Spring, .57 x 2.09
19.	736-0226	Flat Washer, .474 x .879 x .064
20.	736-0253	Belleville Washer
21.	736-0275	Flat Washer, .344 x .688 x .065
22.	736-0257	Flat Washer, .536 x 1.262 x .101
23.	736-3068	Flat Washer, .50 x .875 x .060
24.	741-1103	Flange Bearing, .75
25.	747-1207	Roller Locking Rod
26.	750-1069	Spacer, .51 x .75 x .44
27.	786-0274	Tine Shield

# MANUFACTURER'S LIMITED WARRANTY

The limited warranty set forth below is given by MTD PRODUCTS INC ("MTD") with respect to new merchandise purchased and used in the United States, its possessions and territories.

MTD warrants this product against defects in material and workmanship for a period of two (2) years commencing on the date of original purchase and will, at its option, repair or replace, free of charge, any part found to be defective in material or workmanship. This limited warranty shall only apply if this product has been operated and maintained in accordance with the Operator's Manual furnished with the product, and has not been subject to misuse, abuse, commercial use, neglect, accident, improper maintenance, alteration, vandalism, theft, fire, water or damage because of other peril or natural disaster. Damage resulting from the installation or use of any accessory or attachment not approved by MTD Products Inc. for use with the product(s) covered by this manual will void your warranty as to any resulting damages.

Normal wear parts or components thereof are subject to separate terms as follows: All normal wear part or component failures will be covered on the product for a period of 90 days regardless of cause. After 90 days, but within the two year period, normal wear part failures will be covered ONLY IF caused by defects in material or workmanship of OTHER component parts. Normal wear parts and components include, but are not limited to, belts, blades, blade adapters, grass bags, rider deck wheels, seats, snow thrower skid shoes, shave plates and tires. Batteries are covered by a 90-day limited replacement warranty.

**HOW TO OBTAIN SERVICE:** Warranty service is available, WITH PROOF OF PURCHASE THROUGH YOUR LOCAL AUTHORIZED SERVICE DEALER. To locate the dealer in your area, please check for a listing in the Yellow Pages or contact the Customer Service Department of MTD PRODUCTS INC by calling 1-800-800-7310 or writing to P.O. Box 368022, Cleveland, Ohio 44136-9722.

**This limited warranty does not provide coverage in the following cases:**

- a. The engine or component parts thereof. These items carry a separate manufacturer's warranty. Please refer to the applicable manufacturer's warranty on these items.
- b. Log splitter pumps, valves and cylinders have a separate one year warranty.

- c. Routine maintenance items such as lubricants, filters, blade sharpening and tune-ups, or adjustments such as brake adjustments, clutch adjustments or deck adjustments; and normal deterioration of the exterior finish due to use or exposure.
- d. MTD does not extend any warranty for products sold or exported outside of the United States of America, its possessions and territories, except those sold through MTD's authorized channels of export distribution.

**No implied warranty, including any implied warranty of merchantability or fitness for a particular purpose, applies after the applicable period of express written warranty above as to the parts as identified. No other express warranty or guaranty, whether written or oral, except as mentioned above, given by any person or entity, including a dealer or retailer, with respect to any product shall bind MTD. During the period of the Warranty, the exclusive remedy is repair or replacement of the product as set forth above.** (Some states do not allow limitations on how long an implied warranty lasts, so the above limitation may not apply to you.)

**The provisions as set forth in this Warranty provide the sole and exclusive remedy arising from the sales. MTD shall not be liable for incidental or consequential loss or damages including, without limitation, expenses incurred for substitute or replacement lawn care services, for transportation or for related expenses, or for rental expenses to temporarily replace a warranted product.** (Some states do not allow the exclusion or limitation of incidental or consequential damages, so the above exclusion or limitation may not apply to you.)

In no event shall recovery of any kind be greater than the amount of the purchase price of the product sold. Alteration of the safety features of the product shall void this Warranty. You assume the risk and liability for loss, damage, or injury to you and your property and/or to others and their property arising out of the use or misuse or inability to use the product.

This limited warranty shall not extend to anyone other than the original purchaser, original lessee or the person for whom it was purchased as a gift.

**How State Law Relates to this Warranty:** This limited warranty gives you specific legal rights, and you may also have other rights which vary from state to state.