

**BOLENS®**

---

**MODELS 728-01 & -02  
RIDING MOWER**

OPTIONAL  
6841-01 ELECTRIC STARTER KIT  
6846-01 MUFFLER KIT

**ILLUSTRATED  
PARTS  
CATALOG**

PORT WASHINGTON, WISCONSIN, U.S.A.

Printed at Bolens

FORM #P-552583 12/72  
Supersedes Form #P-552492 4/72

# MODELS 728-01 & -02 RIDING MOWERS

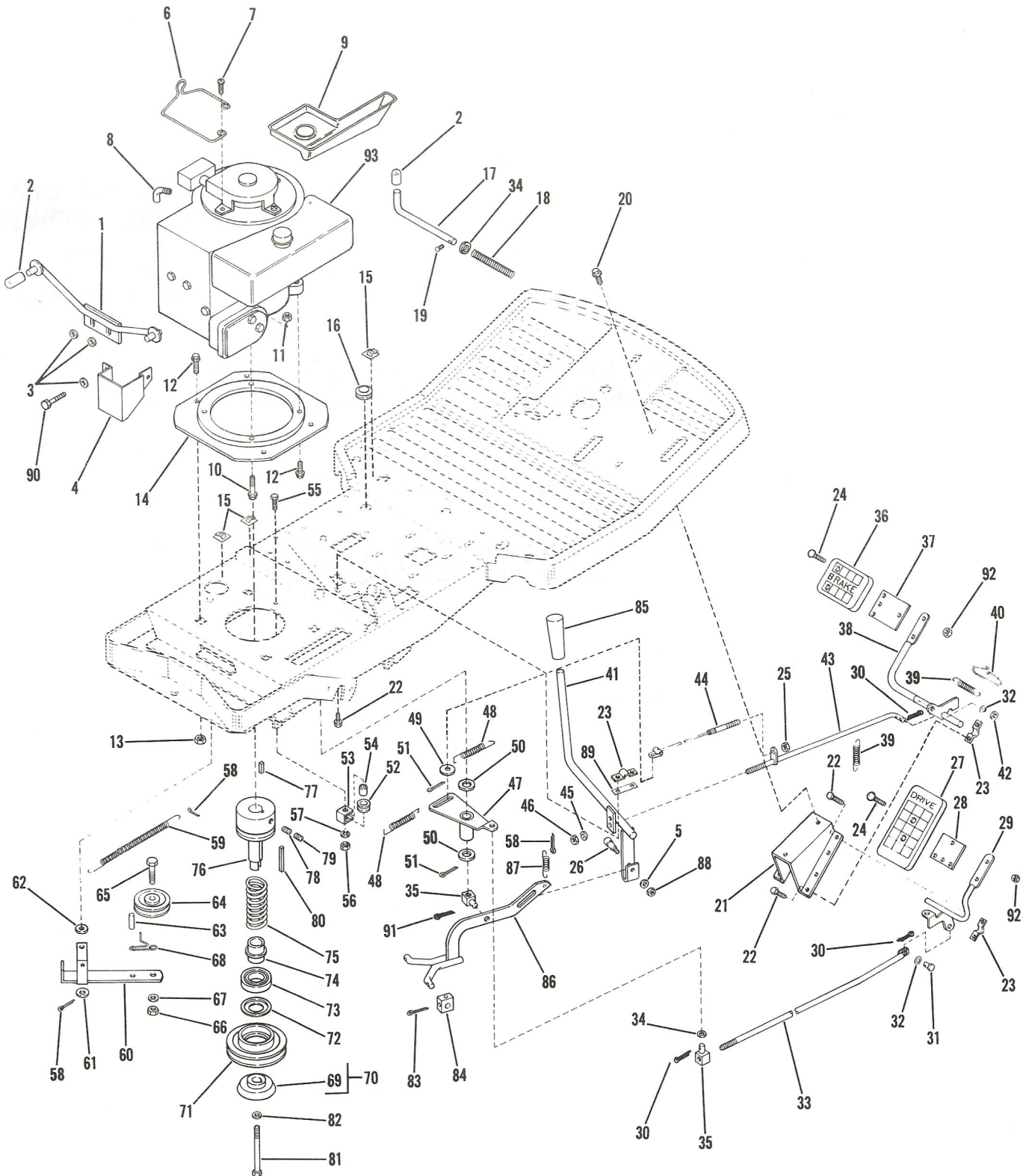


FIGURE 1

# MODELS 728-01 & -02 RIDING MOWERS

## PARTS LIST FOR FIGURE 1

Ref. No.	Part No.	Description	No. Req'd
1	1724 124	Support Rod	1
2	1724 230	Grip	3
3	1803 327	Washer	3
4	1724 135	Muffler Shield	1
5	1891 733	Washer	1
6	1724 134	Recoil Starter Guide	1
7	1724 129	Sems Screw 1/4-28 x 5/8	2
8	1105 019	Elbow 90° - 1/4 NPT	1
9	1724 131	Deflector	1
10	1186 352	Flange Screw 5/16-10 x 1-1/2	2
11	1186 391	Flange Nut 5/16-18	2
12	1186 329	Screw Flange 5/16-18 x 3/4	10
13	1724 127	Retainer Nut 5/16-18	4
14	1724 133	Adapter	1
15	1724 879	Clip	5
16	1724 882	Grommet	1
17	1724 305	Brake Lock Rod	1
18	1706 930	Compression Spring	1
19	1724 751	Drive Screw #8 x 3/8	1
20	1186 327	Flange Screw 5/16-18 x 1/2	2
21	1724 295	Support	1
22	1724 845	Flange Screw 1/4-20 x 1/2	12
23	1724 190	Clamp	6
24	1100 167	Carriage Bolt	4
25	1110 106	Lock Nut 1/4-20	1
26	1724 209	Shoulder Screw	1
27	1724 310	Drive and Clutch Pedal	1
28	1724 798	Spacer	1
29	1724 300	Drive and Clutch Lever	1
30	1100 356	Cotter Pin	3
31	1724 313	Clevis Pin	1
32	1724 892	Bowed Washer 3/8	2
33	1724 291	Clutch Rod	1
34	1707 397	Special Washer	2
35	1724 188	Stud	2
36	1724 309	Brake Pedal	1
37	1724 418	Spacer	1
38	1724 298	Brake Lever	1
39	1724 191	Extension Spring	2
40	1724 961	Link	1
41	1724 187	PTO Lever	1
42	1107 383	Flat Washer 3/8	1
43	1724 311	Brake Rod	1
44	1724 304	Wire Rope	1
45	1724 301	Pivot	1
46	1185 345	Lock Nut 3/8-16	1
47	1724 287	Cam	1

Ref. No.	Part No.	Description	No. Req'd
48	1724 307	Ext. Spring	2
49	1720 883	Washer (Spec)	1
50	1107 387	Flat Washer 3/4	2
51	1100 351	Cotter Pin 1/8 x 1-1/4	2
52	1715 978	Cable Pulley	1
53	1724 303	Cable Guide	1
54	1185 527	Bearing	1
55	1100 069	Capscrew 1/4-20 x 1	1
56	1186 229	Hex Nut 1/4-20	1
57	1100 241	Lockwasher 1/4	1
58	1100 350	Cotter Pin 1/8 x 1	3
59	1714 279	Ext. Spring	1
60	1724 284	Idler Arm	1
61	1107 385	Flat Washer 1/2	1
62	1100 257	Flat Washer 1/2	1
63	1891 696	Drive Pin 5/16 x 1-1/2	1
64	1710 567	Idler Pulley	1
65	1724 308	Capscrew (Special)	1
66	1186 231	Hex Nut 3/8-16	1
67	1100 243	Lockwasher 3/8	1
68	1724 883	Belt Guide	1
69	1724 179	Clutch Facing	1
70	1724 180	Clutch Assy (Inc. Ref 69)	1
71	1724 199	Sheave	1
72	1724 196	Slinger	1
73	1724 194	Ball Bearing	1
74	1724 195	Retainer	1
75	1724 189	Comp. Spring	1
76	1724 269	Pulley and Shaft	1
77	1104 336	Square Key 1/4 x 1	1
78	1185 596	Set Screw 5/16-18 x 5/16	1
79	1185 597	Set Screw 5/16-18 x 5/32	1
80	1724 193	Key 3/16 x 1/4 x 2-1/4	1
81	1100 013	Capscrew 3/8-24 x 4-1/2	1
82	1724 034	Lockwasher 3/8 Pyramidal	1
83	1100 352	Cotter Pin 1/8 x 1-1/2	2
84	1724 192	Brake Block	2
85	1724 241	PTO Handle	1
86	1724 183	Lever	1
87	1892 471	Ext. Spring	1
88	1110 107	Lock Nut 5/16-18	1
89	1724 208	Strip	2
90	1111 609	Screw Hex Hd Cap 5/16-18 x 2-3/4 H. T.	3
91	1100 346	Cotter Pin 3/32 x 3/4	1
92	1185 912	Nut - Keps 1/4-20	4
93		*Tecumseh Engine V70-125172	1

\* Purchase from your Tecumseh, Lauson-Power Products parts outlet.

# MODELS 728-01 & -02 RIDING MOWERS

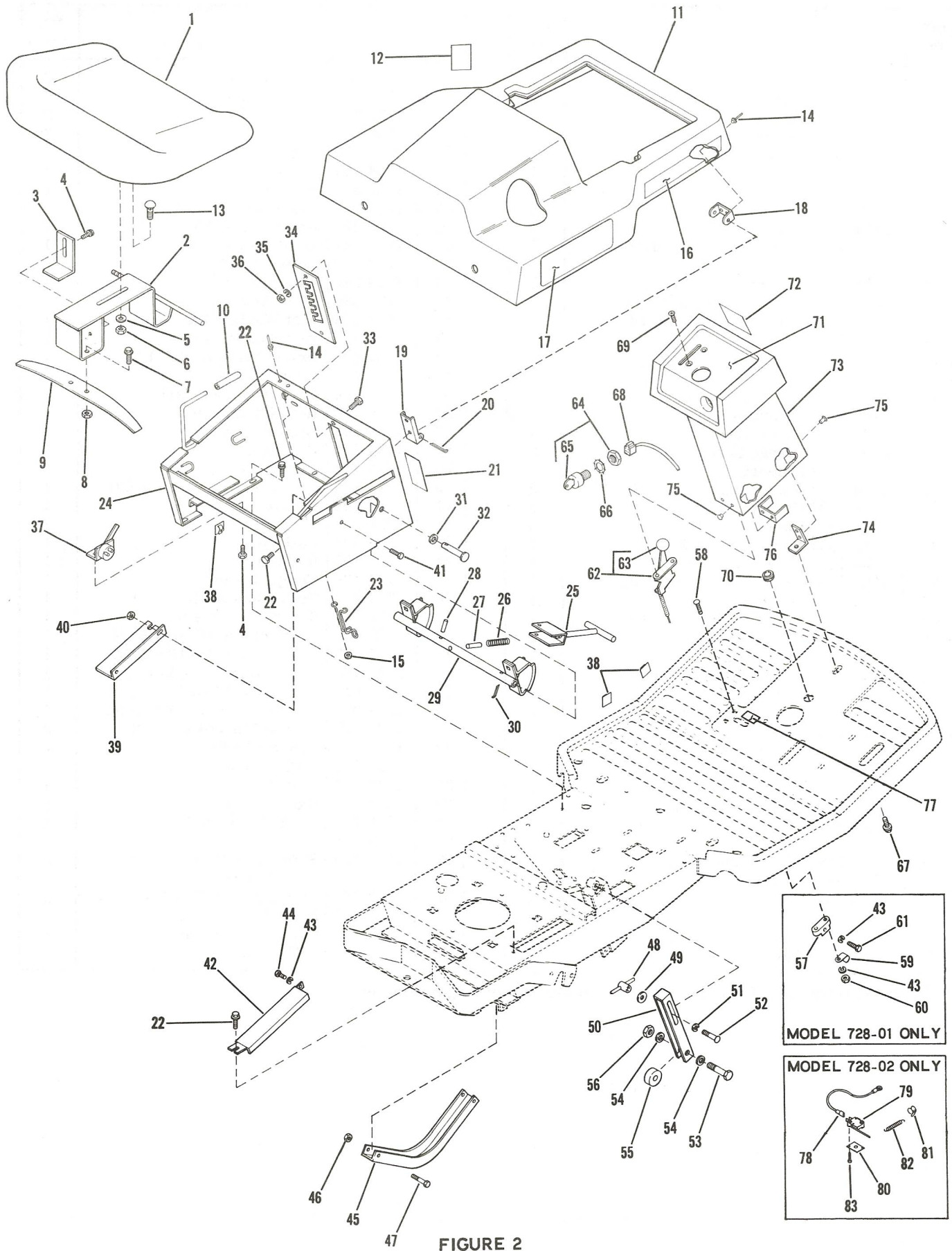


FIGURE 2

# MODELS 728-01 & -02 RIDING MOWERS

## PARTS LIST FOR FIGURE 2

Ref. No.	Part No.	Description	No. Req'd
1	1724 225	Seat	1
2	1724 224	Seat Support	1
3	1724 226	Switch Arm	1
4	1185 136	Sems Screw #10-32 x 3/8	4
5	1107 385	Flat Washer 1/2	1
6	1110 110	Lock Nut 1/2-13	1
7	1186 345	Flange Screw 3/8-16 x 3/4	2
8	1100 108	Lock Nut 3/8-16	2
9	1724 227	Leaf Spring	1
10	1724 229	Grip	2
11	1724 240	Rear Cover	1
12	1724 238	Decal (Mower Blade)	1
13	1186 182	Carriage Bolt 1/2-13 x 1-1/4	1
14	1801 200	Pop Rivet 5/32 x 3/8	6
15	1805 365	Washer	2
16	1724 235	Decal (Shift)	1
17	1723 536	Decal (Bolens)	2
18	1724 246	Cover Pivot	2
19	1724 245	Cover Support	2
20	1104 223	Cotter Pin 3/16 x 1-3/4	2
21	1725 926	Decal (Mower Lift)	1
22	1724 845	Flange Screw 1/4-20 x 1/2	11
23	1724 213	Wire Clamp	1
24	1724 218	Panel	1
25	1724 144	Lift Pivot	1
26	1724 145	Compression Spring	1
27	1185 469	Drive Pin 1/4 x 1	1
28	1185 348	Drive Pin 1/4 x 1-1/4	1
29	1724 139	Mower Lift Tube	1
30	1100 351	Cotter Pin 1/8 x 1-1/4	2
31	1890 234	Flat Washer 1/2	2
32	1708 336	Clevis Pin	2
33	1100 044	Capscrew 5/16-18 x 3/4	2
34	1724 147	Quadrant	1
35	1100 242	Lockwasher 5/16	2
36	1186 230	Hex Nut 5/16-18	2
37	1723 416	Stop Switch	1
38	1724 879	Clip	4
39	1724 263	Chain Guard	1
40	1185 912	Lock Nut 1/4-20	2
41	1100 804	Capscrew 1/4-20 x 1/2	2
42	1724 264	Chain Guard (Upper)	1
43	1100 241	Lockwasher 1/4	4
44	1111 598	Capscrew 1/4-20 x 3/8	1
45	1724 265	Chain Guard (Lower)	1

Ref. No.	Part No.	Description	No. Req'd
46	1110 106	Lock Nut 1/4-20	2
47	1100 807	Capscrew 1/4-20 x 2	2
48	1714 373	Wing Nut	1
49	1185 839	Shakeproof Washer	1
50	1724 262	Roller Support	1
51	1177 548	Lockwasher 5/16	1
52	1186 074	Carriage Bolt 1/4-20 x 1-1/2	1
53	1100 067	Capscrew 1/2-13 x 2	1
54	1704 078	Spacer	2
55	1724 258	Roller	1
56	1186 261	Jam Nut 1/2-13	1
57	1724 130	Insulator (728-01)	1
58	1102 761	Carriage Bolt 1/4-20 x 1 (728-01)	2
59	1721 252	Clip (728-01)	1
60	1121 507	Hex Nut 1/4-20 (728-01)	2
61	1724 126	Self Tap Screw 1/4-14 x 3/4 (728-01)	1
62	1724 254	Throttle Control (Inc. Ref 63)	1
63	1724 242	Knob Only	1
64	1805 569	Ignition Switch (Inc. Ref 65)	1
65	1805 283	Key Only	1
66	1103 999	Star Washer 3/4	1
67	1186 327	Flange Screw 5/16-18 x 1/2	1
68	1724 136	Wiring Harness (728-01)	1
	1725 548	Wiring Harness (728-02)	1
69	1724 255	Phil Hd. Screw 1/4-20 x 1/2	2
70	1724 882	Grommet	1
71	1724 233	Decal (Operating Inst.)	1
72	1723 511	Decal (Bolens)	1
73	1724 239	Front Console (728-01)	1
	1726 332	Front Console (728-02)	2
74	1724 220	Angle Bracket	1
75	1185 879	Pop Rivet 3/16 x 1/2	4
76	1724 228	Console Support	1
77	1724 234	Decal (Brake Lock)	1
78	1725 549	Lead Assy (728-02)	1
79	1725 550	Switch (728-02)	1
80	1725 551	Switch Plate (728-02)	1
81	1725 536	Clamp (728-02)	1
82	1725 826	Ext. Spring (728-02)	1
83	1725 552	Screw 4-40 x 3/4 (728-02)	2

# MODELS 728-01 & -02 RIDING MOWERS

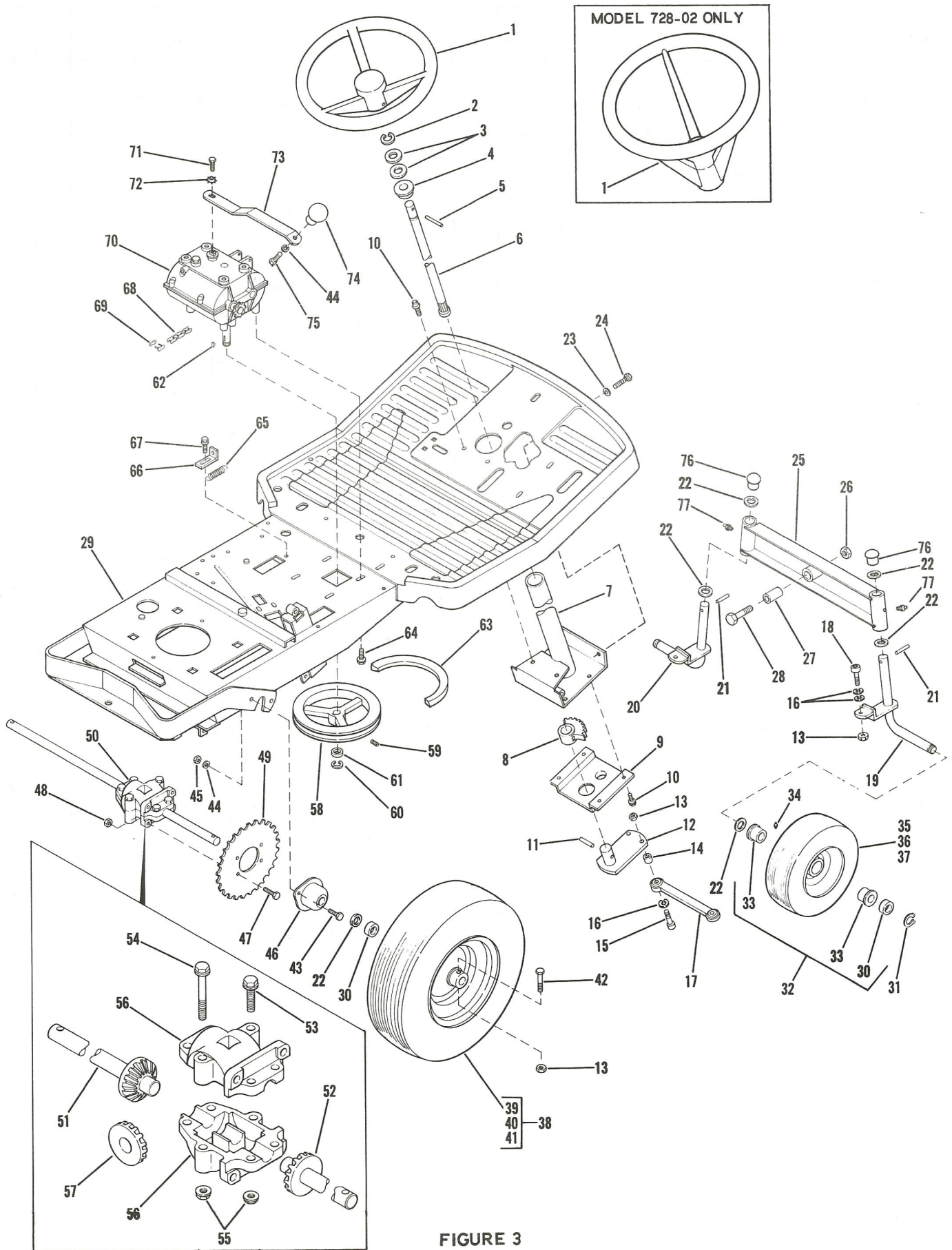


FIGURE 3

# MODELS 728-01 & -02 RIDING MOWERS

## PARTS LIST FOR FIGURE 3

Ref. No.	Part No.	Description	No. Req'd
1	1723 089	Steering Wheel (728-01)	1
	1725 547	Steering Wheel (728-02)	1
2	1185 649	Retaining Ring	1
3	1708 012	Thrust Washer	2
4	1723 994	Steering Bearing	1
5	1185 279	Roll Pin 1/4 x 2-1/4	1
6	1723 990	Steering Shaft (728-01)	1
	1725 531	Steering Shaft (728-02)	1
7	1723 987	Steering Column (728-01)	1
	1725 529	Steering Column (728-02)	1
8	1723 991	Steering Gear	1
9	1723 992	Gear Retainer	1
10	1186 327	Flange Screw 5/16-18 x 1/2	6
11	1182 512	Roll Pin 3/8 x 1-1/2	1
12	1723 983	Steering Arm	1
13	1110 107	Lock Nut 5/16-18	6
14	1717 176	Spacer	2
15	1112 293	Capscrew 5/16-18 x 1-1/2	2
16	1185 140	Lockwasher (Special)	6
17	1723 993	Tie Rod	2
18	1185 918	Soc. Hd. Screw 5/16-18 x 1	2
19	1723 979	Spindle R. H.	1
20	1723 980	Spindle L. H.	1
21	1185 348	Roll Pin 1/4 x 1-1/4	2
22	1708 550	Flat Washer	8
23	1107 382	Flat Washer 5/16	2
24	1111 608	Capscrew 5/16-18 x 2-1/2	2
25	1723 924	Front Axle	1
26	1110 110	Lock Nut 1/2-13	1
27	1723 925	Pivot Spacer	1
28	1100 075	Capscrew 1/2-13 x 2-1/4	1
29	1723 945	Main Frame	1
30	1723 996	Spacer	4
31	1185 649	Retaining Ring	2
32	1723 997	Front Wheel and Tire Assy 4. 10/3. 50 x 4 (Inc. Ref 33 thru 37)	2
33	1724 161	Flange Bearing	4
34	1724 160	Grease Fitting	2
35	1724 159	Wheel Only	2
36	1724 157	Tire 4. 10/3. 50 x 4 - 2 Ply	2
37	1724 156	Inner Tube	2
38	1723 998	Rear Wheel and Tire Assy 4. 80/4. 00 x 8 (Inc. Ref 39 thru 41)	2

Ref. No.	Part No.	Description	No. Req'd
39	1724 154	Wheel Only	2
40	1724 152	Tire 4. 80/4. 00 x 8 - 2 Ply	2
41	1724 151	Inner Tube	2
42	1723 995	Capscrew 5/16-18 x 2 (Spl)	2
43	1106 919	Capscrew 3/8-16 x 1	4
44	1100 243	Lockwasher 3/8	5
45	1121 509	Hex Nut 3/8-16	4
46	1715 941	Pillow Block Bearing	2
47	1186 331	Flange Screw 5/16-18 x 1	4
48	1186 391	Flange Nut 5/16-18	4
49	1724 266	Sprocket 48T	1
50	1724 271	Differential Assy (Inc. Ref 51 thru 57)	1
51	1724 332	Gear and Axle L. H.	1
52	1724 336	Gear and Axle R. H.	1
53	1724 333	Bolt (Special)	4
54	1724 335	Bolt (Special)	2
55	1724 337	Flange Nut (Special)	6
56	1724 334	Differential Housing	2
57	1724 338	Miter Gear	2
58	1724 270	Sheave	1
59	1185 596	Set Screw 5/16-18 x 5/16	2
60	1118 808	Retaining Ring	1
61	1712 566	Slinger	2
62	1104 436	Woodruff Key 3/16 x 3/4	1
63	1724 261	V-Belt	1
64	1186 329	Flange Screw 5/16-18 x 3/4	4
65	1724 191	Extension Spring (728-01)	1
	1713 099	Extension Spring (728-02)	1
66	1724 321	Spring Bracket	1
67	1724 845	Flange Screw 1/4-20 x 1/2	1
68	1724 259	Drive Chain	1
69	1185 013	Connector Link	1
70		Transmission Assy (See Fig. #6)	1
71	1100 004	Capscrew 5/16-24 x 3/4	1
72	1185 714	Lockwasher 5/16 Pyram.	1
73	1724 314	Shift Lever (728-01)	1
	1725 800	Shift Lever (728-02)	1
74	1724 231	Shift Knob	1
75	1106 915	Capscrew 3/8-16 x 3/4 (728-01)	1
76	1726 353	Axle Limiter (728-02)	2
77	1185 803	Grease Fitting (728-02)	2

# MODELS 728-01 & -02 RIDING MOWERS

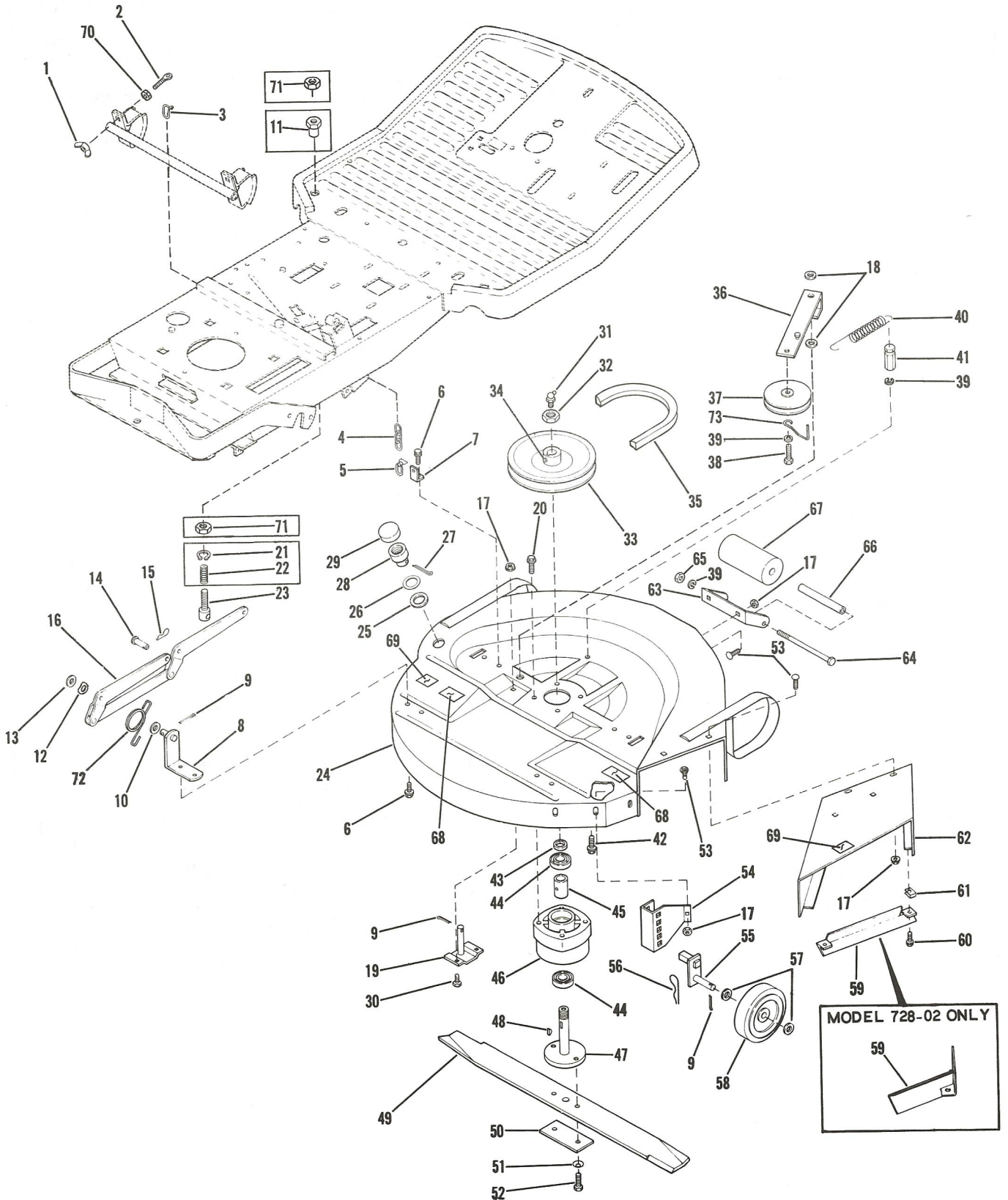


FIGURE 4



# MODELS 728-01 & -02 RIDING MOWERS

## PARTS LIST FOR FIGURE 4

Ref. No.	Part No.	Description	No. Req'd
1	1806 192	Wing Nut 5/16-18	2
2	1724 117	Spade Bolt	2
3	1717 920	Cold Shuts	2
4	1724 037	Lift Chain	2
5	1719 672	Klik Pin	2
6	1185 798	Flange Screw 3/8-16 x 1/2	8
7	1724 046	Lift Bracket	2
8	1724 007	Bracket	4
9	1100 349	Cotter Pin 1/8 x 3/4	7
10	1715 387	Spacer	4
11	1724 044	Bushing (728-01)	2
12	1706 872	Wave Washer 1/2	4
13	1890 234	Flat Washer 1/2	4
14	1724 049	Clevis Pin	4
15	1703 011	Spring Cotter	4
16	1724 019	Mower Life Assy (Only Sold Assembled)	2
17	1186 391	Flange Nut 5/16-18	12
18	1702 646	Flat Washer 1/2	2
19	1724 010	Idler Pin	1
20	1724 491	Self Tap Flange Screw 5/16-18 x 3/4	4
21	1113 527	Retaining Ring (728-01)	2
22	1724 052	Compression Spring (728-01)	2
23	1724 043	Stud (728-01)	2
	1725 611	Stud (728-02)	2
24	1724 025	Mower Base	1
25	1703 073	Thrust Washer	1
26	1719 469	Wave Washer	1
27	1100 352	Cotter Pin 1/8 x 1-1/2	1
28	1719 461	Washout Flange	1
29	1719 467	Protector Cap	1
30	1186 098	Carriage Bolt 5/16-18 x 3/4	2
31	1100 758	Grease Fitting	1
32	1724 032	Hex Nut 3/4-16	1
33	1724 047	Sheave (Inc. Ref 34) (728-01)	1
	1726 042	Sheave (Inc. Ref 34) (728-02)	1
34	1182 554	Set Screw 5/16-18	1
35	1724 035	V-Belt	1
36	1724 012	Idler Arm (728-01)	1
	1724 649	Idler Arm (728-02)	1
37	1722 713	Idler Pulley (728-01)	1
	1725 625	Idler Pulley (728-02)	1

Ref. No.	Part No.	Description	No. Req'd
38	1100 043	Capscrew 3/8-16 x 1-1/2	1
39	1100 243	Lockwasher 3/8	3
40	1724 817	Extension Spring	1
41	1724 040	Stud (728-01)	1
	1725 610	Stud (728-02)	1
42	1724 038	Flange Screw 3/8-16 x 3/4 (728-01)	1
43	1724 048	Spacer (728-01)	1
44	1185 828	Ball Bearing	2
45	1724 033	Spacer	1
46	1724 029	Spindle Housing	1
47	1725 493	Spindle Shaft	1
48	1726 179	Woodruff Key 3/16 x 3/4	1
49	1724 030	Cutter Blade	1
50	1724 051	Plate	1
51	1724 034	Lockwasher 3/8 (Pyram.)	2
52	1100 009	Capscrew 3/8-24 x 1	2
53	1186 098	Carriage Bolt 5/16-18 x 5/8	10
54	1724 026	Axle Support	2
55	1724 004	Axle	2
56	1724 039	Hitch Pin	2
57	1107 385	Flat Washer 1/2	4
58	1724 097	Wheel	2
59	1724 363	Deflector (728-01)	1
	1726 154	Deflector (728-02)	1
60	1185 797	Flanged Screw 5/16-18 x 1/2 (728-01)	2
61	1185 498	Tinnerman Nut 5/16-18 (728-01)	2
62	1724 099	Chute	1
63	1724 031	Roller Support	1
64	1106 958	Capscrew 3/8-16 x 6	1
65	1186 231	Hex Nut 3/8-16	1
66	1720 578	Spacer	1
67	1720 577	Roller	1
68	1724 848	Decal (Caution)	2
69	1725 308	Decal (No Step)	2
70	1186 230	Hex Nut 5/16-18	2
71	1725 612	Hex Nut 3/4-16 (728-02)	4
72	1726 221	Torsion Spring R. H. (728-02)	2
	1726 222	Torsion Spring L. H. (728-02)	2
73	1725 555	Bolt Guide (728-02)	1

# MODELS 728-01 & -02 RIDING MOWERS

## OPTIONAL MODEL 6841-01 STARTER KIT

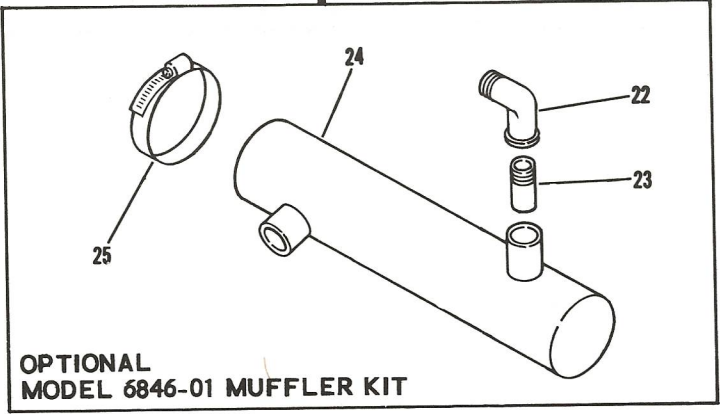
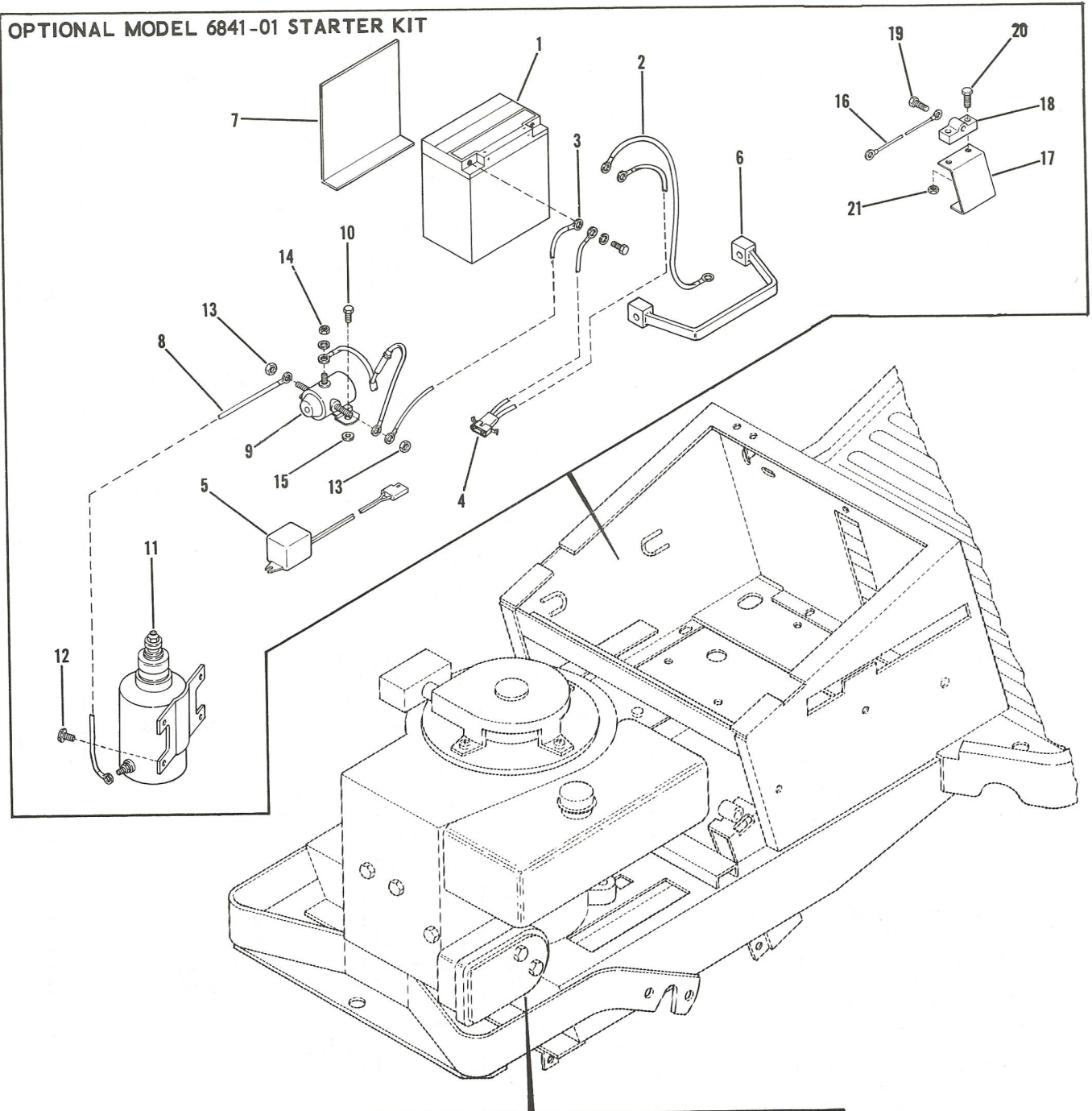


FIGURE 5

## MODELS 728-01 & -02 RIDING MOWERS

### PARTS LIST FOR FIGURE 5

Ref. No.	Part No.	Description	No. Req'd
<b>MODEL 6841-01 ELECTRIC STARTER KIT</b>			
1	1724 164	Battery 12-V	1
2	1724 168	Battery Lead (Ground)	1
3	1724 169	Battery Lead (Solenoid)	1
4	1724 641	Charger Lead and Plug	1
5	1724 163	Battery Charger	1
6	1724 167	Strap	1
7	1724 343	Battery Pad	1
8	1724 171	Lead (Solenoid to Starter)	1
9	1717 048	Solenoid	1
10	1725 320	Screw - Nylon Hex Hd 1/4-20 x 3/4	2
*11	1724 165	Starter Motor	1
12	1724 166	Screw and Washer 1/4-20 x 1/2	4
13	1182 563	Hex Nut 5/16-18	2

Ref. No.	Part No.	Description	No. Req'd
14	1109 845	Hex Nut 10-32	1
15	1890 947	Washer	2
16	1725 319	Lead Wire (728-01)	1
17	1725 321	Support Bracket (728-01)	1
18	1724 130	Insulator (728-01)	1
19	1724 126	Self Tapping Screw 1/4-14 x 3/4 (728-01)	1
20	1106 834	Capscrew 1/4-20 x 3/4 (728-01)	2
21	1185 912	Lock Nut 1/4-20 (728-01)	2
<b>MODEL 6846-01 MUFFLER KIT</b>			
22	1105 056	Elbow 90° -3/4	1
23	1724 324	Pipe Nipple	1
24	1724 326	Muffler	1
25	1724 325	Muffler Clamp	1

\* Repair Parts Must Be Obtained From Lauson-Tecumseh Parts Pool. (Lauson Starter #1A173-30)

## PEERLESS TRANSMISSION MODEL 503

### PARTS LIST FOR FIGURE 6

Ref. No.	Tecumseh Part No.	Description
1	770061	Case, Transmission
2	772070	Cover, Transmission
3	776144	Shaft, Output and Brake
4	778105	Gear, Spur (20 teeth)
5	778106	Gear, Spur (25 teeth)
6	778107	Gear, Spur (30 teeth)
8	792071	Key
9	784216	Collar, Shift
10	786060	Sprocket (14 teeth)
11	786061	Sprocket (10 teeth)
12	776134	Shaft, Counter
13	778109	Gear, Bevel (42 tooth and 15 tooth spur gear)
14	778110	Gear, Spur (20 teeth)
15	778111	Gear, Spur (25 teeth)
16	778112	Gear, Spur (30 teeth)
17	776143	Shaft, Input
18	778113	Bevel Pinion, Input
19	784224	Rod and Fork Assy, Shifter
20	786047	Sprocket (8 teeth)
21	790003	Disk, Brake
22	790011	Lever, Brake

Ref. No.	Tecumseh Part No.	Description
23	790005	Holder, Brake pad
24	790006	Pad, Brake
25	790007	Plate, Brake pad
26	786026	Pin, Dowel
27	780105	Bushing, Flanged
28	786062	Chain, Roller (#41 chain, 22 links)
29	780072	Race, Thrust
30	780106	Bearing, Needle
31	792072	Ring, Retaining
32	792035	Ring, Retaining
33	792059	Screw, 1/4-20 x 3/4 hex hd. tap-tite
34	788040	Ring, Retaining
36	792073	Screw, 1/4-20 x 1-1/4 hex. hd. tap-tite
37	792074	Plug
38	792075	Nut, 5/16-24 Lock
39	792076	Washer, 5/16 Flat
40	792077	Ball, 5/16" Steel
41	792078	Screw, 3/8-16 x 3/8 Set
42	792079	Spring

Order from your Tecumseh Products Co., Lauson-Power Products parts outlet.

# PEERLESS TRANSMISSION MODEL 503

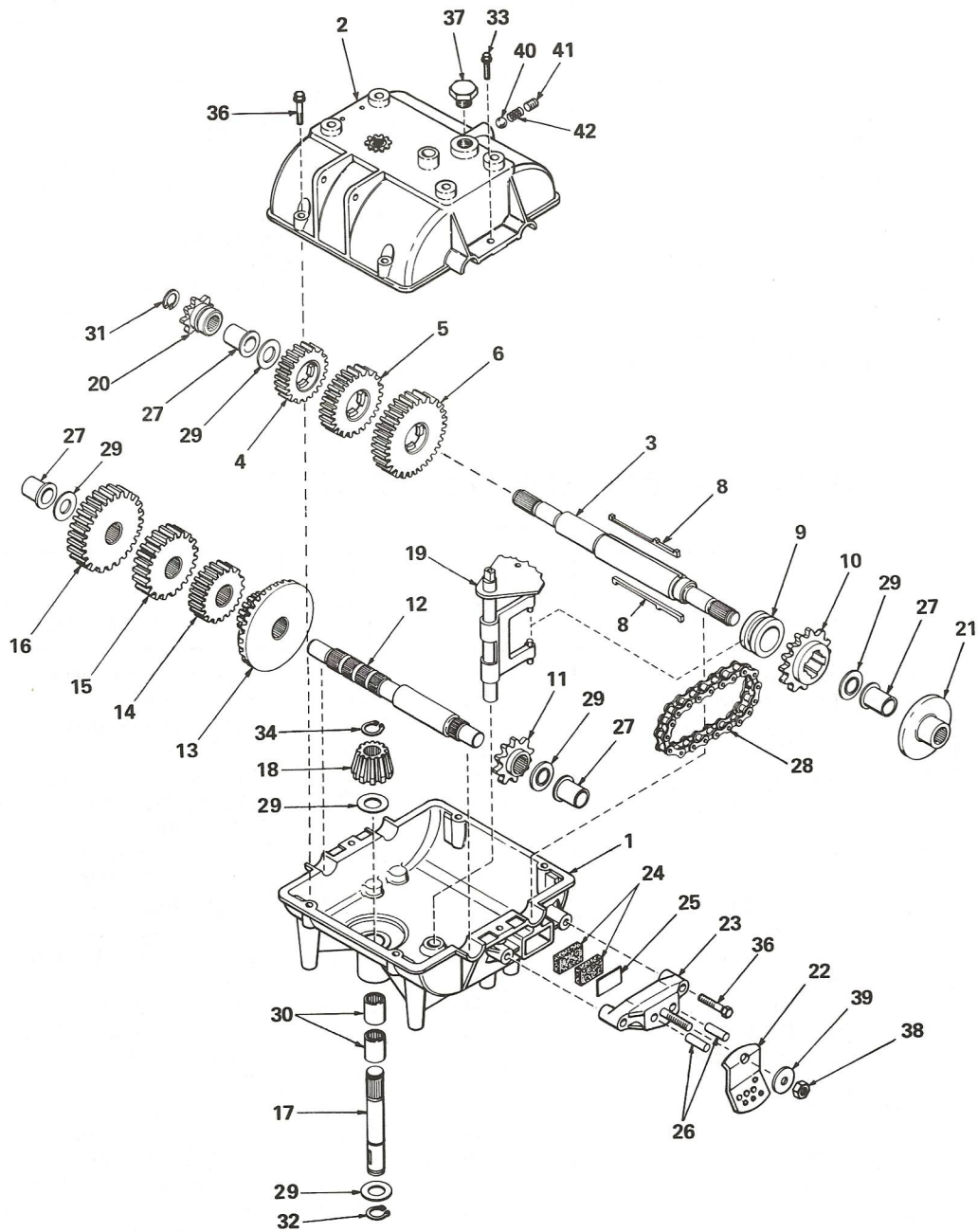


FIGURE 6