

---

# Bolens®

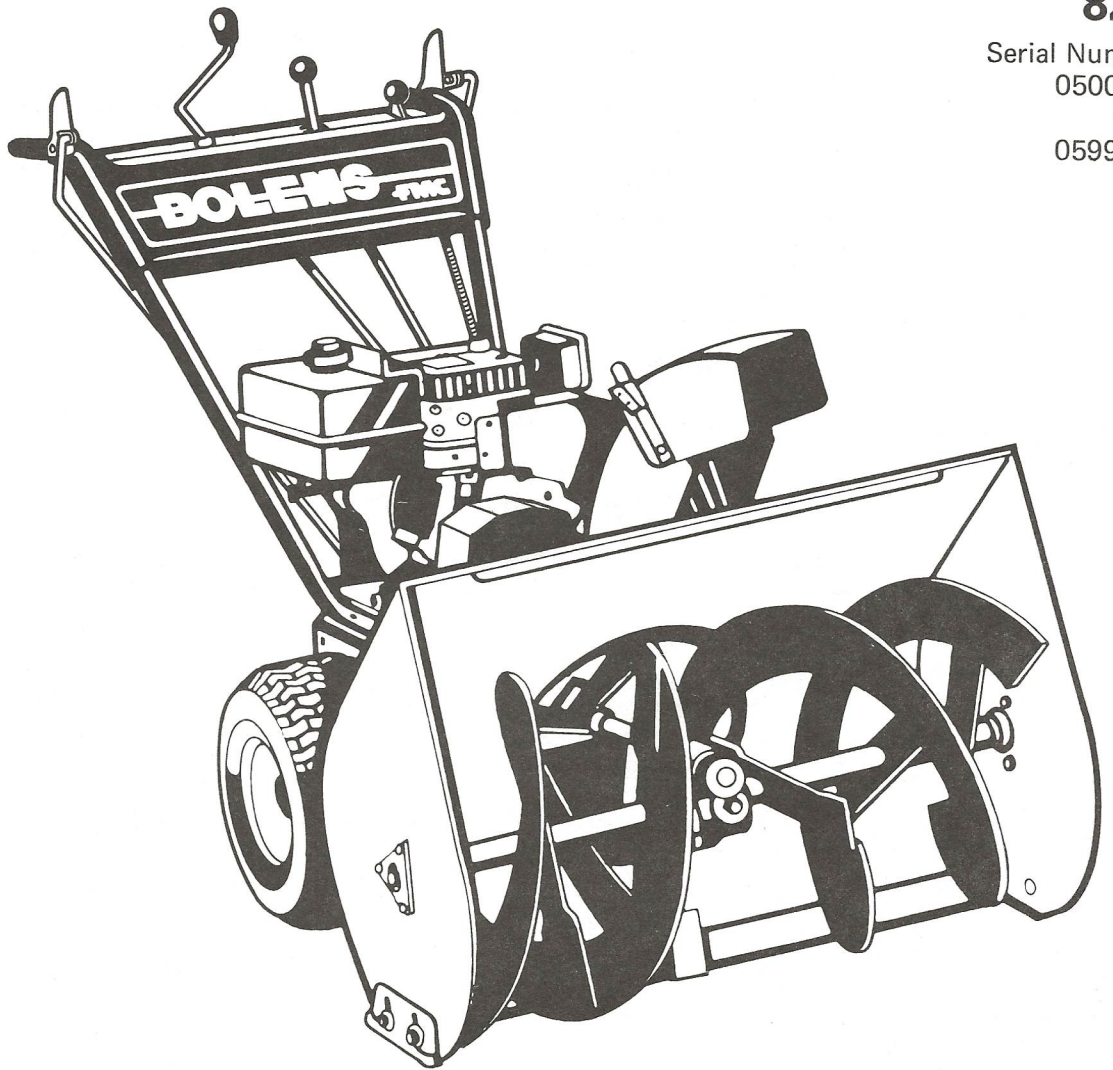
## Snow Thrower

**Models 1026  
1032**

Serial Number  
0300101  
thru  
0399999

**826**

Serial Number  
0500101  
thru  
0599999



## Parts List

# BOLENS 26 & 32 INCH SNOW THROWER

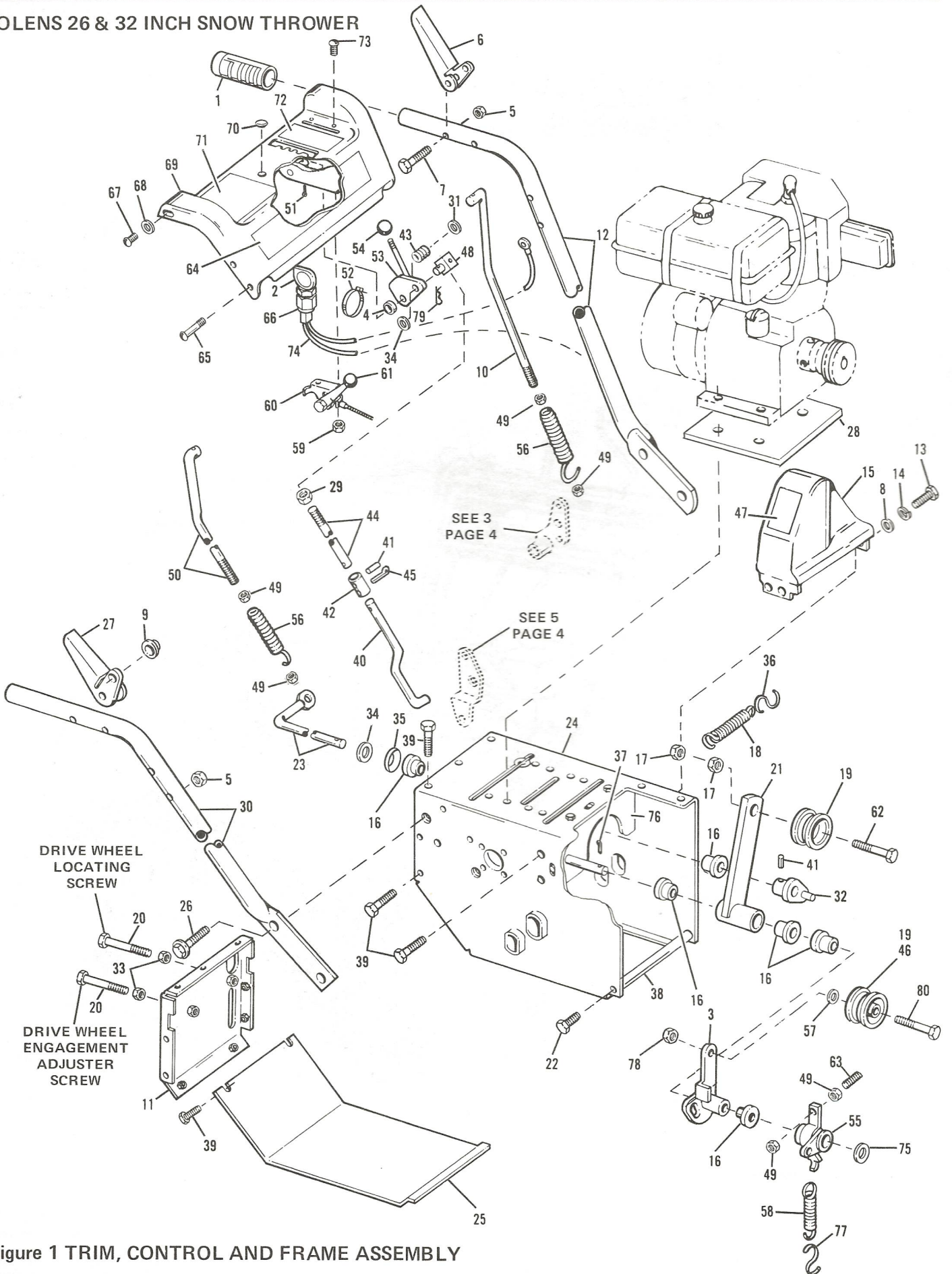


Figure 1 TRIM, CONTROL AND FRAME ASSEMBLY

REF. NO.	PART NO.	DESCRIPTION	NO. REQ'D.
1	1740015	Handle Grip . . . . .	2
2	1727326	Key Only . . . . .	1
3	1739937	Idler Arm. . . . .	1
4	1739716	Spacer . . . . .	1
5	1734398	Hex Lock Nut, 1/4-20 . . . . .	6
6	1740561	L.H. Control Handle . . . . .	1
7	• 1111601	Hex Head Capscrew, 1/4-20 x 1-3/4. . . . .	2
8	• 1107382	Flat Washer, 5/16 . . . . .	4
9	1728072	Push Nut . . . . .	2
10	1739734	Clutch Control Rod . . . . .	1
11	1739757	Back Plate . . . . .	1
12	1739912	Left Hand Handle . . . . .	1
13	• 1100044	Hex Head Capscrew, 5/16-18 x 3/4 . . . . .	4
14	• 1100242	Lockwasher, 5/16 . . . . .	4
15	1740030	Belt Guard . . . . .	1
16	1715716	Bushing . . . . .	6
17	1185506	Self Locking Jam Nut, 3/8-16 . . . . .	2
18	1740011	Extension Spring . . . . .	1
19	1729440	Idler (1026 & 1032). . . . .	1
	1729440	Idler (826) . . . . .	2
20	• 1186334	Flange Head Capscrew, 5/16-18 x 1-3/4. . . . .	2
21	1739935	Idler Arm. . . . .	1
22	• 1186329	Flange Hd. Capscrew, 5/16-18 x 3/4 . . . . .	2
23	1739942	Control Arm. . . . .	1
24	1740525	Frame . . . . .	1
25	1739838	Bottom Cover . . . . .	1
26	• 1186345	Flange Screw, 3/8-16 x 3/4 . . . . .	4
27	1740560	R.H. Control Handle . . . . .	1
28	1741734	Engine Mounting Plate . . . . .	1
29	• 1186231	Hex Nut, 3/8-16 . . . . .	2
30	1739913	Right Hand Handle . . . . .	1
31	• 1107383	Flat Washer, 3/8 . . . . .	1
32	1739932	Control Arm. . . . .	1
33	• 1186258	Hex Nut, 5/16-18 . . . . .	1
34	1890234	Flat Washer, 1/2 . . . . .	2
35	1706782	Bowed Washer . . . . .	1
36	1740989	Hook . . . . .	1
37	• 1100356	Cotter Pin, 3/32 x 1. . . . .	1
38	1739756	Cross Member . . . . .	1
39	1186328	Flange Screw, 5/16-18 x 5/8. . . . .	12
40	1739726	Control Rod . . . . .	1
41	1177625	Roll Pin, 1/8 x 3/4. . . . .	2
42	1721782	Coupling . . . . .	1
43	1713167	Compression Spring . . . . .	1
44	1741447	Speed Control Rod . . . . .	1

REF. NO.	PART NO.	DESCRIPTION	NO. REQ'D.
45	• 1100350	Cotter Pin, 1/8 x 1. . . . .	2
46	1735914	Idler (1026 & 1032). . . . .	1
47	1736382	Decal (1032) . . . . .	1
	1736752	Decal (1026) . . . . .	1
	1736381	Decal (826) . . . . .	1
48	1727053	Swivel Block. . . . .	1
49	• 1186229	Hex Nut, 1/4-20 . . . . .	6
50	1740027	Auger Control Rod . . . . .	1
51	• 1100349	Cotter Pin, 1/8 x 3/4 . . . . .	1
52	1735531	Tie Cable . . . . .	2
53	1739715	Control Lever . . . . .	1
54	1715817	Knob . . . . .	1
55	1739941	Brake Arm Assy . . . . .	1
56	1739745	Extension Spring. . . . .	2
57	1708755	Flat Washer (1026 & 1032) . . . . .	1
58	1740990	Extension Spring. . . . .	1
59	• 1185985	External Lockwasher Nut, No. 10. . . . .	2
60	1741648	Throttle Control (Incl. Ref. 61). . . . .	1
61	1724527	Control Knob . . . . .	1
62	• 1100086	Hex Screw, 3/8-16 x 1-3/4 . . . . .	2
63	1741847	Socket Head Screw, 1/4-20 x 1-1/4. . . . .	1
64	1736361	Decal (Logo) . . . . .	1
65	• 1115958	Round Head Machine Screw, 1/4-20 x 1-1/2. . . . .	4
66	1727321	Ignition Switch (Incl. Ref. 2)	1
67	• 1185549	Thread Cutting Screw, No. 10-24 x 5/8. . . . .	2
68	• 1103959	Flat Washer, No. 10. . . . .	2
69	1739885	Console . . . . .	1
70	1185585	Flip Grommet. . . . .	1
71	1740559	Decal Instructions . . . . .	1
72	1740558	Decal Throttle Control. . . . .	1
73	• 1115815	Round Head Phillips Screw, No. 10-24 x 5/8. . . . .	2
74	1740404	Lead . . . . .	1
75	• 1107385	Flat Washer, 1/2 . . . . .	1
76	1740442	Support Ass'y. . . . .	1
77	1742250	Hook . . . . .	1
78	1733398	Lock Nut, 3/8-16 . . . . .	1
79	1703011	Spring Pin . . . . .	1
80	• 1100047	Hex Screw, 3/8-16 x 1-1/2 (826). . . . .	1
	• 1100048	Hex Screw, 3/8-16 x 2 (1026 & 1032) . . . . .	1
NI	1734846	Spray Paint, Red	
NI	1735222	Spray Paint, Black	

• Common Hardware - purchase locally (Grade 5 where applicable)

# BOLENS 26 & 32 INCH SNOW THROWER

Tighten to 90-110 in. lbs. (10-12 Nm)

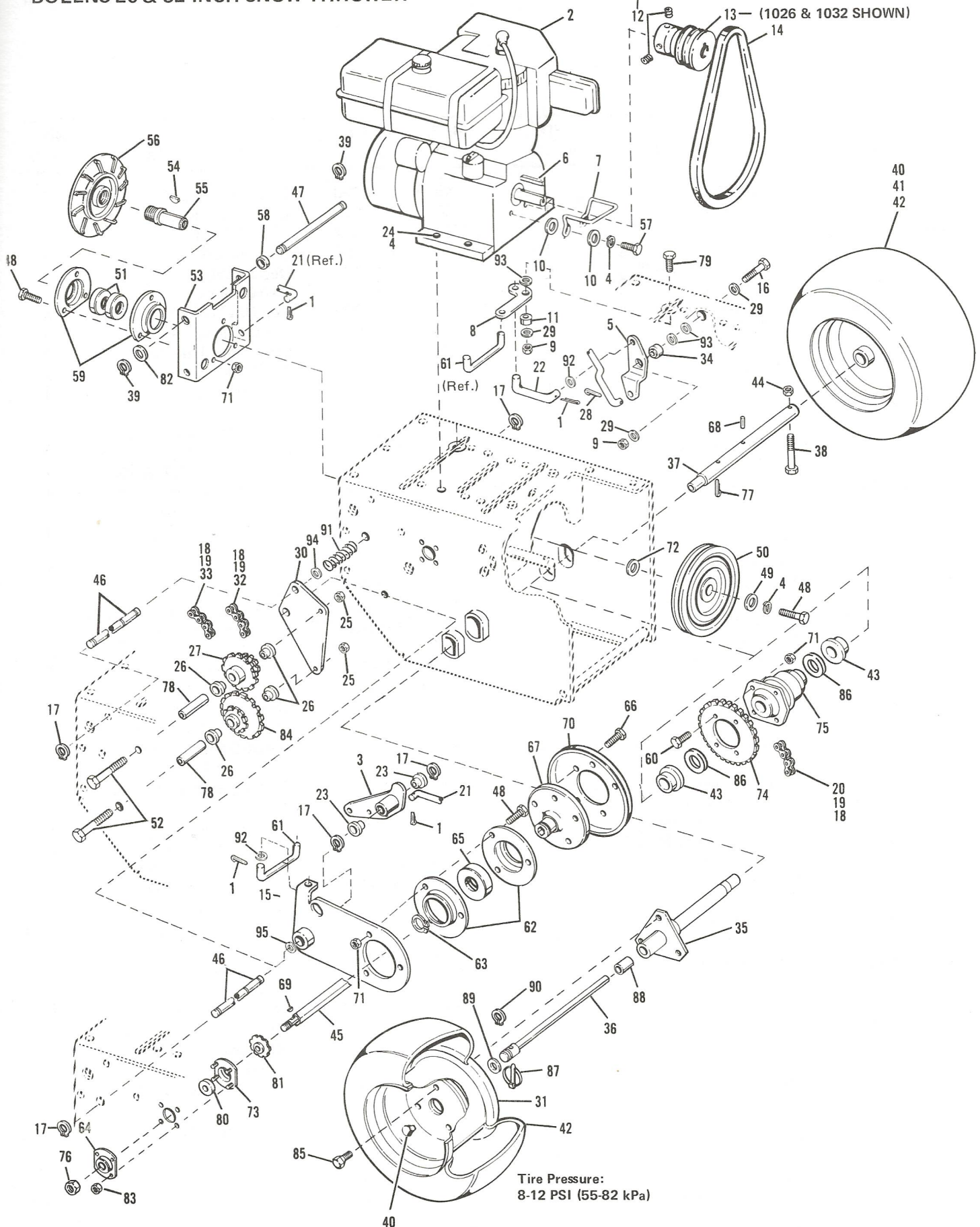


Figure 2 ENGINE AND DRIVE ASSEMBLY

MODELS 826, 1026 & 1032

REF. NO.	PART NO.	DESCRIPTION	NO. REQ'D.
1	• 1187385	Cotter Pin, 1/16 x 1/2 . . . .	8
2	*	Tecumseh Engine HMSK100 (1026 & 1032) . . . . .	1
	*	Tecumseh Engine HMSK80 (826). . . . .	1
3	1739744	Arm Ass'y . . . . .	1
4	• 1100242	Lockwasher, 5/16 . . . . .	7
5	1739727	Control Arm. . . . .	1
6	1187474	Key, 1/4 Square x 1-1/4 . . .	1
7	1735911	Belt Guide . . . . .	1
8	1739730	Control Arm. . . . .	1
9	1733398	Lock Nut, 3/8-16 . . . . .	2
10	• 1107382	Flat Washer, 5/16 . . . . .	6
11	1739731	Spacer. . . . .	1
12	1741846	Set Screw, 5/16-18 x 5/16. .	2
13	1735912	Engine Sheave (1026 & 1032) . . . . .	1
	1726780	Engine Sheave (826) . . . . .	1
14	1739943	V-belt (Set of 2) . . . . .	1
15	1740739	Support Plate . . . . .	1
16	• 1100086	Capscrew, 3/8-16 x 1-3/4 . .	1
17	1118808	Retaining Ring . . . . .	5
18	182087	Offset Link (Half Link) . . .	1
19	1185026	Conn. Link, No. 41 Chain . .	3
20	1739454	Drive Chain, 1/2 Pitch, ASA No. 41 . . . . .	1
21	1739733	Control Link . . . . .	1
22	1739729	Control Link . . . . .	1
23	1714299	Flange Bushing . . . . .	2
24	• 1100799	Hex Screw, 5/16-18 x 1-1/4. .	4
25	1185506	Hex Lock Nut, 3/8-16 . . . .	2
26	1739458	Flange Bearing . . . . .	4
27	1739480	Sprocket Ass'y, 9T & 17T. . .	1
28	• 1100346	Cotter Pin, 3/32 x 3/4 . . . .	1
29	• 1100256	Flat Washer, 3/8 . . . . .	3
30	1739497	Support Plate . . . . .	1
31	1739808	Wheel Disc. . . . .	1
32	1739452	Drive Chain . . . . .	1
33	1739453	Drive Chain . . . . .	1
34	1739728	Pivot. . . . .	1
35	1739823	Axle Ass'y . . . . .	1
36	1739827	Axle Shaft . . . . .	1
37	1739819	Axle Shaft . . . . .	1
38	• 1111601	Hex Screw, 1/4-20 x 1-3/4 . .	1
39	1118804	Retaining Ring . . . . .	2
40	1718086	Valve Stem. . . . .	2
41	1739807	Wheel Disc (1032) . . . . .	1
	1739802	Wheel Disc (826 & 1026) . .	1
42	1726307	Tire 16-6.50 x 8 (1032) . . .	2
	1727902	Tire 4.80/4.00 x 8 (826 & 1026) . . . . .	2
43	1739471	Flange Bearing . . . . .	2

•Common Hardware - purchase locally (Grade 5 where applicable)

REF. NO.	PART NO.	DESCRIPTION	NO. REQ'D.
44	1734398	Lock Nut, 1/4-20 . . . . .	1
45	1739457	Hex Shaft . . . . .	1
46	1739717	Shaft Support. . . . .	2
47	1739462	Support Shaft. . . . .	1
48	• 1100044	Capscrew, 5/16-18 x 3/4. . . .	7
49	1713233	Washer, Flat Special. . . . .	1
50	1739456	Sheave. . . . .	1
51	1185809	Ball Bearing . . . . .	2
52	• 1110644	Capscrew, 3/8-16 x 3-1/4 . .	2
53	1739667	Drive Disc Support . . . . .	1
54	1185885	Woodruff Key, 3/16 x 5/8. . .	1
55	1739491	Spindle . . . . .	1
56	1720918	Drive Plate. . . . .	1
57	• 1100005	Hex Screw, 5/16-24 x 1 . . .	2
58	1739461	Spacer. . . . .	1
59	1739488	Bearing Retainer . . . . .	2
60	1100045	Hex Screw, 5/16-18 x 1 . . .	4
61	1739732	Connecting Link . . . . .	1
62	1739485	Retainer Bearing. . . . .	2
63	1736561	Snap Ring . . . . .	1
64	1720811	Flange Bearing . . . . .	1
65	1741733	Ball Bearing . . . . .	1
66	1186327	Screw, 5/16-18 x 1/2. . . . .	5
67	1739490	Friction Disc Hub . . . . .	1
68	1185376	Drive Pin, 3/16 x 1-1/2. . . .	1
69	1104435	Woodruff Key. . . . .	1
70	1720859	Molded Friction Disc . . . . .	1
71	1732499	Lock Nut, 5/16-18. . . . .	10
72	1709224	Special Washer . . . . .	1
73	1720810	Flange Bearing Ass'y . . . . .	1
74	1739472	Sprocket 30T . . . . .	1
75	1735861	Differential Ass'y . . . . .	1
76	• 1185496	Jam Nut, No. 1/2-13 . . . . .	1
77	1730483	Drive Pin . . . . .	1
78	1739476	Spacer. . . . .	2
79	• 1100046	Hex Screw, 3/8-16 x 1 . . . .	1
80	1185808	Ball Bearing . . . . .	1
81	1739483	Sprocket, 9T . . . . .	1
82	1890234	Flat Washer, 1/2 . . . . .	2
83	1737938	Lock Nut, No. 10-24 . . . . .	4
84	1739479	Sprocket Ass'y, 9T & 30T. . .	1
85	1716223	Lug Bolt . . . . .	3
86	1740002	Flat Washer . . . . .	2
87	1719349	Retaining Pin . . . . .	1
88	1735818	Sleeve Bearing. . . . .	1
89	1708550	Flat Washer . . . . .	1
90	1185649	Retaining Ring . . . . .	1
91	1741647	Compression Spring. . . . .	1
92	• 1107381	Flat Washer, 1/4 . . . . .	2
93	• 1107383	Flat Washer, 3/8 . . . . .	3
94	1709053	Special Washer . . . . .	1
95	• 1107386	Flat Washer, 5/8 . . . . .	1

\*Purchase Parts from your Tecumseh, Lauson-Power Products Outlet

# BOLENS 26 & 32 INCH SNOW THROWER

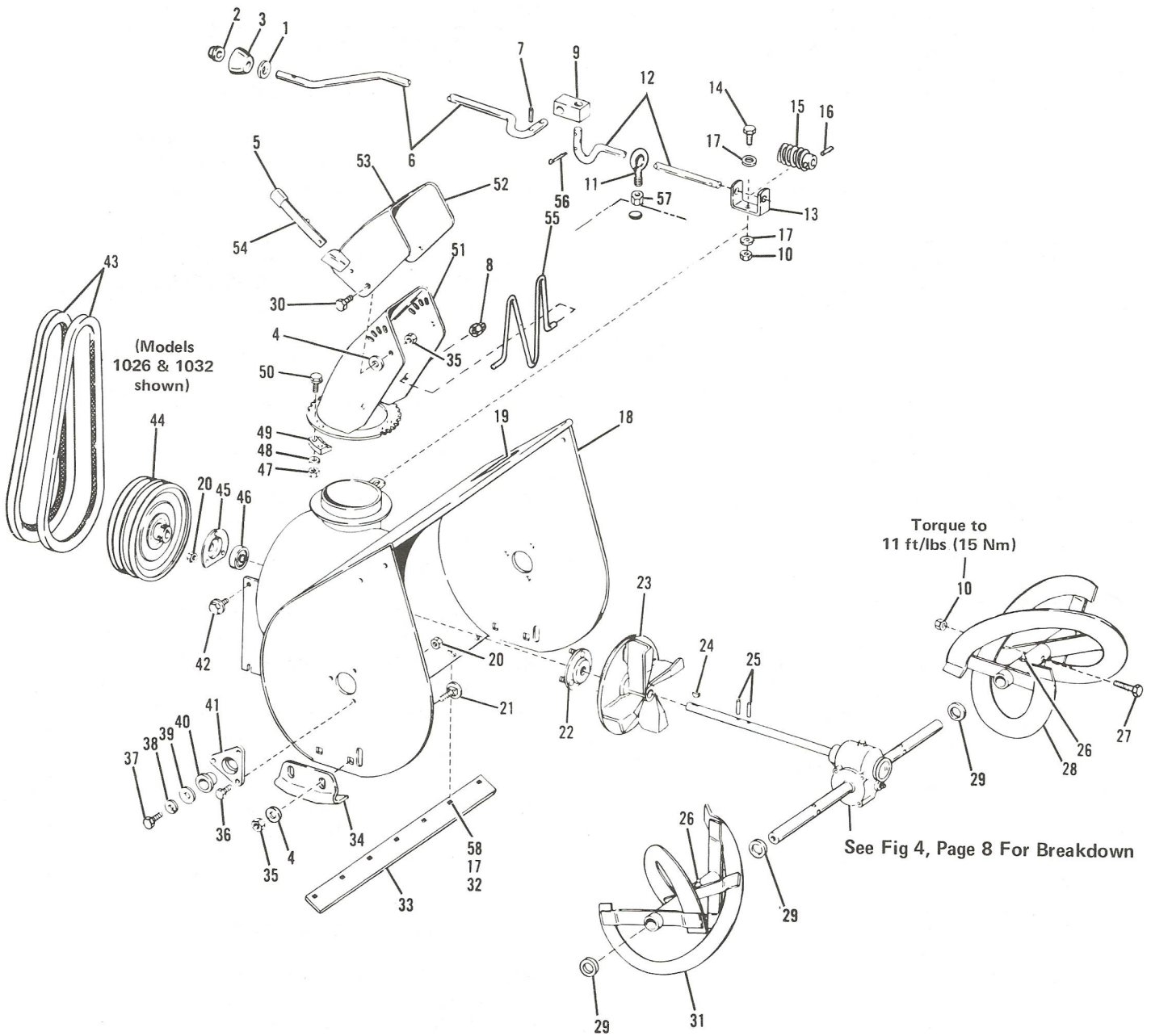


Figure 3 BLOWER HOUSING ASSEMBLY

REF. NO.	PART NO.	DESCRIPTION	NO. REQ'D.	REF. NO.	PART NO.	DESCRIPTION	NO. REQ'D.
1	1890945	Flat Washer, 3/8 . . . . .	1	32	1712059	Carriage Bolt, 5/16-18 x 1/2	7
2	1710146	Cap, Push On . . . . .	1	33	1725184	Scraper Blade (Model 1032)	1
3	1735868	Knob . . . . .	1		1720885	Scraper Blade (Models 826 & 1026) . . . . .	1
4	● 1107383	Flat Washer, 3/8 . . . . .	6	34	1728567	Runner . . . . .	2
5	1730214	Grip . . . . .	1	35	1733398	Lock Nut, 3/8-16 . . . . .	6
6	1736691	Chute Control Crank . . . . .	1	36	● 1111599	Hex Head Capscrew, 1/4-20 x 5/8 . . . . .	6
7	1177625	Roll Pin, 1/8 x 3/4. . . . .	2	37	● 1100053	Hex Head Capscrew, 1/2-13 x 3/4 . . . . .	2
8	1186048	Push Nut . . . . .	2	38	● 1100245	Lockwasher, 1/2 . . . . .	2
9	1714782	Swivel Block. . . . .	1	39	● 1100257	Flat Washer, 1/2 . . . . .	2
10	● 1732499	Lock Nut, 5/16-18. . . . .	5	40	1185846	Flange Bushing . . . . .	2
11	1739796	Eye Bolt . . . . .	1	41	1720922	Bearing Support . . . . .	2
12	1739795	Chute Control Shaft. . . . .	1	42	1185798	Flange Whiz Lock Screw, 3/8-16 x 1/2 . . . . .	2
13	1735869	Gear Support . . . . .	1	43	1739945	V-Belt, 37-1/4" Set (1026 & 1032). . . . .	1
14	● 1100044	Hex Head Capscrew, 5/16-18 x 3/4. . . . .	1		1739944	V-Belt, 37-1/4" (826). . . . .	1
15	1724870	Worm, 6 Thread, L.H. . . . .	1	44	1736000	Auger Sheave (1026 & 1032). . . . .	1
16	1724885	Drive Pin, 3/32 x 3/4 . . . . .	1		1725282	Auger Sheave (826) . . . . .	1
17	● 1107382	Flat Washer, 5/16 . . . . .	9	45	1734735	Flange Bearing . . . . .	1
18	1739799	Housing (Model 1032) . . . . .	1	46	1185809	Ball Bearing . . . . .	1
	1739798	Housing (Models 826&1026)	1	47	1741587	Lock Nut, No. 10-24 . . . . .	6
19	1735925	Decal (Warning) . . . . .	1	48	● 1103959	Flat Washer, No. 10 . . . . .	As Req'd.
20	1734398	Lock Nut, 1/4-20 . . . . .	9	49	1724869	Clip . . . . .	3
21	● 1186126	Carriage Bolt, 3/8-16 x 3/4 . . . . .	4	50	● 1185130	Hex Head Sems Machine Screw, No. 10-24 . . . . .	6
22	1734872	Bearing Flange . . . . .	1	51	1724867	Duct Assembly . . . . .	1
23	1720785	Fan. . . . .	1	52	1723746	Deflector Cap. . . . .	1
24	1104436	Woodruff Key, 3/16 x 3/4. . . . .	1	53	1735924	Decal (Warning) . . . . .	1
25	1185348	Roll Pin, 1/4 x 1-1/4 . . . . .	2	54	1723643	Adjusting Lever. . . . .	1
26	1185803	Grease Fitting. . . . .	4	55	1722501	Guard, Chute . . . . .	1
27	1720867	Shear Bolt . . . . .	2	56	● 1185147	Cotter Pin, 3/32 x 1/2 . . . . .	2
28	1725108	Auger, Left Hand (Model 1032) . . . . .	1	57	● 1186230	Hex Nut, 3/8-16 . . . . .	1
	1725112	Auger, Left Hand (Models 826 & 1026) . . . . .	1	58	1110107	Lock Nut, 5/16-18. . . . .	7
29	1185816	Special Washer, 1-1/64 Diameter . . . . .	6	NI	1723284	Grease Gun	
30	● 1103212	Hex Head Capscrew, 3/8-16 x 5/8 . . . . .	2	NI	1723479	Grease, Multi-purpose	
31	1725109	Auger, Right Hand (Model 1032) . . . . .	1				
	1725113	Auger, Right Hand (Models 826 & 1026) . . . . .	1				

●Common Hardware - purchase locally (Grade 5 where applicable)

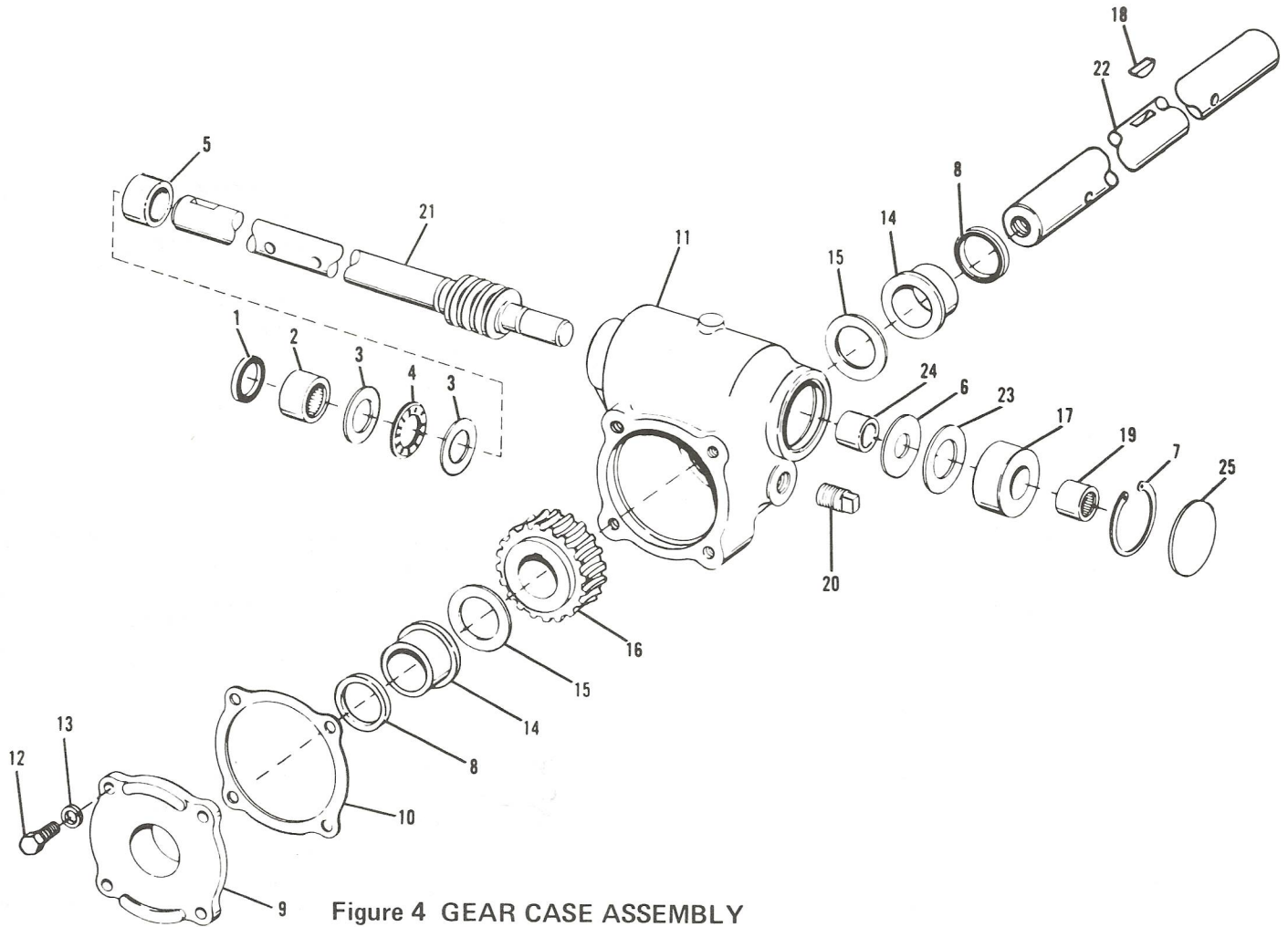


Figure 4 GEAR CASE ASSEMBLY

REF. NO.	PART NO.	DESCRIPTION	NO. REQ'D.	REF. NO.	PART NO.	DESCRIPTION	NO. REQ'D.
1	1185224	Oil Seal . . . . .	1	16	1720933	Worm Gear, 20T . . . . .	1
2	1185374	Needle Bearing . . . . .	1	17	1720763	Spacer . . . . .	1
3	1185841	Thrust Race . . . . .	2	18	1100276	Woodruff Key, 1/4 x 7/8 . . . . .	1
4	1185431	Thrust Bearing . . . . .	1	19	1185568	Needle Bearing . . . . .	1
5	1741774	Spacer . . . . .	1	20	1105620	Square Head Plug, 1/4-18 NPT . . . . .	1
6	1185842	Washer . . . . .	1	21	1739790	Impeller Shaft. . . . .	1
7	1118726	Retaining Ring, Internal . . . . .	1	22	1725135	Auger Shaft (Model 1032). . . . .	1
8	1185266	Oil Seal . . . . .	2		1720894	Auger Shaft (Models 826 & 1026). . . . .	1
9	1720910	Gear Case Cover . . . . .	1	23	1185840	Thrust Race . . . . .	1
10	1720941	Cover Gasket . . . . .	1	24	1741775	Spacer . . . . .	1
11	1735894	Gear Case Only . . . . .	1	25	1112634	Expansion Plug . . . . .	1
12	● 1111599	Capscrew, 1/4-20 x 5/8. . . . .	4	NI	1723456	Gear Lube, EP 90	
13	● 1100241	Lockwasher, 1/4 . . . . .	4				
14	1185728	Flange Bearing . . . . .	2				
15	1185815	Thrust Race . . . . .	2				