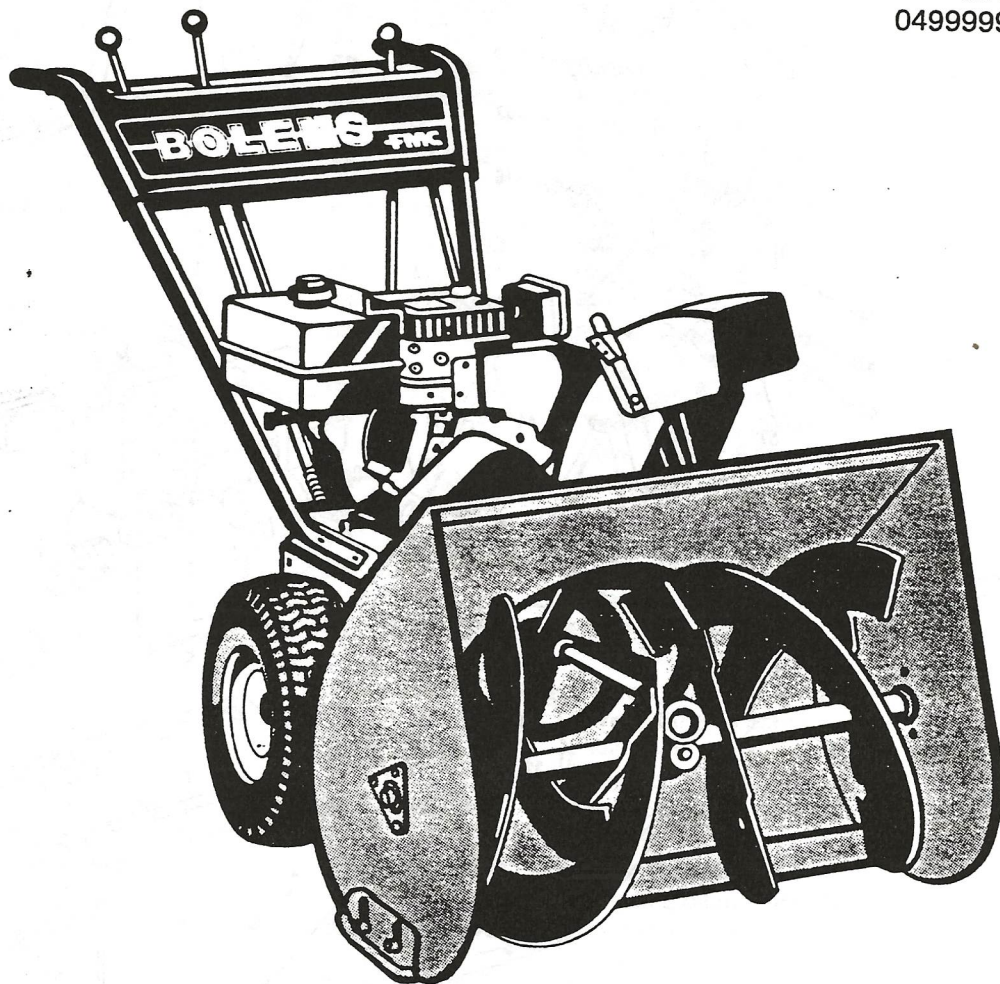


Bolens[®]

Snow Thrower

Model 826

Serial Number
0300101
thru
0499999



Parts List

BOLENS 26 INCH SNOW THROWER

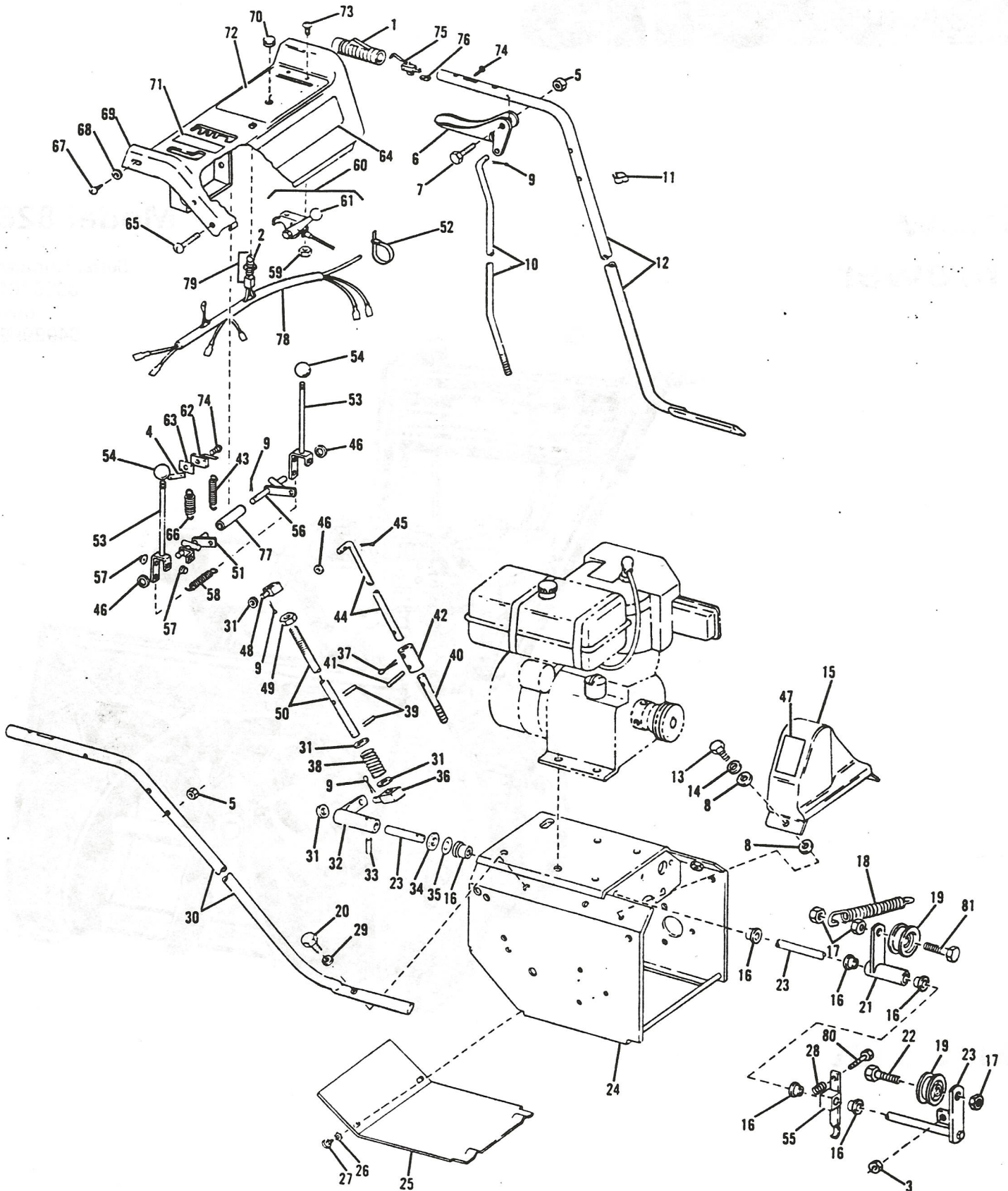


Figure 1 TRIM, CONTROL AND FRAME ASSEMBLY

REF. NO.	PART NO.	DESCRIPTION	NO. REQ'D.	REF. NO.	PART NO.	DESCRIPTION	NO. REQ'D.
1	1737240	Handle Grip	2	45	● 1100349	Cotter Pin, 1/8 x 3/4	1
2	1727326	Key Only	1	46	● 1107383	Flat Washer, 3/8	4
3	● 1110107	Lock Nut, 5/16-18.	1	47	1736381	Decal	1
4	1727777	Speed Nut, No. 4-40	1	48	1725264	Swivel Block.	1
5	● 1110106	Hex Lock Nut, 1/4-20	5	49	● 1186230	Hex Nut, 5/16-18	1
6	1732537	Clutch Handle.	1	50	1725267	Auger Control Rod	1
7	● 1100811	Hex Head Capscrew, 1/4-20 x 1-1/2	1	51	1735697	Pivot, RH. (3)	1
8	● 1107381	Flat Washer, 1/4	2	52	1735531	Tie Cable (4)	1
9	● 1100346	Cotter Pin, 3/32 x 3/4	4	53	1735701	Control Lever (3)	2
10	1732538	Clutch Control Rod.	1	54	1715817	Knob (4)	2
11	149925	Cable Clip	1	55	1730264	Brake Arm Assy.	1
12	1735916	Left Hand Handle	1	56	1735693	Pivot, LH. (3) (4)	1
13	● 1100805	Hex Head Capscrew, 1/4-20 x 3/4	2	57	1710146	Push Nut (4)	4
14	● 1100241	Lockwasher, 1/4	2	58	1735843	Extension Spring.	1
15	1736006	Belt Guard.	1	59	● 1185985	External Lockwasher Nut, No. 10	2
16	1715716	Bushing.	6	60	1725323	Throttle Control (Incl. Ref. 61)	1
17	1185506	Self Locking Jam Nut, 3/8-16	3	61	1724527	Control Knob	1
18	1725263	Extension Spring.	1	62	1728199	Interlock Switch	1
19	1729440	Idler	2	63	1725551	Switch Plate	1
20	● 1100046	Hex Head Capscrew, 3/8-16 x 1	4	64	1736361	Decal (Logo)	1
21	1730261	Idler Arm.	1	65	● 1115987	Round Head Machine Screw, 1/4-20 x 1-1/2	4
22	● 1100043	Hex Head Capscrew, 3/8-16 x 1-1/4	1	66	1725826	Extension Spring.	1
23	1728163	Idler Arm.	1	67	● 1185549	Thread Cutting Screw, No. 10-24 x 5/8	2
24	1735801	Frame (3).	1	68	● 1103959	Flat Washer, No. 10	2
	1739041	Frame (4).	1	69	1735686	Console (3) (4)	1
25	1725148	Bottom Cover.	1	70	1185585	Flip Grommet.	1
26	● 1185489	Shakeproof Washer, No. 10.	2	71	1735841	Decal (Wheel & Auger Drive).	1
27	● 1185750	Self Drilling Screw, No. 10-24 x 1/2	2	72	1735842	Decal (Instructions)	1
28	1807317	Compression Spring.	1	73	● 1115815	Round Head Phillips Screw, No. 10-24 x 5/8	2
29	● 1100243	Lockwasher, 3/8	4	74	1725552	Thread Cutting Screw, No. 4-40 x 3/4	4
30	1730186	Right Hand Handle	1	75	1728198	Interlock Switch	2
31	● 1107382	Flat Washer, 5/16	4	76	1727802	Connector	1
32	1728167	Control Arm.	1	77	1735698	Tube.	1
33	1185389	Drive Pin, 5/32 x 3/4	1	78	1736071	Wiring Harness	1
34	1890234	Flat Washer, 1/2	1	79	1727321	Ignition Switch (Incl. Ref. 2)	1
35	1706782	Bowed Washer	1	80	● 1100808	Hex Head Capscrew, 5/16-18 x 1-1/4	1
36	1725265	Swivel Block.	1	81	● 1100086	Hex Screw, 3/8-16 x 1-3/4	1
37	● 1100350	Cotter Pin, 1/8 x 1.	1	NI	1734846	Spray Paint, Red	
38	1713781	Compression Spring.	1	NI	1735222	Spray Paint, Black	
39	1724885	Drive Pin, 3/32 x 3/4	2				
40	1727159	Shift Rod Extension	1				
41	1177625	Roll Pin, 1/8 x 3/4.	1				
42	1721782	Coupling	1				
43	1728258	Extension Spring.	1				
44	1727024	Speed Control Rod	1				

1738964
1738962
1738965
1738960

● Common Hardware - purchase locally (Grade 5 where applicable)

(3) Serial Number 0300101 thru 0399999

(4) Serial Number 0400101 and later

BOLENS 26 INCH SNOW THROWER

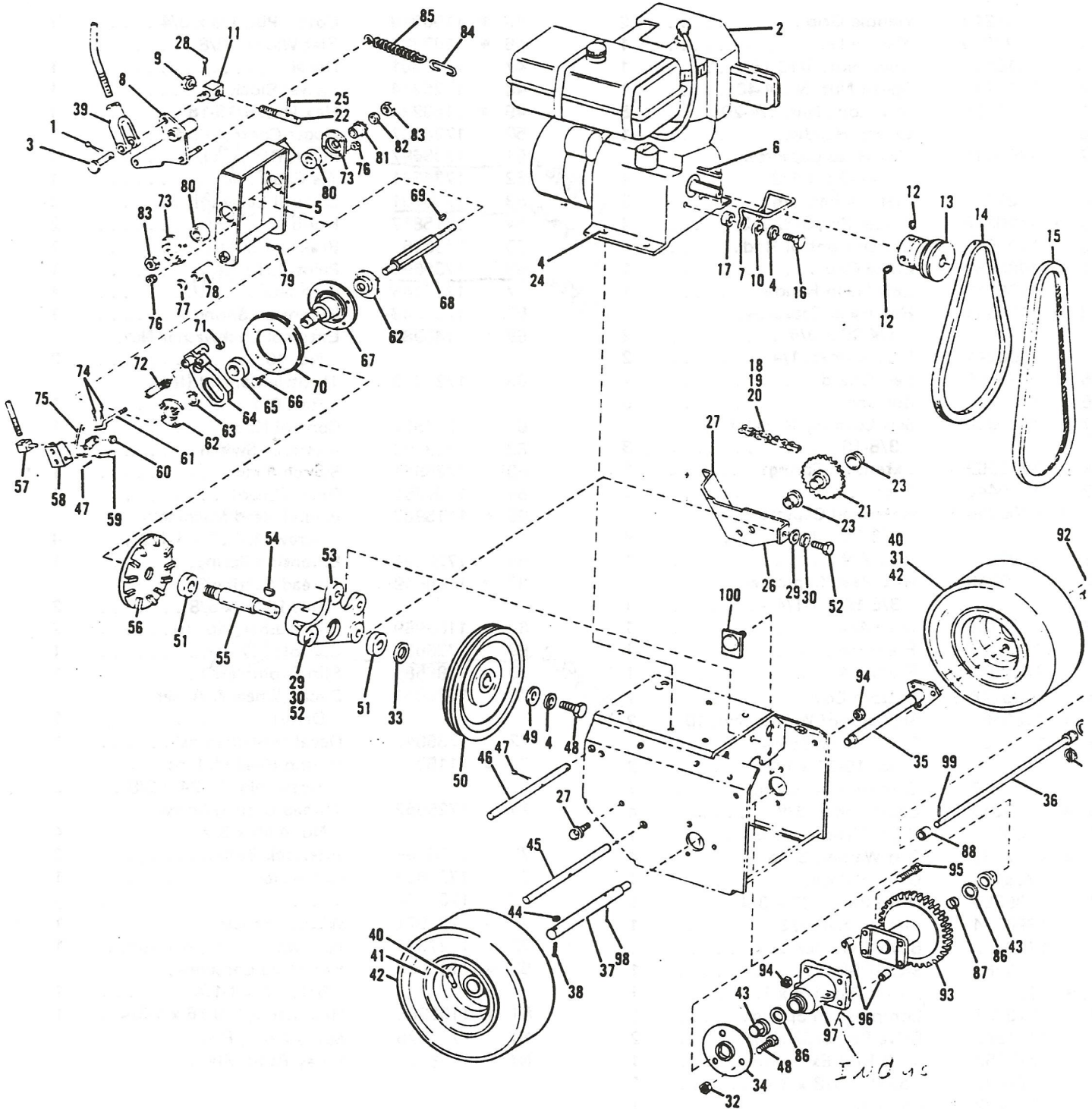


Figure 2 ENGINE AND DRIVE ASSEMBLY

REF. NO.	PART NO.	DESCRIPTION	NO. REQ'D.	REF. NO.	PART NO.	DESCRIPTION	NO. REQ'D.
1	1187385	Cotter Pin, 1/16 x 1/2	1	50	1725281	Sheave.	1
2	*	Tecumseh Engine HMSK80	1	51	1185809	Ball Bearing	2
3	1710348	Clevis Pin.	1	52	● 1103212	Capscrew, 3/8-16 x 5/8.	4
4	● 1100242	Lockwasher, 5/16	7	53	1721749	Bearing Housing	1
5	1735730	Bracket Assy.	1	54	1185885	Woodruff Key, 3/16 x 5/8.	1
6	1187474	Key, 1/4 Square x 1-1/4	1	55	1725189	Spindle	1
7	1735911	Belt Guide	1	56	1720918	Drive Plate	1
8	1727048	Pivot Arm Assy.	1	57	1721146	Pivot.	1
9	● 1186231	Hex Nut, 3/8-16	1	58	1720797	Lever Bracket	1
10	● 1107382	Flat Washer, 5/16	2	59	1720869	Clevis Pin.	1
11	1727053	Pivot Block	1	60	1185257	Retaining Ring	1
12	● 1182554	Set Screw, 5/16-18 x 5/16.	2	61	1720856	Connecting Link	1
13	1726780	Engine Sheave.	1	62	1720810	Flange Bearing Assy.	2
14	1894272	V-belt	1	63	1736561	Snap Ring	1
15	1725253	V-belt, 34".	1	64	1736758	Sliding Fork Assy.	1
16	● 1100005	Capscrew, 5/16-24 x 1	2	65	1185806	Thrust Bearing	1
17	1803327	Spacer.	2	66	1186327	Screw, 5/16-18 x 1/2.	5
18	182087	Offset Link (Half Link)	1	67	1736562	Friction Disc Hub	1
19	1185013	Conn. Link, No. 41 Chain.	1	68	1720862	Hex Shaft	1
20	1720939	Drive Chain, 1/2 Pitch, ASA No. 41.	1	69	1104435	Woodruff Key.	1
21	1735709	Pinion and Sprocket.	1	70	1720859	Molded Friction Disc	1
22	1735732	Adjusting Rod	1	71	● 1110149	Lock Nut, 5/16-24.	1
23	1185802	Flange Bearing	2	72	1720925	Ball Joint.	1
24	● 1100808	Screw, Hex 5/16-18 x 1-1/4.	4	73	1720811	Flange Bearing	1
25	1177625	Roll Pin, 1/8 x 3/4.	2	74	● 1100346	Cotter Pin, 3/32 x 3/4	2
26	1735811	Support Bracket	1	75	1727026	Transfer Lever	1
27	1186327	Flange Whiz Lock Screw, 5/16-18 x 1/2.	4	76	● 1185460	Lock Nut, No. 10-24	8
28	● 1100349	Cotter Pin, 1/8 x 3/4	1	77	1185831	Shim Washer.	As Req'd.
29	● 1107383	Flat Washer, 3/8	4	78	1720872	Spacer Hub	1
30	● 1100243	Lockwasher, 3/8	4	79	● 1100351	Cotter Pin, 1/8 x 1-1/4.	1
31	1725301	Wheel Disc. <i>L.H.</i>	1	80	1185808	Ball Bearing	2
32	1186391	Flange Nut, 5/16-18.	3	81	1720861	Sprocket, 9T	1
33	1185830	Special Washer	As Req'd.	82	1890234	Flat Washer, 1/2	1
34	1735747	Bearing Plate	1	83	● 1110152	Lock Nut, 1/2-20	2
35	1736148	Axle Assy.	1	84	1727290	Spring Hook	1
36	1736595	Axle Shaft	1	85	1727011	Extension Spring.	1
37	1735748	Axle Shaft	1	86	309816	Flat Washer, 7/8	2
38	● 1111601	Hex Screw, 1/4-20 x 1-3/4	1	87	1735817	Sleeve Bearing.	1
39	1715927	Clevis	1	88	1735818	Sleeve Bearing.	1
40	1718086	Valve Stem.	2	89	1708550	Flat Washer	1
41	1725301 <i>1735301</i>	Wheel Disc. <i>R.H.</i>	1	90	1185649	Retaining Ring	1
42	1725302	Tire 13-5.00 x 6	2	91	1719349	Retaining Pin	1
43	1739034	Flange Bearing	2	92	1716223	Lug Bolt	3
44	● 1110106	Lock Nut, 1/4-20	1	93	1736238	Gear, 48T	1
45	1720870	Bracket Pin	1	94	● 1110107	Lock Nut, 5/16-18.	6
46	1727049	Fork Shaft.	1	95	● 1111606	Hex Screw, 5/16-18 x 2	4
47	● 1100350	Cotter Pin, 1/8 x 1.	3	96	1730528	Spacer.	4
48	● 1100044	Capscrew, 5/16-18 x 3/4.	4	97	1735861	Differential Assy.	1
49	1713233	Washer, Flat Special.	1	98	● 1100352	Cotter Pin, 1/8 x 1-1/2.	1
				99	1730483	Roll Pin, 3/16 x 1	1
				100	1739039	Stop Ass'y (4).	2

Common Hardware - purchase locally (Grade 5 where applicable)

*Purchase Parts from your Tecumseh, Lauson-Power Products Outlet

(3) Serial Number 0300101 thru 0399999

(4) Serial Number 0400101 and later

BOLENS 26 INCH SNOW THROWER

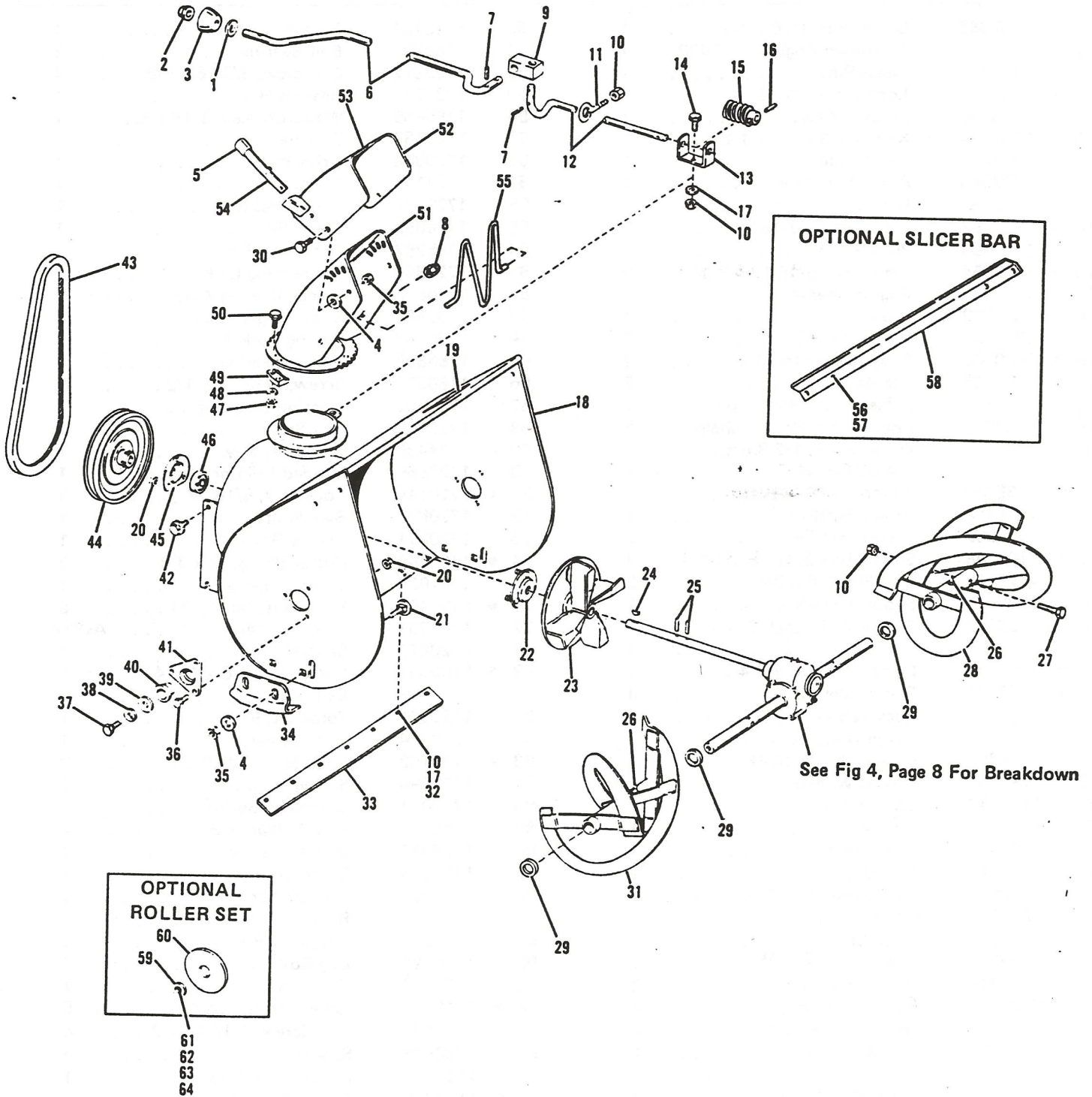


Figure 3 BLOWER HOUSING ASSEMBLY

REF. NO.	PART NO.	DESCRIPTION	NO. REQ'D.	REF. NO.	PART NO.	DESCRIPTION	NO. REQ'D.
1	1890945	Flat Washer, 3/8	1	37 ●	1100053	Hex Head Capscrew, 1/2-13 x 3/4	2
2	1710146	Cap, Push On	1	38 ●	1100245	Lockwasher, 1/2	2
3	1735868	Knob	1	39 ●	1100257	Flat Washer, 1/2	2
4 ●	1107383	Flat Washer, 3/8	6	40	1185846	Flange Bushing	2
5	1730214	Grip	1	41	1720922	Bearing Support	2
6	1736691	Chute Control Crank	1	42	1185798	Flange Whiz Lock Screw, 3/8-16 x 1/2	2
7	1177625	Roll Pin, 1/8 x 3/4.	4	43	1725253	V-Belt, 34"	1
8	1186048	Push Nut	2	44	1725282	Auger Sheave	1
9	1714782	Swivel Block.	1	45	1734735	Flange Bearing	1
10 ●	1110107	Lock Nut, 5/16-18.	9	46	1185809	Ball Bearing	1
11	1725199	Eye Bolt	1	47	1185985	Keps Nut, No. 10-24	6
12	1730549	Chute Control Shaft.	1	48 ●	1103959	Flat Washer, No. 10	As Req'd.
13	1735869	Gear Support	1	49	1724869	Clip	3
14 ●	1100044	Hex Head Capscrew, 5/16-18 x 3/4.	1	50 ●	1185130	Hex Head Sems Machine Screw, No. 10-24	6
15	1724870	Worm, 6 Thread, L.H.	1	51	1724867	Duct Assembly	1
16	1724885	Drive Pin, 3/32 x 3/4	1	52	1723746	Deflector Cap	1
17 ●	1107382	Flat Washer, 5/16	6	53	1735924	Decal (Caution).	1
18	1735878	Housing.	1	54	1723643	Adjusting Lever.	1
19	1735925	Decal (Warning)	1	55	1722501	Guard, Chute	1
20 ●	1110106	Lock Nut, 1/4-20	9	NI	1723284	Grease Gun	
21 ●	1186126	Carriage Bolt, 3/8-16 x 3/4	4	NI	1723479	Grease, Multi-purpose	
22	1734872	Bearing Flange	1				
23	1720785	Fan.	1				
24	1104436	Woodruff Key, 3/16 x 3/4.	1				
25	1185348	Roll Pin, 1/4 x 1-1/4	2				
26	1185803	Grease Fitting.	4				
27	1720867	Shear Bolt	2	56 ●	1110107	Lock Nut, 5/16-18.	2
28	1735112	Auger, Left Hand	1	57 ●	1106874	Capscrew, 5/16-18 x 3/4.	2
29	1185816	Special Washer, 1-1/64 Diameter	6	58	1715427	Drift Slicer.	1
30 ●	1103212	Hex Head Capscrew, 3/8-16 x 5/8	2				
31	1735113	Auger, Right Hand.	1	59	1708754	Spacer.	2
32	1712059	Carriage Bolt, 5/16-18 x 1/2.	5	60	1716972	Roller	2
33	1720885	Scraper Blade	1	61 ●	1100243	Lockwasher, 3/8	2
34	1728567	Runner	2	62 ●	1100256	Flat Washer, 3/8	6
35 ●	1110108	Lock Nut, 3/8-16	6	63 ●	1103840	Hex Nut, 3/8-16	2
36 ●	1111599	Hex Head Capscrew, 1/4-20 x 5/8	6	64 ●	1106919	Capscrew, 3/8-16 x 1	2

● Common Hardware - purchase locally (Grade 5 where applicable)

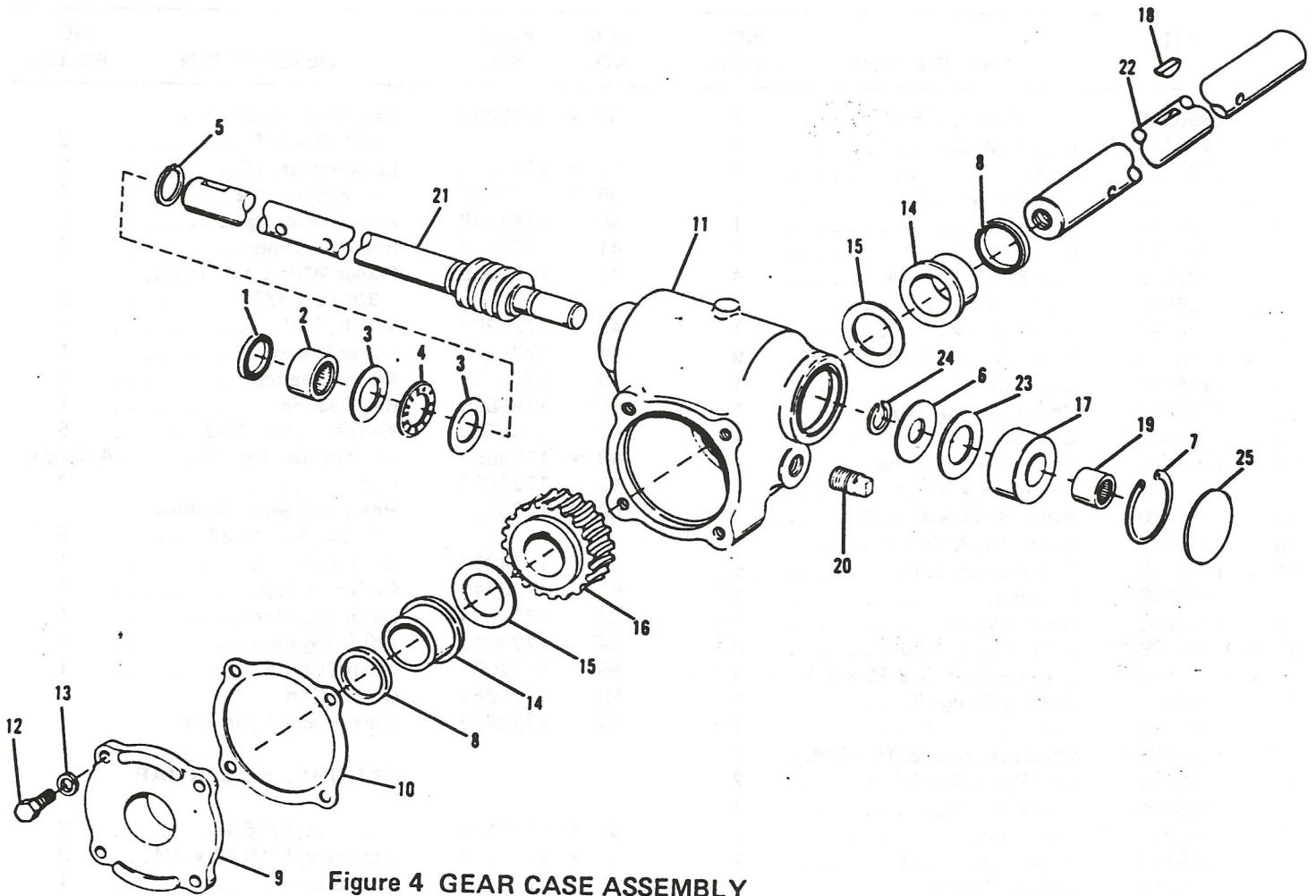


Figure 4 GEAR CASE ASSEMBLY

REF. NO.	PART NO.	DESCRIPTION	NO. REQ'D.	REF. NO.	PART NO.	DESCRIPTION	NO. REQ'D.
1	1185224	Oil Seal	1	15	1185815	Thrust Race	2
2	1185374	Needle Bearing	1	16	1720933	Worm Gear, 20T	1
3	1185841	Thrust Race	2	17	1720763	Spacer	1
4	1185431	Thrust Bearing	1	18	1100276	Woodruff Key, 1/4 x 7/8 . .	1
5	1185649	Retaining Ring	1	19	1185568	Needle Bearing	1
6	1185842	Washer	1	20	1105620	Square Head Plug, 1/4-18 NPT	1
7	1118726	Retaining Ring, Internal . . .	1	21	1735706	Impeller Shaft	1
8	1185266	Oil Seal	2	22	1720894	Auger Shaft	1
9	1720910	Gear Case Cover	1	23	1185840	Thrust Race	1
10	1720941	Cover Gasket	1	24	1185843	Retaining Ring, External . . .	1
11	1735894	Gear Case Only	1	25	1112634	Expansion Plug	1
12	• 1111599	Capscrew, 1/4-20 x 5/8. . . .	4	NI	1723456	Gear Lube, EP 90	
13	• 1100241	Lockwasher, 1/4	4				
14	1185728	Flange Bearing	2				

• Common Hardware - purchase locally (Grade 5 where applicable)