

BOLENS

**HUSKY
TRACTOR
MODELS
730-01 & 733-01**

ILLUSTRATED PARTS CATALOG



BOLENS

PORT WASHINGTON, WISCONSIN, U.S.A.

PRINTED IN U.S.A.

FORM NO. P-552018 7-69

MODELS 730-01 & 733-01

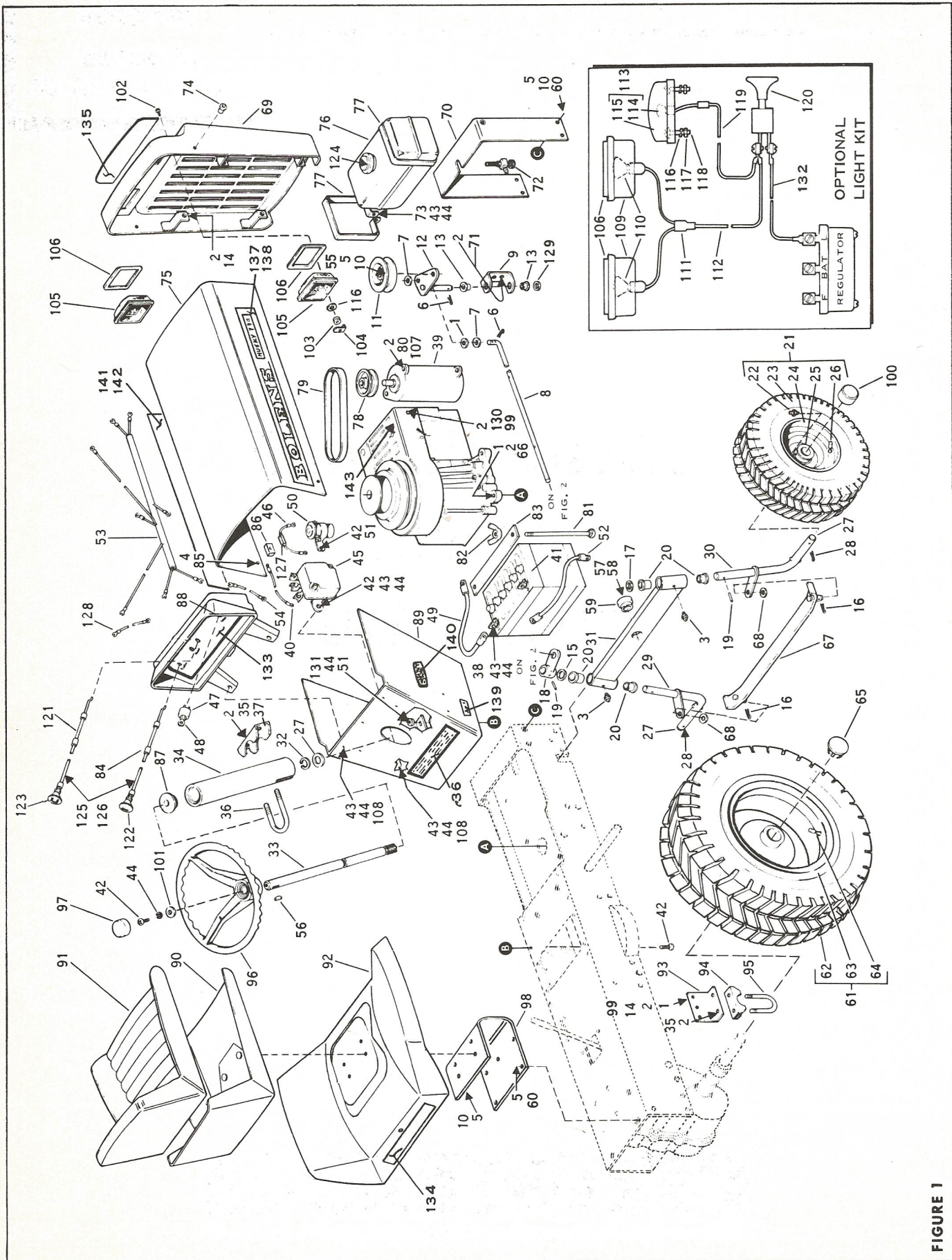


FIGURE 1

MODELS 730-01 & 733-01 (See Figure 1)

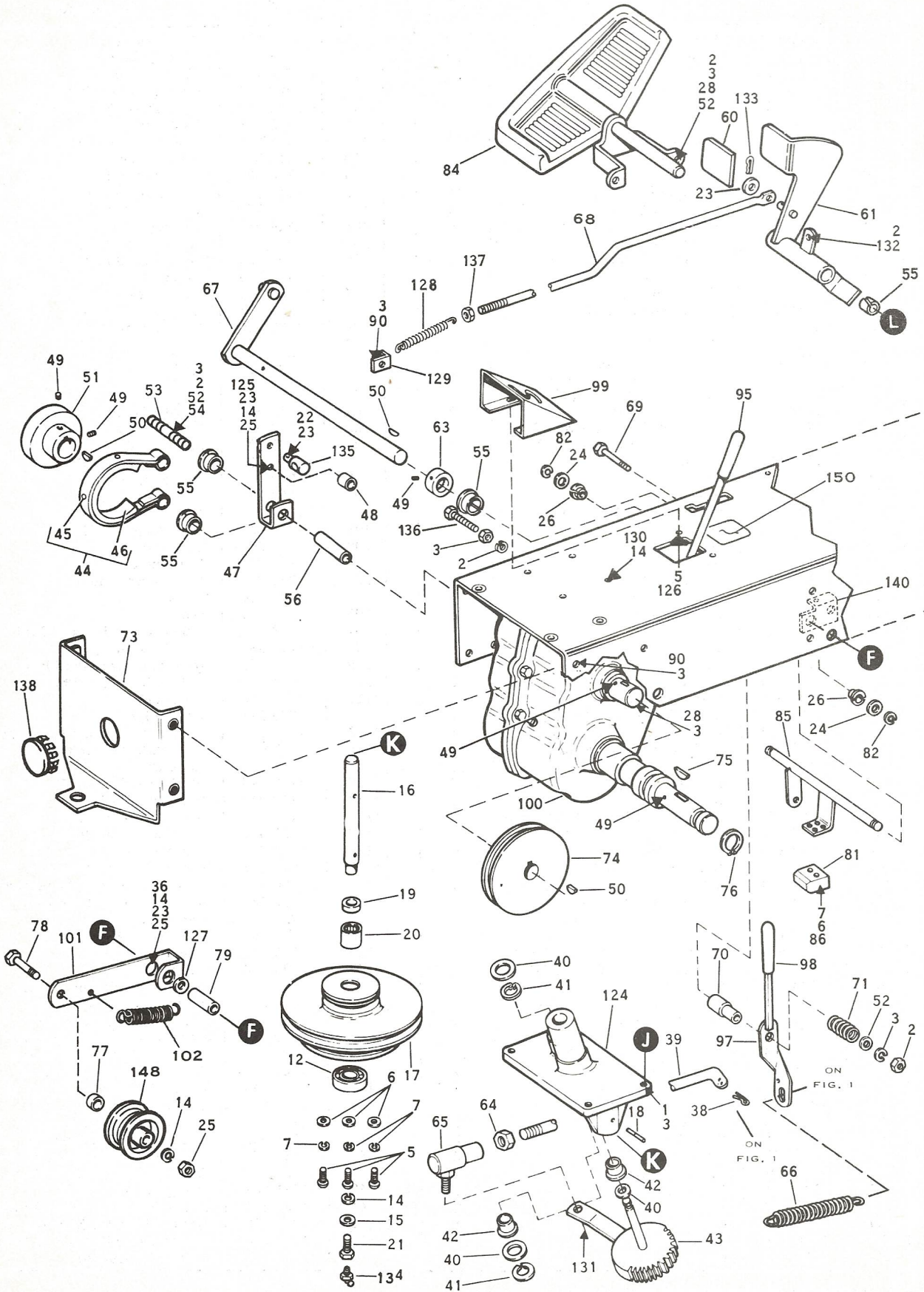
Ref. No.	Part No.	Description	No. Req'd
1	1182 563	Hex Nut 5/15-18	8
2	1100 242	Lockwasher 5/16	19
3	1104 954	Grease Fitting	2
4	1103 959	Flat Washer #10	2
5	1100 243	Lockwasher	18
6	1100 356	Cotter Pin 3/32 x 1	5
7	1107 383	Flat Washer 3/8	2
8	1720 123	PTO Rod	1
9	1720 115	PTO Support	1
10	1121 509	Hex Nut 3/8-16	14
11	1713 803	Idler Pulley	1
12	1719 927	PTO Arm	1
13	1715 716	Nylon Bushing	2
14	1106 874	Capscrew 5/16-18 x 3/4	10
15	1107 385	Flat Washer 1/2	2
16	1100 350	Cotter Pin 1/8 x 1	3
17	1718 120	Flat Washer R. H. Side	1
18	1719 933	Steering Arm	1
19	1185 348	Roll Pin 1/4 x 1-1/4	2
20	1185 386	Flanged Bearing	4
21	1721 390	Wheel & Tire Assy Frt. Inc Ref #22, 23, 24, 25, 26	2
22	1718 088	Grease Fitting	2
23	1717 594	Tire Tubeless 13 x 500-6	2
24	1721 393	Wheel (Includes Ref #25)	2
25	1720 327	Bushing	4
26	1718 086	Valve Stem	2
27	1700 821	Flat Washer 3/4	5
28	1185 096	Cotter Pin 3/16 x 1-1/4	2
29	1719 954	Spindle L. H.	1
30	1719 955	Spindle R. H.	1
31	1719 936	Front Axle	1
32	1185 649	Retaining Ring	1
33	1720 159	Steering Shaft	1
34	1720 125	Steering Column	1
35	1109 528	Hex Nut 5/16-24	6
36	1720 150	U-Bolt	1
37	1720 151	Saddle Clamp	1
38	1106 834	Capscrew 1/2-20 x 3/4	2
*39	1720 470	Starter-Generator	1
*40	1720 154	Lead (Solenoid to Gen)	1
*41	1716 072	Battery 12 Volt 32 Amp.	1
42	1115 927	Phillips Screw 1/4-20 x 1/2	5
43	1121 507	Hex Nut 1/4	11
44	1100 241	Lockwasher 1/4	16
*45	1708 287	Regulator	1
*46	1720 977	Lead Fuse Holder (Sol to Reg)	1
47	1717 255	Ignition Switch (Inc Ref 48)	1
48	1718 266	Ignition Key Only	1
*49	1720 155	Lead (Sol to Batt)	1
*50	1709 173	Solenoid	1
51	1185 456	Tinnerman Nut 1/4	6
*52	1720 157	Lead (Batt to Ground)	1
*53	1720 145	Wiring Assy	1
54	1717 588	Switch Ground (Manual Start)	1
55	1106 930	Capscrew 3/8-16 x 1-3/4	1
56	1104 436	Woodruff Key 3/16 x 3/4	1
57	1100 065	Capscrew 1/2-13 x 1-3/4	1
58	1185 496	Jam Nut 1/2-13	1
59	1720 111	Axle Pivot	1
60	1106 917	Capscrew 3/8-16 x 7/8	11
61	1721 391	Wheel & Tire Assy Rear (Inc 62-63-64)	2
62	1720 164	Tire Tubeless 20 x 8:00 x 10	2
63	1721 392	Wheel Only	2
64	1715 855	Valve Stem	2
65	1720 117	Button Plug	2
66	1100 799	Capscrew	4
67	1719 941	Tie Rod	1
68	1705 092	Flat Washer 5/8	2
69	1720 179	Grille	1
70	1720 176	Tank Mount	1
71	1106 872	Capscrew 5/16-18 x 5/8	2

Ref. No.	Part No.	Description	No. Req'd
72	1718 029	Tank Outlet	1
73	1185 027	Screw 1/4-20 x 2	2
74	1720 184	Flip Grommet	2
75	1720 174	Hood (Without Decals)	1
76	1720 286	Fuel Tank (Inc Ref #124)	1
77	1715 703	Tank Strap	2
*78	1713 855	Generator Pulley	1
*79	1713 533	V Belt-Gen	1
80	1110 107	Lock Nut 5/16	2
*81	1111 260	Carriage Bolt 1/4-20 x 7	2
*82	1709 652	Wing Nut 1/4	2
*83	1714 619	Battery Clamp	1
84	1720 121	Speed Control Assy Ref #122)	1
85	1185 555	Self Threading Screw	2
86	1720 146	Block	2
87	1720 134	Nylon Bearing	1
88	1719 982	Instrument Panel	1
89	1721 195	Rear Panel	1
90	1717 351	Seat Pan	1
91	1721 647	Seat Pad	1
92	1717 221	Fender	1
93	1720 116	Axle Support	2
94	1719 694	Saddle Clamp	2
95	1719 695	U-Bolt	2
96	1720 192	Steering Wheel	1
97	1720 193	Steering Wheel Cap	1
98	1720 124	Seat Support	1
99	1100 255	Flat Washer 5/16	5
100	1714 213	Cap	2
101	1716 233	Flat Washer 1/4	1
102	1185 680	Screw 10-32	4
103	1109 845	Hex Nut 10-32	4
104	1720 219	Hold Down Clip	4
105	1720 220	Lens	2
106	1720 223	Gasket	2
107	1103 202	Capscrew 5/16-18 x 2 HT	2
108	1107 381	Flat Washer 1/4	AR
*109	1720 221	Reflector Assy Inc #110	2
*110	**	Bulb (Mfg No. 1195)	2
*111	1720 226	Connector	1
*112	1720 224	Lead Wire	1
*113	1717 597	Taillight Assy Inc #114, 115	1
*114	**	Bulb (Mfg No. 1889)	2
*115	1718 234	Lens Only	1
*116	1100 240	Washer #10	6
*117	1109 845	Hex Nut #10-32	2
*118	1114 755	Screw #10-32 x 5/8.	2
*119	1720 457	Lead Wire and Plate	1
*120	1717 256	Light Switch	1
*121	1720 751	Choke Control Assy (Inc 123)	1
122	1720 725	Knob and Wire Only (Speed Cont)	1
*123	1720 724	Knob and Wire Only (Choke)	1
124	1718 756	Cap Only	1
125	1100 197	Jam Nut 3/8-24	2
126	1100 243	Lockwasher 3/8	2
*127	1720 976	Fuse	1
*128	1717 370	Lead (IGN. Switch to Sol)	1
129	1890 234	Flat Washer 1/2	1
130	1103 195	Screw 5/16-18 x 5/8 HT	1
131	1100 805	Capscrew 1/4-20 x 3/4 HT	4
*132	1720 225	Lead - Light Switch to Reg	1
133	1721 652	Decal (Instrument Panel)	1
134	1721 648	Decal (Bolens)	1
135	1721 649	Decal (Husky)	1
136	1721 203	Decal (Operating Inst.)	1
137	1721 655	Decal (Hood RH Mod 730 Only)	1
138	1721 978	Decal (Hood RH Mod 733 Only)	1
139	1721 271	Decal (Decal Park Brake)	1
140	1721 657	Decal (6 Speed)	2
141	1721 656	Decal (Hood LH Mod 730 Only)	1
142	1721 979	Decal (Hood LH Mod 733 Only)	1
143	1106 830	Capscrew 1/4-20 x 1/2 (For Mtg Belt Guard)	1

* Denotes use on electric start models only.

** Not Stocked. Purchase from your local automotive or electrical supplier.

MODELS 730-01 & 733-01



MODELS 730-01 & 733-01

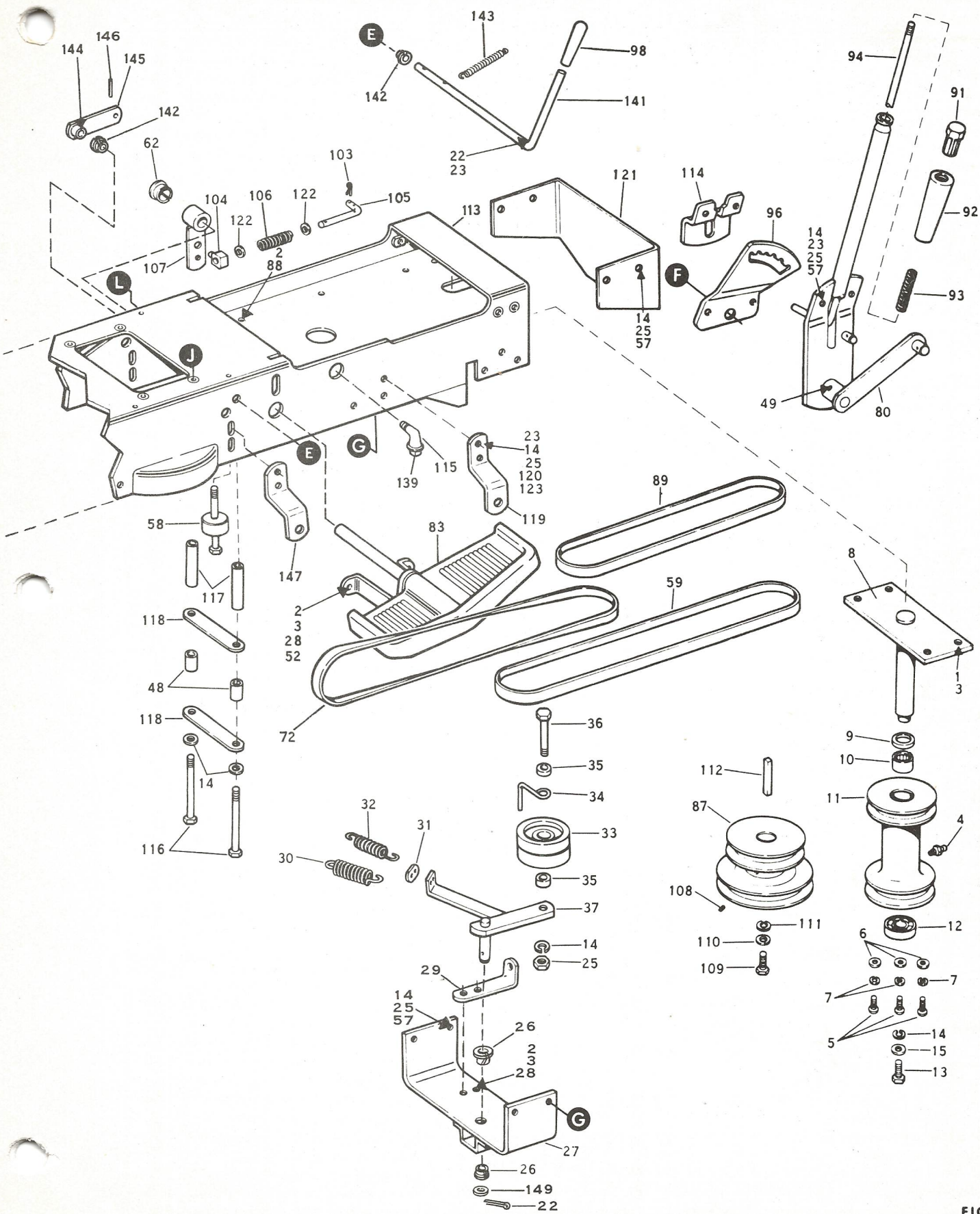


FIGURE 2

MODELS 730-01 & 733-01 (See Figure 2)

Ref. No.	Part No.	Description	No. Req'd.
1	1106 880	Capscrew 5/16-18 x 1-1/8	8
2	1182 563	Hex Nut 5/16-18	13
3	1100 242	Lockwasher 5/16	27
4	1104 954	Grease Fitting	2
5	1100 115	Screw, Rd Hd 10-24 x 1/2	8
6	1103 959	Flat Washer #10	8
7	1100 240	Lockwasher #10	8
8	1719 947	PTO Shaft	1
9	1185 266	Seal	1
10	1187 181	Needle Bearing	1
11	1720 169	PTO Sheave	1
12	1120 502	Ball Bearing	2
13	1111 709	Capscrew 3/8-24 x 7/8	1
14	1100 243	Lockwasher	22
15	1893 445	Flat Washer 3/8	2
16	1720 118	Shaft	1
17	1720 172	Sheave (Drive)	1
18	1185 220	Roll Pin 3/16 x 1-1/2	1
19	1185 224	Seal	1
20	1185 010	Needle Bearing	1
21	1719 331	Bolt, Special	1
22	1100 356	Cotter Pin 3/32 x 1	6
23	1107 383	Flat Washer 3/8	17
24	1890 234	Flat Washer 1/2	2
25	1121 509	Hex Nut 3/8-16	13
26	1715 716	Nylon Bushing	4
27	1719 951	Idler Support	1
28	1106 874	Capscrew 5/16-18 x 3/4	6
29	1720 152	Spring Mount	1
30	1700 401	Extension Spring	1
31	1720 149	Wear Link	1
32	1710 902	Extension Spring	1
33	1713 802	Idler Pulley	1
34	1720 188	Belt Guide	1
35	1716 778	Spacer	2
36	1106 934	Capscrew 3/8-16 x 2-1/4	2
37	1719 920	Clutch Arm	1
38	1100 350	Cotter Pin 1/8 x 1	3
39	1720 127	Drag Link	1
40	1700 821	Flat Washer 3/4	5
41	1185 649	Retaining Ring	2
42	1185 035	Flange Bearing	3
43	1719 944	Steering Gear	1
44	1719 913	Brake Band Inc #45 & 46	1
45	1704 673	Tubular Rivet	3
46	1712 775	Brake Lining	1
47	1721 080	Brake Arm	1
48	1720 344	Spacer	3
49	1182 554	Set Screw 5/16-18 x 5/16	10
50	1104 436	Woodruff Key 3/16 x 3/4	3
51	1720 122	Brake Drum	1
52	1100 255	Flat Washer 5/16	6
53	1721 341	Stud	1
54	1721 084	Flat Washer 5/8	1
55	1714 299	Nyliner	7
56	1720 135	Spacer	1
57	1106 917	Capscrew 3/8-16 x 7/8	6
58	1719 939	Belt Guide	1
59	1720 131	V-Belt 44" (Engine Drive)	1
60	1721 419	Pedal Pad	1
61	1721 417	Clutch Pedal	1
62	1721 176	Nyliner	1
63	1705 280	Set Collar	1
64	1103 926	Jamnut 1/2 x 20	1

Ref. No.	Part No.	Description	No. Req'd.
65	1713 361	Ball Joint	1
66	1703 615	Extension Spring PTO	1
67	1720 141	Lift Shaft	1
68	1721 081	Brake Link	1
69	1106 893	Capscrew 5/16-18 x 2-1/2	1
70	1720 153	Spacer	1
71	1712 569	Compression Spring	1
72	1715 942	V-Belt 46-13/16 (Differential Drive)	1
73	1720 101	Hitch	1
74	1719 976	Sheave (Trans.)	1
75	1720 719	Woodruff Key 1/4 x 7/8	2
76	1118 554	Retaining Ring	2
77	1714 665	Spacer	1
78	1106 932	Capscrew 3/8-16 x 2	1
79	1720 114	Spacer	1
80	1720 144	Lift Lever	1
81	1720 189	Brake Lining	1
82	1118 804	Retaining Ring	2
83	1721 032	Foot Rest R. H.	1
84	1721 083	Foot Rest L. H.	1
85	1719 923	Brake Shaft	1
86	1100 135	Screw, Slotted 10-24 x 1	2
87	1720 129	Sheave-Engine	1
88	1100 799	Capscrew	1
89	1720 726	V-Belt 33" (PTO)	1
90	1106 872	Capscrew 5/16-18 x 5/8	4
91	1714 644	Tool Lift Plunger	1
92	1715 575	Tool Lift Grip	1
93	1713 075	Compression Spring	1
94	1720 133	Lift Lever Rod	1
95	1718 534	Hand Grip	1
96	1720 136	Lift Quadrant	1
97	1719 959	PTO Lever	1
98	1715 685	Hand Grip	2
99	1720 162	Shift Quadrant	1
100		Transaxle Assy See Fig. #3	1
101	1720 126	Idler Arm	1
102	1720 218	Extension Spring	1
103	1185 147	Cotter Pin 3/32 x 5/8	5
104	1720 147	Swivel	1
105	1720 148	Brake Link	1
106	1713 781	Compression Spring	1
107	1721 027	Clutch Arm	1
108	1103 470	Set Screw 5/16-18 x 1/2	2
109	1107 213	Capscrew 7/16-20 x 1	1
110	1100 265	Flat Washer 7/16	1
111	1100 244	Lockwasher 7/16	1
112	1187 474	Square Key 1/4 x 2-1/4	1
113	1721 090	Frame	1
114	1720 195	Support	1
115	1105 029	Elbow 90° 3/8 NPT	1
116	1106 950	Capscrew 3/8-16 x 4-1/2	2
117	1720 345	Spacer	2
118	1720 343	Belt Guide	2
119	1719 730	Bracket Front	2
120	1106 923	Capscrew 3/8-16 x 1-1/4	2
121	1720 539	Pulley Guard	1
122	1107 381	Flat Washer 1/4	AR
123	1106 919	Hex Hd Screw 3/8-16 x 1	6
124	1720 161	Steering Support	1
125	1106 927	Capscrew	1
126	1185 435	Tinnerman Nut 3/16	2
127	1706 427	Spacer	1

SEE ABOVE NEXT PAGE

MODELS 730-01 & 733-01 (See Figure 2)

Ref. No.	Part No.	Description	No. Req'd
128	1720 928	Ext. Spring Brake	1
129	1713 686	Bracket	1
130	1106 913	Capscrew 3/8-16 x 5/8	2
131	1110 152	Locknut 1/2-20	1
132	1106 876	Capscrew 5/16-18 x 7/8	2
133	1717 897	Spring Cotter	1
134	1110 086	Grease Fitting 45°	1
135	1714 663	Swivel	1
136	1106 888	Capscrew 5/16-18 x 2	1
137	1110 108	Lock Nut 3/8-16	1
138	1713 267	Button Plug	1
139	1105 678	Plug 3/8	1

Ref. No.	Part No.	Description	No. Req'd
140	1720 985	Spring, Bracket	1
141	1720 680	Lock Handle	1
142	1714 243	Nyliner	2
143	1701 495	Ext. Spring	1
144	1185 340	Roll Pin 1/8 x 7/8	1
145	1720 671	Lock Arm	1
146	1185 348	Roll Pin 1/4 x 1-1/4	1
147	1721 343	Bracket Rear	2
148	1713 803	Idler Pulley	1
149	1107 385	Flat Washer 1/2	1
150	1721 096	Decal (Shift Pattern)	1

PEERLESS TRANSAXLE MODEL 1207 (See Figure 3)

Ref. No.	Tecumseh Part No.	Part Name
1	784124	Lever & Housing Assy, Shift (Incl. Nos. 2 thru 7)
2	792016	Ring, Snap
3	792001	Ring, Quad
4	792002	Pin, Roll
5	784088	Housing, Shift lever
6	784094	Keeper, Shift lever
7	784125	Lever, Shift
8	784056	Rod Assy., Shift (Incl. Nos. 9 thru 12)
9	792003	Spring
10	792004	Ball, Steel
11	784004	Fork, Shifter
12	784057	Rod, Shifter
13	784054	Rod Assy., Shift (Incl. Nos. 9, 10, 11, 14 & 55)
14	784055	Rod, Shifter
15	774067	Axle, L.H.
15A	774068	Axle, R.H.
16	780042	Washer, Thrust
17	792020	Screw, Cap, 1/4-20 x 2-1/4
18	792006	Lockwasher, 1/4"
19	778033	Gear, Ring
20	786019	Pin, Drive
21	786027	Block, Drive
22	778014	Pinion, Bevel
23	776022	Pinion & Bushing Assy., Idler
25	776014	Shaft & Bearing Assy., Shifter (Incl. No. 26)
26	780018	Bearing
27	778037	Gear, Idler
28	776032	Shaft, Idler
29	784074	Stop, Shifter
30	788026	Gasket, Case-to-cover
31	788003	Gasket, Shift lever housing
32	778019	Gear, Shifting
33	778020	Gear, Shifting
34	778021	Gear, Spur (26 teeth)

Ref. No.	Tecumseh Part No.	Part Name
35	786014	Spacer
36	778022	Gear, Spur (22 teeth)
37	786015	Spacer
38	778023	Gear, Spur (16 teeth)
39	776027	Shaft, Input
40	778024	Spur gear, Input shaft
41	780001	Washer
42	786017	Spacer
43	778036	Gear, Output
44	778041	Pinion, Output
45	788008	Seal, Oil
46	782022	Housing & Bushing Assy., L.H. Axle (Incl. No. 51)
46A	782023	Housing & Bushing Assy., R.H. Axle (Incl. No. 51)
47	772045	Cover Assy., Transaxle (Incl. Nos. 57 & 58)
48	770033	Case Assy., Transaxle (Incl. Nos. 56 & 57)
49	792007	Screw, Socket hd. cap, 1/4-20 x 3/4
50	786026	Pin, Dowel
51	780054	Bushing
52	792010	Plug, Pipe
53	778039	Gear, Bevel
54	792018	Ring, Snap
55	792017	Ring, Snap
56	780011	Bearing
57	780013	Bearing
58	780055	Bearing
59	792012	Screw, Socket hd. set, 3/8-16 x 3/8
60	788009	Seal, Oil
64	776008	Shaft, Reverse idler
65	786008	Spacer, Reverse idler
66	778016	Idler, Reverse
68	780039	Bearing, Thrust
69	774029	Carrier, Differential
70	774028	Carrier, Differential

These parts not stocked by Bolens. Order from your local Tecumseh Products Co, Lauson-Power Products parts outlet.

PEERLESS TRANSAXLE MODEL 1207

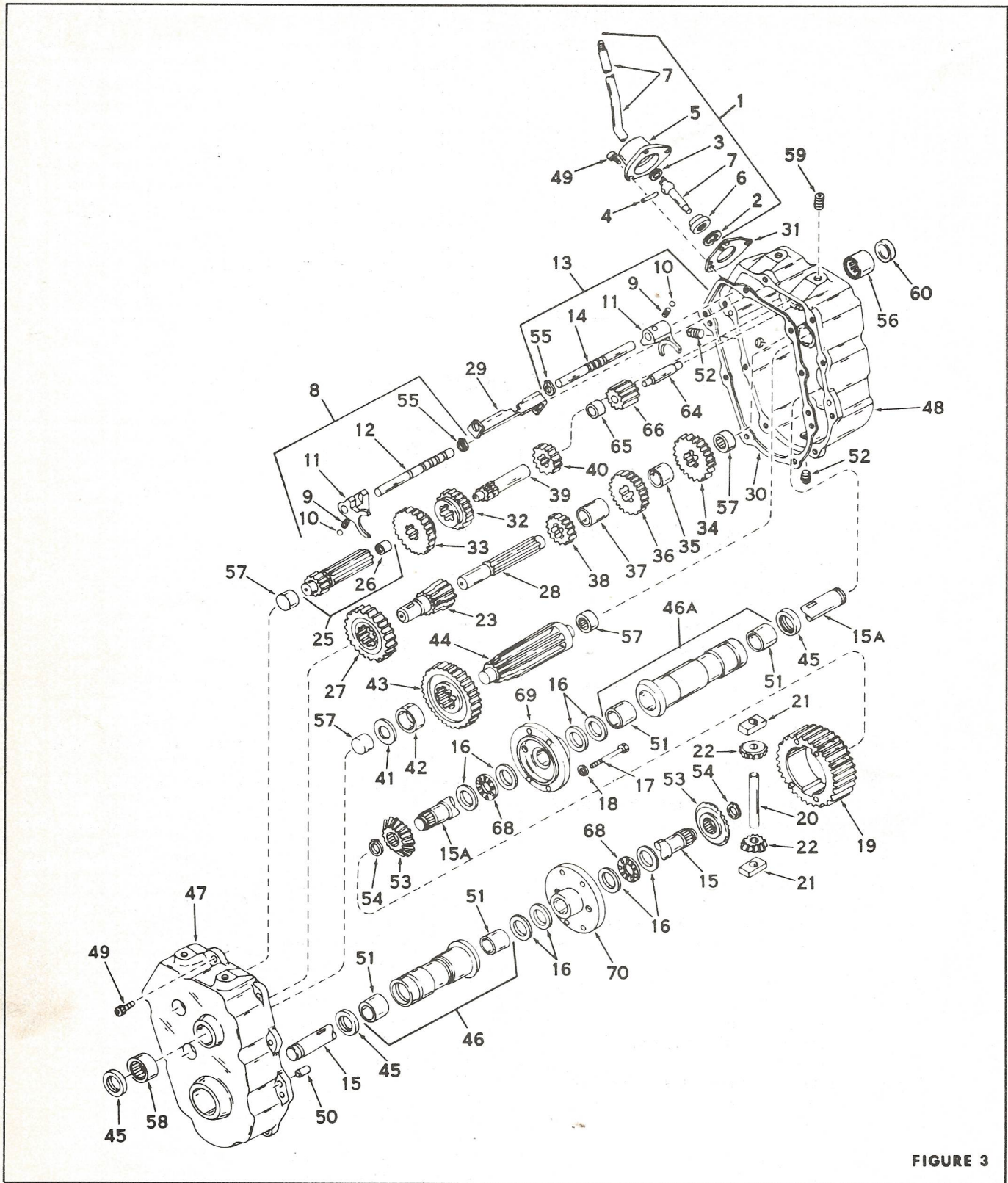


FIGURE 3



PORT WASHINGTON, WISCONSIN, U.S.A.