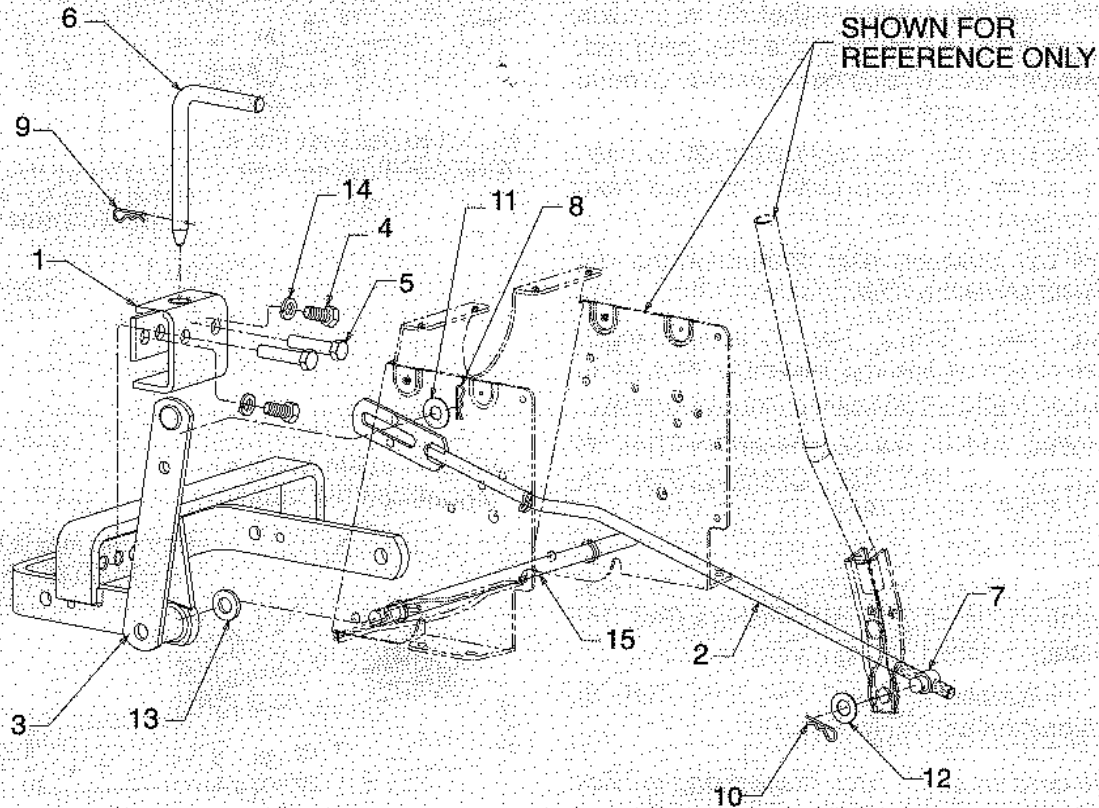


OPERATOR'S MANUAL

SLEEVE HITCH KIT

Model Number
190-760



PARTS LIST FOR SLEEVE HITCH MODEL 190-760

Ref. No.	Part No.	Qty.	Description
1	13269	1.000	BRKT ASM:HITCH
2	638-0015	1.000	ROD ASM:LIFT
3	689-0003	1.000	BRKT ASM:HITCH
4	710-0493	2.000	HHCS:1/2-13:1.00:GR2:STD
5	710-3104	2.000	HHCS:1/2-13:2.25:GR5:SPEC
6	711-0282	1.000	PIN:HITCH
7	711-0770	1.000	ADJUSTMNT FERRULE 1/2-13
8	714-0101	1.000	PIN:COT:INT .08 X 1.42
9	714-0117	1.000	PIN:COT:.148X3.0 INTERNAL
10	714-0145	1.000	PIN:COT:.092X1.63 INTERNAL
11	736-0100	1.000	FL-WASH .531 ID X 1.25 OD X .0
12	736-0187	1.000	FL-WASH .640 ID X 1.24 OD X .06
13	736-0531	1.000	WASH:FLAT:.635 X 1.24 X .181
14	736-0921	2.000	WASH:LOCK:1/2:REGULAR DUTY
15	738-0992	1.000	ROD:.625 X 16.94 LG

ASSEMBLY INSTRUCTIONS

(See Illustration on Reverse Side of Sheet)

1. Lift rear of tractor, place on blocks and remove R.H. rear wheel.
2. Remove hairpin clips from hitch rod on the tractor.
3. Remove hitch rod from tractor and replace with hitch rod included with kit.
4. Place the hitch bar assembly (Ref. 3) in position on the rear of the tractor over the new hitch rod. Upright welded bar on hitch bar assembly goes to the right side of tractor.
5. Secure the hitch bar assembly (Ref. 3) to hitch rod with hairpin clips previously removed from tractor's original hitch rod.
6. Place link rod assembly (Ref. 2) through the slot in right hand fender on tractor.
7. Place adjustment ferrule (Ref. 7) in lift handle. Secure front end of link rod assembly (Ref. 2) to lift handle on tractor by threading rod into ferrule.
8. Place slotted end of link rod assembly (Ref. 2) over weld pin of hitch bar assembly (Ref. 3). Secure with flat washer (Ref. 11) and hairpin clip (Ref. 8).
9. Fasten hitch bracket assembly (Ref. 1) to hitch bar assembly (Ref. 3) with lock washers (Ref. 14) and hex bolts 1" long (Ref. 4).
10. Thread adjustment screws 2 1/4" long (Ref. 5) into hitch bracket assembly (Ref. 1).

NOTE: The position of the hitch bracket on the hitch bar will be determined by which tractor attachment you wish to use. See Figure 1 and Figure 2.

11. Place hitch pin (Ref. 8) through hitch bracket and secure with hairpin clip (Ref. 9).
12. Replace R.H. rear wheel.

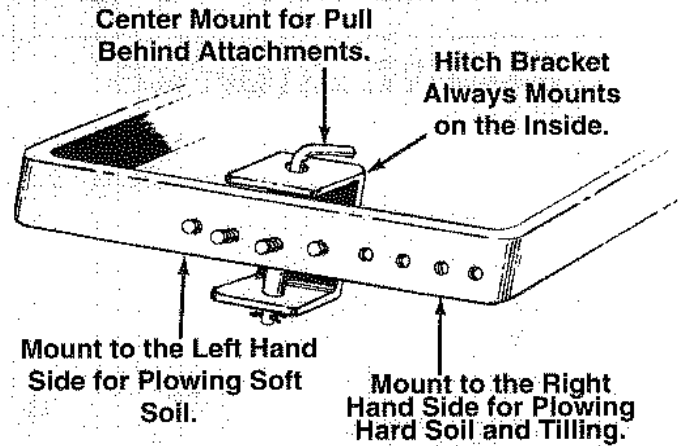


Figure 1

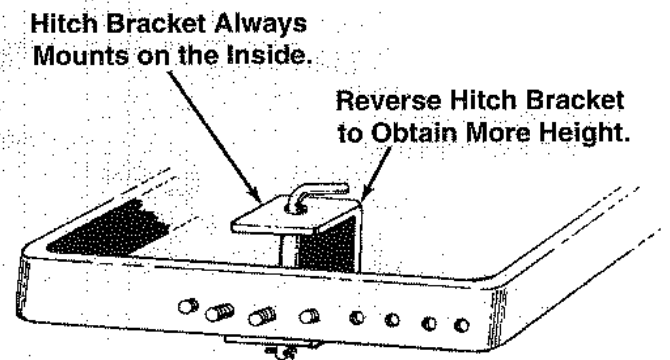


Figure 2