

TWIN BAG GRASS COLLECTOR MOUNTING KIT

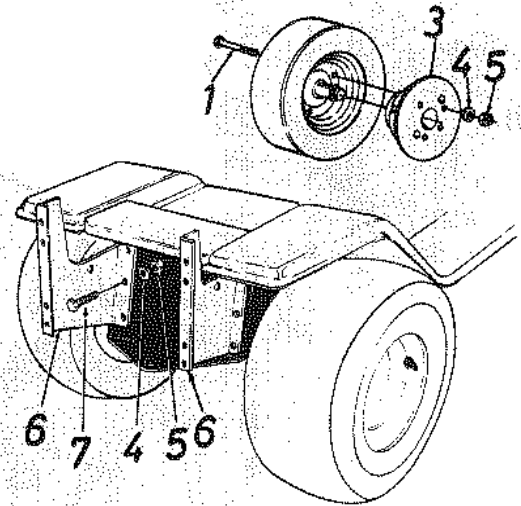
**Model Number
190-084-000**

Mounts the 063 Grass Collector to a 300 or 400 Series Front Engine Lawn Tractor with 32", 36" or 38" Deck

PARTS LIST FOR MODEL 084 GRASS COLLECTOR MOUNTING KIT

REF. NO.	PART NO.	DESCRIPTION	QTY.
1	710-0190	Hex Bolt 5/16-18 x 4" Lg.	4
3	723-0414B	Wheel Weight	2
4	736-0119	L-Wash. 5/16" I.D.*	12
5	712-0267	Hex Nut 5/16-18 Thd.*	12
6	16672A	Catcher Support Brkt.	2
7	710-0118	Hex Bolt 5/16-18 x .75" Lg.*	6

* For faster service obtain standard nuts, bolts and washers locally. If these items cannot be obtained locally, order by part number and size as shown on parts list.

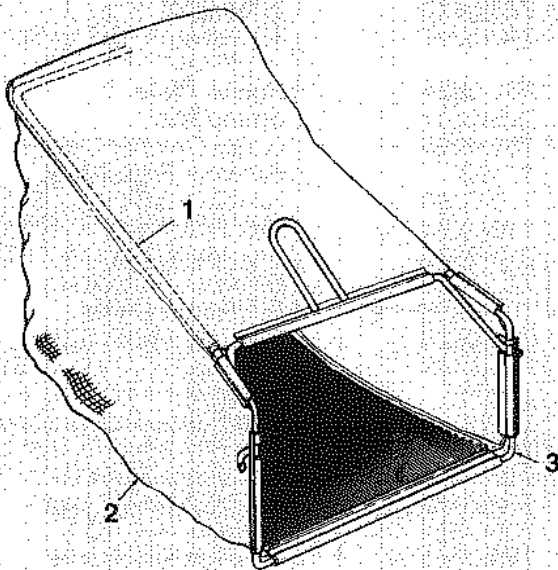


GRASS CATCHER

Model Numbers

190-088-000 (for 21" Mower)

190-098-000 (for 19" Mower)



PARTS LIST FOR MODELS 088 AND 098 GRASS CATCHERS

REF. NO.	Model 088 (21" Mower) Part No.	Model 098 (19" Mower) Part No.	DESCRIPTION
1	764-0310	764-0325	Rear Catcher Frame
2	764-0309	764-0446	Grass Bag
3	764-0311	764-0326	Front Catcher Frame

NOTE: Specifications subject to change without notice or obligation.