

Snow Thrower

Model 625

Bolens

Serial Number 0100101
thru 0299999

Parts List

FORM P552967-1 (12/77)
SUPERSEDES P552967

BOLENS 24 INCH SNOW THROWER

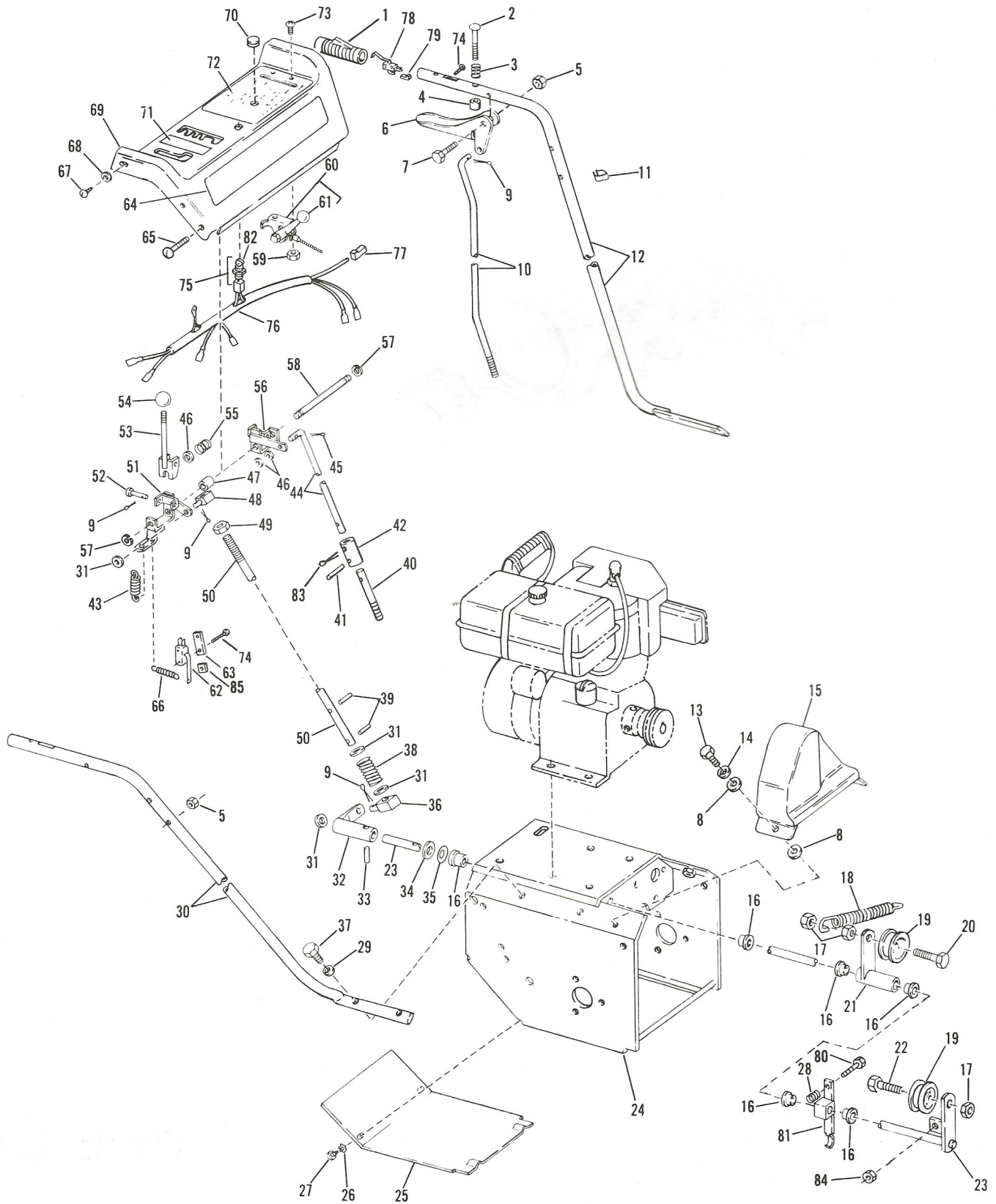


Figure 1 TRIM, CONTROL AND FRAME ASSEMBLY

REF. NO.	PART NO.	DESCRIPTION	NO. REQ'D.	REF. NO.	PART NO.	DESCRIPTION	NO. REQ'D.
1	1729210	Handle Grip	2	45	● 1100349	Cotter Pin, 1/8 x 3/4	1
2	● 1186080	Carriage Bolt, 1/4-20 x 3 (1)	1	46	● 1107383	Flat Washer, 3/8	3
3	1720884	Compression Spring (1)	1	47	1725196	Spacer	1
4	1727167	Stop Collar (1)	1	48	1725264	Swivel Block	1
5	● 1110106	Hex Locknut, 1/4-20	5	49	● 1186230	Hex Nut, 5/16-18	1
6	1715131	Clutch Handle (1)	1	50	1725267	Auger Control Rod	1
	1732537	Clutch Handle (2)	1	51	1728160	Pivot Arm	1
7	● 1100811	Hex Head Capscrew, 1/4-20 x 1-1/2	1	52	1724760	Clevis Pin	2
8	● 1107381	Flat Washer, 1/4	4	53	1725157	Control Lever	2
9	● 1100346	Cotter Pin, 3/32 x 3/4	5	54	1715817	Knob	2
10	1727050	Clutch Control Rod (1)	1	55	1723367	Compression Spring	2
	1732538	Clutch Control Rod (2)	1	56	1727029	Pivot Arm	1
11	149925	Cable Clip	1	57	1185257	Retaining Ring	2
12	1730259	Left Hand Handle (1)	1	58	1725195	Pivot Shaft	1
	1732539	Left Hand Handle (2)	1	59	1185985	External Lockwasher Nut, No. 10	2
13	● 1100805	Hex Head Capscrew, 1/4-20 x 3/4	2	60	1725297	Throttle Control (Incl. Ref. No. 61)	1
14	● 1100241	Lockwasher, 1/4	2	61	1724527	Control Knob	1
15	1725128	Belt Guard	1	62	1728199	Interlock Switch	1
16	1715716	Bushing	6	63	1725551	Switch Plate (1)	1
17	1185506	Self Locking Jam Nut, 3/8-16	3	64	1730642	(Logo) Decal	1
18	1725263	Extension Spring	1	65	● 1115987	Round Head Machine Screw, 1/4-20 x 1-1/2	4
19	1720936	Idler	2	66	1725826	Extension Spring	1
20	● 1100086	Hex Head Capscrew, 3/8-16 x 1-3/4	1	67	1185549	Thread Cutting Screw, No. 10-24 x 5/8	2
21	1730261	Idler Arm	1	68	● 1103959	Flat Washer, No. 10	2
22	● 1100043	Hex Head Capscrew, 3/8-16 x 1-1/4	1	69	1730185	Console	1
23	1728163	Idler Arm	1	70	1185585	Flip Grommet	1
24	1727060	Frame Assembly	1	71	1728332	(Auger Drive) Decal	1
25	1725149	Bottom Cover	1	72	1728333	(Instructions) Decal (1)	1
26	1185489	Shakeproof Washer, No. 10	2		1722614	(Instructions) Decal (2)	1
27	1185750	Self Drilling Screw, No. 10-24 x 1/2	2	73	● 1115815	Round Head Phillips Screw, No. 10-24 x 5/8	2
28	1807317	Compression Springs	1	74	● 1725552	Thread Cutting Screw, No. 4-40 x 3/4	4
29	● 1100243	Lockwasher, 3/8	4	75	1727321	Ignition Switch (Incl. Ref. 82)	1
30	1730186	Right Hand Handle	1	76	1730552	Wiring Harness	1
31	● 1107382	Flat Washer, 5/16	4	77	1721038	Connector	1
32	1728167	Control Arm	1	78	1728198	Interlock Switch	2
33	1185389	Drive Pin, 5/32 x 3/4	1	79	1727800	Connector	4
34	1890234	Flat Washer, 1/2	1	80	● 1100799	Hex Head Capscrew, 5/16-18 x 1-1/2 (1)	1
35	1706782	Bowed Washer	1		● 1100808	Hex Head Capscrew, 5/16-18 x 1-1/4 (2)	1
36	1725265	Swivel Block	1	81	1730264	Brake Arm Assembly	1
37	● 1100068	Hex Head Capscrew, 3/8-16 x 3/4 (1)	4				
	● 1100046	Hex Head Capscrew, 3/8-16 x 1 (2)	4	83	● 1100350	Cotter Pin, 1/8 x 1	1
38	1713781	Compression Spring	1	84	● 1110107	Locknut, 5/16-18	1
39	1724885	Drive Pin, 3/32 x 3/4	2	85	1727777	Speed Nut (2)	1
40	1727159	Shift Rod Extension	1	NI	1735224	Antic Gold Spray Paint	
41	1177625	Roll Pin, 1/8 x 3/4	1	NI	1735222	Black Spray Paint	
42	1721782	Coupling	1				
43	1728258	Extension Spring	1				
44	1727024	Speed Control Rod	1				

● Common Hardware - Purchase Locally (Grade 5 where applicable).

(1) Serial Numbers 0100101 thru 0199999

(2) Serial Numbers 0200101 and up

BOLENS 24 INCH SNOW THROWER

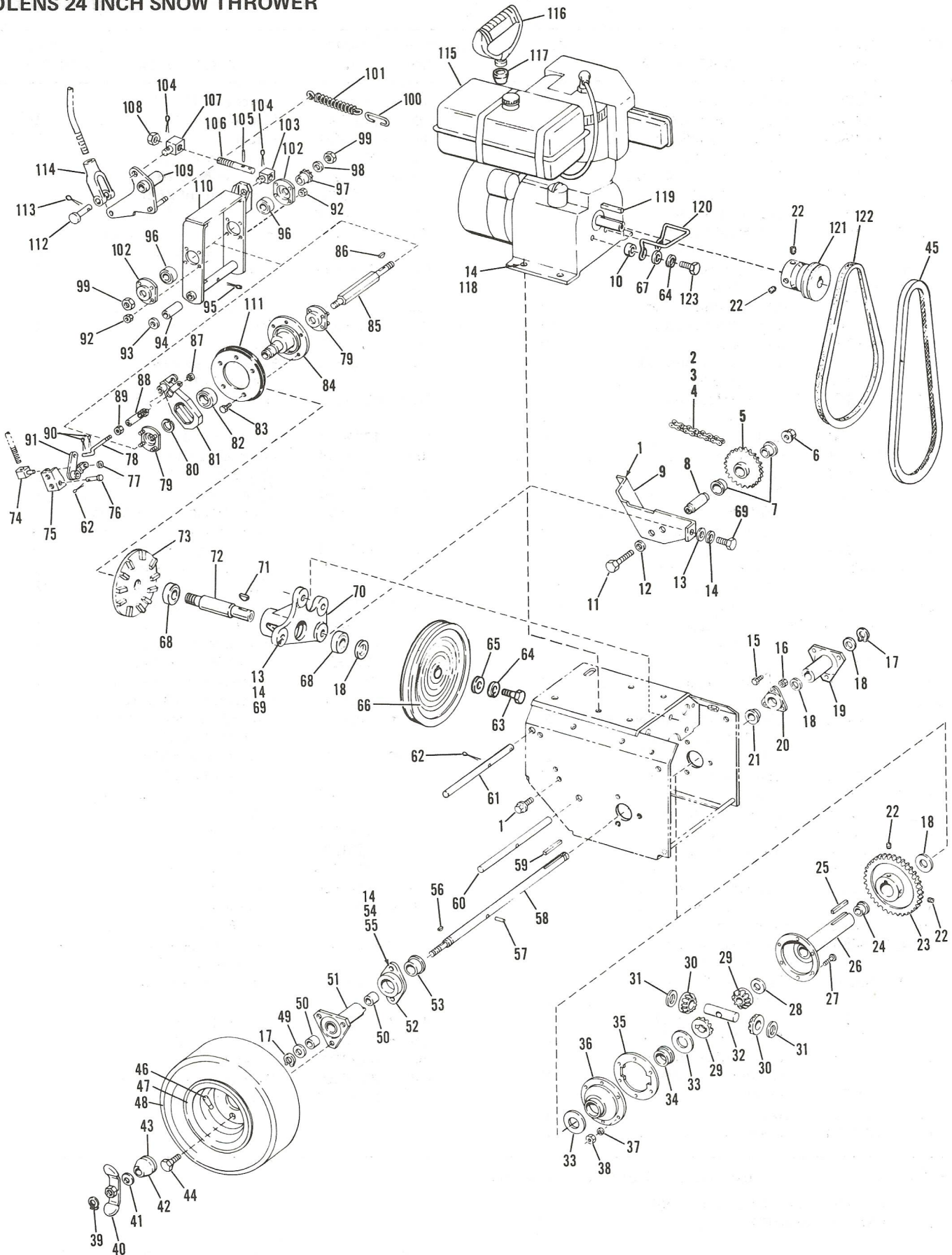


Figure 2 ENGINE AND DRIVE ASSEMBLY

REF. NO.	PART NO.	DESCRIPTION	NO. REQ'D.	REF. NO.	PART NO.	DESCRIPTION	NO. REQ'D.
1	1186327	Flange Whiz-Lock Screw, 5/16-18 x 1/2.	4	62	1100350	Cotter Pin, 1/8 x 1.	3
2	182087	Offset Link (Half Link)	1	63	1100044	Capscrew, 5/16-18 x 3/4.	1
3	1185013	Conn. Link, No. 41 Chain	1	64	1100242	Lockwasher, 5/16	3
4	1720939	Drive Chain, 1/2 Pitch, ASA No. 41	1	65	1713233	Special Flat Washer	1
5	1720839	Pinion and Sprocket	1	66	1725281	Sheave	1
6	1186391	Flange Nut, 5/16-18.	1	67	1107382	Flat Washer, 5/16	2
7	1185802	Flange Bearing	2	68	1185809	Ball Bearing	2
8	1720877	Pinion Shaft	1	69	1103212	Capscrew, 3/8-16 x 5/8.	4
9	1721735	Support Bracket	1	70	1721749	Bearing Housing	1
10	1716729	Spacer	2	71	1185885	Woodruff Key, 3/16 x 5/8.	1
11	1111609	Hex Head Capscrew, 5/16-18 x 2-3/4	1	72	1725189	Spindle	1
12	1107382	Flat Washer, 5/16	1	73	1720918	Drive Plate	1
13	1107383	Flat Washer, 3/8	4	74	1721146	Pivot	1
14	1100243	Lockwasher, 3/8	10	75	1720797	Lever Bracket	1
15	1111599	Hex Head Capscrew, 1/4-20 x 5/8.	3	76	1720869	Clevis Pin	1
16	1110106	Hex Locknut, 1/4-20	3	77	1185257	Retaining Ring	1
17	1113527	Retaining Ring	2	78	1720856	Connecting Link	1
18	1185830	Special Washer	3	79	1720810	Flange Bearing Assembly	2
19	1720855	Wheel Hub	1	80	1185812	Snap Ring	1
20	1720920	Bearing Support	1	81	1720844	Sliding Fork	1
21	1185801	Flange Bearing	1	82	1185806	Thrust Bearing	1
22	1182554	Set Screw, 5/16-18 x 5/16.	4	83	1186327	Screw, 5/16-18 x 1/2.	5
23	1721765	48T Gear	1	84	1720904	Friction Disc Hub	1
24	1185390	Bronze Bearing	1	85	1720862	Hex Shaft	1
25	1108844	Key, 1/4 Square x 1-1/4	1	86	1104435	Woodruff Key	1
26	1727035	Drive Sleeve	1	87	1110149	Locknut, 5/16-24	1
27	1114755	Round Head Slotted Screw, No. 10-32 x 5/8	6	88	1720925	Ball Joint	1
28	1707546	Thrust Washer	As Req'd.	89	1186211	Hex Nut, 5/16-24 (1)	1
29	1708689	Differential Gear	2	90	1100346	Cotter Pin, 3/32 x 3/4	2
30	1708688	Differential Pinion	2	91	1727026	Transfer Lever	1
31	1706873	Thrust Washer	2	92	1185460	Locknut, No. 10-24	8
32	1708690	Differential Shaft	1	93	1185831	Shim Washer	As Req'd.
33	1706471	Retaining Washer	As Req'd.	94	1720872	Spacer Hub	1
34	1185391	Bronze Bearing	1	95	1100351	Cotter Pin, 1/8 x 1-1/4	1
35	1721739	Locator Plate	1	96	1185808	Ball Bearing	2
36	1708682	Differential Housing	1	97	1720861	Sprocket, 9T	1
37	1100240	Lockwasher, No. 10	6	98	1890234	Flat Washer, 1/2	1
38	1186208	Hex Nut, No. 10-32	6	99	1110152	Locknut, 1/2-20	2
39	1725197	External Grip Ring	1	100	1727290	Spring Hook	1
40	1725180	Handle	1	101	1727011	Extension Spring	1
41	1725198	Spring Washer	1	102	1720811	Flange Bearing	2
42	1725183	Disc Assembly (Incl. Ref. No. 43)	1	103	1727052	Pivot Block	1
43	1725182	Facing Only	1	104	1100349	Cotter Pin, 1/8 x 3/4	2
44	1716223	Lug Bolt	6	105	1177625	Roll Pin, 1/8 x 3/4	2
45	1725253	V-Belt, 34"	1	106	1727051	Adjusting Rod	1
46	1718086	Valve Stem	2	107	1727053	Pivot Block	1
47	1730637	Wheel Disc	2	108	1186231	Hex Nut, 3/8-16	1
48	1725299	Tire, 4.10/3.50 x 6	2	109	1727048	Pivot Arm Assembly	1
49	1700821	Washer	As Req'd.	110	1727058	Bracket Assembly	1
50	1185319	Bronze Bearing	2	111	1720859	Molded Friction Disc	1
51	1725166	Wheel Hub	1	112	1710348	Clevis Pin	1
52	1721771	Flange Bearing	1	113	1187385	Cotter Pin, 1/16 x 1/2	1
53	1725252	Flange Bearing	1	114	1715927	Clevis	1
54	1186231	Hex Nut, 3/8-16	2	115	*	Tecumseh Engine HMSK 80	1
55	1186127	Carriage Bolt, 3/8-16 x 7/8	2	116	1725153	Starter Handle	1
56	1100905	Woodruff Key, 1/8 x 1/2	1	117	1725327	Starter Handle Bumper	1
57	1715946	Drive Pin, 1/4 x 1-1/4.	1	118	1103212	Hex Head Capscrew, 3/8-16 x 1-1/2	4
58	1725193	Axle Shaft	1	119	1187474	Key, 1/4 Square x 2-1/4	1
59	1181011	Key, 3/16 Square x 2-1/2	1	120	1730258	Belt Guide	1
60	1720870	Bracket Pin	1	121	1726780	Engine Sheave	1
61	1727049	Fork Shaft	1	122	1894272	V-Belt	1
				123	1100005	Hex Head Capscrew, 5/16-24 x 1	2

*Purchase Parts from your Tecumseh, Lauson - Power Products Outlet.

•Common Hardware - Purchase Locally (Grade 5 where applicable).

- (1) Serial Numbers 0100101 thru 0199999
- (2) Serial Numbers 0200101 and up

BOLENS 24 INCH SNOW THROWER

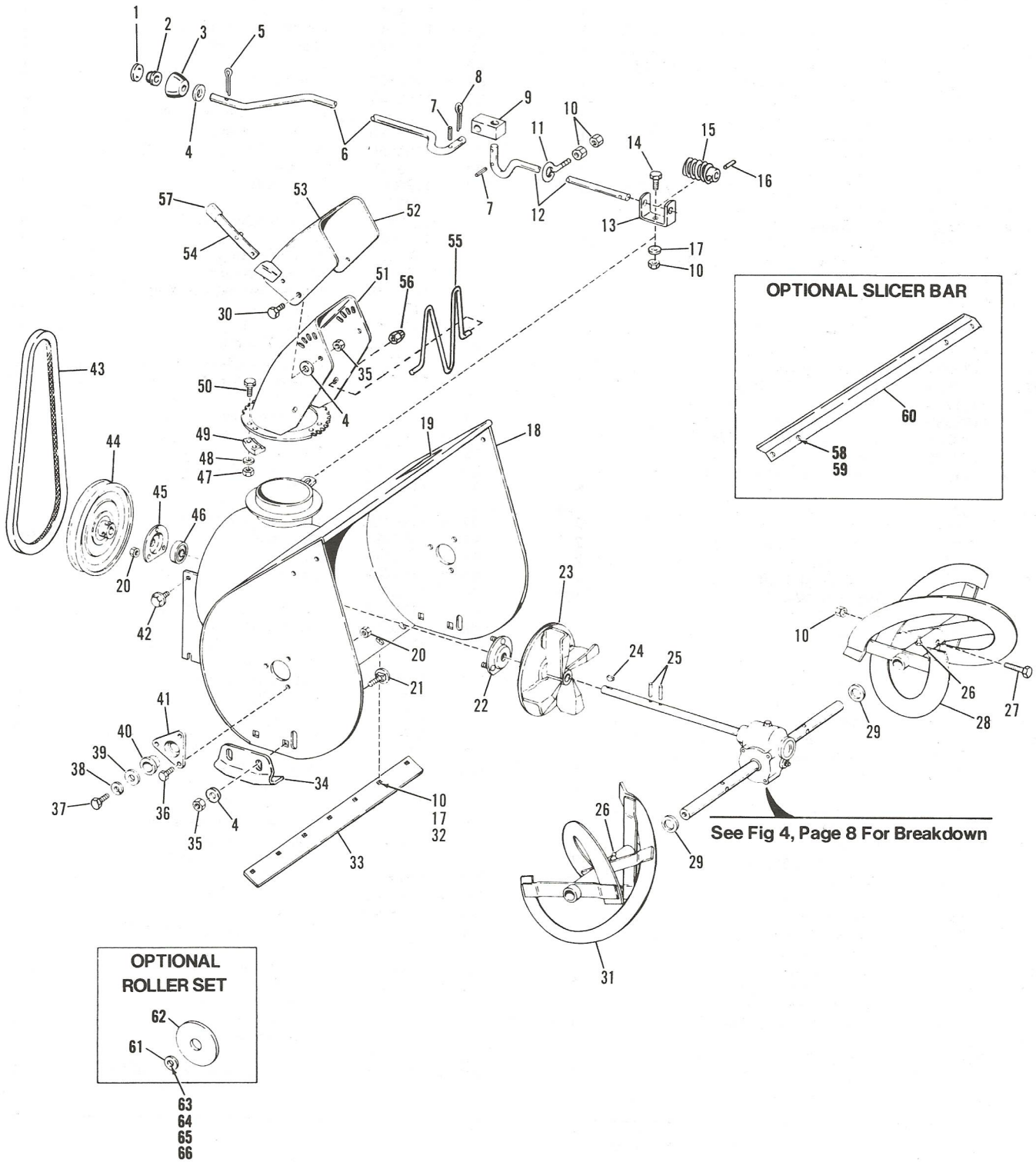


Figure 3 BLOWER HOUSING ASSEMBLY

REF. NO.	PART. NO.	DESCRIPTION	NO. REQ'D.	REF. NO.	PART. NO.	DESCRIPTION	NO. REQ'D.
1	1709135	Button Plug	1	37	● 1100053	Hex Head Capscrew, 1/2-13 x 3/4	2
2	1710146	Push On Cap.	1	38	● 1100245	Lockwasher, 1/2	2
3	1727032	Knob	1	39	● 1100257	Flat Washer, 1/2	2
4	● 1107383	Flat Washer, 3/8	7	40	1185846	Flange Bushing	2
5	● 1100346	Cotter Pin, 3/32 x 3/4	1	41	1720922	Bearing Support	2
6	1727031	Chute Control Crank	1	42	1185798	Flange Whiz-Lock Screw, 3/8-16 x 1/2	2
7	1703066	Roll Pin, 1/8 x 3/4 (1)	3				
	1177625	Roll Pin, 1/8 x 3/4 (2)	4	43	1725253	V-Belt, 34"	1
8	1100349	Cotter Pin, 1/8 x 3/4 (1)	1	44	1725282	Auger Sheave	1
9	1714782	Swivel Block.	1	45	1720815	Flange Bearing (1)	1
10	● 1110107	Locknut, 5/16-18	11		1734735	Flange Bearing (2)	1
11	1725199	Eye Bolt	1	46	1185809	Ball Bearing	1
12	1730548	Chute Control Shaft.	1	47	1185985	Keps Nut, No. 10-24	6
13	1725271	Gear Support	1	48	1103959	Flat Washer, No. 10	As Req'd.
14	● 1100044	Hex Head Capscrew, 5/16-18 x 3/4.	1	49	1724869	Clip	3
15	1724870	L.H. 6 Thread Worm	1	50	1185130	Hex Head Sems Machine Screw, No. 10-24	6
16	1724885	Drive Pin, 3/32 x 3/4	1	51	1724867	Duct Assembly	1
17	1107382	Flat Washer, 5/16	6	52	1723746	Deflector Cap	1
18	1724995	Housing.	1	53	1730996	(Caution) Decal.	1
19	1730997	(Warning) Decal	1	54	1723643	Adjusting Lever.	1
20	● 1110106	Locknut, 1/4-20	9	55	1722501	Chute Guard (2)	1
21	● 1186128	Carriage Bolt, 3/8-16 x 1 (1)	4	56	1186048	Push Nut (2).	2
	● 1186126	Carriage Bolt, 3/8-16 x 3/4 (2).	4	57	1730214	Grip (2).	1
22	1720816	Bearing Flange (1)	1	NI	1723284	Grease Gun	
	1734872	Bearing Flange (2)	1	NI	1723479	Multi-purpose Grease	
23	1720785	Fan.	1				
24	1104436	Woodruff Key, 3/16 x 3/4.	1				
25	1185348	Roll Pin, 1/4 x 1-1/4	2				
26	1185803	Grease Fitting.	4				
27	1720867	Shear Bolt	4	58	● 1110107	Locknut, 5/16-18	2
28	1725116	L.H. Auger.	1	59	● 1106874	Capscrew, 5/16-18 x 3/4.	2
29	1185816	Special Washer, 1-1/64 Dia.	6	60	1715427	Drift Slicer.	1
30	● 1103212	Hex Head Capscrew, 3/8-16 x 5/8	2				
31	1725117	R.H. Auger.	1				
32	● 1712059	Carriage Bolt, 5/16-18 x 1/2.	5	61	1708754	Spacer	2
33	1721716	Scraper Blade	1	62	1716972	Roller	2
34	1728567	Runner	2	63	● 1100243	Lockwasher, 3/8	2
35	● 1110108	Locknut, 3/8-16	6	64	● 1100256	Flat Washer, 3/8	6
36	● 1111599	Hex Head Capscrew, 1/4-20 x 5/8	6	65	● 1103840	Hex Nut, 3/8-16	2
				66	● 1106919	Capscrew, 3/8-16 x 1	2

OPTIONAL SLICER BAR

OPTIONAL ROLLER SET

● Common Hardware - Purchase Locally (Grade 5 where applicable).

(1) Serial Numbers 0100101 thru 0199999

(2) Serial Numbers 0200101 and up

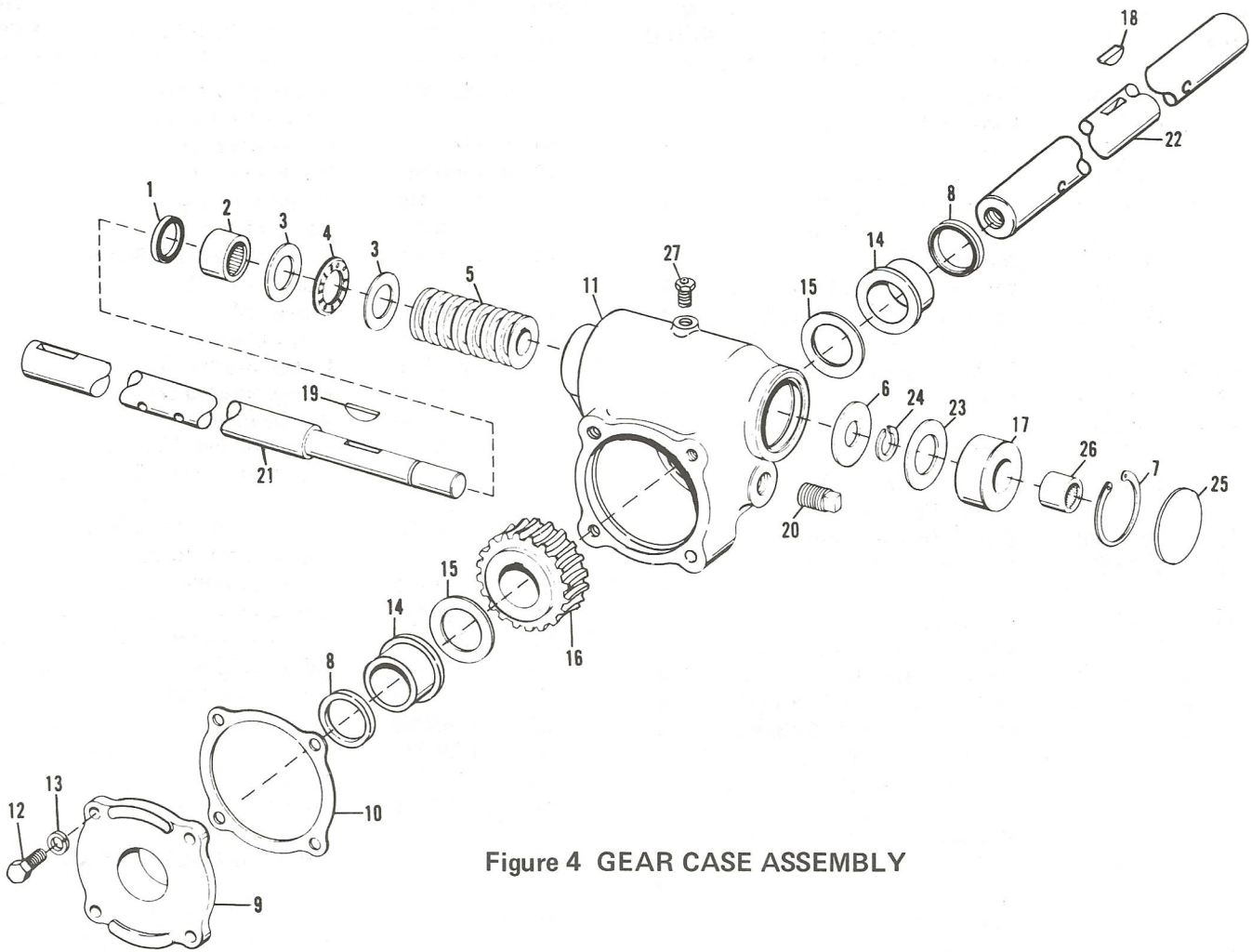


Figure 4 GEAR CASE ASSEMBLY

REF. NO.	PART NO.	DESCRIPTION	NO. REQ'D.	REF. NO.	PART NO.	DESCRIPTION	NO. REQ'D.
1	1185224	Oil Seal	1	17	1720763	Spacer	1
2	1185374	Needle Bearing	1	18	1100276	Woodruff Key, 1/4 x 7/8 . .	1
3	1185841	Thrust Race	2	19	1100283	Woodruff Key, 1/4 x 3/4 . .	1
4	1185431	Thrust Bearing	1	20	1105620	Square Head Plug, 1/4-18 NPT	1
5	1720932	L.H. 2 Thd. Worm	1	21	1728507	Impeller Shaft (1)	1
6	1185842	Washer	1		1725134	Impeller Shaft (2)	1
7	1118726	Internal Retaining Ring . . .	1	22	1728558	Auger Shaft (1)	1
8	1185266	Oil Seal	2		1721715	Auger Shaft (2)	1
9	1720910	Gear Case Cover	1	23	1185840	Thrust Race	1
10	1720941	Cover Gasket	1	24	1185843	External Retaining Ring . . .	1
11	1721752	Gear Case Only	1	24	1112634	Expansion Plug	1
12	● 1111599	Capscrew, 1/4-20 x 5/8. . . .	4	25	1185568	Needle Bearing	1
13	● 1100241	Lockwasher, 1/4	4	26	1721442	Pressure Relief Valve	1
14	1185728	Flange Bearing	2	NI	1723456	Gear Lube, EP 90	
15	1185815	Thrust Race	2				
16	1720933	Worm Gear, 20T	1				

● Common Hardware - Purchase Locally (Grade 5 where applicable).

(1) Serial Numbers 0100101 thru 0199999

(2) Serial Numbers 0200101 and up