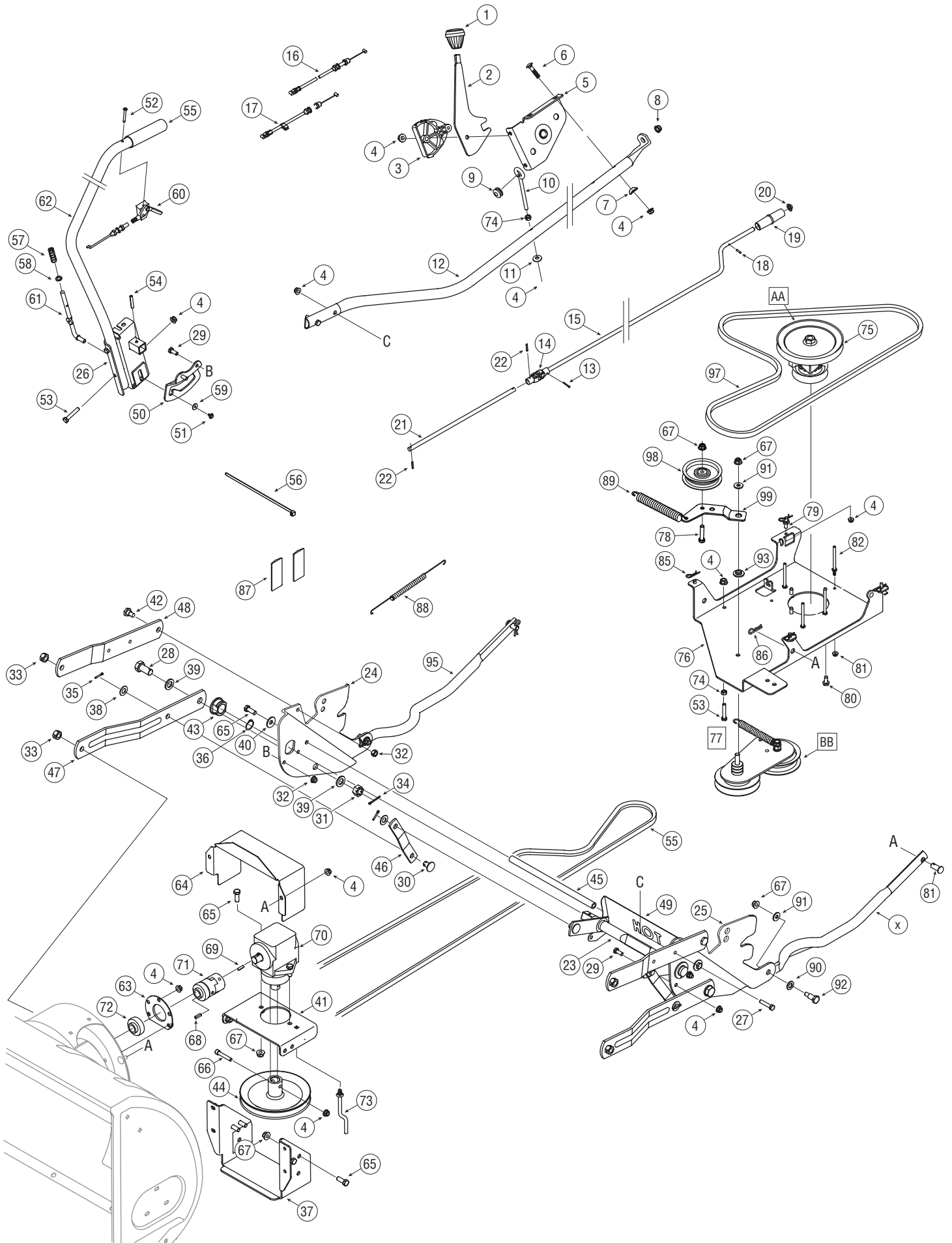


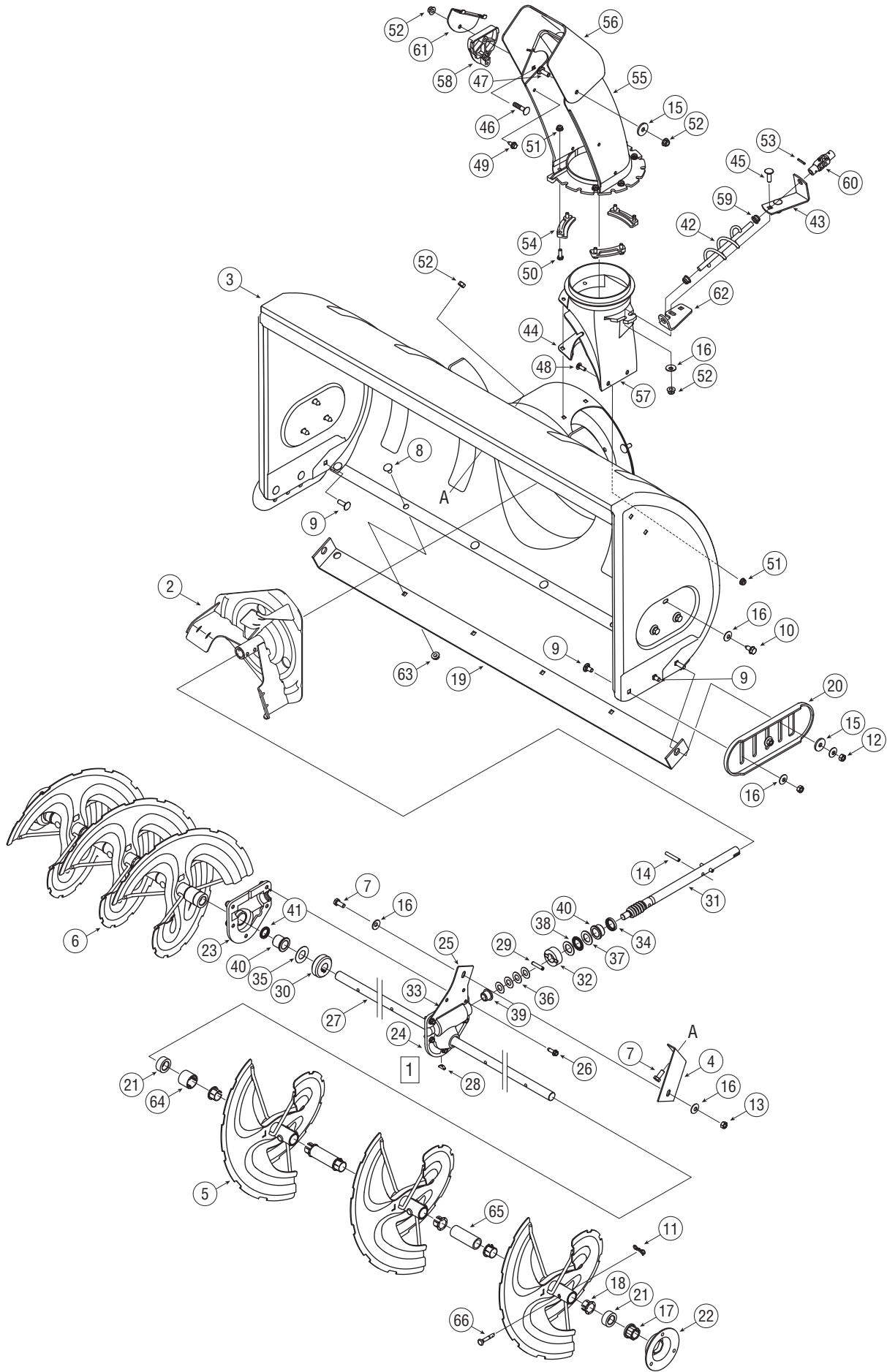
REF NO.	PART NUMBER	DESCRIPTION
1	736-3072	Flat Washer, .38 x .93 x .11
2	710-0151	Hex Cap Screw, 3/8-24 x 2
3	710-0521	Hex Cap Screw, 3/8-16 x 3
4	711-0242	Spacer
5	712-0241	Hex Nut, 3/8-24
6	732-0978	Extension Spring, .620 x 5.62
7	736-0169	Lock Washer, 3/8
8	756-0487	Idler pulley, 4" Diameter
9	784-5727	Idler Pivot Arm
10	712-0417	Flange Nut 5/8-18

REF NO.	PART NUMBER	DESCRIPTION
11	741-0919	Ball Bearing
12	750-1096	Spacer
13	619-0044	Deck Spindle Housing
14	756-0999	Deck Pulley 7"
15	756-1173	Pulley 3.75"
16	738-0976	Spindle Shaft
17	756-0627D	Idler Pulley 3.50 dia.
18	738-0347	Shoulder Spacer, .625 x .169
19	712-0417	Flange Nut 5/8-18



REF NO.	PART No.	DESCRIPTION
1	720-0232	Knob
2	784-5604	Chute Tilt Handle
3	731-1313C	Chute Tilt Cable Guide
4	712-04063	Nylon Hex Lock Nut, 5/16-18
5	603-0302	Chute Tilt Bracket Assembly
6	710-0262	Carriage Bolt, 5/16-18 x 1.5
7	736-0451	Saddle Washer, .32 x .93
8	741-0475	Plastic Bushing
9	735-0234	Rubber Grommet, .44 x .94 x .5
10	747-0697	Eye Bolt
11	736-0242	Bell Washer, .340 x .872
12	750-04467	Support Chute Tube
13	714-0507	Cotter Pin, 3/32 x .75
14	784-5149	Joint Block Assembly
15	747-1201	Chute Crank Rod, .375 x 33
16	746-1108	Chute Cable, 62"
17	746-1109	Chute Cable w/ Clip, 62"
18	715-0138	Rolled Pin, 1/8 x .63
19	720-0201A	Crank Knob
20	726-0100	Push Cap, 3/8 ID
21	747-04400	Rod, .375 x 11.375
22	715-0129	Spirol Pin, .125 x .82
23	611-0132A	Rod Assembly
24	783-0880C	RH Support Plate Assembly
25	783-0879C	LH Support Plate Assembly
26	683-04150	Lift Bracket Assembly
27	710-0805	Hex Cap Screw, 5/16-18 x 1.50
28	710-0964A	Hex Cap Screw, 5/8-18 x 1.31
29	710-3008	Hex Cap Screw, 5/16-18 x .75
30	711-0332	Clevis Pin, .5 x .78
31	712-0386A	Slotted Hex Nut, 5/8-18
32	712-3000	Hex Lock Nut, 3/8-16
33	712-3022	Hex Lock Nut, 1/2-13
34	714-0470	Cotter Pin, 1/8 x 1.25
35	714-0474	Cotter Pin, .125 x .75
36	716-0102	Snap Ring
37	784-0402	Skid Plate
38	736-0272	Flat Washer, .51 x 1.0 x .060
39	736-0366	Flat Washer, .64 x 1.12 x .125
40	736-0452	Bell Washer, .396 x 1.14 x .095
41	783-1014A	Drive Mounting Bracket
42	738-0234	Shoulder Screw, .5 x .29, 3/8-16
43	741-0170	Flange Bearing w/ Flats
44	756-1181A	Drive Pulley, 7"
45	747-1192	Rod, 1/2 x 11.55
46	783-0876	Link, 5.875
47	783-0877	Link, 15.4
48	783-0878	Link, 13.35
49	783-1274B	Heat Shield
50	790-00110	Snow Thrower Lift Bracket
51	710-1268	Hex Index Washer Screw #10-16

REF NO.	PART No.	DESCRIPTION
52	710-3143	Pan Phillips Screw, #10-24 x .75
53	710-3180	Hex Cap Screw, 5/16-18 x 1.75
54	715-0114	Heavy Duty Spirol Pin, 1/4 x 1.5
55	720-0274	Handle Grip
56	725-0157	Cable Tie
57	732-0306	Compression Spring
58	736-0140	Flat Washer, .385 x .62 x .063
59	736-0400	Flat Washer, .194 x .62 x .063
60	746-1103A	Lift Cable, 42" w/ Trigger Control
61	747-1203	Lift Index Rod
62	750-1221	Lift Handle Tube
63	05931A	Bearing Housing, 1.85 ID
64	703-2736	Belt Cover
65	710-0514	Hex Cap Screw, 3/8-16 x 1.0
66	710-3251	Socket Head Cap Screw
67	712-04065	Flange Lock Nut, 3/8-16
68	714-0122	Square Key, 3/16 x .75
69	714-0126	Hi-pro Key, 3/16 x .75
70	717-1714A	Right Angle Drive
71	718-0691	Coupling
72	741-0309	Flange Ball Bearing, .75 x 1.85
73	747-1257	Belt Keeper Rod
74	712-3010	Flange Nut, 5/16
75	618-0411	Spindle Assembly (Incl. 38-44)
76	683-04210	Pulley Mounting Bracket
77	684-0149	Double Idler Bracket Assembly
78	710-0347	Hex Cap Screw, 3/8-16 x 1.75
79	710-04511	Pin 5/16-18
80	710-0260A	Carriage Bolt, 5/16-18 x .62
81	711-0310	Clevis Pin, .5 x 1.18
82	711-1000	Belt Keeper Pin
83	712-04064	Nylon Hex Lock Nut, 1/4-20
84	712-04100	Wing Nut 5/16-18
85	714-0145	Click Pin, .092 x 1.64
86	714-0147	Internal Cotter Pin, .125 x 1.75
87	730-3000	Reflector
88	732-04237	Extension Spring .50 x 12.00
89	732-0594A	Extension Spring .91 x 7.33
90	736-0192	Flat Washer, .531 x .93 x .09
91	736-3072	Flat Washer, .38 x .93 x .11
92	738-0145	Shoulder Screw, 3/8-16
93	738-0347	Shoulder Spacer, .625 x .169
94	749-1103	LH Support Tube
95	749-1104	RH Support Tube
96	754-0125A	V-Belt
97	754-0498	V-Belt
98	756-0627D	Idler Pulley 3.50 dia.
99	783-1291	Idler Bracket



REF NO.	PART NUMBER	DESCRIPTION
1	618-04315	Auger Gear Box (Incl. Ref. 23-41)
2	684-0158	Impeller Assembly, 12"
3	684-0148	Housing Assembly
4	703-2734	Housing Brace Bracket
5	684-04163	LH Spiral Auger
6	684-04164	RH Spiral Auger
7	710-0157	Hex Cap Screw, 5/16-24 x .75
8	710-0260A	Carriage Bolt, 5/16-18 x .62
9	710-0276	Splined Carriage Screw
10	710-0726	Self Tapping Screw
11	714-04040	Bow-Tie Cotter Pin
12	712-3010	Hex Nut, 5/16-18
13	712-3057	Hex Nut, 5/16-24
14	715-0114	Spirol Pin, 1/4 x 1-1/2
15	736-0231	Flat Washer, .344 x 1.125 x .12
16	736-0242	Bell Washer, .340 x .872
17	741-0245	Hex Flange Bearing, .75 ID
18	741-0493A	Flange Bushing, .80 x .91
19	784-0396A	Skid Plate Bracket, 42"
20	784-5038B	Slide Shoe
21	711-0469	Spacer, .75 x .125 x .5
22	784-5618	Hex Bearing Housing, 1.0
23	618-0123A	RH Reducer Housing
24	618-0124A	LH Reducer Housing
25	703-2733A	Housing Brace Plate
26	710-0642	Self Tapping Screw, 1/4-20 x .75
27	711-04468	Spiral Axle, 41.5"
28	714-0161	Hi-Pro Key, 3/16 x 5/8
29	715-0143	Spring Spirol Pin, .25 x 1.25
30	717-0528A	Worm Gear, 20-tooth
31	717-3320	Worm Shaft
32	718-0513	Thrust Collar
33	721-0325	Grease Plug

REF NO.	PART NUMBER	DESCRIPTION
34	721-0327	Grease Seal
35	736-0351	Flat Washer, .76 x 1.5 x .030
36	736-0369	Flat Washer, .508 x 1.0 x .020
37	736-0617	Thrust Washer, .75 x 1.25 x .0615
38	741-0150	Thrust Bearing, .75 x 1.25 x .078
39	748-0108	Flange Bearing, .503 x .75
40	741-0700	Flange Bearing, .75 x 1.0 x .59
41	721-0179	Grease Seal
42	684-0061	Chute Crank Assembly
43	703-2735A	Chute Crank Bracket
44	705-5226	Chute Reinforcer
45	710-0276	Splined Carriage Screw
46	710-0262	Carriage Bolt, 5/16-18 x 1.5
47	710-04071	Carriage Screw, 5/16-18 x 1.0
48	710-0703	Screw, 1/4-20 x .75
49	710-0896	Hex Index Washer Screw
50	710-3015	Hex Cap Screw, 1/4-20 x .75
51	712-04064	Nylon Hex Lock Nut, 1/4-20
52	712-04063	Nylon Hex Lock Nut, 5/16-18
53	715-0129	Spirol Pin, .125 x .82
54	731-0851A	Chute Flange Keeper
55	731-1300B	Lower Chute
56	731-1320	Upper Chute
57	731-1379C	Adapter Chute
58	731-1313C	Chute Tilt Cable Guide
59	741-0475	Plastic Bushing
60	784-5149	Joint Block Assembly
61	784-5594	Cable Bracket
62	784-5647	Chute Crank Bracket
63	712-3004A	Flange Lock Nut, 5/16-18
64	731-04870	Spacer 1.25 x .75 x 1.00
65	731-1086A	Sleeve .758 x 1.00 x 2.70
66	738-04124	Shear Pin, .25 x 1.50