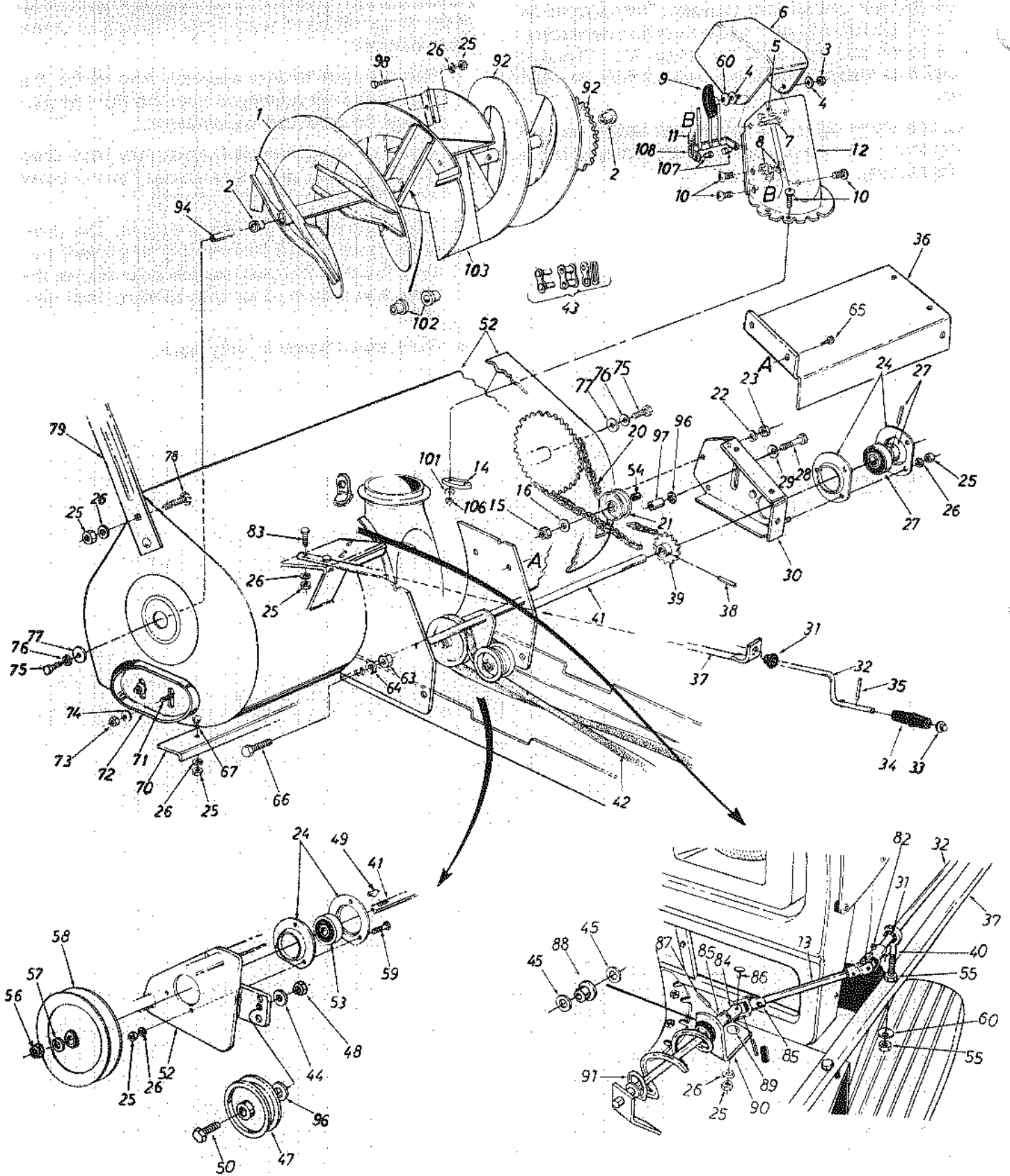


Model 832



Model 832

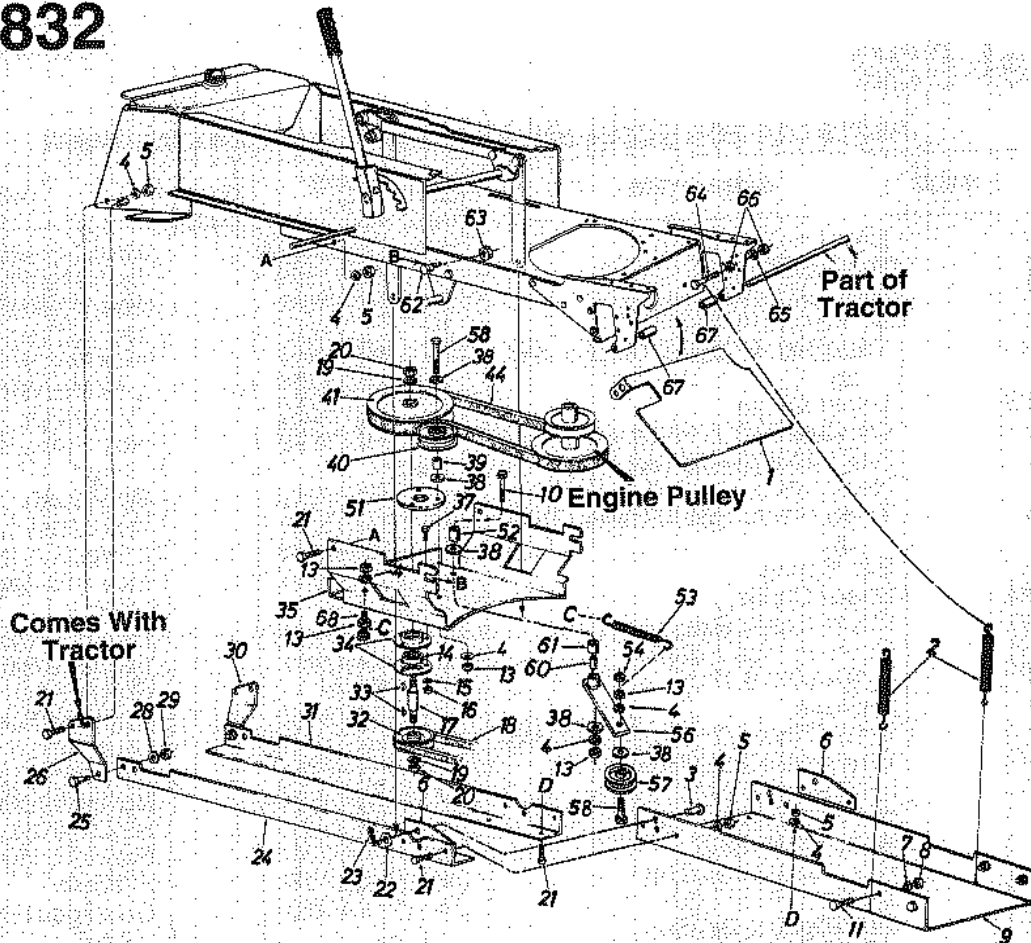
PARTS LIST FOR MODEL 832 40" SNOW THROWER ATTACHMENT

REF. NO.	PART NO.	CODE	DESCRIPTION	REF. NO.	PART NO.	CODE	DESCRIPTION
1	784-5221		Spiral Ass'y. (L.H.)	52	784-5081A		Spiral Housing Ass'y.
2	741-0227		Flange Bearing	53	741-0309		Self-Aligning Bearing
3	712-0158		Hex L-Nut 5/16-18 Thd.	54	741-0322		Sleeve Bearing .50" I.D.
4	736-0231		FI-Wash. .344" I.D.	55	712-0267		Hex Nut 5/16-18 Thd.*
5	710-0323		Truss Mach. Scr. 5/16-18 x .75" Lg.	56	712-0301		Hex Nut 3/4-10 Thd.
6	731-0846B		Upper Chute	57	736-0367		L-Wash. 3/4" I.D.
7	710-0276		Carriage Bolt 5/16-18 x 1.0" Lg.*	58	756-0456		"V"-Pulley .750" I.D. x 6" O.D.
8	712-0291		Hex L-Nut 1/4-20 Thd.	59	710-0198		Hex Sems Bolt 5/16-18 x .75" Lg.*
9	09966		Hand Knob	60	736-0242		Bell-Wash. .345" I.D. x .88" O.D.
10	710-0255		Truss Mach. Scr. 1/4-20 x .75" Lg.	63	712-0239		Hex L-Nut 1/2-20 Thd.*
11	732-0118		Ext. Spring	64	736-0921		L-Wash. 1/2" I.D.*
12	731-0843B		Lower Chute	65	710-0599		Hex Self-Tap Scr. 1/4-20 x .5" Lg.
13	747-0523A		Chute Crank Extension Rod	66	710-0504		Hex Bolt 1/2-20 x 1.25" Lg.*
14	731-0851A		Chute Flange Keeper	67	710-0451		Carriage Bolt 5/16-18 x .75" Lg.*
15	712-0375		L-Nut 3/8-16 Thd.	70	05723		Shave Plate
16	736-0300		FI-Wash.	71	710-0389		Carriage Bolt 3/8-16 x .75" Lg.*
20	713-0189		#420 Chain 1/2" Pitch x 77 Links	72	784-5038B		Skid Shoe
21	756-0358A		Plastic Idler 2" O.D.	73	712-0342		Hex Jam Nut 3/8-16 Thd.
22	736-0329		L-Wash. 1/4" I.D.*	74	736-0105		Belleville Wash. 3/8" I.D.
23	712-0287		Hex Nut 1/4-20 Thd.*	75	710-0474		Hex Bolt 1/2-13 x 1.25" Lg.*
24	741-0311		Bearing Housing	76	736-0253		Belleville Wash. 1/2" I.D.
25	712-0267		Hex Nut 5/16-18 Thd.*	77	736-0179		FI-Wash.
26	736-0119		L-Wash. 5/16" I.D.*	78	710-0260		Carriage Bolt 5/16-19 x .62" Lg.*
27	741-0310		Self-Aligning Bearing	79	05139A		Drift Cutter
28	710-0347		Hex Bolt 3/8-16 x 1.75" Lg.*	82	714-0111		Cotter Pin
29	736-0105		Belleville Wash. 3/8" I.D.	83	710-0442		Hex Bolt 5/16-18 x 1.5" Lg.*
30	05721A		Chain Guard Ass'y.	84	711-0584		Joint Block
31	741-0475		Nylon Bushing	85	05066		Joint Bracket Ass'y.
32	747-0438		Chute Crank .375" Dia. x 34.5" Lg.	86	728-0147		Oval Head Rivet
33	726-0100		Push Nut 3/8" Rod	87	715-0129		Spring Pin Roll 1/8" Dia. x .75" Lg.*
34	720-0201A		Knob (Black)	88	741-0475		Nylon Bushing
35	715-0138		Roll Pin	89	710-0451		Carriage Bolt 5/16-18 x .75" Lg.
36	784-5092A		Drive Shaft Cover	90	784-5085A		Chute Crank Bracket
37	749-0675		Crank Support Tubing	91	784-5084A		Chute Crank Ass'y.
38	715-0118		Spring Pin Spiral 5/16" Dia. x 1.75" Lg.	92	784-5222		Spiral Ass'y. (R.H.)
39	713-0188		14 Teeth Sprocket Ass'y.	94	05737		Spiral Axle
40	747-0481A		Eyebolt 5/16-18 x 3.0" Lg.	96	736-0247		Flat Washer
41	784-5078		Drive Shaft	97	750-0252		Idler Spacer
42	754-0294		"V"-Belt	98	710-0451		Carriage Bolt 5/16-18 x .75" Lg.
43	713-0154		Master Link for #420 Chain	101	736-0142		FI-Wash. 1/4" I.D.
44	736-0169		L-Wash. 3/8" I.D.*	102	741-0227		Plastic Bushing
45	736-0140		FI-Wash. .385" I.D. x .62" O.D.	103	784-5216		Rotor Paddle Ass'y.
47	756-0417		FI-Idler with Flanges	106	712-0107		Hex L-Nut 1/4-20 Thd.
48	712-0342		Hex Jam L-Nut 3/8-16 Thd.	107	738-0561		Shld. Nut 1/4-20 Thd.
49	714-0388		#61 Hi-Pro Key 3/16 x 5/8 Dia.	108	784-5192		Chute Guard Ass'y.
50	710-0347		Hex Bolt 3/8-16 x 1.75" Lg.*				

*For faster service obtain standard nuts, bolts and washers locally. If these items cannot be obtained locally, order by part number and size as shown on parts list.

NOTE: Specifications subject to change without notice or obligation.

Model 832



PARTS LIST FOR MODEL 832 40" SNOW THROWER ATTACHMENT

REF. NO.	PART NO.	CODE	DESCRIPTION	REF. NO.	PART NO.	CODE	DESCRIPTION
1	784-5091B		Guide Bracket	31	05717		Rear Support Angle—L.H.
2	732-0233		Helper Spring	32	756-0457		Lower Drive Pulley 5/8 x 5.56
3	711-0332		Clevis Pin	33	714-0388		#6 Hi-Pro Key 3/16 x 5/8" Dia.
4	736-0169		L-Wash. 3/8" I.D.*	34	08253B		Bearing Housing
5	712-0241		Hex L-Nut 3/8-24 Thd.	35	05713B		Supporting Bracket
6	05714		Attaching Plate	37	710-0322		Hex Sems. 5/16-18 x 1"
7	736-0921		L-Wash. 1/2" I.D.*	38	736-0258		Fl-Wash. .38" I.D. x 1" O.D.
8	712-0239		Hex L-Nut 1/2-20 Thd.	39	748-0193		Spacer .38" I.D. x .62" O.D.
9	05719B		Front Support Channel	40	756-0405		Fl-Idler Pulley
10	710-0771		Hex Bolt 3/8-16 x 3.75" Lg.*	41	756-0216		Upper Drive Pulley
11	710-0504		Hex Bolt 1/2-20 x 1.25" Lg.*	44	754-0206		"V"-Belt
13	712-0342		Hex Jam Nut 3/8-16 Thd.	51	13778		Reinforcement Plate
14	741-0919		Ball Bearing (2 Req'd.)	52	750-0511		Spacer .37" I.D. x 1.50" Lg.
15	736-0119		L-Wash. 5/16" I.D.*	53	732-0470A		Extension Spring 4.75" Lg.
16	712-0267		Hex Nut 5/16-18 Thd.*	54	712-0266		Hex L-Nut 3/8-16 Thd.
17	738-0246		Spindle	56	703-1292		Idle Arm Ass'y.
18	754-0294		"V"-Belt	57	756-0417		Idler Pulley
19	736-0158		L-Wash. 5/8" I.D.*	58	710-0756		Hex Bolt 3/8-16 x 2.25" Lg.*
20	712-0242		Hex Jam Nut 5/8-11 Thd.	60	750-0252		Spacer .377" I.D. x .83" Lg.
21	710-0152		Hex Bolt 3/8-24 x 1.00" Lg.*	61	748-0193		Spacer .38" I.D. x .565" Lg.
22	736-0192		Flat Washer	62	738-0143		Spacer .498" Dia.
23	714-0101		Internal Cotter Pin	63	712-0375		Hex L-Nut 3/8-16 Thd.
24	05718		Rear Support Angle—R.H.	64	710-0698		Hex Bolt 1/4-28 x 1.50" Lg.
25	738-0163		Shld. Bolt .623" Dia.	65	736-0329		L-Wash. 1/4" I.D.*
26	05716		Rear Hanger Brkt.—R.H.	66	712-0138		Hex Nut 1/4-28 Thd.
28	736-0171		L-Wash. 7/16" I.D.	67	750-0757		Spacer .63" I.D. x 1.75" Lg.
29	712-0275		Hex Nut 7/16-14 Thd.	68	710-0427		Hex Bolt 3/8-16 x 2" Lg.*
30	05715		Rear Hanger Brkt.—L.H.				