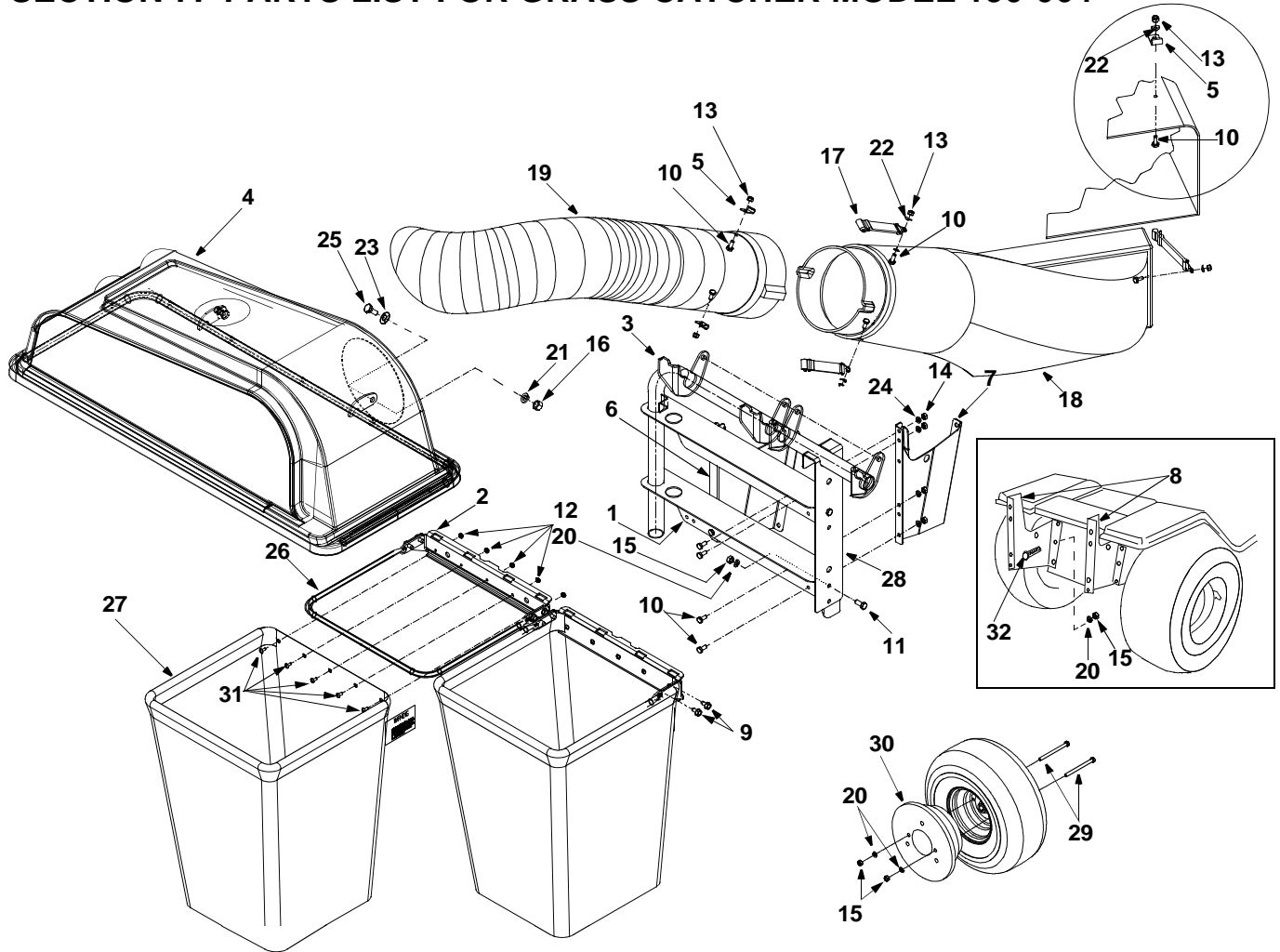


# SECTION 7: PARTS LIST FOR GRASS CATCHER MODEL 190-064



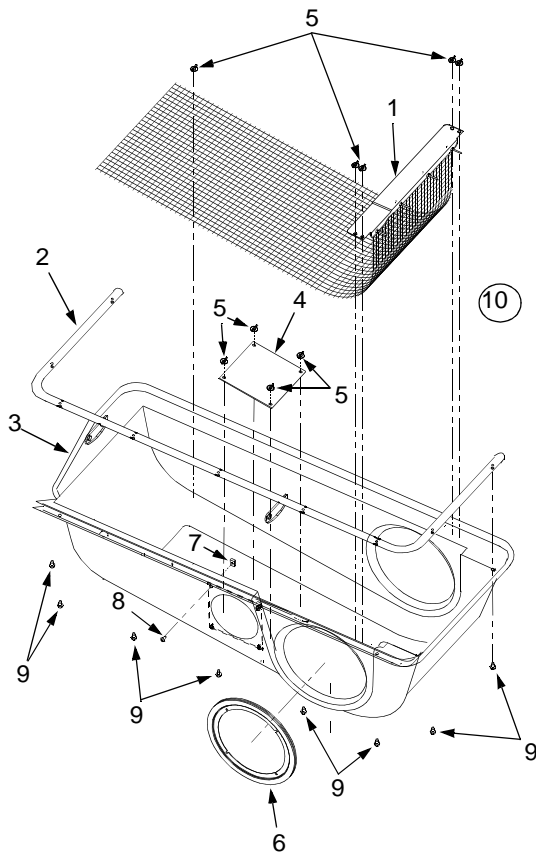
Ref. No.	Part No.	Description	Ref. No.	Part No.	Description
1.	16587B	Catcher Support Tube Mtg. Brkt.	17.	723-0383	Retainer Strap Assembly
2.	16591A	Hanger Bracket: Bag Frame	18.	731-0827A	Discharge Chute
3.	16592	Catcher Support Tube Assembly	19.	731-0899A	Chute Tube
4.	16594A	Cover Assembly*	20.	736-0119	Lock Washer: 5/16
5.	16606	Retainer Hook Bracket	21.	736-0169	Lock Washer
6.	16610C	Support Bracket: LH †	22.	736-0175	Spring Washer
7.	16611C	Support Bracket: RH †	23.	736-0255	Bell Washer
8.	16672A	Support Bracket ‡	24.	736-0329	Lock Washer: 1/4
9.	710-0604	Screw, TT: 5/16-18 X 0.625"	25.	738-0380	Shoulder Screw
10.	710-0751	Hex Bolt: 1/4-20 X 0.620" Gr. 5	26.	749-0701A	Frame Tube
11.	710-3008	Hex Bolt: 5/16-18 X 0.75" Gr. 5	27.	764-0221	Catcher Bag
12.	712-0272	Hex Sems Nut: 10-24	28.	783-0601	Catcher Support Bracket
13.	712-0324	Hex Lock Nut	29.	710-0190	Hex Bolt 5/16-18 x 4.0" Gr.5
14.	712-3006	Hex Nut: Gr. 5	30.	723-0414B	Wheel Weight
15.	712-3010	Hex Nut: 5/16-18	31.	710-0473	Mach. Screw: #10-24 X 0.5"
16.	712-3017	Hex Nut: 3/8-16 Gr. 8	32.	710-0118	Hex Bolt: 5/16-18 x 0.75" ‡

\* See next page for complete breakdown.

† For tractors with 13" wide rear frame only

‡ For tractors with 12" wide rear frame only

# Grass Catcher Cover Assembly



Ref. No.	Part No.	Description
1.	16847A	Screen Assembly
2.	16596	Hinge Bracket Assembly
3.	731-0821A	Grass Catcher Cover
4.	731-0824A	Plastic Plate
5.	726-0258	Zip Twist Fastener
6.	723-0412	Tube Seal
7.	712-0147	U-Type Speed Nut
8.	710-0351	Screw, #10-16 x 0.5"
9.	710-0599	Hex Screw, 1/4-20 x 0.5"
10.	16594A	Grass Catcher Cover Assembly