

Bolens[®]

DIESEL TRACTORS

from ISEKI

Tractor Parts List

**TS 2902 (G 292)
TS 2904 (G 294)**



Sam's Bolens, LLC
Your Source for Bolens Parts

NEW & USED PARTS FOR ALL TYPES OF BOLENS EQUIPMENT

219-661-1405
Fax 219-663-9298

Visit us on the web:
www.samsbolens.com



TRACTOR for turf, commercial and agricultural chores

FORM NO. 553727 (12/80)

CONTENTS

ENGINE

	Page
Fig. 1 CYLINDER HEAD AND OTHER PARTS	1
Fig. 2 CYLINDER BLOCK AND OTHER PARTS	3
Fig. 3 TIMING GEAR CASE AND OTHER PARTS	5
Fig. 4 OIL PAN, CRANK CASE AND OTHER PARTS	7
Fig. 5 OIL PUMP AND FIXING PARTS	9
Fig. 6 CRANK SHAFT, PISTON, CONN ROD AND FLYWHEEL .	11
Fig. 7 VALVE MECHANISM	13
Fig. 8 OIL FILTER, FUEL FILTER AND FIXING PARTS	15
Fig. 9 OIL PIPE AND OTHER PARTS	17
Fig. 10 COOLING SYSTEM (FAN, WATER)	19
Fig. 11 AIR INTAKE AND EXHAUST SYSTEM	21
Fig. 12 FUEL SYSTEM	23
Fig. 13 ENGINE FOOT, HANGER AND FIXING PARTS	25
Fig. 14 INJECTION PUMP AND OTHER PARTS	27
Fig. 15 ELECTRICAL PARTS	29
Fig. 16 ENGINE ACCESSORY PARTS	30
Fig. 17 INJECTION PUMP; PROPER	31
Fig. 18 GOVERNOR (MECHANICAL); INJECTION PUMP	35
Fig. 19 FEED PUMP; INJECTION PUMP	39
Fig. 20 STARTER	41
Fig. 21 GENERATOR	43

CHASSIS

	Page
Fig. 22 RADIATOR	47
Fig. 23 INTAKE SYSTEM	49
Fig. 24 EXHAUST AND INTAKE SYSTEM	51
Fig. 25 BONNET	53
Fig. 26 FRAME AND FAN COVER	55
Fig. 27 AXLE BRACKET AND BALANCE WEIGHT (2WD TYPE).	59
Fig. 28 AXLE BRACKET AND BALANCE WEIGHT (4WD TYPE).	61
Fig. 29 FRONT AXLE (2WD TYPE)	63
Fig. 30 FRONT WHEEL (2WD TYPE)	67
Fig. 31 AXLE HOUSING AND BEVEL CASE (4WD TYPE)	69
Fig. 32 FINAL CASE AND KNUCKLE ARM SYSTEM (4WD TYPE)	71
Fig. 33 DIFFERENTIAL CASE SYSTEM (4WD TYPE)	73
Fig. 34 FRONT WHEEL DRIVING SYSTEM (4WD TYPE)	75
Fig. 35 STEERING WHEEL (MECHANICAL TYPE)	77
Fig. 36 STEERING WHEEL (POWER TYPE)	79
Fig. 37 METER PANEL	81
Fig. 38 CLUTCH HOUSING (2WD TYPE)	83
Fig. 39 CLUTCH HOUSING (4WD TYPE)	87
Fig. 40 CLUTCH HOUSING (4WD, CREEP TYPE)	91
Fig. 41 CLUTCH HOUSING GEAR (4WD, CREEP TYPE)	95
Fig. 42 CHANGE GEAR SYSTEM (4WD TYPE)	99
Fig. 43 DRIVE SHAFT SYSTEM (4WD TYPE)	101

	Page
Fig. 44 CLUTCH PEDAL (2WD, 4WD TYPE)	103
Fig. 45 CLUTCH PEDAL (4WD, CREEP TYPE)	105
Fig. 46 FUEL TANK	107
Fig. 47 THROTTLE SYSTEM	109
Fig. 48 TRANSMISSION CASE	111
Fig. 49 TRANSMISSION GEAR	113
Fig. 50 POWER TAKE OFF	117
Fig. 51 GEAR SHIFT	119
Fig. 52 REAR AXLE HOUSING	121
Fig. 53 DIFFERENTIAL GEAR	123
Fig. 54 STEP AND BRAKE SYSTEM	125
Fig. 55 BRAKE	127
Fig. 56 HYDRAULIC SYSTEM	129
Fig. 57 LIFT ARM AND CYLINDER	131
Fig. 58 DRAFT AND POSITION LEVER SYSTEM	133
Fig. 59 SPRING CASE SYSTEM	135
Fig. 60 SUB CONTROL LEVER SYSTEM	139
Fig. 61 HYDRAULIC PIPING (MECHANICAL TYPE)	141
Fig. 62 HYDRAULIC PIPING (POWER TYPE)	143
Fig. 63 FENDER	147
Fig. 64 REAR WHEEL	149
Fig. 65 ELECTRICAL SYSTEM (1)	151
Fig. 66 ELECTRICAL SYSTEM (2)	153

	Page
Fig. 67	ELECTRICAL SYSTEM (3) 155
Fig. 68	WIRING DIAGRAM 158
Fig. 69	BATTERY SYSTEM 159
Fig. 70	THREE POINT SYSTEM 161
Fig. 71	ACCESSORIES 163
Fig. 72	WEIGHT 165
Fig. 73	STEERING GEAR BOX (MECHANICAL TYPE) 167
Fig. 74	STEERING GEAR BOX (POWER TYPE) 169
Fig. 75	CONTROL VALVE 173
Fig. 76	SUB CONTROL VALVE 175
Fig. 77	RETURN CHECK VALVE 177
Fig. 78	MARK SYSTEM 179

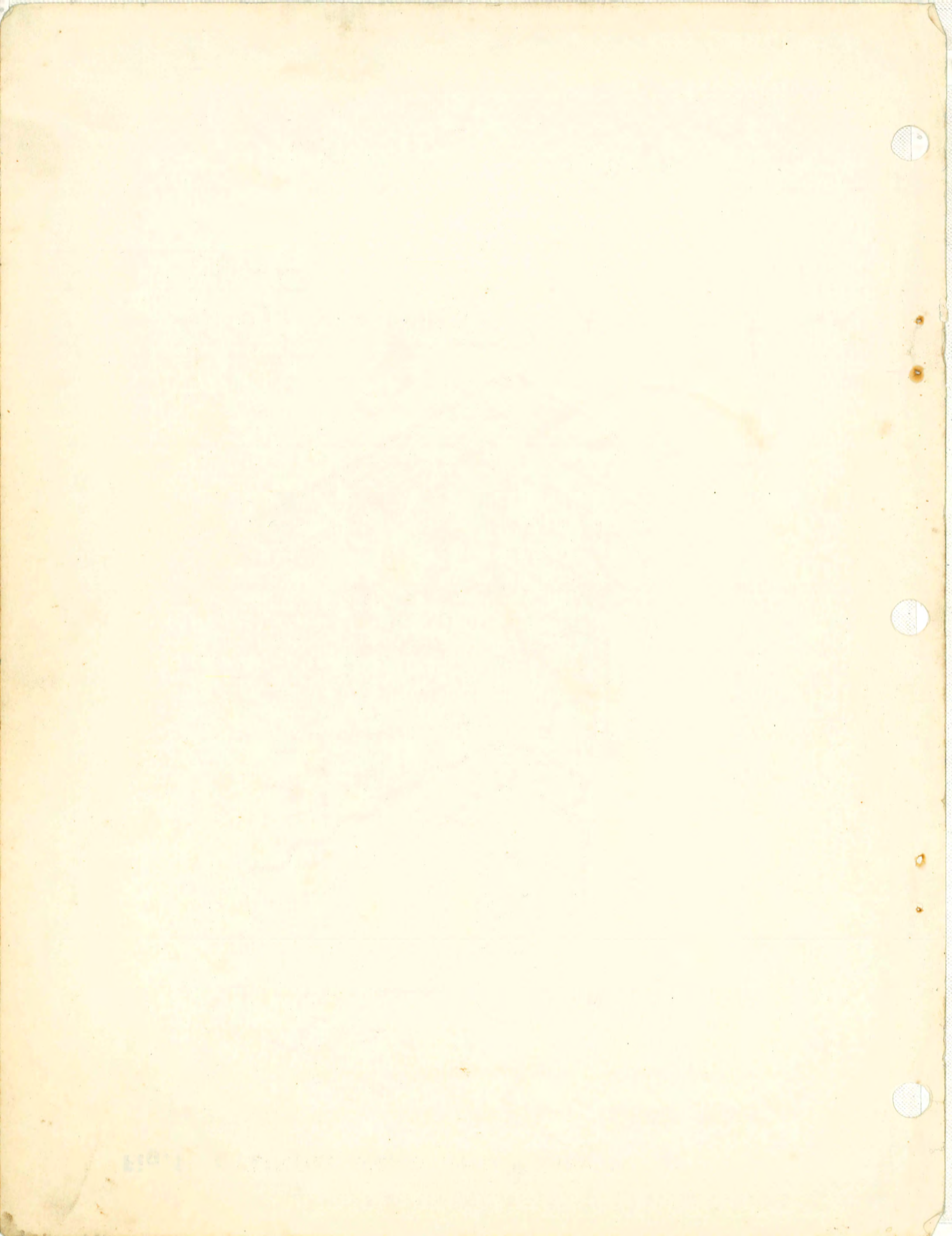
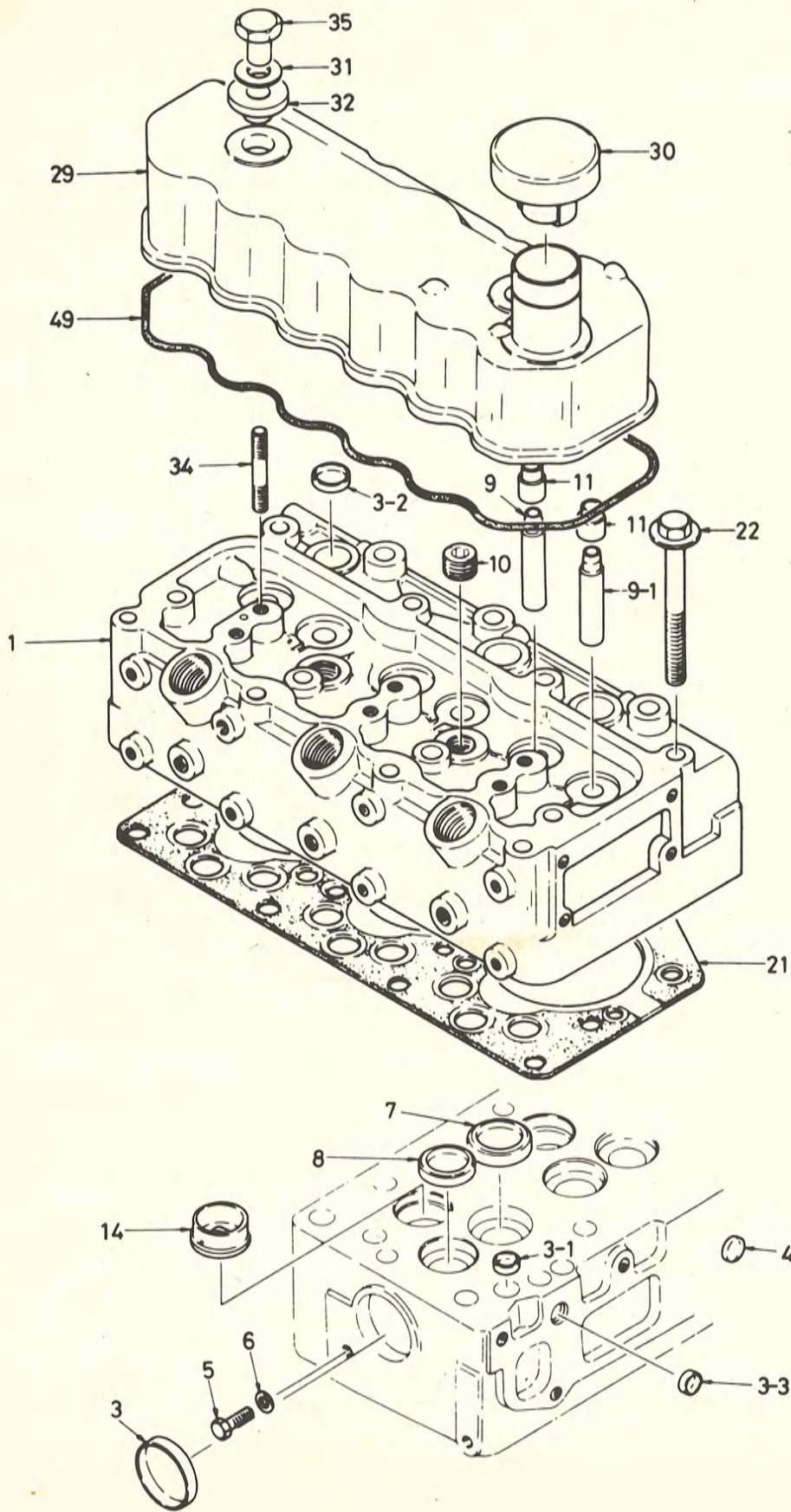
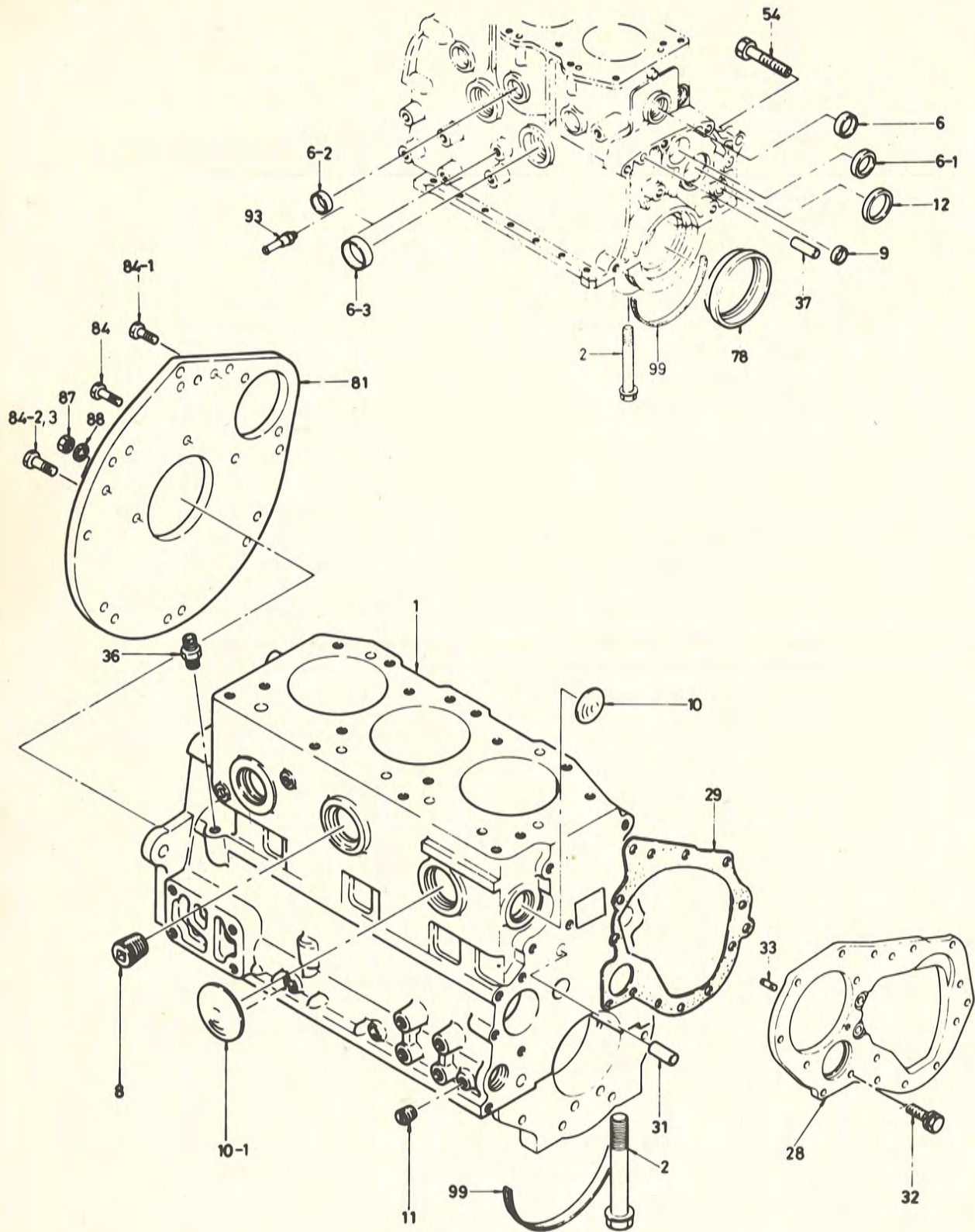


Fig.1 CYLINDER HEAD AND OTHER PARTS



Ref.No.		Description	Q'ty		ISEKI Parts No.	Remarks
			2WD	4WD		
1- 1	1872004	HEAD, CYL ASSY	1	1	6511-110-0961-0	Included 3~14
1- 3	1872005	CAP, SEALING/45	1	1	6911-129-0060-0	
1- 3-1	1872006	CAP, SEALING/16	3	3	6911-129-0810-0	
1- 3-2	1872007	CAP, SEALING/18	3	3	6911-129-0820-0	
1- 3-3	1872008	CAP, SEALING/12	3	3	6911-129-0830-0	
1- 4	1876103	PLUG, PLATE	3	3	6909-860-5220-0	
1- 5	1876088	PLUG, SCREW	1	1	6909-202-0080-0	
1- 6	1876115	PACKING, PLUG	1	1	6909-920-8430-0	
1- 7	1876155	INSERT, VALVE SEAT IN	3	3	6911-715-0540-0	
1- 8	1876154	INSERT, VALVE SEAT EXH	3	3	6911-711-0660-0	
1- 9	1876156	GUIDE, INLET VALVE	3	3	6911-721-1130-0	
1- 9-1	1876157	GUIDE, INLET VALVE	3	3	6911-721-1590-0	
1-10	1876094	PLUG	2	2	6909-664-0340-0	
1-11	1875966	SEAL, VALVE	6	6	6512-569-0040-0	
1-14	1876128	PLUG, HOT ASSY	3	3	6911-150-1940-0	
1-21	1872019	GASKET, CYL HEAD	1	1	6911-145-6240-0	Included 30
1-22	1872020	BOLT	15	15	6509-009-0360-0	
1-29	1872021	COVER, CYL HEAD ASSY	1	1	6511-170-1421-0	
1-30	1876158	CAP, OIL FILLER ASSY	1	1	6911-750-6020-0	
1-31	1876132	WASHER	2	2	6911-179-1050-0	
1-32	1876131	PACKING, HEAD COVER NUT	2	2	6911-179-0300-0	
1-34	1876102	STUD, HEAD COVER	2	2	6909-830-2120-0	
1-35	1876130	NUT, HEAD COVER	2	2	6911-175-0110-0	
1-49	1872027	PACKING, HEAD COVER	1	1	6911-173-1370-0	

Fig.2 CYLINDER BLOCK AND OTHER PARTS



Ref.No.		Description	Q'ty		ISEKI Parts No.	Remarks
			2WD	4WD		
2- 1-1	1872028	BLOCK, CYL ASSY	1	1	6511-210-0113-0	Included 2~8
2- 2	1876099	BOLT, BEARING CAP	8	8	6909-802-5910-0	
2- 6	1876138	CAP, SEALING	1	1	6911-219-1950-0	
2- 6-1	1876136	CAP, SEALING	1	1	6911-219-0050-0	
2- 6-2	1876137	CAP, SEALING	3	3	6911-219-0060-0	
2- 6-3	1876123	CAP, SEALING	2	2	6911-129-0060-0	
2- 8	1876094	PLUG, TAPPET CHAMBER	3	3	6909-664-0340-0	
2- 9	1876085	PLUG, OIL GALLERY	2	2	6909-201-3180-0	
2-10	1876086	PLUG, TAPPET CHAMBER	2	2	6909-201-3280-0	
2-10-1	1876087	PLUG, TAPPET CHAMBER	3	3	6909-201-3450-0	
2-11	1876104	PLUG, TAPPET CHAMBER	2	2	6909-864-0150-0	
	1872039	PLUG, OIL GALLERY	2	2	6909-605-0190-0	
2-12	1872040	PLUG, CAM BEARING	1	1	6909-201-3560-0	
2-28	1876140	PLATE, F. CYL BODY	1	1	6911-311-8060-0	
2-29	1875922	PACKING, PLATE TO CYL BODY	1	1	6511-312-0110-0	
2-31	1876066	PIN, STRAIGHT	2	2	6908-151-0300-0	
2-32-1	1876038	BOLT, SEMS	3	3	6901-900-8220-0	
2-33	1876062	STUD, INJ PUMP	1	1	6904-110-8220-0	
2-36	1876108	NIPPLE, ROCKER OIL FEED	1	1	6909-902-2990-0	
2-37	1876068	PIN, STRAIGHT	1	1	6908-161-0320-0	
2-54	1872048	BOLT, REAMER/L=43	1	1	6909-606-5350-0	
2-78	1876119	SEAL, CRANK R.	1	1	6909-924-4490-0	
2-81	1872050	PLATE, R. CYL BLOCK	1	1	6911-341-8090-0	
2-84-1	1872051	BOLT, SEMS	3	3	6901-911-0300-0	
2-84-2	1872052	BOLT	2	2	6902-351-2350-0	
2-84-3	1872053	BOLT	3	3	6509-000-2270-0	
2-87	1876070	NUT, REAMER BOLT	1	1	6909-110-4100-0	
2-88	1876077	WASHER, SP	1	1	6909-150-5100-0	
2-93	1875971	PIPE, WATER DRAIN	1	1	6513-721-0280-0	
2-99	1876139	PACKING	2	2	6911-258-1080-0	

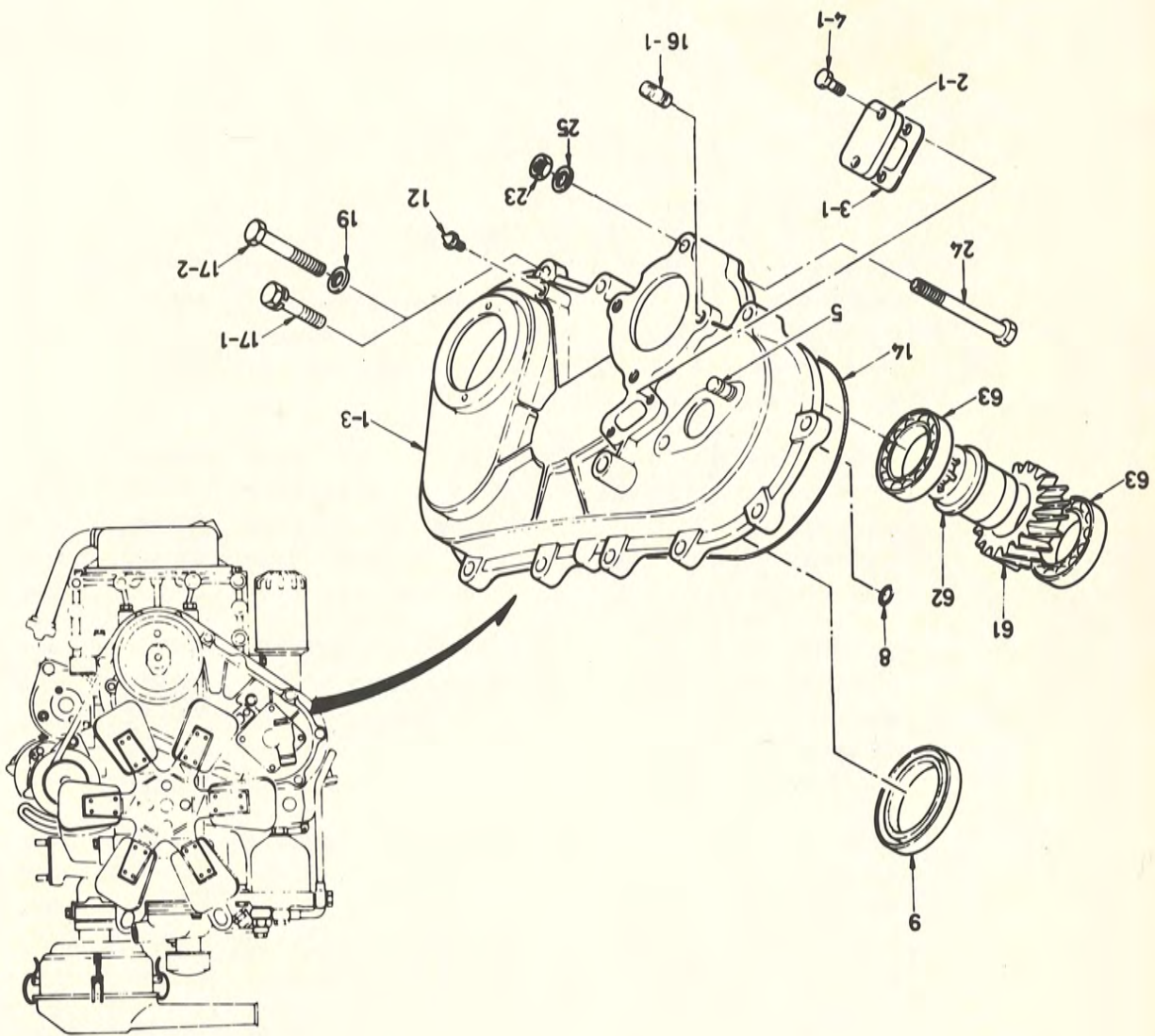


Fig. 3 TIMING GEAR CASE AND OTHER PARTS

Ref. No.	Description	Q'ty	ISEKI Parts No.	Remarks
3-1-3	CASE, TIMING GEAR	1	6511-311-0090-0	
3-2-1	COVER, GEAR CASE	1	6911-321-1370-0	
3-3-1	PACKING, GEAR CASE	1	6911-322-0660-0	
3-4-1	BOLT, SEMS	2	6901-900-6120-0	
3-5	STUD	1	6904-110-8400-0	
3-8-1	PACKING	1	6911-312-0460-0	
3-9	SEAL, OIL	1	6909-924-4480-0	
3-12	POINTER, TIMING GEAR	1	6911-327-0450-0	
3-14-1	PACKING	1	6911-312-8030-0	
3-16-1	STUD	4	6904-110-8200-0	
3-17-1	BOLT, SEMS	7	6509-030-0157-0	
3-17-2	BOLT	2	6901-055-8550-0	
3-19	WASHER, SP	2	6909-150-5080-0	
3-23	NUT	4	6909-110-4080-0	
3-24	BOLT	1	6901-055-8750-0	
3-25	WASHER, SP	4	6909-150-5080-0	
3-61	GEAR, HYD PUMP DRIVE	1	6912-525-8010-0	
3-62	SHAFT, DRIVE GEAR	1	6912-533-8010-0	
3-63	BEARING, RB	2	6900-090-6670-0	

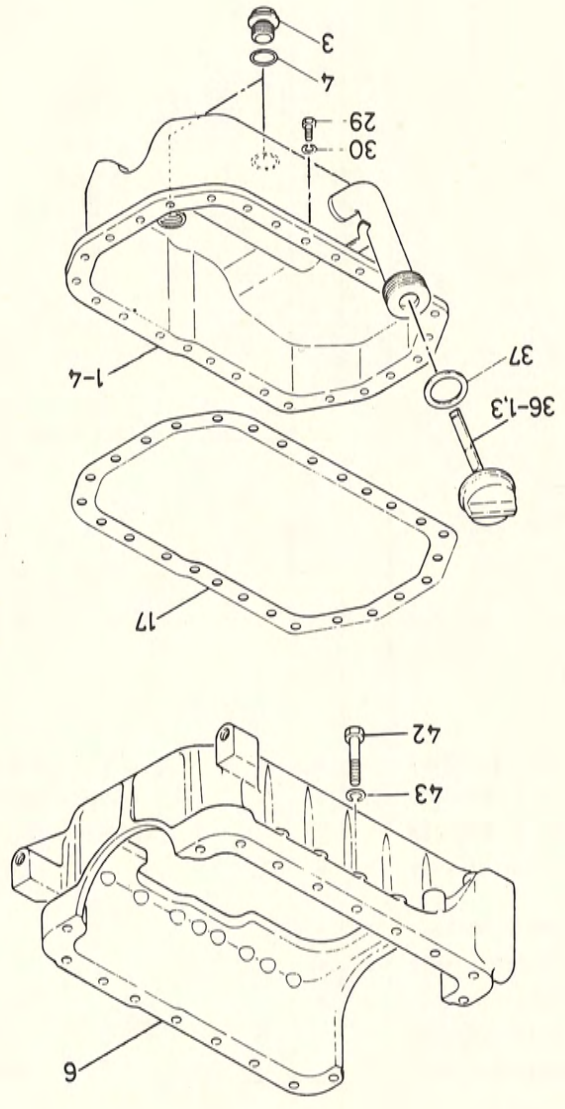


Fig. 4 OIL PAN, CRANK CASE AND OTHER PARTS

Ref. No.	Description	Qty		ISEKI Parts No.	Remarks
		2WD	4WD		
4-1-4	PAN, OIL ASSY	1	1	6511-360-2240-0	Included 3, 4
4-3	PLUG, OIL DRAIN	2	2	6909-662-0120-0	
4-4	PACKING, OIL DRAIN	2	2	6909-920-6510-0	
4-6	CASE, CRANK	1	1	6511-215-0311-0	
4-17	PACKING, OIL PAN	1	1	6911-367-6030-0	
4-29	BOLT, OIL PAN	27	27	6901-910-6140-0	
4-30	WASHER,	1	1	5690-915-0506-0	
4-36-3	GAUGE, OIL LEVEL ASSY	1	1	6511-760-0531-0	
4-37	PACKING, LEVEL GAUGE	1	1	6909-920-6090-0	
4-42-3	BOLT/M8 x 45	10	10	6901-065-8450-0	
4-42-3	BOLT/M8 x 80	4	4	6901-065-8800-0	
4-42-4	BOLT/M8 x 129	1	1	6909-600-0820-0	
4-42-5	BOLT/M8 x 138	3	3	6909-602-0700-0	
4-43	WASHER, SP	18	18	6909-150-5080-0	

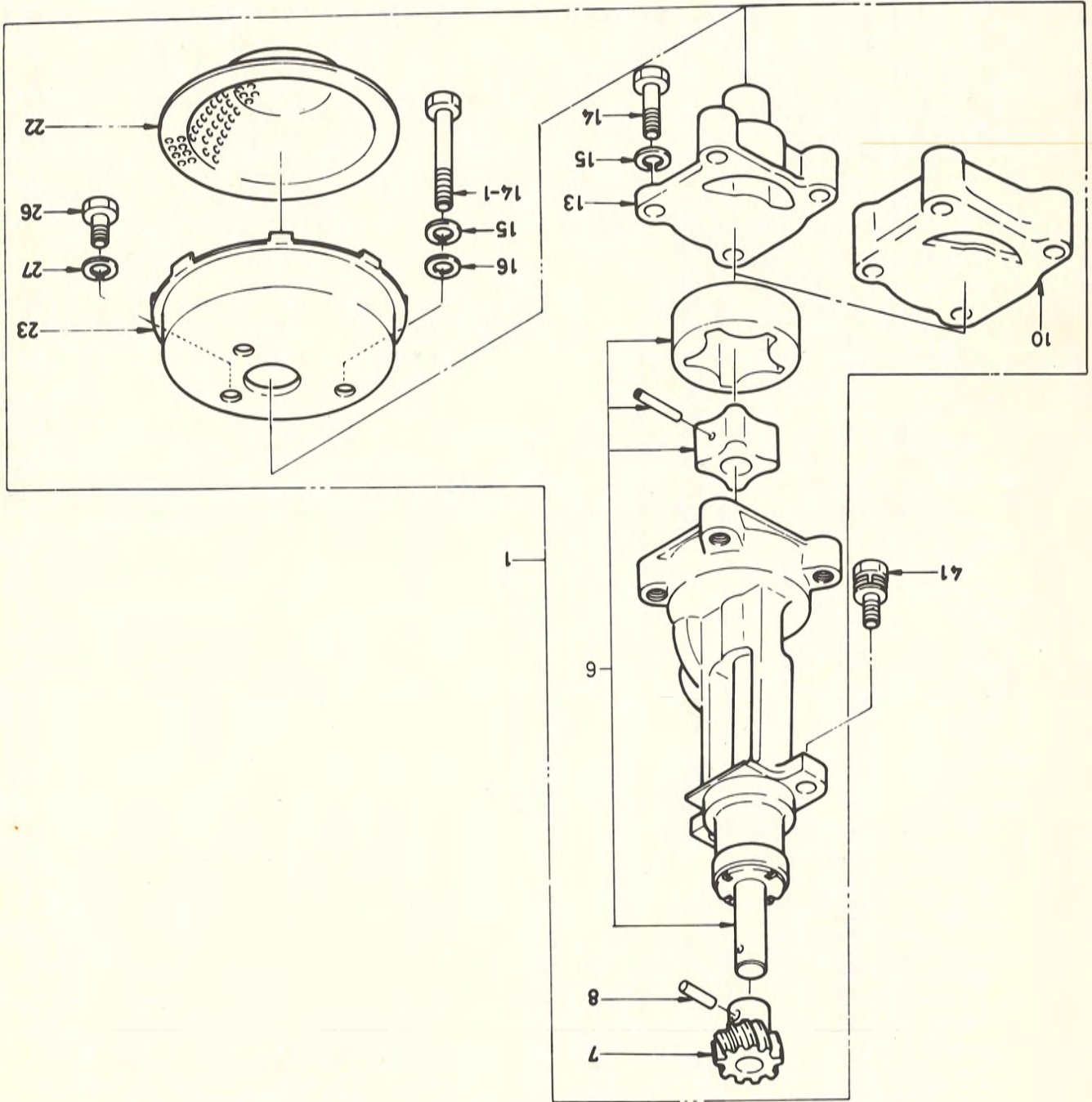
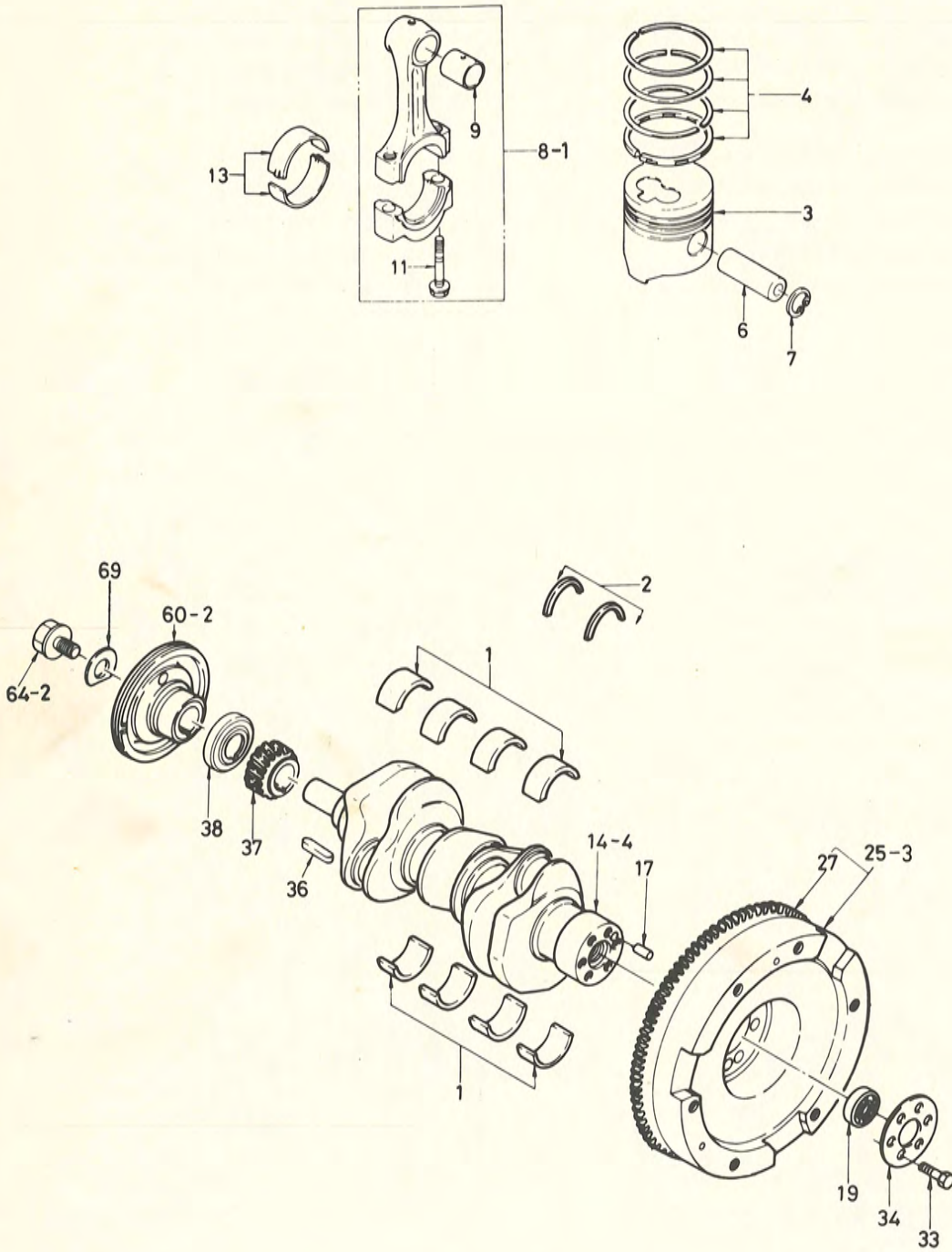


Fig.5 OIL PUMP AND FIXING PARTS

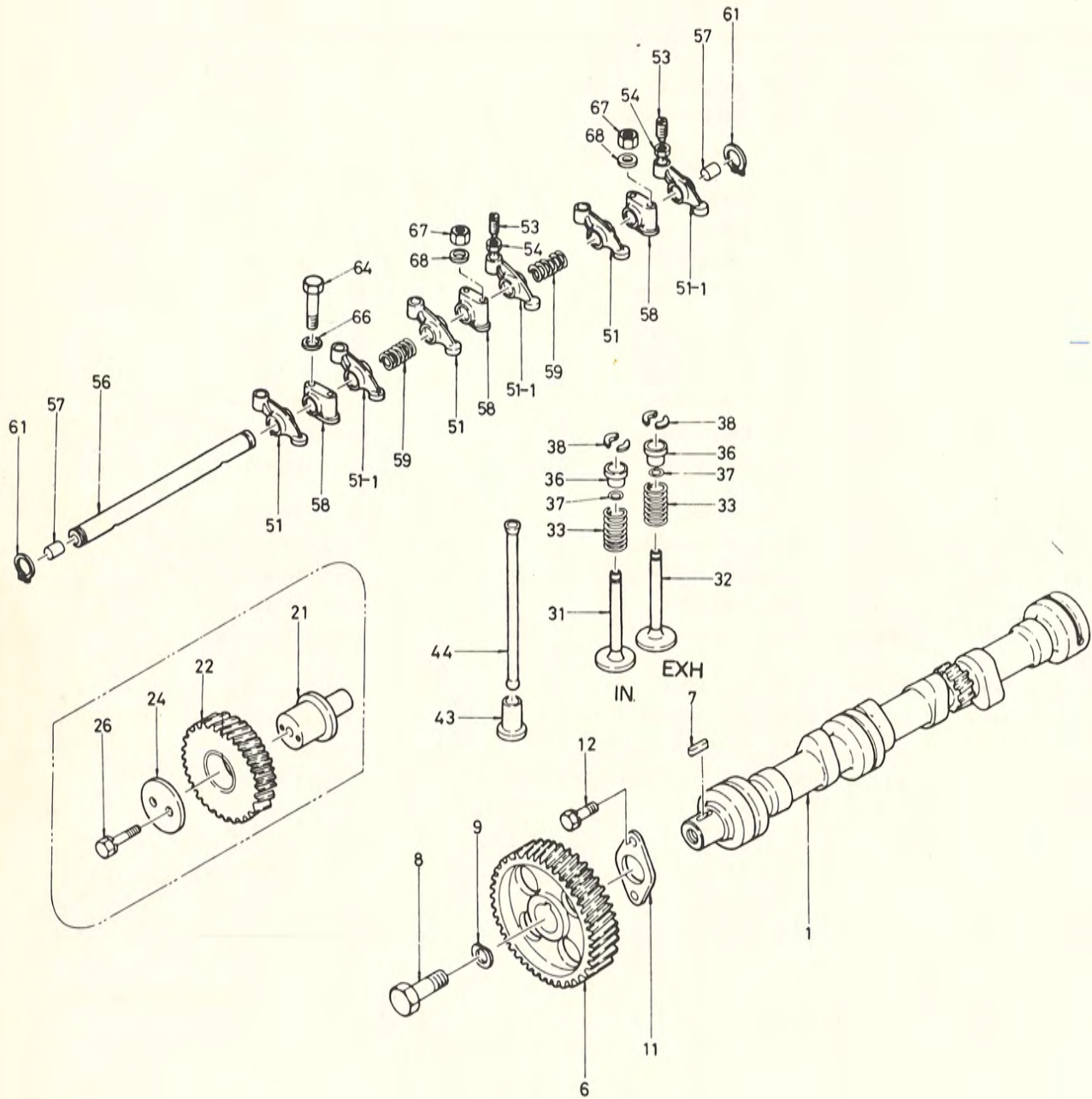
Ref.No.		Description	Q'ty		ISEKI Parts No.	Remarks
			2WD	4WD		
5- 1	1872090	PUMP, OIL ASSY	1	1	6913-100-6370-0	Included 6~27
5- 6	1872091	ROTOR SET	1	1	6913-120-6010-0	
5- 7	1876201	PINION, OIL PUMP DRIVE	1	1	6913-128-0790-0	
5- 8	1876107	PIN	1	1	6909-878-0840-0	
5-10	1872094	SPACER, OIL PUMP	1	1	6913-119-6090-0	
5-13	1876196	COVER, OIL PUMP	1	1	6913-113-0860-0	
5-14	1872096	BOLT/M8 × 75	2	2	6901-045-8750-0	
5-14-1	1876026	BOLT/M8 × 50	2	2	6901-045-8500-0	
5-15	1876076	WASHER, SP/M8	4	4	6909-150-5080-0	
5-16	1876081	WASHER/M8	2	2	6909-164-5080-0	
5-22	1876204	GAUZE, OIL STRAINER	1	1	6913-143-6030-0	
5-23	1876203	CASE, OIL STRAINER	1	1	6913-141-6041-0	
5-26	1876050	BOLT	1	1	6902-040-8120-0	
5-27	1876076	WASHER, SP	1	1	6909-150-5080-0	
5-41	1876046	BOLT, SEMS	2	2	6901-970-8250-0	

Fig.6 CRANK SHAFT, PISTON, CONN ROD AND FLYWHEEL



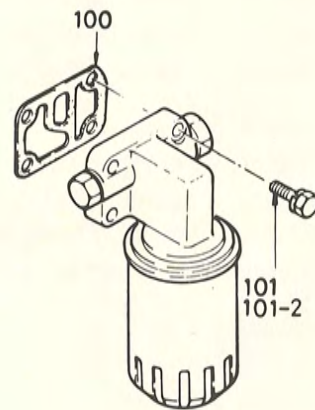
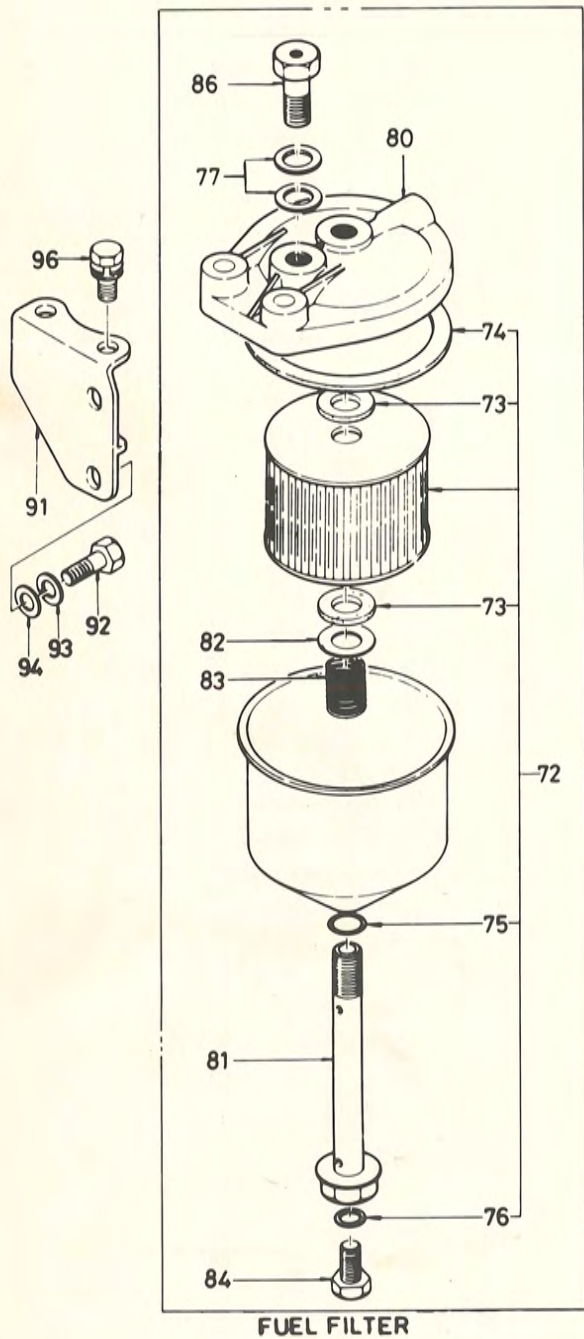
Ref.No.		Description	Q'ty		ISEKI Parts No.	Remarks
			2WD	4WD		
6- 1	1872105	BEARING KIT/STD	1	1	6511-510-0100-0	} Included 2
6- 1-1	1872106	BEARING KIT/0.5 US	1	1	6511-540-0100-0	
6- 1-2	1875942	BEARING KIT/1.0 US	1	1	6511-560-0100-0	
6- 2	1876152	BEARING, THRUST	2	2	6911-581-0570-0	
6- 3-3	1875960	PISTON/STD	3	3	6512-111-1190-0	
6- 3-4	1872110	PISTON/0.5 OS	3	3	6512-111-1190-0	
6- 3-5	1875964	PISTON/1.0 OS	3	3	6512-116-1190-0	
6- 4	1875980	RING, PISTON SET/STD	3	3	6512-121-0100-0	
6- 4-1	1872113	RING, PISTON SET/0.5 OS	3	3	6512-124-0111-0	
6- 4-2	1875985	RING, PISTON SET/1.0 OS	3	3	6512-126-0100-0	
6- 6	1875951	PIN, PISTON	3	3	6512-211-0090-0	
6- 7	1875929	RING, SNAP	6	6	6509-587-0010-0	
6- 8-1	1872117	ROD, CONN ASSY	3	3	6512-230-0230-0	Included 9~11
6- 9	1876163	BUSH, SMALL END	3	3	6912-251-0620-0	
6-11	1875952	BOLT, CONN ROD	6	6	6512-235-0060-0	
6-13	1875953	BEARING, CONN ROD SET	3	3	6512-271-0050-0	
6-14-3	1872121	CRANKSHAFT ASSY	1	1	6912-320-6152-0	Included 17
6-17	1876067	PIN, STRAIGHT	1	1	6908-151-2220-0	
6-19	1875930	BEARING, BALL	1	1	6509-801-0010-0	
6-25-3	1872124	FLYWHEEL ASSY	1	1	6912-330-8091-0	Included 27
6-27	1876167	GEAR, RING	1	1	6912-333-0361-0	
6-33-1	1875923	BOLT, FLYWHEEL	6	6	6509-000-0181-0	
6-34	1875959	WASHER, FLYWHEEL	1	1	6512-336-0020-0	
6-36	1872128	KEY, FEATHER	1	1	6908-030-7430-0	
6-37	1876171	GEAR, CRANK	1	1	6912-521-0420-0	
6-38	1876168	THROWER, OIL	1	1	6912-362-0390-0	
6-60-2	1872131	PULLEY, CRANK	1	1	6912-373-6051-0	
6-64-2	1872132	BOLT, CRANK PULLEY	1	1	6909-802-5950-0	
6-69	1872133	WASHER, CRANK PULLEY	1	1	6912-279-0160-0	

Fig.7 VALVE MECHANISM

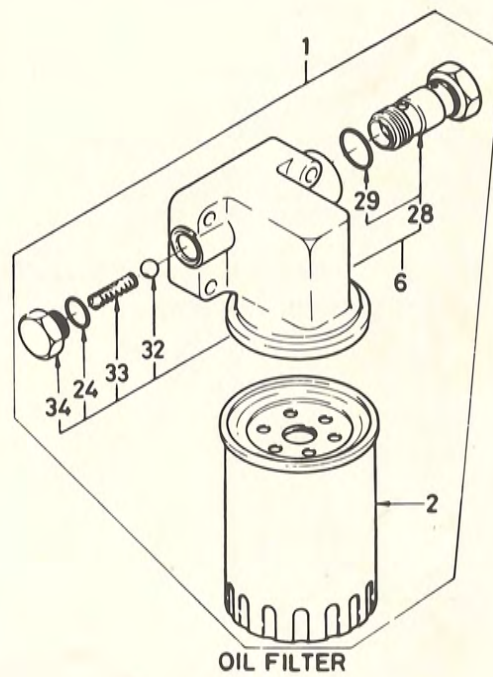


Ref.No.		Description	Q'ty		ISEKI Parts No.	Remarks
			2WD	4WD		
7- 1	1872134	CAMSHAFT	1	1	6512-511-0220-0	
7- 6-1	1876172	GEAR, CAM/42T	1	1	6912-522-8010-0	
7- 7	1876064	KEY, FEATHER	1	1	6908-000-7180-0	
7- 8	1875924	BOLT	1	1	6509-000-0690-0	
7- 9	1872138	WASHER, TIMING WHEEL	1	1	6512-519-0021-0	
7-11	1876153	PLATE, THRUST	1	1	6911-681-0100-0	
7-12	1876037	BOLT, SEMS PLATE	2	2	6901-900-8160-0	
7-21	1876126	SHAFT, IDLE GEAR	1	1	0912-531-0240-0	
7-22	1876173	GEAR, IDLE/31T	1	1	6912-523-0800-0	
7-24	1875965	COLLAR, THRUST	1	1	6512-535-0050-0	
7-26	1875925	BOLT, SEMS	2	2	6509-000-0840-0	
7-31	1876178	VALVE, INLET	3	3	6912-551-8020-0	
7-32	1876179	VALVE, EXH	3	3	6912-552-8010-0	
7-33	1876180	SPRING, VALVE OUT	6	6	6912-561-0370-0	
7-36	1876181	SEAT, SPRING ASSY	6	6	6512-563-0950-0	Included 37
7-37	1872149	RING, SEALING	6	6	6912-559-0080-0	
7-38	1876042	COLLAR, SPLIT	12	12	6512-565-0040-0	
7-43	1876183	TAPPET	6	6	6912-571-8010-0	
7-44-1	1876184	ROD, PUSH	6	6	6912-575-1680-0	
7-51	1876187	ARM, ROCKER C ASSY	3	3	6912-611-3470-0	
7-51-1	1876188	ARM, ROCKER D ASSY	3	3	6912-611-3490-0	
7-53	1876190	SCREW, ADJ	6	6	6912-616-0230-0	
7-54	1876072	NUT	6	6	6909-111-1080-0	
7-56	1872157	SHAFT, ROCKER ARM	1	1	6912-621-1270-0	
7-57	1876192	PLUG	2	2	6912-626-0050-0	
7-58	1876193	BRACKET, ROCKER SHAFT	3	3	6912-628-0930-0	
7-59	1876121	SPRING	2	2	6909-940-6070-0	
7-61	1876083	RING, SNAP C	2	2	6909-180-0190-0	
7-64	1876027	BOLT	4	4	6901-050-8500-0	
7-66	1876080	WASHER	4	4	6909-164-0080-0	
7-67	1876071	NUT, ROCKER BRACKET	2	2	6909-110-5080-0	
7-68	1876081	WASHER	2	2	6909-164-5080-0	

Fig.8 OIL FILTER, FUEL FILTER AND FIXING PARTS

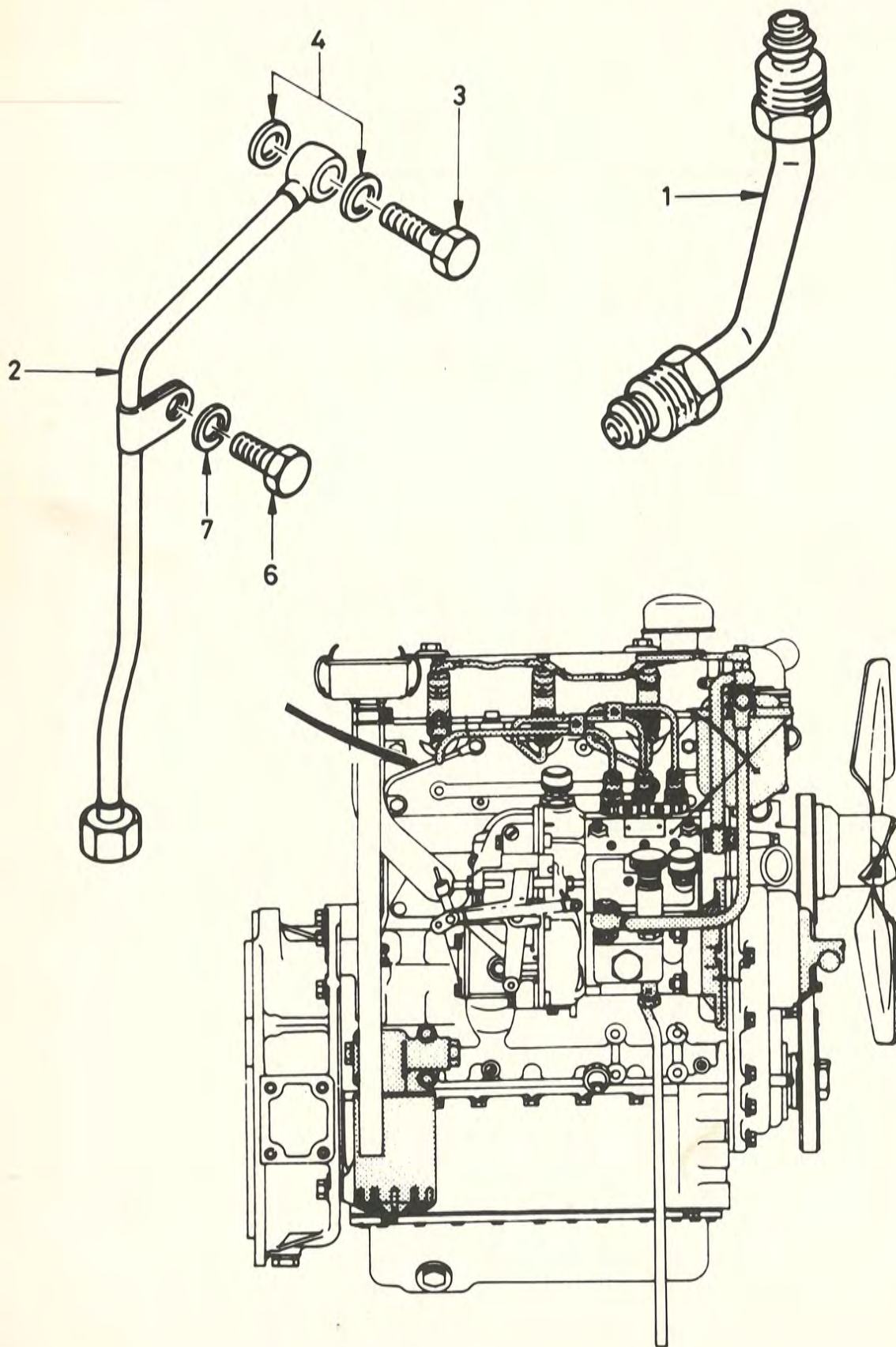


70



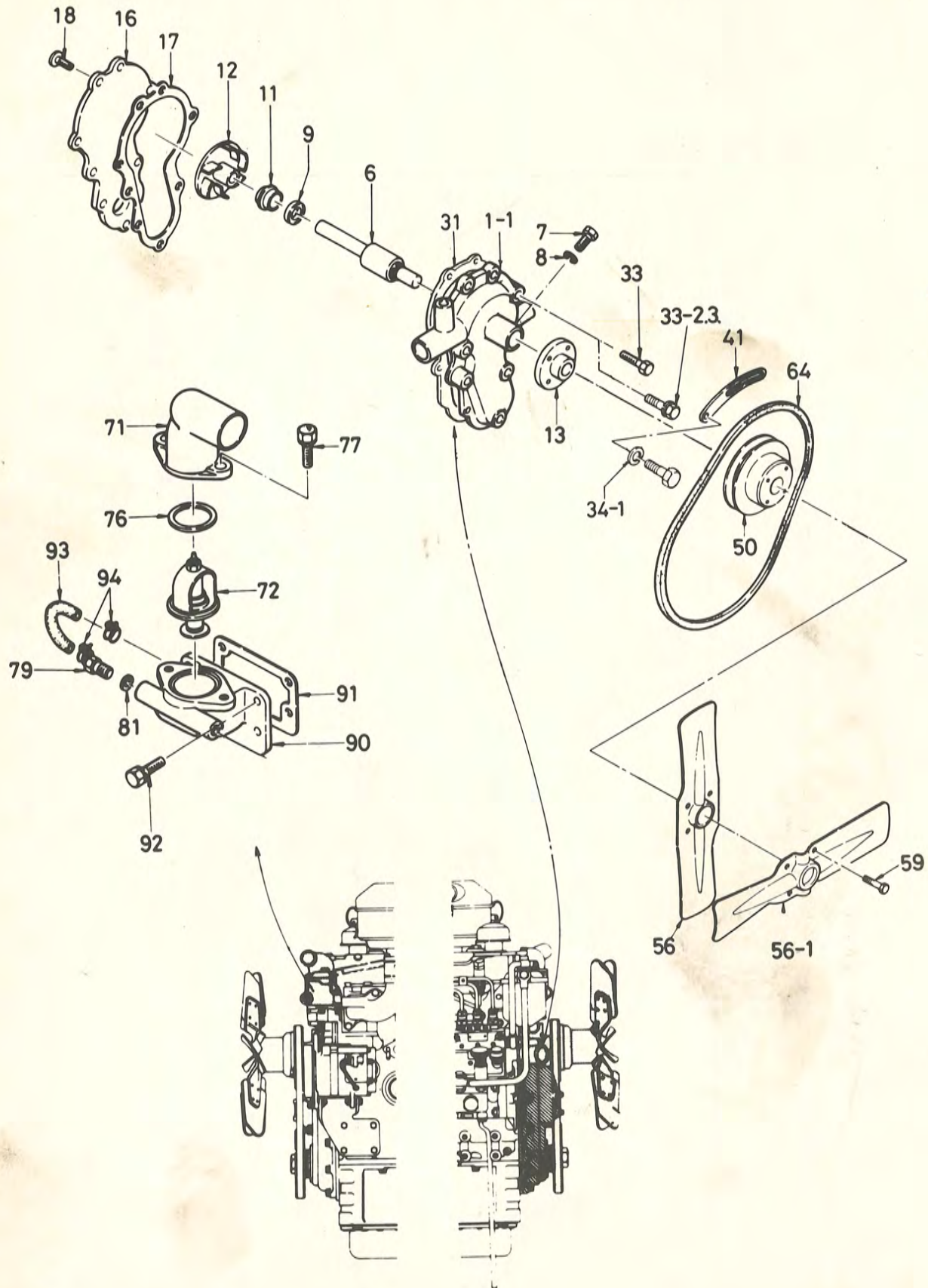
Ref.No.		Description	Q'ty		ISEKI Parts No.	Remarks
			2WD	4WD		
8- 1-1	1876207	FILTER, OIL ASSY	1	1	6913-201-8121-0	Included 2~34
8- 2	1872167	CARTRIDGE	1	1	6913-240-8040-0	
8- 6-1	1876206	COVER ASSY	1	1	6913-160-0810-0	Included 24~34
8-24	1876114	PACKING, O-RING	1	1	6909-920-8410-0	
8-28	1872170	VALVE, RELIEF ASSY	1	1	6909-316-0680-0	Included 29
8-29	1876110	PACKING, O-RING	1	1	6909-920-5250-0	
8-32	1876024	BALL, SAFETY VALVE	1	1	6900-097-0110-0	
8-33	1876120	SPRING, COIL	1	1	6909-940-5820-0	
8-34	1876210	CAP, VALVE SPRING	1	1	6913-263-0110-0	
8-70-1	1872175	FILTER, FUEL ASSY	1	1	6513-200-0160-0	Included 71-2~86
8-72-2	1872176	ELEMENT KIT, FUEL FILTER	1	1	6587-810-0370-0	Included 73~76
8-73	1872177	PACKING, ELEMENT	2	2	6909-720-5420-0	
8-74	1872178	PACKING	1	1	6913-213-6010-0	
8-75	1872179	O-RING, CENTER BOLT	1	1	6909-720-5410-0	
8-76	1872180	O-RING, DRAIN PLUG	1	1	6909-920-2550-0	
8-77	1872181	PACKING, VALVE	2	2	6909-572-0140-0	
8-80-1	1872182	COVER, UP FUEL FILTER	1	1	6913-212-8040-0	
8-81	1872183	BOLT, CENTER	1	1	6513-231-0010-0	
8-82	1872184	SEAT, SPRING	1	1	6909-651-0680-0	
8-83	1872185	SPRING, ELEMENT SET	1	1	6909-742-1090-0	
8-84	1872186	PLUG, DRAIN	1	1	6909-862-0680-0	
8-86-1	1872187	VALVE, OVER FLOW ASSY	1	1	6913-260-0561-0	
8-91-1	1872188	BRACKET, FUEL FILTER	1	1	6919-755-6080-0	
8-92	1872189	BOLT	2	2	6902-060-8180-0	
8-93	1872190	WASHER, SP	2	2	6909-150-6080-0	
8-94	1876081	WASHER	2	2	6909-164-5080-0	
8-96	1872192	BOLT, SEMS	2	2	6901-971-0350-0	
8-100	1872193	PACKING, OIL FILTER	1	1	6513-219-0230-0	
8-101	1876039	BOLT, SEMS/M8 × 35	3	3	6901-900-8350-0	
8-101-2	1872096	BOLT, SEMS/M8 × 75	1	1	6901-045-8750-0	

Fig.9 OIL PIPE AND OTHER PARTS



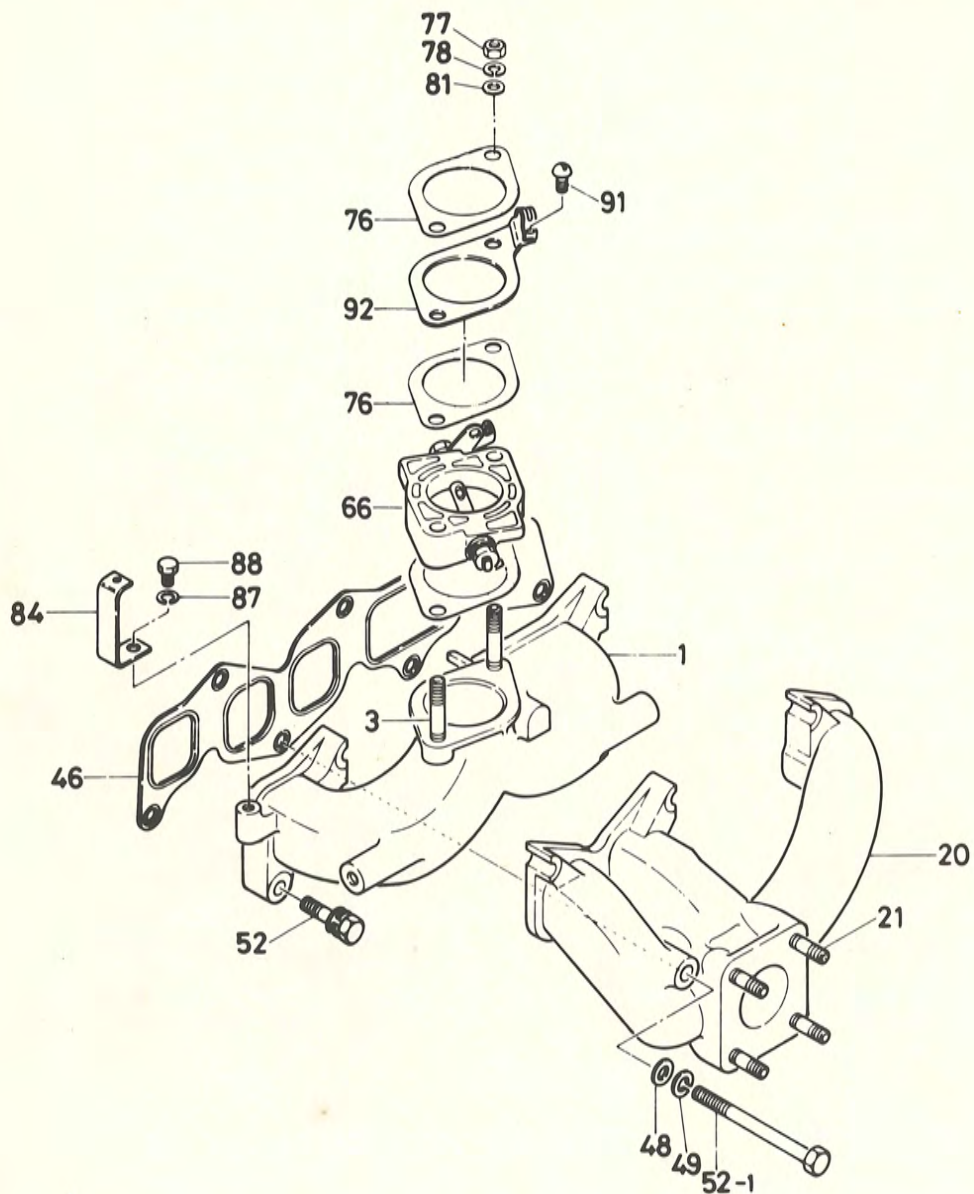
Ref.No.		Description	Q'ty		ISEKI Parts No.	Remarks
			2WD	4WD		
9- 1	1876211	PIPE, OIL ASSY	1	1	6913-312-3250-0	
9- 2	1876212	PIPE, OIL ASSY	1	1	6913-312-3350-0	
9- 3	1872198	BOLT, JOINT	1	1	6909-906-1051-0	
9- 4	1876116	PACKING	2	2	6909-920-9000-0	
9- 6	1876051	BOLT	1	1	6902-040-8140-0	
9- 7	1876076	WASHER, SP	1	1	6909-150-5080-0	

Fig.10 COOLING SYSTEM (FAN, WATER)



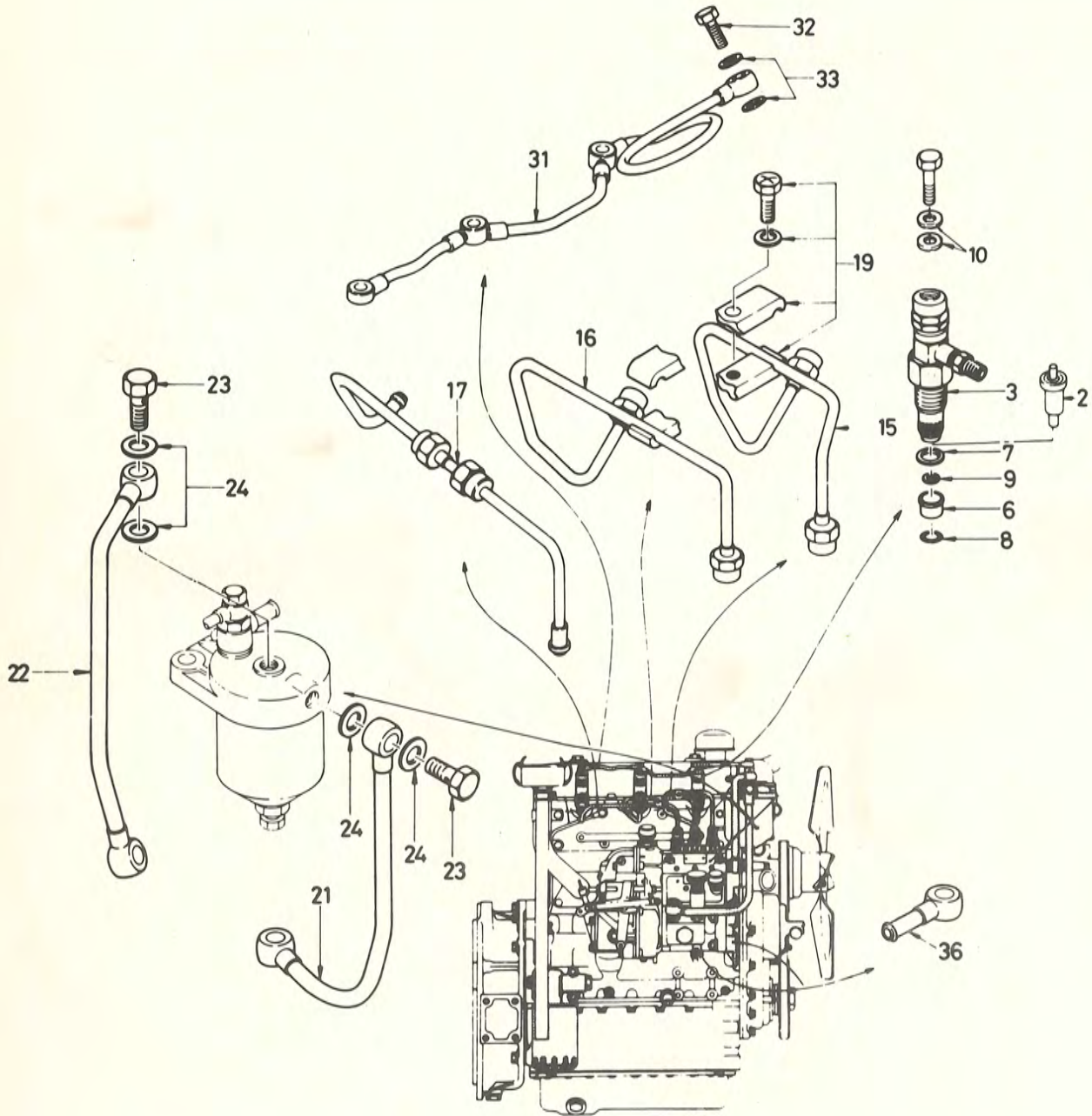
Ref.No.		Description	Q'ty		ISEKI Parts No.	Remarks
			2WD	4WD		
10- 1-1	1872202	PUMP, WATER ASSY	1	1	6513-610-0762-0	Included 6~18
10- 6	1875968	BEARING UNIT	1	1	6513-631-0050-0	
10- 7	1876101	SCREW, SET	1	1	6909-814-0141-0	
10- 8	1876076	WASHER, SP	1	1	6909-150-5080-0	
10- 9	1876220	THROWER, BEARING UNIT	1	1	6913-639-0010-0	
10-11	1872207	SEAL UNIT ASSY	1	1	6894-236-6870-0	
10-12	1876219	IMPELLER	1	1	6913-621-0760-0	
10-13	1876223	FAN, CENTER	1	1	6913-642-0800-0	
10-16	1876214	COVER, WATER PUMP BODY	1	1	6913-612-0530-0	
10-17	1876216	PACKING	1	1	6913-613-6070-0	
10-18	1876059	SCREW, SLOTTED	1	1	6903-040-8160-0	
10-31	1876217	PACKING	1	1	6913-614-0430-0	
10-33	1872214	BOLT	1	1	6901-056-0550-0	
10-33-2	1875926	BOLT, SEMS	4	4	6509-000-0880-0	
10-33-3	1872216	BOLT, SEMS	1	1	6509-000-0890-0	
10-34-1	1876077	WASHER, SP	1	1	6909-150-5100-0	
10-41	1875969	PLATE, FAN BELT ADJ	1	1	6513-674-0400-0	
10-50-2	1876222	PULLEY	1	1	6913-641-6090-0	
10-56	1872220	BLADE, LW/D=380	1	1	6913-662-1451-0	
10-56-1	1872221	BLADE, UP/D=380	1	1	6913-662-1442-0	
10-64-2	1876225	BELT, COOLING FAN/988	1	1	6913-671-8080-0	
10-71-1	1872223	PIPE, WATER OUTLET	1	1	6913-713-0380-0	
10-72	1872224	THERMOSTAT	1	1	6513-770-0221-0	
10-76	1876092	PACKING	1	1	6509-637-0130-0	
10-77-1	1876100	BOLT	2	2	6901-910-8280-0	
10-79	1872227	PLUG, THERMOMETER	1	1	6909-661-0050-0	
10-81	1872228	PACKING, PLUG	1	1	6909-571-3160-0	
10-90	1876105	HOUSING, THERMOSTAT	1	1	6513-716-0280-0	
10-91	1872230	PACKING	1	1	6513-743-0210-0	
10-92	1872231	BOLT, SEMS/M8 x 20	2	2	6901-900-8200-0	
10-92-2	1876038	BOLT, SEMS/M8 x 22	2	2	6901-900-8220-0	
10-93-1	1872233	HOSE, BY-PASS/RUBBER	1	1	6913-721-1342-0	
10-94	1872234	CLIP, HOSE	2	2	6909-915-6441-0	
	1872235	REPAIR KIT	1	1	6587-810-0410-0	Included 12-6, 9, 11, 12, 17, 31

Fig.11 AIR INTAKE AND EXHAUST SYSTEM



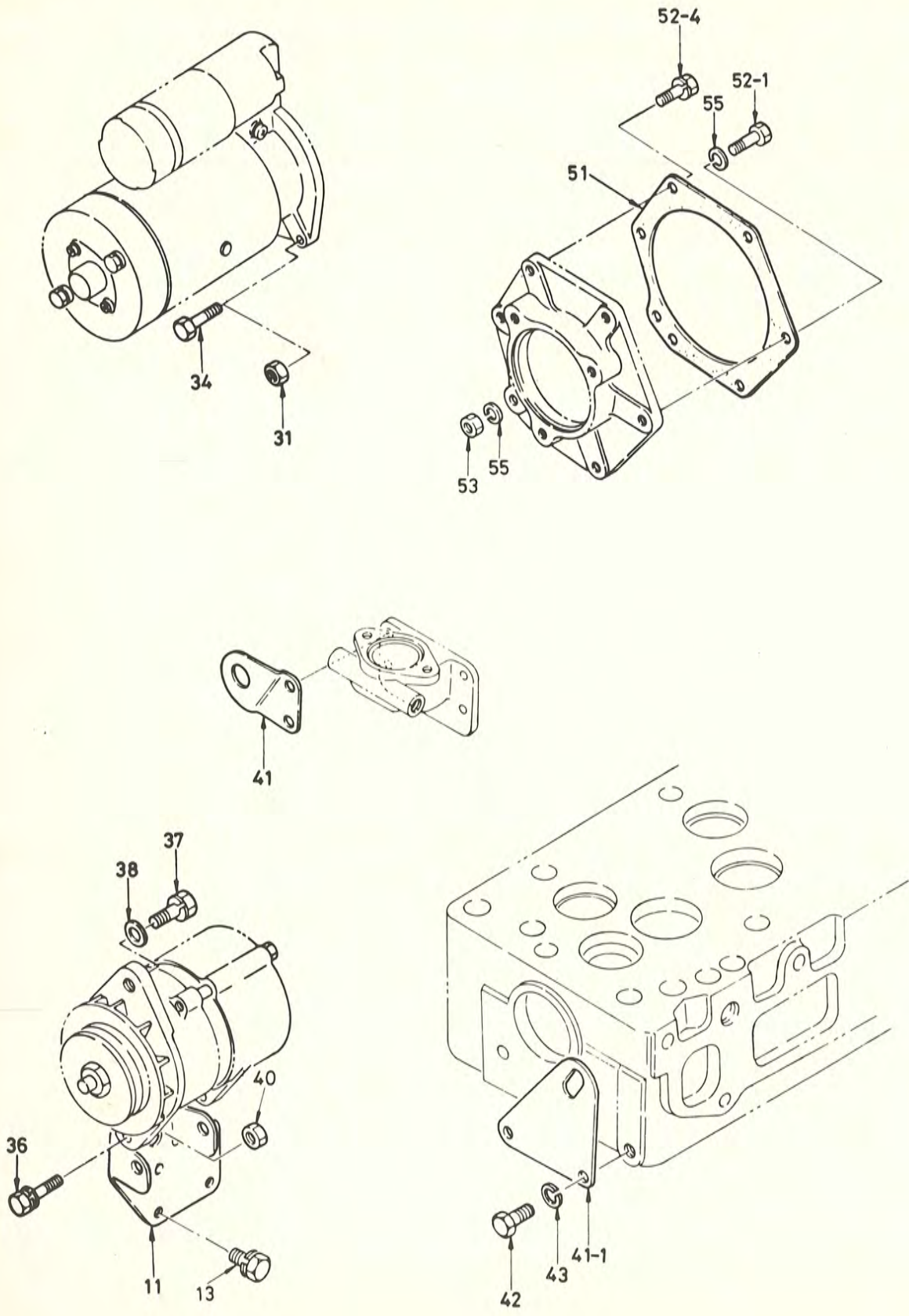
Ref.No.		Description	Q'ty		ISEKI Parts No.	Remarks
			2WD	4WD		
11- 1	1872236	MANIFOLE, INLET	1	1	6514-111-0032-0	
11- 3	1876060	STUD	2	2	6904-100-8480-0	
11-20-1	1872238	MANIFOLD, EXH	1	1	6514-141-0060-0	
11-21	1876063	STUD, EXH MANIFOLD	4	4	6904-110-8300-0	
11-46	1872240	GASKET, MANIFOLD	1	1	6914-146-0900-0	
11-48	1876081	WASHER	1	1	6909-164-5080-0	
11-49	1876076	WASHER, SP	1	1	6909-150-5080-0	
11-52	1876045	BELT, SEMS	6	6	6901-960-8350-0	
11-52-1	1872244	BOLT	1	1	6901-045-8950-0	
11-66-4	1876230	SHUTTER, INTAKE ASSY	1	1	6914-320-6521-0	
11-76	1876159	PACKING	2	2	6509-637-0150-0	
11-76-1	1872246	PACKING, INLET PIPE	1	1	6509-637-0150-0	
11-77	1876069	NUT	2	2	6909-110-4080-0	
11-78	1876076	SPRING, WASHER	1	1	6909-150-5080-0	
11-81	1876081	WASHER	2	2	6909-164-5080-0	
11-84-2	1872250	EYE, SPRING	1	1	6914-334-6400-0	
11-87-1	1876075	WASHER, SP	1	1	6909-150-5060-0	
11-88-1	1872252	BOLT	1	1	6902-040-6100-0	
11-91-2	1872253	BOLT, SLOTTED	1	1	6909-812-0210-0	
11-92-2	1875973	CLIP, SHUTTER CABLE	1	1	6514-319-1000-0	

Fig.12 FUEL SYSTEM



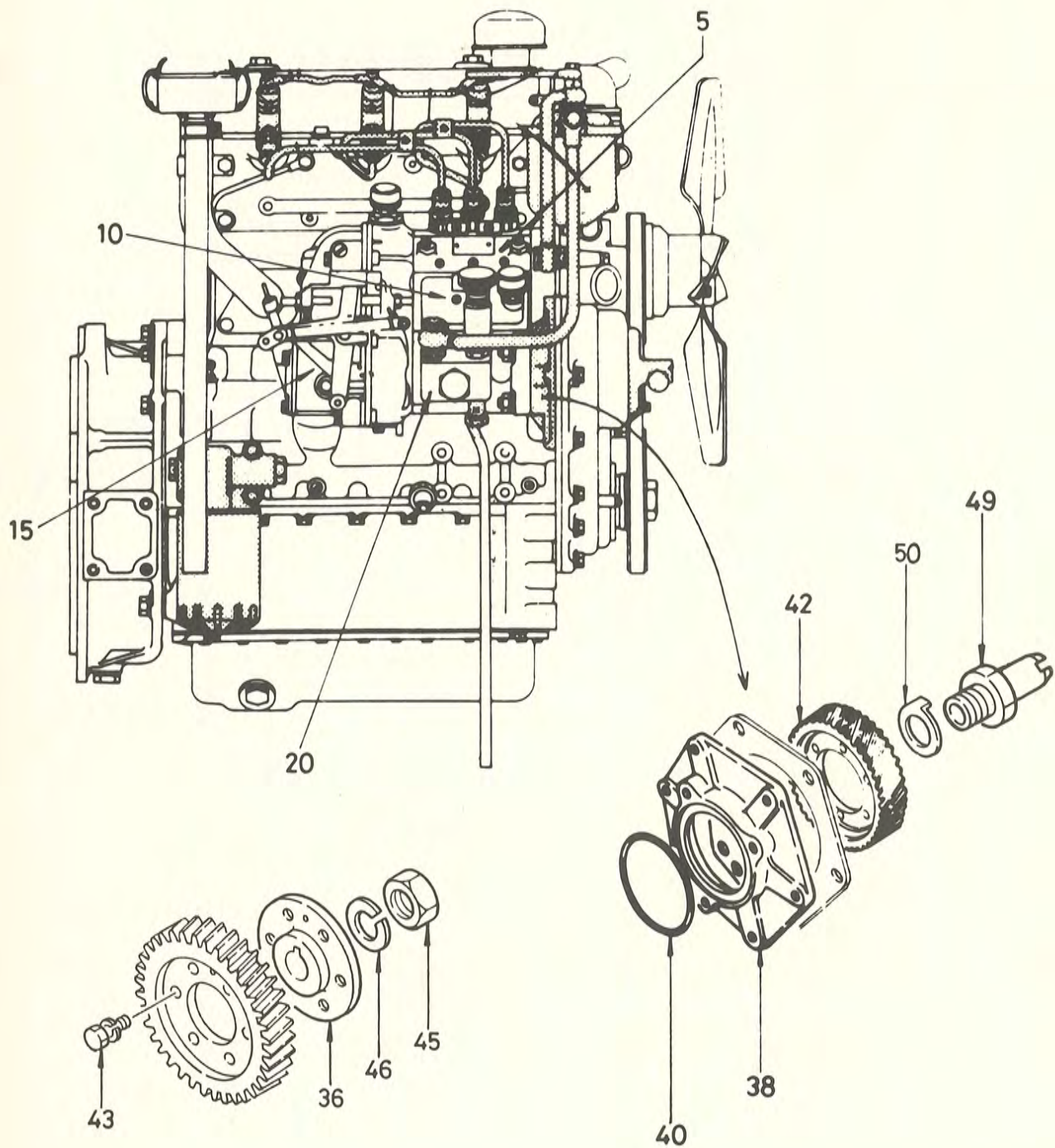
Ref.No.		Description	Q'ty		ISEKI Parts No.	Remarks
			2WD	4WD		
12- 2	1875974	NOZZLE	3	3	6515-311-0060-0	
12- 3	1875975	HOLDER, NOZZLE	3	3	6515-330-0030-0	
12- 6	1876162	SHIELD, HEAT	3	3	6915-315-0270-0	
12- 7	1876232	WASHER, NOZZLE HOLDER	3	3	6915-315-0260-0	
12- 8	1876233	WASHER, HEAT SHIELD	3	3	6915-315-0280-0	
12- 9	1876234	WASHER, CORRUGATED	3	3	6915-315-0740-0	
12-10	1872261	PACKING, COMET	6	6	6909-571-4080-0	
12-15-1	1872262	PIPE, INJ ASSY/NO. 1	1	1	6915-421-6120-0	
12-16-1	1872263	PIPE, INJ ASSY/NO. 2	1	1	6915-421-6130-0	
12-17	1872264	PIPE, INJ ASSY/NO. 3	1	1	6915-421-6140-0	
12-19	1876239	CLIP ASSY	2	2	6915-419-0720-0	
12-21	1872266	PIPE, FUEL ASSY	1	1	6515-411-0580-0	
12-22	1872267	PIPE, FUEL ASSY	1	1	6515-411-0590-0	
12-23	1872268	BOLT, JOINT	2	2	6909-906-3251-0	
12-24	1872181	PACKING, JOINT BOLT	4	4	6909-572-0140-0	
12-31-1	1872270	PIPE, LEAK OFF FUEL	1	1	6515-411-2570-0	
12-32	1872271	BOLT, JOINT	1	1	6909-906-3141-0	
12-33	1876089	PACKING, PIPE JOINT	2	2	6909-571-4080-0	
12-36-1	1872273	PIPE, FUEL RETURN	1	1	6515-411-2231-0	
12-36-2	1872274	JOINT, EYE	1	1	6515-411-5680-0	

Fig.13 ENGINE FOOT, HANGER AND FIXING PARTS



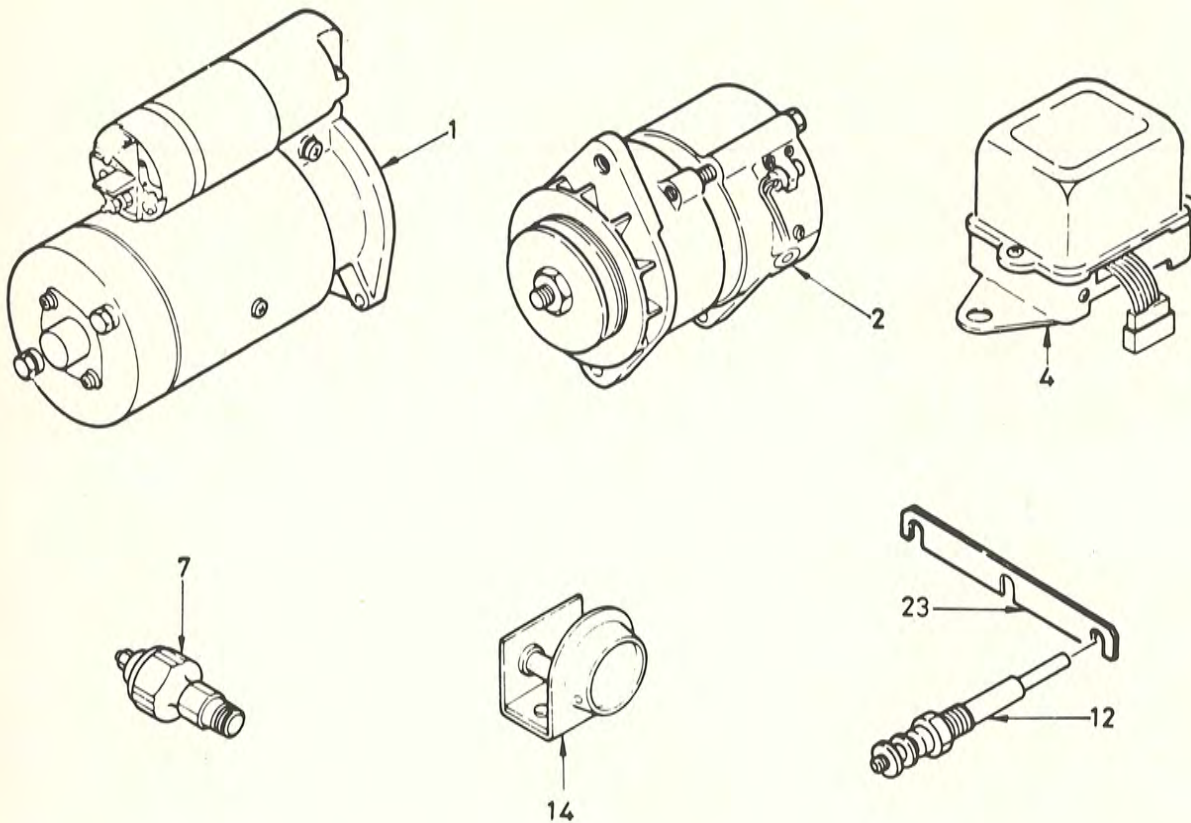
Ref.No.		Description	Q'ty		ISEKI Parts No.	Remarks
			2WD	4WD		
13-11	1872275	BRACKET, GENERATOR	1	1	6919-711-6010-0	
13-13-1	1872276	BOLT, SEMS	4	4	6901-911-0200-0	
13-31	1876073	NUT	2	2	6909-120-4120-0	
13-34-1	1872278	BOLT, SEMS	2	2	6901-931-2450-0	
13-36	1876047	BOLT, SEMS	2	2	6901-970-8300-0	
13-37	1876041	BOLT, SEMS	1	1	6901-910-8200-0	
13-38	1876082	WASHER	1	1	6909-164-7080-0	
13-40	1876071	NUT	2	2	6909-110-5080-0	
13-41	1872283	HANGER, ENGINE F.	1	1	6511-777-0040-0	
13-41-1	1872284	HANGER, ENGINE R.	1	1	6911-777-1521-0	
13-42	1872285	BOLT	2	2	6901-910-8180-0	
13-43	1876076	WASHER, SP	2	2	6909-150-5080-0	
13-51-1	1875936	PACKING	1	1	6511-319-0560-0	
13-52-1	1876029	BOLT	1	1	6901-055-8550-0	
13-52-2	1876030	BOLT	1	1	6901-055-8700-0	
13-52-4	1875928	BOLT, SEMS	3	3	6509-030-0150-0	
13-53	1876069	NUT	1	1	6909-110-4080-0	
13-55-1	1876067	WASHER, SP	3	3	6909-150-5080-0	

Fig.14 INJECTION PUMP AND OTHER PARTS



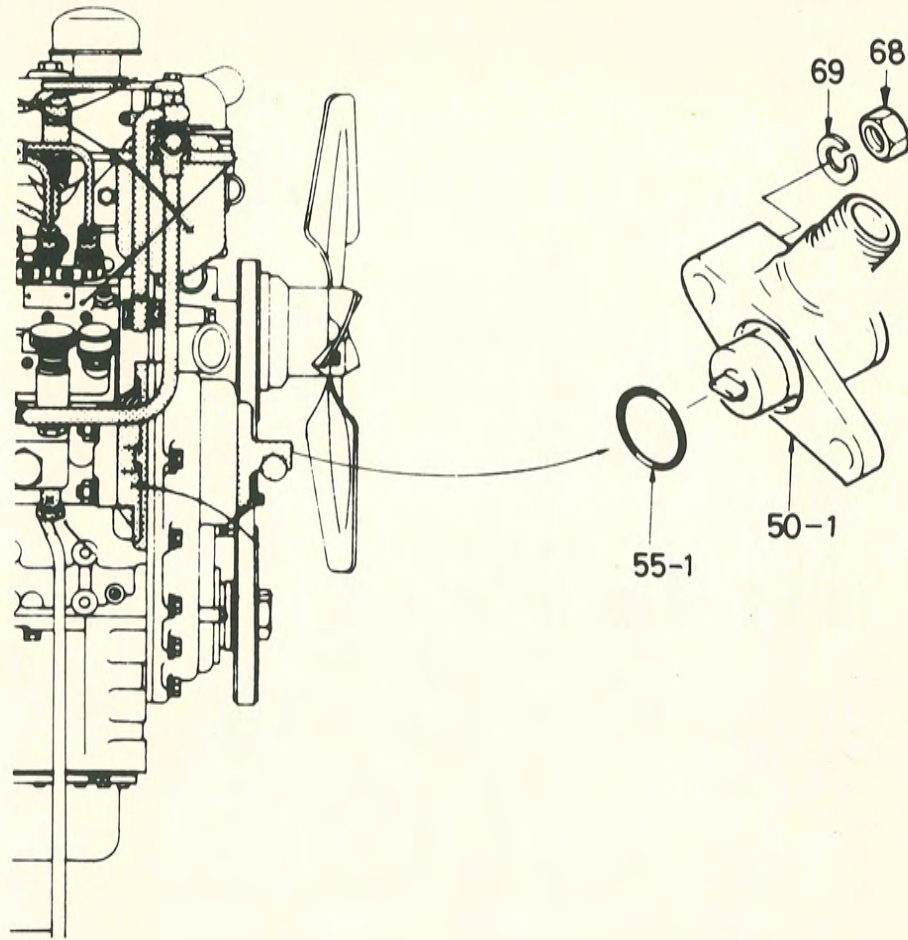
Ref.No.		Description	Q'ty		ISEKI Parts No.	Remarks
			2WD	4WD		
14- 5-2	1872293	PUMP, FUEL INJ ASSY	1	1	6515-600-4850-0	Included 10-2~20
14-10-2		PUMP, INJ PROPER	1	1		△See Fig. 17
14-15	1872294	GOVERNOR	1	1	6515-720-0050-0	See Fig. 18
14-20	1872295	PUMP, FEED	1	1	6515-750-0040-0	See Fig. 19
14-36-1	1872296	COUPLING, PUMP SIDE	1	1	6515-782-0020-0	
14-38-1	1872297	BRACKET, INJ PUMP	1	1	6519-751-0030-0	
14-40	1872298	PACKING	1	1	6909-920-5760-0	
14-42-1	1872299	GEAR, INJ PUMP/42T	1	1	6515-619-0270-0	
14-43	1876036	BOLT	6	6	3901-900-6140-0	
14-45	1872299	NUT	1	1	6515-619-0270-0	
14-46	1872302	WASHER, SP	1	1	6515-789-0010-0	
14-49-1	1872303	ADAPTER, TACHO DRIVE	1	1	6512-539-0010-0	
14-50	1872304	PLATE, LOCK	1	1	6515-789-0020-0	

Fig.15 ELECTRICAL PARTS



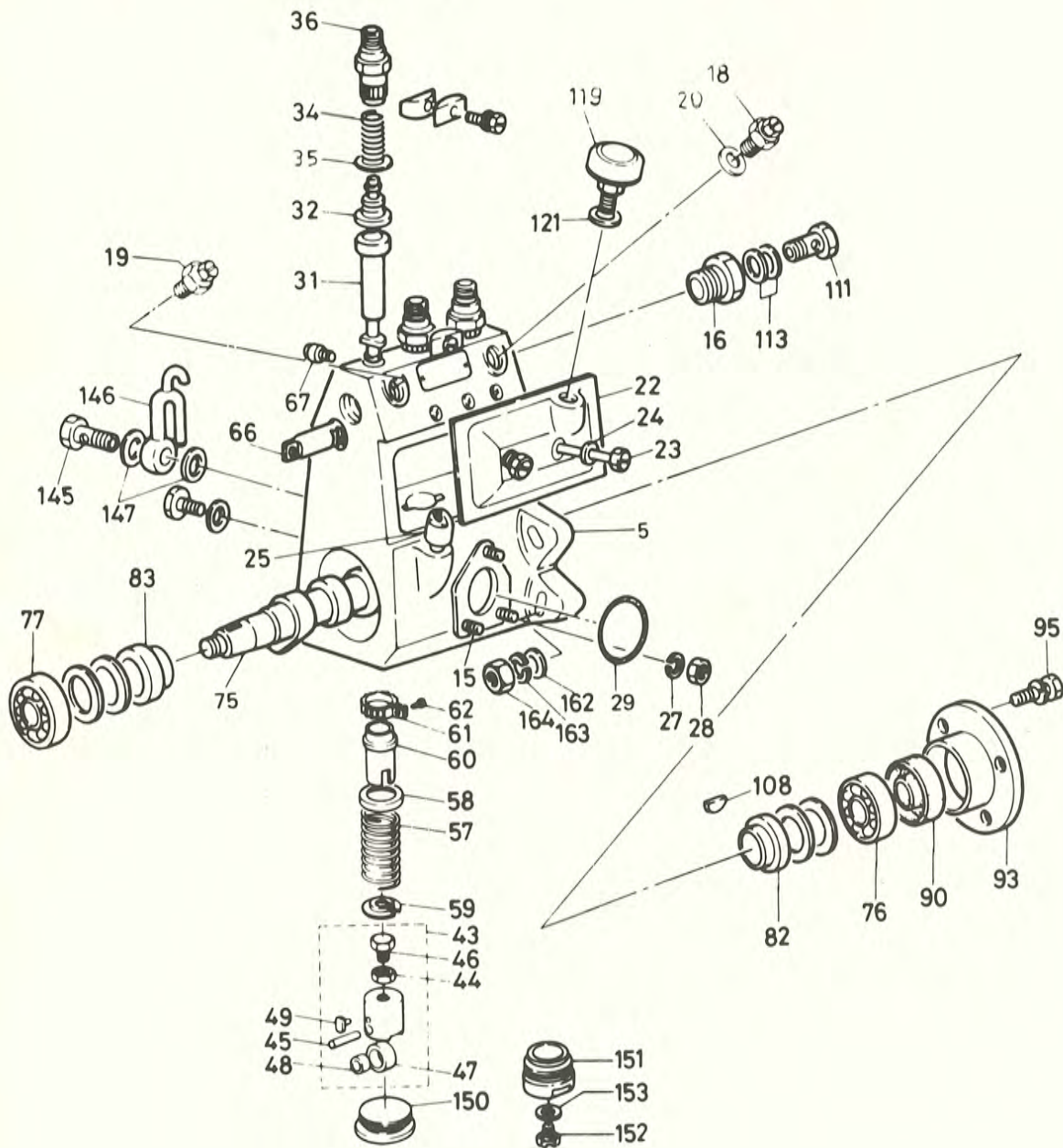
Ref.No.		Description	Q'ty		ISEKI Parts No.	Remarks
			2WD	4WD		
15- 1-1	1876255	STARTER/12V-1.8KW	1	1	6982-100-6081-0	See Fig. 20
15- 2-4	1876182	GENERATOR/12V-20A	1	1	6581-200-2720-0	See Fig. 21
15- 4	1876277	REGULATOR	1	1	6982-253-1070-0	
15- 7	1872308	SWITCH, OIL PRESS WARNING	1	1	6582-410-0121-0	
15-12	1876278	PLUG, GLOW/SHEATHED TYPE	3	3	6982-511-9780-0	
15-14	1872310	CONTROL RESISTANCE	1	1	6982-530-1010-0	
15-23	1872311	CONNECTOR	1	1	6919-732-0750-0	

Fig.16 ENGINE ACCESSORY PARTS



Ref.No.		Description	Q'ty		ISEKI Parts No.	Remarks
			2WD	4WD		
16-50-1	1872312	DRIVE, TACHOMETER ASSY	1	1	6519-310-0020-0	
16-55-1	1872313	PACKING, TACHOMETER DRIVE	1	1	6509-623-0030-0	
16-68	1876069	NUT	2	2	6909-110-4080-0	
16-69	1876076	WASHER, SP	2	2	6909-150-5080-0	

Fig.17 INJECTION PUMP; PROPER

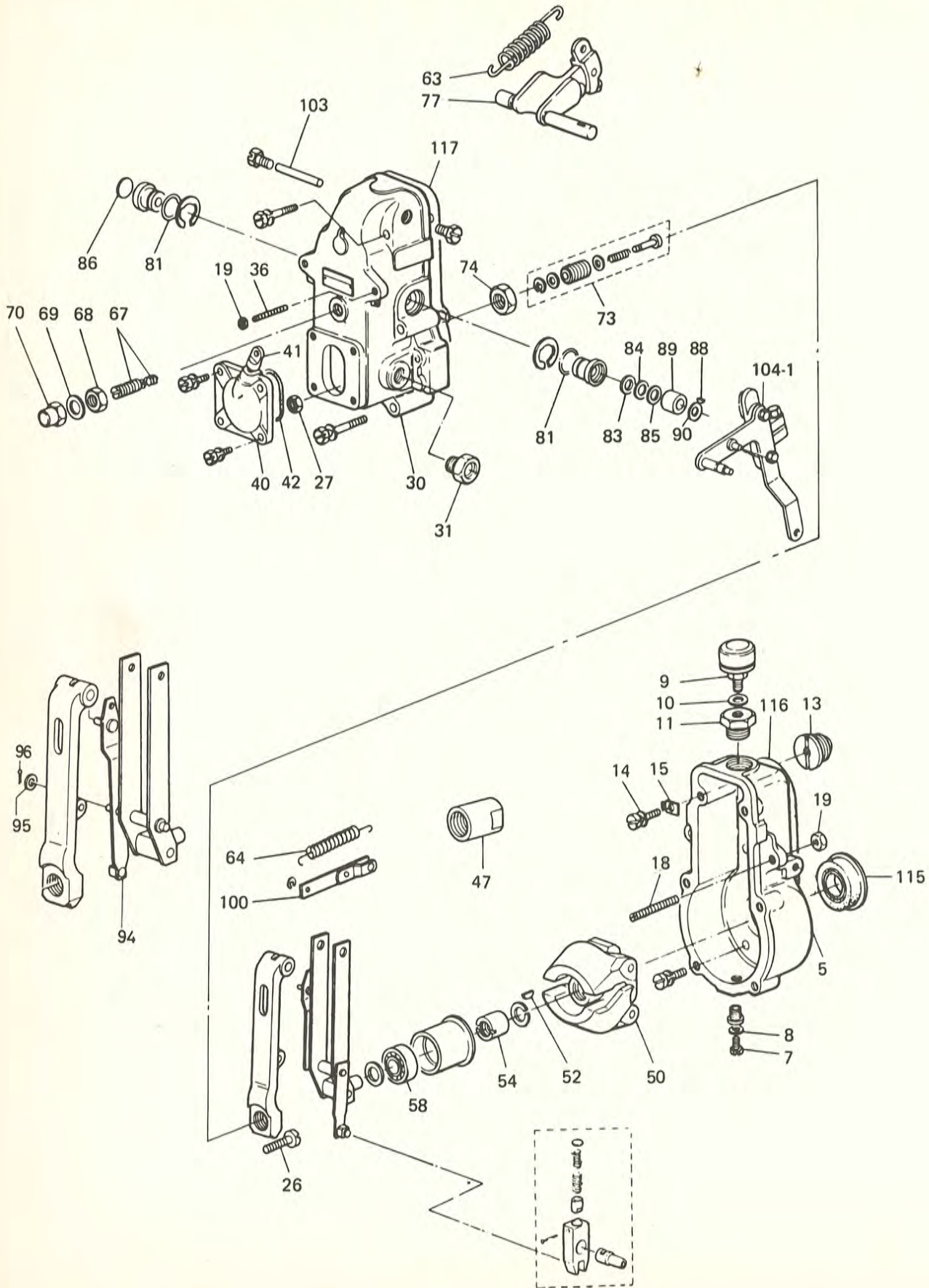


Ref.No.		Description	Q'ty		ISEKI Parts No.	Remarks	
			2WD	4WD			
17- 5	1872316	HOUSING, PUMP ASSY	1	1	6515-611-0320-0	Included 15~20	
17-15	1872317	STUD, HOUSING	3	3	6981-215-1150-0		
17-18	1872318	BOLT, HOUSING	1	1	6115-619-0240-0		
17-19	1872319	PLUG, HOUSING	1	1	6515-619-0950-0		
17-20	1872320	GASKET, HOUSING BOLT	1	1	6115-639-0080-0		
17-22	1872321	COVER, HOUSING SIDE	1	1	6981-213-2060-0		
17-23	1872322	SCREW	2	2	6981-215-3300-0		
17-24	1872323	GASKET, SCREW	2	2	6981-215-1380-0		
17-25	1872324	GAUGE, LEVEL	1	1	6981-211-5320-0		
17-27	1876075	WASHER, SP	3	3	6909-150-5060-0		
17-28	1872326	NUT	3	3	6909-110-4060-0		
17-29	1872327	O-RING	1	1	6109-623-0130-0		
17-31	1872328	PLUNGER ASSY	3	3	6515-631-0130-0		
17-32	1872329	VALVE, DEL	3	3	6981-241-1030-0		
17-34	1872330	SPRING, DEL VALVE	3	3	6981-241-3030-0		
17-35	1872331	GASKET, DEL VALVE	3	3	6981-245-0140-0		
17-36	1872332	HOLDER, DEL VALVE	3	3	6981-241-4060-0		
17-40	1872333	PLATE ASSY	2	2	6515-649-0160-0		Included 44~49
17-43	*	TAPPET ASSY	3	3	6115-622-0010-0		
17-44	1872335	NUT, TAPPET	3	3	6988-410-2650-0		
17-45	1872336	PIN, TAPPET	3	3	6981-221-2200-0		
17-46	1872337	BOLT, TAPPET	3	3	6981-221-2090-0		
17-47	1872338	ROLLER, TAPPET	3	3	6115-622-0030-0		
17-48	1872339	BUSH, TAPPET	3	3	6115-629-0010-0		
17-49	1872340	GUIDE, TAPPET	3	3	6981-221-2250-0		
17-57	1872341	SPRING, PLUNGER	3	3	6981-231-4040-0		
17-58	1872342	SEAT, PLUNGER SPRING	3	3	6981-235-0150-0		
17-59	1872343	SEAT, PLUNGER SPRING	3	3	6981-235-0160-0		
17-60	1872344	SLEEVE, PLUNGER CONTROL	3	3	6981-225-0580-0		
17-61	1872345	PINION, CONTROL SLEEVE	3	3	6981-225-0570-0		
17-62	1872346	SCREW, PINION	3	3	6981-235-0030-0		
17-66	1872347	RACK, CONTROL	1	1	6515-637-0040-0		
17-67	1872348	SCREW, CONTROL RACK	1	1	6115-639-0030-0		
17-75	1872349	CAMSHAFT	1	1	6515-621-0110-0		
17-76	1872350	BEARING, BALL	1	1	6900-090-2330-0		
17-77	1872351	BEARING, BALL	1	1	6900-090-0660-0		
17-82	1872352	RING, CAMSHAFT	1	1	6981-225-0590-0		
17-83	1872353	RING, CAMSHAFT	1	1	6981-125-0450-0		
17-84	1872354	SHIM, CAMSHAFT/T=0.10	AR	AR	6981-225-0270-0		
17-84	1872355	SHIM, CAMSHAFT/T=0.12	AR	AR	6981-225-0280-0		
17-84	1872356	SHIM, CAMSHAFT/T=0.14	AR	AR	6981-225-0290-0		
17-84	1872357	SHIM, CAMSHAFT/T=0.16	AR	AR	6981-225-0300-0		
17-84	1872358	SHIM, CAMSHAFT/T=0.18	AR	AR	6981-225-0310-0		
17-84	1872359	SHIM, CAMSHAFT/T=0.50	AR	AR	6981-225-0320-0		
17-84	1872360	SHIM, CAMSHAFT/T=1.00	AR	AR	6515-619-0380-0		

*Order individual parts

Ref.No.		Description	Q'ty		ISEKI Parts No.	Remarks
			2WD	4WD		
17-84	1872361	SHIM, CAMSHAFT/T=0.30	AR	AR	6988-410-4090-0	
17-84	1872362	SHIM, CAMSHAFT/T=0.70	AR	AR	6515-619-0390-0	
17-84	1872363	SHIM, CAMSHAFT	AR	AR	6115-619-0900-0	
17-90	1872364	SEAL, OIL	1	1	6981-225-0410-0	
17-93	1872365	COVER, HOUSING	1	1	6981-213-2070-0	
17-95	1872366	BOLT	4	4	6988-410-4690-0	
17-108	1872367	KEY, WOODRUFF	1	1	6981-325-3010-0	
17-111	1872368	BOLT, JOINT	1	1	6909-906-3250-0	
17-113	1872369	PACKING, JOINT BOLT	2	2	6115-759-0010-0	
17-119	1872370	BREATHER, AIR	1	1	6981-215-0610-0	
17-121	1872320	GASKET, PLUG COVER	1	1	6115-639-0080-0	
17-151	1872372	PLUG, TAPPET	3	3	6981-215-0780-0	
17-164	1872373	NUT	4	4	6515-639-0020-0	
17-121	1872320	GASKET, PLUG	1	1	6115-639-0080-0	
17-145	1872375	BOLT, JOINT	1	1	6981-215-1460-0	
17-146	1872376	EYE, OVER FLOW	1	1	6981-391-5070-0	
17-147	1872377	GASKET	1	1	6981-391-7030-0	
17-150	1872378	PLUG, TAPPET	1	1	6515-729-0020-0	
17-151	1872372	PLUG, TAPPET	3	3	6981-215-0780-0	
17-152	1872380	PLUG, TAPPET	2	2	6981-215-0040-0	
17-153	1872381	GASKET, PLUG	2	2	6115-639-0090-0	
17-162	1872382	WASHER	4	4	6909-160-6100-0	
17-163	1872383	WASHER, SP	4	4	6988-410-2220-0	
17-164	1872373	NUT, BRACKET	4	4	6515-639-0020-0	

Fig. 18 GOVERNOR (MECHANICAL); INJECTION PUMP

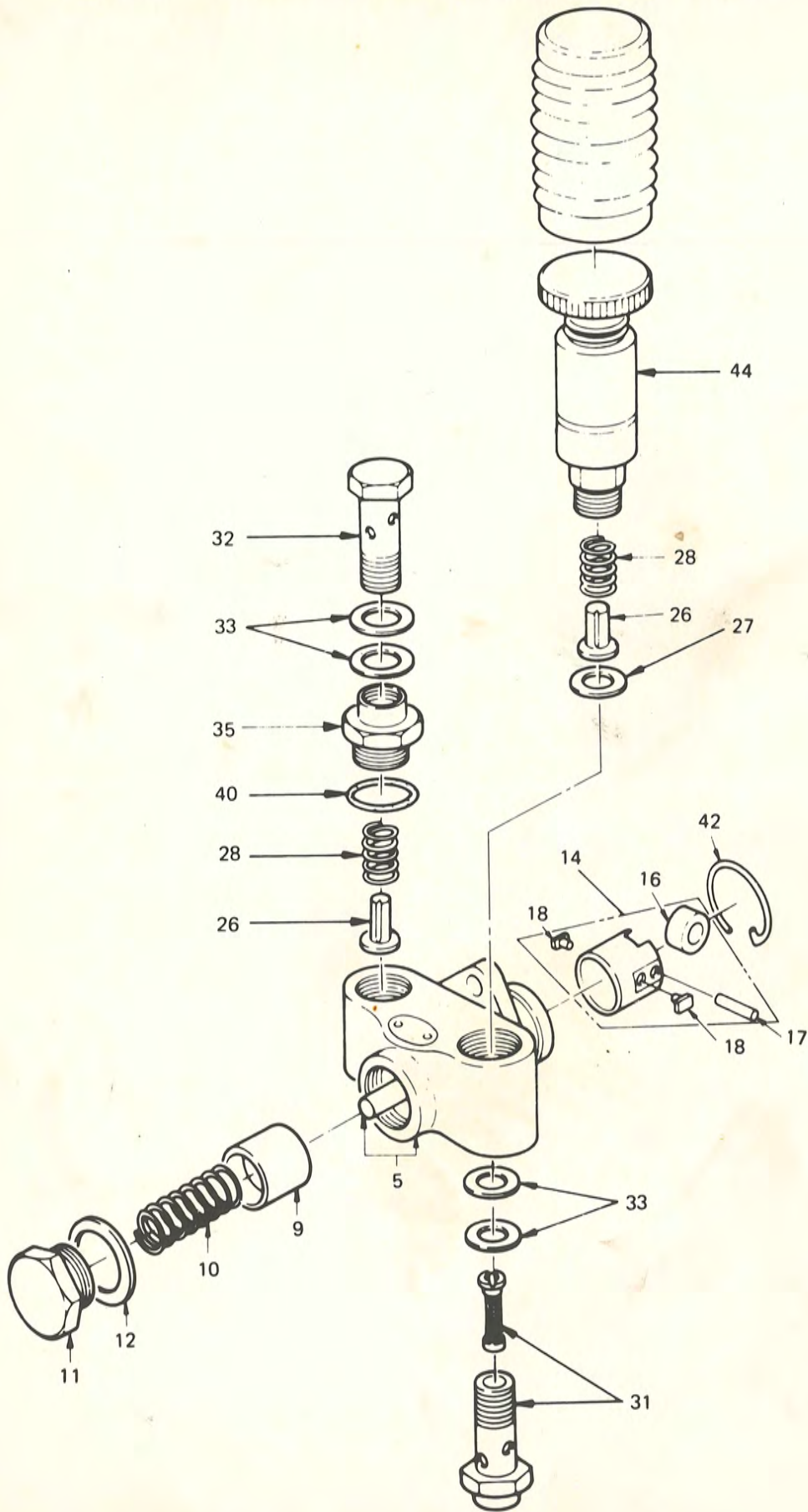


Ref.No.		Description	Q'ty		ISEKI Parts No.	Remarks
			2WD	4WD		
18-0-1	1872294	GOVERNOR ASSY	1	1	6515-720-0050-0	Included 5~117
18-5	1872386	HOUSING, GOVERNOR	1	1	6515-721-0070-0	
18-6	1872387	ADAPTER, HOUSING	1	1	6515-729-1160-0	
18-7	1872388	PLUG, HOUSING	1	1	6515-729-0980-0	
18-8	1872389	GASKET, PLUG	1	1	6981-315-0620-0	
18-9	1872390	BREATHER, AIR	1	1	6981-315-2140-0	
18-10	1872320	GASKET, AIR BREATHER	1	1	6115-639-0080-0	
18-11	1872392	ADAPTER, HOUSING	1	1	6981-326-1240-0	
18-13	1872393	ADAPTER, HOUSING	1	1	6981-315-0650-0	
18-14	1872394	BOLT	1	1	6901-900-8180-0	
18-15	1872395	PLATE, HOUSING	1	1	6981-325-3970-0	
18-16	1876136	BOLT	6	6	6901-900-6140-0	
18-18	1872397	SCREW	1	1	6981-325-2000-0	
18-19	1872398	NUT, LOCK	2	2	6981-325-2370-0	
18-26	1872399	SCREW	1	1	6981-325-1820-0	
18-27	1872400	NUT	1	1	6981-326-1120-0	
18-30	1872401	COVER, GOVERNOR	1	1	6515-721-0080-0	
18-32	1872402	PLUG, TENSION LEVER	2	2	6515-729-0530-0	
18-36	1872403	SCREW	1	1	6981-391-1080-0	
18-40	1872404	COVER	1	1	6981-321-1890-0	
18-41	1872405	GAUGE, LEVEL	1	1	6515-729-1130-0	
18-42	1872406	O-RING	1	1	6981-391-9070-0	
18-43	1872407	BOLT	2	2	6515-729-0630-0	
18-44	1872408	BOLT	2	2	6901-960-6160-0	
18-47	1872409	CAP	1	1	6981-235-0340-0	
18-50	1872410	FLYWEIGHT ASSY	1	1	6981-321-3100-0	
18-52	1872367	KEY, WOODRUFF	1	1	6981-325-3010-0	
18-53	1872412	WASHER, SP	1	1	6515-729-0340-0	
18-54	1872413	NUT	1	1	6988-410-2000-0	
18-57	1872414	SLEEVE, FLYWEIGHT	1	1	6515-719-0080-0	
18-58	1872415	BEARING, FLYWEIGHT	1	1	6900-090-2290-0	
18-60	1872416	SHIM, FLYWEIGHT/T=0.20	AR	AR	6981-325-0880-0	
18-60	1872417	SHIM, FLYWEIGHT/T=0.30	AR	AR	6981-325-5510-0	
18-60	1872418	SHIM, FLYWEIGHT/T=0.40	AR	AR	6981-325-5520-0	
18-60	1872419	SHIM, FLYWEIGHT/T=1.00	AR	AR	6981-325-5530-0	
18-63	1872420	SPRING, GOVERNOR	1	1	6981-322-2820-0	
18-64	1872421	SPRING, LINK	1	1	6981-321-6600-0	
18-67	1872422	CAPSULE, SPRING	1	1	6115-723-0200-0	
18-68	1872423	NUT	1	1	6981-393-2040-0	
18-69	1872320	GASKET, SPRING CAPSULE	2	2	6115-639-0080-0	
18-70	1872425	NUT, CAP	1	1	6981-325-1120-0	
18-73	1872426	CAPSULE, SPRING	1	1	6981-321-6360-0	
18-74	1872427	NUT, SPRING CAPSULE	1	1	6900-813-0230-0	
18-77	1872428	LEVER, SWIVEL	1	1	6981-323-7120-0	
18-80	1872429	BUSH, SWIVEL LEVER	2	2	6981-325-0990-0	

Ref.No.		Description	Q'ty		ISEKI Parts No.	Remarks
			2WD	4WD		
18-81	1872430	O-RING, SWIVEL LEVER	2	2	6981-321-2050-0	
18-82	1872431	RING, SNAP	2	2	6115-729-0440-0	
18-83	1872432	SEAL, OIL	1	1	6981-321-2200-0	
18-84	1872433	SHIM, SWIVEL LEVER	1	1	6981-325-1730-0	
18-85	1872434	SHIM, SWIVEL LEVER	AR	AR	6981-325-0970-0	
18-86	1872435	PLUG, SWIVEL LEVER	1	1	6981-325-3180-0	
18-88	1872436	KEY, WOODRUFF	1	1	6981-325-0300-0	
18-89	1872437	COLLAR, SWIVEL LEVER	1	1	6981-391-3070-0	
18-90	1872438	WASHER, SWIVEL LEVER	AR	AR	6981-325-4880-0	
18-93	1872439	LEVER, GUIDE ASSY	1	1	6515-725-0160-0	
18-94	1872440	LEVER, FLOATING	1	1	6981-321-7050-0	
18-95	1872441	SHIM, FLOATING LEVER	2	2	6981-325-1810-0	
18-96	1872442	PIN, SPLIT	1	1	6981-315-1910-0	
18-100	1872443	LINK, FLOATING LEVER	1	1	6981-321-7130-0	
18-102	1872444	LEVER, TENSION	1	1	6515-725-0170-0	
18-103	1872445	PIN, TENSION LEVER	1	1	6981-325-0620-0	
18-104-1	1872446	LEVER, SWIVEL LEVER	1	1	6981-322-1060-0	
18-115	1872447	SEAL, OIL	1	1	6515-729-0090-0	
18-116	1872448	GASKET	1	1	6915-729-0010-0	
18-117	1872449	GASKET	1	1	6915-729-0020-0	

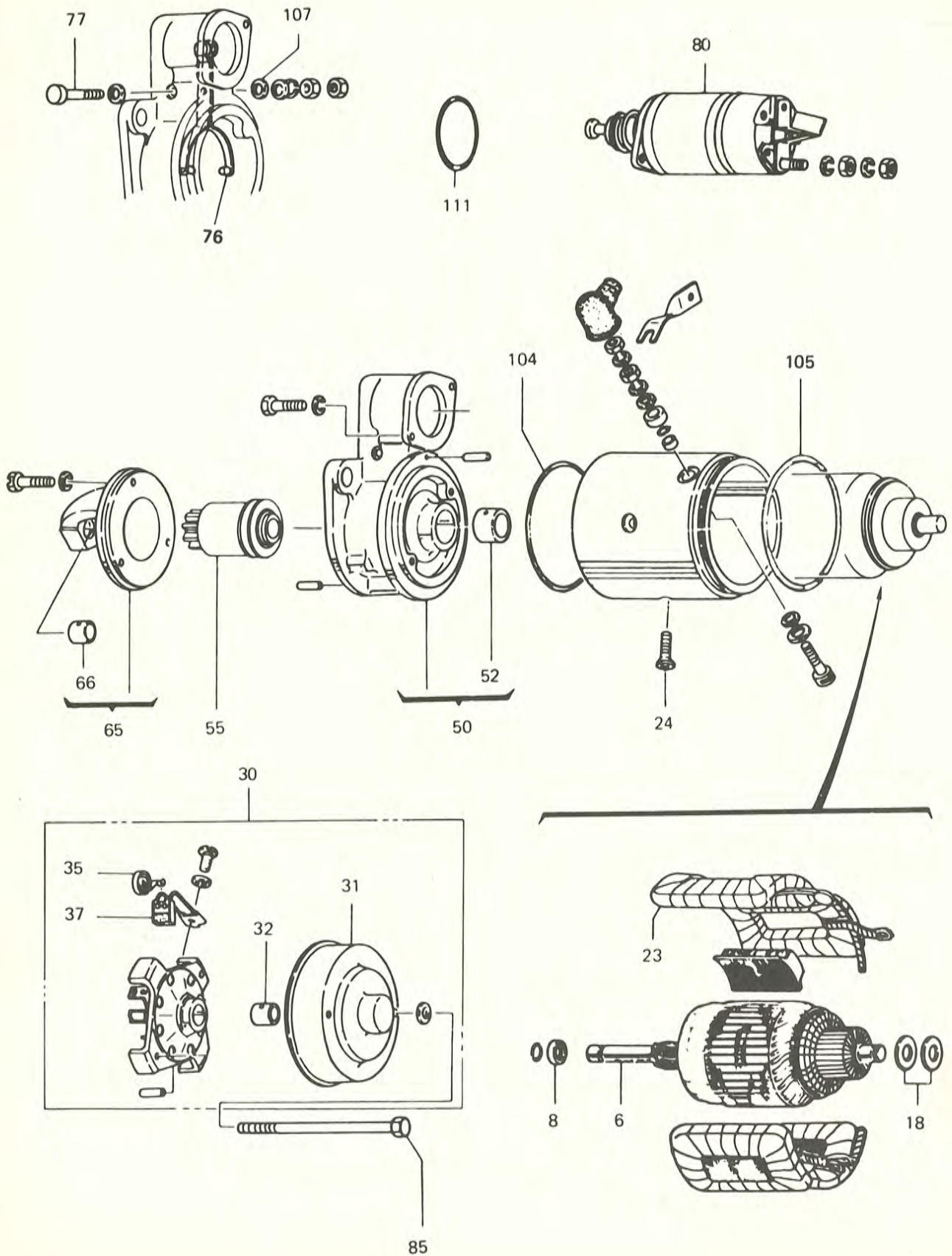


Fig.19 FEED PUMP; INJECTION PUMP



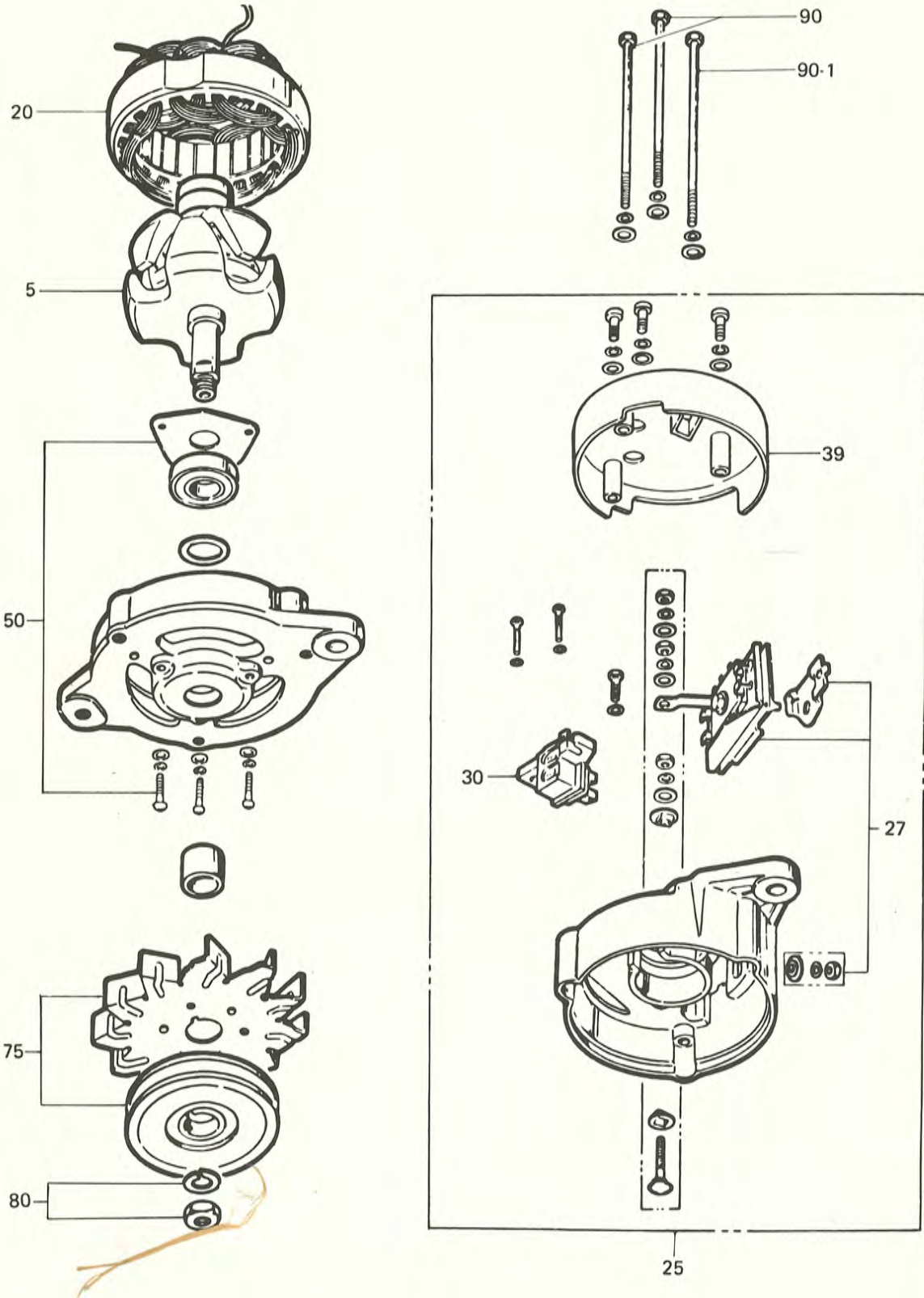
Ref.No.		Description	Q'ty		ISEKI Parts No.	Remarks
			2WD	4WD		
19- 0-1	1872295	PUMP, FEED ASSY	1	1	6515-750-0040-0	Included 5~44
19- 5	1872451	HOUSING, FEED PUMP	1	1	6515-751-0020-0	
19- 9	1872452	PISTON	1	1	6981-351-2050-0	
19-10	1872453	SPRING, PISTON	1	1	6981-351-3030-0	
19-11	1872454	PLUG, SPRING PISTON	1	1	6981-355-0230-0	
19-12	1872455	GASKET, PLUG	1	1	6981-355-0350-0	
19-14	1872456	TAPPET ASSY	1	1	6515-754-0010-0	
19-16	1872457	ROLLER, TAPPET	1	1	6981-351-4030-0	
19-17	1872458	PIN, TAPPET	1	1	6981-351-4100-0	
18-18	1872459	GUIDE, TAPPET	2	2	6115-759-0020-0	
19-26	1872460	VALVE, CHECK	2	2	6981-351-6020-0	
19-27	1872461	GASKET, CHECK VALVE	1	1	6981-355-0310-0	
19-28	1872462	SPRING, CHECK VALVE	2	2	6981-351-7020-0	
19-31	1872463	BOLT, JOINT	1	1	6909-906-3260-0	
19-32	1872268	BOLT, JOINT	1	1	6909-906-3251-0	
19-33	1872369	PACKING, JOINT BOLT	4	4	6115-759-0010-0	
19-35	1872466	ADAPTER, CHECK VALVE	1	1	6115-759-0030-0	
19-40	1872467	O-RING	1	1	6109-623-0160-0	
19-42	1872468	RING, SNAP	1	1	6981-355-0250-0	
19-44	1872469	PUMP, PRIMING	1	1	6981-352-1040-0	

Fig.20 STARTER



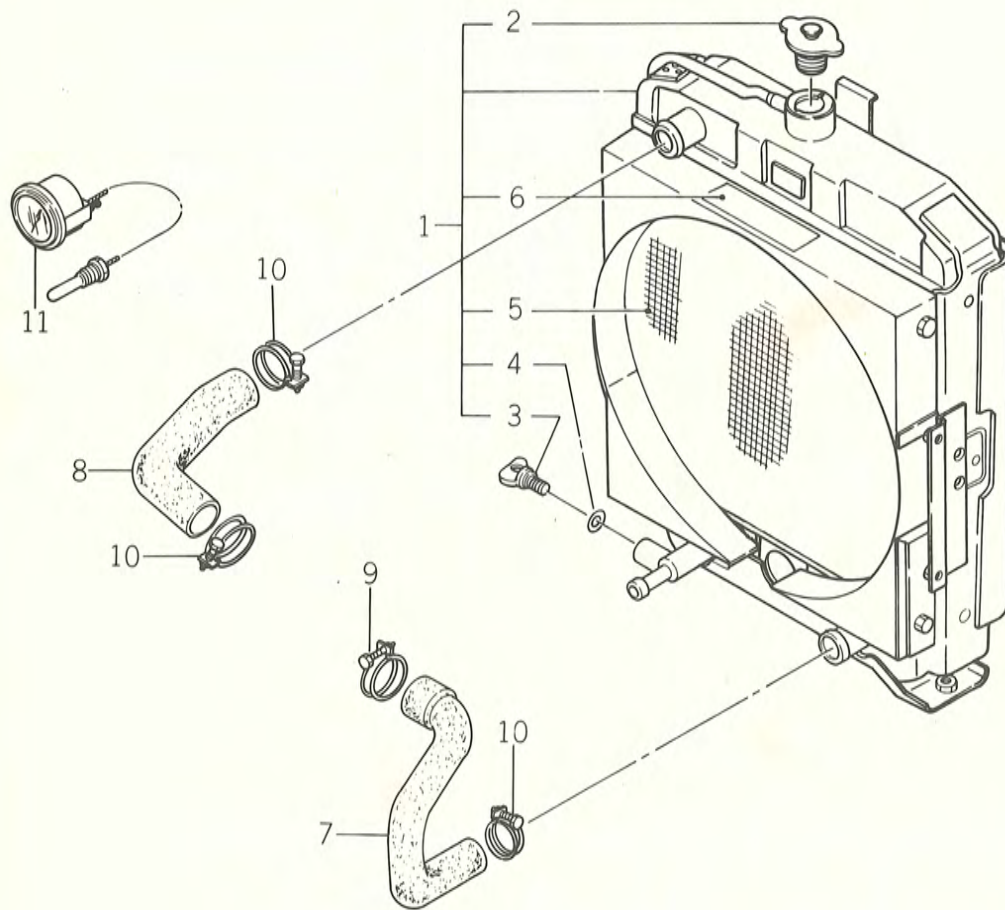
Ref.No.		Description	Q'ty		ISEKI Parts No.	Remarks
			2WD	4WD		
20- 0-1	1876255	STARTER/12V-1.8KW	1	1	6982-100-6081-0	Included 6~111
20- 6	1876264	ARMATURE	1	1	6982-123-1040-0	
20- 8	1876268	STOPPER, PINION	1	1	6982-125-1900-0	
20-18	1876267	WASHER, ADJ	2	2	6982-125-0460-0	
20-23	1876256	COIL, FIELD	1	1	6982-111-2980-0	
20-24	1876006	SCREW, SET	4	4	6581-129-0240-0	Included 31~37
20-30	1876260	COVER, R. ASSY	1	1	6982-113-4020-0	
20-31	1876428	COVER, R.	1	1	6982-113-9010-0	
20-32	1876262	METAL, R.	1	1	6982-115-4330-0	
20-35	1876259	SPRING, BRUSH	4	4	6982-111-7310-0	
20-37	1876258	BRUSH	4	4	6982-111-6540-0	
20-50	1876269	BRACKET, CENTER ASSY	1	1	6982-126-1070-0	Included 52
20-52	1876270	METAL, CENTER	1	1	6982-126-1080-0	
20-55	1876265	CLUTCH, PINION ASSY	1	1	6982-123-2030-0	Included 66
20-65	1876257	CASE, GEAR ASSY	1	1	6982-111-3840-0	
20-66	1876262	METAL, F.	1	1	6982-115-4330-0	
20-76	1876266	LEVER, SHIFT	1	1	6982-123-7050-0	
20-77	1876003	PIN, SHIFT LEVER	1	1	6581-129-0210-0	
20-80	1876271	SWITCH, MAGNETIC ASSY	1	1	6982-150-5030-0	
20-85	1876263	BOLT, THROUGH	2	2	6982-116-1200-0	
20-104	1876272	PACKING	1	1	6982-155-3070-0	
20-105	1876261	O-RING	1	1	6982-115-3620-0	
20-107	1876004	PACKING	4	4	6581-129-0220-0	
20-111	1876005	O-RING	1	1	6581-129-0230-0	

Fig.21 GENERATOR



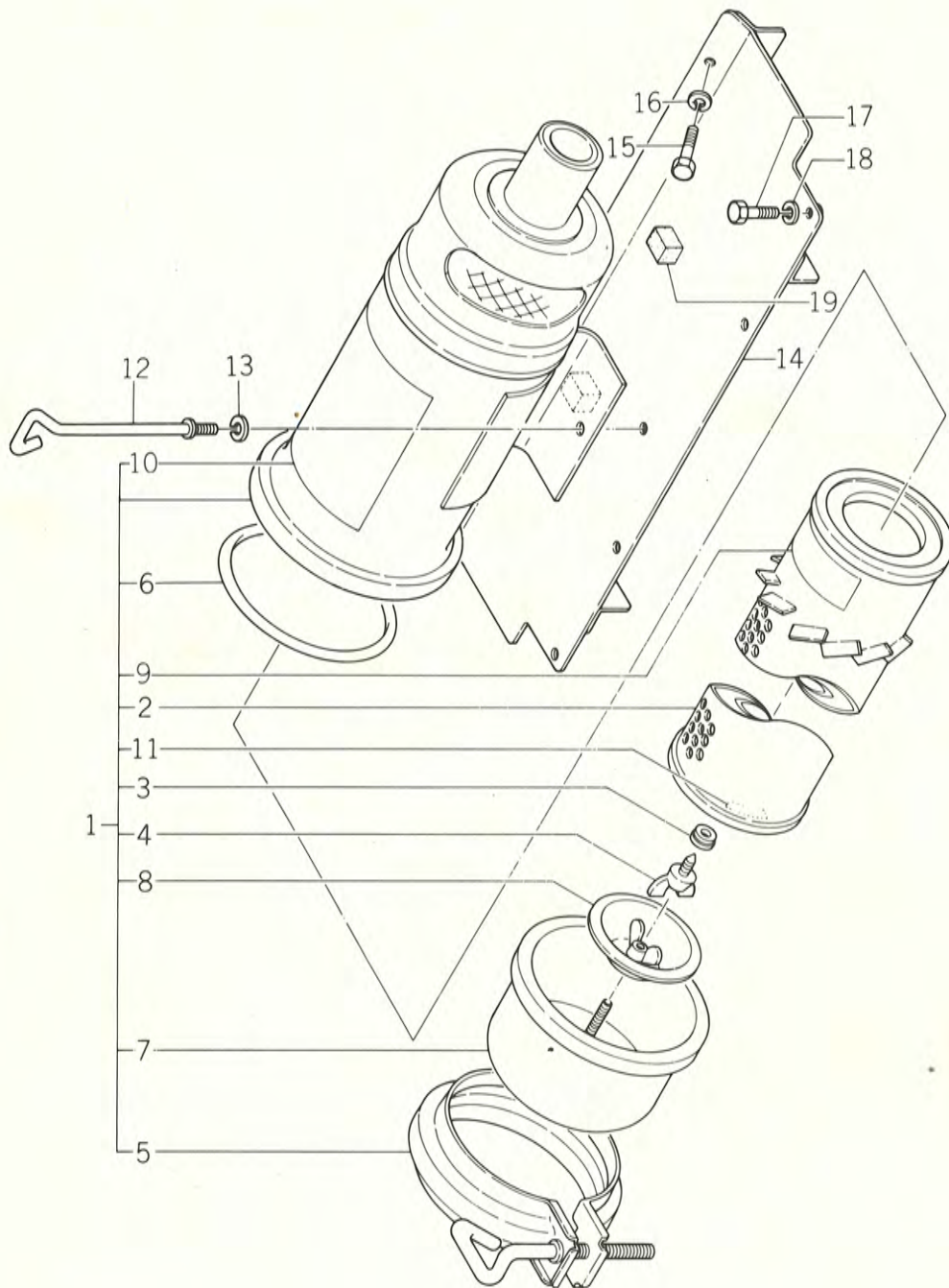
Ref.No.		Description	Q'ty		ISEKI Parts No.	Remarks
			2WD	4WD		
21- 0 -1	1876182	GENERATOR/12V-20A	1	1	6581-200-2720-0	Included 5~90-1
21- 5	1876016	ROTOR ASSY	1	1	6581-221-0300-0	
21-20	1876011	STARTOR ASSY	1	1	6581-211-0240-0	Included 27~39
21-25	1876013	COVER, R. ASSY	1	1	6581-214-0330-0	
21-27	1876274	RECTIFIER ASSY/+ -	1	1	6982-231-6190-0	
21-30	1872499	HOLDER, BRUSH ASSY	1	1	6581-218-0080-0	
21-39	1876015	COVER, RECTIFIER	1	1	6581-218-0090-0	
21-50	1876273	COVER, F. ASSY	1	1	6982-231-3080-0	
21-75	1876017	PULLEY ASSY	1	1	6581-222-0320-0	
21-80	1876276	NUT, PULLEY ASSY	1	1	6982-235-0740-0	
21-90	1876275	BOLT, THROUGH	2	2	6982-235-0720-0	
21-90-1	1876018	BOLT, THROUGH	1	1	6581-229-0420-0	

Fig.22 RADIATOR



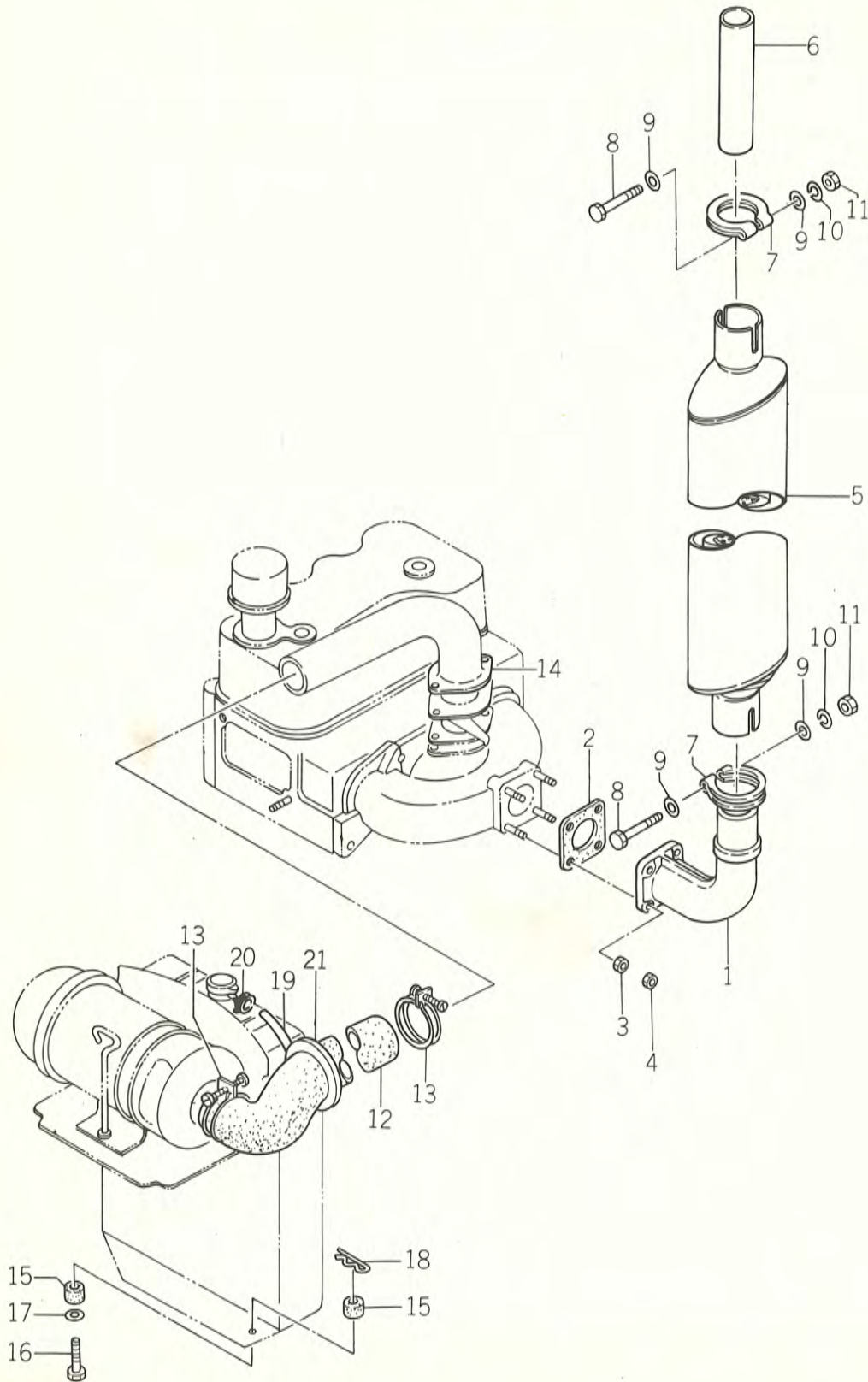
Ref.No.		Description	Q'ty		ISEKI Parts No.	Remarks
			2WD	4WD		
22- 1	1872089	RADIATOR ASSY	1	1	1426-152-2100-0	
22- 2	1872098	• CAP	1	1	1431-152-2110-0	
22- 3	1862519	• PLUG	1	1	1424-101-2030-0	
22- 4	1862520	• PACKING	1	1	1424-101-2040-0	
22- 5	1872073	• NET	1	1	1424-101-2050-0	
22- 6	1862357	• PLATE, CAUTION	1	1	1422-155-2110-0	
22- 7	1872103	HOSE, RADIATOR LW	1	1	1424-101-0020-0	
22- 8	1872201	HOSE, RADIATOR UP	1	1	1424-101-0030-0	
22- 9	1862524	CLIP/45	1	1	1424-101-0040-0	
22-10	1872205	CLIP/42	3	3	1424-101-0050-0	
22-11	1872241	THERMOMETER	1	1	1426-152-2200-0	

Fig.23 INTAKE SYSTEM



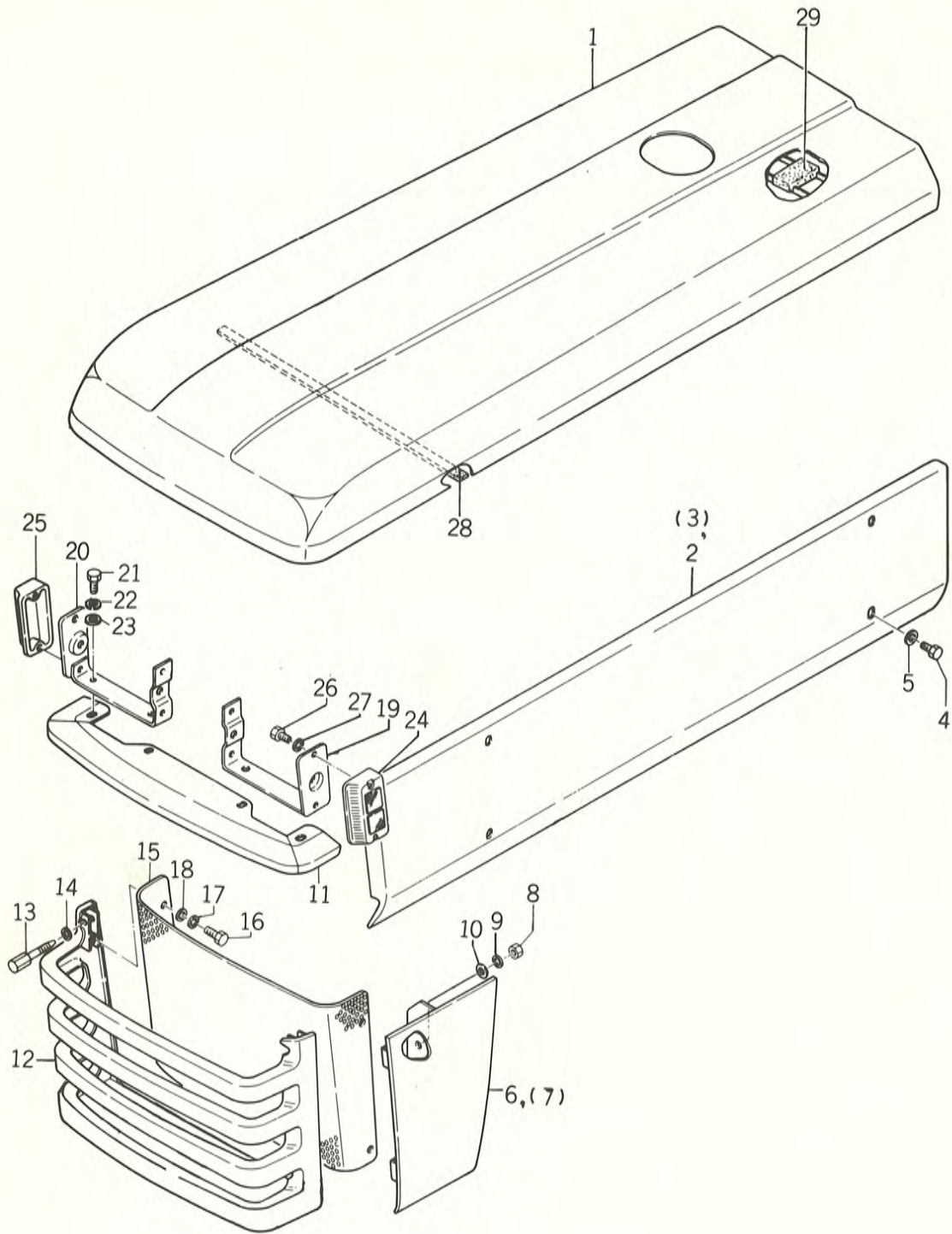
Ref.No.		Description	Q'ty		ISEKI Parts No.	Remarks
			2WD	4WD		
23- 1	1872242	CLEANER, AIR ASSY	1	1	1431-151-2300-0	
23- 2	1872249	• ELEMENT ASSY/PAPER	1	1	1431-151-2400-0	
23- 3	1872286	• PACKING ASSY	1	1	1416-101-0110-0	
23- 4	1872292	• BOLT, WING/M10	1	1	1423-101-0040-0	
23- 5	1872315	• BAND ASSY	1	1	1416-101-0070-0	
23- 6	1872325	• O-RING	1	1	1416-101-0140-0	
23- 7	1872334	• PAN, DUST ASSY	1	1	1416-101-0120-0	
23- 8	1872506	• DIVIDER ASSY	1	1	1416-101-0130-0	
23- 9	1871998	• PAPER, CAUTION (A)	1	1	1422-155-2410-0	
23-10	1872507	• PAPER, CAUTION (B)	1	1	1422-155-2510-0	
23-11	1872000	• PAPER, CAUTION (C)	1	1	1422-155-2420-0	
23-12	1862370	BOLT, WING	1	1	1421-101-0130-0	
23-13	1860403	WASHER, SP/M8	1	1	V401-160-0080-0	
23-14	1872508	BRACKET	1	1	1423-602-4001-0	
23-15	1860216	BOLT/M8 × 20	2	2	V201-260-8020-0	
23-16	1860403	WASHER, SP/M8	2	2	V401-160-0080-0	
23-17	1860216	BOLT/M8 × 20	4	4	V201-260-8020-0	
23-18	1860403	WASHER, SP/M8	4	4	V401-160-0080-0	
23-19	1871472	CUSHION, C/RUBBER	2	2	1421-602-0080-0	

Fig.24 EXHAUST AND INTAKE SYSTEM



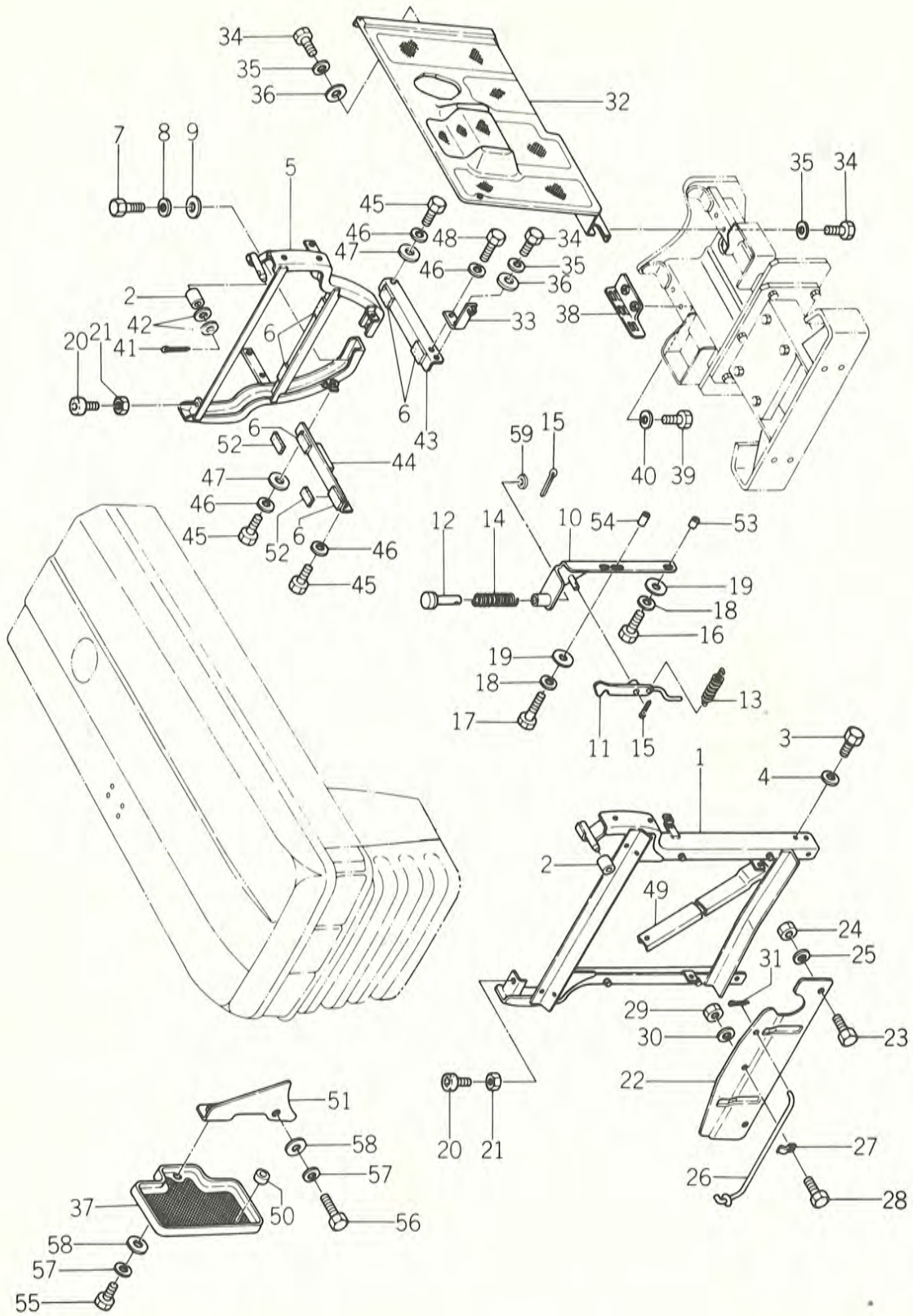
Ref.No.		Description	Q'ty		ISEKI Parts No.	Remarks
			2WD	4WD		
24- 1	1872509	PIPE, EXH.	1	1	1425-101-0010-0	
24- 2	1862547	GASKET	1	1	1415-101-0180-0	
24- 3	1862375	NUT/M8	4	4	V303-260-0080-0	
24- 4	1862376	NUT/M8	4	4	V305-260-0080-0	
24- 5	1862377	MUFFLER	1	1	1421-101-3000-0	
24- 6	1862380	PIPE, TAIL	1	1	1421-101-0030-0	
24- 7	1862550	CLAMP, MUFFLER	2	2	1431-101-0020-0	
24- 8	1862387	BOLT/M10 × 70	2	2	V201-261-0070-0	
24- 9	1860415	WASHER/M10	4	4	V413-160-0100-0	
24-10	1860404	WASHER, SP/M10	2	2	V401-160-0100-0	
24-11	1860305	NUT/M10	2	2	V300-260-0100-0	
24-12	1872510	PIPE/RUBBER	1	1	1423-101-0030-0	
24-13	1862552	CLIP, C	2	2	1415-101-0400-0	
24-14	1872511	PIPE, INLET	1	1	1425-101-1000-0	
24-15	1862555	CUSHION, RADIATOR	4	4	1415-101-0100-0	
24-16	1862556	BOLT/M10 × 42	2	2	1421-101-0010-0	
24-17	1860416	WASHER/M12	2	2	V413-160-0120-0	
24-18	1871302	PIN, HAIR	2	2	1305-241-0010-0	
24-19	1872512	HOSE, DRAIN	1	1	1425-101-0020-0	
24-20	1862558	BAND, HOSE	2	2	1417-102-0050-0	
24-21	1862365	SEAL, (D)		1	1422-605-0060-0	

Fig.25 BONNET



Ref.No.		Description	Q'ty		ISEKI Parts No.	Remarks
			2WD	4WD		
25- 1	1872513	BONNET	1	1	1425-652-2000-8	
25- 2	1872514	SIDE, BONNET LH	1	1	1425-601-0010-8	
25- 3	1872515	SIDE, BONNET RH	1	1	1425-601-0020-8	
25- 4	1862576	BOLT, SET	8	8	1421-601-0030-0	
25- 5	1872516	WASHER/M8	8	8	V413-150-0080-0	
25- 6	1872517	PLATE, SIDE LH	1	1	1423-601-2000-8	
25- 7	1872518	PLATE, SIDE RH	1	1	1423-601-3000-8	
25- 8	1860304	NUT/M8	4	4	V300-260-0080-0	
25- 9	1860403	WASHER, SP/M8	4	4	V401-160-0080-0	
25-10	1872519	WASHER	1	1	1326-616-0010-0	
25-11	1872520	MASK, F.	1	1	1423-601-0030-8	
25-12	1872521	GRILLE	1	1	1431-651-2001-8	
25-13	1872522	BOLT, GRILLE SET	4	4	1423-601-0050-0	
25-14	1860403	WASHER, SP/M8	4	4	V401-160-0080-0	
25-15	1872523	NET	1	1	1423-601-0040-0	
25-16	1860214	BOLT/M8 × 16	5	5	V201-260-8016-0	
25-17	1860403	WASHER, SP/M8	5	5	V401-160-0080-0	
25-18	1860413	WASHER/M8	4	4	V413-160-0080-0	
25-19	1872524	STAY, LIGHT LH	1	1	1421-601-0111-0	
25-20	1872525	STAY, LIGHT RH	1	1	1421-601-0121-0	
25-21	1860216	BOLT/M8 × 20	4	4	V201-260-8020-0	
25-22	1860403	WASHER, SP/M8	4	4	V401-160-0080-0	
25-23	1860414	WASHER/M8	4	4	V413-160-0080-0	
25-24	1862587	MARKER, SIDE LH	1	1	1421-601-0080-0	
25-25	1862588	MARKER, SIDE RH	1	1	1421-601-0090-0	
25-26	1860201	BOLT/M6 × 12	4	4	V200-260-6012-0	
25-27	1860402	WASHER, SP/M6	4	4	V401-160-0060-0	
25-28	1872526	SEAL	1	1	1423-601-0060-0	
25-29	1872527	RUBBER, TENSION B	3	3	1423-601-0080-0	

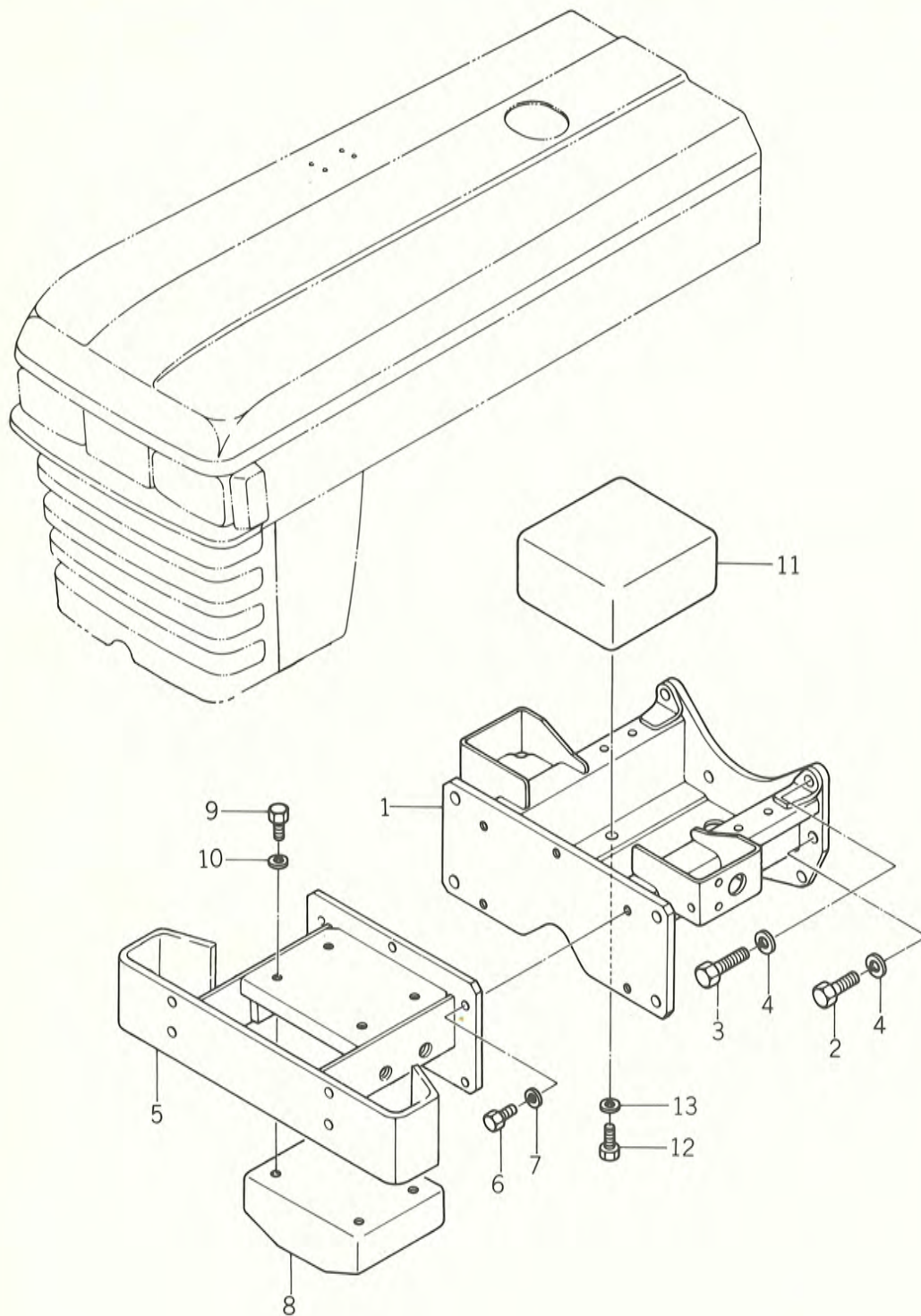
Fig.26 FRAME AND FAN COVER



Ref.No.		Description	Q'ty		ISEKI Parts No.	Remarks
			2WD	4WD		
26- 1	1872528	FRAME, F.	1	1	1431-656-2001-0	
26- 2	1862593	BUSH	2	2	1421-602-0010-0	
26- 3	1860214	BOLT/M8 × 16	6	6	V201-260-8016-0	
26- 4	1860403	WASHER, SP/M8	6	6	V401-160-0080-0	
26- 5	1872529	FRAME, R.	1	1	1431-656-2100-0	
26- 6	1862351	PLATE	6	6	3746-261-2050-0	
26- 7	1872530	BOLT/M8 × 16, 9T	4	4	V201-460-8016-0	
26- 8	1860403	WASHER, SP/M8	4	4	V401-160-0080-0	
26- 9	1860414	WASHER/M8	4	4	V413-160-0080-0	
26-10	1872531	STAY, CATCHER	1	1	1426-602-1000-0	
26-11	1862597	HOOK	1	1	1421-602-4001-0	
26-12	1862422	SUPPORT, SPRING	1	1	1421-602-0110-0	
26-13	1862600	SPRING, TENSION/65	1	1	1421-602-0030-0	
26-14	1862601	SPRING, PRESS/85	1	1	1421-602-0040-0	
26-15	1860909	PIN, SPLIT/2.5 × 15	2	2	V500-152-5015-0	
26-16	1860218	BOLT/M8 × 30	1	1	V201-260-8030-0	
26-17	1860219	BOLT/M8 × 35	1	1	V201-260-8035-0	
26-18	1860403	WASHER, SP/M8	2	2	V401-160-0080-0	
26-19	1860414	WASHER/M8	2	2	V413-160-0080-0	
26-20	1872532	CUSHION, B/RUBBER	2	2	1421-602-0051-0	
26-21	1860310	NUT/M8	2	2	V302-260-0080-0	
26-22	1872533	PLATE, SEAL	1	1	1423-602-0010-0	
26-23	1860214	BOLT/M8 × 16	2	2	V201-260-8016-0	
26-24	1860304	NUT/M8	2	2	V300-260-0080-0	
26-25	1860403	WASHER, SP/M8	2	2	V401-160-0080-0	
26-26	1862604	STOPPER, BONNET	1	1	1421-602-8000-0	
26-27	1862605	SPRING, ROD	1	1	1421-602-0070-0	
26-28	1872534	BOLT/M6 × 12	1	1	V201-260-6012-0	
26-29	1860303	NUT/M6	1	1	V300-260-0060-0	
26-30	1860402	WASHER, SP/M6	1	1	V401-160-0060-0	
26-31	1860502	PIN, SPLIT/2 × 18	1	1	V500-152-0018-0	
26-32	1872535	COVER, FAN	1	1	1431-604-2001-0	
26-33	1872536	STAY, COVER	1	1	1431-604-2200-0	
26-34	1860214	BOLT/M8 × 16	4	4	V201-260-8016-0	
26-35	1860403	WASHER, SP/M8	4	4	V401-160-0080-0	
26-36	1860414	WASHER/M8	2	2	V413-160-0080-0	
26-37	1872537	COVER, FAN B	1	1	1425-604-2001-0	
26-38	1872538	COVER, FAN D	1	1	1424-604-4001-0	
26-39	1860214	BOLT/M8 × 16	2	2	V201-260-8016-0	
26-40	1860403	WASHER, SP/M8	2	2	V401-160-0080-0	
26-41	1860909	PIN, SPLIT/2.5 × 15	1	1	V500-152-5015-0	
26-42	1860414	WASHER/M8	2	2	V413-160-0080-0	
26-43	1872539	BASE, TANK LH	1	1	1424-111-1001-0	
26-44	1872540	BASE, TANK RH	1	1	1424-111-2001-0	
26-45	1860214	BOLT/M8 × 16	3	3	V201-260-8016-0	

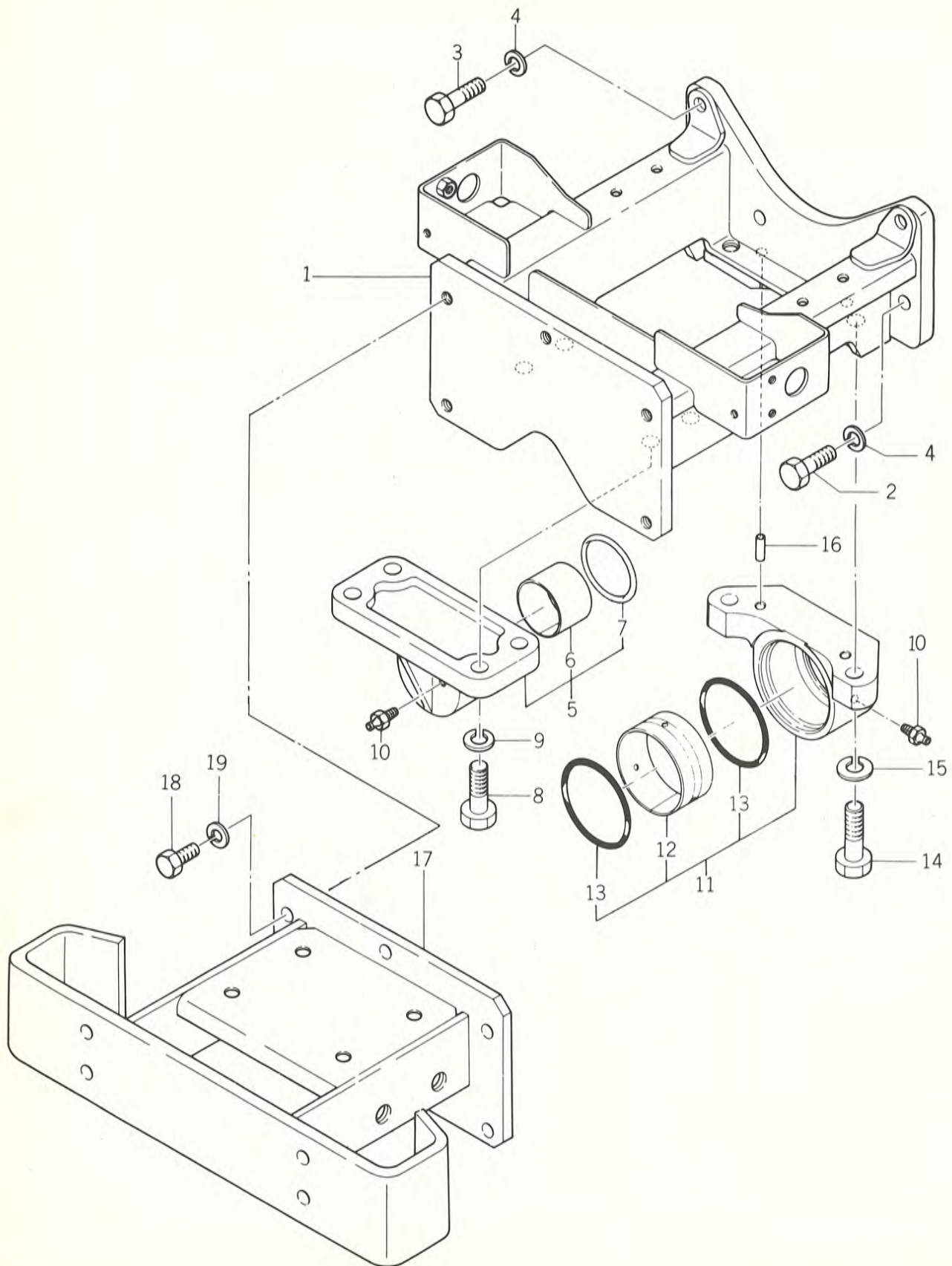
Ref.No.		Description	Q'ty		ISEKI Parts No.	Remarks
			2WD	4WD		
26-46	1872541	WASHER, SP/M8	4	4	V401-260-0080-0	
26-47	1860414	WASHER/M8	2	2	V413-160-0080-0	
26-48	1860216	BOLT/M8 × 20	1	1	V201-260-8020-0	
26-49	1862540	STAY, BRACKET	2	2	1421-602-7000-0	
26-50	1872542	COLLAR/9 × 14 × 8	1	1	1424-604-0010-0	
26-51	1872543	STAY, COVER	1	1	1425-604-2100-0	
26-52	1862364	CUSHION, TANK/RUBBER	AR	AR	1421-602-0090-0	For adjust
26-53	1872544	COLLAR/9 × 14 × 12	1	1	1425-602-2020-0	
26-54	1872545	COLLAR/9 × 14 × 16	1	1	1425-602-2030-0	
26-55	1860214	BOLT/M8 × 16	2	2	V201-260-8016-0	
26-56	1860217	BOLT/M8 × 25	1	1	V201-260-8025-0	
26-57	1860403	WASHER, SP/M8	3	3	V401-160-0080-0	
26-58	1860414	WASHER/M8	3	3	V413-160-0080-0	
26-59	1860415	WASHER/M10	1	1	V413-160-0100-0	

**Fig.27 AXEL BRACKET AND BALANCE WEIGHT
(2WD TYPE)**



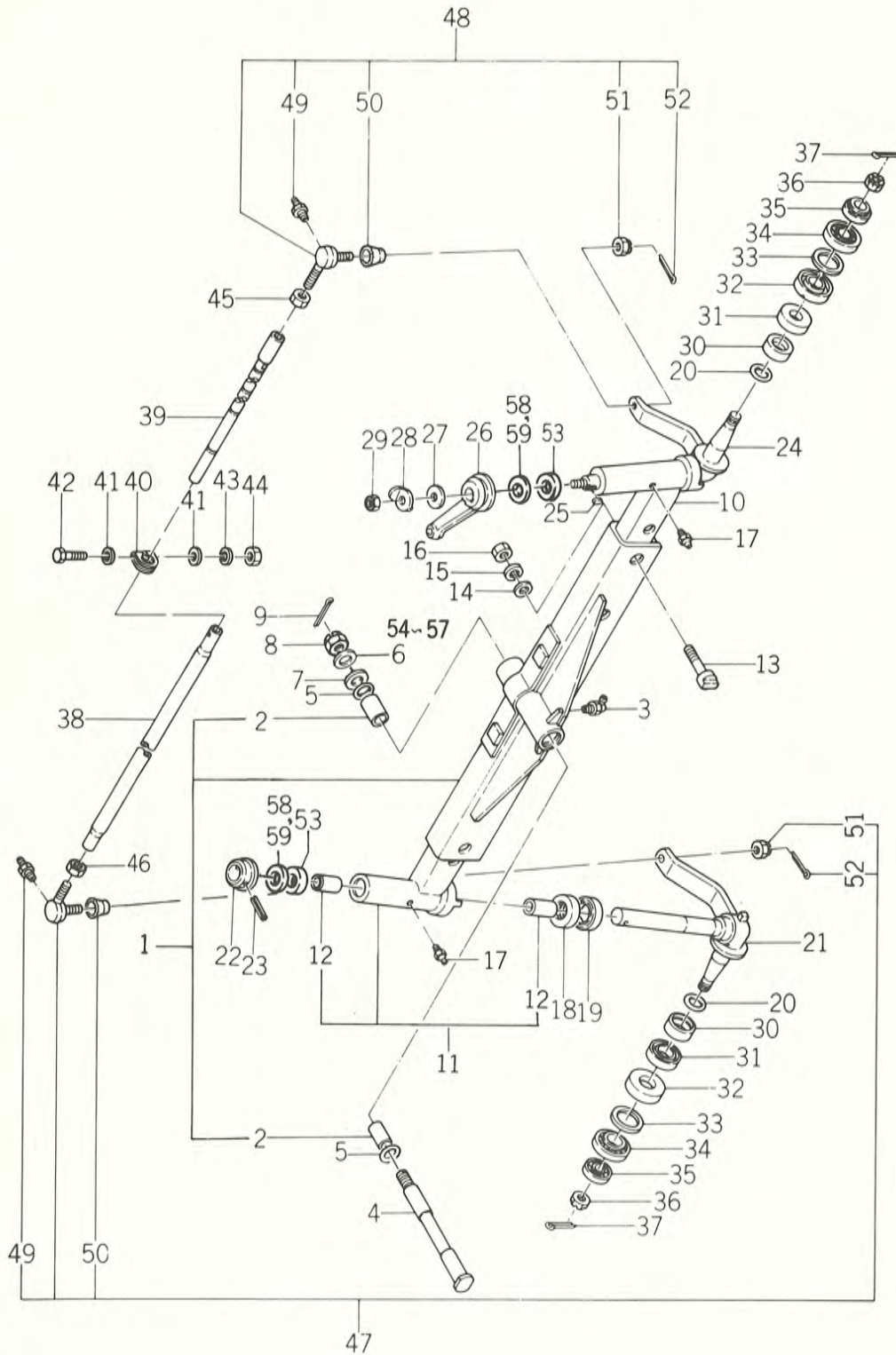
Ref.No.		Description	Q'ty		ISEKI Parts No.	Remarks
			2WD	4WD		
27- 1	1872546	BRACKET, AXLE	1		1431-451-2000-0	
27- 2	1872547	BOLT/M14 × 40	4		V201-461-4040-0	
27- 3	1872548	BOLT/M14 × 45	2		V201-461-4045-0	
27- 4	1862426	WASHER, SP/M14	6		V401-160-0140-0	
27- 5	1872549	HITCH, F.	1		1423-401-1000-0	
27- 6	1860230	BOLT/M12 × 25	5		V201-261-2025-0	
27- 7	1860405	WASHER, SP/M12	5		V401-160-0120-0	
27- 8		WEIGHT, BALANCE	1		1417-401-0010-0	★
27- 9	1860225	BOLT/M10 × 20	4		V201-261-0020-0	★
27-10	1860404	WASHER, SP/M10	4		V401-160-0100-0	★
27-11		WEIGHT, BALANCE B	1		1415-401-0050-0	
27-12	1860225	BOLT/M10 × 20	4		V201-261-0020-0	
27-13	1860404	WASHER, SP/M10	4		V401-160-0100-0	

Fig.28 AXLE BRACKET AND BALANCE WEIGHT (4WD TYPE)



Ref.No.		Description	Q'ty		ISEKI Parts No.	Remarks
			2WD	4WD		
28- 1	1872550	BRACKET, AXLE		1	1431-455-2000-0	
28- 2	1872547	BOLT/M14 × 40 9T		4	V201-461-4040-0	
28- 3	1872548	BOLT/M14 × 45 9T		2	V201-461-4045-0	
28- 4	1862426	WASHER, SP/M14		6	V401-160-0140-0	
28- 5	1872553	METAL, PIVOT F. SET		1	1425-436-2300-0	
28- 6	1872554	• BUSH/50 × 55 × 40		1	1425-436-0020-0	
28- 7	1872555	• O-RING/P50		1	V720-103-5050-0	
28- 8	1872556	BOLT/M16 × 45		4	V201-261-6045-0	
28- 9	1860406	WASHER, SP/M16		4	V401-160-0160-0	
28-10	1860736	NIPPLE, GREASE		2	V761-400-0000-0	
28-11	1872557	METAL, PIVOT R. ASSY		1	1425-436-2200-0	
28-12	1872558	• BUSH/80 × 85 × 36		1	1425-436-2220-0	
28-13	1872559	• O-RING/P80		2	V720-105-7080-0	
28-14	1872560	BOLT/M16 × 50 9T		2	V201-461-6050-0	
28-15	1860406	WASHER, SP/M16		2	V401-160-0160-0	
28-16	1862551	PIN, A/10 × 22		2	V520-101-0022-0	
28-17	1872549	HITCH, F.		1	1423-401-1000-0	
28-18	1860230	BOLT/M12 × 25		5	V201-261-2025-0	
28-19	1860405	WASHER, SP/M12		5	V401-160-0120-0	

Fig.29 FRONT AXLE (2WD TYPE)



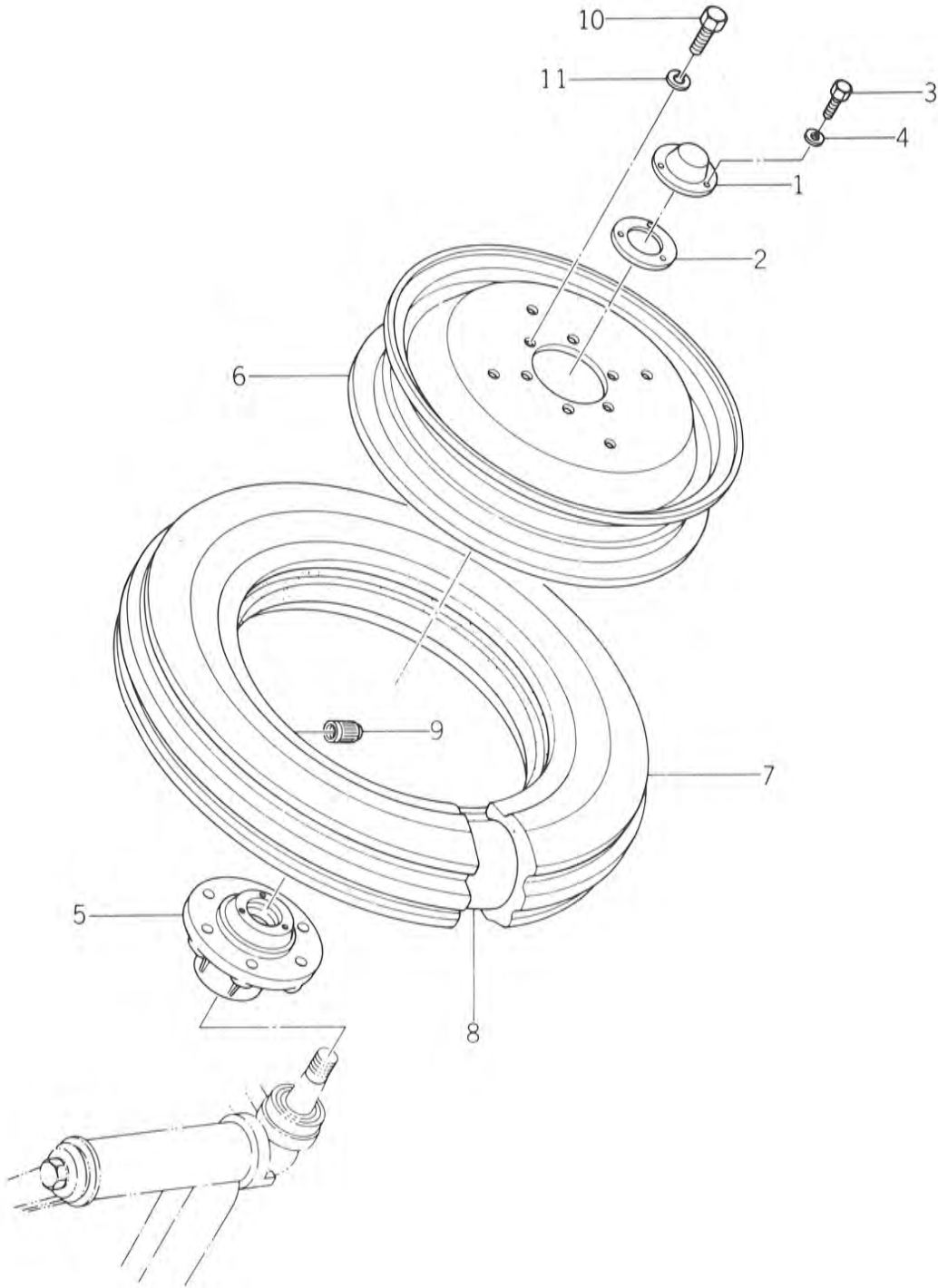
Ref.No.		Description	Q'ty		ISEKI Parts No.	Remarks
			2WD	4WD		
29- 1	1872562	AXLE, F	1		1431-451-2100-0	
29- 2	1872563	BUSH/30 × 34 × 30	2		1407-402-0010-0	
29- 3	1860737	NIPPLE, GREASE/B-PT 1/8	1		V763-400-0000-0	
29- 4	1872564	PIVOT, CENTER	1		1415-401-0020-0	
29- 5	1872565	O-RING/P30	2		V720-103-5030-0	
29- 6	1872566	COLLAR, PIVOT	1		1415-401-0040-0	
29- 7	1872567	WASHER/21 × 42 × 6	1		1415-401-0030-0	
29- 8	1863822	NUT, SLOTTED/M20	1		V320-260-0200-0	
29- 9	1860511	PIN, SPLIT/4 × 40	1		V500-154-0040-0	
29-10	1872568	END, AXLE LH SET	1		1425-422-2202-0	
29-11	1872568	END, AXLE RH SET	1		1425-422-2202-0	
29-12	1862826	• BUSH/35 × 40 × 35	4		1414-501-0100-0	
29-13	1872570	BOLT/M16 × 87	4		1426-402-0011-0	
29-14	1872571	WASHER, B/M16	4		1404-401-0170-0	
29-15	1860406	WASHER, SP/M16	4		V401-160-0160-0	
29-16	1863046	NUT/M16	4		V300-460-0160-0	
29-17	1860736	NIPPLE, GREASE	2		V761-400-0000-0	
29-18	1872572	BEARING, TB	2		1426-423-0020-0	
29-19	1872573	SEAL, OIL/TC48659	2		V744-148-6509-0	
29-20	1862543	O-RING/P35	2		V720-103-5035-0	
29-21	1872574	SPINDLE, KNUCKLE RH	1		1426-423-2500-0	
29-22	1872575	BOSS, KNUCKLE SPINDLE	1		1426-423-2301-0	
29-23	1872576	PIN, SPRING W/8 × 56	1		V580-140-8056-0	
29-24	1872577	SPINDLE, KNUCKLE LH	1		1426-423-2400-0	
29-25	1871310	KEY	1		1326-708-0050-0	
29-26	1872578	ARM, DRAG	1		1425-403-2201-0	For DG
29-26-1	1872579	ARM, DRAG	1		1426-423-2202-0	For DUG
29-27	1872580	WASHER, B/M16	1		1404-401-0170-0	
29-28	1872581	WASHER/M16	1		1405-401-0060-0	
29-29	1872582	NUT/M16	1		V330-260-0160-0	
29-30	1872583	COLLAR, OIL SEAL	2		1426-423-0010-0	
29-31	1872584	SEAL, OIL/VC48657	2		V742-148-6507-0	
29-32	1862549	SEAL, OIL/TC50686	2		V744-150-6809-0	
29-33	1872585	SHIM	2		1426-423-0030-0	
29-34	1872586	BEARING, TR/32007	2		V630-113-2007-0	
29-35	1872587	BEARING, TR/30204	2		V630-113-0204-0	
29-36	1872588	NUT, SLOTTED/M20	2		V321-260-0200-0	
29-37	1862863	PIN, SPLIT/4 × 30	2		V500-154-0030-0	
29-38	1872589	TUBE, TIE ROD	1		1431-461-0011-0	
29-39	1872590	ROD, TIE	1		1431-461-2000-0	
29-40	1872591	METAL, TIE ROD SET	1		1426-403-0020-0	
29-41	1872592	WASHER	2		1432-403-0071-0	
29-42	1872593	BOLT/M10 × 65 9T	1		V201-461-0065-0	
29-43	1860404	WASHER, SP/M10	1		V401-160-0100-0	
29-44	1860308	NUT/M10	1		V300-460-0100-0	

1424-960, 1425-422,
1426-462, 1431-452, 461

Ref. No.		Description	Q'ty		ISEKI Parts No.	Remarks
			2WD	4WD		
29-45	1872569	NUT, LH THREAD/M20	1		1426-426-0020-0	
29-46	1872594	NUT/M20	1		V333-260-0200-0	
29-47	1872595	END, ROD RH RH ASSY	1		1426-426-2100-0	
29-48	1872596	END, ROD LH LH ASSY	1		1425-433-2000-0	
29-49	1862672	• NIPPLE, GREASE	2		V767-400-0000-0	
29-50	1872597	• COVER, DUST	2		1426-426-2120-0	
29-51	1872598	• NUT, SLOTTED/M14	2		V321-260-0140-0	
29-52		• PIN, SPLIT/3 × 30	2		V500-153-0030-0	
29-53	1872599	SEAL, OIL/ES35424	2		1425-433-0310-0	
29-54	1872600	COLLAR, THRUST/4.5	1		1424-951-0010-0	★
29-55	1872601	COLLAR, THRUST/5	1		1424-951-0020-0	★
29-56	1872602	COLLAR, THRUST/5.5	1		1424-951-0030-0	★
29-57	1872603	COLLAR, THRUST/6	1		1424-951-0040-0	★
29-58	1872604	SHIM, A/0.5	2		1424-951-0090-0	★
29-58-1	1872605	SHIM, D/0.5	2		1424-951-0160-0	★
29-59	1872606	SHIM, A/1.0	2		1424-951-0110-0	★
29-59-1	1872607	SHIM, D/1.0	2		1424-951-0170-0	★
29-60	1872608	SEAL, OIL	2		1424-953-0010-0	★

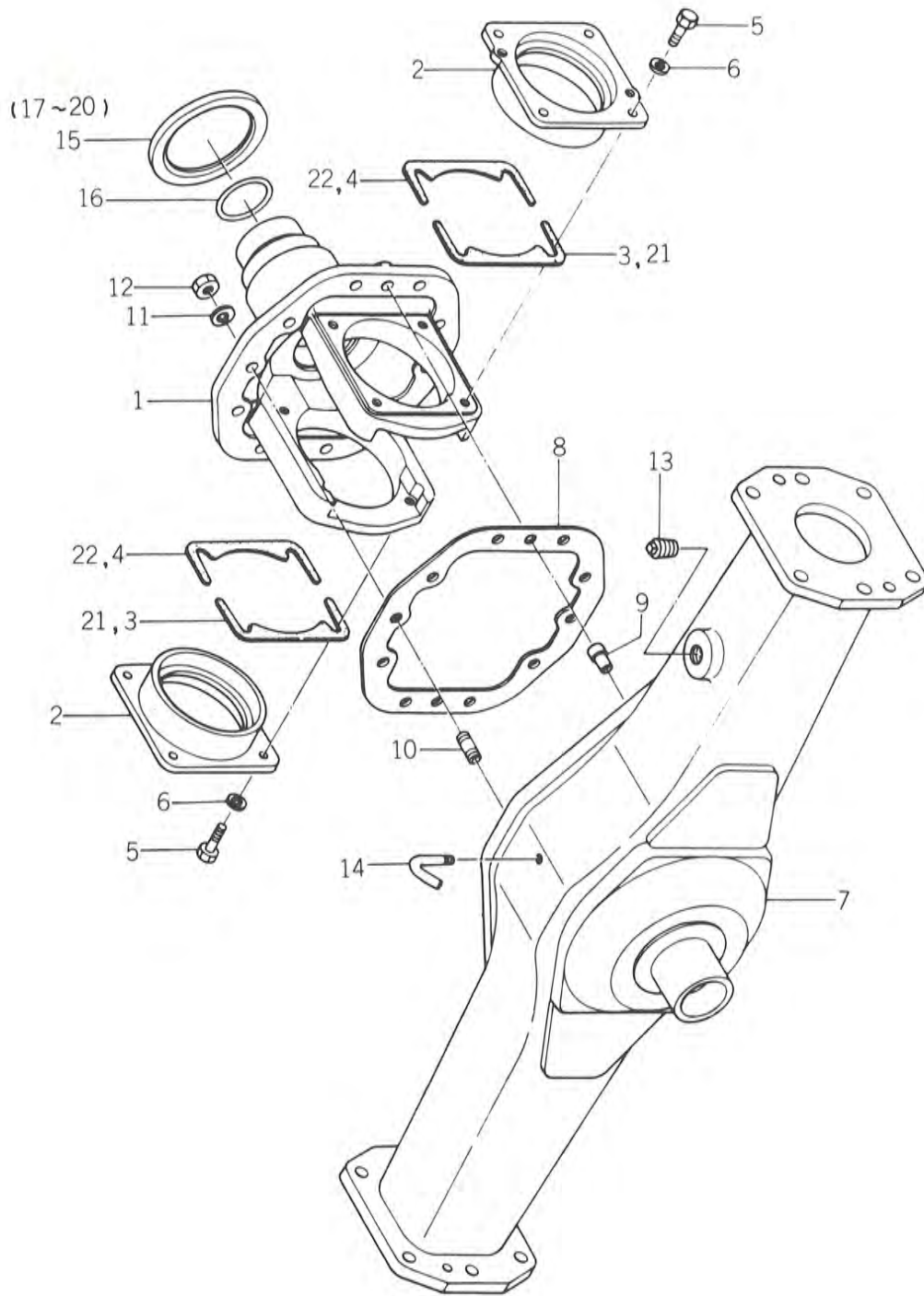
1424-960, 1425-422,
1426-462, 1431-452, 461

Fig 30 FRONT WHEEL (2WD TYPE)



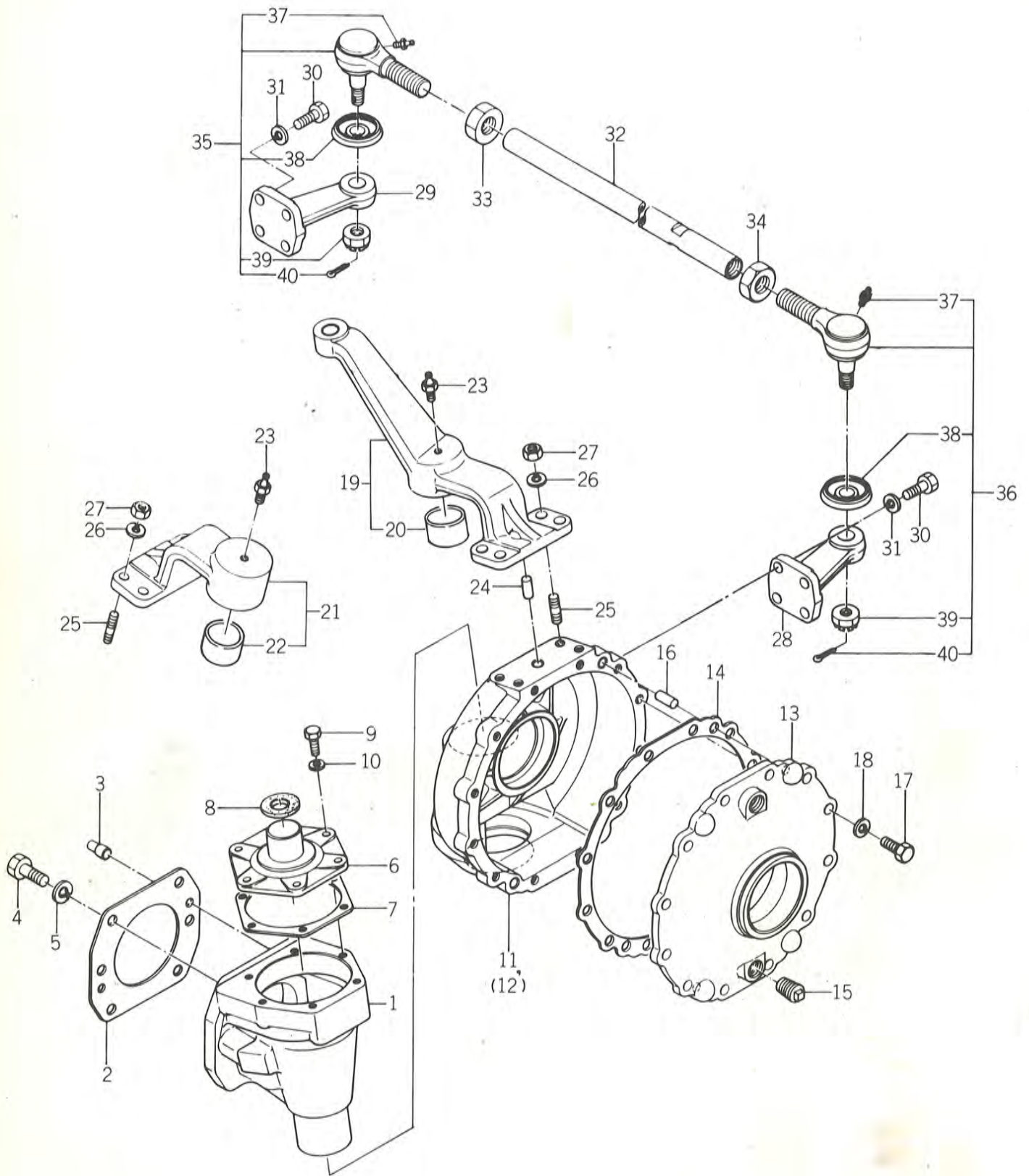
Ref.No.		Description	Q'ty		ISEKI Parts No.	Remarks
			2WD	4WD		
30- 1	1871435	CAP, WHEEL	2		1411-411-0020-0	} Option for E33
30- 2	1871436	PACKING	2		1411-411-0030-0	
30- 3	1860201	BOLT/M6 × 12	6		V200-260-6012-0	
30- 4	1860402	WASHER, SP/M6	6		V401-160-0060-0	
30- 5	1872610	BOSS, F. WHEEL	2		1426-428-0010-0	
30- 0-1	*	TIRE, F. ASSY	2		1431-478-2000-0	
30- 6	1872611	• RIM, F. WHEEL	2		1425-428-2000-1	
30- 7	1872612	• TIRE	2		1431-478-2010-0	
30- 8	1872613	• TUBE/5.00-15-4PR	2		V889-005-0015-0	
30- 9	1860908	• CAP, TIRE VALVE/D4212	2		V999-300-0010-0	
30-10	1860254	BOLT/M12 × 25 9T	12		V201-461-2025-0	
30-11	1860405	WASHER, SP/M12	12		V401-160-0120-0	

Fig.31 AXLE HOUSING AND BEVEL CASE (4WD TYPE)



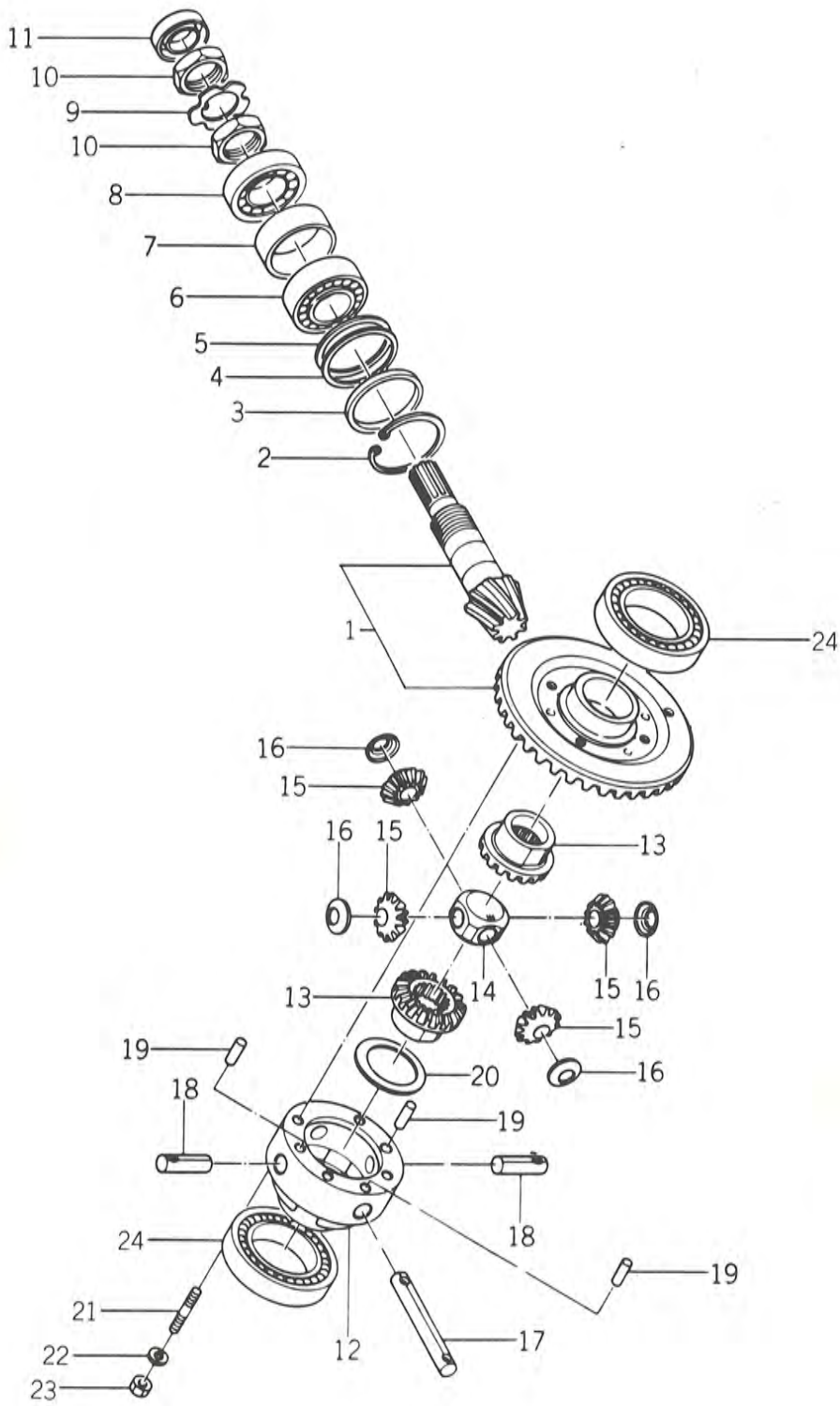
Ref.No.		Description	Q'ty		ISEKI Parts No.	Remarks
			2WD	4WD		
31- 1	1872614	CASE, BEVEL		1	1425-431-0031-0	
31- 2	1872615	METAL, DIFF		2	1425-431-0110-0	
31- 3	1872616	SHIM, B		AR	1425-431-0120-0	
31- 4	1872617	SHIM, C		AR	1425-431-0130-0	
31- 5	1860216	BOLT/M8 × 22		8	V201-260-8020-0	
31- 6	1860403	WASHER, SP/M8		8	V401-160-0080-0	
31- 7	1872619	HOUSING, AXLE		1	1425-432-2002-0	
31- 8	1872620	PACKING, HOUSING		1	1425-432-0020-0	
31- 9	1872621	PIN, KNOCK/10 × 22		2	1425-432-0030-0	
31-10	1872622	BOLT, STUD/M10 × 22		10	V251-441-0022-0	
31-11	1860404	WASHER, SP/M10		10	V401-160-0100-0	
31-12	1860308	NUT/M10 7T		10	V300-460-0100-0	
31-13	1860741	PLUG		1	V781-100-0008-0	
31-14	1862386	PIPE, BREATHER		1	1425-432-0010-0	
31-15	1872623	COLLAR, THRUST		1	1425-431-0040-0	
31-16	1872624	O-RING/P40		1	V720-103-5040-0	
31-17	1872625	COLLAR, THRUST F/5.5		1	1424-951-0050-0	★ } ★ } For center pivot ★ } ★ }
31-18	1872626	COLLAR, THRUST F/6		1	1424-951-0060-0	
31-19	1872627	COLLAR, THRUST F/6.5		1	1424-951-0070-0	
31-20	1872628	COLLAR, THRUST F/7		1	1424-951-0080-0	
31-21	1872629	SHIM, C/0.5		2	1424-951-0140-0	★ } ★ } For Bearing Cover
31-22	1872630	SHIM, C/1.0		2	1424-951-0150-0	

**Fig.32 FINAL CASE AND KNUCKLE ARM SYSTEM
(4WD TYPE)**



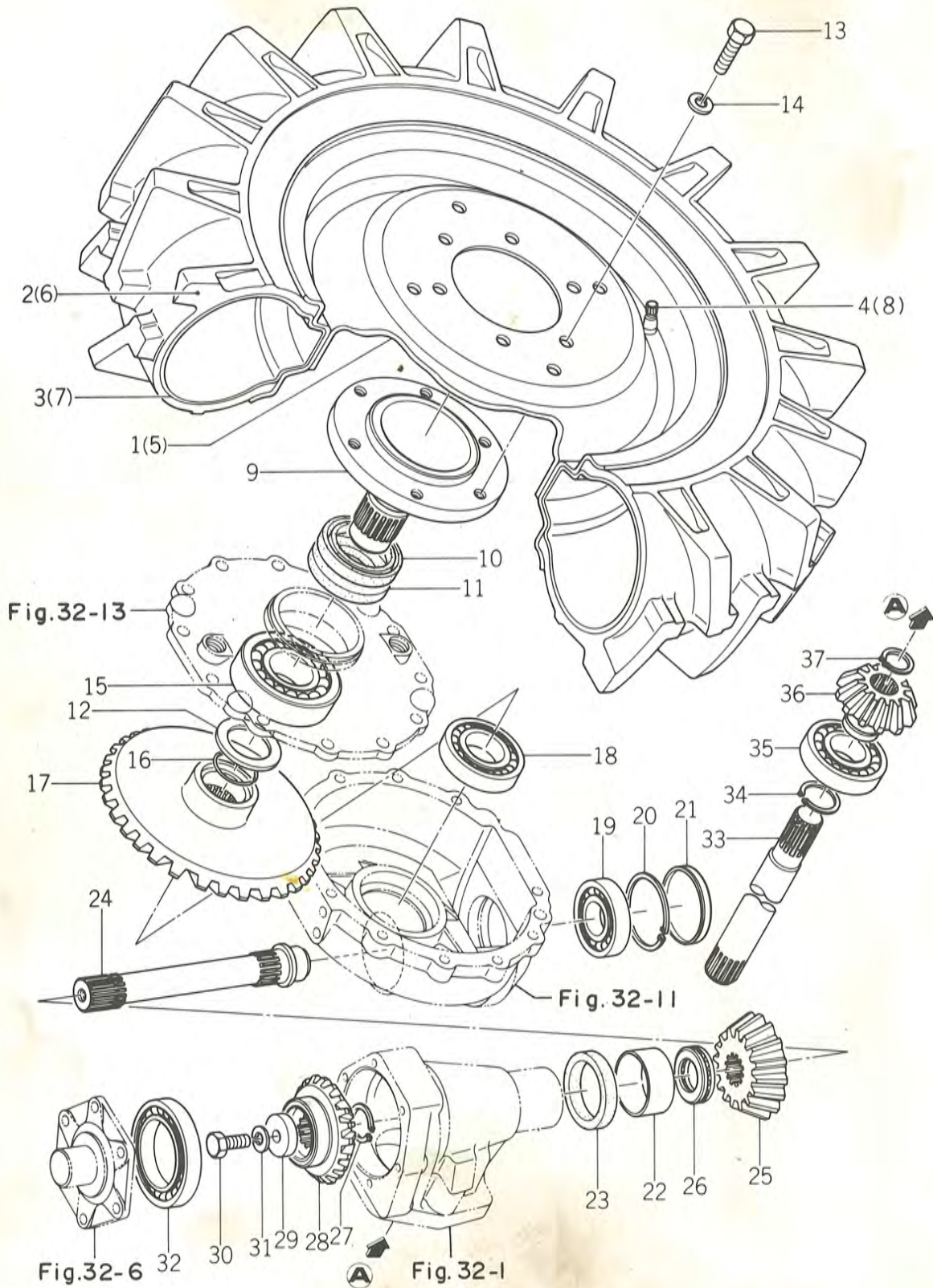
Ref.No.		Description	Q'ty		ISEKI Parts No.	Remarks
			2WD	4WD		
32- 1	1872631	CASE, FINAL A		2	1425-433-0011-0	
32- 2	1872632	PACKING, CASE		2	1425-433-0041-0	
32- 3	1877904	PIN, KNOCK		4	7963-201-0030-0	
32- 4	1860239	BOLT/M12 × 30		12	V201-461-2030-0	
32- 5	1860405	WASHER, SP/M12		12	V401-160-0120-0	
32- 6	1872633	COVER, BEARING		2	1425-433-0080-0	
32- 7	1872634	PACKING, COVER A		2	1425-433-0090-0	
32- 8	1872599	SEAL, OIL/OS35424		2	1425-433-0310-0	
32- 9	1862652	BOLT/M8 × 20 9T		12	V201-460-8020-0	
32-10	1860403	WASHER, SP/M8		12	V401-160-0080-0	
32-11	1872637	CASE, FINAL B LH SET		1	1425-433-2200-0	Included Fig. 34-22
32-12	1872638	CASE, FINAL B RH SET		1	1425-433-2301-0	Included Fig. 34-22
32-13	1872639	COVER, WHEEL SHAFT LH		2	1425-433-0240-0	
32-14	1872640	PACKING, COVER B		2	1425-433-0260-0	
32-15	1860741	PLUG/PT 1/2		4	V781-100-0008-0	
32-16	1862551	PIN, A/10 × 22		4	V520-101-0022-0	
32-17	1860254	BOLT/M10 × 25, 9T		28	V201-461-0025-0	
32-18	1860404	WASHER, SP/M10		24	V401-160-0100-0	
32-19	1872641	ARM, DRAG SET		1	1425-433-2401-0	
32-20	1872642	• BUSH/35 × 39 × 26		1	1425-433-0150-0	
32-21	1872643	METAL, KING PIN SET		1	1425-433-2501-0	
32-22	1872642	• PUSH/35 × 39 × 26		1	1425-433-0150-0	
32-23	1860736	NIPPLE, GREASE		2	V761-400-0000-0	
32-24	1862551	PIN, A/10 × 22		2	V520-101-0022-0	
32-25	1860243	STUD/M10 × 25 9T		4	V251-441-0025-0	
32-26	1860404	WASHER, SP/M10		8	V401-160-0100-0	
32-27	1860308	NUT/M10		4	V300-460-0100-0	
32-28	1872646	ARM, KNUCKLE LH		1	1425-433-0271-0	
32-29	1872647	ARM, KNUCKLE RH		1	1425-433-0281-0	
32-30	1862541	BOLT/M10 × 25		8	V201-461-0025-0	
32-31	1860404	WASHER, SP/M10		8	V401-160-0100-0	
32-32	1872648	ROD, TIE		1	1425-433-0291-0	
32-33	1872594	NUT/M20		1	V333-260-0200-0	
32-34	1872569	NUT, LH THREAD/M20		1	1426-426-0020-0	
32-35	1872595	END, ROD RH RH ASSY		1	1426-426-2100-0	
32-36	1872596	END, ROD LH LH ASSY		1	1425-433-2000-0	
32-37	1862672	• NIPPLE, GREASE		2	V767-400-0000-0	
32-38	1872597	• COVER, DUST		2	1426-426-2120-0	
32-39	1872598	NUT, SLOTTED/M14		2	V321-260-0140-0	
32-40		PIN, SPLIT/3 × 30		2	V500-153-0030-0	

Fig.33 DIFFERENTIAL CASE SYSTEM (4WD TYPE)



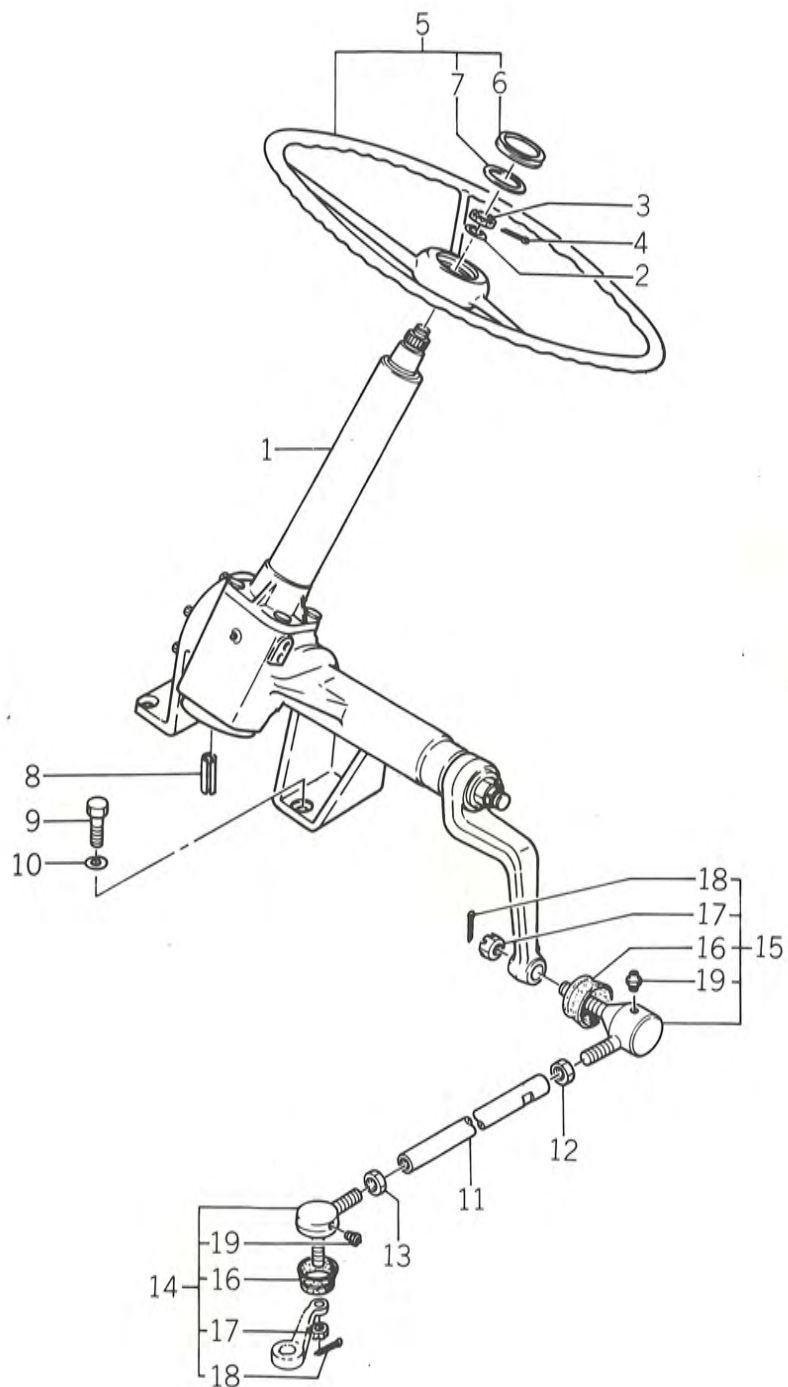
Ref.No.		Description	Q'ty		ISEKI Parts No.	Remarks
			2WD	4WD		
33- 1	1872655	PINION, BEVEL F. SET		1	1425-431-2001-0	
33- 2	1860714	RING, SNAP/C 62		1	V705-140-0620-0	
33- 3	1872656	COLLAR, B		1	1425-421-0090-0	
33- 4	1872657	SHIM, A/0.2		AR	1425-431-0080-0	
33- 5	1872658	SHIM, B/0.1		AR	1415-205-0160-0	
33- 6	1872659	BEARING, TR/32206		1	V631-113-2206-0	
33- 7	1872660	COLLAR, A		1	1425-421-0050-0	
33- 8	1872661	BEARING, TR/30206		1	V630-113-0206-0	
33- 9	1872662	WASHER, LOCK		1	1425-431-0070-0	
33-10	1872663	NUT/M30		2	1425-431-0060-0	
33-11	1872664	SEAL, OIL/TC254511		1	V744-125-4511-0	
33-12	1872665	CASE, DIFF		1	1425-431-0141-0	
33-13	1872666	GEAR, BEVEL/20T		2	1425-431-0160-0	
33-14	1862753	HOLDER, DIFF PINION		1	1425-431-0210-0	
33-15	1862754	PINION, DIFF/11T		4	1425-431-0150-0	
33-16	1871647	COLLAR, PINION THRUST		4	1427-301-0050-0	
33-17	1872667	SHAFT, DIFF PINION A		1	1425-431-0180-0	
33-18	1872668	SHAFT, DIFF PINION B		2	1425-431-0190-0	
33-19	1872669	PIN, A/8 × 20		3	V520-100-8020-0	
33-20	1862750	COLLAR, THRUST/43 × 58 × 1		1	1421-301-0120-0	
33-21	1872670	STUD/M8 × 42		4	V251-440-8042-0	
33-22	1860403	WASHER, SP/M8		4	V401-160-0080-0	
33-23	1860255	NUT/M8 7T		4	V300-460-0080-0	
33-24	1862877	BEARING, RB/6011		2	V600-110-6011-0	

Fig.34 FRONT WHEEL DRIVING SYSTEM (4WD TYPE)



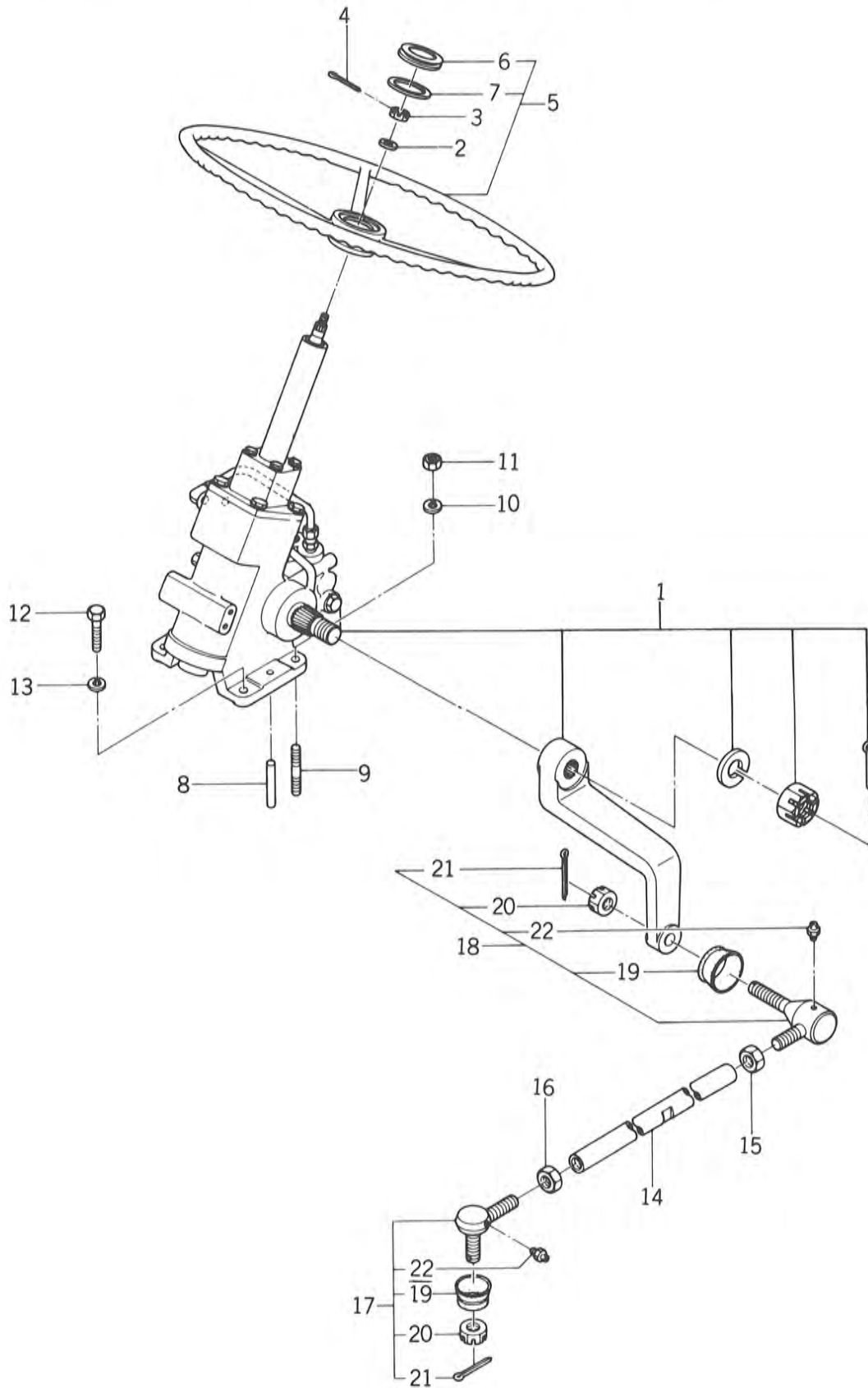
Ref.No.		Description	Q'ty		ISEKI Parts No.	Remarks
			2WD	4WD		
34- 0-1		TIRE, F. LH ASSY		1	1431-476-2000-0	} Option for E33
34- 1	1872671	. RIM, F. WHEEL		1	1425-438-2001-1	
34- 2	1872672	. TIRE		1	1431-476-2010-0	
34- 3	1872673	. TUBE		1	V889-006-0016-0	
34- 4	1860908	. CAP, TIRE VALVE		1	V999-300-0010-0	
34- 0-2		TIRE, F. RH ASSY		1	1431-476-2100-0	
34- 5	1872671	. RIM, F. WHEEL		1	1425-438-2001-1	
34- 6	1872672	. TIRE		1	1431-476-2010-0	
34- 7	1872673	. TUBE		1	V889-006-0016-0	
34- 8	1860908	. CAP, TIRE VALVE		1	V999-300-0010-0	
34- 9	1872674	SHAFT, WHEEL		2	1425-433-0190-0	
34-10	1872675	SEAL, OIL/TC557812		2	V744-155-7812-0	
34-11	1872676	SEAL, OIL/VC55789		2	V742-155-7809-0	
34-12	1872677	COLLAR, THRUST		2	1425-433-0230-0	
34-13	1860254	BOLT/M12 × 25 9T		12	V201-461-2025-0	
34-14	1860405	WASHER, SP/M12		12	V401-160-0120-0	
34-15	1872678	BEARING, RB/6309		2	V600-110-6309-0	
34-16	1872679	RING, SNAP		2	1425-433-0220-0	
34-17	1872680	GEAR, BEVEL/40T		2	1425-433-0210-0	
34-18	1860610	BEARING, RB/6208		2	V600-110-6208-0	
34-19	1860613	BEARING, RB/6306		2	V600-110-6306-0	
34-20	1862544	RING, SNAP/C72		2	V705-140-0720-0	
34-21	1872681	CAP, BLANK/72		2	1425-433-0180-0	
34-22	1872682	BUSH/55 × 60 × 30		2	1425-433-0130-0	
34-23	1872683	SEAL, OIL/TC55729		2	V744-155-7209-0	
34-24	1872684	SHAFT, COUNTER		2	1425-433-0060-0	
34-25	1872685	GEAR, BEVEL/16T		2	1425-433-0170-0	
34-26	1872686	BEARING, TB/51107		2	V610-115-1107-0	
34-27	1860707	RING, SNAP/C 30		2	V704-140-0300-0	
34-28	1872687	GEAR, BEVEL/17T		2	1425-433-0050-0	
34-29	1872688	WASHER/13 × 42 × 9		2	1425-433-0070-0	
34-30	1860239	BOLT/M12 × 30 9T		2	V201-461-2030-0	
34-31	1860405	WASHER, SP/M12		2	V401-160-0120-0	
34-32	1872689	BEARING, RB/6013		2	V600-110-6013-0	
34-33	1872690	SHAFT, FINAL DRIVE		2	1425-433-0030-0	
34-34	1860709	RING, SNAP/C 35		2	V704-140-0350-0	
34-35	1860614	BEARING, RB/6307		2	V600-110-6307-0	
34-36	1872691	GEAR, BEVEL/13T		2	1425-433-0020-0	
34-37	1860706	RING, SNAP/C 25		2	V704-140-0250-0	

Fig.35 STEERING WHEEL (MECHANICAL TYPE)



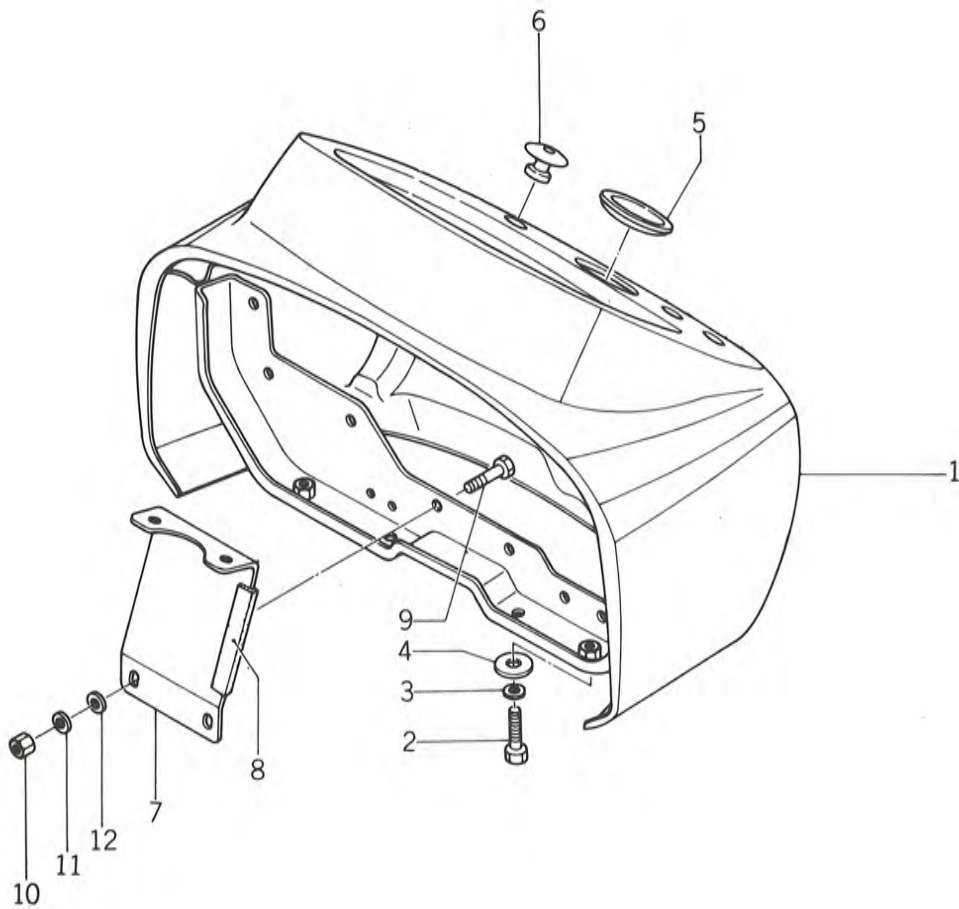
Ref.No.		Description	Q'ty		ISEKI Parts No.	Remarks
			2WD	4WD		
35- 1	1872692	BOX, STEERING GEAR ASSY	1		1426-406-2003-0	See Fig. 73
35- 2	1860415	WASHER/M10	1		V413-160-0100-0	
35- 3	1860923	NUT, SLOTTED/M10 P = 1.25	1		V321-260-0100-0	
35- 4	1862569	PIN, SPLIT/2 × 25	1		V500-152-0025-0	
35- 5	1871468	WHEEL, STEERING ASSY	1		1421-400-0520-0	
35- 6	1871428	• CAP, STEERING	1		1407-406-0020-0	
35- 7	1871429	• PACKING, CAP	1		1407-406-0040-0	
35- 8	1862551	PIN, A/10 × 22	2		V520-101-0022-0	
35- 9	1860239	BOLT/M12 × 30 9T	4		V201-461-2030-0	
35-10	1860405	WASHER, SP/M12	4		V401-160-0120-0	
35-11	1872693	ROD, DRAG	1		1425-406-0010-0	
35-12	1862378	NUT, LH THREAD/M17	1		1421-403-0020-0	
35-13	1862379	NUT/M17	1		1421-403-0010-0	
35-14	1872694	END, ROD RH RH ASSY	1		1423-400-0520-0	
35-15	1862381	END, ROD LH RH ASSY	1		1421-400-0540-0	
35-16	1862383	• COVER, DUST	2		1404-402-0010-0	
35-17	1862384	• NUT, SLOTTED/M12	2		1421-403-0030-0	
35-18	1860506	• PIN, SPLIT/3 × 20	2		V500-153-0020-0	
35-19	1871420	• NIPPLE, GREASE	2		1404-402-0050-0	

Fig.36 STEERING WHEEL (POWER TYPE)



Ref.No.		Description	Q'ty		ISEKI Parts No.	Remarks	
			2WD	4WD			
36- 1	1872695	BOX, STEERING GEAR	1	1	1426-426-2002-0	See Fig. 74	
36- 2	1860415	WASHER/M10	1	1	V413-160-0100-0		
36- 3	1860319	NUT, SLOTTED/M10	1	1	V321-260-0100-0		
36- 4	1862569	PIN, SPLIT/2 × 25	1	1	V500-152-0025-0		
36- 5	1871468	WHEEL, STEERING ASSY	1	1	1421-400-0520-0		
36- 6	1871428	• GAP, STEERING	1	1	1407-406-0020-0		
36- 7	1871429	• PACKING, CAP	1	1	1407-406-0040-0		
36- 8		PIN, A/10 × 22	2	2	V520-101-0020-0		
36- 9	1863814	STUD/M12 30 9T	2	2	V251-441-2030-0		
36-10	1860405	WASHER, SP/M12	2	2	V401-160-0120-0		
36-11	1860306	NUT/M12 7T	2	2	V300-460-0120-0		
36-12	1862609	BOLT/M12 × 35 9T	2	2	V201-461-2035-0		
36-13	1860405	WASHER, SP/M12	2	2	V401-160-0120-0		
36-14	1872696	ROD, DRAG	1		1426-426-0011-0		For DUG
36-14-1	1872697	ROD, DRAG		1	1425-437-0010-0		For F-DUG, LF-DUG
36-15	1872569	NUT, LH THREAD/M20	1	1	1426-426-0020-0		
36-16	1872594	NUT/M20	1	1	V333-260-0200-0		
36-17	1872651	END, ROD RH RH ASSY	1	1	1426-426-2100-0		
36-18	1872701	END, ROD LH LH ASSY	1	1	1426-426-2200-0		
36-19	1872597	• COVER, DUST	2	2	1426-426-2120-0		
36-20	1872598	• NUT, SLOTTED/M14	2	2	V321-260-0140-0		
36-21		• PIN, SPLIT/3 × 30	2	2	V500-153-0030-0		
36-22	1862672	• NIPPLE, GREASE	2	2	V767-400-0000-0		

Fig.37 METER PANEL

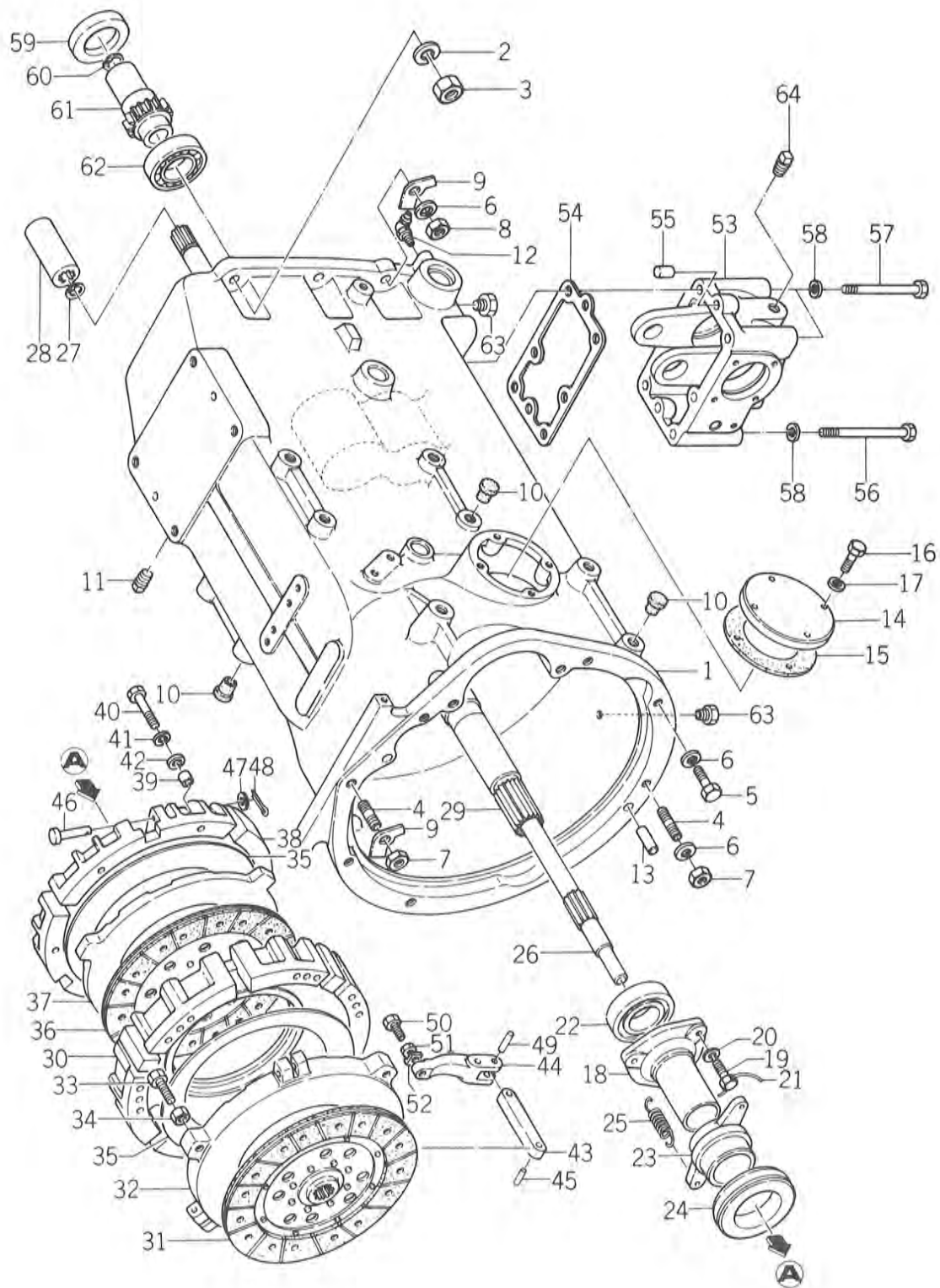


Ref.No.		Description	Q'ty		ISEKI Parts No.	Remarks
			2WD	4WD		
37- 1	1872704	PANEL, METER	1	1	1431-661-2001-8	
37- 2	1860216	BOLT/M8 × 20	2	2	V201-260-8020-0	
37- 3	1860403	WASHER, SP/M8	2	2	V401-160-0080-0	
37- 4	1862480	WASHER	2	2	3560-201-0150-0	
37- 5	1862433	BUSH, STEERING	1	1	1421-603-0010-0	
37- 6	1862436	BUSH, LEVER	1	1	1421-603-0040-0	
37- 7	1872705	STAY, METER	1	1	1423-603-0010-0	
37- 8	1872706	SHIELD, END	1	1	1423-603-0020-0	
37- 9	1860202	BOLT/M6 × 16	2	2	V200-260-6016-0	
37-10	1860303	NUT/M6	2	2	V300-260-0060-0	
37-11	1860402	WASHER, SP/M6	2	2	V401-160-0060-0	
37-12	1860413	WASHER/M6	2	2	V413-160-0060-0	

Ref.No.		Description	Q'ty		ISEKI Parts No.	Remarks
			2WD	4WD		
38- 1	1872551	HOUSING, CLUTCH	1		1424-120-0012-0	
38- 2	1872552	NUT/M14 7T	2		V303-460-0140-0	
38- 3	1862426	WASHER, SP/M14	2		V401-160-0140-0	
38- 4	1872561	STUD/M12 × 32 9T	3		V251-441-2032-0	
38- 5	1862609	BOLT/M12 × 35 9T	5		V201-461-2035-0	
38- 6	1860405	WASHER, SP/M12	10		V401-160-0120-0	
38- 7	1872644	NUT/M12 7T	3		V303-400-0120-0	
38- 8	1862594	NUT/M12 7T	4		V303-460-0120-0	
38- 9	1862442	WASHER, LOCK/M12	3		1404-120-0090-0	
38-10	1871691	CAP, BLANK/M14	20		1427-317-0040-0	
38-11	1871309	PLUG, DRAIN PT 1/8	2		1326-706-0020-0	
38-12	1860737	NIPPLE, GREASE/B-PT1/8	2		V763-400-0000-0	
38-13	1862551	PIN, A/10 × 22	1		V520-101-0022-0	
38-14	1862443	COVER, INSPECTION	1		1416-120-0020-0	
38-15	1862444	PACKING	1		1416-120-0030-0	
38-16	1860214	BOLT/M8 × 16	4		V201-260-8016-0	
38-17	1860403	WASHER, SP/M8	4		V401-160-0080-0	
38-18	1872700	GUIDE, SLEEVE	1		1415-120-0030-0	
38-19	1872707	BOLT/M8 × 25	3		1401-211-0100-0	
38-20	1860403	WASHER, SP/M8	3		V401-160-0080-0	
38-21		WIRE/0.9 × 200	1			
38-22	1872708	BEARING, RB/62072NS	1		V600-150-6207-0	
38-23	1872709	SLEEVE	1		1415-120-0050-0	
38-24	1872710	BEARING, RELEASE	1		1415-120-0040-0	
38-25	1872711	SPRING, TENSION/86	2		1415-120-0060-0	
38-26	1872712	SHAFT, INPUT A	1		1417-120-0021-0	
38-27	1872713	RING, SNAP/C 17	1		V705-140-0170-0	
38-28	1872714	COUPLING, SPLINE/20 × 75	1		1415-120-0080-0	
38-29	1872715	SHAFT, INPUT B	1		1417-120-1002-0	
38- 0-1	1872716	CLUTCH, DUAL ASSY/225	1		1426-120-2001-0	
38-30		• COVER, CLUTCH A	1			△
38-31	1872717	• DISC, CLUTCH F/225	1		1426-120-2100-0	
38-32		• PLATE, PRESS A	1			△
38-33	1872718	• BOLT	3		1415-120-0160-0	
38-34	1872719	• NUT	3		1415-120-0170-0	
38-35		• SPRING, DIAPHRAGM	2			△
38-36	1872720	• DISC, P/225	1		1426-120-2201-0	
38-37		• PLATE, PRESS B	1			△
38-38	1872721	• COVER, CLUTCH B	1		1415-120-0100-0	
38-39	1872722	• PIPE, KNOCK	4		1415-120-0230-0	
38-40	1872723	• BOLT	6		1415-120-0220-0	
38-41	1872724	• WASHER, SP/M8	6		1415-120-0240-0	
38-42	1872725	• WASHER/M8	2		1415-120-0250-0	
38-43	1872726	• ROD, RELEASE	3		1415-120-3000-0	
38-44	1872727	• LEVER, RELEASE	3		1415-120-2000-0	

Ref.No.		Description	Q'ty		ISEKI Parts No.	Remarks
			2WD	4WD		
38-45	1872728	• PIN, RELEASE ROD	3		1415-120-0020-0	
38-46	1872729	• PIN, LEVER A	3		1415-120-0180-0	
38-47	1872730	• WASHER	3		1415-120-0210-0	
38-48	1872731	• PIN, SPLIT/1.2 × 15	3		V500-151-2015-0	
38-49	1872732	• PIN, LEVER B	3		1415-120-0190-0	
38-50	1872733	• SCREW, LEVER ADJ	3		1415-120-0140-0	
38-51	1872734	• NUT	3		1415-120-0150-0	
38-52	1872735	• WASHER, LOCK	3		1415-120-0260-0	

Fig.39 CLUTCH HOUSING (4WD TYPE)



Ref.No.		Description	Q'ty		ISEKI Parts No.	Remarks
			2WD	4WD		
39- 1	1872736	HOUSING, CLUTCH		1	1425-132-0013-0	
39- 2	1862426	WASHER, SP/M8		2	V401-160-0140-0	
39- 3	1872552	NUT/M14 7T		2	V303-460-0140-0	
39- 4	1872561	STUD/M12×32 9T		3	V251-441-2032-0	
39- 5	1862609	BOLT/M12×35 9T		5	V201-461-2035-0	
39- 6	1860405	WASHER, SP/M12		10	V401-160-0120-0	
39- 7	1862594	NUT/M12 7T		3	V303-460-0120-0	
39- 8	1862594	NUT/M12 7T		4	V303-460-0120-0	
39- 9	1862442	WASHER, LOCK/M12		3	1404-120-0090-0	
39-10	1871691	CAP, BLANK/M14		14	1427-317-0040-0	
39-11	1860741	PLUG		1	V781-100-0008-0	
39-12	1860737	NIPPLE, GREASE/B-PT 1/8		2	V763-400-0000-0	
39-13	1862551	PIN, A/10×22		1	V520-101-0022-0	
39-14	1862443	COVER, INSPECTION		1	1416-120-0020-0	
39-15	1862444	PACKING		1	1416-120-0030-0	
39-16	1860214	BOLT/M8×16		4	V201-260-8016-0	
39-17	1860403	WASHER, SP/M8		4	V401-160-0080-0	
39-18	1872700	GUIDE, SLEEVE		1	1415-120-0030-0	
39-19	1872707	BOLT/M8×25		3	1401-211-0100-0	
39-20	1860403	WASHER, SP/M8		3	V401-160-0080-0	
39-21		WIRE/0.9×200		1		
39-22	1872708	BEARING, RB/62072NS		1	V600-150-6207-0	
39-23	1872709	SLEEVE		1	1415-120-0050-0	
39-24	1872710	BEARING, RELEASE/CT55 BL1		1	1415-120-0040-0	
39-25	1872711	SPRING, TENSION/86		2	1415-120-0060-0	
39-26	1872712	SHAFT, INPUT A		1	1417-120-0021-0	
39-27	1872713	RING, SNAP/C 17		1	V705-140-0170-0	
39-28	1872714	COUPLING, SPLINE/20×75		1	1415-120-0080-0	
39-29	1872715	SHAFT, INPUT B		1	1417-120-1002-0	
39- 0-1	1872716	CLUTCH, DUAL ASSY/225		1	1426-120-2001-0	
39-30		• COVER, CLUTCH A		1		△
39-31	1872717	• DISC, F/225		1	1426-120-2100-0	
39-32		• PLATE, PRESS A		1		△
39-33	1872718	• BOLT		3	1415-120-0160-0	
39-34	1872719	• NUT		3	1415-120-0170-0	
39-35		• SPRING, DIAPHRAM		2		△
39-36	1872720	• DISC, P/225		1	1426-120-2201-0	
39-37		• PLATE, PRESS B		1		△
39-38	1872721	• COVER, CLUTCH B		1	1415-120-0100-0	
39-39	1872722	• PIPE, KNOCK		4	1415-120-0230-0	
39-40	1872723	• BOLT		6	1415-120-0220-0	
39-41	1872724	• WASHER, SP/M8		6	1415-120-0240-0	
39-42	1872725	• WASHER/M8		2	1415-120-0250-0	
39-43	1872726	• ROD, RELEASE		3	1415-120-3000-0	
39-44	1872727	• LEVER, RELEASE		3	1415-120-2000-0	

Ref.No.		Description	Q'ty		ISEKI Parts No.	Remarks
			2WD	4WD		
39-45	1872728	• PIN, RELEASE ROD		3	1415-120-0020-0	
39-46	1872729	• PIN, LEVER A		3	1415-120-0180-0	
39-47	1872730	• WASHER		3	1415-120-0210-0	
39-48	1872731	• PIN, SPLIT/1.2 × 15		3	V500-151-2015-0	
39-49	1872732	• PIN, LEVER B		3	1415-120-0190-0	
39-50	1872733	• SCREW, LEVER ADJ		3	1415-120-0140-0	
39-51	1872734	• NUT		3	1415-120-0150-0	
39-52	1872735	• WASHER, LOCK		3	1415-120-0260-0	
39-53	1872737	METAL, SHIFT		1	1425-139-0040-0	
39-54	1872738	PACKING		1	1425-139-0050-0	
39-55	1862551	PIN, A/10 × 22		2	V520-101-0022-0	
39-56	1872739	BOLT/M10 × 105 9T		4	V201-461-0105-0	
39-57	1872740	BOLT/M10 × 95 9T		2	V201-461-0095-0	
39-58	1860404	WASHER, SP/M10		6	V401-160-0100-0	
39-59	1872741	SEAL, OIL/SC426512		1	V740-142-6512-0	
39-60	1860738	RING, SNAP/C 17		1	V705-140-0170-0	
39-61	1872742	GEAR, DRIVE/17T		1	1425-132-0021-0	
39-62	1860608	BEARING, RB/6206		1	V600-110-6206-0	
39-63	1871309	PLUG, DRAIN		2	1326-706-0020-0	
39-64	1862615	PLUG		1	V781-100-0006-0	

Ref.No.		Description	Q'ty		ISEKI Parts No.	Remarks
			2WD	4WD		
40- 1	1872743	HOUSING, CLUTCH		1	1425-134-0010-0	
40- 2	1872561	STUD/M12 × 32 9T		3	V251-441-2032-0	
40- 3	1862609	BOLT/M12 × 35 9T		5	V201-461-2035-0	
40- 4	1860405	WASHER, SP/M12		10	V401-160-0120-0	
40- 5	1862594	NUT/M12 7T		3	V303-460-0120-0	
40- 6	1862594	NUT/M12 7T		4	V303-460-0120-0	
40- 7	1862442	WASHER, LOCK/M12		3	1404-120-0090-0	
40- 8	1872552	NUT/M14 7T		2	V303-460-0140-0	
40- 9	1862426	WASHER, SP/M14		2	V401-160-0140-0	
40-10	1871691	CAP, BLANK/M14		14	1427-317-0040-0	
40-11	1860741	PLUG		1	V781-100-0008-0	
40-12	1860737	NIPPLE, GREASE		2	V763-400-0000-0	
40-13	1862551	PIN, A/10 × 22		1	V520-101-0022-0	
40-14	1862443	COVER, INSPECTION		1	1416-120-0020-0	
40-15	1862444	PACKING		1	1416-120-0030-0	
40-16	1860214	BOLT/M8 × 16		4	V201-260-8016-0	
40-17	1860403	WASHER, SP/M8		4	V401-160-0080-0	
40-18	1863723	CAP, BLANK		1	1427-252-0020-0	
40-19	1871309	PLUG, DRAIN		2	1326-706-0020-0	
40-20	1872745	METAL, SLEEVE		1	1425-135-0010-0	
40-21	1872746	PACKING, SLEEVE METAL		1	1425-134-0030-0	
40-22	1862867	PIN, A/6 × 16		2	V520-200-6016-0	
40-23	1872707	BOLT/M8 × 25		4	1401-211-0100-0	
40-24	1872748	BOLT/M8 × 45		4	1415-125-0240-0	
40-25	1860403	WASHER, SP/M8		8	V401-160-0080-0	
40-26		WIRE/0.9 × 700		1		
40-27	1872749	SEAL, OIL/SC35507		1	V740-235-5007-0	
40-28	1872709	SLEEVE		1	1415-120-0050-0	
40-29	1872710	BEARING, RELEASE		1	1415-120-0040-0	
40-30	1872750	SPRING, TENSION/41		2	1415-125-0250-0	
40-31	1872751	COUPLING/20 × 95		1	1415-125-0320-0	
40- 0-1	1872716	CLUTCH, DUAL ASSY/225		1	1426-120-2001-0	
40-32		• COVER, CLUTCH A		1		△
40-33	1872217	• DISK, F/225		1	1426-120-2100-0	
40-34		• PLATE, PRESS A		1		△
40-35	1872718	• BOLT		3	1415-120-0160-0	
40-36	1872719	• NUT		3	1415-120-0170-0	
40-37		• SPRING, DIAPHRAGM		2		△
40-38	1872720	• DISC, P/225		1	1426-120-2201-0	
40-39		• PLATE, PRESS B		1		△
40-40	1872721	• COVER, CLUTCH		1	1415-120-0100-0	
40-41	1872722	• PIPE, KNOCK		4	1415-120-0230-0	
40-42	1872723	• BOLT		6	1415-120-0220-0	
40-43	1872724	• WASHER, SP/M8		6	1415-120-0240-0	
40-44	1872725	• WASHER/M8		2	1415-120-0250-0	

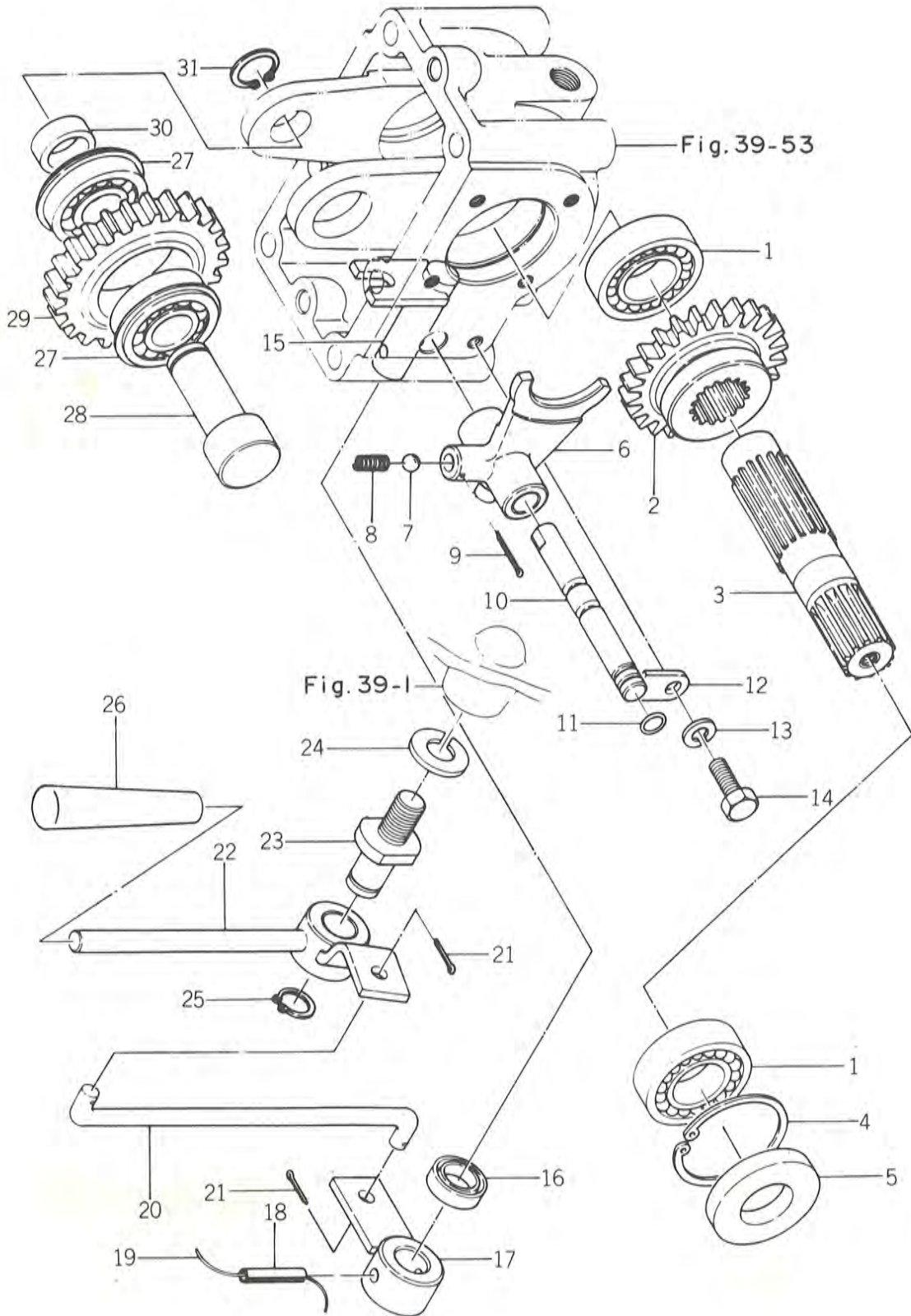
Ref.No.		Description	Q'ty		ISEKI Parts No.	Remarks
			2WD	4WD		
40-45	1872726	• ROD RELEASE		3	1415-120-3000-0	
40-46	1872727	• LEVER, RELEASE		3	1415-120-2000-0	
40-47	1872728	• PIN, RELEASE ROD		3	1415-120-0200-0	
40-48	1872729	• PIN, LEVER A		3	1415-120-0180-0	
40-49	1872730	• WASHER		3	1415-120-0210-0	
40-50	1872731	• PIN, SPLIT/1.2 × 15		3	V500-151-2015-0	
40-51	1872732	• PIN, LEVER B		3	1415-120-0190-0	
40-52	1872733	• SCREW, LEVER ADJ		3	1415-120-0140-0	
40-53	1872734	• NUT		3	1415-120-0150-0	
40-54	1872735	• WASHER, LOCK		3	1415-120-0260-0	
40-55	1872753	COVER, BOTTOM		1	1425-134-0070-0	
40-56	1872754	PACKING, COVER		1	1425-134-0080-0	
40-57	1860216	BOLT/M8 × 20		4	V201-260-8020-0	
40-58	1860403	WASHER, SP/M8		4	V401-160-0080-0	
40-59	1872737	METAL, SHIFT		1	1425-139-0040-0	
40-60	1872738	PACKING		1	1425-139-0050-0	
40-61	1862551	PIN, A/10 22		2	V520-101-0022-0	
40-62	1872739	BOLT/M10 × 105 9T		4	V201-461-0105-0	
40-63	1872740	BOLT/M10 × 95 9T		2	V201-461-0095-0	
40-64	1860404	WASHER, SP/M10		6	V401-160-0100-0	
40-65	1872741	SEAL, OIL/SC426512		1	V740-142-6512-0	
40-66	1860738	RING, SNAP/C 17		1	V705-140-0170-0	
40-67	1872742	GEAR, DRIVE/17T		1	1425-132-0021-0	
40-68	1860608	BEARING, RB/6206		1	V600-110-6206-0	
40-69	1862615	PLUG/PT 3/8		1	V781-100-0006-0	

Ref.No.		Description	Q'ty		ISEKI Parts No.	Remarks
			2WD	4WD		
41- 1	1872755	GEAR, INPUT/13T		1	1415-125-0051-0	
41- 2	1872756	GEAR, INPUT/24T		1	1415-125-0061-0	
41- 3	1872757	PIPE, INPUT		1	1415-125-0260-0	
41- 4	1872758	METAL, BEARING		1	1425-134-0060-0	
41- 5	1872759	PIN, A/6 × 16		1	V520-100-6016-0	
41- 6	1872760	SEAL, OIL/SC30507		1	V740-230-5007-0	
41- 7	1872749	SEAL, OIL/SC35507		1	V740-235-5007-0	
41- 8	1862854	BEARING, RB/6007		2	V600-110-6007-0	
41- 9	1860714	RING, SNAP/62		1	V705-140-0620-0	
41-10	1872762	STUD/M6 × 12 9T		2	V251-440-6012-0	
41-11	1872763	BOLT/M6 × 50 9T		4	V200-460-6050-0	
41-12	1860402	WASHER, SP/M6		4	V401-160-0060-0	
41-13	1860303	NUT/M6 7T		2	V300-460-0060-0	
41-14	1872764	WASHER, LOCK/M6		2	1415-125-0350-0	
41-15	1860608	BEARING, RB/6206		1	V600-110-6206-0	
41-16	1860707	RING, SNAP/C 30		1	V704-140-0300-0	
41-17	1872765	BEARING, NR/TLA2020		1	V653-420-2620-0	
41-18	1872766	SHAFT, OUTPUT		1	1415-125-0310-0	
41-19	1872767	GEAR, SHIFT/35T		1	1426-125-0030-0	
41-20	1860607	BEARING, RB/6205		1	V600-110-6205-0	
41-21	1860706	RING, SNAP/C 25		1	V704-140-0250-0	
41-22	1872768	GEAR, OUTPUT/24T		1	1417-125-0020-0	
41-23	1872769	SEAL, OIL/SC25449		1	V740-225-4409-0	
41-24	1860739	RING, SNAP/C 52		1	V705-140-0520-0	
41-25	1872770	BEARING, RB/6012		1	V600-110-6012-0	
41-26	1872771	RING, SNAP/C 95		2	V705-140-0950-0	
41-27	1872772	RING, SNAP/ C 60		1	V704-140-0600-0	
41-28	1872773	SEAL, OIL/SC609512		1	1415-125-0130-0	
41-29	1872774	SHAFT, COUNTER		1	1415-125-0271-0	
41-30	1872775	GEAR, COUNTER/39-17T		1	1426-125-0021-0	
41-31	1872776	BEARING, NR/KT283313		1	1415-125-0360-0	
41-32	1872777	GEAR, COUNTER/28T		1	1415-125-0080-0	
41-33	1860612	BEARING, RB/6304		2	V600-110-6304-0	
41-34	1872778	STAY, CREEP SHIFTER		1	1426-125-0050-0	
41-35	1872779	O-RING/P11		2	V720-102-4011-0	
41-36	1872780	SHIFTER, CREEP		1	1426-125-0040-0	
41-37	1862687	BOLT/M8 × 16		1	1415-216-0060-0	
41-38		WIRE/0.9 × 100		1		
41-39	1862660	BALL, STEEL/13/32		1	V680-200-0013-0	
41-40	1862461	SPRING, SHIFTER		1	1415-210-0020-0	
41-41	1872783	WASHER/13 × 25 × 2		1	1415-125-0160-0	
41-42	1872784	BOLT/M12 × 12		1	1424-125-0030-0	
41-43	1872785	BOSS, SHIFT		1	1415-125-0171-0	
41-44	1862687	BOLT/M8 × 16		1	1415-216-0060-0	
41-45		WIRE/0.9 × 100		1		

Ref.No.		Description	Q'ty		ISEKI Parts No.	Remarks
			2WD	4WD		
41-46	1872786	ARM, SHIFT		1	1415-125-2001-0	
41-47	1862661	O-RING/P12		1	V720-102-4012-0	
41-48	1872787	LEVER, SHIFT		1	1426-125-2000-0	
41-49	1874100	GRIP		1	4106-105-3030-0	
41-50	1860514	PIN, SPRING/W 6 x 28		1	V580-140-6028-0	
41-51	1872788	COVER, HOUSING		1	1426-125-0060-0	
41-52	1872789	PACKING, COVER		1	1415-125-0190-0	
41-53	1860216	BOLT/M8 x 20		6	V201-260-8020-0	
41-54	1872790	WASHER, SP/M8		6	V401-160-0800-0	
41-55	1877901	CAP, OIL/30		1	7954-205-1000-0	
41-56	1872791	SEAL, OIL		1	V744-240-5508-0	
41-57	1872792	GEAR, COUNTER/28T		1	1415-125-0290-0	
41-58	1860602	BEARING, RB/6008		1	V600-110-6008-0	
41-59		WIRE/0.9 x 150		1		
41-60	1872793	STOPPER, OIL		1	1425-134-0090-0	
41-61	1860201	BOLT/M6 x 12		2	V200-260-6012-0	
41-62	1860402	WASHER, SP/M6		2	V401-160-0060-0	

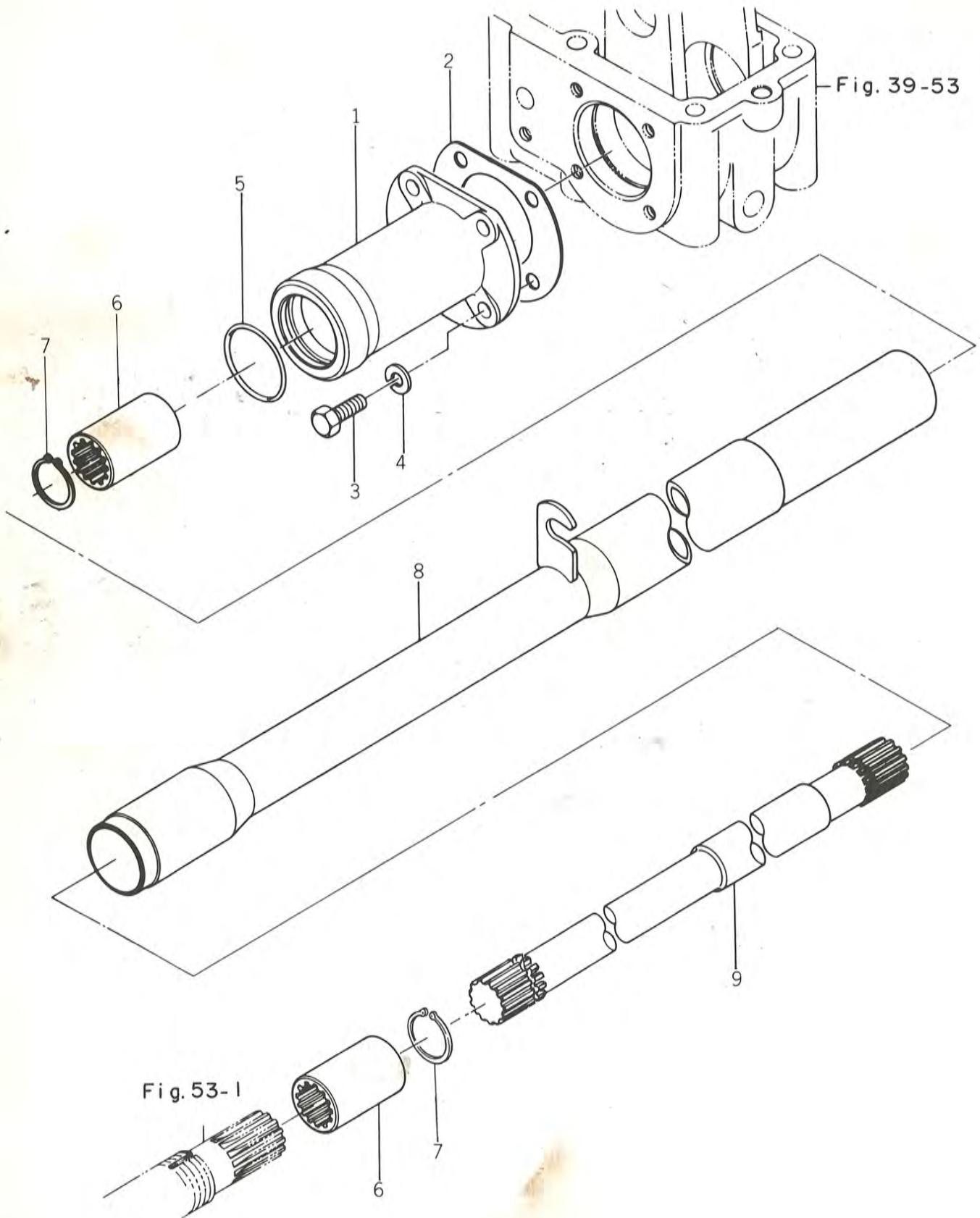


Fig.42 CHANGE GEAR SYSTEM (4WD TYPE)



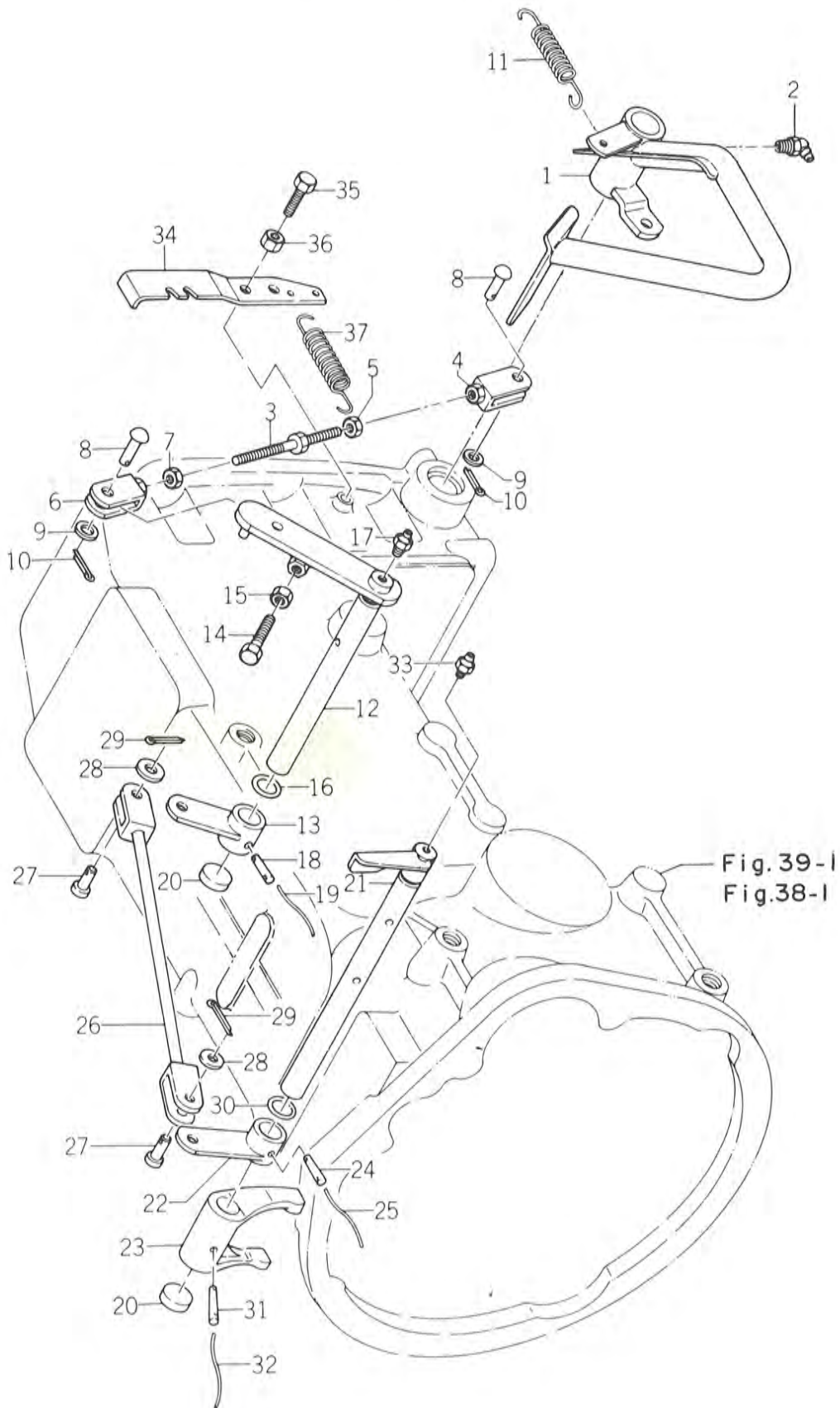
Ref.No.		Description	Q'ty		ISEKI Parts No.	Remarks
			2WD	4WD		
42- 1	1860607	BEARING, RB/6205		2	V600-110-6205-0	
42- 2	1872794	GEAR, SHIFT/24T		1	1425-132-0080-0	
42- 3	1872795	SHAFT, SHIFT		1	1425-132-0070-0	
42- 4	1860739	RING, SNAP/C52		1	V705-140-0520-0	
42- 5	1872809	SEAL, OIL/SC25528		1	V740-225-5208-0	25 mm x 52 mm x 5 mm
42- 6	1872796	SHIFTER		1	1425-132-0091-0	
42- 7	1860625	BALL, STEEL/5/16"		1	V680-200-0010-0	
42- 8	1871301	SPRING, SHIFTER		1	1302-225-0030-0	
42- 9	1860507	PIN, SPLIT/3 x 25		1	V500-153-0025-0	
42-10	1872797	STAY, SHIFTER		1	1425-132-0110-0	
42-11	1862859	O-RING/P10		1	V720-101-9010-0	
42-12	1872798	STOPPER, SHIFTER STAY		1	1416-216-0040-0	
42-13	1860403	WASHER, SP/M8		1	V401-160-0080-0	
42-14	1860212	BOLT/M8 x 12		1	V201-260-8012-0	
42-15	1872799	ARM, SHIFT		1	1425-132-2000-0	
42-16	1872800	SEAL, OIL/SC16267		1	V740-116-2607-0	
42-17	1872801	BOSS, SHIFT		1	1425-132-2100-0	
42-18	1860520	PIN, SPRING/W6 x 32		1	V580-140-6032-0	
42-19		WIRE/0.9 x 150		1		
42-20	1872802	ROD/235		1	1425-132-0130-0	
42-21	1860502	PIN, SPLIT/2 x 18		2	V500-152-0018-0	
42-22	1872803	LEVER, SHIFT		1	1425-132-2200-0	
42-23	1872804	PIN, COUNTER SHIFT		1	1425-132-0120-0	
42-24	1862426	WASHER, SP/M14		1	V401-160-0140-0	
42-25	1872805	RING, SNAP/C 16		1	V704-140-0160-0	
42-26	1874100	GRIP		1	4106-105-3030-0	
42-27	1860617	BEARING, RB/6204 NR		2	V607-110-6204-0	
42-28	1872806	PIN, COUNTER		1	1425-139-0020-0	
42-29	1872807	GEAR, COUNTER/27T		1	1425-139-0010-0	
42-30	1872808	COLLAR		1	1425-139-0030-0	
42-31	1860704	RING, SNAP/C 20		1	V704-140-0200-0	

Fig.43 DRIVE SHAFT SYSTEM (4WD TYPE)



Ref.No.		Description	Q'ty		ISEKI Parts No.	Remarks
			2WD	4WD		
43- 1	1872810	COVER, METAL		1	1425-132-0160-0	
43- 2	1872811	PACKING, COVER		1	1425-132-0170-0	
43- 3	1860216	BOLT/M8 × 20		4	V201-260-8020-0	
43- 4	1860403	WASHER, SP/M8		4	V401-160-0080-0	
43- 5	1872812	O-RING/G40		1	V721-103-1040-0	
43- 6	1872813	COUPLING		2	1425-132-0150-0	
43- 7	1860706	RING, SNAP/C 25		2	V704-140-0250-0	
43- 8	1872814	COVER, SHAFT		1	1425-132-2300-0	
43- 9	1872815	SHAFT, DRIVE		1	1425-132-0141-0	

Fig.44 CLUTCH PEDAL (2WD, 4WD TYPE)



Ref.No.		Description	Q'ty		ISEKI Parts No.	Remarks
			2WD	4WD		
44- 1	1872816	PEDAL, CLUTCH	1	1	1426-128-2000-0	
44- 2	1860737	NIPPLE, GREASE	1	1	V763-400-0000-0	
44- 3	1872817	ROD, CLUTCH	1	1	1424-122-2000-0	
44- 4	1871452	YOKE, LH THREAD	1	1	1415-312-5000-0	
44- 5	1871401	NUT, LH THREAD/M8	1	1	1401-122-0050-0	
44- 6	1871453	YOKE, RH THREAD	1	1	1415-312-6000-0	
44- 7	1860310	NUT/M8	1	1	V302-260-0080-0	
44- 8	1871419	PIN, YOKE A	2	2	1404-312-0060-0	
44- 9	1860414	WASHER/M8	2	2	V413-160-0080-0	
44-10	1860501	PIN, SPLIT/2 × 15	2	2	V500-152-0015-0	
44-11	1871412	SPRING, PARKING BRAKE	1	1	1403-312-0030-0	
44- 0-1	1872818	CLUTCH SHAFT & ARM SET	1	1	1417-012-2000-0	
44-12		• SHAFT, CLUTCH	1	1		△
44-13		• ARM, CLUTCH A	1	1		△
44-14	1872819	BOLT/M8 × 40 S=40	1	1	W201-260-8040-0	
44-15	1860310	NUT/M8	1	1	V302-260-0080-0	
44-16	1872820	O-RING	1	1	1415-122-0010-0	
44-17	1862672	NIPPLE, GREASE	1	1	V767-400-0000-0	
44-18	1862477	PIN, TAPER	1	1	1404-101-0010-0	
44-19		WIRE/1.2 × 200	1	1	V590-131-2200-0	
44-20	1862478	CAP, SEAL	2	2	1415-122-0020-0	
44- 0-2	1872822	SHAFT, THROUGHOUT SET	1	1	1417-012-2100-0	
44-21		• SHAFT, THROUGHOUT	1	1		△
44-22		• ARM, CLUTCH B	1	1		△
44-23	1872823	• YOKE	1	1	1415-122-0040-0	
44-24	1862477	PIN, TAPER	1	1	1404-101-0010-0	
44-25		WIRE/1.2 × 200	1	1		
44-26	1872824	ROD, CLUTCH B	1	1	1424-122-2100-0	
44-27	1872825	PIN	2	2	3737-235-0080-0	
44-28	1860414	WASHER/M8	2	2	V413-160-0080-0	
44-29	1860501	PIN, SPLIT/2 × 15	2	2	V500-152-0015-0	
44-30	1872820	O-RING	1	1	1415-122-0010-0	
44-31	1862477	PIN, TAPER	1	1	1404-101-0010-0	
44-32		WIRE/1.2 × 200	1	1		
44-33	1862672	NIPPLE, GREASE	1	1	V767-400-0000-0	
44-34	1872821	ARM, CUT OFF	1	1	1424-122-0011-0	
44-35	1860216	BOLT/M8 × 20	1	1	V201-260-8020-0	
44-36	1860304	NUT/M8	1	1	V300-260-0080-0	
44-37	1862781	SPRING, TENSION/53	1	1	1414-312-0020-0	

Fig.45 CLUTCH PEDAL (4WD CREEP TYPE)

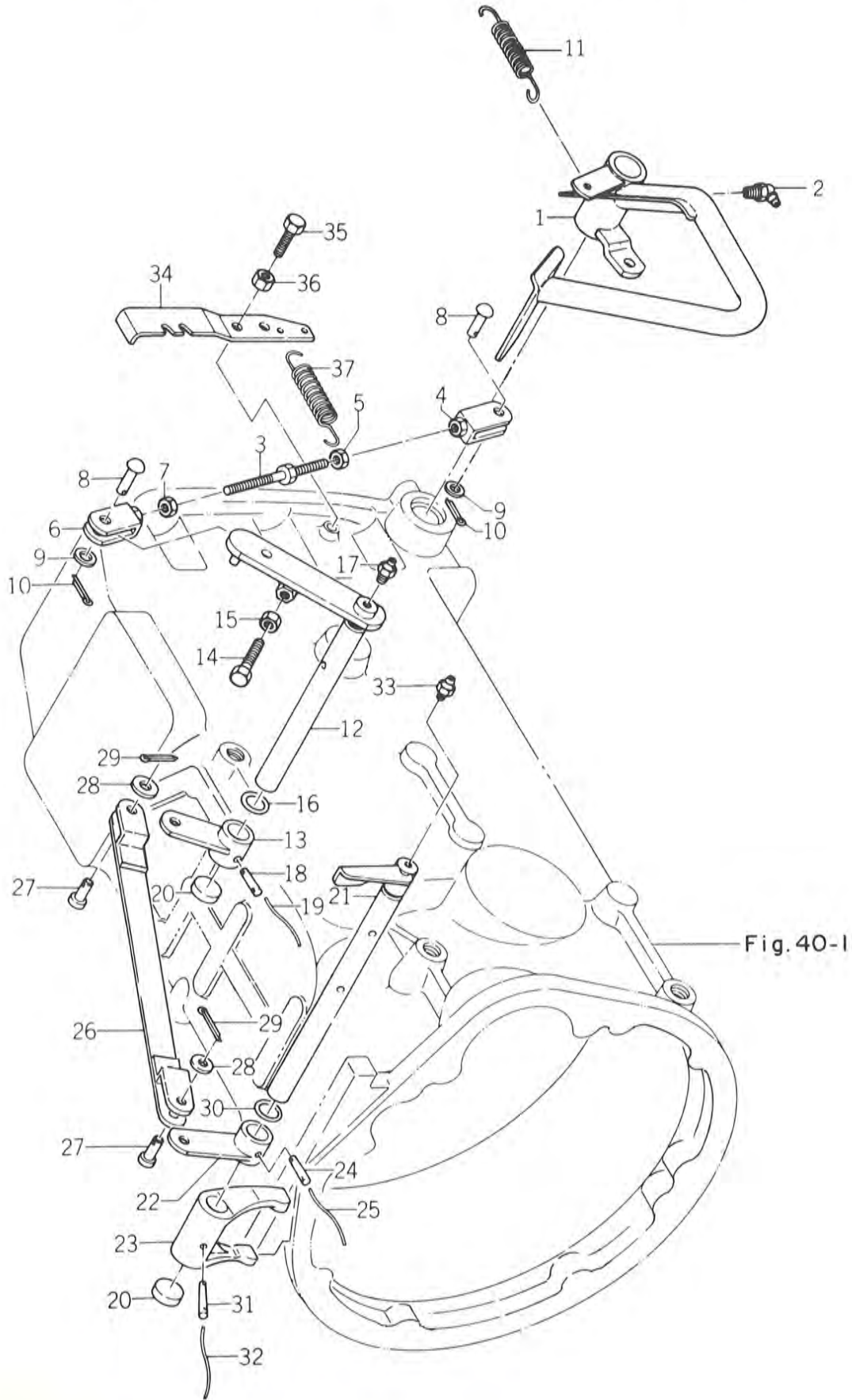
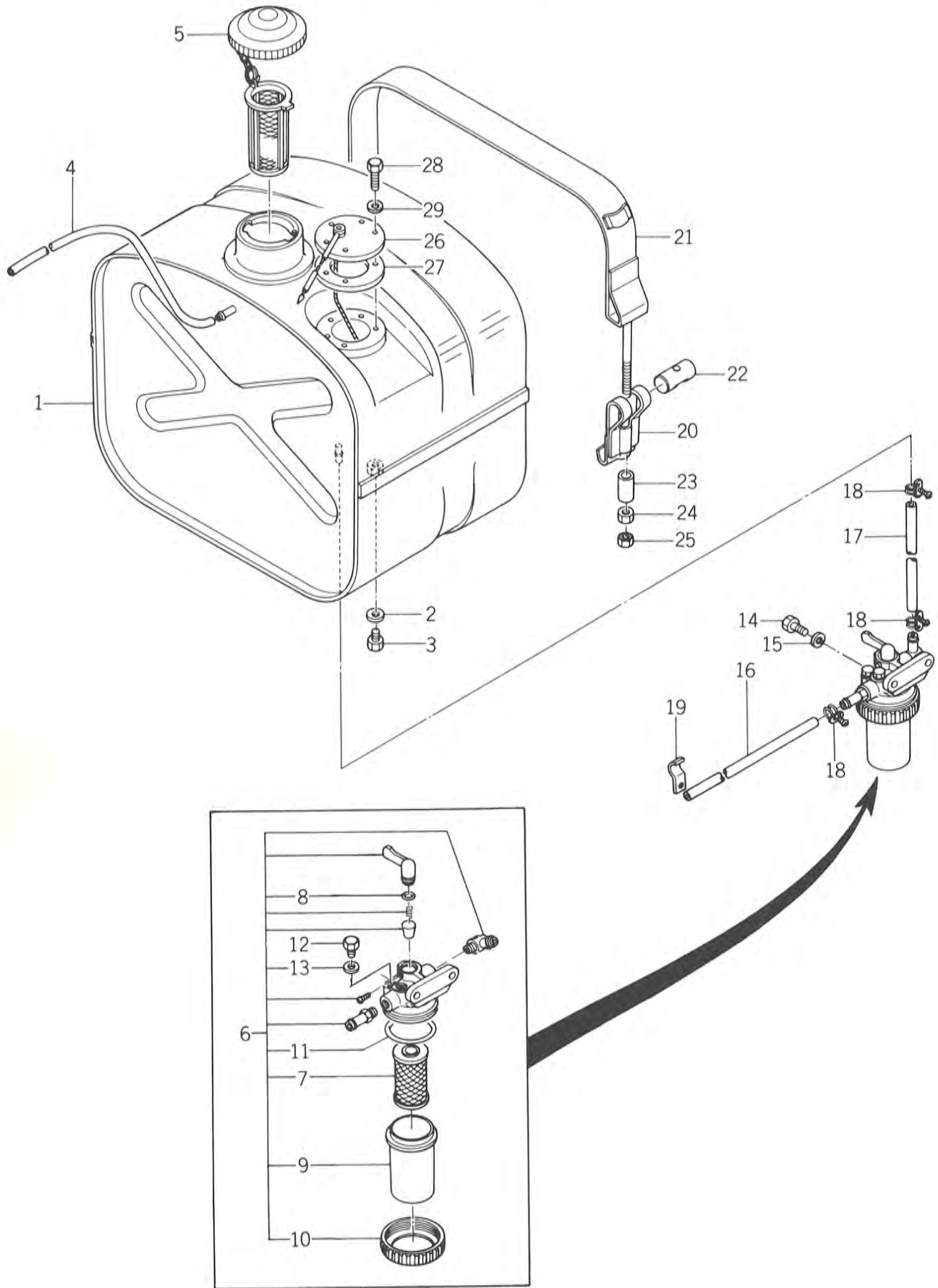


Fig.40-1

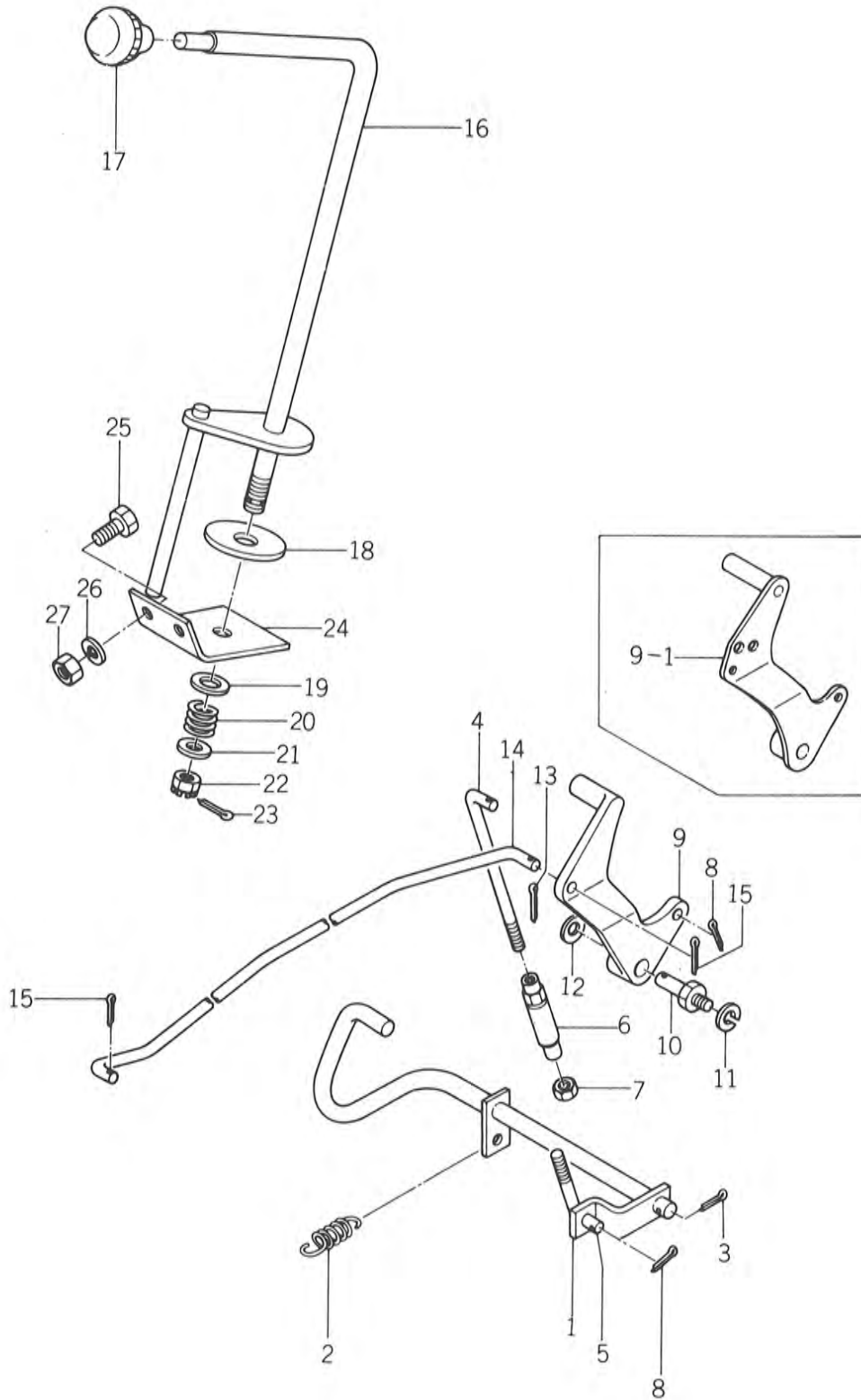
Ref.No.		Description	Q'ty		ISEKI Parts No.	Remarks
			2WD	4WD		
45- 1	1872816	PEDAL, CLUTCH		1	1426-128-2000-0	
45- 2	1860737	NIPPLE, GREASE		1	V763-400-0000-0	
45- 3	1872817	ROD, CLUTCH		1	1424-122-2000-0	
45- 4	1871452	YOKE, LH THREAD		1	1415-312-5000-0	
45- 5	1871401	NUT, LH THREAD/M8		1	1401-122-0050-0	
45- 6	1871453	YOKE, RH THREAD		1	1415-312-6000-0	
45- 7	1860310	NUT/M8		1	V302-260-0080-0	
45- 8	1871419	PIN, YOKE A		2	1404-312-0060-0	
45- 9	1860414	WASHER/M8		2	V413-160-0080-0	
45-10	1860501	PIN, SPLIT/2 × 15		2	V500-152-0015-0	
45-11	1871412	SPRING, PARKING BRAKE		1	1403-312-0030-0	
45- 0-1	1872829	CLUTCH SHAFT & ARM SET		1	1426-012-3000-0	
45-12		• SHAFT, CLUTCH		1		△
45-13		• ARM, CLUTCH A		1		△
45-14	1872819	BOLT/M8 × 40 S=40		1	W201-260-8040-0	
45-15	1860310	NUT/M8		1	V302-260-0080-0	
45-16	1872820	O-RING		1	1415-122-0010-0	
45-17	1862672	NIPPLE, GREASE		1	V767-400-0000-0	
45-18	1862875	PIN, SPRING (W)/8 × 28		1	V580-140-8028-0	
45-19		WIRE/1.2 × 200		1		
45-20	1862478	CAP, SEAL		2	1415-122-0020-0	
45- 0-2	1872831	SHAFT, THROUGHOUT SET		1	1426-012-3100-0	
45-21		• SHAFT, THROUGHOUT		1		△
45-22		• ARM, CLUTCH B		1		△
45-23	1872823	• YOKE		1	1415-122-0040-0	
45-24	1862477	PIN, TAPER		1	1404-101-0010-0	
45-25		WIRE/1.2 × 200		1		
45-26	1872833	STAY, CLUTCH		1	1426-128-2400-0	
45-27	1872825	PIN		2	3737-235-0080-0	
45-28	1860414	WASHER/M8		2	V413-160-0080-0	
45-29	1860501	PIN, SPLIT/2 × 15		2	V500-152-0015-0	
45-30	1872850	O-RING		1	1415-122-0010-0	
45-31	1862477	PIN, TAPER		1	1404-101-0010-0	
45-32		WIRE/1.2 × 200		1		
45-33	1862672	NIPPLE, GREASE		1	V767-400-0000-0	
45-34	1872821	ARM, CUT OFF		1	1424-122-0011-0	
45-35	1860216	BOLT/M8 × 20		1	V201-260-8020-0	
45-36	1860304	NUT/M8		1	V300-260-0080-0	
45-37	1862781	SPRING, TENSION/53		1	1414-312-0020-0	

Fig.46 FUEL TANK



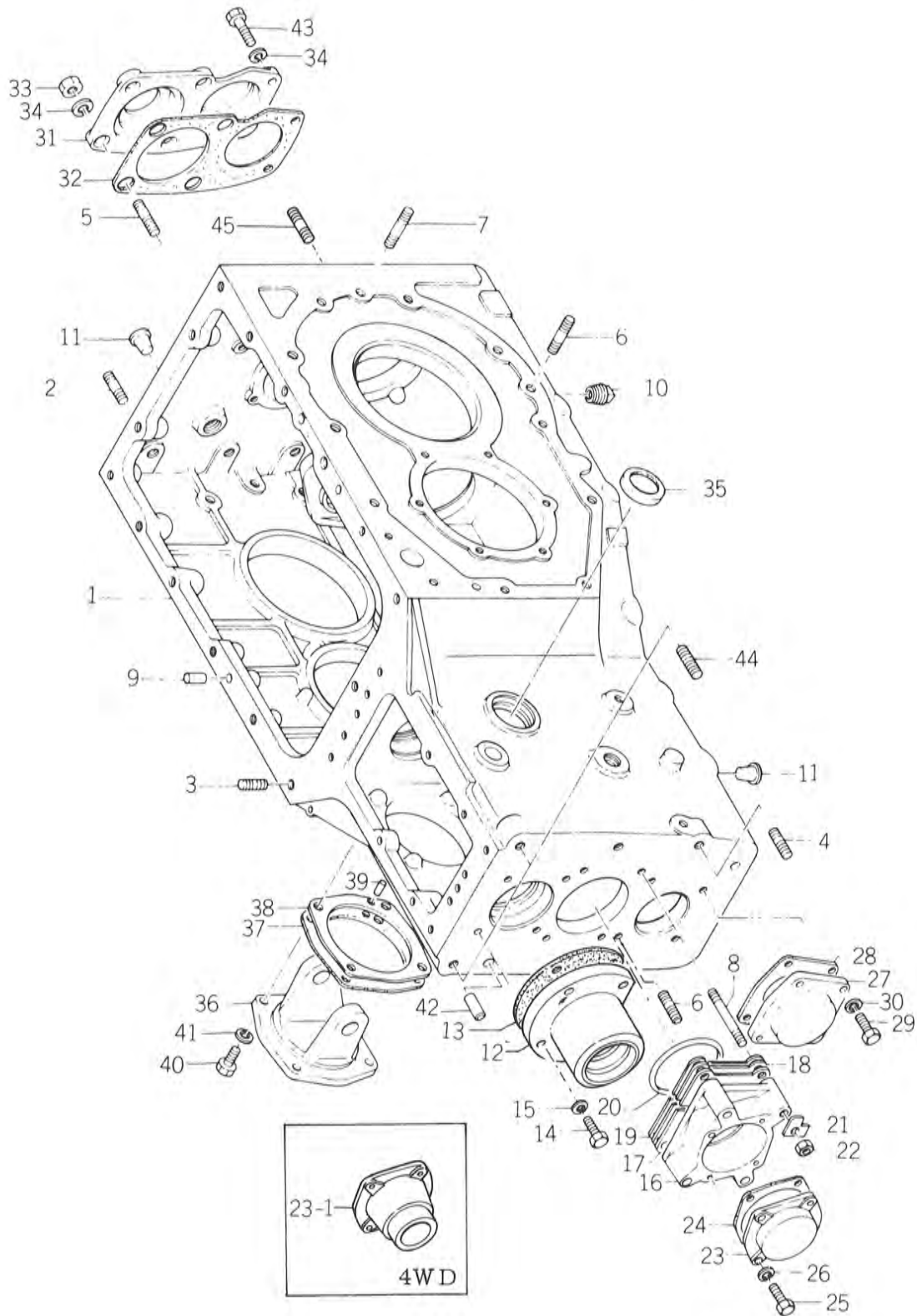
Ref.No.		Description	Q'ty		ISEKI Parts No.	Remarks
			2WD	4WD		
46- 1	1872835	TANK, FUEL	1	1	1424-111-3000-0	
46- 2	1871424	WASHER/8 × 12 × 2	1	1	1407-111-0010-0	
46- 3	1860208	BOLT/M8 × 12	1	1	V200-260-8012-0	
46- 4		PIPE, FUEL	1	1	1425-102-0010-0	FILTER-TANK
46- 5	1862689	CAP ASSY	1	1	1421-111-2100-0	
46- 6	1872836	FILTER, FUEL ASSY	1	1	1417-100-0051-0	
46- 7	1872837	• ELEMENT	1	1	1417-102-0090-0	
46- 8	1860918	• O-RING	1	1	V72010-240100	
46- 9	1862500	• CUP	1	1	1415-102-0090-0	
46-10	1862501	• NUT, RING	1	1	1415-102-0100-0	
46-11	1862691	• O-RING	1	1	V72010-350440	
46-12	1862506	• PLUG	2	2	1415-102-0120-0	
46-13	1862507	• PACKING	2	2	1415-102-0130-0	
46-14	1860216	BOLT/M8 × 20	2	2	V201-260-8020-0	
46-15	1860403	WASHER, SP/M8	2	2	V401-160-0080-0	
46-16	1872839	PIPE, FUEL A	1	1	1424-102-0020-0	FILTER ~ PUMP
46-17	1872840	PIPE, FUEL B	1	1	1424-102-0030-0	TANK ~ FILTER
46-18	1862558	BAND, HOSE	6	6	1417-102-0050-0	
46-19	1872841	CLAMP, HARNESS B	1	1	1404-621-0270-0	
46-20	1862514	BAND, TANK A	1	1	1415-111-2000-0	
46-21	1872842	BAND, TANK	1	1	1417-111-2000-0	
46-22	1862620	STOPPER, BAND	1	1	1415-111-0010-0	
46-23	1862621	COLLAR/9 × 14 × 30	1	1	1415-111-0020-0	
46-24	1860304	NUT/M8	1	1	V300-260-0080-0	
46-25	1860310	NUT/M8	1	1	V302-260-0080-0	
46-26	1872843	SWITCH, FUEL ASSY	1	1	1416-600-0550-0	
46-27	1872844	• PACKING/RUBBER	1	1	1416-621-0370-0	
46-28	1872845	BOLT/M5 × 10 P=0.8	5	5	V200-260-5010-0	
46-29	1872846	WASHER, SEAL/M5	5	5	1416-621-0270-0	

Fig.47 THROTTLE SYSTEM



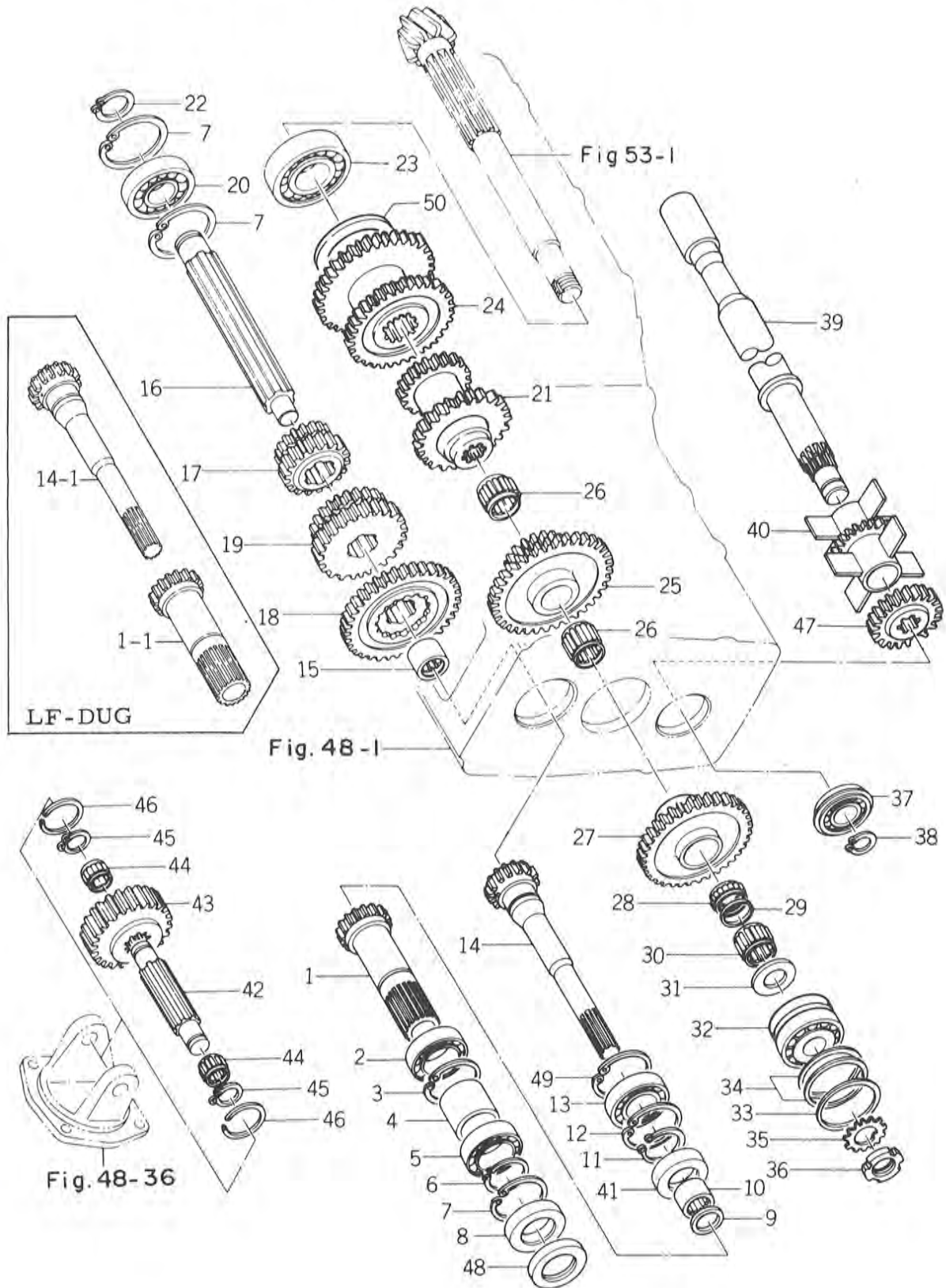
Ref.No.		Description	Q'ty		ISEKI Parts No.	Remarks
			2WD	4WD		
47- 1	1872847	PEDAL, ACCEL	1	1	1424-116-1000-0	
47- 2	1862628	SPRING, TENSION /65	1	1	1416-120-0060-0	
47- 3	1860503	PIN, SPLIT/2.5 × 18	1	1	V500-152-5018-0	
47- 4	1862628	CONNECTOR, ACCEL A	1	1	1415-116-0071-0	
47- 5	1871466	CONNECTOR, ACCEL	1	1	1421-116-0010-0	
47- 6	1871467	TURNBUCKLE/M6	1	1	1421-116-0020-0	
47- 7	1860303	NUT/M6	1	1	V300-260-0060-0	
47- 8	1860502	PIN, SPLIT/2 × 18	2	2	V500-152-0018-0	
47- 9	1862630	ARM, ACCEL	1	1	1421-116-0030-0	} Interchangeable
47- 9-1	1862692	ARM, ACCEL	1	1	1421-116-2000-0	
47-10	1862631	PIN, ARM	1	1	1416-116-0040-0	
47-11	1860403	WASHER, SP/M8	1	1	V401-260-0080-0	
47-12	1860415	WASHER/M10	1	1	V413-160-0100-0	
47-13	1860502	PIN, SPLIT/2 × 18	1	1	V500-152-0018-0	
47-14	1872848	ROD, ACCEL	1	1	1425-116-0010-0	
47-15	1860502	PIN, SPLIT/2 × 18	2	2	V500-152-0018-0	
47-16	1872849	LEVER, THROTTLE	1	1	1424-117-1000-0	
47-17	1871440	KNOB, LEVER/30	1	1	1414-117-0040-0	
47-18	1871441	LINING/13 × 50 × 3	1	1	1414-117-0050-0	
47-19	1871425	WASHER/13 × 32 × 1	1	1	1407-117-0070-0	
47-20	1862634	SPRING, PRESS/22	1	1	1404-117-0080-0	
47-21	1860416	WASHER/M12	1	1	V413-160-0120-0	
47-22	1862693	NUT, SLOTTED/M12	1	1	V320-160-0120-0	
47-23	1860507	PIN, SPLIT/3 × 25	1	1	V500-153-0025-0	
47-24	1872850	HOLDER, THROTTLE	1	1	1423-117-0010-0	
47-25	1860214	BOLT/M8 × 16	2	2	V201-260-8016-0	
47-26	1860403	WASHER, SP/M8	2	2	V401-160-0080-0	
47-27	1860304	NUT/M8	2	2	V300-260-0080-0	

Fig.48 TRANSMISSION CASE



Ref.No.		Description	Q'ty		ISEKI Parts No.	Remarks
			2WD	4WD		
48- 1	1872851	CASE, T-MISSION	1	1	1431-254-0011-0	
48- 2	1872852	STUD/M14×40 9T	4	4	V251-441-4040-0	
48- 3	1872853	STUD/M10×28 9T	5	5	V251-441-0028-0	
48- 4	1872561	STUD/M12×32 9T	3	3	V251-441-2032-0	
48- 5	1872855	STUD/M8×25	4	4	V251-260-8025-0	
48- 6	1872856	STUD/M12×40 9T	7	7	V251-441-2040-0	
48- 7	1872857	STUD/M10×35 9T	10	10	V251-441-0035-0	
48- 8	1872858	STUD/M8×25 9T	4	4	V251-440-8025-0	
48- 9	1862703	PIN, A/10×28	2	2	V520-101-0028-0	
48-10	1862615	PLUG	2	2	V781-100-0006-0	
48-11	1871691	CAP, BLANK/M14	8	8	1427-317-0040-0	
48-12	1872859	METAL, INPUT GEAR	1	1	1424-201-0020-0	
48-13	1872860	PACKING, INPUT GEAR	1	1	1415-201-0030-0	
48-14	1860217	BOLT/M8×25	4	4	V201-260-8025-0	
48-15	1860403	WASHER, SP/M8	4	4	V401-160-0080-0	
48-16	1872861	METAL, DRIVE PINION	1	1	1417-201-0020-0	
48-17	1872862	SHIM, A/0.198	AR	AR	1415-201-0050-0	
48-18	1872863	SHIM, B/0.1	AR	AR	1415-201-0060-0	
48-19	1872864	SHIM, C/0.05	AR	AR	1415-201-0070-0	
48-20	1872865	O-RING	1	1	1403-201-0060-0	
48-21	1860403	WASHER, SP/M8	4	4	V401-160-0080-0	
48-22	1860255	NUT/M8 7T	4	4	V303-460-0080-0	
48-23	1872866	COVER, PINION METAL	1		1415-201-0080-0	For DG, DUG
48-23-1	1872867	COVER, PINION METAL		1	1425-231-0010-0	For F-DUG, LF-DUG
48-24	1872868	PACKING, METAL COVER	1	1	1415-201-0090-0	
48-25	1872869	BOLT/M6×16	4	4	V200-460-6016-0	
48-26	1860402	WASHER, SP/M6	4	4	V401-160-0060-0	
48-27	1872870	METAL, DRIVE SHAFT	1	1	1424-201-0010-0	
48-28	1872871	PACKING, METAL	1	1	1417-201-0050-0	
48-29	1860204	BOLT/M6×20	4	4	V200-260-6020-0	
48-30	1860402	WASHER, SP/M6	4	4	V401-160-0060-0	
48-31	1872872	METAL, PTO SHAFT	1	1	1417-201-0080-2	
48-32	1872873	PACKING	1	1	1415-201-0190-0	
48-33	1862375	NUT/M8	4	4	V303-260-0080-0	
48-34	1860403	WASHER, SP/M8	6	6	V401-160-0080-0	
48-35	1872874	SEAL/42	1	1	1411-716-0040-0	
48-36	1872875	METAL, BACK GEAR	1	1	1426-207-0011-0	
48-37	1872876	PACKING, BACK METAL A	1	1	1415-207-0061-0	
48-38	1872877	PACKING, BACK METAL B	2	2	1415-207-0071-0	
48-39	1872878	PIN, TAPER/4×16	1	1	V510-100-4016-0	
48-40	1860216	BOLT/M8×20	4	4	V201-260-8020-0	
48-41	1860403	WASHER, SP/M8	4	4	V401-160-0080-0	
48-42	1862551	PIN, A/10×22	2	2	V520-101-0022-0	
48-43	1860217	BOLT/M8×25	2	2	V201-260-8025-0	
48-44	1872879	STUD/M14×35 9T	2	2	V251-441-4035-0	
48-45	1872880	STUD/M14×28	2	2	V251-441-4028-0	

Fig.49 TRANSMISSION GEAR



Ref.No.		Description	Q'ty		ISEKI Parts No.	Remarks
			2WD	4WD		
49- 1	1872881	GEAR, INPUT/16T	1	1	1417-203-0011-0	For DG, DUG, F-DUG
49- 1-1	1872882	GEAR, INPUT/16T		1	1417-223-0011-0	For LF-DUG
49- 2	1872883	BEARING, NR/NA49047	1	1	1415-203-0020-0	
49- 3	1872884	RING, SNAP/C 55	1	1	V705-140-0550-0	
49- 4	1872885	COLLAR/36 × 43 × 27	1	1	1415-203-0030-0	
49- 5	1862854	BEARING, RB/6007	1	1	V600-110-6007-0	
49- 6	1860709	RING, SNAP/C 35	1	1	V704-140-0350-0	
49- 7	1860714	RING, SNAP/C 62	3	3	V705-140-0620-0	
49- 8	1862856	SEAL, OIL/TC356120	1	1	V744-135-6210-0	
49- 9	1873122	SEAL, OIL/VC22287	1	1	1415-203-0040-0	
49-10	1872886	BEARING, NR/TLA2220	1	1	V653-422-2820-0	
49-11	1860707	RING, SNAP/C 30	1	1	V704-140-0300-0	
49-12	1860714	RING, SNAP/C 62	1	1	V705-140-0620-0	
49-13	1872887	BEARING, RB/6206	1	1	1426-204-0050-0	
49-14	1872888	GEAR, INPUT/15T	1	1	1417-203-0020-0	For DG, DUG, F-DUG
49-14-1	1872889	GEAR, INPUT/15T		1	1417-223-0020-0	For LF-DUG
49-15	1872890	BEARING, NR/BM2220	1	1	1426-204-0080-0	
49-16	1872891	SHAFT, SHIFT	1	1	1426-204-0040-0	
49-17	1872892	GEAR, SHIFT/19-15T	1	1	1426-204-0011-0	
49-18	1872893	GEAR, SHIFT/35T	1	1	1426-204-0031-0	
49-19	1872894	GEAR, SHIFT/29-24T	1	1	1426-204-0022-0	
49-20	1862638	BEARING, RB/6305	1	1	V600-110-6305-0	
49-21	1872895	GEAR, COUNTER/23-27T	1	1	1426-261-0030-0	
49-22	1860706	RING, SNAP/C 25	1	1	V704-140-0250-0	
49-23	1872896	BEARING, CR/NH2207R	1	1	1424-205-0010-0	
49-24	1872897	GEAR, COUNTER/33-36T	1	1	1426-261-0020-0	
49-25	1872898	GEAR, COUNTER/37-17T	1	1	1426-205-0060-0	
49-26	1872899	BEARING, NR/KT283327	2	2	1415-205-0080-0	
49-27	1872900	GEAR, PTO COUNTER/36T	1	1	1426-261-0040-0	
49-28	1872901	BEARING, NR/KT283313	1	1	1415-205-0110-0	
49-29	1872902	COLLAR/28 × 33 × 5	1	1	1415-205-0120-0	
49-30	1872899	BEARING, NR/KT283327	1	1	1415-205-0080-0	
49-31	1872904	COLLAR/25 × 42 × 4	1	1	1415-205-0130-0	
49-32	1872905	BEARING, TR/32305	1	1	1426-261-0050-0	
49-33	1872906	SHIM, A/0.05	AR	AR	1415-205-0150-0	
49-34	1872658	SHIM, B/0.10	AR	AR	1415-205-0160-0	
49-35	1872908	WASHER, ADAPTER/AW05	1	1	V671-400-0050-0	
49-36	1872909	NUT, ADAPTER/AN05	1	1	V670-200-0050-0	
49-37	1872910	BEARING, RB/6305NR	1	1	V607-110-6305-0	
49-38	1860706	RING, SNAP/C 25	1	1	V704-140-0250-0	
49-39	1872911	SHAFT, PTO DRIVE	1	1	1424-212-1000-0	
49-40	1872912	RING, OIL	1	1	1417-212-2000-0	
49-41	1872913	SEAL, OIL/VC30652	1	1	V742-130-6205-0	
49-42	1872914	PIN, BACK GEAR	1	1	1415-207-0043-0	
49-43	1872915	GEAR, BACK/25T	1	1	1426-207-0021-0	

1426-203, 207, 223, 261
1431-258, 266, 280

Ref.No.		Description	Q'ty		ISEKI Parts No.	Remarks
			2WD	4WD		
49-44	1872916	BEARING, NR/NAG4901	2	2	1415-207-0090-0	
49-45	1860701	RING, SNAP/C 12	2	2	V704-140-0120-0	
49-46	1872917	RING, SNAP/24	2	2	1412-204-0030-0	
49-47	1872918	GEAR, PTO DRIVE/21T	1	1	1417-211-0010-0	
49-48	1872919	SEAL, OIL/SC45629	1	1	V740-145-6209-0	
49-49	1872920	RING, SNAP/C 62	1	1	V708-140-0620-0	
49-50	1872921	SHIM, COUNTER GEAR	AR	AR	1424-952-0040-0	

Fig.50 POWER TAKE OFF

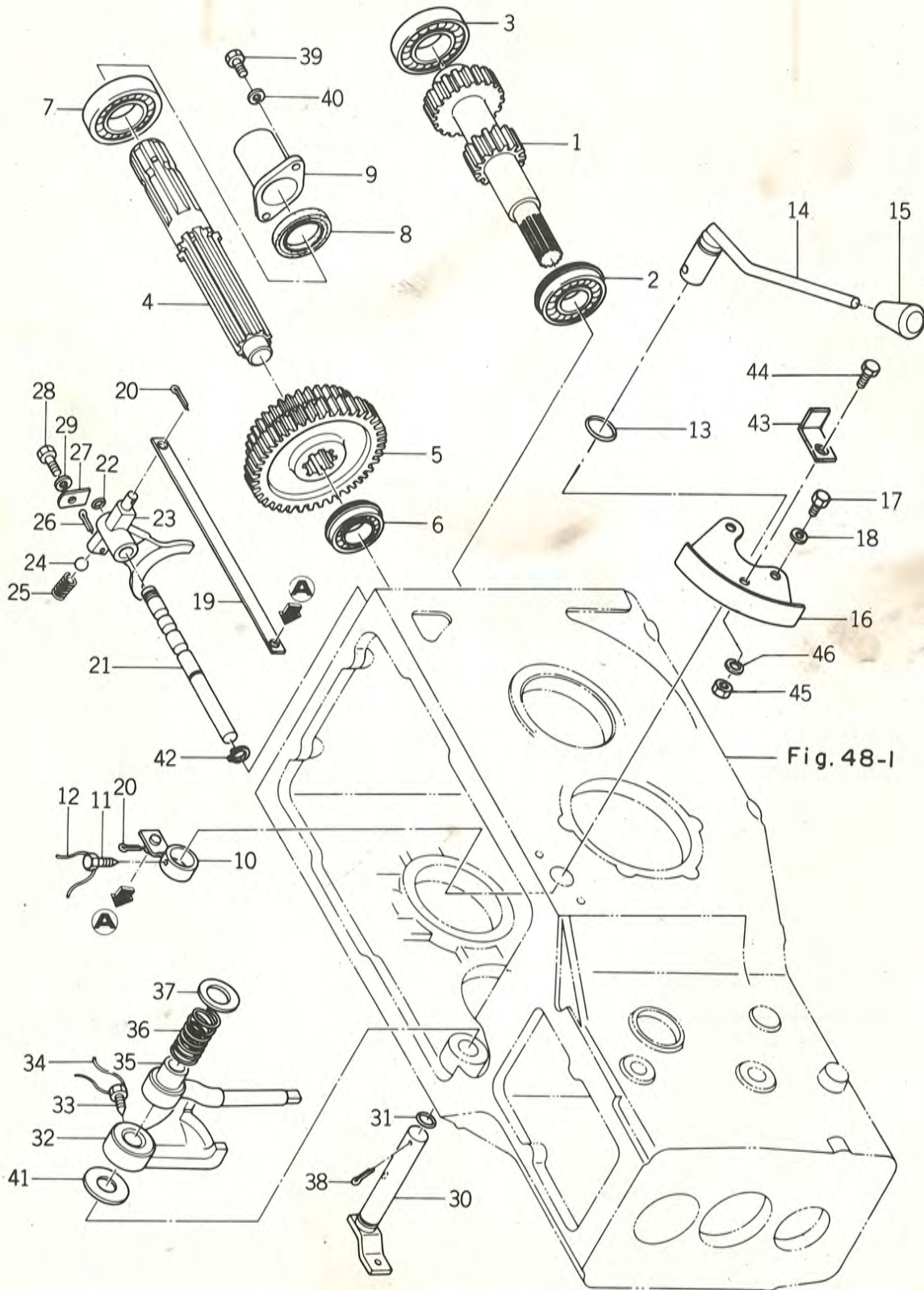
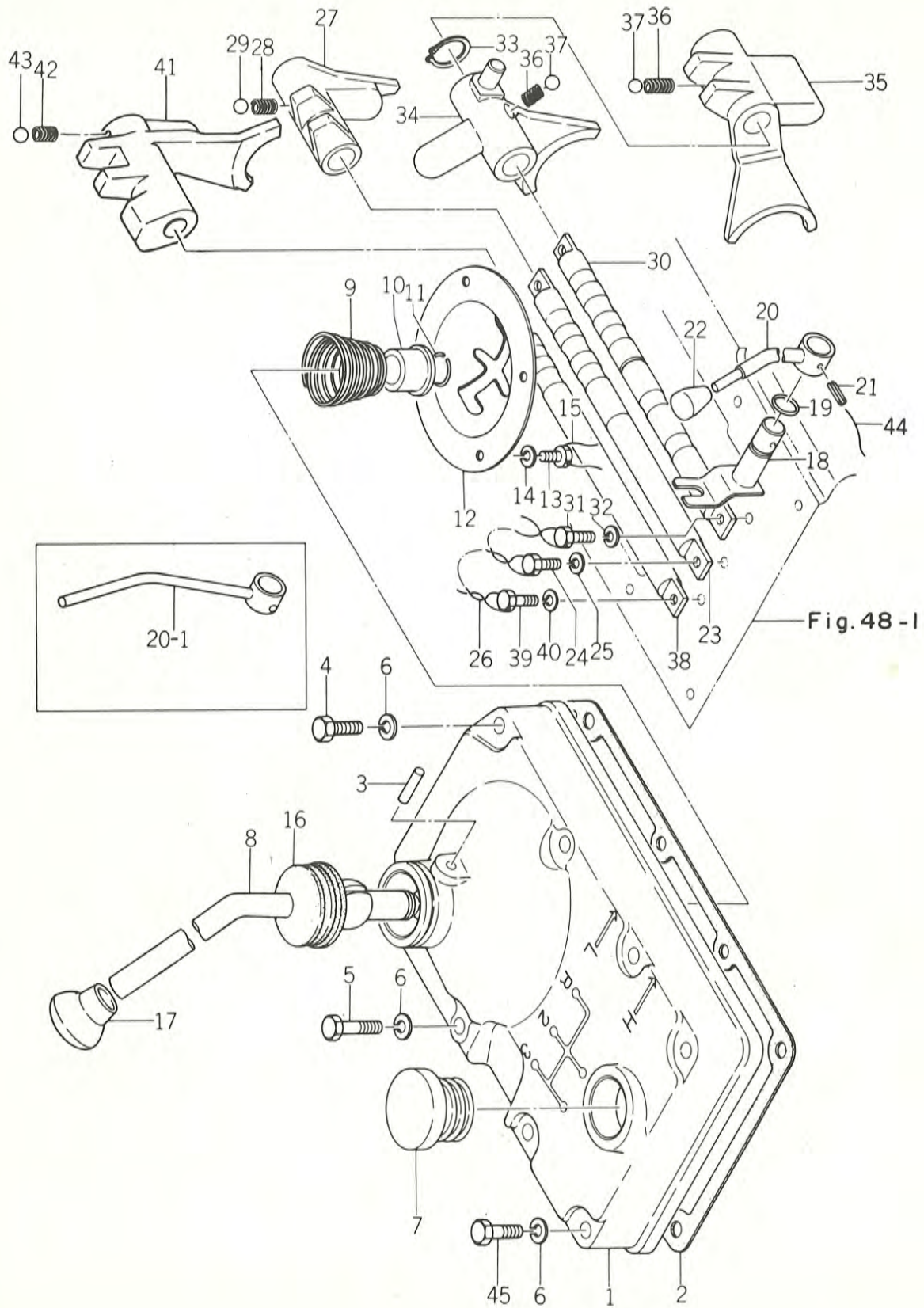


Fig. 48-I

Ref.No.		Description	Q'ty		ISEKI Parts No.	Remarks
			2WD	4WD		
50- 1	1872922	GEAR, PT0 COUNTER/14-21 T	1	1	1431-280-0010-0	
50- 2	1872910	BEARING, RB/6305NR	1	1	V607-110-6305-0	
50- 3	1860609	BEARING, RB/6207	1	1	V600-110-6207-0	
50- 4	1872924	SHAFT, PT0	1	1	1415-213-0010-0	
50- 5	1872925	GEAR, PT0 COUNTER/36-43 T	1	1	1431-283-0010-0	
50- 6	1872926	BEARING, RB/6205NR	1	1	1426-213-0010-0	
50- 7	1860609	BEARING, RB/6207	1	1	V600-110-6207-0	
50- 8	1860734	SEAL, OIL/TC35558	1	1	V744-135-5508-0	
50- 9	1862848	CAP, PT0 SHAFT	1	1	1421-212-0040-0	
50-10	1872927	ARM, LOW SHIFT	1	1	1417-216-2000-0	
50-11	1862687	BOLT/M8 × 16	1	1	1415-216-0060-0	
50-12		WIRE/0.9 × 150	1	1		
50-13	1862857	O-RING/P21	1	1	V720-102-4021-0	
50-14	1862849	LEVER, PT0 SHIFT	1	1	1431-286-2000-0	
50-15	1874100	KNOB, LEVER	1	1	4106-105-3030-0	
50-16	1872928	GUIDE, PT0 SHIFT LEVER	1	1	1431-286-0021-0	
50-17	1860214	BOLT/M8 × 16	2	2	V201-260-8016-0	
50-18	1860403	WASHER, SP/M8	2	2	V401-160-0080-0	
50-19	1872929	BAR, PT0 LOW SHIFT	1	1	1417-216-0040-0	
50-20	1872930	PIN, SPLIT/2.5 × 18	2	2	V500-152-0180-0	
50-21	1872931	STAY, PT0 SHIFTER	1	1	1431-286-0010-0	
50-22	1862859	O-RING/P10	1	1	V720-101-9010-0	
50-23	1872932	SHIFTER, PT0 LOW	1	1	1424-216-0010-0	
50-24	1862858	BALL, STEEL	1	1	V680-100-0010-0	
50-25	1871301	SPRING, SHIFTER	1	1	1302-225-0030-0	
50-26	1860507	PIN, SPLIT/3 × 25	1	1	V500-153-0025-0	
50-27	1872798	STOPPER, SHIFTER STAY	1	1	1416-216-0040-0	
50-28	1860214	BOLT/M8 × 16	1	1	V201-260-8016-0	
50-29	1860403	WASHER, SP/M8	1	1	V401-160-0080-0	
50-30	1872934	SHAFT, DIFF-LOCK	1	1	1424-303-2000-0	
50-31	1862861	O-RING/P16	1	1	V720-102-4016-0	
50-32	1872935	CAM, DIFF-LOCK	1	1	1407-303-0020-0	
50-33	1872936	BOLT/M10 × 20	1	1	1407-303-0030-0	
50-34		WIRE/1.2 × 220	1	1		
50-35	1872937	SHIFTER, DIFF-LOCK	1	1	1407-303-0010-0	
50-36	1862699	SPRING, PRESS/40	1	1	1407-303-0040-0	
50-37	1860418	WASHER/M18	1	1	V413-160-0180-0	
50-38	1862863	PIN, SPLIT/4 × 30	1	1	V500-154-0030-0	
50-39	1860201	BOLT/M6 × 12	2	2	V200-260-6012-0	
50-40	1860402	WASHER, SP/M6	2	2	V401-160-0060-0	
50-41	1872938	WASHER/21 × 40 × 3	1	1	1424-303-0010-0	
50-42	1860701	RING, SNAP/C 12	1	1	V704-140-0120-0	
50-43	1872939	PLATE, LOCK	1	1	1425-287-0010-0	
50-44	1860214	BOLT/M8 × 16	1	1	V201-260-8016-0	
50-45	1860304	NUT/M8	1	1	V300-260-0080-0	
50-46	1860403	WASHER, SP/M8	1	1	V401-160-0080-0	

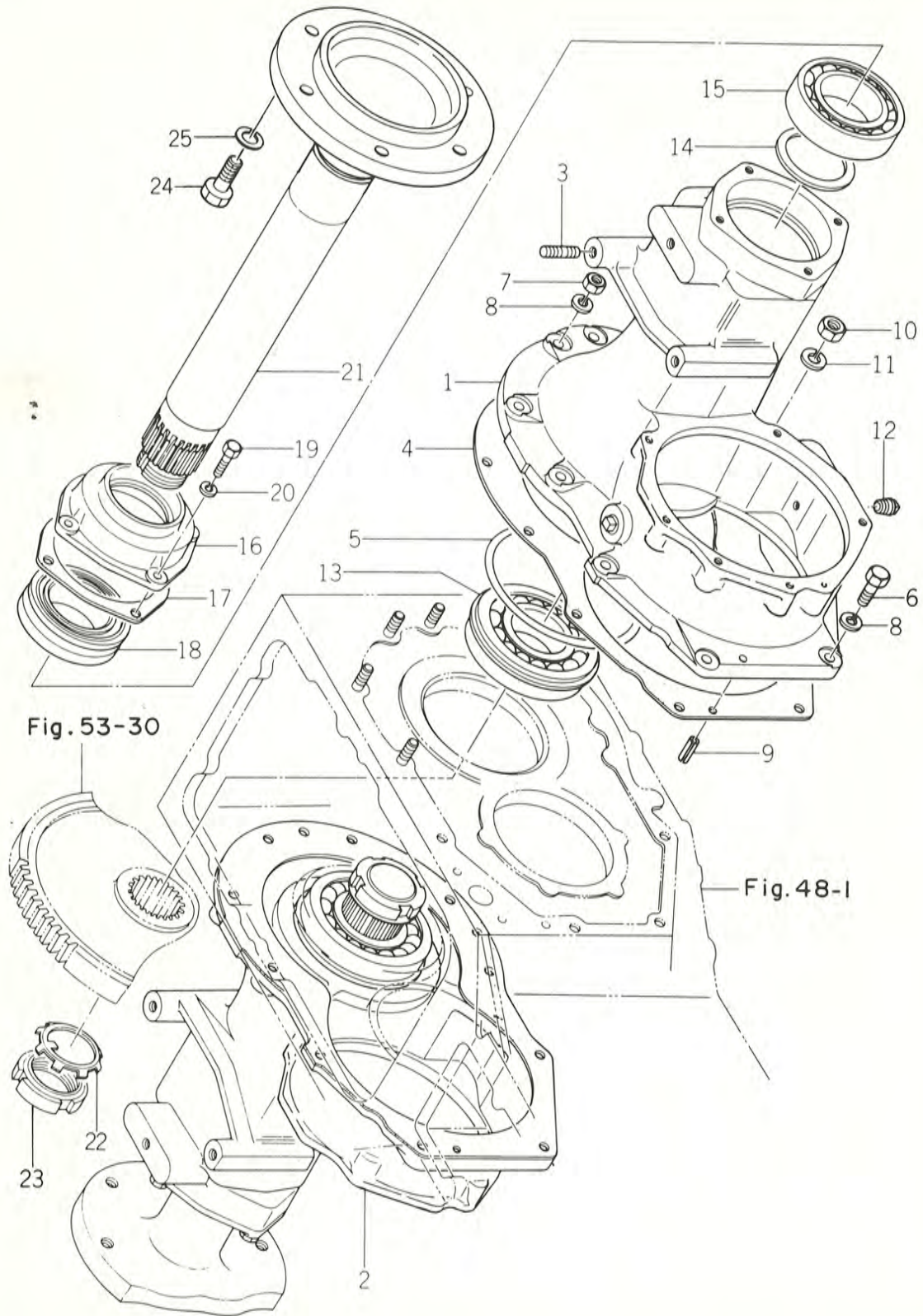
1424-303, 1425-287,
1431-256, 258, 280, 283

Fig.51 GEAR SHIFT



Ref.No.		Description	Q'ty		ISEKI Parts No.	Remarks
			2WD	4WD		
51- 1	1872940	COVER, SHIFT	1	1	1431-273-0010-0	
51- 2	1872941	PACKING, SHIFTER COVER	1	1	1415-208-0020-0	
51- 3	1872942	PIN, A/6 × 16	1	1	1421-207-0050-0	
51- 4	1862670	BOLT/M8 × 45	5	5	V201-260-8045-0	
51- 5	1860222	BOLT/M8 × 60	2	2	V201-260-8060-0	
51- 6	1860403	WASHER, SP/M8	8	8	V401-160-0080-0	
51- 7	1862712	CAP, OIL/30	1	1	7956-205-0160-0	
51- 8	1872943	LEVER, SHIFT	1	1	1426-208-0022-0	
51- 9	1862714	SPRING, CONICAL/63	1	1	1416-207-0040-0	
51-10	1872944	SEAT, SPRING	1	1	1407-207-0040-0	
51-11	1862711	RING, SNAP	1	1	1407-207-0050-0	
51-12	1872945	GUIDE, SHIFT LEVER	1	1	1426-208-0032-0	
51-13	1862718	BOLT/M6 × 12	4	4	1402-501-0170-0	
51-14	1860402	WASHER, SP/M6	4	4	V401-160-0060-0	
51-15		WIRE/0.9 × 350	1	1	V590-120-9350-0	
51-16	1871411	BOOT, SHIFT LEVER	1	1	1403-207-0010-0	
51-17	1872946	KNOB, LEVER/48-14	1	1	2132-211-0040-0	
51-18	1862720	ARM, SUB SHIFT	1	1	1415-209-1000-0	
51-19	1862661	O-RING/P12	1	1	V720-102-4012-0	
51-20	1872947	LEVER, SUB SHIFT	1		1421-208-1001-0	For DG
51-20-1	1872948	LEVER, SUB SHIFT	1	1	1426-214-2001-0	For DUG, F-DUG, LF-DUG
51-21	1860514	PIN, SPRING/W6 × 28	1	1	V580-140-6028-0	
51-22	1874100	GRIP, SHAFT	1	1	4106-105-3030-0	
51-23	1872949	STAY, LOW SHIFTER	1	1	1415-210-0030-0	
51-24	1872950	BOLT/M6 × 16 9T	2	2	1401-201-0160-0	
51-25	1860402	WASHER, SP/M6	2	2	V401-160-0060-0	
51-26		WIRE/0.9 × 400	2	2		
51-27	1872951	SHIFTER, LOW	1	1	1426-210-0060-0	
51-28	1862461	SPRING, SHIFTER	1	1	1415-210-0020-0	
51-29	1862869	BALL, STEEL	1	1	V680-100-0013-0	
51-30	1872952	STAY, THIRD SHIFTER	1	1	1426-210-0031-0	
51-31	1872950	BOLT/M6 × 16 9T	2	2	1401-201-0160-0	
51-32	1860402	WASHER, SP/M6	2	2	V401-160-0060-0	
51-33	1860703	RING, SNAP/C 15	1	1	V704-140-0150-0	
51-34	1872954	SHIFTER, SUB	1	1	1426-210-0022-0	
51-35	1872955	SHIFTER, THIRD	1	1	1426-210-0012-0	
51-36	1862461	SPRING, SHIFTER	2	2	1415-210-0020-0	
51-37	1862869	BALL, STEEL	2	2	V680-100-0013-0	
51-38	1872956	STAY, BACK SHIFTER	1	1	1426-210-0050-0	
51-39	1872950	BOLT/M6 × 16 9T	2	2	1401-201-0160-0	
51-40	1860402	WASHER, SP/M6	2	2	V401-160-0060-0	
51-41	1872958	SHIFTER, BACK	1	1	1426-210-0042-0	
51-42	1862461	SPRING, SHIFTER	1	1	1415-210-0020-0	
51-43	1862869	BALL, STEEL	1	1	V680-100-0013-0	
51-44		WIRE/0.9 × 90	1	1		
51-45	1862866	BOLT/M8 × 50	1	1	V201-260-8050-0	

Fig.52 REAR AXLE HOUSING



Ref.No.		Description	Q'ty		ISEKI Parts No.	Remarks
			2WD	4WD		
52- 1	1872959	HOUSING, R. AXLE LH	1	1	1417-306-0010-0	
52- 2	1872960	HOUSING, R. AXLE RH	1	1	1417-306-0020-0	
52- 3	1872961	STUD/M12 × 35	6	6	V251-261-2035-0	
52- 4	1872962	PACKING, R. AXLE HOUSING	2	2	1415-306-0070-0	
52- 5	1872963	O-RING	2	2	1417-306-0030-0	
52- 6	1860237	BOLT/M10 × 30 9T	8	8	V201-461-0030-0	
52- 7	1860308	NUT/M10 7T	10	10	V300-460-0100-0	
52- 8	1860404	WASHER, SP/M10	18	18	V401-160-0100-0	
52- 9	1872964	PIN, SPRING/8 × 25	2	2	V580-140-8025-0	
52-10	1860306	NUT/M12 7T	6	6	V300-460-0120-0	
52-11	1860927	WASHER, SP/M12	6	6	V401-260-0120-0	
52-12	1871309	PLUG, DRAIN	2	2	1326-706-0020-0	
52-13	1872965	BEARING, RB/6311NR	2	2	V607-110-6311-0	
52-14	1872966	COLLAR/55 × 70 × 4	2	2	1415-307-0020-0	
52-15	1872967	BEARING, RB/6212	2	2	V600-110-6212-0	
52-16	1872968	METAL, OIL SEAL	2	2	1415-306-0030-2	
52-17	1872969	PACKING, METAL	2	2	1415-306-0040-0	
52-18	1872970	SEAL/AQ3250E	2	2	1415-306-0060-0	
52-19	1860276	BOLT/M8 × 20	8	8	V201-260-8020-0	
52-20	1860403	WASHER, SP/M8	8	8	V401-160-0080-0	
52-21	1872971	SHAFT, WHEEL	2	2	1431-355-0010-0	
52-22	1872972	WASHER, ADAPTER/AW05	2	2	V671-400-0100-0	
52-23	1872973	NUT, ADAPTER/AN05	2	2	V670-200-0100-0	
52-24	1863048	BOLT/M16 × 30	12	12	V201-461-6030-0	
52-25	1860406	WASHER, SP/M16	12	12	V401-160-0160-0	

Fig.53 DIFFERENTIAL GEAR

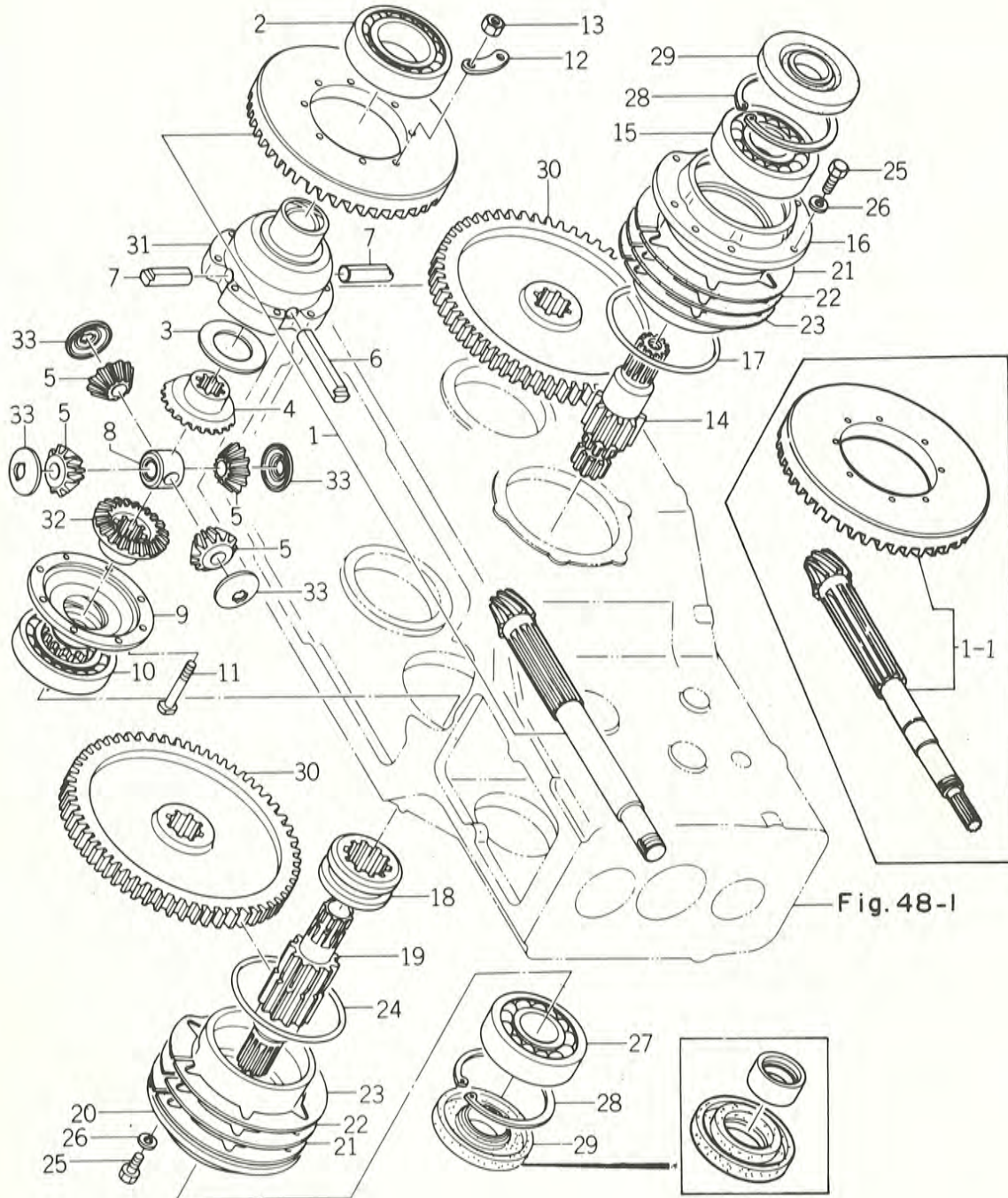
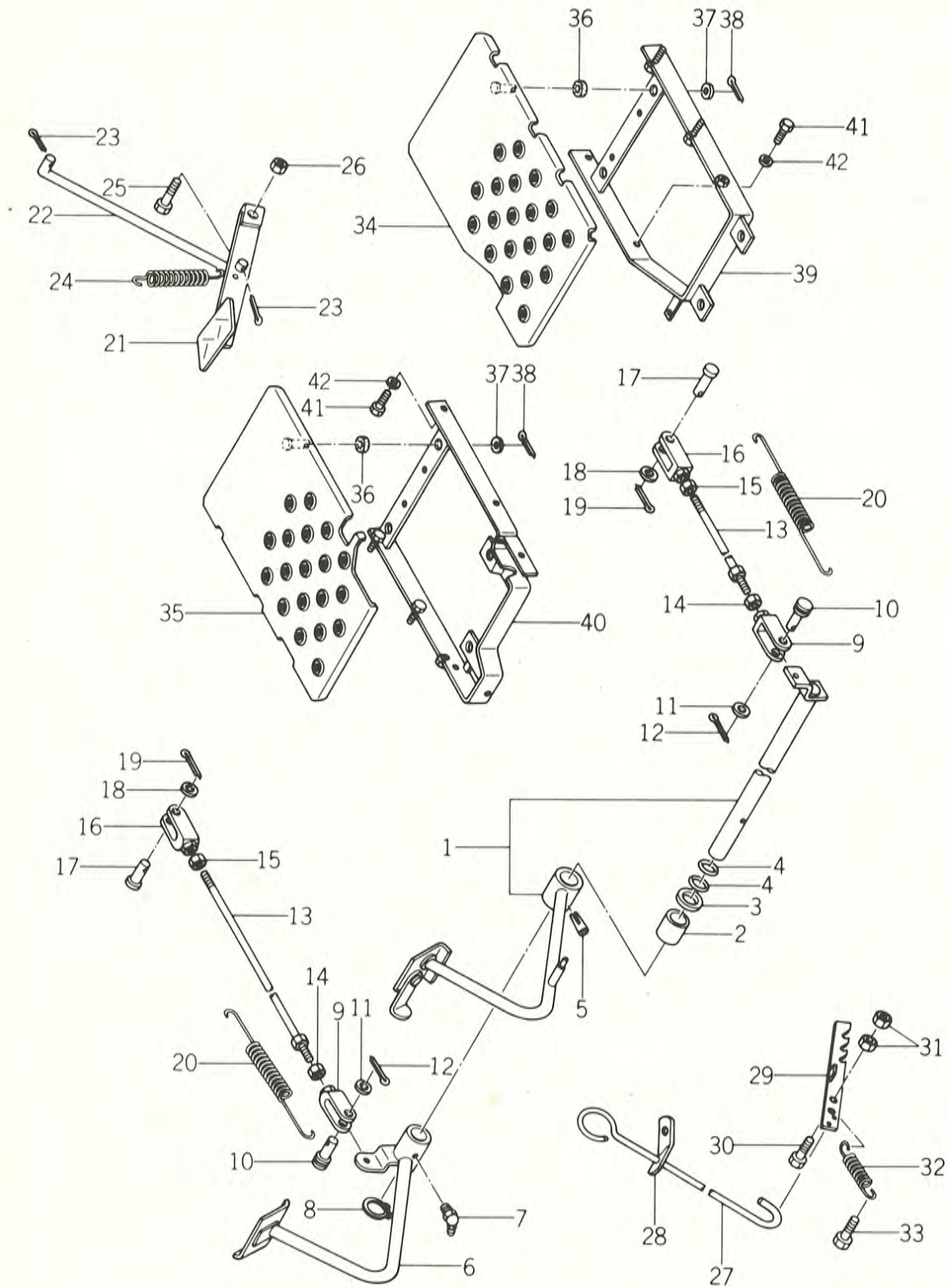


Fig. 48-1

Ref.No.		Description	Q'ty		ISEKI Parts No.	Remarks
			2WD	4WD		
53- 1	1872974	GEAR, DRIVE 8 SET	1		1426-020-2002-0	
53- 1-1	1872975	GEAR, DRIVE 8 SET		1	1431-009-2100-0	
53- 2	1872976	BEARING, RB/6211	1	1	V600-110-6211-0	
53- 3	1872977	COLLAR, THRUST/45 × 66 × 1	1	1	1431-301-0050-0	
53- 4	1872978	GEAR, DIFF-SIDE A/20T	1	1	1431-301-0060-0	
53- 5	1872979	PINION, DIFF/12T	4	4	1431-301-0090-0	
53- 6	1872980	SHAFT, DIFF-PINION A	1	1	1431-301-0020-0	
53- 7	1872981	SHAFT, DIFF-PINION B	2	2	1431-301-0030-0	
53- 8	1872982	HOLDER, PINION SHAFT	1	1	1431-301-0040-0	
53- 9	1872983	GEAR, DIFF-LOCK	1	1	1431-301-0110-0	
53-10	1872976	BEARING, RB/6211	1	1	V600-110-6211-0	
53-11	1872985	BOLT, DIFF	8	8	1404-301-0100-0	
53-12	1872986	WASHER, DIFF-BOLT	4	4	1404-301-0090-0	
53-13	1860255	NUT/M8 7T	8	8	V303-460-0080-0	
53-14	1872987	PINION, WHEEL LH/10T	1	1	1426-301-0050-0	
53-15	1872678	BEARING, RB/6309	1	1	V600-110-6309-0	
53-16	1872989	METAL, DIFF-CASE LH	1	1	1426-202-0010-0	
53-17	1872990	O-RING/G115	1	1	V721-103-1115-0	
53-18	1872991	CLUTCH, DIFF-LOCK	1	1	1426-301-0070-0	
53-19	1872992	PINION, WHEEL RH/10T	1	1	1426-301-0060-0	
53-20	1872993	METAL, DIFF-CASE RH	1	1	1426-202-0021-0	
53-21	1872994	SHIM, A/0.198	AR	AR	1415-201-0140-0	
53-22	1872995	SHIM, B/0.1	AR	AR	1415-201-0150-0	
53-23	1872996	SHIM, C/0.5	AR	AR	1415-201-0160-0	
53-24	1872990	O-RING/G115	1	1	V721-103-1115-0	
53-25	1860217	BOLT/M8 × 25	12	12	V201-260-8025-0	
53-26	1860403	WASHER, SP/M8	12	12	V401-160-0080-0	
53-27	1872678	BEARING, RB/6309	1	1	V600-110-6309-0	
53-28	1872999	RING, SNAP/C 100	2	2	V705-140-1000-0	
53-29	1873000	SEAL	2	2	1417-201-2000-0	
53-30	1873001	GEAR, WHEEL/50T	2	2	1417-307-0010-0	
53-31	1873002	CASE, DIFF LH	1	1	1431-301-0100-0	
53-32	1873003	GEAR, DIFF-SIDE B/20T	1	1	1431-301-0070-0	
53-33	1873004	COLLAR, PINION THRUST	4	4	1431-301-0080-0	

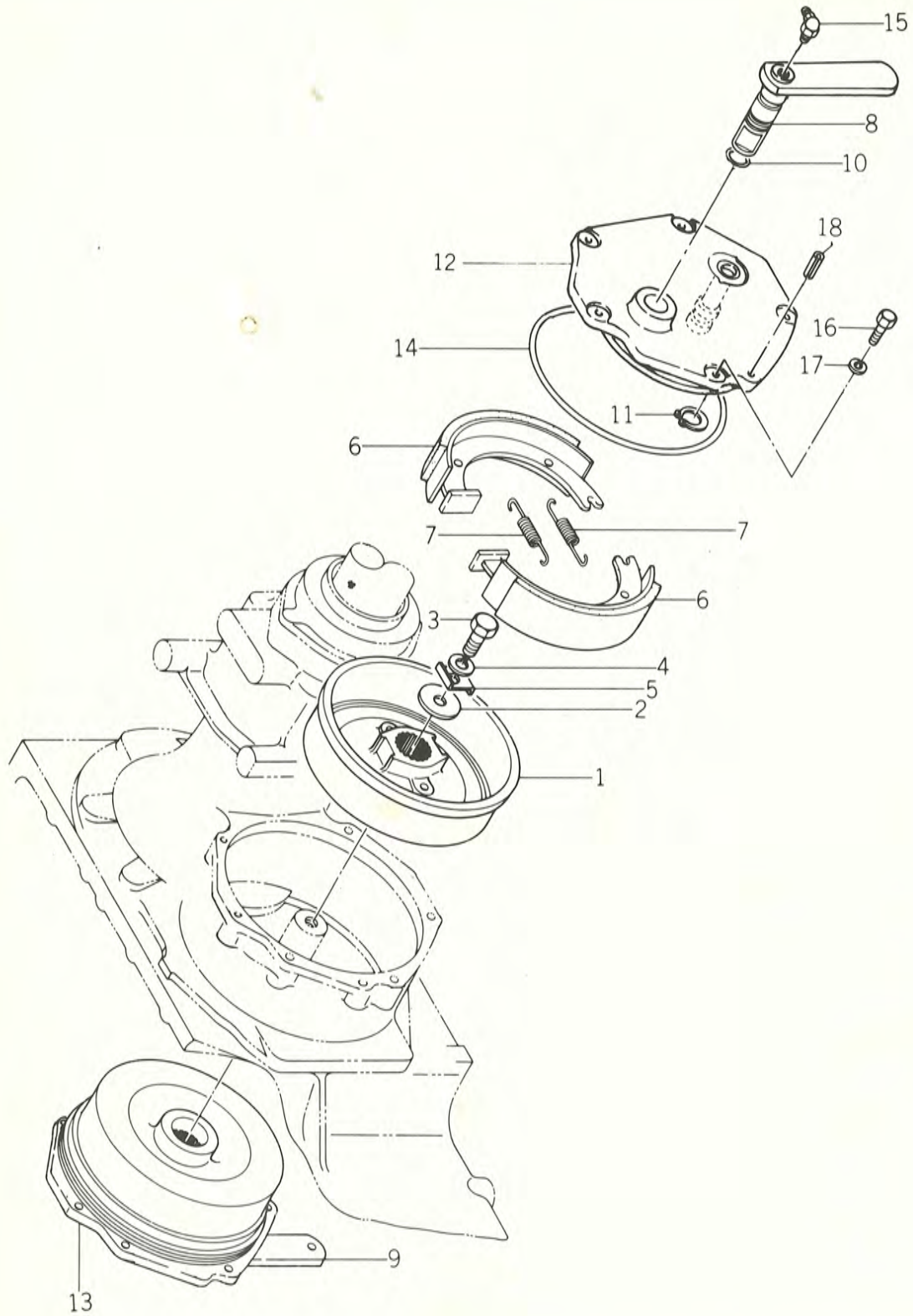
CR Industries 23485
Motion Industry
Part#
R02648
60 X100X10AW

Fig.54 STEP AND BRAKE SYSTEM



Ref.No.		Description	Qty		ISEKI Parts No.	Remarks
			2WD	4WD		
54- 1	1873005	PEDAL, BRAKE LH SET	1	1	1423-031-2000-0	
54- 2	1873006	COLLAR/28 × 34 × 15	1	1	1423-312-0010-0	
54- 3	1862777	WASHER/26 × 35 × 1	2	2	1421-312-0020-0	
54- 4	1860928	O-RING/P25	2	2	V720-103-5025-0	
54- 5	1873007	PIN, TAPER/8 × 50	1	1	V511-168-0050-0	
54- 6	1862778	PEDAL, BRAKE RH	1	1	1415-312-3000-0	
54- 7	1860737	NIPPLE, GREASE	1	1	V763-400-0000-0	
54- 8	1873008	RING, SNAP/C 25	1	1	V704-190-0250-0	
54- 9	1871453	YOKE, RH	2	2	1415-312-6000-0	
54-10	1871418	PIN, YOKE B	2	2	1404-312-0050-0	
54-11	1860414	WASHER/M8	2	2	V413-160-0080-0	
54-12	1860502	PIN, SPLIT/2 × 18	2	2	V500-152-0018-0	
54-13	1873009	ROD, BRAKE	2	2	1415-312-4001-0	
54-14	1860310	NUT/M8	2	2	V302-260-0080-0	
54-15	1871401	NUT, LH THREAD/M8	2	2	1401-122-0050-0	
54-16	1871452	YOKE, LH	2	2	1415-312-5000-0	
54-17	1871419	PIN, YOKE A	2	2	1404-312-0060-0	
54-18	1860414	WASHER/M8	2	2	V413-160-0080-0	
54-19	1860502	PIN, SPLIT/2 × 18	2	2	V500-152-0018-0	
54-20	1871412	SPRING, PARKING BRAKE	2	2	1403-312-0030-0	
54-21	1873010	PEDAL, DIFF-LOCK	1	1	1416-303-2000-0	
54-22	1873011	ROD, DIFF-LOCK	1	1	1415-303-0010-0	
54-23	1860502	PIN, SPLIT/2 × 18	2	2	V500-152-0018-0	
54-24	1871661	SPRING, TENSION/121	1	1	1427-301-0210-0	
54-25	1860232	BOLT/M12 × 35	1	1	V201-261-2035-0	
54-26	1860306	NUT/M12	1	1	V300-260-0120-0	
54-27	1873012	LEVER, PARKING	1	1	1415-312-0021-0	
54-28	1873013	HOLDER, LEVER	1	1	1415-312-0031-0	
54-29	1873014	STOPPER, PARKING	1	1	1424-312-2000-0	
54-30	1860217	BOLT/M8 × 25	1		V201-260-8025-0	For DG, DUG
54-30-1	1860216	BOLT/M8 × 20		1	V201-260-8020-0	For F-DUG, LF-DUG
54-31	1860304	NUT/M8	2	2	V300-260-0080-0	
54-32	1862781	SPRING, TENSION/53	1	1	1414-312-0020-0	
54-33	1860214	BOLT/M8 × 16	1	1	V201-260-8016-0	
54-34	1873015	STEP, LH	1	1	1426-616-2000-0	
54-35	1873016	STEP, RH	1	1	1426-616-2102-0	
54-36	1871448	CUSHION/RUBBER	8	8	1414-616-0010-0	
54-37	1860414	WASHER/M8	8	8	V413-160-0080-0	
54-38	1860501	PIN, SPLIT/2 × 15	8	8	V500-152-0015-0	
54-39	1873017	FRAME, STEP LH	1	1	1426-616-2200-0	
54-40	1873018	FRAME, STEP RH	1	1	1426-616-2302-0	
54-41	1860225	BOLT/M10 × 20	4	4	V201-261-0020-0	
54-42	1860404	WASHER, SP/M10	4	4	V401-160-0100-0	

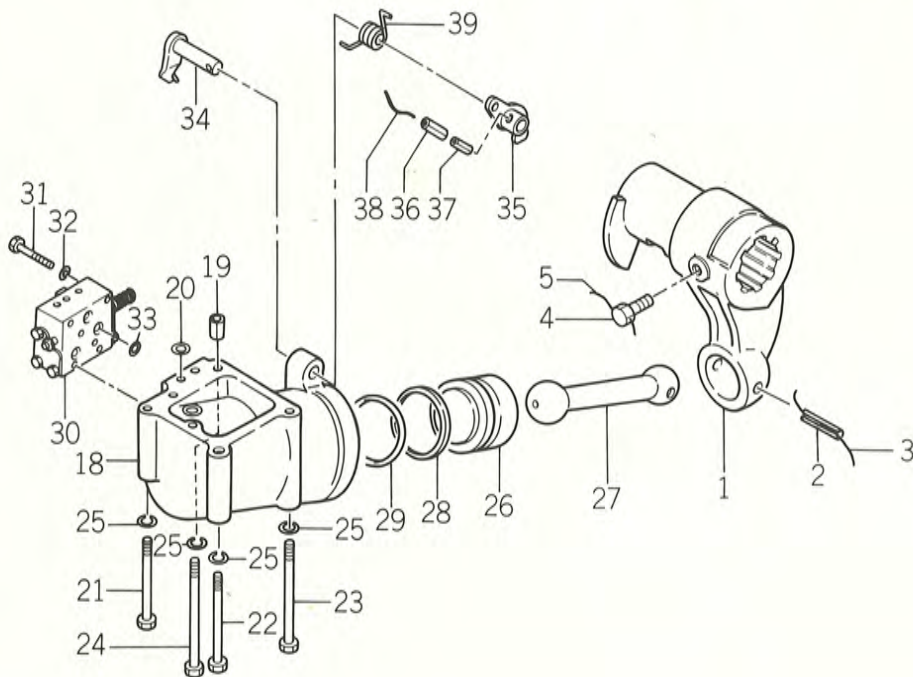
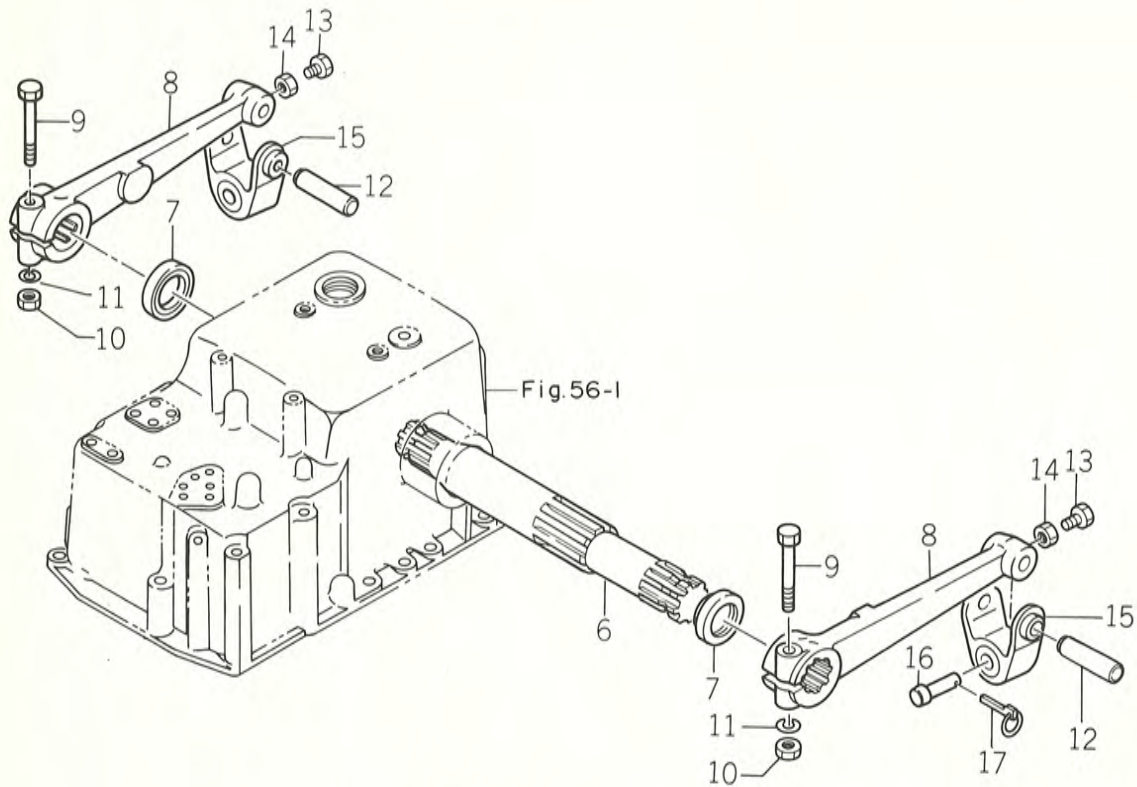
Fig.55 BRAKE



Ref. No.		Description	Q'ty		ISEKI Parts No.	Remarks
			2WD	4WD		
55- 1	1873019	DRUM, BRAKE	2	2	1417-310-0010-0	
55- 2	1862785	WASHER, DRUM	2	2	1419-310-0020-0	
55- 3	1860254	BOLT/M12×25 9T	2	2	V201-461-2025-0	
55- 4	1860405	WASHER, SP/M12	2	2	V401-160-0120-0	
55- 5	1873020	WASHER, LOCK	2	2	1417-310-0040-0	
55- 6	1873021	SHOE, BRAKE	4	4	1417-310-1000-0	
55- 7	1873022	SPRING, TENSION/79	4	4	1417-310-0030-0	
55- 8	1873023	PIN, BRAKE CAM LH	1	1	1417-310-4000-0	
55- 9	1873024	PIN, BRAKE CAM RH	1	1	1417-310-5000-0	
55-10	1862857	O-RING/P21	2	2	V720-102-4021-0	
55-11	1873025	RING, SNAP/WR25	2	2	1407-310-0060-0	
55-12	1873026	METAL, BRAKE LH	1	1	1417-310-2000-0	
55-13	1873027	METAL, BRAKE RH	1	1	1417-310-3000-0	
55-14	1873028	O-RING	2	2	1417-310-0020-0	
55-15	1862887	NIPPLE, GREASE	2	2	V764-400-0000-0	
55-16	1860217	BOLT/M8×25	10	10	V201-260-8025-0	
55-17	1860403	WASHER, SP/M8	10	10	V401-160-0080-0	
55-18	1873029	PIN, SPRING/6×20	2	2	V580-190-6020-0	

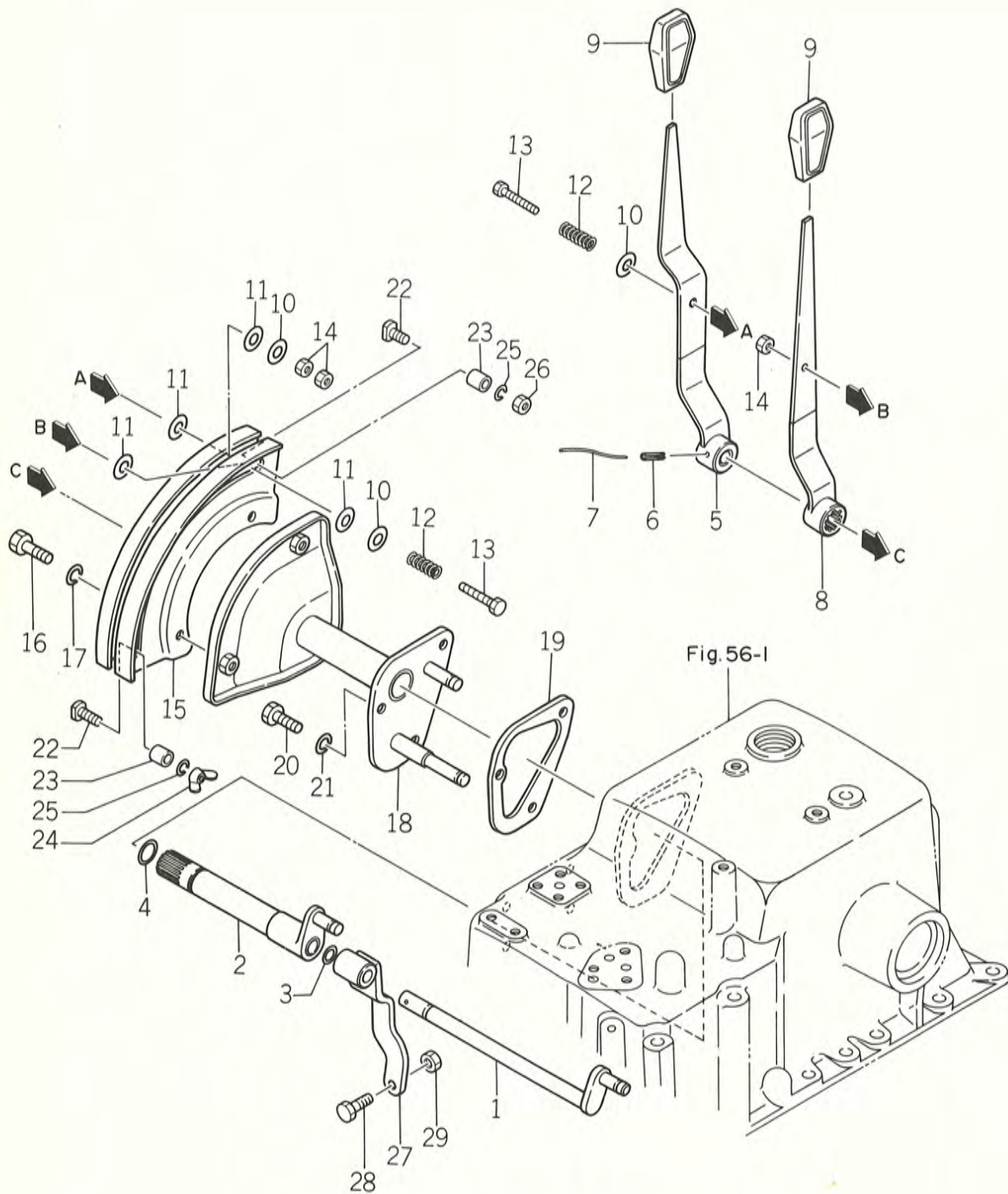
Ref.No.		Description	Q'ty		ISEKI Parts No.	Remarks
			2WD	4WD		
56- 1	1873030	CASE, CYL SET	1	1	1426-571-2100-0	
56- 2	1873031	. BUSH/50	1	1	1404-501-0090-0	
56- 3	1873032	. BUSH/45	1	1	1404-501-0100-0	
56- 4	1862864	NIPPLE, BREATHER/30	2	2	1421-207-0030-0	
56- 5	1860990	PIPE, BREATHER/7 × 11 × 350	1	1	1421-501-0060-0	
56- 6	1862827	CAP, OIL	1	1	1414-501-0080-0	
56- 7	1862828	PACKING, OIL CAP	1	1	1404-201-0180-0	
56- 8	1862615	PLUG	1	1	V781-100-0006-0	
56- 9	1862933	PLUG	1	1	V780-100-0002-0	
56-10	1860308	NUT/M10 7T	5	5	V300-460-0100-0	
56-11	1860237	BOLT/M10 × 30 9T	7	7	V201-461-0030-0	
56-12	1873033	BOLT/M10 × 155 9T	2	2	V201-461-0155-0	
56-13	1873034	BOLT/M10 × 85 9T	1	1	V201-461-0085-0	
56-14	1860404	WASHER, SP/M10	15	15	V401-160-0100-0	
56-15	1873035	STUD/M8 × 20	4	4	V251-260-8020-0	
56-16	1873036	PACKING, CYL CASE	2	2	1415-501-0020-0	
56-17	1873037	PAN, OIL	1	1	1426-501-1010-0	
56-18	1873038	VALVE, RETURN CHECK	1	1	1426-571-2000-0	See Fig. 77
56-19	1862670	BOLT/M8 × 45	3	3	V201-260-8045-0	
56-20	1860403	WASHER, SP/M8	3	3	V401-160-0080-0	
56-21	1862925	O-RING/P14	3	3	V720-112-4014-0	
56-22	1873039	KNOB, SLOW RETURN	1	1	1426-571-0020-0	
56-23	1860304	NUT/M8	1	1	V302-260-0080-0	
56-24	1873040	METAL, FILTER	1	1	1426-571-0030-0	
56-25	1860304	NUT/M8	4	4	V303-260-0080-0	
56-26	1860403	WASHER, SP/M8	4	4	V401-160-0080-0	
56-27	1860403	O-RING/P20	1	1	V720-102-4020-0	
56-28	1873042	FILTER, SUCTION	1	1	1426-571-0040-0	
56-29	1873043	CONNECTOR	1	1	1426-571-0050-0	
56-30	1873044	COVER, SUB CONTROL	1	1	1426-571-0060-0	
56-31	1860218	BOLT/M8 × 30	4	4	V201-260-8030-0	
56-32	1860403	WASHER, SP/M8	4	4	V401-160-0080-0	
56-33	1862925	O-RING/P14	4	4	V720-112-4014-0	
56-34	1873045	HOLDER, KNOB	1	1	1426-571-0070-0	
56-35	1860214	BOLT/M8 × 16	2	2	V201-260-8016-0	
56-36	1860403	WASHER, SP/M8	2	2	V401-160-0080-0	
56-37	1862615	PLUG/PT3/8	1	1	V781-100-0006-0	

Fig.57 LIFT ARM AND CYLINDER



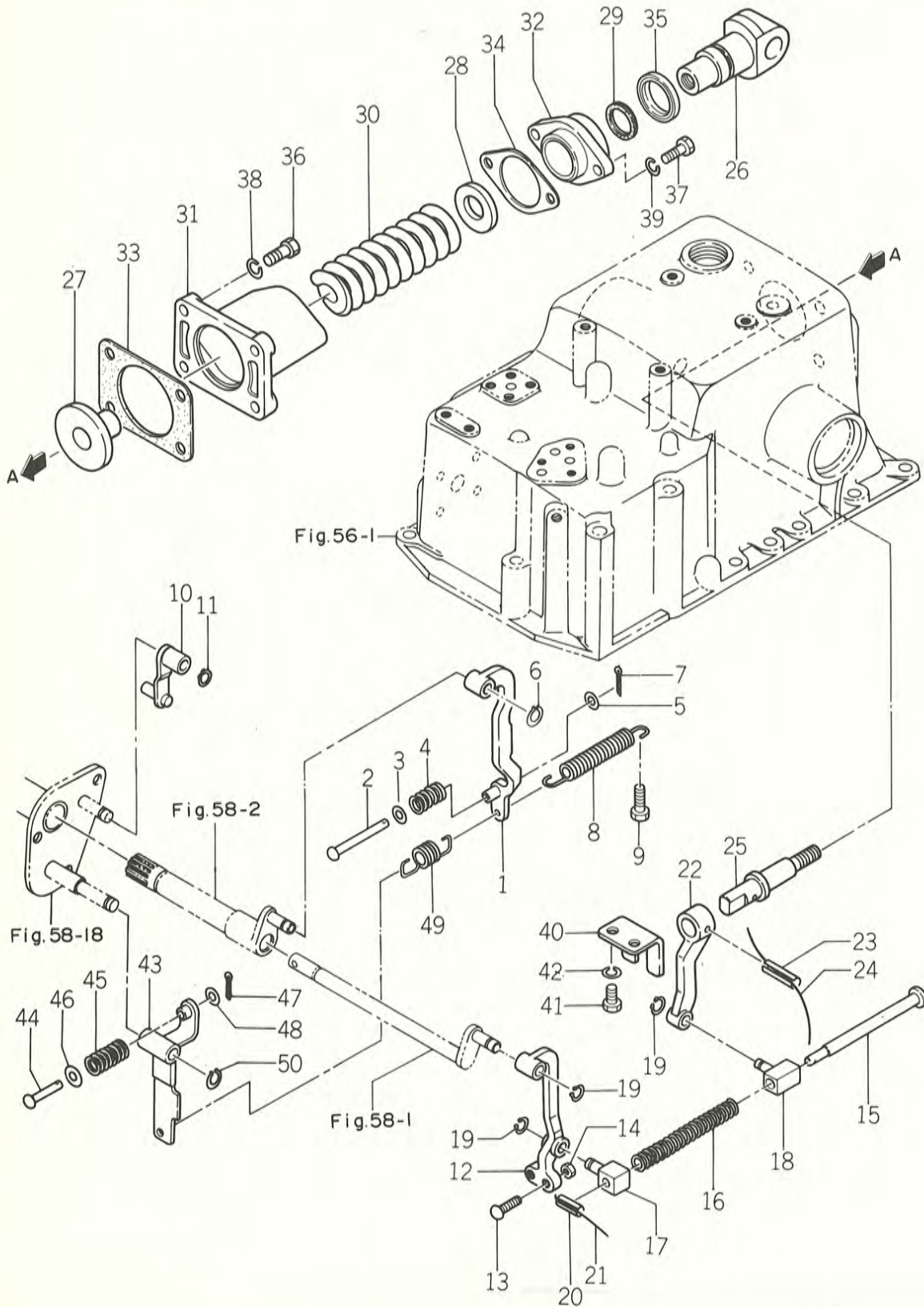
Ref.No.		Description	Q'ty		ISEKI Parts No.	Remarks
			2WD	4WD		
57- 1	1873046	CRANK, LIFT	1	1	1426-572-2000-0	
57- 2	1872576	PIN, SPRING W/8 × 56	1	1	V580-140-8056-0	
57- 3		WIRE/1.2 × 100	1	1		
57- 4	1862830	BOLT/M8 × 20	1	1	1403-209-0060-0	
57- 5		WIRE/1.2 × 200	1	1		
57- 6	1873048	SHAFT, LIFT	1	1	1415-503-0040-0	
57- 7	1873049	SEAL, OIL/TB 45609	2	2	V745-145-6009-0	
57- 8	1873050	ARM, LIFT LH	2	2	1431-557-0010-0	
57- 9	1873051	BOLT, LIFT ARM SET	2	2	1404-502-0080-0	
57-10	1860306	NUT/M12	2	2	V300-460-0120-0	
57-11	1860405	WASHER, SP/M12	2	2	V401-160-0120-0	
57-12	1873052	PIN, LIFT ARM	2	2	1415-503-0030-0	
57-13	1871421	BOLT/M8 × 25	2	2	1404-502-0130-0	
57-14	1862375	NUT/M8	2	2	V302-260-0080-0	
57-15	1873053	FORK, LIFT BRACKET	2	2	1415-503-2000-0	
57-16	1873054	PIN/19 × 84	2	2	7963-613-0040-0	
57-17	1871405	PIN, LINK	2	2	1421-502-0020-0	
57-18	1873055	CYLINDER	1	1	1426-574-0010-0	
57-19	1873056	PIPE, KNOCK	2	2	1426-574-0020-0	
57-20	1862925	O-RING/P14 HS90	4	4	V720-112-4014-0	
57-21	1873057	BOLT/M12 × 100 9T	1	1	V201-461-2100-0	
57-22	1873058	BOLT/M12 × 120 9T	1	1	V201-461-2120-0	
57-23	1873059	BOLT/M12 × 130 9T	1	1	V201-461-2130-0	
57-24	1873060	BOLT/M12 × 150 9T	1	1	V201-461-2150-0	
57-25	1860405	WASHER, SP/M12	4	4	V401-160-0120-0	
57-26	1873061	PISTON	1	1	1415-505-0040-0	
57-27	1873062	ROD	1	1	1415-505-0050-0	
57-28	1873063	RING, BACK-UP/P65	1	1	1415-505-0060-0	
57-29	1873064	O-RING/P65	1	1	V720-105-7065-0	
57-30	1873065	VALVE, CONTROL ASSY	1	1	1426-574-2000-0	See Fig. 75
57-31	1860222	BOLT/M8 × 60	4	4	V201-260-8060-0	
57-32	1860403	WASHER, SP/M8	4	4	V401-160-0080-0	
57-33	1860931	O-RING/P12 HS90	3	3	V720-112-4012-0	
57-34	1873066	ARM, UP STOP	1	1	1426-574-2100-0	
57-35	1873067	BOSS, UP STOP	1	1	1426-574-2200-0	
57-36	1873068	PIN, SPRING W/5 × 22	1	1	V580-140-5022-0	
57-37	1873069	PIN, SPRING W/3 × 22	1	1	V580-140-3022-0	
57-38		WIRE/0.9 × 100	1	1		
57-39	1873070	SPRING, TORQUE/22	1	1	1426-574-0030-0	

Fig.58 DRAFT AND POSITION LEVER SYSTEM



Ref. No.		Description	Q'ty		ISEKI Parts No.	Remarks
			2WD	4WD		
58- 1	1873071	CAM, DRAFT	1	1	1426-574-2500-0	
58- 2	1873072	CAM, POSITION	1	1	1426-574-2600-0	
58- 3	1862859	O-RING/P10	1	1	V720-101-9010-0	
58- 4	1860919	O-RING/P18	1	1	V720-102-4018-0	
58- 5	1873073	LEVER, DRAFT	1	1	1426-574-2700-0	
58- 6	1873074	PIN, SPRING W/4 × 30	1	1	V580-140-4030-0	
58- 7		WIRE/0.9 × 100	1	1		
58- 8	1873075	LEVER, POSITION	1	1	1426-574-2800-0	
58- 9	1862969	GRIP, B	2	2	1432-242-0040-0	
58-10	1862818	WASHER/6 × 24 × 2	2	2	1421-507-0140-0	
58-11	1862817	LINING	4	4	1421-507-0130-0	
58-12	1873076	SPRING, PRESS/28	2	2	1426-574-0290-0	
58-13	1873077	BOLT/M6 × 45	2	2	V200-260-6045-0	
58-14	1860303	NUT/M6	3	3	V300-260-0060-0	
58-15	1873078	GUIDE, LEVER	1	1	1426-574-2900-0	
58-16	1860214	BOLT/M8 × 16	2	2	V201-260-8016-0	
58-17	1860403	WASHER, SP/M8	2	2	V401-160-0080-0	
58-18	1873079	HOLDER, GUIDE	1	1	1426-574-3000-0	
58-19	1873080	PACKING, HOLDER	1	1	1426-574-0310-0	
58-20	1860214	BOLT/M8 × 16	3	3	V201-260-8016-0	
58-21	1860403	WASHER, SP/M8	3	3	V401-160-0080-0	
58-22	1862820	BOLT, LEVER SET	2	2	1421-507-0160-0	
58-23	1862821	COLLAR/9 × 14 × 8	2	2	1421-507-0170-0	
58-24	1862968	NUT, WING/M8	1	1	V370-160-0080-0	
58-25	1860403	WASHER, SP/M8	2	2	V401-160-0080-0	
58-26	1862375	NUT/M8	1	1	V303-260-0080-0	
58-27	1873081	ARM, SPOOL	1	1	1426-574-2300-0	
58-28	1873082	ROD, B	1	1	1426-574-0080-0	
58-29	1860310	NUT/M8	1	1	V302-260-0080-0	

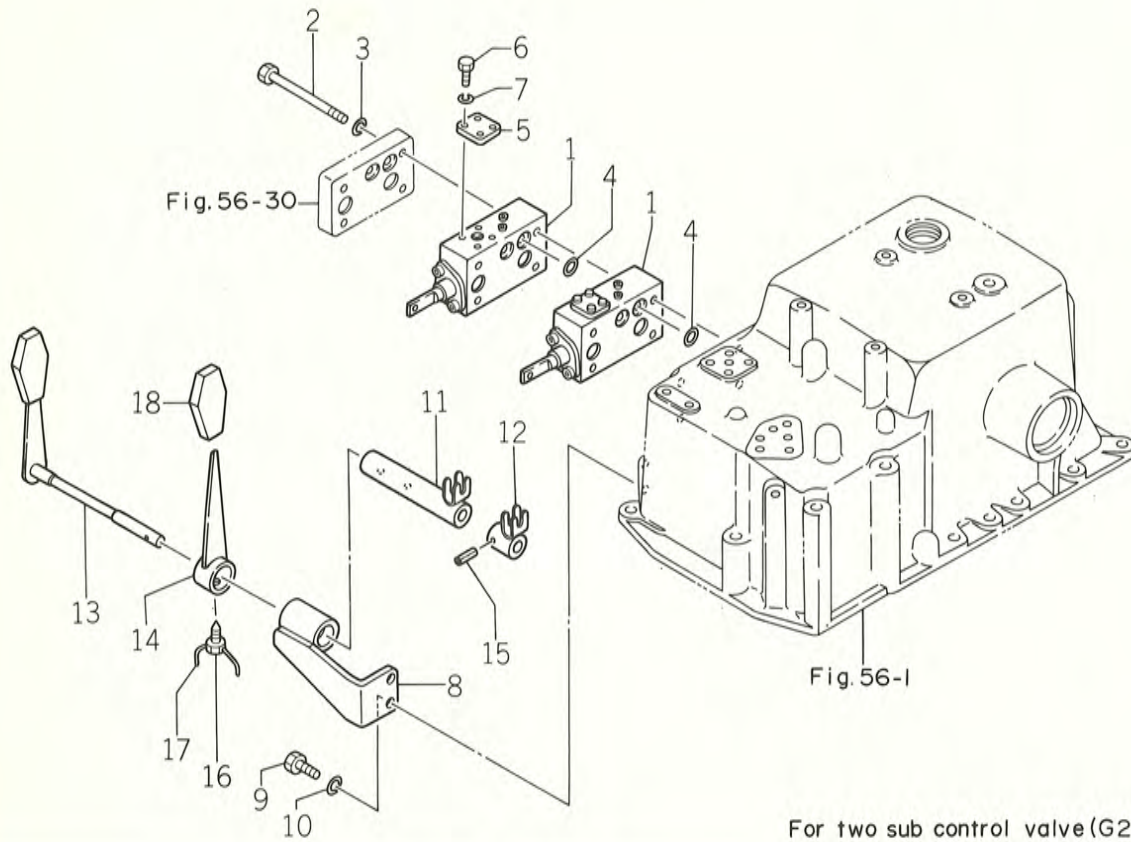
Fig.59 SPRING CASE SYSTEM



Ref.No.		Description	Q'ty		ISEKI Parts No.	Remarks
			2WD	4WD		
59- 1	1873083	ARM, POSITION	1	1	1426-574-0090-0	
59- 2	1873084	ROD, C	1	1	1426-574-0110-0	
59- 3	1873085	WASHER/18	1	1	1432-506-0320-0	
59- 4	1873086	SPRING, PRESS/37	1	1	1426-574-0120-0	
59- 5	1860413	WASHER/M6	1	1	V413-160-0060-0	
59- 6	1873087	RING, SNAP/C 10	1	1	V704-140-0100-0	
59- 7	1860909	PIN, SPLIT	1	1	V500-152-5015-0	
59- 8	1873088	SPRING, TENSION/107	1	1	1432-506-0030-0	
59- 9	1860216	BOLT/M8 × 20	1	1	V201-260-8020-0	
59-10	1873089	ARM, ROD	1	1	1426-574-2400-0	
59-11	1873087	RING, SNAP/C 10	1	1	V704-140-0100-0	
59-12	1873091	ARM, DRAFT	1	1	1426-574-0130-0	
59-13	1873092	ROD	2	2	1426-574-0140-0	
59-14	1860310	NUT/M8	2	2	V302-260-0080-0	
59-15	1873093	ROD, DRAFT	1	1	1426-574-0150-0	
59-16	1873094	SPRING, PRESS/112	1	1	1426-574-0160-0	
59-17	1873095	HOLDER, ROD A	1	1	1432-506-0090-0	
59-18	1873096	HOLDER, ROD B	1	1	1432-506-0110-0	
59-19	1873087	RING, SNAP/C 10	3	3	V704-140-0100-0	
59-20	1862952	PIN, SPRING W/3 × 16	1	1	V580-140-3016-0	
59-21		WIRE/0.9 × 50	1	1		
59-22	1873098	BOSS, DRAFT	1	1	1426-574-0170-0	
59-23	1860517	PIN, SPRING W/5 × 30	1	1	V580-140-5030-0	
59-24		WIRE/0.9 × 150	1	1		
59-25	1873099	HOLDER, SPRING A	1	1	1426-574-0180-0	
59-26	1872953	HOLDER, SPRING B	1	1	1426-574-0190-0	
59-27	1872636	STOPPER, SPRING	1	1	1432-506-0170-0	
59-28	1872645	WASHER/27 × 48 × 6	1	1	1432-506-0180-0	
59-29	1872609	X-RING	1	1	1426-574-0210-0	
59-30	1872616	SPRING, PRESS/68	1	1	1426-574-0220-0	
59-31	1873100	CASE, SPRING A	1	1	1426-574-0230-0	
59-32	1873101	CASE, SPRING B	1	1	1426-574-0240-0	
59-33	1873102	PACKING, CASE A	1	1	1426-574-0250-0	
59-34	1873103	PACKING, CASE B	1	1	1426-574-0260-0	
59-35	1873104	SEAL, DUST	1	1	1426-574-0270-0	
59-36	1860237	BOLT/M10 × 30 9T	4	4	V201-461-0030-0	
59-37	1860235	BOLT/M8 × 25 9T	2	2	V201-460-8025-0	
59-38	1860404	WASHER, SP/M10	4	4	V401-160-0100-0	
59-39	1860403	WASHER, SP/M8	2	2	V401-160-0080-0	
59-40	1873105	STOPPER, HOLDER	1	1	1426-574-0280-0	
59-41	1860214	BOLT/M8 × 16	2	2	V201-260-8016-0	
59-42	1860403	WASHER, SP/M8	2	2	V401-160-0080-0	
59-43	1873106	ARM, SPOOL	1	1	1426-574-0040-0	
59-44	1873107	ROD, A	1	1	1426-574-0050-0	
59-45	1873108	SPRING, PRESS/23	1	1	1426-574-0060-0	

Ref.No.		Description	Q'ty		ISEKI Parts No.	Remarks
			2WD	4WD		
59-46	1873109	WASHER/18	1	1	1432-506-0320-0	
59-47	1860909	PIN, SPLIT/2.5 × 15	1	1	V500-152-5015-0	
59-48	1860413	WASHER/M6	1	1	V413-160-0060-0	
59-49	1873110	SPRING, TENSION/47	1	1	1426-574-0070-0	
59-50	1873111	RING, SNAP/C 10	1	1	V704-140-0100-0	

Fig.60 SUB CONTROL LEVER SYSTEM



For two sub control valve (G2)

For one sub control valve (G1)

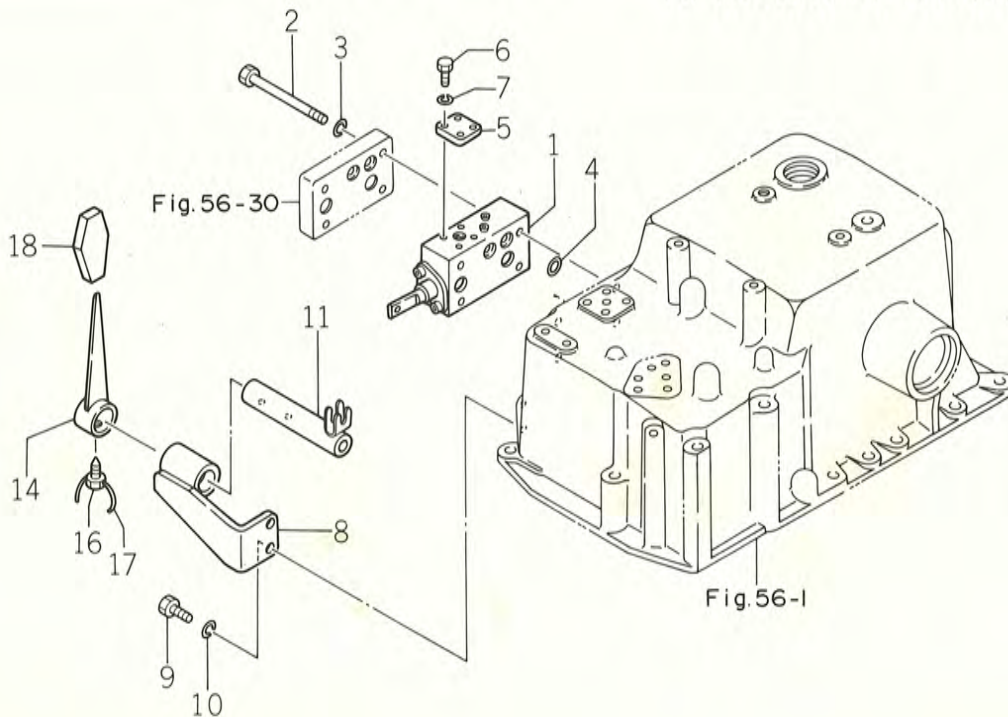
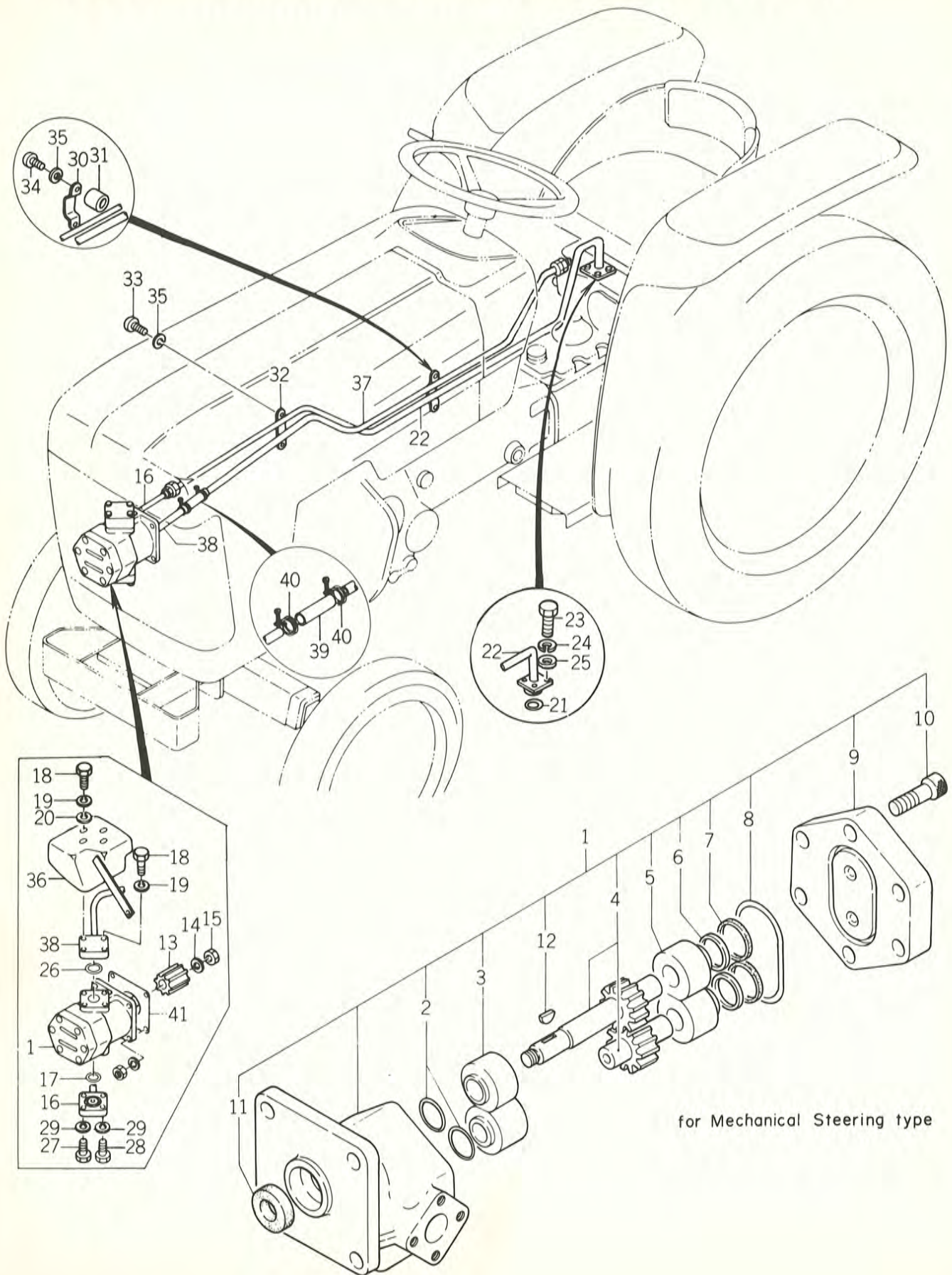


Fig. 56-1

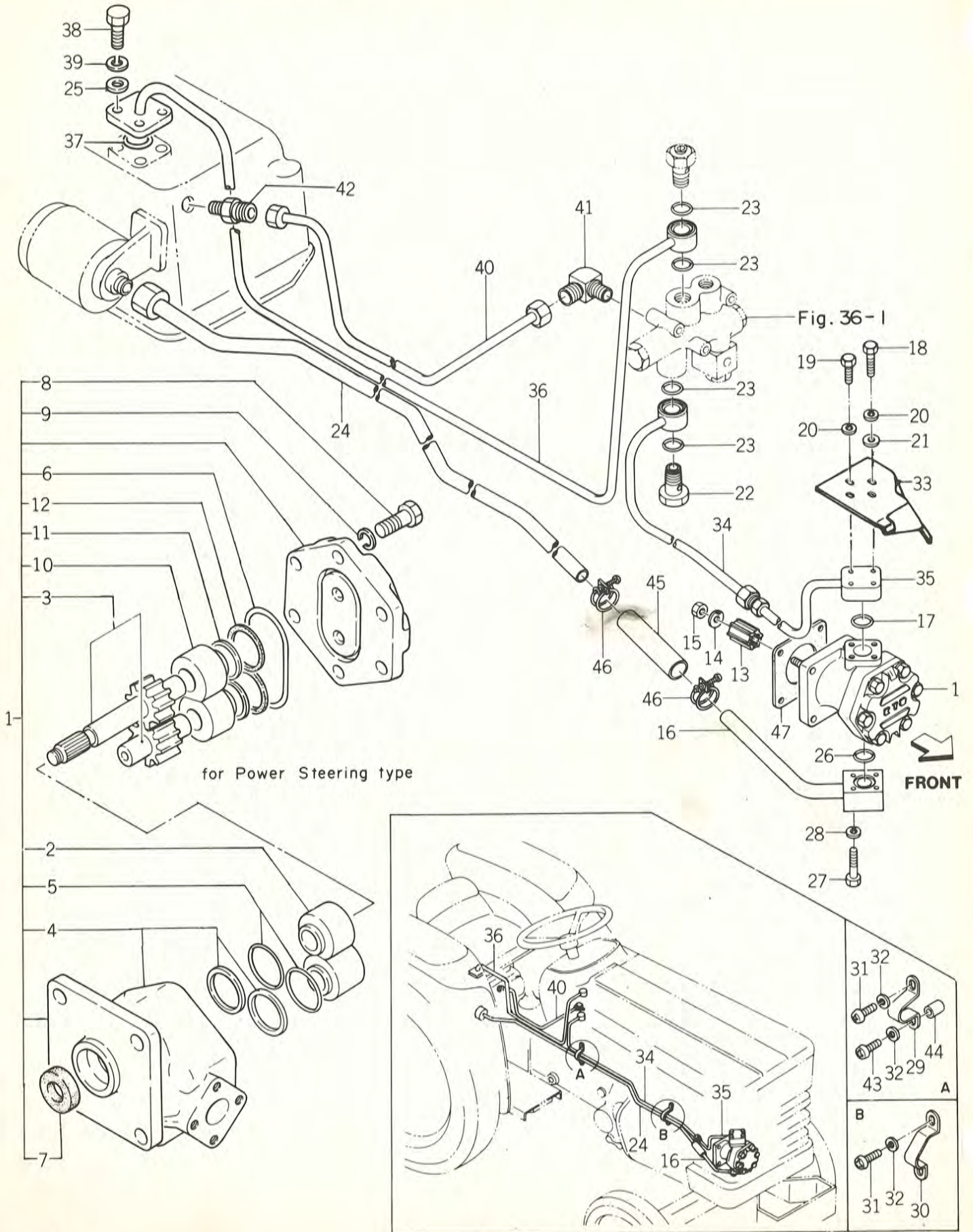
Ref.No.		Description	Q'ty		ISEKI Parts No.	Remarks
			2WD	4WD		
60- 1	1873112	VLAVE, SUB CONTROL ASSY	2	2	1426-584-2000-0	★Gl ... 1 pce.
60- 2	1873113	BOLT/M8 × 105	4	4	V201-460-8105-0	★For G2
60- 2-1	1873114	BOLT/M8 × 65	4	4	V201-460-8065-0	★
60- 3	1860403	WASHER, SP/M8	4	4	V401-160-0080-0	★
60- 4	1862925	O-RING/P14 HS90	10	10	V720-112-4014-0	★Gl ... 5 pcs.
60- 5	1873115	COVER, C-PORT	2	2	1426-584-0010-0	★Gl ... 1 pce.
60- 6	1860202	BOLT/M6 × 16	8	8	V200-260-6016-0	★Gl ... 4 pcs.
60- 7	1860402	WASHER, SP/M6	8	8	V401-160-0060-0	★Gl ... 4 pcs.
60- 8	1873116	BASE	1	1	1426-584-2200-0	★
60- 9	1860216	BOLT/M8 × 20	2	2	V201-260-8020-0	★
60-10	1860403	S.W/M8	2	2	V401-160-0080-0	★
60-11	1873117	BOSS, SUB CONTROL A	1	1	1426-584-2300-0	★
60-12	1873118	BOSS, SUB CONTROL B	1	1	1426-584-2400-0	★For G2
60-13	1873119	LEVER, SUB CONTROL A	1	1	1426-584-2500-0	★For G2
60-14	1873120	LEVER, SUB CONTROL B	1	1	1426-584-2600-0	★
60-15	1873069	PIN, SPRING/3 × 22	1	1	V580-140-3022-0	★For G2
60-16	1862830	BOLT/M8 × 20	1	1	1403-209-0060-0	★
60-17		WIRE/0.9 × 150	2	2		★
60-18	1862969	GRIP, B	2	2	1432-242-0040-0	★

Fig. 61 HYDRAULIC PIPING (MECHANICAL TYPE)



Ref.No.		Description	Q'ty		ISEKI Parts No.	Remarks
			2WD	4WD		
61- 1	1873123	PUMP, GEAR	1		1424-505-2700-0	
61- 2	1873124	• O-RING	2		1421-503-4320-0	
61- 3	1873125	• BUSH, A SET	1		1421-503-4330-0	
61- 4	1873126	• GEAR SET	1		1424-505-2710-0	
61- 5	1873127	• BUSH, C SET	1		1421-503-4350-0	
61- 6	1873128	• RING, SUPPORT	2		1421-503-4360-0	
61- 7	1873129	• RING, SEALING	2		1421-503-4370-0	
61- 8	1873130	• O-RING	1		1421-503-4380-0	
61- 9	1873131	• COVER	1		1421-503-4390-0	
61-10	1873132	• BOLT	6		1421-503-4410-0	
61-11	1873133	• SEAL, OIL	1		1421-503-4420-0	
61-12	1873134	• KEY, WOODRUFF	1		1421-503-4430-0	
61-13	1862838	BOSS, SPLINE/25	1		1404-503-0080-0	
61-14	1862839	WASHER, LOCK	1		1404-503-0090-0	
61-15	1862375	NUT/M8	1		V303-260-0080-0	
61-16	1873135	PIPE, SUCTION B	1		1426-506-2101-0	
61-17	1862943	O-RING/P20	1		V720-112-4020-0	
61-18	1860207	BOLT/M6×35	4		V200-260-6035-0	
61-19	1860402	WASHER, SP/M6	4		V401-160-0060-0	
61-20	1860413	WASHER/M6	1		V413-160-0060-0	
61-21	1862925	O-RING/P14	1		V720-112-4014-0	
61-22	1873136	PIPE, DEL. A	1		1426-576-2100-0	
61-23	1860204	BOLT/M6 ×20	4		V200-260-6020-0	
61-24	1860402	WASHER, SP/M6	4		V401-160-0060-0	
61-25	1860413	WASHER/M6	3		V413-160-0060-0	
61-26	1862943	O-RING/P20	1		V720-112-4020-0	
61-27	1860206	BOLT/M6 × 30	3		V200-260-6030-0	
61-28	1860205	BOLT/M6 ×25	1		V200-260-6025-0	
61-29	1860402	WASHER, SP/M6	4		V401-160-0060-0	
61-30	1873137	CLAMP, PIPE A	1		1426-506-0031-0	
61-31	1872542	COLLAR/9 ×14 × 8	1		1424-604-0010-0	
61-32	1873139	CLAMP, PIPE B	1		1426-506-0040-0	
61-33	1862979	SCREW/M8 ×16	3		V111-168-0016-0	
61-34	1873140	SCREW/M8 × 18	1		V111-168-0018-0	
61-35	1860403	WASHER, SP/M8	4		V401-160-0080-0	
61-36	1873141	COVER, PUMP	1		1424-505-2101-0	
61-37	1873142	PIPE, SUCTION A	1		1426-576-2000-0	
61-38	1873143	PIPE, DEL B	1		1425-505-4000-0	
61-39	1873144	HOSE/RUBBER 19 × 25 ×100	1		1426-506-0080-0	
61-40	1873145	CLIP/26	2		1426-506-0110-0	
61-41	1862977	PACKING, OIL PUMP	1		1404-503-0060-0	

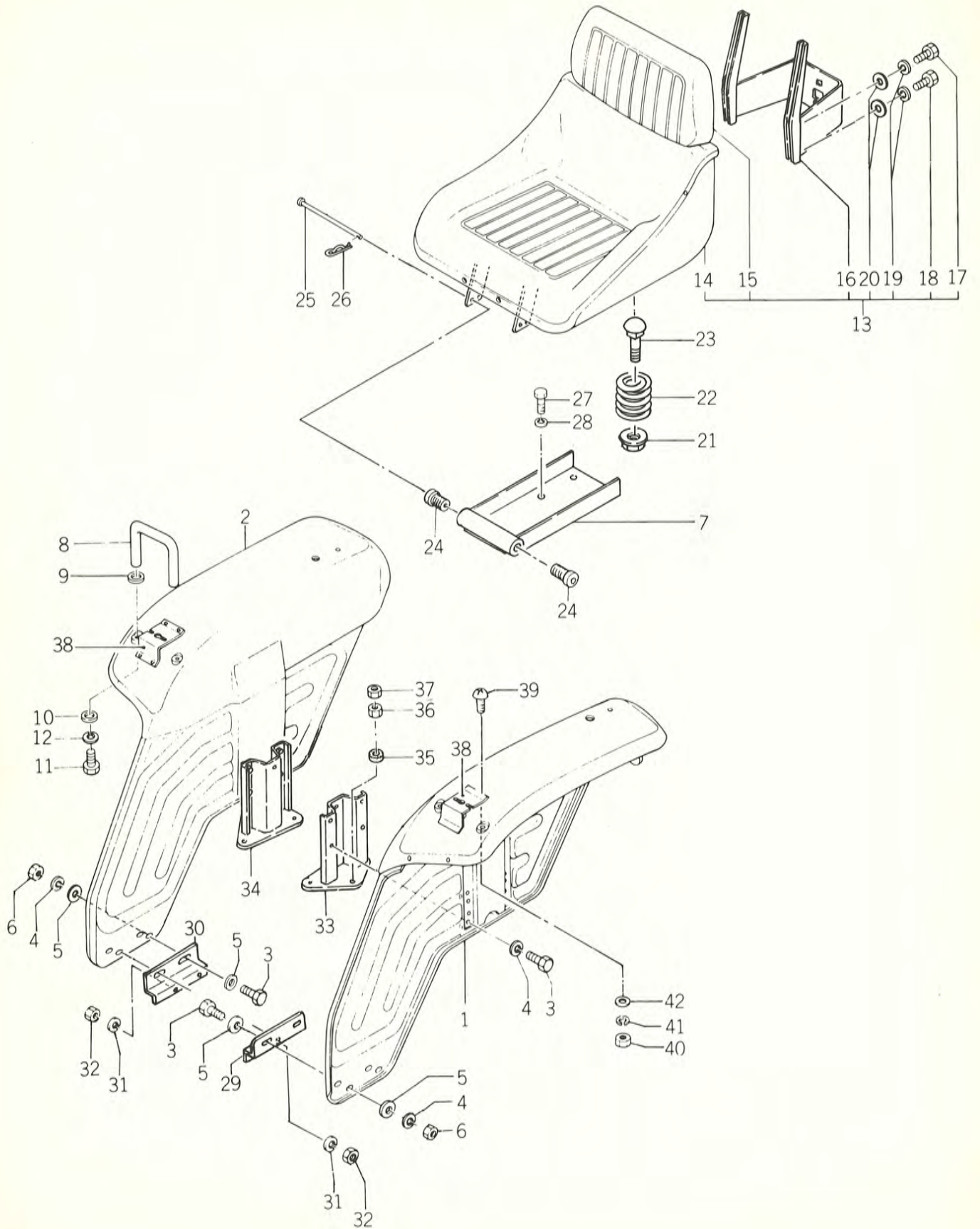
Fig.62 HYDRAULIC PIPING (POWER TYPE)



Ref.No.		Description	Q'ty		ISEKI Parts No.	Remarks
			2WD	4WD		
62- 1	1873146	PUMP, GEAR	1	1	1426-506-2600-0	
62- 2	1873147	• BUSH, A SET	1	1	1426-506-2630-0	
62- 3	1873148	• GEAR SET	1	1	1426-506-2640-0	
62- 4	1873149	• RING, BACK-UP	2	2	1426-506-2650-0	
62- 5	1873150	• O-RING	2	2	1426-506-2660-0	
62- 6	1873130	• O-RING	1	1	1421-503-4380-0	
62- 7	1873152	• SEAL, OIL	1	1	1426-506-2670-0	
62- 8	1873153	• BOLT	6	6	1426-506-2680-0	
62- 9	1860403	• WASHER, SP/M8	6	6	V401-160-0080-0	
62-10	1873154	• BUSH, B SET	1	1	1426-506-2690-0	
62-11	1873155	• RING, SUPPORT	2	2	1426-506-2710-0	
62-12	1873129	• RING, SEALING	2	2	1421-503-4370-0	
62-13	1873157	BOSS, SPLINE/28	1	1	1426-506-0062-0	
62-14	1873158	WASHER, LOCK	1	1	1426-506-0070-0	
62-15	1860255	NUT/M8	1	1	V303-260-0080-0	
62-16	1873135	PIPE, SUCTION B	1	1	1426-506-2101-0	
62-17	1862943	O-RING/P20	1	1	V720-112-4020-0	
62-18	1860206	BOLT/M6 × 30	3	3	V200-260-6030-0	
62-19	1860205	BOLT/M6 × 25	1	1	V200-260-6025-0	
62-20	1860402	WASHER, SP/M6	4	4	V401-160-0060-0	
62-21	1860413	WASHER/M6	3	3	V413-160-0060-0	
62-22	1871455	BOLT, CONNECTOR	2	2	1415-505-0140-0	
62-23	1873160	O-RING/P18	2	2	V720-112-4018-0	
62-24	1873142	PIPE, SUCTION A	1	1	1426-576-2000-0	
62-25	1860413	WASHER/M6	1	1	V413-160-0060-0	
62-26	1872943	O-RING/P20	1	1	V720-112-4020-0	
62-27	1860207	BOLT/M6 × 35	4	4	V200-260-6035-0	
62-28	1860402	WASHER, SP/M6	4	4	V401-160-0060-0	
62-29	1873137	CLAMP, PIPE A	1	1	1426-506-0031-0	
62-30	1873139	CLAMP, PIPE B	1	1	1426-506-0040-0	
62-31	1862979	SCREW/M8 × 16	3	3	V111-168-0016-0	
62-32	1860403	WASHER, SP/M8	4	4	V401-160-0080-0	
62-33	1873141	COVER, PUMP	1	1	1424-505-2101-0	
62-34	1873166	PIPE, DEL A	1	1	1426-506-2200-0	
62-35	1873143	PIPE, DEL B	1	1	1425-505-4000-0	
62-36	1873168	PIPE, DEL B	1	1	1426-578-2000-0	
62-37	1862925	O-RING/P14	1	1	V720-112-4014-0	
62-38	1860204	BOLT/M6 × 20	4	4	V200-260-6020-0	
62-39	1860403	WASHER, SP/M8	4	4	V401-160-0080-0	
62-40	1873169	PIPE, RETURN	1	1	1426-578-2100-0	
62-41	1873170	ELBOW/90°	1	1	1426-506-0010-0	
62-42	1873171	CONNECTOR	1	1	1426-506-0020-0	
62-43	1873170	SCREW/M8 × 18	1	1	V111-168-0018-0	
62-44	1873138	COLLAR/9 × 14 × 8	1	1	1424-604-0010-0	
62-45	1873144	HOSE/RUBBER 19 × 25 × 100	1	1	1426-506-0080-0	

Ref.No.		Description	Q'ty		ISEKI Parts No.	Remarks
			2WD	4WD		
62-46	1873145	CLIP/26	2	2	1426-506-0110-0	
62-47	1862977	PACKING, OIL PUMP	1	1	1404-503-0060-0	

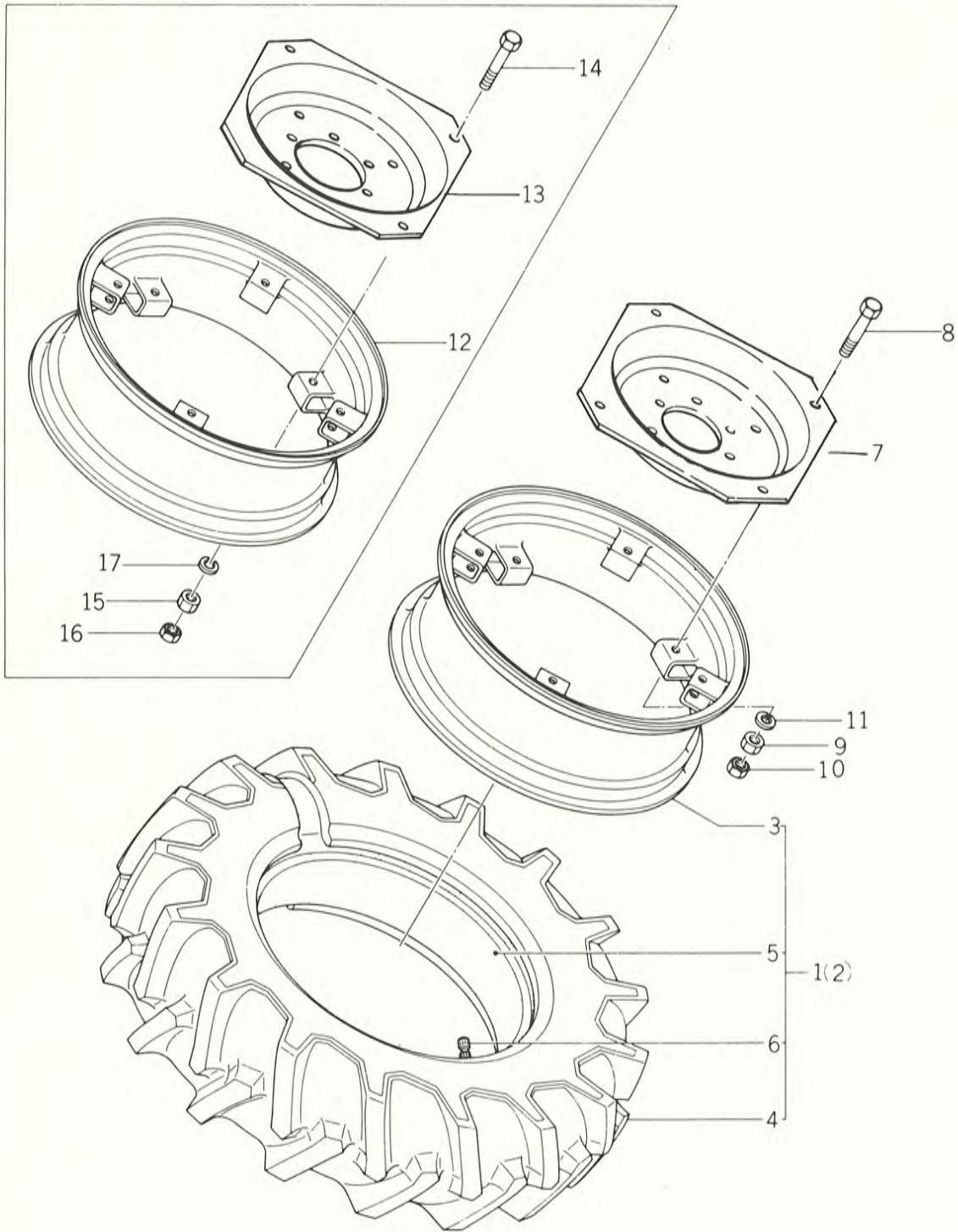
Fig.63 FENDER



Ref.No.		Description	Q'ty		ISEKI Parts No.	Remarks
			2WD	4WD		
63- 1	1873176	FENDER, LH	1	1	1426-606-3002-8	
63- 2	1873177	FENDER, RH	1	1	1426-606-4002-8	
63- 3	1860216	BOLT/M8×20	12	12	V201-260-8020-0	
63- 4	1860403	WASHER, SP/M8	20	20	V401-160-0080-0	
63- 5	1860414	WASHER/M8	8	8	V413-160-0080-0	
63- 6	1860304	NUT/M8	12	12	V300-260-0080-0	
63- 7	1873178	BRACKET, SEAT	1	1	1425-672-2000-0	
63- 8	1873179	CATCHER, HAND	2	2	1426-606-0010-0	
63- 9	1862480	WASHER	4	4	3560-201-0150-0	
63-10	1860414	WASHER/M8	4	4	V413-160-0080-0	
63-11	1860216	BOLT/M8×20	4	4	V201-260-8020-0	
63-12	1860403	WASHER, SP/M8	4	4	V401-160-0080-0	
63-13	*	SEAT ASSY	1	1	1422-668-2000-0	
63-14	1863014	• SEAT A	1	1	1422-668-2010-0	
63-15	1863031	• SEAT B	1	1	1422-668-2020-0	
63-16	1863033	• PLATE, MOVING SET	1	1	1422-668-2030-0	
63-17	1862980	• BOLT/M6×20	2	2	V201-260-6020-0	
63-18	1860257	• BOLT/M6×30	2	2	V201-260-6030-0	
63-19	1860402	• WASHER, SP/M6	4	4	V401-160-0060-0	
63-20	1860413	• WASHER/M6	4	4	V413-160-0060-0	
63-21	1863038	WASHER	1	1	1422-668-2100-0	
63-22	1733960	SEAT, SPRING	1	1	1422-668-0010-0	
63-23	1863036	BOLT/M10×38	1	1	V240-261-0038-0	
63-24	1871474	CUSHION/RUBBER	2	2	1421-611-0040-0	
63-25	1863034	PIN, SEAT SET	1	1	3737-154-0020-0	
63-26	1871302	PIN, HAIR	1	1	1305-241-0010-0	
63-27	1860214	BOLT/M8×16	4	4	V201-260-8016-0	
63-28	1860403	WASHER, SP/M8	4	4	V401-160-0080-0	
63-29	1873181	SPACER, FENDER LH	1	1	1431-666-0011-0	
63-30	1873182	SPACER, FENDER RH	1	1	1431-666-0021-0	
63-31	1860403	WASHER, SP/M8	8	8	V401-160-0080-0	
63-32	1860304	NUT/M8	8	8	V300-260-0080-0	
63-33	1873183	BASE, FENDER LH	1	1	1431-666-2000-8	
63-34	1873184	BASE, FENDER RH	1	1	1431-666-2100-8	
63-35	1862981	CUSHION, BASE	6	6	1421-606-0030-0	
63-36	1860306	NUT/M12	6	6	V300-260-0120-0	
63-37	1860311	NUT/M12	6	6	V302-260-0120-0	
63-38	1873185	PLATE C	2	2	1426-606-3031-0	
63-39	1873186	SCREW/M6×12	8	8	V111-166-0012-0	
63-40	1862967	NUT/M6	8	8	V300-260-0060-0	
63-41	1860402	WASHER, SP/M6	8	8	V401-160-0060-0	
63-42	1860413	WASHER/M6	8	8	V413-160-0060-0	

*Order individual parts

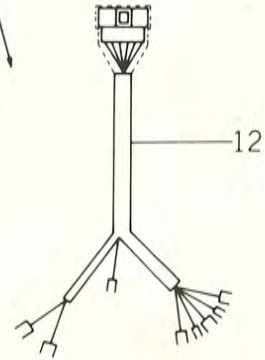
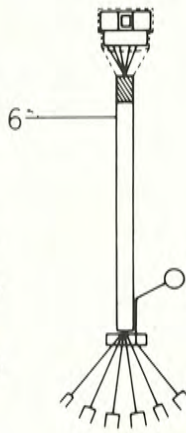
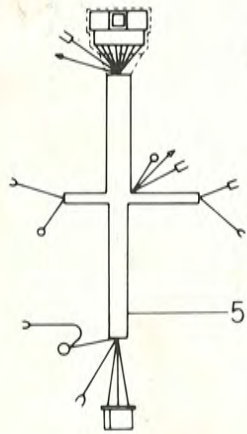
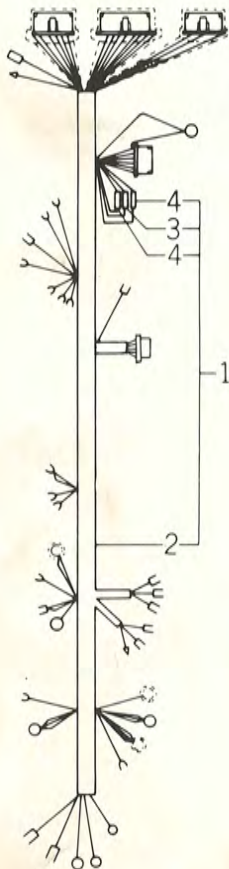
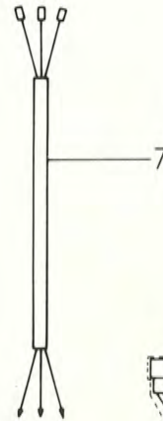
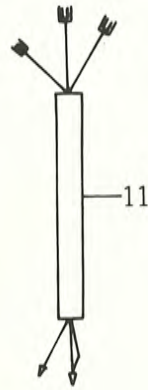
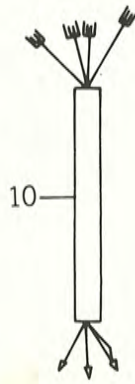
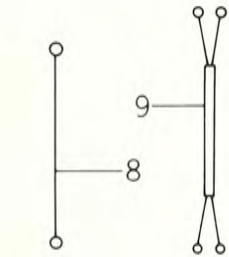
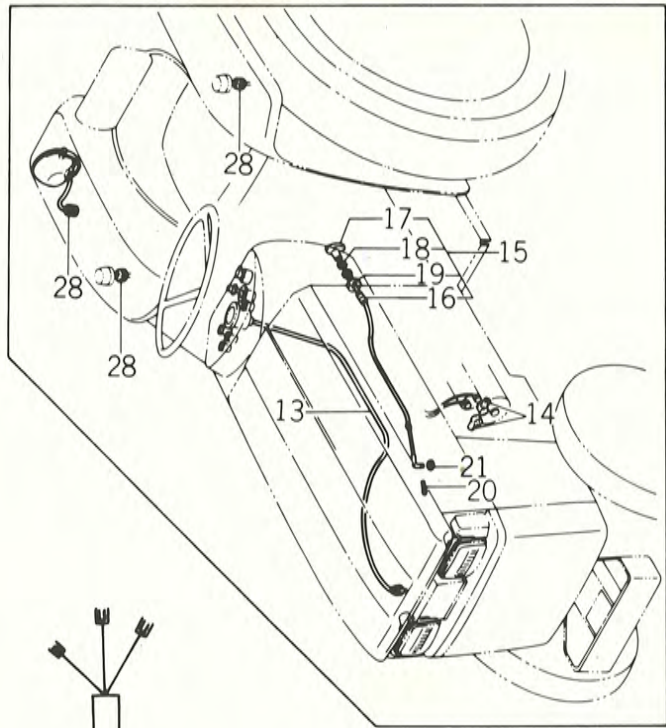
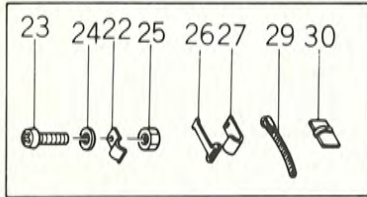
Fig.64 REAR WHEEL



Ref.No.		Description	Q'ty		ISEKI Parts No.	Remarks
			2WD	4WD		
64- 1	*	TIRE LH ASSY	1	1	1431-361-2100-0	} For E31
64- 2	*	TIRE RH ASSY	1	1	1431-361-2300-0	
64- 3	1873187	• RIM, WHEEL/W10-24	2	2	1417-317-1000-1	
64- 4	1873188	• TIRE	2	2	1431-361-2110-0	
64- 5	1873189	• TUBE/12.4-24	2	2	V889-001-2424-0	
64- 6	1860908	• CAP, TIRE VALVE	2	2	V999-300-0010-0	
64- 7	1862879	DISC, R. WHEEL	2	2	1404-317-0050-2	
64- 8	1873190	BOLT/M16×90 9T	8	8	V201-461-6090-0	
64- 9	1863046	NUT/M16 7T	8	8	V300-460-0160-0	
64-10	1863047	NUT/M16 7T	8	8	V302-460-0160-0	
64-11	1860406	WASHER, SP/M16	8	8	V401-160-0160-0	
64- 0-1	*	RIM, R. WHEEL SET	2	2	1431-362-2000-0	★
64-12	1873191	• RIM, WHEEL/W10-24	2	2	1417-317-1000-1	★
64-13	1862879	• DISC, R. WHEEL	2	2	1404-317-0050-2	★
64-14	1873190	• BOLT/M16×90 9T	8	8	V201-461-6090-0	★ } For E33
64-15	1863046	• NUT/M16 7T	8	8	V300-460-0160-0	★
64-16	1863047	• NUT/M16 7T	8	8	V302-460-0160-0	★
64-17	1860406	• WASHER, SP/M16	8	8	V401-160-0160-0	★ }

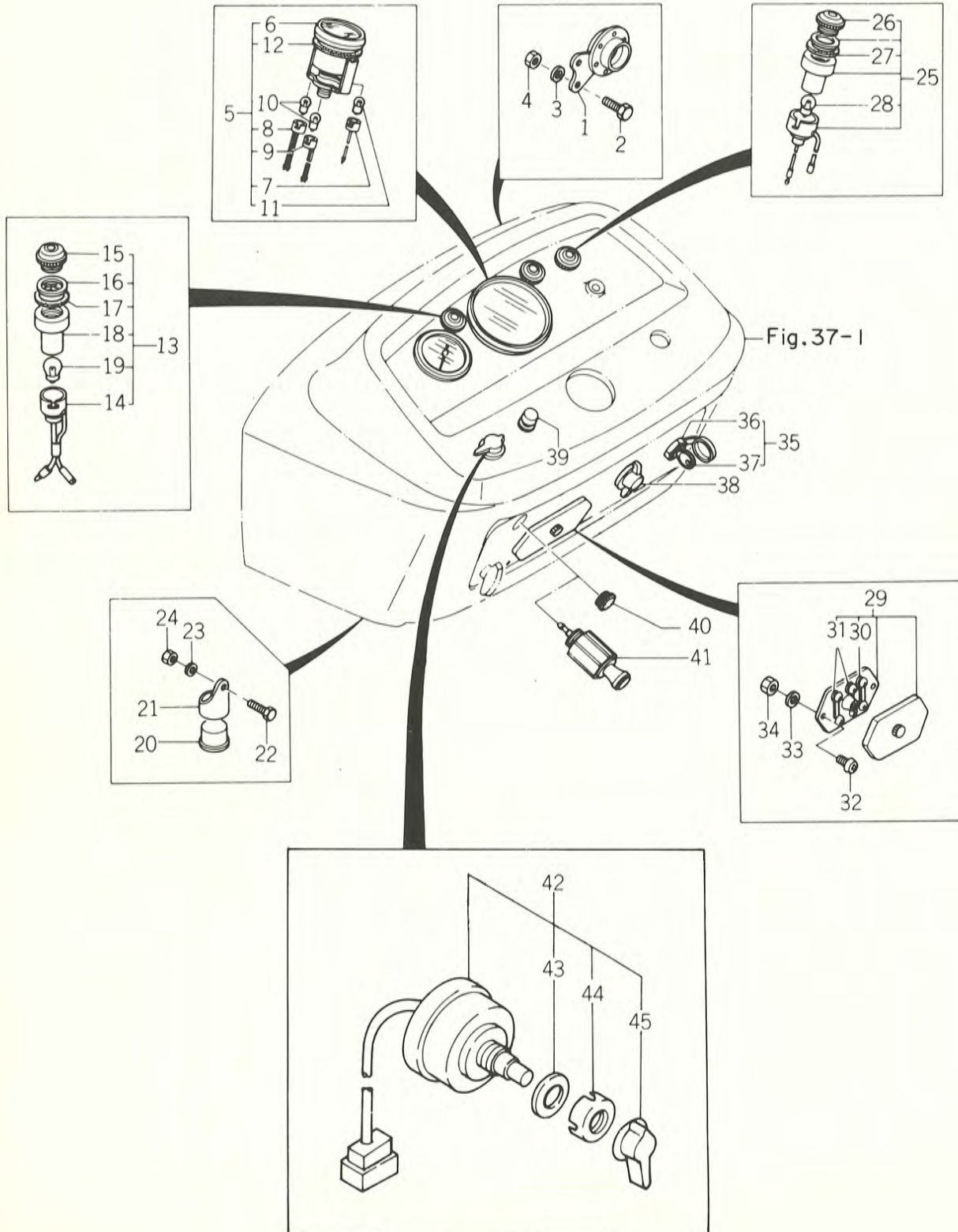
*Order individual parts

Fig.65 ELECTRICAL SYSTEM (1)



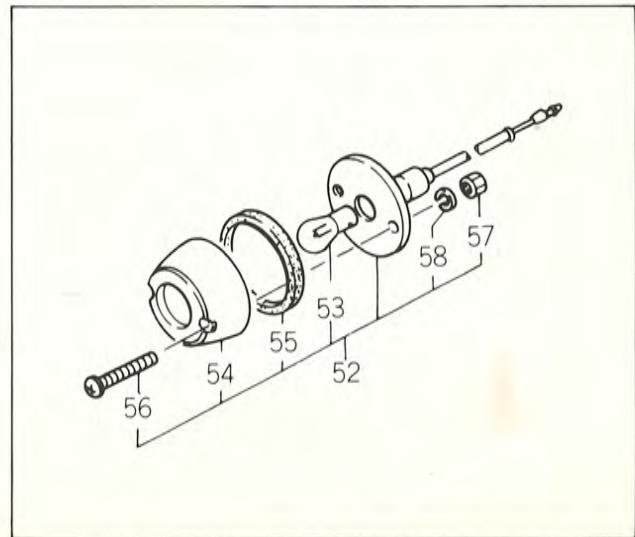
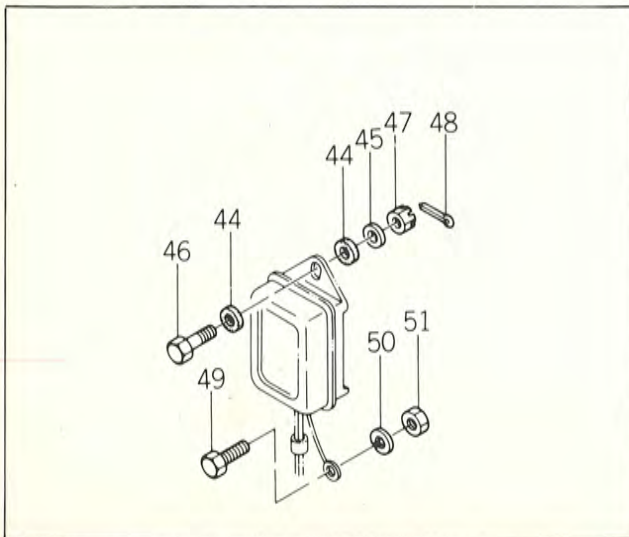
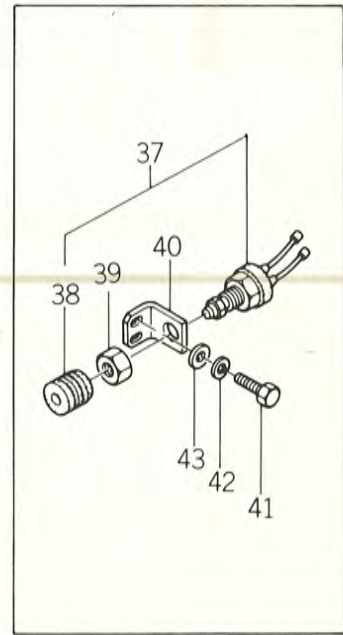
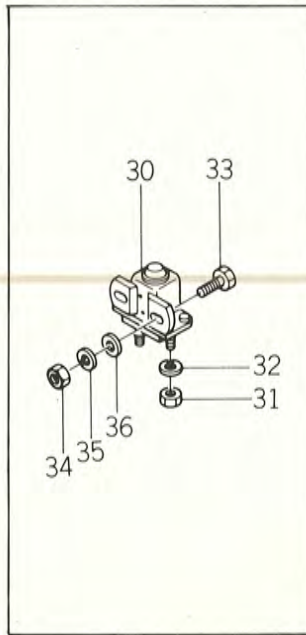
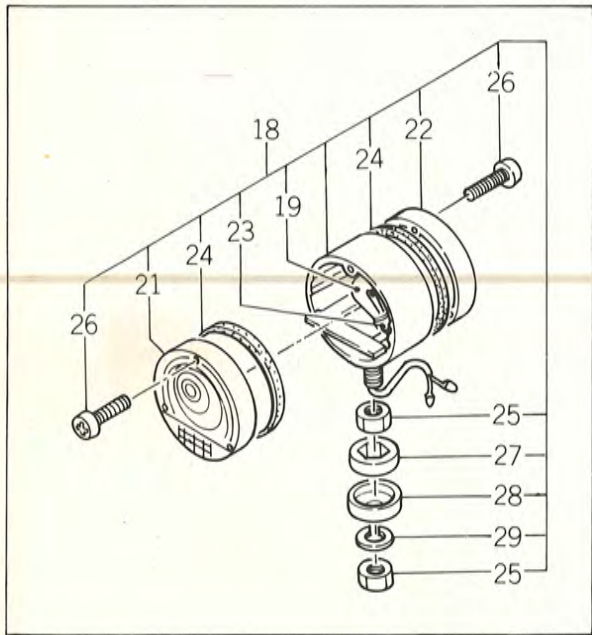
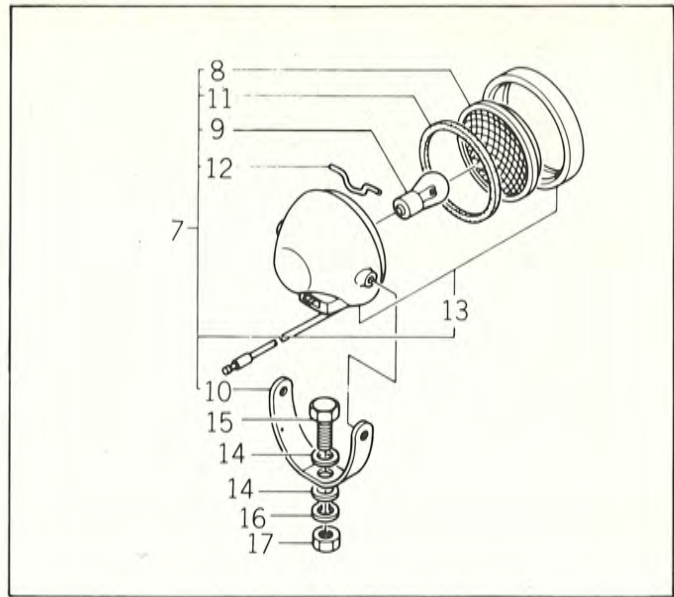
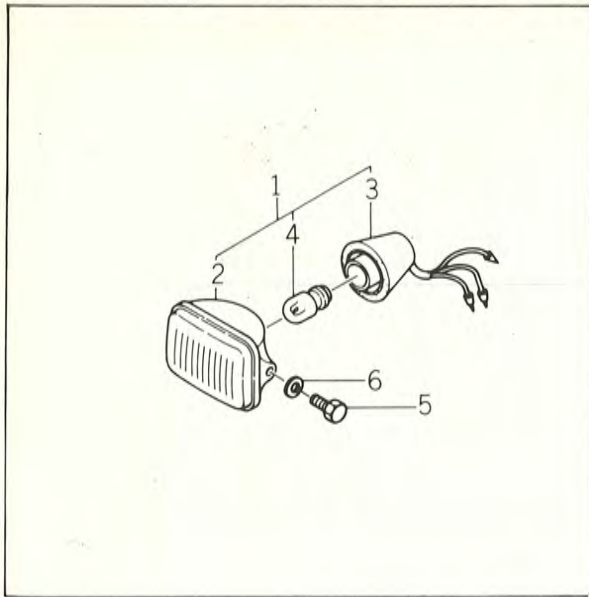
Ref.No.		Description	Q'ty		ISEKI Parts No.	Remarks
			2WD	4WD		
65- 1	1873192	HARNESS, WIRE NO.1 ASSY	1	1	1431-686-2401-0	
65- 2	1873193	• HARNESS, WIRE NO.1	1	1	1431-686-2411-0	
65- 3	1872002	• FUSE/10A	1	1	1431-686-2420-0	
65- 4	1871966	• FUSE/15A	2	2	1423-621-2010-0	
65- 5	1873194	HARNESS, WIRE/NO.2	1	1	1431-686-0021-0	
65- 6	1873195	HARNESS, WIRE/NO.3	1	1	1431-686-0030-0	
65- 7	1862889	HARNESS, WIRE/NO.4	1	1	1421-621-0160-0	
65- 8	1873196	HARNESS, WIRE/NO.5	1	1	1423-621-0150-0	
65- 9	1862892	HARNESS, WIRE/NO.7	1	1	1421-621-0190-0	
65-10	1873197	HARNESS, WIRE/NO.1	1	1	1431-681-0011-0	
65-11	1873198	HARNESS, WIRE/NO.2	1	1	1431-681-0021-0	
65-12	1873199	HARNESS, WIRE/NO.4	1	1	1431-686-0040-0	
65-13	1873200	CABLE, METER	1	1	1425-621-0020-0	
65-14	1862897	COVER, TERMINAL/L14-7	1	1	1415-621-0160-0	
65-15	1873201	WIRE, STOP ASSY	1	1	1425-600-0511-0	
65-16	1873202	• WIRE, STOP SET	1	1	1425-621-0030-0	
65-17	1862902	• KNOB	1	1	1421-621-0081-0	
65-18	1860302	• NUT/M5	1	1	V300-260-0050-0	
65-19	1862903	• NUT/M14	1	1	1421-621-0070-0	
65-20	1871975	PIN, SPLIT/1.6 × 10	1	1	V500-151-6010-0	
65-21	1871974	WASHER/M5	1	1	V413-160-0050-0	
65-22	1873700	CLAMP, LW	7	7	3737-172-0090-0	
65-23	1873203	SCREW/M6 × 12	6	6	V111-166-0012-0	
65-24	1873186	WASHER, SP/M6	6	6	V401-160-0060-0	
65-25	1860303	NUT/M6	6	6	V300-260-0060-0	
65-26	1862899	BAND, WIRE/170	3	3	1421-621-0380-0	
65-27	1862900	CLIP	5	5	1317-621-0020-0	
65-28	1862924	GROMMET	1	1	1404-621-0300-0	★
65-29	1862896	BAND, WIRE/140	4	4	1376-402-0030-0	
65-30	1871971	CLAMP, HARNESS	10	10	1426-621-0380-0	

Fig.66 ELECTRICAL SYSTEM (2)



Ref.No.		Description	Q'ty		ISEKI Parts No.	Remarks
			2WD	4WD		
66- 1	1862880	HORN	1	1	1416-621-0440-0	
66- 2	1860201	BOLT/M6 × 12	1	1	V200-260-6012-0	
66- 3	1860402	WASHER, SP/M6	1	1	V401-160-0060-0	
66- 4	1860303	NUT/M6	1	1	V300-260-0060-0	
66- 5	1873204	HOURMETER ASSY	1	1	1431-681-2000-0	
66- 6	1873205	• HOURMETER SET	1	1	1431-681-2010-0	
66- 7	1873206	• SOCKET	1	1	1407-621-0050-0	
66- 8	1873207	• SOCKET	1	1	1423-621-0010-0	
66- 9	1873208	• SOCKET	1	1	1407-621-0070-0	
66-10	1871415	• BULB/12V-3.4W	2	2	1403-621-0310-0	
66-11	1862906	• BULB/6V-3W	1	1	1415-621-0100-0	
66-12	1873209	• RUBBER	1	1	1407-621-0040-0	
66-13	1871977	LAMP, PILOT ASSY	2	2	1431-686-2100-0	
66-14	1873210	• SOCKET	2	2	1431-686-2110-0	
66-15	1871978	• LENS	2	2	1431-686-2120-0	
66-16	1871463	• WASHER	2	2	1419-621-0160-0	
66-17	1871464	• GASKET	2	2	1419-621-0170-0	
66-18	1871465	• HOLDER	2	2	1419-621-0180-0	
66-19	1871415	• BULB	2	2	1403-621-0310-0	
66-20	1871988	FLASHER UNIT	1	1	1426-621-0350-0	
66-21	1871989	BASE, FLASHER UNIT	1	1	1426-621-0360-0	
66-22	1860202	BOLT/M6 × 16	1	1	V200-260-6016-0	
66-23	1860402	WASHER, SP/M6	1	1	V401-160-0060-0	
66-24	1860303	NUT/M6	1	1	V300-260-0060-0	
66-25	1871471	LAMP, PILOT C ASSY	1	1	1421-600-0570-0	
66-26	1871462	• LENS	1	1	1419-621-0150-0	Red
66-27	1871464	• GASKET	1	1	1419-621-0170-0	
66-28	1871415	• BULB/12V-3.4W	1	1	1403-621-0310-0	
66-29	1873212	BOX, FUSE ASSY	1	1	1415-600-0550-0	
66-30	1873213	• FUSE/10A	3	3	1415-621-0200-0	
66-31	1873214	• FUSE/5A	6	6	1415-621-0210-0	
66-32	1873215	SCREW/M5 × 16	2	2	V111-165-0016-0	
66-33	1860401	WASHER, SP/M5	2	2	V401-160-0050-0	
66-34	1860302	NUT/M5	2	2	V300-260-0050-0	
66-35	1871430	SWITCH, KEY ASSY	1	1	1407-600-0520-0	
66-36	1871430	• SWITCH, KEY	1	1	1407-621-0110-0	
66-37	1871433	• KEY	2	2	1407-621-0120-0	
66-38	1871460	SWITCH, STARTER	1	1	1416-621-0020-0	
66-39	1871409	SWITCH, PUSH BUTTON	1	1	1402-621-0130-0	
66-40	1873217	CAP, BLANK/23	1	1	1431-686-0010-0	
66-41	1873218	LIGHTER, CIGARETTE	1	1	1423-621-0040-0	
66-42	1873219	SWITCH, FLASHER ASSY	1	1	1431-686-2500-0	
66-43	1873220	• WASHER	1	1	1431-686-2520-0	
66-44	1873221	• NUT	1	1	1431-686-2530-0	
66-45	1873222	• LEVER, SWITCH	1	1	1431-686-2540-0	

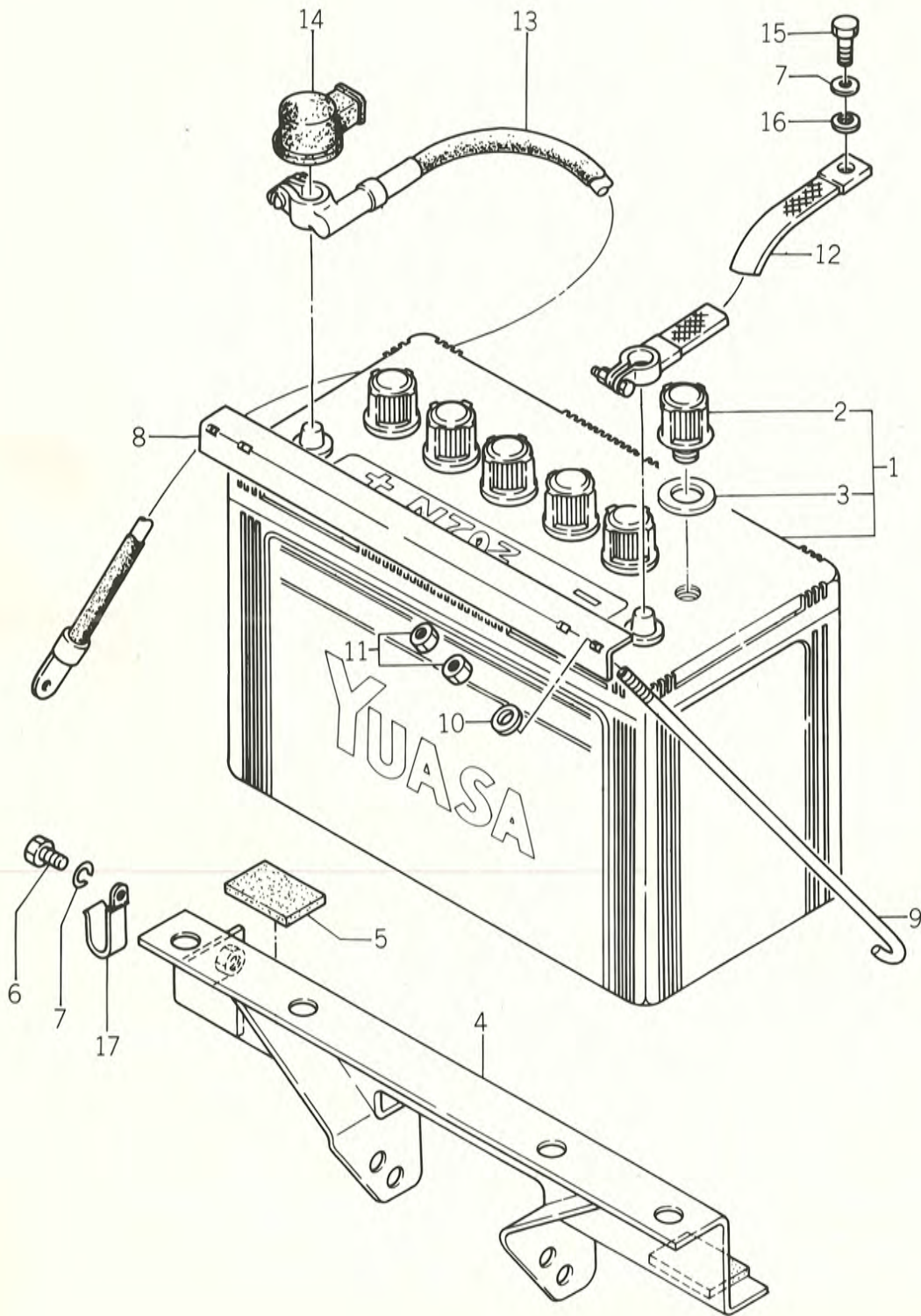
Fig.67 ELECTRICAL SYSTEM (3)



Ref.No.		Description	Q'ty		ISEKI Parts No.	Remarks
			2WD	4WD		
67- 1	1871980	LAMP, HEAD ASSY	2	2	1421-621-2000-0	
67- 2	1871981	• LENS	2	2	1421-621-2010-0	
67- 3	1871982	• SOCKET	2	2	1421-621-2020-0	
67- 4	1871983	• BULB/12V-25W	2	2	1421-621-2030-0	
67- 5	1860225	BOLT/M10 × 20	4	4	V201-261-0020-0	
67- 6	1860404	WASHER, SP/M10	4	4	V401-160-0100-0	
67- 7		LAMP, WORK ASSY	1	1	1423-600-0520-0	★
67- 8		• LENS	1	1	1423-621-0050-0	★
67- 9		• BULB/12-25W	1	1	1423-621-0200-0	★
67-10		• STAY	1	1	1423-621-0060-0	★
67-11		• PACKING, LENS	1	1	1423-621-0070-0	★
67-12		• SPRING	1	1	1423-621-0080-0	★
67-13		• LAMP, WORK SET	1	1	1423-621-0090-0	★
67-14	1860414	WASHER	2	2	V413-160-0080-0	★
67-15	1860214	BOLT/M8 × 16	1	1	V201-260-8016-0	★
67-16	1860403	WASHER, SP/M8	1	1	V401-160-0080-0	★
67-17	1860304	NUT/M8	1	1	V300-260-0080-0	★
67-18	1873223	LAMP, BLINKER ASSY	2	2	1431-681-2100-0	
67-19	1873224	• BULB/12V 23W	2	2	1426-621-0020-0	
67-21	1873225	• LENS, F.	2	2	1426-621-0050-0	
67-22	1873226	• LENS, R.	2	2	1426-621-0260-0	
67-23	1873227	• SOCKET SET	2	2	1431-681-2110-0	
67-24	1873228	• GASKET, LENS	4	4	1426-621-0080-0	
67-25	1860311	• NUT/M12	4	4	V302-260-0120-0	
67-26	1873229	• SCREW/M4 × 25	12	12	V111-164-0025-0	
67-27	1873230	• GASKET, BASE	2	2	1426-621-0090-0	
67-28	1873231	• WASHER, SPECIAL	2	2	1426-621-0100-0	
67-29	1860405	• WASHER, SP/M12	2	2	V401-160-0120-0	
67-30	1862907	SWITCH, RELAY	1	1	1416-621-0050-0	
67-31	1860310	NUT/M8	2	2	V302-260-0080-0	
67-32	1860403	WASHER, SP/M8	2	2	V401-160-0080-0	
67-33	1860204	BOLT/M6 × 20	2	2	V200-260-6020-0	
67-34	1860303	NUT/M6	2	2	V300-260-0060-0	
67-35	1860402	WASHER, SP/M6	2	2	V401-160-0060-0	
67-36	1860413	WASHER/M6	2	2	V413-160-0060-0	
67-37	1862908	SWITCH, SAFETY ASSY	1	1	1416-600-0530-0	
67-38	1862909	• BOOT	1	1	1416-621-0250-0	
67-39	1862910	NUT/M22	1	1	1416-621-0260-0	
67-40	1873232	HOLDER, SWITCH	1	1	1417-621-0040-0	
67-41	1860216	BOLT/M6 × 25	2	2	V201-260-8020-0	
67-42	1860403	WASHER, SP/M8	2	2	V401-160-0080-0	
67-43	1860414	WASHER/M8	2	2	V413-160-0080-0	
67-44	1862860	CUSHION/RUBBER	4	4	1423-621-0180-0	
67-45	1862918	WASHER	2	2	2701-101-0520-0	
67-46	1862916	BOLT/M6 × 25	2	2	1423-621-0190-0	For regulator setting

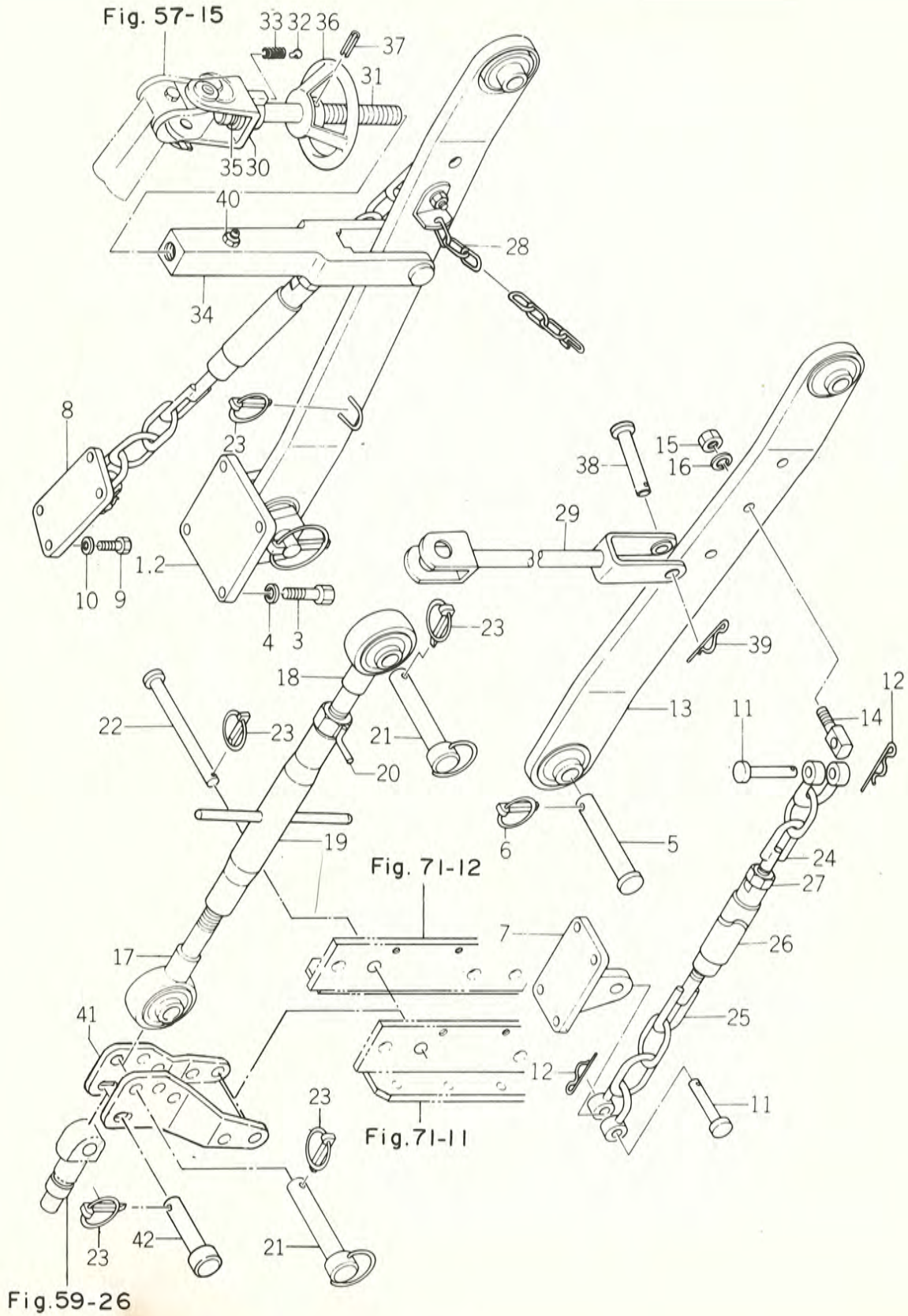
Ref.No.		Description	Q'ty		ISEKI Parts No.	Remarks
			2WD	4WD		
67-47	1871990	NUT, SLOTTED/M6	2	2	V320-260-0060-0	} For regulator setting
67-48	1860914	PIN, SPLIT/1.6 × 15	2	2	V500-151-6015-0	
67-49	1860214	BOLT/M8 × 16	1	1	V201-260-8016-0	
67-50	1860403	WASHER, SP/M8	1	1	V401-160-0080-0	
67-51	1860304	NUT/M8	1	1	V300-260-0080-0	
67-52	*	LAMP, TAIL	2	2	1438-687-2000-0	
67-53	1871995	• BULB/12V 23/8W	2	2	1426-621-0120-0	
67-54	1871996	• LENS	2	2	1426-621-0130-0	
67-55	1871997	• GASKET, LENS	2	2	1426-621-0140-0	
67-56	1871994	• SCREW/M3 × 30	4	4	V113-163-0030-0	
67-57	1860302	• NUT/M5	4	4	V300-260-0050-0	
67-58	1860401	• WASHER, SP/M5	4	4	V401-160-0050-0	

Fig.69 BATTERY SYSTEM



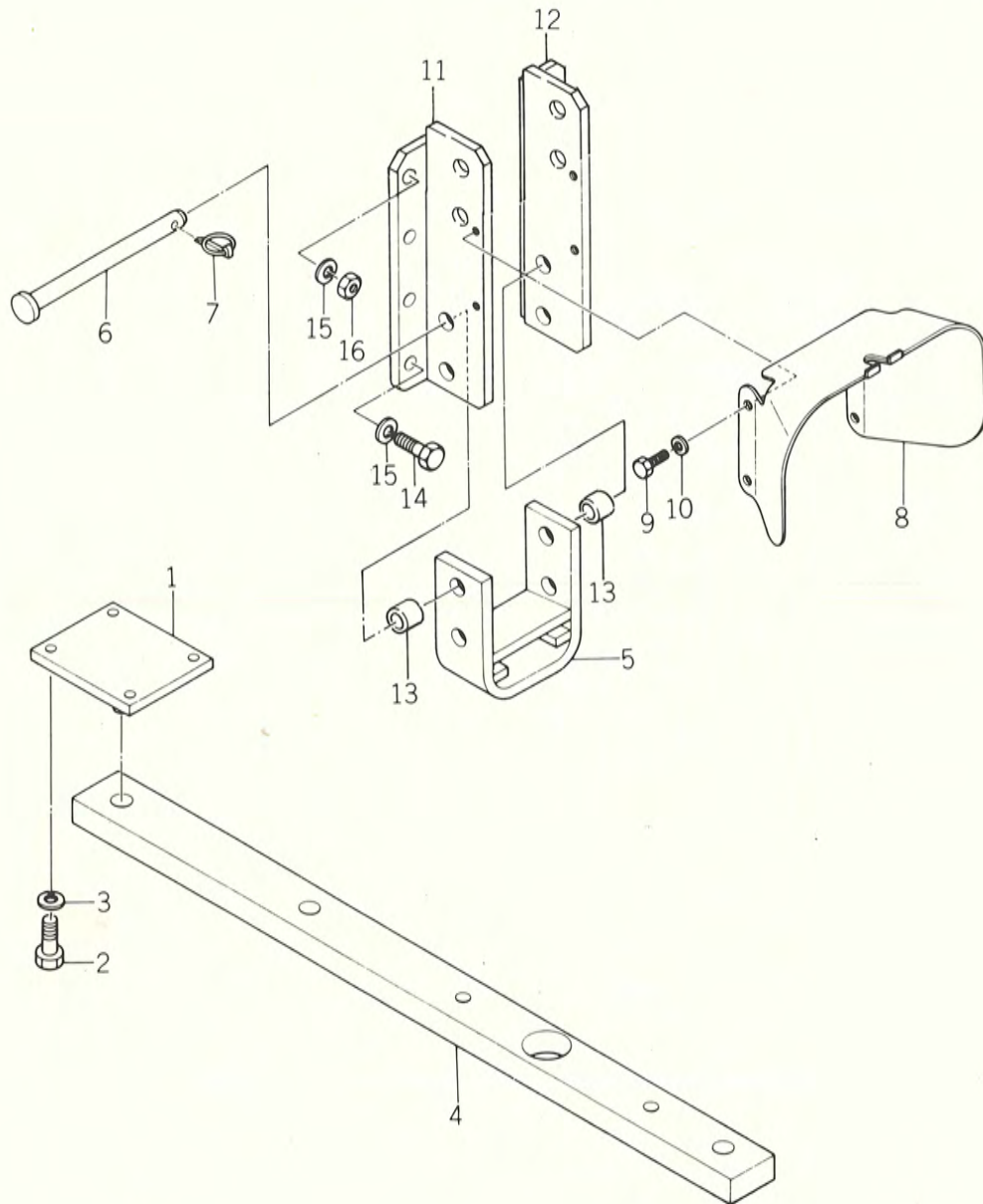
Ref.No.		Description	Q'ty		ISEKI Parts No.	Remarks
			2WD	4WD		
69- 1	1873233	BATTERY ASSY/30HR	1	1	1425-681-2000-0	
69- 2	1873234	• CAP, BATTERY	6	6	1425-681-2010-0	
69- 3	1873235	• PACKING	6	6	1425-681-2020-0	
69- 4	1873236	BASE, BATTERY	1	1	1424-112-1004-0	
69- 5	1862351	PLATE	2	2	3746-261-2050-0	
69- 6	1860214	BOLT/M8 × 16	4	4	V201-260-8016-0	
69- 7	1872541	WASHER, SP/M8	6	6	V401-260-0080-0	
69- 8	1873238	PLATE, BATTERY SET	1	1	1417-112-0010-0	
69- 9	1862929	BOLT, BATTERY SET	2	2	1416-112-0020-0	
69-10	1860413	WASHER/M6	2	2	V413-160-0060-0	
69-11	1860303	NUT/M6	4	4	V300-260-0060-0	
69-12	1873708	STRAP/430	1	1	1423-621-0210-0	
69-13	1873239	CABLE, BATTERY	1	1	1417-621-0020-0	
69-14	1862932	COVER, TERMINAL/L50-14	1	1	1402-621-0140-0	
69-15	1860216	BOLT/M8 × 20	2	2	V201-260-8020-0	
69-16	1860414	WASHER/M8	3	3	V413-160-0080-0	
69-17	1871479	CLAMP, HARNESS	1	1	1425-621-0040-0	

Fig.70 THREE POINT SYSTEM



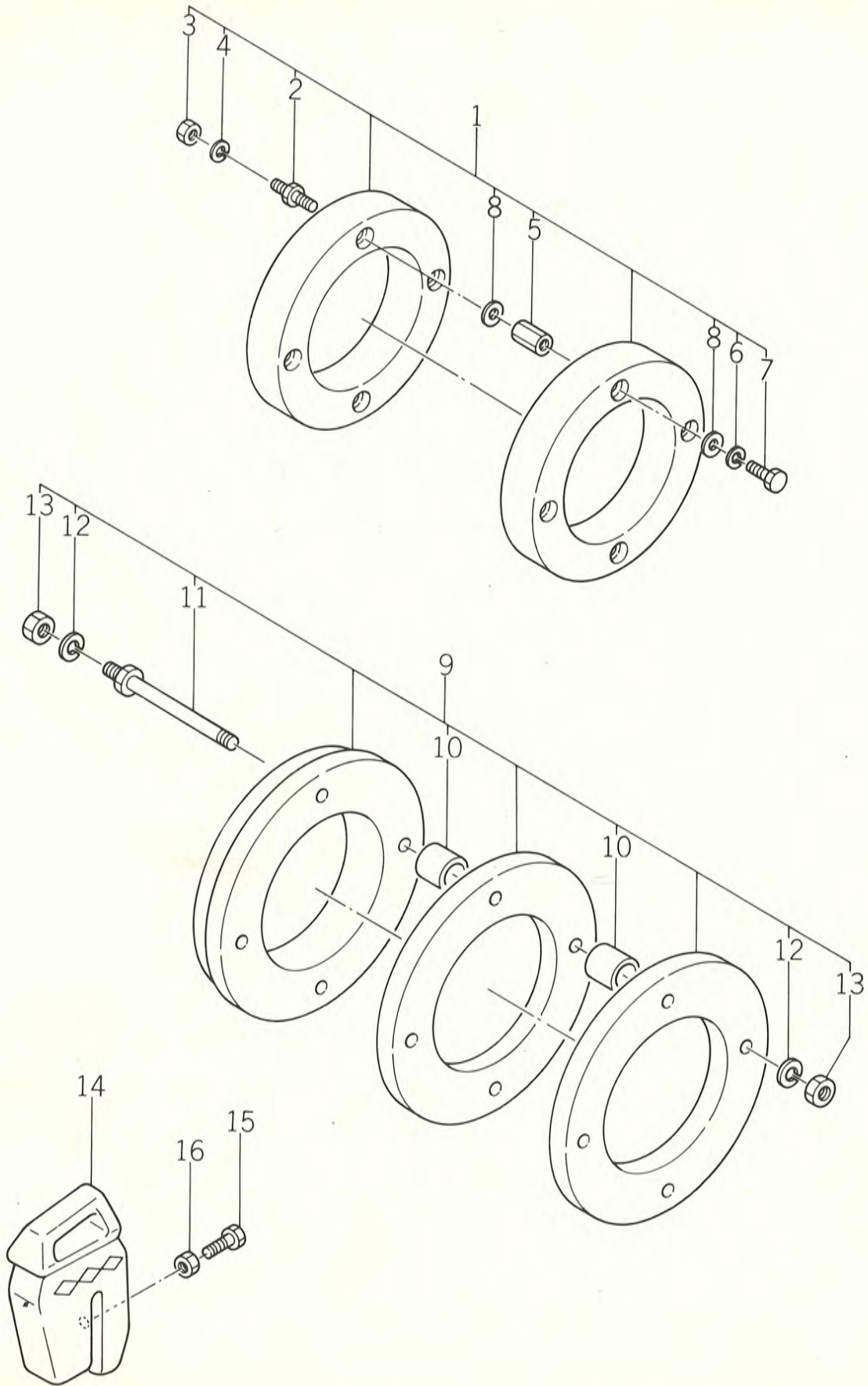
Ref.No.		Description	Q'ty		ISEKI Parts No.	Remarks
			2WD	4WD		
70- 1	1873240	SUPPORT, LW LINK LH	1	1	1431-566-2000-0	
70- 2	1873241	SUPPORT, LW LINK RH	1	1	1431-566-2100-0	
70- 3	1862424	BOLT/M14 × 35	8	8	V201-461-4035-0	
70- 4	1862426	WASHER, SP/M14	8	8	V401-160-0140-0	
70- 5	1873243	PIN/22 × 90	2	2	1423-511-0010-0	
70- 6	1871405	PIN, LINK	2	2	1421-502-0020-0	
70- 7	1873244	SUPPORT, LH	1	1	1431-566-2200-0	
70- 8	1873245	SUPPORT, RH	1	1	1431-566-2300-0	
70- 9	1860239	BOLT/M12 × 30 9T	8	8	V201-461-2030-0	
70-10	1860405	WASHER, SP/M12	8	8	V401-160-0120-0	
70-11	1862935	PIN/12 × 48	4	4	7963-611-0030-0	
70-12	1877903	PIN, HAIR/12	4	4	7957-405-0030-0	
70-13	1873246	LINK, LW	2	2	1417-511-1000-0	
70-14	1862937	PIN, CHAIN	2	2	7963-611-0010-0	
70-15	1873710	NUT/M16	2	2	V300-260-0160-0	
70-16	1860406	WASHER, SP/M16	2	2	V401-160-0160-0	
70-17	1862939	LINK, TOP LH	1	1	1421-511-3000-0	
70-18	1862940	LINK, TOP RH	1	1	1421-511-4000-0	
70-19	1873247	TURNBUCKLE	1	1	1444-514-2900-0	
70-20	1871408	NUT, TOP LINK LOCK	1	1	1402-511-6000-0	
70-21	1871406	PIN, TOP LINK	2	2	1402-500-9040-0	
70-22	1873248	PIN/19 × 220	1	1	1431-566-0010-0	
70-23	1871405	PIN, LINK	4	4	1421-502-0020-0	
70-24	1873249	CHAIN, CHECK A	2	2	1423-511-2100-0	
70-25	1873250	CHAIN, CHECK B	2	2	1423-511-2200-0	
70-26	1873251	TURNBUCKLE, CHAIN	2	2	1423-511-0020-0	
70-27	1873712	NUT/M16	2	2	V300-260-0160-0	
70-28	1873252	CHAIN, LW LINK	2	2	1416-511-4000-0	
70-29	1873253	ROD, LIFT	1	1	1417-520-1000-0	
70-30	1873254	FORK, LIFTING RH	1	1	1404-520-2001-0	
70-31	1873255	SCREW, ADJ RH	1	1	1404-520-0030-0	
70-32	1862956	TINE	1	1	1302-726-0050-0	
70-33	1862957	SPRING, LOCK	1	1	1302-726-0060-0	
70-34	1873256	ROD, LIFT	1	1	1404-520-3000-0	
70-35	1873257	WASHER, THRUST	1	1	1404-520-0010-0	
70-36	1873258	HANDLE, ADJ	1	1	1404-520-0020-0	
70-37	1873259	PIN, SPRING/6 × 40	1	1	V580-100-6040-0	
70-38	1860933	PIN/16 × 70	2	2	1423-520-0010-0	
70-39	1871303	PIN, HAIR	2	2	1305-931-0030-0	
70-40	1860736	NIPPLE, GREASE/A-PT 1/8	1	1	V761-400-0000-0	
70-41	1873260	HITCH, TOP LINK	1	1	1426-580-2300-0	
70-42	1871407	PIN, TOP LINK	1	1	1402-511-0020-0	

Fig.71 ACCESSORIES



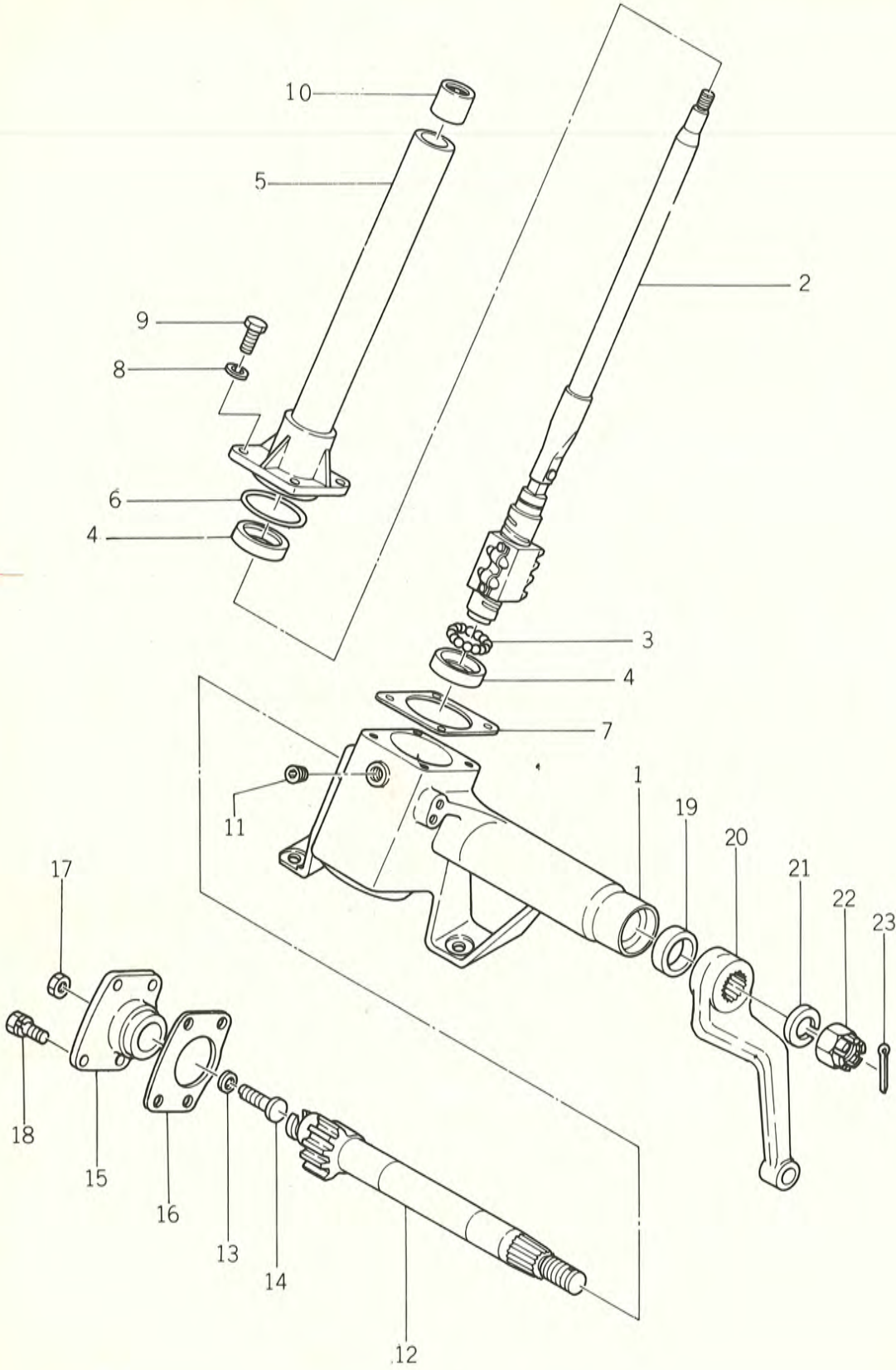
Ref.No.		Description	Q'ty		ISEKI Parts No.	Remarks
			2WD	4WD		
71- 1	1873261	PIN, POINT	1	1	1431-570-2000-0	
71- 2	1862425	BOLT/M14 × 32	4	4	V201-461-4032-0	
71- 3	1862426	WASHER, SP/M14	4	4	V401-160-0140-0	
71- 4	1873263	DRAWBAR	1	1	1431-570-0011-0	
71- 5	1873264	BRACKET, DRAWBER	1	1	1431-570-2100-0	
71- 6	1873248	PIN/19 × 220	2	2	1431-566-0010-0	
71- 7	1871405	PIN, LINK LARGE	3	3	1421-502-0020-0	
71- 8	1873266	COVER, SHIELD	1	1	1426-580-2200-0	
71- 9	1873267	BOLT/M10 × 16	4	4	V201-261-0016-0	
71-10	1860404	WASHER, SP/M10	4	4	V401-160-0100-0	
71-11	1873268	HITCH, R. LH	1	1	1426-580-2000-0	
71-12	1873269	HITCH, R. RH	1	1	1426-580-2100-0	
71-13	1873270	COLLAR/15 × 25 × 11	4	4	1431-562-0010-0	
71-14	1862424	BOLT/M14 × 35 9T	2	2	V201-461-4035-0	
71-15	1862426	WASHER, SP/M14	8	8	V401-160-0140-0	
71-16	1873271	NUT/M14	6	6	V300-460-0140-0	

Fig.72 WEIGHT



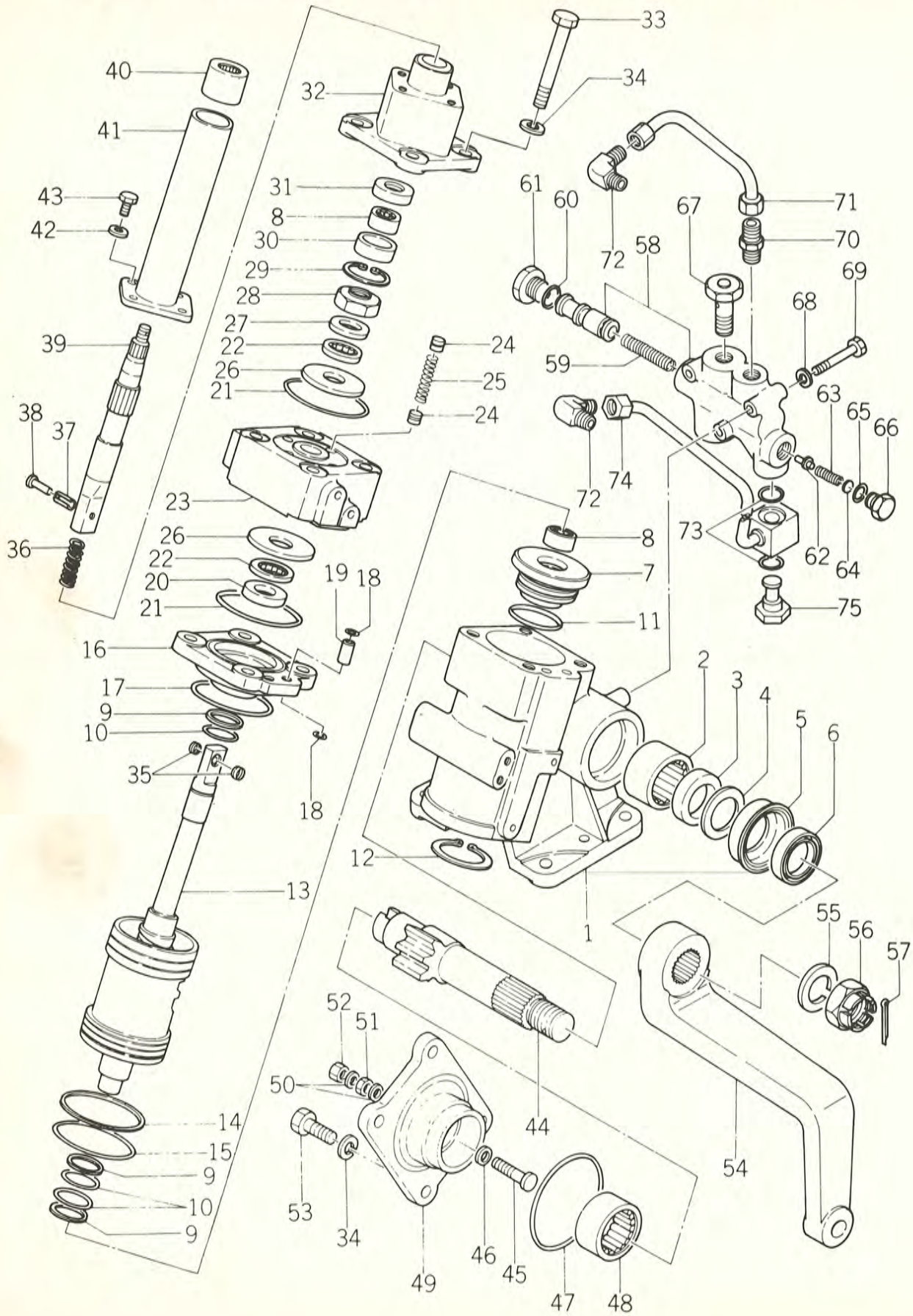
Ref.No.		Description	Q'ty		ISEKI Parts No.	Remarks
			2WD	4WD		
72- 1		WEIGHT, F. WHEEL SET	1		1423-092-2000-0	★
72- 2	1873272	• BOLT, F. WEIGHT	8		1404-922-0020-0	★
72- 3	1860306	• NUT/M12	8		V300-260-0120-0	★
72- 4	1860405	• WASHER, SP/M12	8		V401-160-0120-0	★
72- 5	1873273	• NUT, F. WEIGHT	8		1404-922-0030-0	★ For DG, DUG
72- 6	1860927	• WASHER, SP/M12	16		V401-260-0120-0	★
72- 7	1860234	• BOLT/M12 × 55	8		V201-261-2055-0	★
72- 8	1871308	• COLLAR	16		1325-930-1050-0	★
72- 9		WEIGHT R. WHEEL SET	1	1	1423-092-2100-0	★
72-10	1873275	• COLLAR, R. WEIGHT	16	16	1404-922-0060-0	★
72-11	1873276	• BOLT, R. WEIGHT SET	8	8	1404-922-1000-0	★
72-12	1873277	• WASHER, SP/M16	16	16	V401-260-0160-0	★
72-13	1873710	• SP/M16	16	16	V300-260-0160-0	★
72-14		WEIGHT, BALANCE	3	3	1421-922-0010-0	★
72-15	1861001	BOLT/M12 × 55 (S=55)	3	3	W201-261-2055-0	★
72-16	1860311	NUT/M12	3	3	V302-260-0120-0	★

Fig.73 STEERING GEAR BOX (MECHANICAL TYPE)



Ref.No.		Description	Q'ty		ISEKI Parts No.	Remarks
			2WD	4WD		
73- 0-1	1872692	BOX, STEERING ASSY	1		1426-406-2003-0	} For DG
73- 1	1873279	• BOX, GEAR ASSY	1		1426-406-2040-0	
73- 2	1873280	• BALL NUT ASSY	1		1426-406-2050-0	
73- 3	1873281	• BALL BEARING	1		1426-506-2160-0	
73- 4	1873282	• BEARING, OUT	2		1426-406-2170-0	
73- 5	1873283	• COLUMN	1		1426-406-2060-0	
73- 6	1873284	• O-RING	1		1426-406-2080-0	
73- 7	1873285	• SHIM, R. COVER SET	1		1426-406-2120-0	
73- 8	1860404	• WASHER, SP/M10	4		V401-160-0100-0	
73- 9	1873286	• BOLT/M10 × 28 9T	4		V201-461-0028-0	
73-10	1873287	• BUSH, COLUMN	1		1426-406-2030-0	
73-11	1873288	• PLUG/PT 1/4	1		V780-100-0004-0	
73-12	1873289	• SHAFT, SECTOR	1		1426-406-2180-0	
73-13	1873290	• SHIM, ADJ SCREW SET	1		1426-406-2140-0	
73-14	1873291	• SCREW, ADJ	1		1426-406-2130-0	
73-15	1873292	• COVER, SIDE	1		1426-406-2070-0	
73-16	1873293	• PACKING, SIDE COVER	1		1426-406-2110-0	
73-17	1860305	• NUT/M10	1		V300-260-0100-0	
73-18	1873294	• BOLT, SEMS/M8 × 20 9T	4		1426-406-2150-0	
73-19	1873295	• SEAL, OIL	1		1426-406-2090-0	
73-20	1873296	• ARM, PITMAN	1		1426-406-2022-0	
73-21	1873297	• WASHER, SP/M22	1		V401-160-0220-0	
73-22	1873298	• NUT, SLOTTED/M22	1		V320-260-0220-0	
73-23	1873299	• PIN, SPLIT/5 × 45	1		V500-155-0045-0	

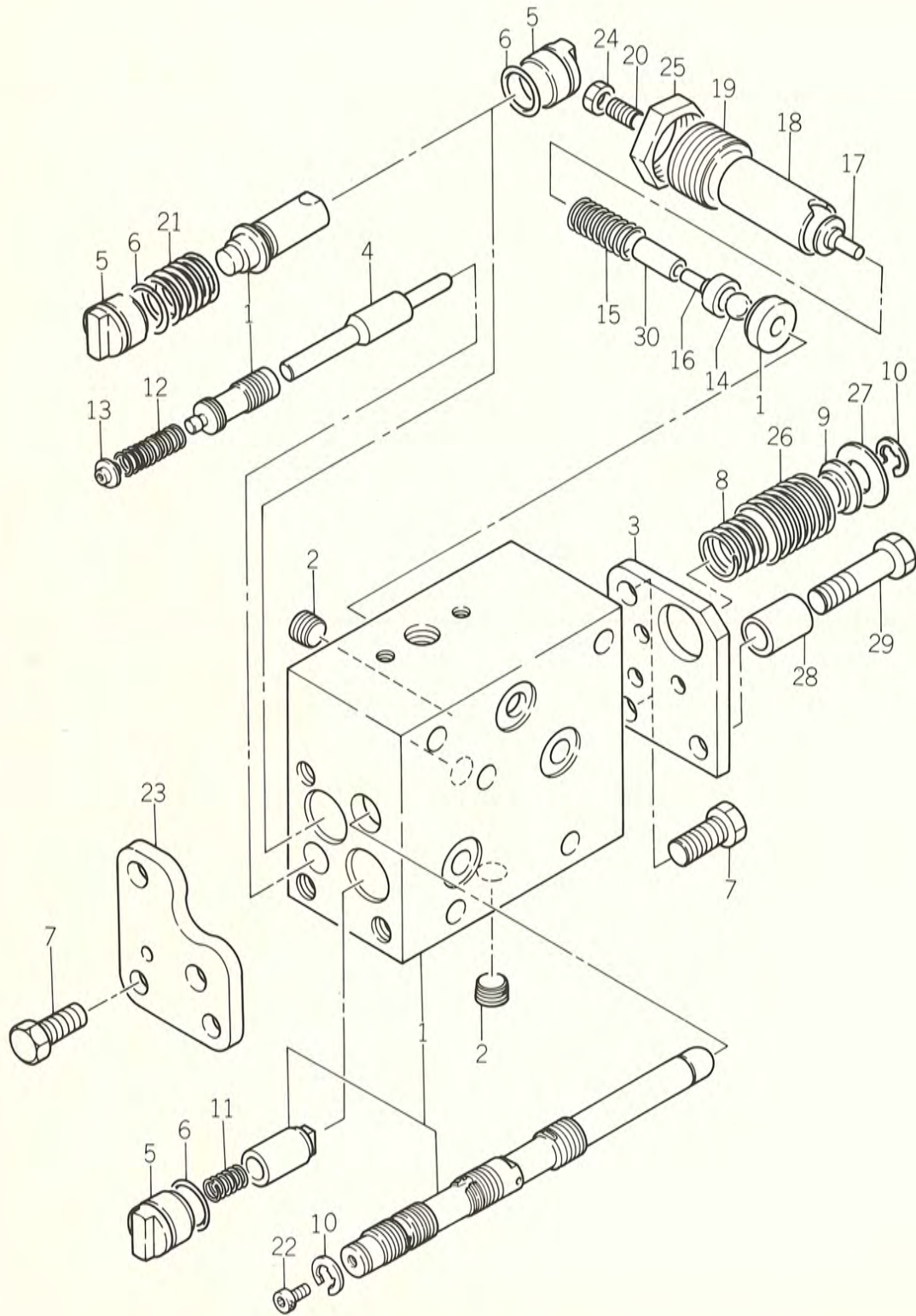
Fig.74 STEERING GEAR BOX (POWER TYPE)



Ref.No.		Description	Q'ty		ISEKI Parts No.	Remarks
			2WD	4WD		
74- 0-1	1873399	BOX, STEERING ASSY	1	1	1426-462-2002-0	Included Ref. No. 1~75 For DUG, F-DUG, LF-DUG
74- 0-2	1873400	BOX, STEERING SET	1	1	1426-426-2300-0	
74- 1	1873401	• BOX, GEAR	1	1	1426-426-2311-0	
74- 2	1873402	• BEARING, NR	1	1	1426-426-2320-0	
74- 3	1873403	• PACKING, U	1	1	1426-426-2330-0	
74- 4	1873404	• PLATE, BACK-UP	1	1	1426-426-2340-0	
74- 5	1873405	• HOLDER, OIL SEAL	1	1	1426-426-2350-0	
74- 6	1873406	• SEAL, OIL	1	1	1426-426-2360-0	
74- 7	1873407	• COVER, F.	1	1	1426-426-2370-0	
74- 8	1873408	• BEARING, NR	2	2	1426-426-2380-0	
74- 9	1873409	• RING	3	3	1426-426-2390-0	
74-10	1873410	• O-RING/S34	3	3	1426-426-2810-0	
74-11	1873411	• O-RING/G45	1	1	V721-103-1045-0	
74-12	1873412	• RING, SNAP/C50	1	1	V704-140-0500-0	
74-13	1873413	• BALL NUT ASSY	1	1	1426-426-2820-0	
74-14	1873414	• RING	1	1	1426-426-2830-0	
74-15	1873415	• O-RING/G70	1	1	V721-103-1070-0	
74-16	1873416	• COVER, CYL	1	1	1426-426-2840-0	
74-17	1873417	• O-RING/G75	1	1	V721-103-1075-0	
74-18	1873418	• O-RING/S11,2	4	4	1426-426-3090-0	
74-19	1873419	• PIPE	2	2	1426-426-3111-0	
74-20	1873420	• COLLAR, A	1	1	1426-426-3020-0	
74-21	1873421	• O-RING/S80	2	2	1426-426-3070-0	
74-22	1873422	• BEARING, THRUST	2	2	1426-426-3050-0	
74-23	1873423	• VALVE ASSY	1	1	1426-426-2851-0	
74-24	1873424	• PISTON, RETURN	8	8	1426-426-2860-0	
74-25	1873425	• SPRING	4	4	1426-426-2870-0	
74-26	1873426	• COLLAR, C	2	2	1426-426-3040-0	
74-27	1873427	• COLLAR, B	1	1	1426-426-3030-0	
74-28	1873428	• NUT, LOCK	1	1	1426-426-3060-0	
74-29	1873429	• RING, SNAP/C37	1	1	V705-140-0370-0	
74-30	1873430	• HOLDER	1	1	1426-426-2920-0	
74-31	1873431	• SEAL, OIL	1	1	1426-426-2930-0	
74-32	1873432	• COVER, R.	1	1	1426-426-2910-0	
74-33	1873433	• BOLT	4	4	1426-426-3120-0	
74-34	1860405	• WASHER, SP/M12	8	8	V401-160-0120-0	
74-35	1873435	• O-RING	2	2	1426-426-2970-0	
74-36	1873436	• SPRING	1	1	1426-426-3010-0	
74-37	1873437	• PIN, SPRING	1	1	1426-426-2980-0	
74-38	1873438	• RIVET	1	1	1426-426-2990-0	
74-39	1873439	• SHAFT, STEERING	1	1	1426-426-2960-0	
74-40	1873440	• BUSH, COLUMN	1	1	1426-426-2950-0	
74-41	1873441	• COLUMN	1	1	1426-462-2940-0	
74-42	1860403	• WASHER, SP/M8	4	4	V401-160-0080-0	
74-43	1873442	• BOLT/M8 × 20	4	4	1426-426-3140-0	

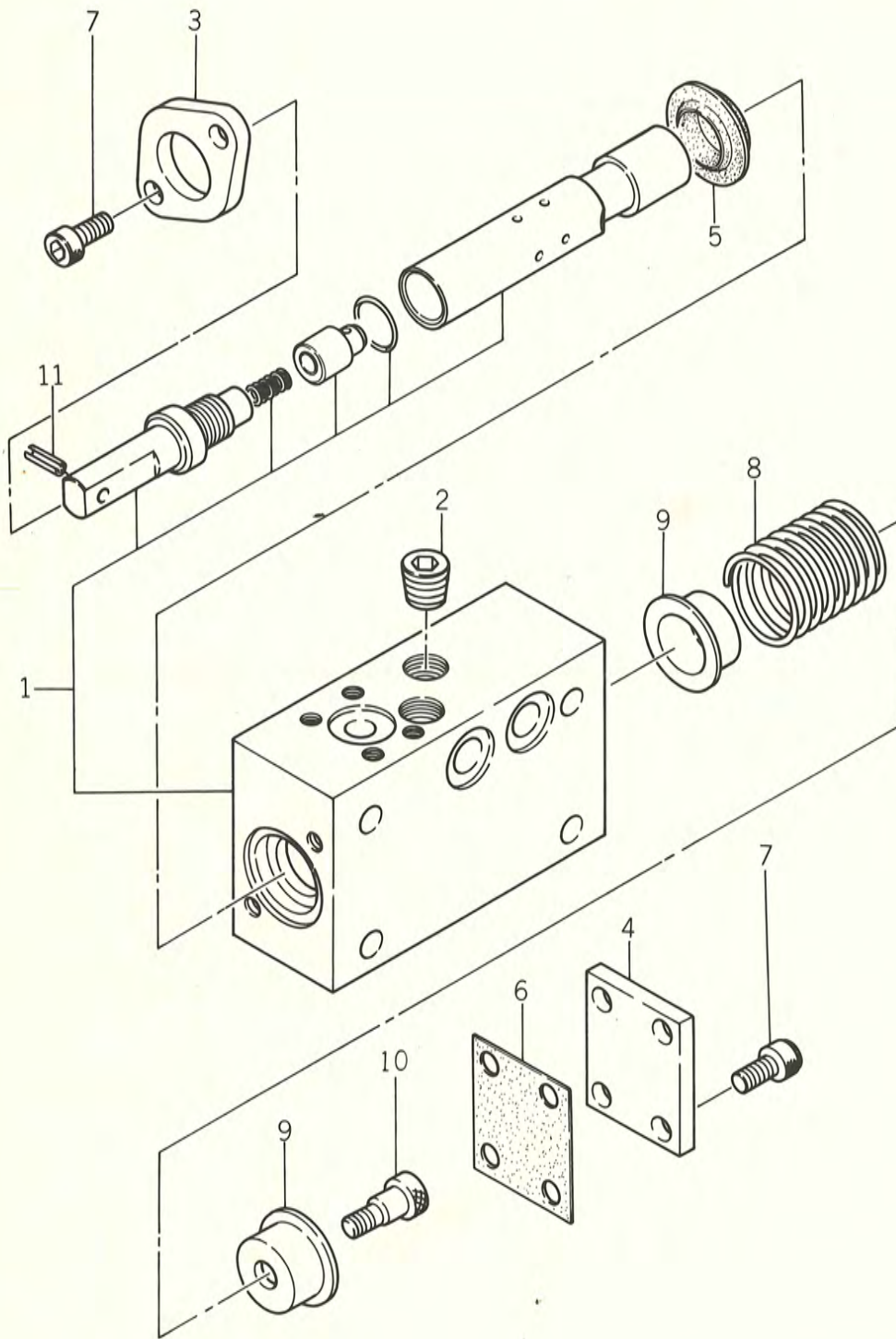
Ref.No.		Description	Q'ty		ISEKI Parts No.	Remarks
			2WD	4WD		
74-44	1873300	• SHAFT, SECTOR	1	1	1426-426-3150-0	
74-45	1873301	• SCREW, ADJ	1	1	1426-426-3160-0	
74-46	1873302	• SHIM, ADJ SCREW	1	1	1426-426-3170-0	
74-47	1873303	• O-RING/S90	1	1	1426-426-3080-0	
74-48	1873304	• BEARING, NR	1	1	1426-462-2890-0	
74-49	1873305	• COVER, SIDE	1	1	1426-426-2880-0	
74-50	1873306	• PACKING	2	2	1426-426-3210-0	
74-51	1873307	• NUT	1	1	1426-426-3180-0	
74-52	1873308	• NUT, COVER	1	1	1426-426-3190-0	
74-53	1873309	• BOLT/M12 × 32	4	4	1426-426-3130-0	
74-54	1873310	• ARM, PITMAN	1	1	1426-426-2011-0	
74-55	1873311	• WASHER, SP/M27	1	1	V401-160-0270-0	
74-56	1873312	• NUT, SLOTTED/M27	1	1	1426-426-3220-0	
74-57	1873313	• PIN, SPLIT/5 × 50	1	1	V500-155-0050-0	
74- 0-3	1873314	DIVIDER, FLOW SET	1	1	1426-426-2400-0	
74-58	1873315	• BODY	1	1	1426-426-2410-0	
74-59	1873316	• SPRING	1	1	1426-426-2420-0	
74-60	1860725	• O-RING/P20	1	1	V720-102-4020-0	
74-61	1873317	• PLUG	1	1	1426-426-2430-0	
74-62	1873318	• POPPET	1	1	1426-426-2440-0	
74-63	1873319	• SPRING	1	1	1426-426-2450-0	
74-64	1873320	• SHIM	0	0	1426-426-2470-0	
74-65	1860917	• O-RING/P14	1	1	V720-102-4014-0	
74-66	1873321	• PLUG	1	1	1426-426-2460-0	
74-67	1873322	VALVE, CHECK SET	1	1	1426-426-2700-0	
74-68	1860403	WASHER, SP/M8	3	3	V401-160-0080-0	
74-69	1873323	BOLT/M8 × 50	3	3	1426-426-2050-0	
74-70	1873324	UNION	1	1	1426-426-2030-0	
74-71	1873325	PIPE, B SET	1	1	1426-426-2600-0	
74-72	1873326	UNION	2	2	1426-426-2020-0	
74-73	1860919	O-RING/P18	2	2	V720-102-4018-0	
74-74	1873327	PIPE, A SET	1	1	1426-426-2500-0	
74-75	1873328	UNION	1	1	1426-426-2040-0	

Fig.75 CONTROL VALVE



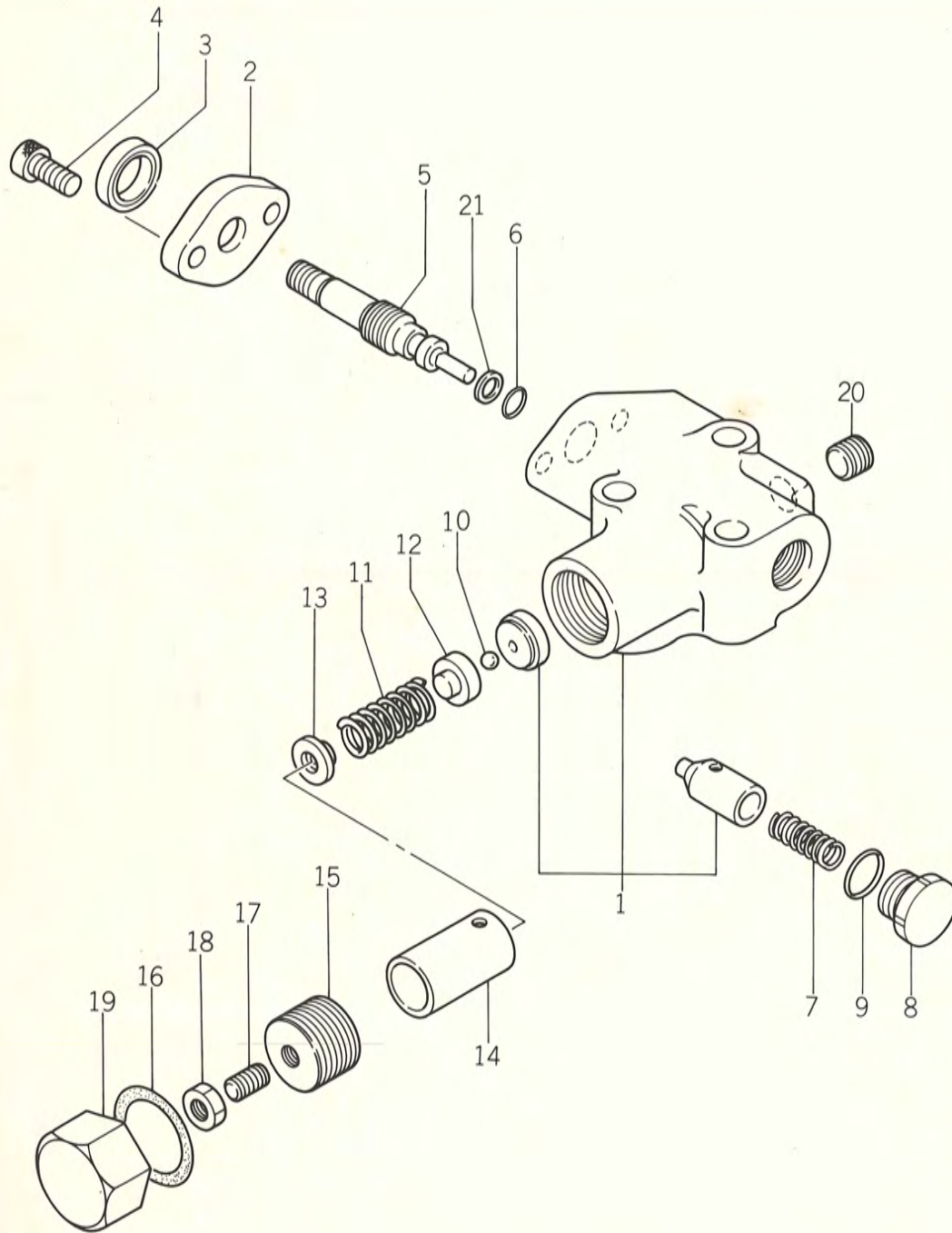
Ref.No.		Description	Q'ty		ISEKI Parts No.	Remarks
			2WD	4WD		
75- 0-1	1873329	VALVE, CONTROL ASSY	1	1	1426-574-2000-0	
75- 1	1873330	• CASE	1	1	1432-505-2011-0	
75- 2	1873331	• PLUG/PT 1/8	2	2	1432-501-2470-0	
75- 3	1873332	• COVER, A	1	1	1432-505-2020-0	
75- 4	1873333	• BUSH	1	1	1432-505-2030-0	
75- 5	1873334	• PLUG, A	3	3	1432-505-2040-0	
75- 6	1860931	• O-RING/P12 HS90	3	3	V720-112-4012-0	
75- 7	1873335	• BOLT/M8 × 16 7T	5	5	V200-360-8016-0	
75- 8	1873336	• SPRING, E	1	1	1432-505-2050-0	
75- 9	1873337	• SEAT, SPRING B	1	1	1432-505-2060-0	
75-10	1873338	• RING, SNAP/E 7	2	2	V710-140-0070-0	
75-11	1873339	• SPRING, A	1	1	1432-505-2070-0	
75-12	1873340	• SPRING, B	1	1	1432-505-2080-0	
75-13	1873341	• SEAT, SPRING D	1	1	1432-505-2090-0	
75-14	1873342	• BALL	1	1	1432-505-2110-0	
75-15	1873343	• SPRING, C	1	1	1432-505-2120-0	
75-16	1873344	• SEAT, SPRING A	1	1	1432-505-2131-0	
75-17	1873345	• SEAT, SPRING C	1	1	1432-505-2141-0	
75-18	1873346	• BODY	1	1	1432-505-2151-0	
75-19	1873347	• PLUG, RELIEF	1	1	1432-505-2160-0	
75-20	1873348	• SCREW, ADJ	1	1	1432-505-2170-0	
75-21	1873349	• SPRING, D	1	1	1432-505-2180-0	
75-22	1873350	• BOLT/M4 × 8	1	1	V220-440-4008-0	
75-23	1873351	• COVER, B	1	1	1432-505-2190-0	
75-24	1862967	• NUT/M6	1	1	V302-260-0060-0	
75-25	1873353	• NUT	1	1	1432-505-2210-0	
75-26	1873354	• SPRING, F	1	1	1432-505-2220-0	
75-27	1873355	• SEAT, SPRING E	1	1	1432-505-2230-0	
75-28	1873356	• COLLAR	1	1	1426-574-2010-0	
75-29	1873357	• BOLT/M8 × 30	1	1	V200-360-8030-0	
75-30	1873358	• SLEEVE	1	1	1432-505-2240-0	

Fig.76 SUB CONTROL VALVE



Ref.No.		Description	Q'ty		ISEKI Parts No.	Remarks
			2WD	4WD		
76- 0-1	1873112	VALVE, SUB CONTROL ASSY	2	2	1426-584-2000-0	
76- 1	1873360	• CASE	2	2	1426-584-2010-0	
76- 2	1873361	• PLUG	4	4	1426-584-2020-0	
76- 3	1873362	• COVER, A	2	2	1426-584-2030-0	
76- 4	1873363	• COVER, B	2	2	1426-584-2040-0	
76- 5	1873364	• PACKING, A	2	2	1426-584-2050-0	
76- 6	1873365	• PACKING, B	2	2	1426-584-2060-0	
76- 7	1873366	• BOLT/M6 × 12	12	12	V220-240-6012-0	
76- 8	1873367	• SPRING	2	2	1426-584-2070-0	
76- 9	1873368	• SEAT, SPRING	4	4	1426-584-2080-0	
76-10	1873369	• STOPPER	2	2	1426-584-2090-0	
76-11	1862963	• PIN, SPRING/W 5 × 18	2	2	V580-140-5018-0	

Fig.77 RETURN CHECK VALVE



Ref. No.		Description	Q'ty		ISEKI Parts No.	Remarks
			2WD	4WD		
77- 0-1	1873038	VALVE, RETURN CHECK ASSY	1	1	1426-571-2000-0	
77- 1	1873371	• CASE	1	1	1432-501-2310-0	
77- 2	1873372	• COVER	1	1	1432-501-2320-0	
77- 3	1873373	• SEAL, OIL	1	1	1432-501-2330-0	
77- 4	1873374	• BOLT/M6 × 12 9T	2	2	V220-440-6012-0	
77- 5	1873375	• SCREW, ADJ/M8	1	1	1432-501-2340-0	
77- 6	1873376	• O-RING/P6	1	1	V720-112-4006-0	
77- 7	1873377	• SPRING A	1	1	1432-501-2350-0	
77- 8	1873378	• PLUG	1	1	1432-501-2360-0	
77- 9	1860931	• O-RING/P12	1	1	V720-112-4012-0	
77-10	1873379	• BALL	1	1	1432-501-2370-0	
77-11	1873380	• SPRING B	1	1	1432-501-2380-0	
77-12	1873381	• SEAT, SPRING A	1	1	1432-501-2390-0	
77-13	1873382	• SEAT, SPRING B	1	1	1432-501-2410-0	
77-14	1873383	• BODY	1	1	1432-501-2420-0	
77-15	1873384	• VALVE, RELIEF	1	1	1432-501-2430-0	
77-16	1873385	• PACKING	1	1	1432-501-2440-0	
77-17	1873386	• SCREW ADJ/M6	1	1	1432-501-2450-0	
77-18	1862967	• NUT/M6	1	1	V302-260-0060-0	
77-19	1873387	• NUT, CAP	1	1	1432-501-2460-0	
77-20	1873331	• PLUG/PT 1/8	1	1	1432-501-2470-0	
77-21	1873389	• RING, BACK-UP	1	1	1432-501-2480-0	

Fig.78 MARK SYSTEM

