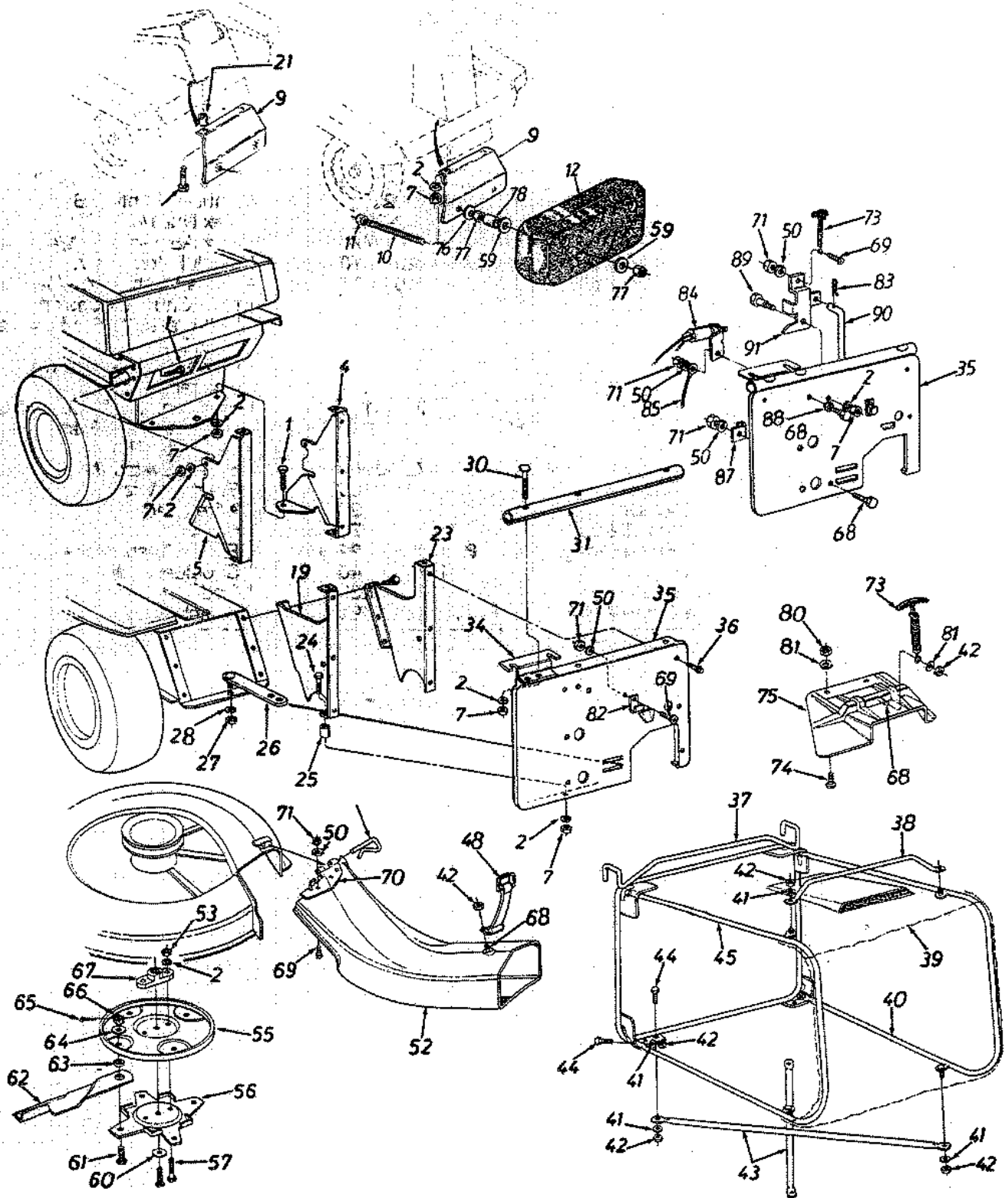


Models 038 and 056

OPTIONAL WHEEL WEIGHT KIT (056)

REF. NO.	PART NO.	DESCRIPTION	QTY.
1	16810	Wheel Weight Snap Ring	2
2	750-0527	Spacer	6
3	723-0414	Wheel Weight	2
4	736-0119	Lock Washer 5/16" I.D.	6
5	712-0267	Hex Nut 5/16-18 Thd.	6
—	753-0476	Wheel Weight Kit Comp.	6

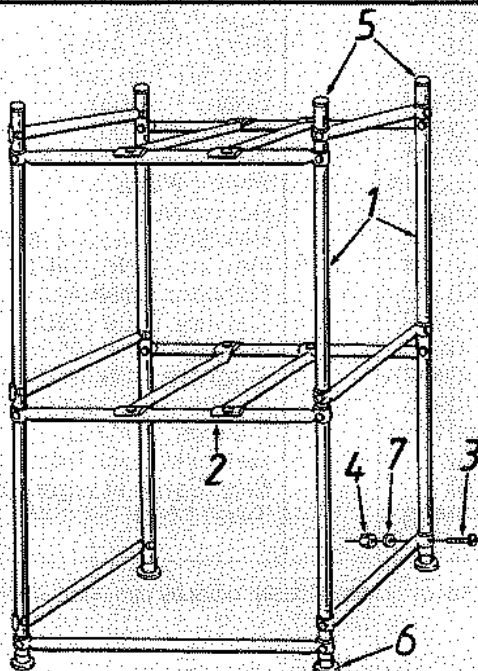


PARTS LIST FOR GRASS CATCHER KIT MODELS 038 AND 056 FOR 30" REAR DISCHARGE DECKS

REF. NO.	PART NO.	CODE	DESCRIPTION	REF. NO.	PART NO.	CODE	DESCRIPTION
1	710-0376		Hex Bolt 5/16-18 x 1" Lg.*†	53	712-0123		Hex Nut 5/16-24 Thd.
2	736-0119		L-Wash. 5/16" I.D.*	55	742-0265		Upper Blade Disc
4	15970A		Catcher Support Brkt.—R.H.†	56	742-0279		Lower Blade Disc
5	15971A		Catcher Support Brkt.—L.H.†	57	710-0888		Hex Bolt 5/16-24 x 1.0" Lg. (Grade 5)
7	712-0267		Hex Nut 5/16-18 Thd.*†	58	710-0152		Hex Bolt 3/8-24 x 1.0" Lg.
9	15540		Counterweight Support Brkt.†	59	736-0322		Fl-Wash. .45" I.D.†
10	711-3373		Stud 7/16-14 x 5-5/8" Lg.†	60	736-0356		Bell-Wash. .39" I.D. x 1.38"
11	712-0290		Hex Nut 7/16-14 Thd.†	61	738-0587		Shld. Bolt .50" Dia. x .36" (Spec.)
12	723-0367		Counterweight 38 lbs.†	62	742-0266		30" Blade Tip (4-Req'd.)
19	15363C		Catcher Support Brkt.—L.H.††	63	750-0604		Spacer .505" I.D. x .75" O.D. x 1.25" Lg.
21	711-0242		Spacer .380" I.D. x 1" O.D. x .32" Lg.†	64	736-0179		Fl-Wash. .5" I.D. x 1.25" O.D.
23	15364C		Catcher Support Brkt.—R.H.††	65	714-0111		Cotter Pin 3/32" Dia. x 1" Lg.*
24	710-0442		Hex Bolt 5/16-18 x 1.5" Lg.	66	712-0114		Hex Slotted Nut 1/2-20 Thd.
25	750-0434		Spacer .38" I.D. x .47" O.D. x 1" Lg.	67	748-0300		Blade Adapter
26	16602		Hitch Bracket Ass'y.	68	710-0289		Hex Bolt 1/4-20 x .5" Lg.*
27	712-0461		Hex Jam Nut 1/2-13 Thd.	69	710-0286		Truss Mach. Scr. 1/4-20 x .5" Lg.*
28	736-0921		L-Wash. 1/2" I.D.*	70	15921		Chute Mounting Brkt.
30	710-0405		Curved Carriage Bolt 5/16-18 x 1.75" Lg.	71	712-0287		Hex Nut 1/4-20 Thd.*
31	749-0659		Grass Catcher Support Tube	72	710-0776A		Hex AB-Tap Scr. 1/4 x .62" Lg.
34	15995A		Grass Catcher Support Plate	73	723-0370		Hook Latch Ass'y.
35	15923A		Rear Discharge Panel	74	710-0286		Truss Mach. Scr. 1/4-20 x .50"
36	710-0599		Hex Wash. Hd. Self-Tap Scr. 1/4-20 x .5" Lg.	75	731-0721		R.D. Chute Extension
37	15991A		Grass Catcher Frame Ass'y.	76	736-0439		Bell-Wash. 7/16" I.D. x 1.25" O.D.†
38	749-0653		Grass Catcher Handle	77	712-3019		Hex Nut 7/16-14 Thd.†
39	764-0210A		Grass Catcher Bag	78	750-0499		Spacer†
40	15992		Catcher Side Frame Ass'y.—R.H.	81	736-0142		Fl-Wash. .281" I.D. x .5" O.D.
41	736-0175		Spring-Wash. .27" I.D. x .57" O.D. x .025	82	16606		Retainer Hook Brkt.
42	712-0107		Hex L-Nut 1/2-20 Thd.	83	714-0104		Int. Cotter Pin
43	749-0651		Bottom Cross Brace	84	725-0269		Safety Switch (N.C.)
44	710-0258		Hex Bolt 1/4-20 x .62" Lg.*	85	725-0765		Electric Wire
45	15993		Catcher Side Frame Ass'y.—L.H.	86	725-1697		Wire Lead
48	723-0383		Retainer Strap	87	726-0272		Clamp
50	736-0329		L-Wash. 1/4" I.D.*	88	736-0222		Ext. L-Wash. 1/4" I.D.
52	631-0006		R.D. Banana Chute Ass'y.	89	738-0140		Shoulder Bolt
				90	747-0633		Rod
				91	783-0298		Switch Brkt.

† Model 038—Used on Rear Engine Riders Only.

†† Model 056—Used on Front Engine Lawn Tractors Only.



**DISPLAY
STAND**

**Model No.
190-059-000**

**PARTS LIST FOR MODEL 059
DISPLAY STAND**

REF. NO.	PART NO.	DESCRIPTION	QTY.
1	749-0617	Vertical Post	4
2	749-0619	Cross Brace	15
3	710-0578	Truss Mach. Screw 1/4-20 x 1-1/2" Lg.	32
4	712-0287	Hex Nut 1/4-20 Thd.	32
5	726-0117	1" Tubing Plug (Installed)	(4)
6	726-0202	1" Swivel Guide (Installed)	(4)
7	736-0329	Lock Washer 1/4" I.D.	32