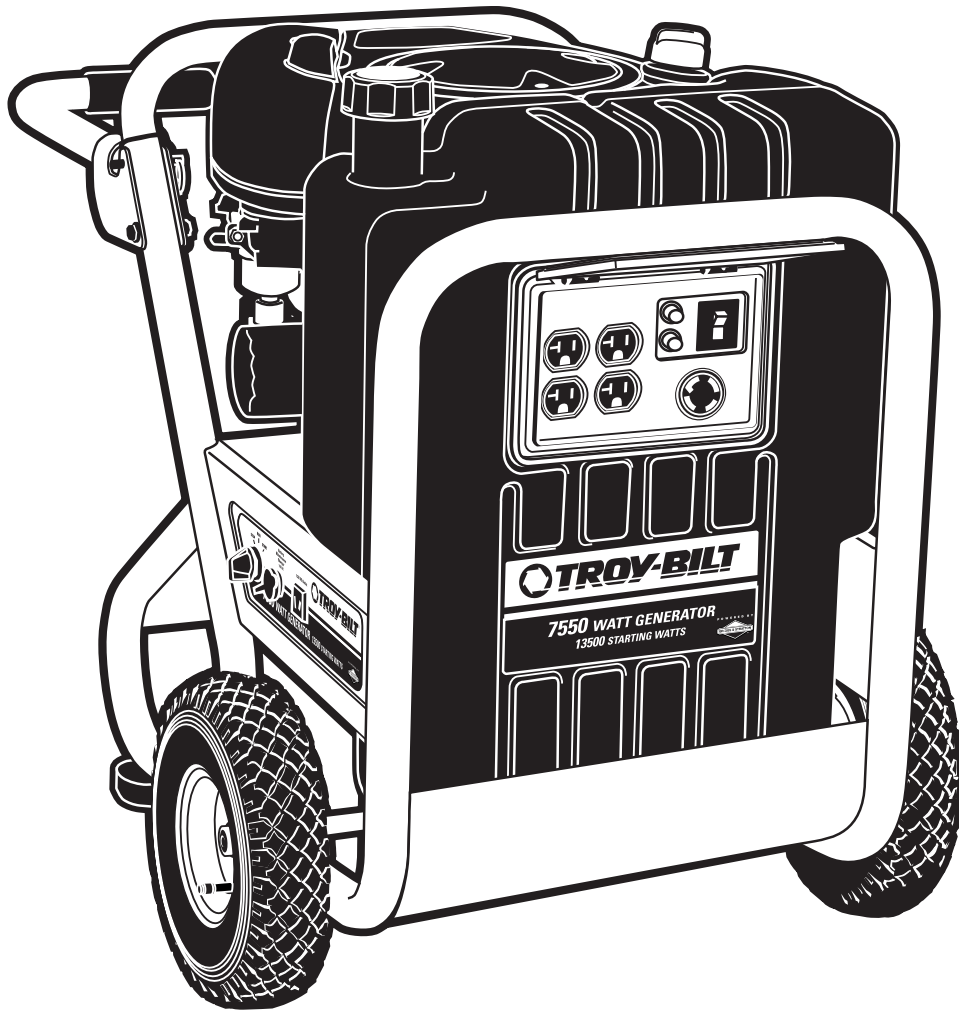




Illustrated Parts List

Portable Generator Model 01925



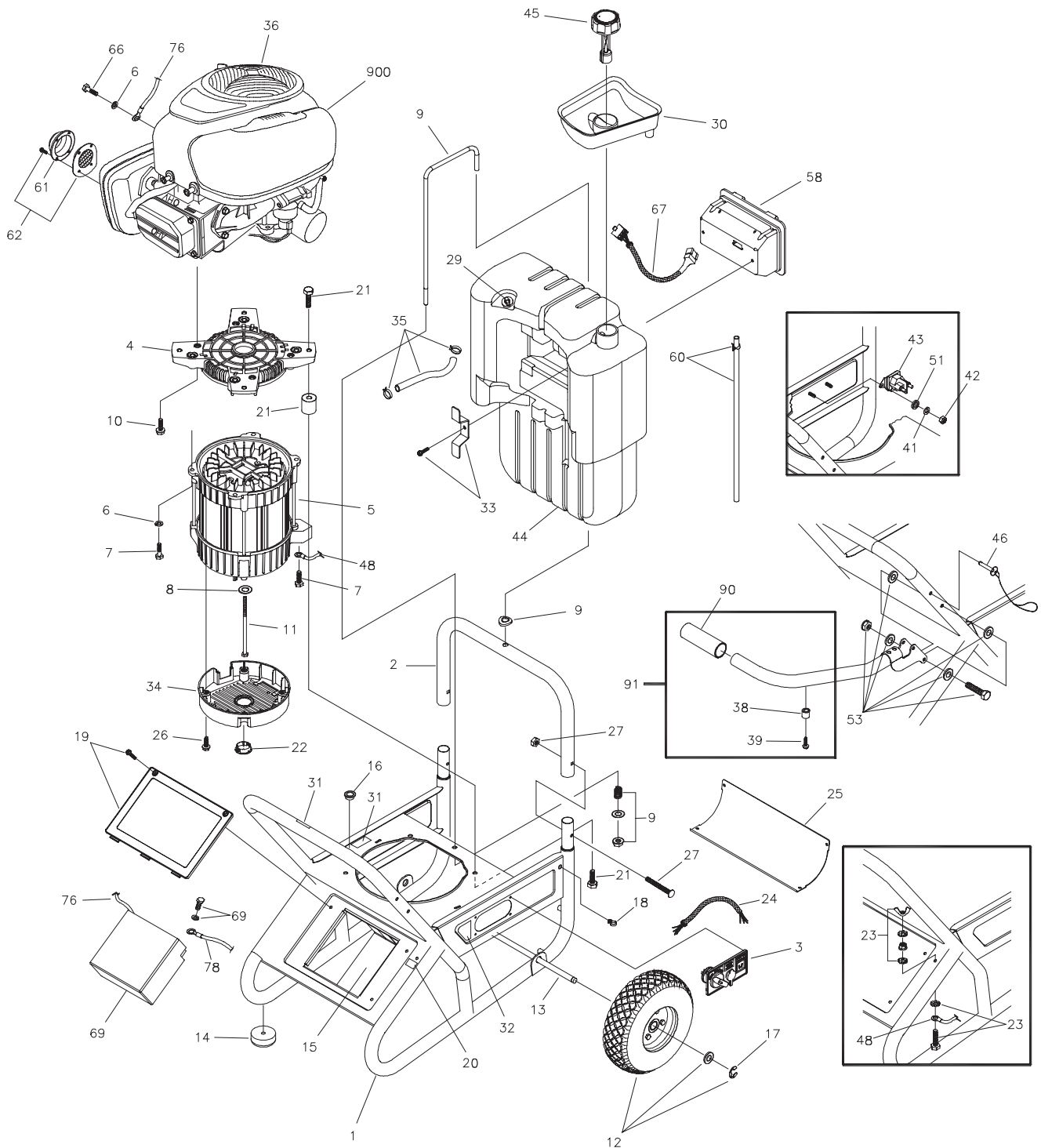
Troy-Bilt® is a registered trademark of Troy-Bilt, LLC and is used under license to Briggs & Stratton Power Products.

Troy-Bilt® es una marca registrada de Troy-Bilt, LLC y se usa abajo licencia a Briggs & Stratton Power Products.

BRIGGS & STRATTON POWER PRODUCTS GROUP, LLC
JEFFERSON, WISCONSIN, U.S.A.

Exploded Views and Parts Lists

EXPLODED VIEW - MAIN UNIT



Exploded Views and Parts Lists

PARTS LIST - MAIN UNIT

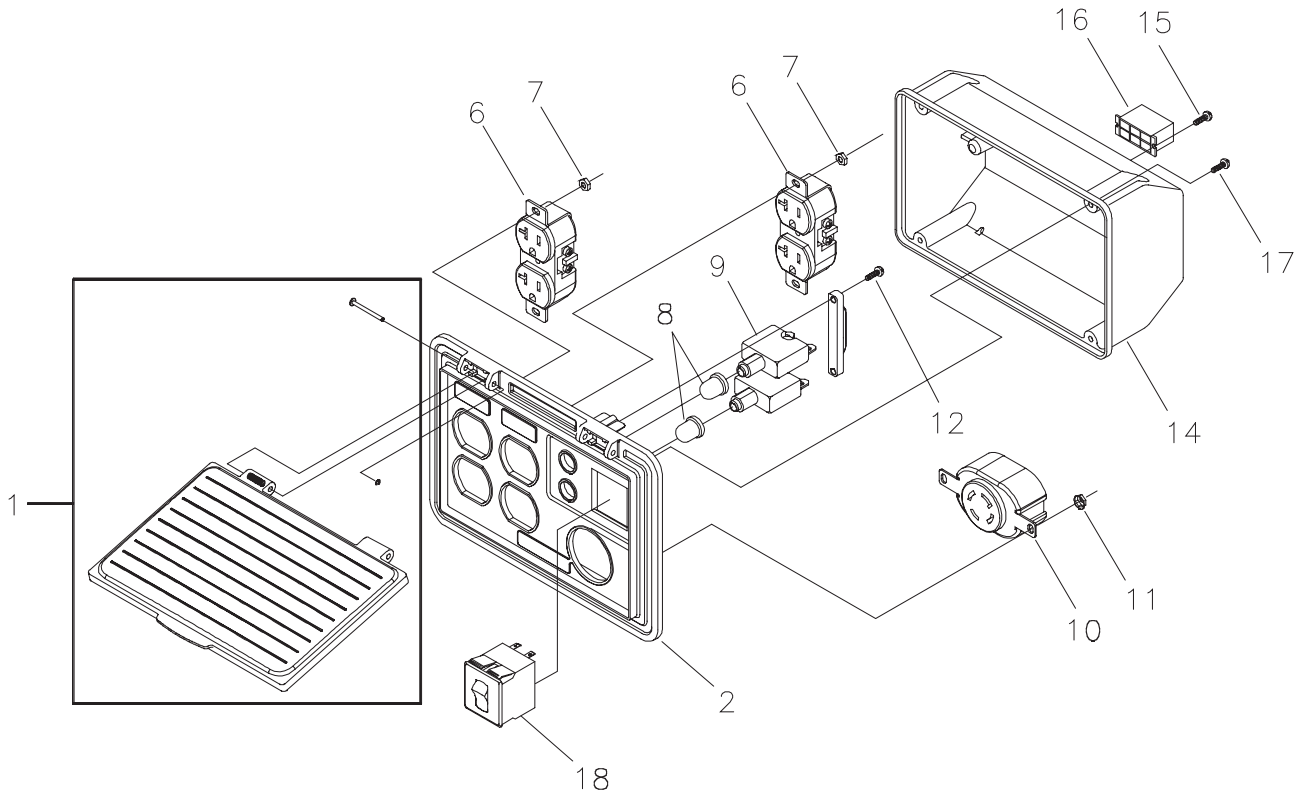
Item	Part #	Description	Item	Part #	Description
1	P191821GS	CRADLE	41	*	WASHER, Lock, 1/4 - M6
2	P193086GS	CRADLE, Top	42	*	NUT, 1/4-20
3	NSP	ASSY, DC Control Panel (see page 5)	43	691656	SOLENOID/BRACKET
4	191793GS	ADAPTER, Engine	44	193345GS	ASSY, Tank, Fuel w/Decals
5	NSP	ASSY, Alternator (see page 6)	45	191826GS	CAP, Fuel Gauge
6	*	WASHER, Lock, 5/16 - M8	46	B4135GS	PIN, Handle Release
7	*	HHCS, 5/16-18 x 1	48	192810GS	HARNESS, Ground
8	96796GS	WASHER, 8.4 x 22.2 x 3	51	*	WASHER, Flat, 1/4
9	194726GS	KIT, Mounting Rod w/Hardware	53	194724GS	KIT, Folddown Handle Hardware
10	75246GS	TAPTITE, 3/8 - 16 x 1-1/4	58	192277GS	ASSY, Control Panel (see page 4)
11	187365HGS	HHCS, 5/16-24 x 9.84	60	194730GS	KIT, Overflow Fuel Hose w/Clamp
12	194509GS	KIT, Wheel	61	396903	DEFLECTOR, Muffler
13	191267GGS	AXLE	62	392390	ARRESTOR, Spark with Screws
14	192553GS	KIT, Vibration Mount Hrdwre (2 sets)	66	*	HHCS, 5/16-18 x 3/4
15	193320GS	STRIP, Foam 1/4 x 74 x 230	67	192809GS	HARNESS, AC
16	186173GS	BUSHING, Snap	69	193463GS	BATTERY, 12V with Hardware
17	191265GS	E-RING, 5/8"	76	185939LGS	CABLE, Blk, Battery to Engine
18	192940GS	CLIP, Retainer, Fuel Hose	78	189302EGS	CABLE, Red, Battery to Solenoid
19	194722GS	COVER, Billboard with Hardware	90	192477GS	GRIP, Handle
20	B4986GS	DECAL, Ground	91	P193316GS	ASSY, Handle (Includes Item 90)
21	194727GS	KIT, Vibration Mount	900	NSP	ENGINE
22	191190GS	CAP, Bolt, Rotor			
23	194533GS	KIT, Grounding Hardware			
24	195558GS	HARNESS, DC			
25	193344GS	KIT, PLT, Skid, SRV			
26	74908GS	TAPTITE, M5 - 0.8 x 10			
27	194065GS	KIT, Handle Hardware			
30	192921GS	SHIELD, Fuel Fill			
31	191436GS	DECAL, Caution Hot Muffler			
32	193504GS	DECAL, Battery Instructions			
33	194721GS	KIT, Retaining Brckt with Hardware			
34	191029GS	COVER, RBC, Plastic			
35	194265GS	KIT, Fuel Hose w/Clamps			
36	192251GS	GUARD, Recoil			
38	186569GS	BUMPER, Recess			
39	*	PPHMS, #10 x 1/2			

Parts Not Illustrated

65787GS	CABLE, Battery Charge
B4177GS	CHARGER, Battery
191824GS	TRAY, Oil Drain
195594GS	MANUAL, Owner's
MS5936	MANUAL, Engine
BB3061GS	OIL, Bottle
188971GS	CORD, Extension
189302FGS	CABLE, Red, Solenoid to Starter
A3746GS	ASSY, Holder Fuse
193347GS	KIT, Battery Term, Hardware
193346GS	KIT, Decals
195247GS	DECAL, Warning
192808GS	DECAL, Instructions Fuel Level

Exploded Views and Parts Lists

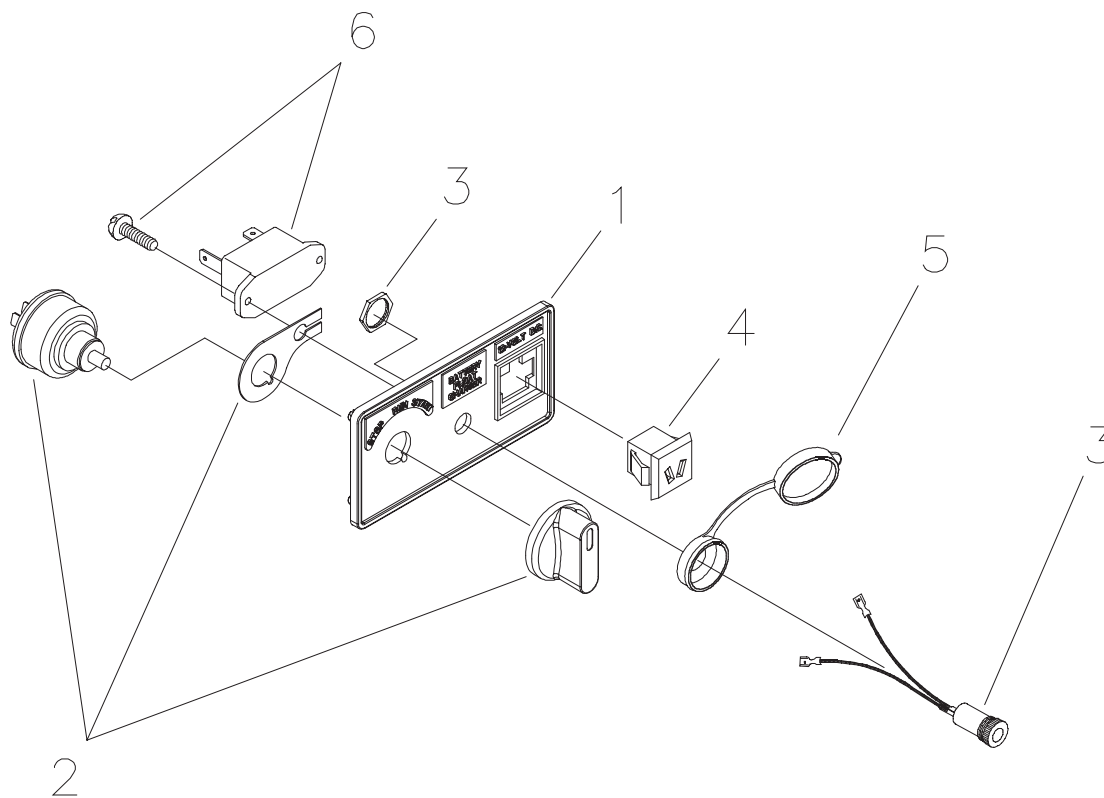
AC CONTROL PANEL EXPLODED VIEW & PARTS LIST



Item	Part #	Description
1	195112GS	ASSY, Control Lid Panel
2	192273BGS	CONTROL PANEL, Compact
6	68759GS	OUTLET, 120V, 20A, Duplex
7	*	NUT, Palnut, Pushnut, 5/32
8	84198GS	CAP, Breaker, Circuit
9	75207GS	BREAKER, Circuit
10	43437GS	OUTLET, 120/240V Locking, 30A
11	*	NUT, Palnut, Pushnut, 3/16
12	*	PPHMS, 3.5 x 18
13	93857GS	BAR, Retaining
14	192274GS	BOX, Rear Cover
15	82308GS	SCREW, Tapping, STC 3 x 18
16	22694GS	HOUSING, Receptacle
17	192241GS	SCREW, Tapping, 3.5 x 14
18	192785GS	BREAKER, Circuit, 30A

Exploded Views and Parts Lists

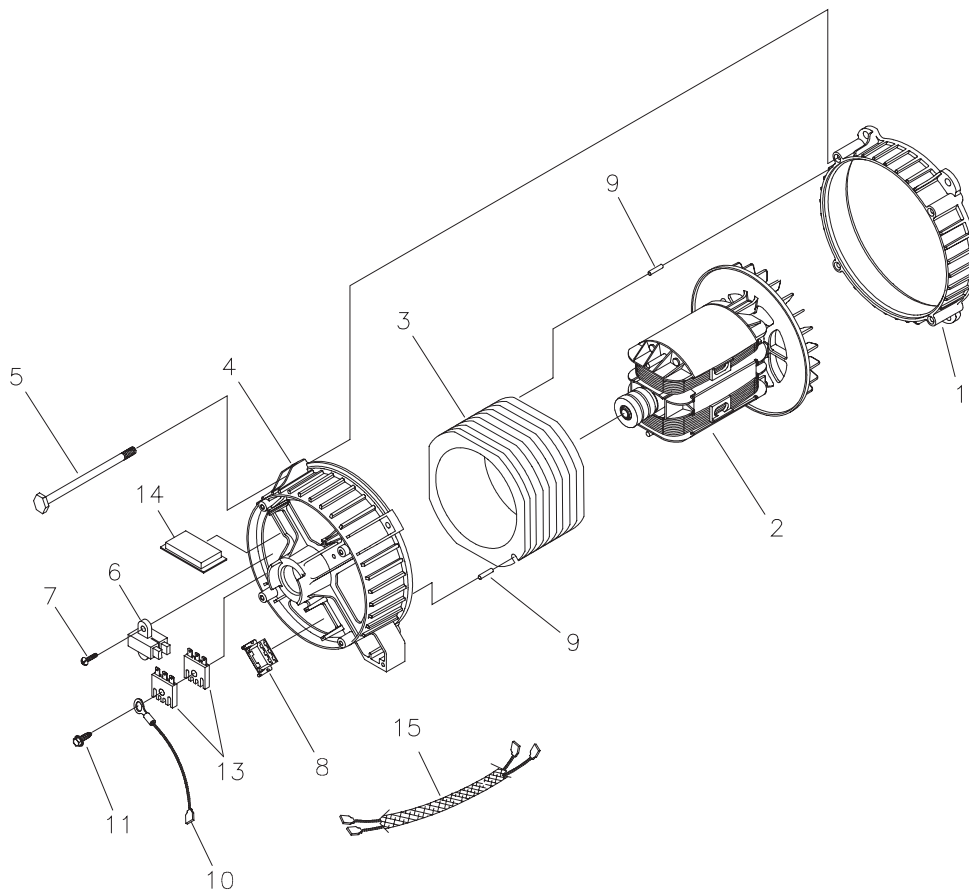
DC CONTROL PANEL EXPLODED VIEW & PARTS LIST



Item	Part #	Description
1	192367GS	PANEL, DC Control
2	195635GS	KIT, SRS, Switch with Knob
3	192466GS	ASSY, Jack, Coaxial, DC
4	90418GS	OUTLET, 12VDC, Snap
5	186133GS	CAP, Battery Charge
6	194839GS	KIT, Circuit Breaker

Exploded Views and Parts Lists

ALTERNATOR EXPLODED VIEW & PARTS LIST



Item	Part #	Description
1	186059GS	ADAPTER, Mounting, Alternator
2	192171GS	ROTOR
3	192186AGS	STATOR
4	193336GS	RBC, (with O-Ring p/n 189197GS)
5	86308KGS	HHCS, M6 - 1.0 x 140 SEMS
6	66386GS	ASSY, Holder, Brush
7	66849GS	TAPTITE, M5 - 0.8 x 16
8	22694GS	RECEPTACLE, 6 pin
9	81917GS	PIN, Roll, 4mm x 10
10	193428AGS	ASSY, Wire, Ground
11	66849CGS	TAPTITE, M5 x 0.8 x 3.0
13	65795GS	RECTIFIER
14	195011GS	BOARD, Circuit, System Control, Micro
15	193074GS	HARNESS, Wire DC Charge