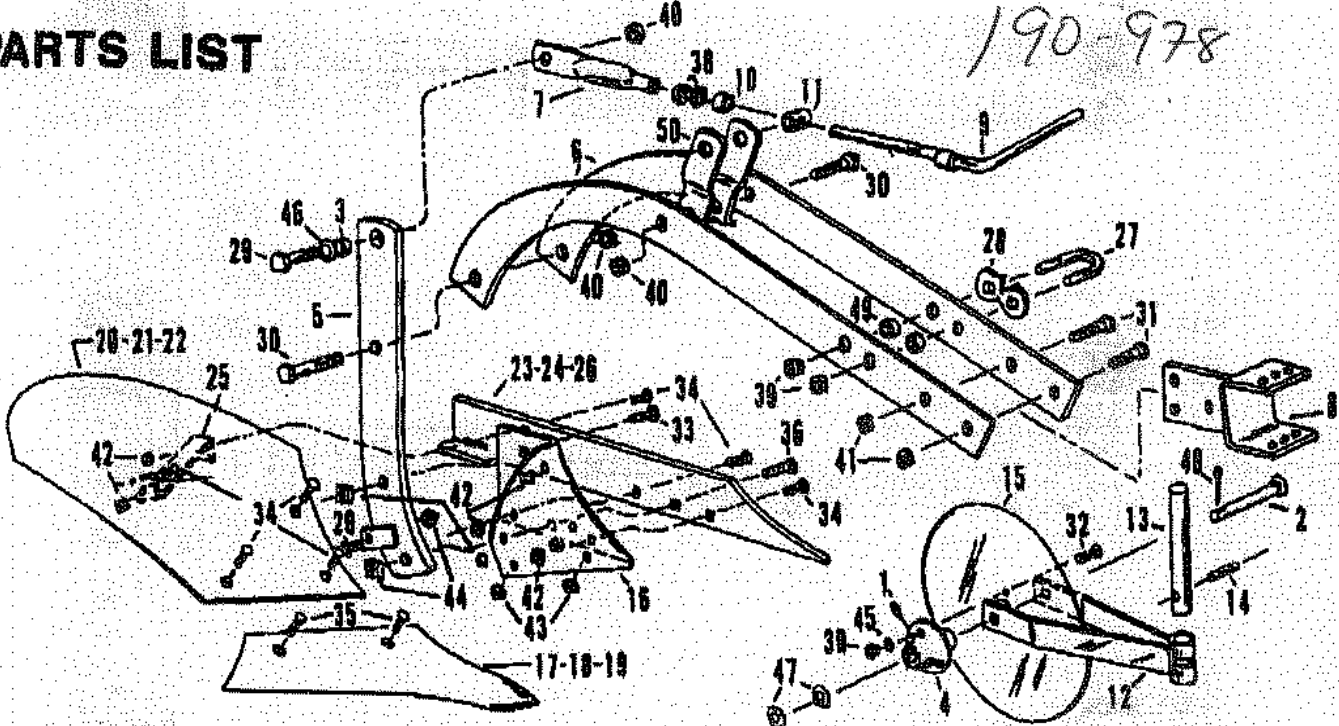


PARTS LIST

190-978



REF. NO.	PART NO.	DESCRIPTION	REF. NO.	PART NO.	DESCRIPTION
1	D-128P	Lube fitting	26	P-287	Landside -- 12"
2	P-172P	Axle	27	P-386P	"U" Bolt
3	P-234	Bushing	28	P-387	Coupler clamp
4	P-250	Hub coupler	29	1M1624P	Bolt, hex 1/2 x 1 1/2
5	P-251	Standard assy.	30	1M1628P	Bolt, hex 1/2 x 1 3/4
6	P-254	Beam Half	31	1M2028P	Bolt, hex 5/8"
7	P-256P	Threaded tube	32	10M1012P	Bolt, carr. 5/16 x 3/4
8	P-257	Hitch Bracket	33	10M1624P	Bolt, carr. 1/2 x 1 1/2
9	P-260	Crank	34	15M1216	Bolt, plov 3/8 x 1
10	P-262	Spacer	35	15M1416	Bolt, plov 7/16 x 1
11	P-598	Trunnion	36	15M1632P	Bolt, plov 1/2 x 2
12	P-265	Fork	37	30M2000P	Nut, hex 5/8
13	P-269	Coupler standard	38	31M2000P	Nut, hex jam 5/8
14	P-270	Drive pin	39	B-1674P	Nut hex lock 5/16
15	P-272	Coupler blade	40	B-1677P	Nut, hex lock 1/2
16	P-273	Frog	41	B-1678P	Nut, hex lock 5/8
17	P-274	Share -- 8"	42	35M1200	Nut, square 3/8
18	P-275	Share -- 10"	43	35M1400	Nut, square 7/16
19	P-276	Share -- 12"	44	35M1600P	Nut, square 1/2
20	P-277	Moldboard -- 8"	45	45M1111	Washer, plain 5/16"
21	P-278	Moldboard -- 10"	46	45M1822P	Washer, plain 9/16
22	P-279	Moldboard -- 12"	47	45M2121P	Washer, plain 5/8
23	P-280	Landside -- 8"	48	50M0420P	Pin, cotter
24	P-281	Landside -- 10"	49	P-597	Spacer
25	P-285	Brace -- 12" Plov Only	50	P-596	Trunnion bracket

LIMITED WARRANTY

We warrant each Brinly Product sold by us to be free from manufacturing defects in normal service for a period of one (1) year commencing with delivery to the original retail user.

Our obligation under this warranty is expressly limited, at our option, to the replacement or repair at Brinly-Hardy Company, (340 E. Main Street, Louisville, Ky. 40202) of such part or parts as inspection shall disclose to have been defective. This warranty does not apply to defects caused by damage or unreasonable use (including failure to provide reasonable and necessary maintenance) while in the possession of the consumer.

WE SHALL NOT BE LIABLE FOR CONSEQUENTIAL DAMAGES OF ANY KIND, including but not limited to, consequential labor costs or transportation charges in connection with the replacement or repair of defective parts.

ANY IMPLIED OR STATUTORY WARRANTIES, INCLUDING ANY WARRANTY OF MERCHANTABILITY OR FITNESS FOR A PARTICULAR PURPOSE, ARE EXPRESSLY LIMITED TO THE DURATION OF THIS WRITTEN WARRANTY. We make no other express warranty, nor is anyone authorized to make any in our behalf.

For parts and service, see your local dealer. Use part NAME and NUMBER when ordering.

BRINLY-HARDY COMPANY

P.O. Box 1116, Louisville, Ky. 40201

PRINTED IN U.S.A.