

ASSEMBLY (continued)

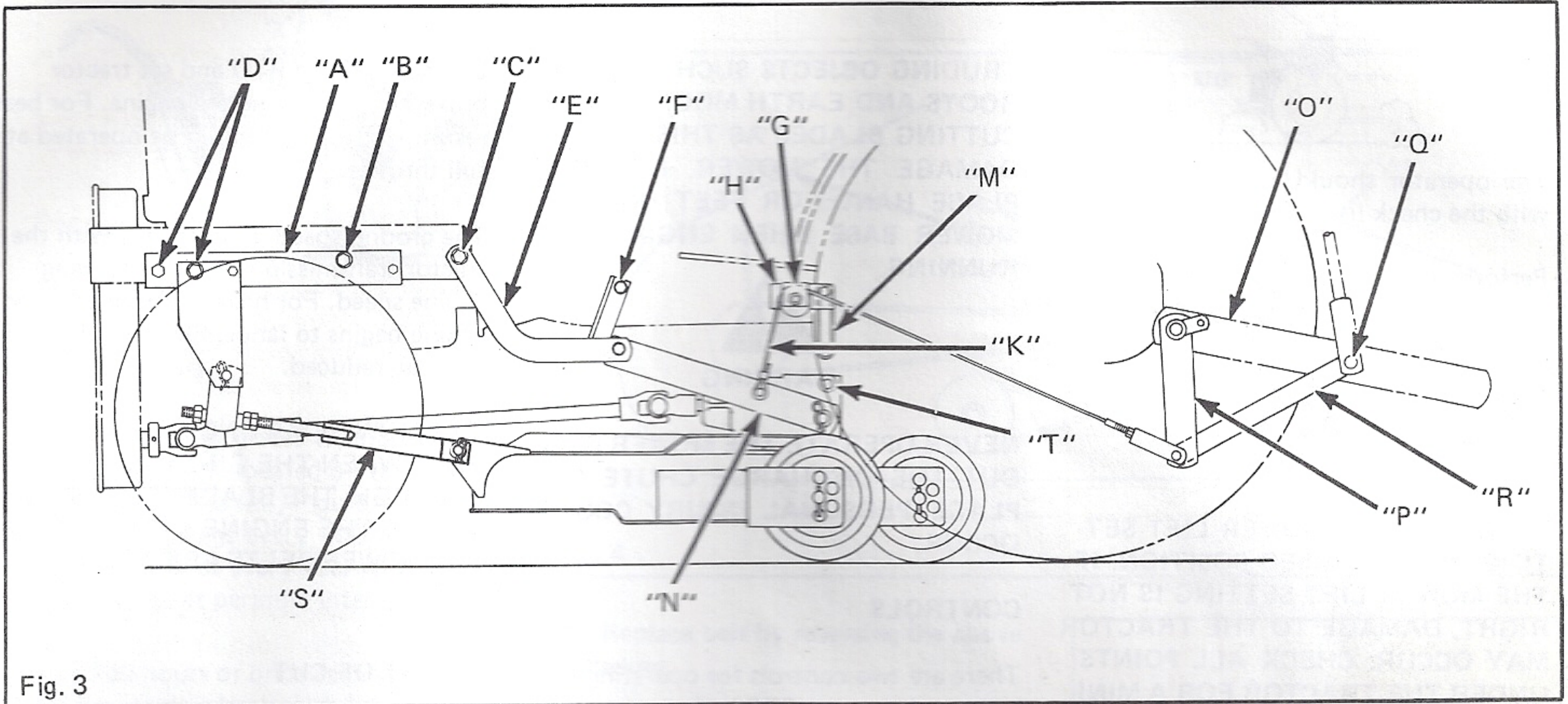


Fig. 3

BEFORE OPERATION



Recheck all nuts and bolts for tightness after initial run-in of two (2) to four (4) hours of operation.



CAUTION

BEFORE USING MOWER REMOVE STONES, WIRE, ETC. FROM AREA TO BE MOWED. AVOID STRIKING PROTRUDING OBJECTS SUCH AS PIPES, ROOTS AND EARTH MOUNDS WITH CUTTING BLADES AS THIS COULD DAMAGE THE MOWER. NEVER PLACE HANDS OR FEET UNDER MOWER BASE WHEN ENGINE IS RUNNING OR PTO ENGAGED. NEVER OPERATE MOWER WITHOUT DISCHARGE CHUTE IN PLACE.

HEIGHT OF CUT

The cutting height is regulated by the gauge wheels. Raise the mower with hydraulic lift to adjust the height of the gauge wheels. The hydraulic lift must be in the down position when mowing to allow the mower to float. When cutting tall grass or in questionable areas, it is advisable to cut at a higher level and in a lower speed range than on an average lawn since the power requirements are greater. The mower level can be raised for these conditions, with the hydraulic lift.

MOWER TRANSPORT

The mower can be locked in its highest position for transporting. Assemble wire loop (M) Figure 3 over pin (T) of mower and secure with klik pin.

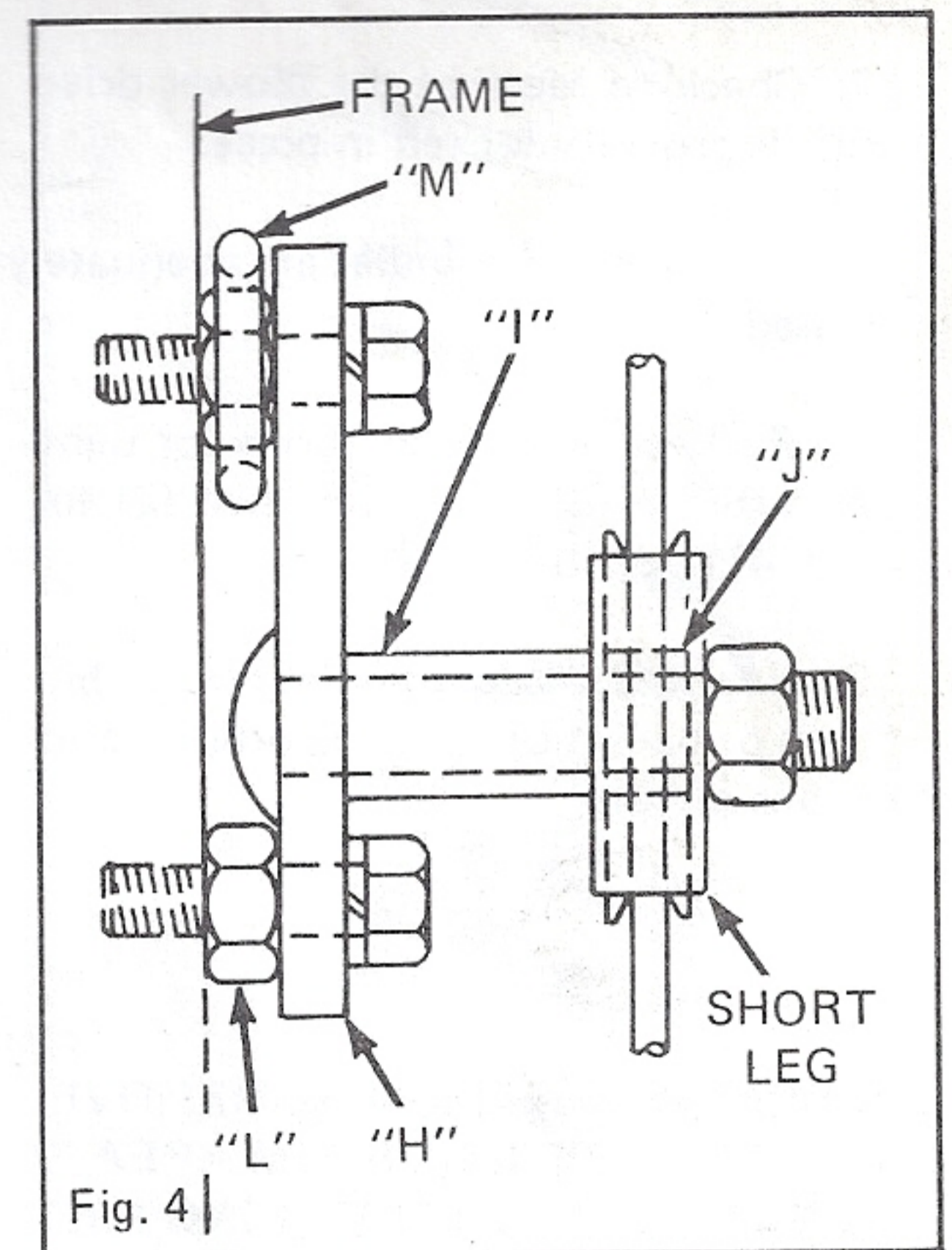


Fig. 4