
Bolens[®]

**Riding Mower
With
28 Inch Mower**

Model 528

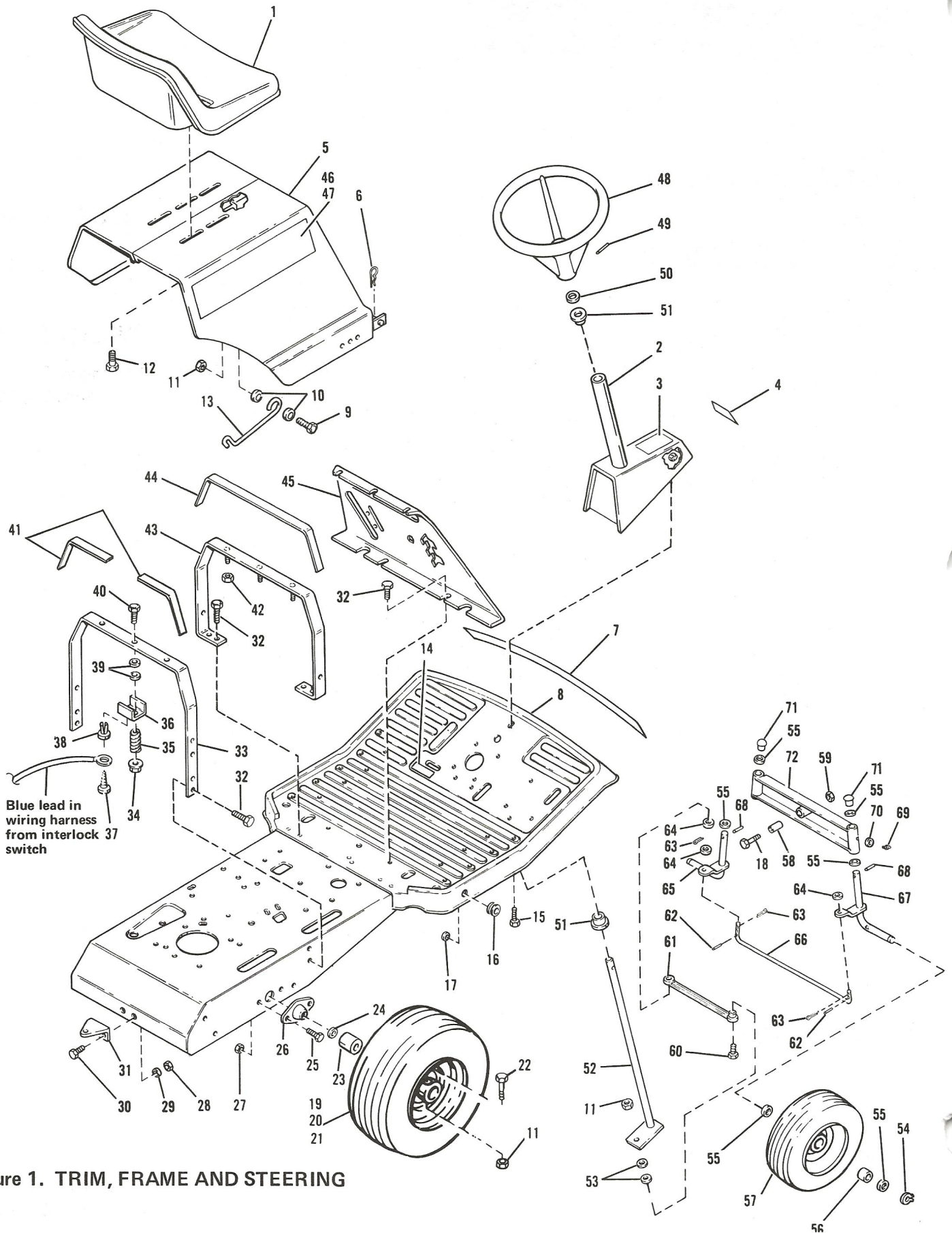
Serial Numbers 0200101
thru 0399999

Model 628

Serial Numbers 0100101
thru 0199999

Parts List

BOLENS RIDING MOWER



MODELS 528 AND 628

| REF. NO. | PART NO. | DESCRIPTION | NO. REQ'D. | REF. NO. | PART NO. | DESCRIPTION | NO. REQ'D. |
|----------|-----------|---------------------------------------|------------|----------|-----------|-------------------------------------|------------|
| 1 | 1735824 | Seat | 1 | 35 | 1713167 | Compression Spring | 1 |
| 2 | 1735885 | Column Support Assy | 1 | 36 | 1736045 | Spring Bracket | 1 |
| 3 | 1736872 | Caution Decal | 1 | 37 | 1736392 | Screw, No. 8-18 x 5/8 | 1 |
| 4 | 1736876 | FMC Decal | 1 | 38 | 1736384 | Snap Nut, No. 8 | 1 |
| 5 | 1735987 | Hood Assembly (2)(3) | 1 | 39 | ● 1107381 | Flat Washer, 1/4 | 2 |
| | 1742082 | Hood Assembly (1) | 1 | 40 | ● 1100807 | Hex Screw, 1/4-20 x 2 | 1 |
| 6 | ● 1100349 | Pin 1/8 x 3/4 | 2 | 41 | 1736393 | Seal | 2 |
| 7 | 1736873 | Logo Decal | 1 | 42 | 1186391 | Flange Nut, 5/16-18. | 3 |
| 8 | 1736059 | Frame Assembly (2). | 1 | 43 | 1735965 | Front Support Assembly. | 1 |
| | 1738614 | Frame Assembly (3) | 1 | 44 | 1736228 | Seal | 1 |
| | 1742079 | Frame Assembly (1). | 1 | 45 | 1737042 | Control Console (2) | 1 |
| 9 | ● 1186331 | Flange Screw, 5/16-18 x 1. | 1 | | 1738612 | Control Console (1)(3) | 1 |
| 10 | 1705905 | Wave Washer. | 2 | 46 | 1736686 | R.H. Bolens Decal | 1 |
| 11 | ● 1110107 | Locknut, 5/16-18 | 3 | 47 | 1736687 | L.H. Bolens Decal | 1 |
| 12 | ● 1186327 | Flange Screw, 5/16-18 x 1/2 | 4 | 48 | 1727418 | Steering Wheel | 1 |
| 13 | 1736162 | Hood Support. | 1 | 49 | 1185279 | Roll Pin 1/4 x 2-1/4. | 1 |
| 14 | 1736784 | Brake Lock Decal (2) | 1 | 50 | 1708012 | Flat Washer | 1-3 |
| | 1739763 | Brake Lock Decal (3)(1) | 1 | 51 | 1723994 | Steering Bearing | 2 |
| 15 | ● 1186329 | Flange Screw, 5/16-18 x 3/4 | 3 | 52 | 1735821 | Steering Shaft Assembly. | 1 |
| 16 | 1725702 | Flip Grommet. | 2 | 53 | ● 1107382 | Flat Washer 5/16. | 2 |
| 17 | ● 1107383 | Flat Washer, 3/8 | 2 | 54 | 1185649 | Retaining Ring | 2 |
| 18 | ● 1100075 | Hex Screw 1/2-13 x 2-1/4. | 1 | 55 | 1708550 | Washer | 8 |
| 19 | 1718086 | Valve Assembly. | 2 | 56 | 1735749 | Spacer. | 2 |
| 20 | 1736835 | Wheel Only | 2 | 57 | 1735731 | Wheel & Tire Assembly. | 2 |
| 21 | 1727902 | Tire, 4.80/4.00 x 8 | 2 | 58 | 1723925 | Axle Pivot Shaft | 1 |
| 22 | 1723995 | Hex Screw, 5/16-18 x 2 | 2 | 59 | ● 1110110 | Locknut, 1/2-13 | 1 |
| 23 | 1736183 | Spacer. | 2 | 60 | ● 1100808 | Hex Screw 5/16-18 x 1-1/4 | 1 |
| 24 | 1700821 | Thrust Washer. | AR | 61 | 1735807 | Rod End Assembly | 1 |
| 25 | ● 1100046 | Hex Screw, 3/8-16 x 1 | 4 | 62 | 1704692 | Roll Pin 1/4 x 1 | 2 |
| 26 | 1715941 | Pillow Block Bearing (2) | 2 | 63 | ● 1100350 | Cotter Pin 1/8 x 1 | 3 |
| | 1741143 | Pillow Block Bearing (1)(3) | 2 | 64 | 1705108 | Flat Washer | 3 |
| 27 | ● 1186393 | Flange Nut, 3/8-16 | 4 | 65 | 1735809 | L.H. Spindle Assembly. | 1 |
| 28 | ● 1186261 | Hex Nut, 1/2-13 | 2 | 66 | 1736055 | Tie Rod. | 1 |
| 29 | ● 1100245 | Flat Washer, 1/2 | 2 | 67 | 1735808 | R.H. Spindle Assembly. | 1 |
| 30 | ● 1100054 | Hex Screw, 1/2-13 x 1 | 2 | 68 | 1185348 | Roll Pin 1/4 x 1-1/4. | 2 |
| 31 | 1736145 | Hitch | 1 | 69 | 1185803 | Grease Fitting. | 2 |
| 32 | 1724491 | Flange Screw, 5/16-18 x 3/4 | 10 | 70 | 1805368 | Washer | 2 |
| 33 | 1738615 | Rear Hood Support | 1 | 71 | 1726358 | Rubber Tip | 2 |
| 34 | 1734398 | Lock Nut, 1/4-20 | 1 | 72 | 1723924 | Front Axle Assembly. | 1 |

● Common Hardware - Purchase Locally (Grade 5 where applicable)

Model 528

(2) Serial Numbers 0200101 thru 0299999

(3) Serial Numbers 0300101 thru 0399999

Model 628

(1) Serial Numbers 0100101 thru 0199999

BOLENS RIDING MOWER

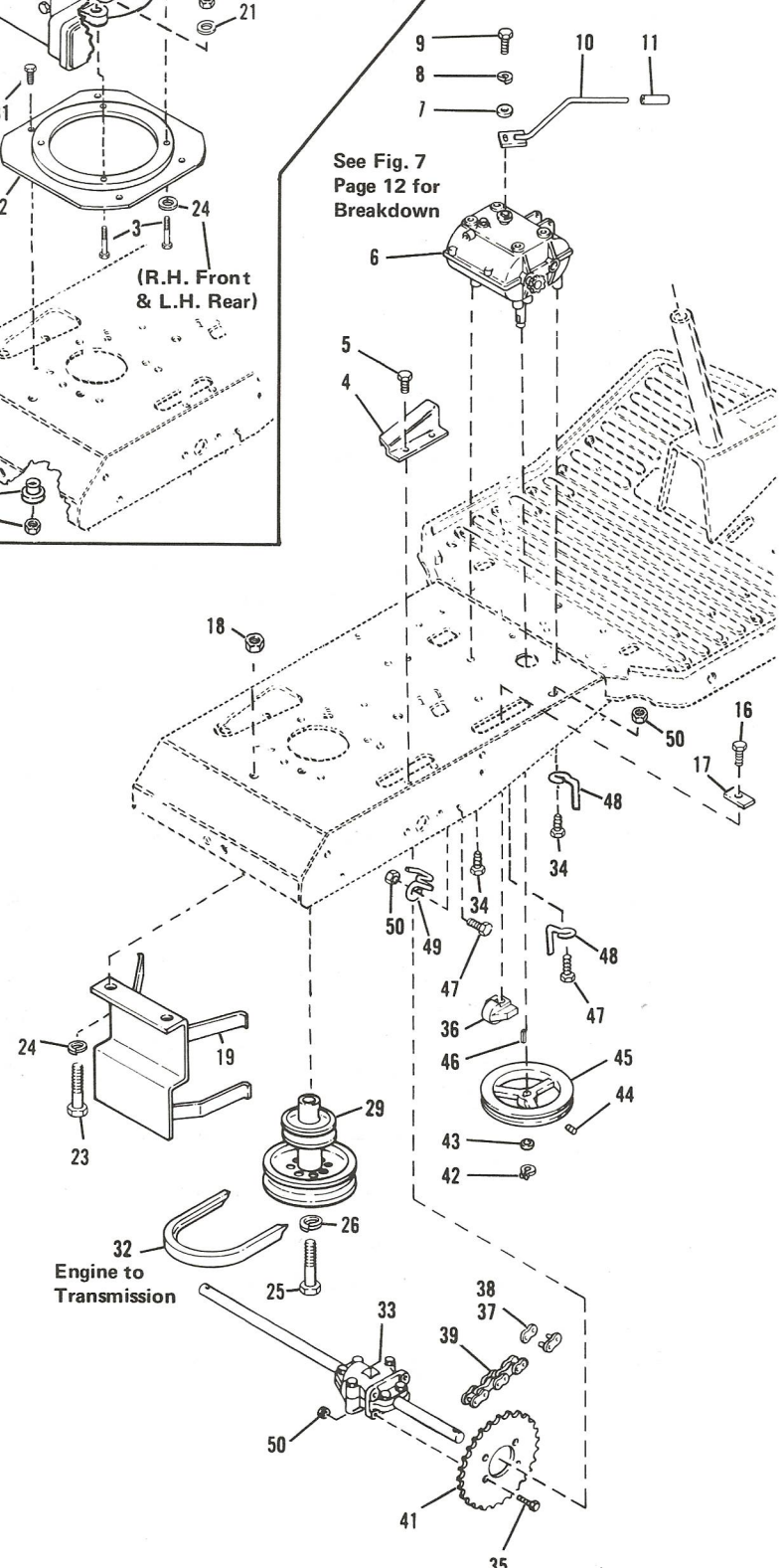
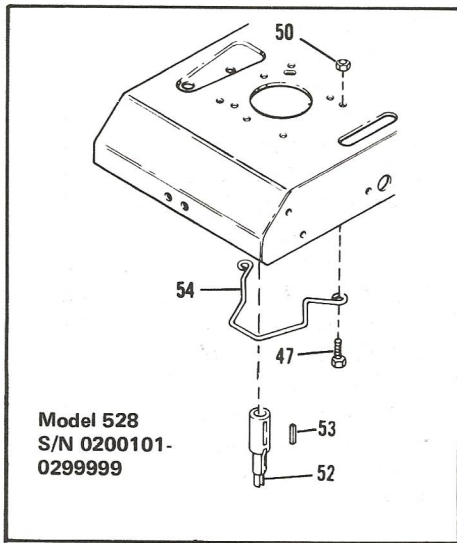
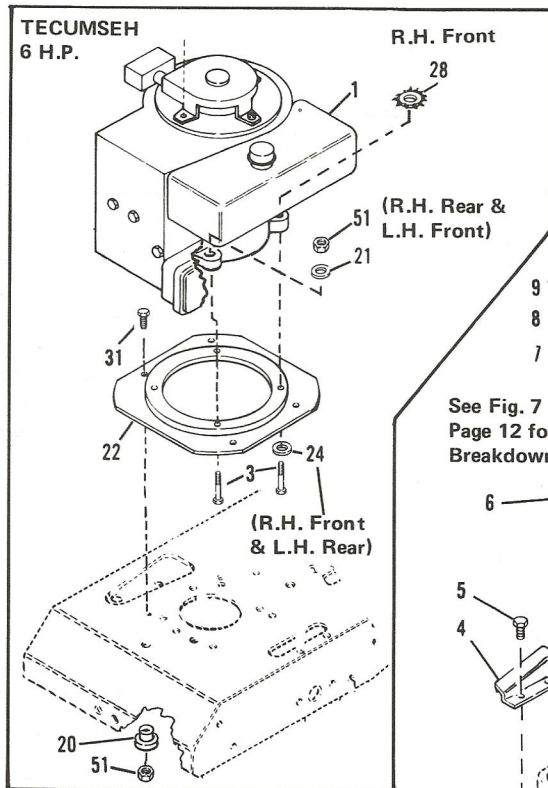
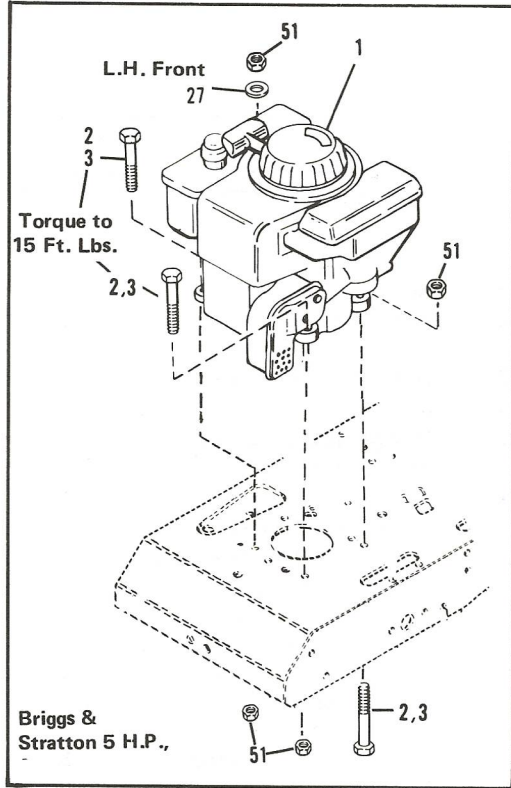


Figure 2. ENGINE, DRIVE, and FRONT AXLE

| REF. NO. | PART NO. | DESCRIPTION | NO. REQ'D. | REF. NO. | PART NO. | DESCRIPTION | NO. REQ'D. |
|----------|------------|---|------------|----------|-----------|--|------------|
| 1 | * | Briggs & Stratton Engine | | 27 | ● 1107382 | Flatwasher 5/16 (528) | 1 |
| | ** | Model 130902-0606 (528) . | 1 | 28 | 1110645 | Flatwasher (628) | 1 |
| | | Tecumseh Engine Model | | 29 | 1737434 | Engine Pulley (528)(3) | 1 |
| | | V60-70368J (628) | 1 | | 1738229 | Engine Pulley (628) | 1 |
| 2 | ● 1100799 | Hex Screw, 5/16-18 x 1-1/2 (528) (Rear) | 2 | 30 | ● 1100808 | Hex Screw, 5/16-18 x 1-1/4. | 1 |
| | ● 1100779 | Hex Screw, 5/16-18 x 1-3/4 (528) (Front) | 2 | 31 | ● 1100044 | Hex Screw, 5/16-18 x 3/4 (628) | 4 |
| 3 | ● 1100045 | Hex Screw, 5/16-18 x 1 (628) (R.H. Front & L.H. Rear) . . | 2 | 32 | 1731719 | V-Belt 51 9/32" | 1 |
| | ● 1100799 | Hex Screw, 5/16-18 x 1-1/2 (628) (L.H. Front & R.H. Rear) | 2 | 33 | 1737035 | Differential Assembly (2) . . | 1 |
| 4 | 1736224 | Chain Guard | 1 | | 1742652 | Differential Assembly (3) . . | 1 |
| 5 | 1724492 | Flange Screw, 1/4-20 x 1/2 . | 2 | | ** | Differential Assembly, See Breakdown page 13 (628) . . | 1 |
| 6 | ** | Transmission (See breakdown Page 12) | 1 | 34 | ● 1186328 | Flange Screw, 5/16-18 x 5/8 | 3 |
| 7 | ● 11073381 | Flat Washer, 1/4 | 1 | 35 | ● 1186331 | Flange Screw, 5/16-18 x 1. . | 4 |
| 8 | ● 1100241 | Lockwasher, 1/4 | 1 | 36 | 1735795 | Chain Tightener | 1 |
| 9 | ● 1100002 | Hex Screw, 1/4-28 x 3/4. . . | 1 | 37 | 0182087 | Half Link. | 1 |
| 10 | 1736894 | Shift Handle Assembly | 1 | 38 | 1185013 | Connector Link. | 1 |
| 11 | 1715685 | Grip | 1 | 39 | 1724259 | Drive Chain | 1 |
| 16 | 1724491 | Flange Screw, 5/16-18 x 3/4 | 1 | 40 | ● 1110107 | Locknut, 5/16-18 | 1 |
| 17 | 1736068 | Chain Tightening Plate | 1 | 41 | 1724266 | 48T Sprocket (528) | 1 |
| 18 | 1186391 | Flange Nut 5/16-18 (628) . . | 2 | | 1742800 | 48T Sprocket (628) | 1 |
| 19 | 1738997 | Belt Guide Assembly (528) . | 1 | 42 | 1118808 | Retaining Ring | 1 |
| | 1742803 | Belt Guide Assembly (628) . | 1 | 43 | 1107386 | Flat Washer, 5/8 | 1 |
| 20 | 1726192 | Bushing Adaptor (628) | 4 | 44 | 1185596 | Set Screw, 5/16-18 x 5/16. . | 2 |
| 21 | ● 1107382 | Flat Washer (628) | 2 | 45 | 1736489 | Transmission Sheave | 1 |
| 22 | 1724133 | Adaptor (628) | 1 | 46 | 1104436 | Woodruff Key, 3/16 x 3/4. . | 1 |
| 23 | 1742653 | Flange Lock Screw 5/16-17 x 1-1/2 (628) | 2 | 47 | ● 1186329 | Flange Screw, 5/16-18 x 3/4 | 2 |
| 24 | ● 1100242 | Lockwasher 5/16 (628) | 2 | 48 | 1728938 | Guide Belt | 2 |
| 25 | ● 1111709 | Hex Screw 3/8-24 x 7/8 | 1 | 49 | 1736046 | Chain Guide | 1 |
| 26 | ● 1100243 | Lockwasher 3/8 | 1 | 50 | ● 1186391 | Flange Nut, 5/16-18. | 6 |
| | | | | 51 | ● 1732499 | Locknut, 5/16-18 | 6 |
| | | | | 52 | 1735887 | Shaft Extension (528) | 1 |
| | | | | 53 | 1736052 | Key, 1/4 x 1/2, 1-1/2 (528). | 1 |
| | | | | 54 | 1736047 | Belt Guide (528) | 1 |

* Purchase parts from your local Briggs & Stratton Outlet (See engine breakdown page 14)

** Purchase parts from your local Tecumseh, Power Products Outlet

● Common Hardware - Purchase locally (Grade 5 where applicable)

Model 528

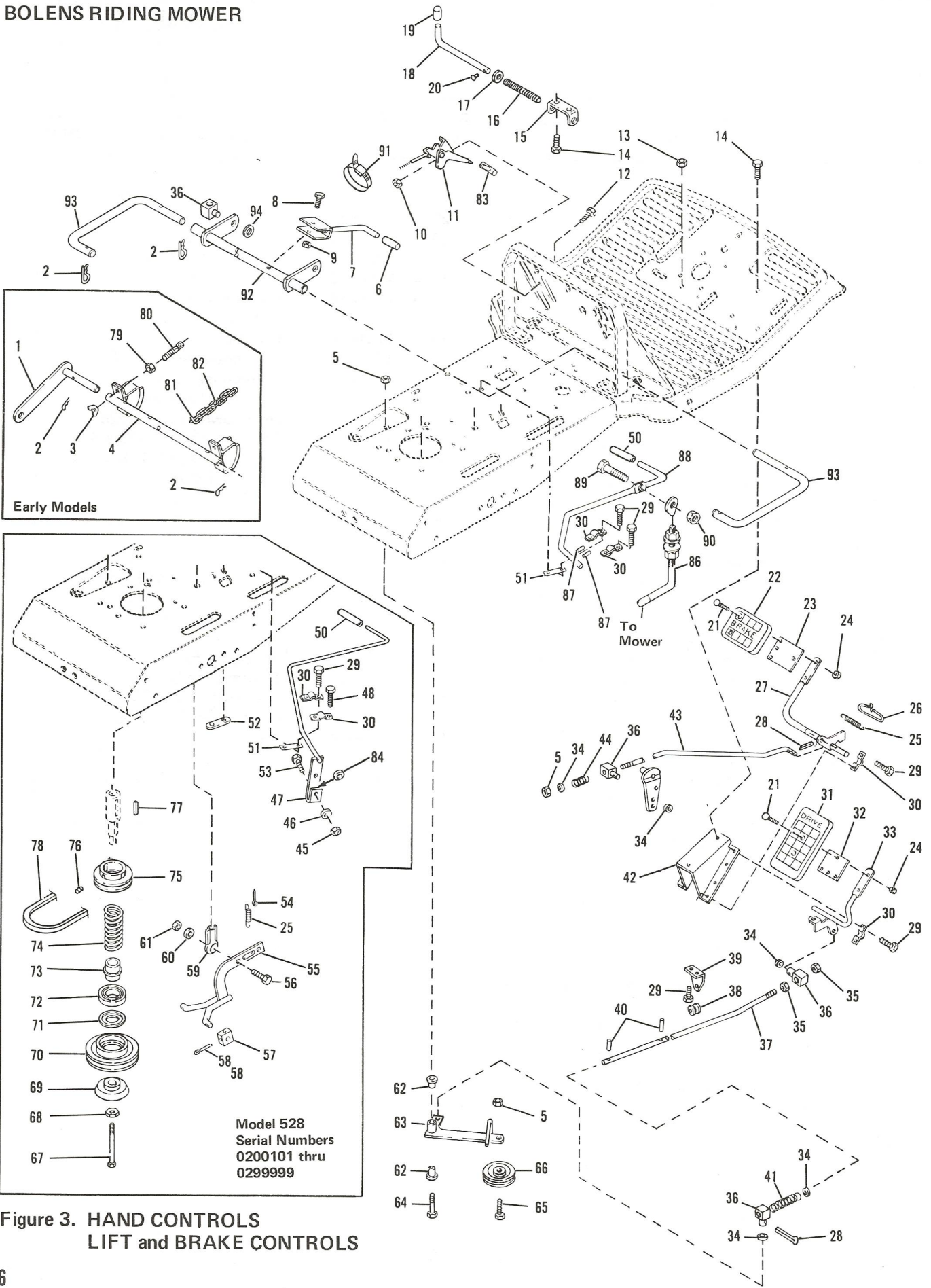
(2) Serial Numbers 0200101 thru 0299999

(3) Serial Numbers 0300101 thru 0399999

Model 628

(1) Serial Numbers 0100101 thru 0199999

BOLENS RIDING MOWER



**Figure 3. HAND CONTROLS
LIFT and BRAKE CONTROLS**

| REF. NO. | PART NO. | DESCRIPTION | NO. REQ'D. | REF. NO. | PART NO. | DESCRIPTION | NO. REQ'D. |
|----------|----------|--|------------|----------|----------|-----------------------------------|------------|
| 1 | 1735780 | Lift Link (528) | 2 | 47 | 1736058 | PTO Lever Assembly (2) . . . | 1 |
| 2 | 1703011 | Hitch Pin | 4 | 48 ● | 1186309 | Flange Screw, 1/4-20 x 5/8(2) | 2 |
| 3 | 1806192 | Wing Nut, 5/16-18 (528) . . . | 2 | 50 | 1737041 | Handle Grip | 1 |
| 4 | 1735962 | Lift Assembly (528) | 1 | 51 | 1724208 | Strip | 2 |
| 5 ● | 1110108 | Locknut, 3/8-16 | 8 | 52 | 1736188 | Twin Nut, 1/4-20 (2) | 1 |
| 6 | 1718534 | Handle Grip | 1 | 53 | 1724209 | Shoulder Bolt (2) | 1 |
| 7 | 1735837 | Lift Handle Assembly | 1 | 54 ● | 1100350 | Cotter Pin, 1/8 x 1 (2) | 1 |
| 8 ● | 1100799 | Hex Screw, 5/16-18 x 1-1/2 . | 1 | 55 | 1736164 | Lever Assembly (2) | 1 |
| 9 | 1732499 | Locknut, 5/16-18 | 1 | 56 | 1724928 | Hex Screw, 1/2-20 x 1-5/8(2) | 1 |
| 10 | 1185985 | Keps Nuts, No. 10-24 | 2 | 57 | 1724192 | Brake Block (2) | 2 |
| 11 | 1736056 | Throttle Control (528) | 1 | 58 ● | 1100352 | Cotter Pin, 1/8 x 1-1/2 (2) . | 2 |
| | 1738672 | Throttle Control (628) | 1 | 59 | 1725754 | Rod End (2) | 1 |
| 12 ● | 1115815 | Machine, Screw No. 10-24 x 5/8 | 2 | 60 ● | 1100245 | Lockwasher, 1/2 (2) | 1 |
| 13 ● | 1186391 | Flange Nut, 5/16-18 | 2 | 61 ● | 1186214 | Hex Nut, 1/2-20 (2) | 1 |
| 14 ● | 1186327 | Flange Screw, 5/16-18 x 1/2 | 4 | 62 | 1715538 | Flanged Bearing | 2 |
| 15 | 1735822 | Brake Lock Bracket | 1 | 63 | 1736220 | Idler Arm Assembly | 1 |
| 16 | 1706930 | Compression Spring | 1 | 64 | 1636221 | Shoulder Bolt | 1 |
| 17 | 1707397 | Washer | 1 | 65 ● | 1100047 | Hex Screw, 3/8-16 x 1-1/2 . | 1 |
| 18 | 1724305 | Brake Lock Rod | 1 | 66 | 1710567 | Idler Pulley | 1 |
| 19 | 1724230 | Grip | 1 | 67 | 1111713 | Hex Screw, 3/8-24 (2) | 1 |
| 20 | 1724751 | Drive Screw, No. 8 x 3/8 . . . | 1 | 68 | 1724034 | Pyramidal Washer (2) | 1 |
| 21 ● | 1186073 | Carriage Bolt, 1/4-20 x 1-1/4 | 4 | 69 | 1724180 | Clutch Assembly (2) | 1 |
| 22 | 1724309 | Brake Pedal | 1 | 70 | 1724199 | Sheave (2) | 1 |
| 23 | 1724418 | Spacer | 1 | 71 | 1724196 | Slinger (2) | 1 |
| 24 | 1186389 | Flange Nut, 1/4-20 | 4 | 72 | 1724194 | Ball Bearing (2) | 1 |
| 25 | 1892471 | Extension Spring | 1 | 73 | 1735886 | Retainer (2) | 1 |
| 26 | 1724961 | Link | 1 | 74 | 1724189 | Compression Spring (2) . . . | 1 |
| 27 | 1724298 | Brake Lever Assembly | 1 | 75 | 1735888 | Engine Sheave (2) | 1 |
| 28 ● | 1100356 | Cotter Pin, 3/32 x 1 | 4 | 76 | 1103470 | Set Screw, 5/16-18 x 1/2 (2) | 2 |
| 29 | 1724492 | Flange Screw 1/4-20 x 1/2 . | 14 | 77 | 1724193 | Key, 3/16 x 1/4 x 2-1/4(2) . | 1 |
| 30 | 1735825 | Clamp | 6 | 78 | 1731719 | V-Belt 51 9/32" | 1 |
| 31 | 1724310 | Clutch Pedal | 1 | 79 ● | 1186230 | Hex Nut, 5/16-18 (528) . . . | 2 |
| 32 | 1724798 | Spacer | 1 | 80 | 1724117 | Spade Bolt (528) | 2 |
| 33 | 1724300 | Clutch Lever Assembly | 1 | 81 | 1717920 | Cold Shuts (528) | 2 |
| 34 ● | 1107383 | Flat Washer, 3/8 | 3 | 82 | 1735288 | Chain (528) | 2 |
| 35 ● | 1186259 | Jam Nut, 3/8-16 | 2 | 83 | 1719268 | Control Knob | 1 |
| 36 | 1727694 | Pivot | 5 | 84 | 1890908 | Washer (2) | AR |
| 37 | 1727697 | Clutch Rod | 1 | 85 | 1737729 | Spacer (2) | 1 |
| 38 | 1185585 | Flip Grommet | 1 | 86 | 1737265 | Cable Assembly (3)(1) | 1 |
| 39 | 1728935 | Bracket | 1 | 87 | 1177625 | Roll Pin 1/8 x 3/4 | 2 |
| 40 | 1185479 | Roll Pin, 3/32 x 5/8 | 2 | 88 | 1737231 | PTO Handle (1)(3) | 1 |
| 41 | 1728908 | Compression Spring | 1 | 89 ● | 1100069 | Hex Screw 1/4-20 x 1"(1)(3) | 1 |
| 42 | 1735827 | Support Assembly | 1 | 90 | 1734398 | Lock Nut 1/4-20 (1)(3) . . . | 1 |
| 43 | 1729404 | Brake Rod | 1 | 91 | 1805345 | Tie Cable | 1 |
| 44 | 1728907 | Compression Spring | 1 | 92 | 1742247 | Lift Assembly (628) | 1 |
| 45 ● | 1110107 | Locknut, 5/16-18 (2) | 1 | 93 | 1742347 | Lift Link (628) | 2 |
| 46 | 1891733 | Washer (2) | 1 | 94 ● | 1100256 | Flat Washer (5) (628) | 2 |

● Common Hardware - Purchase Locally (Grade 5 where applicable)

Model 528

(2) Serial Numbers 0200101 thru 0299999

(3) Serial Numbers 0300101 thru 0399999

Model 628

(1) Serial Numbers 0100101 thru 0199999

BOLENS RIDING MOWER

WIRING INSTALLATION

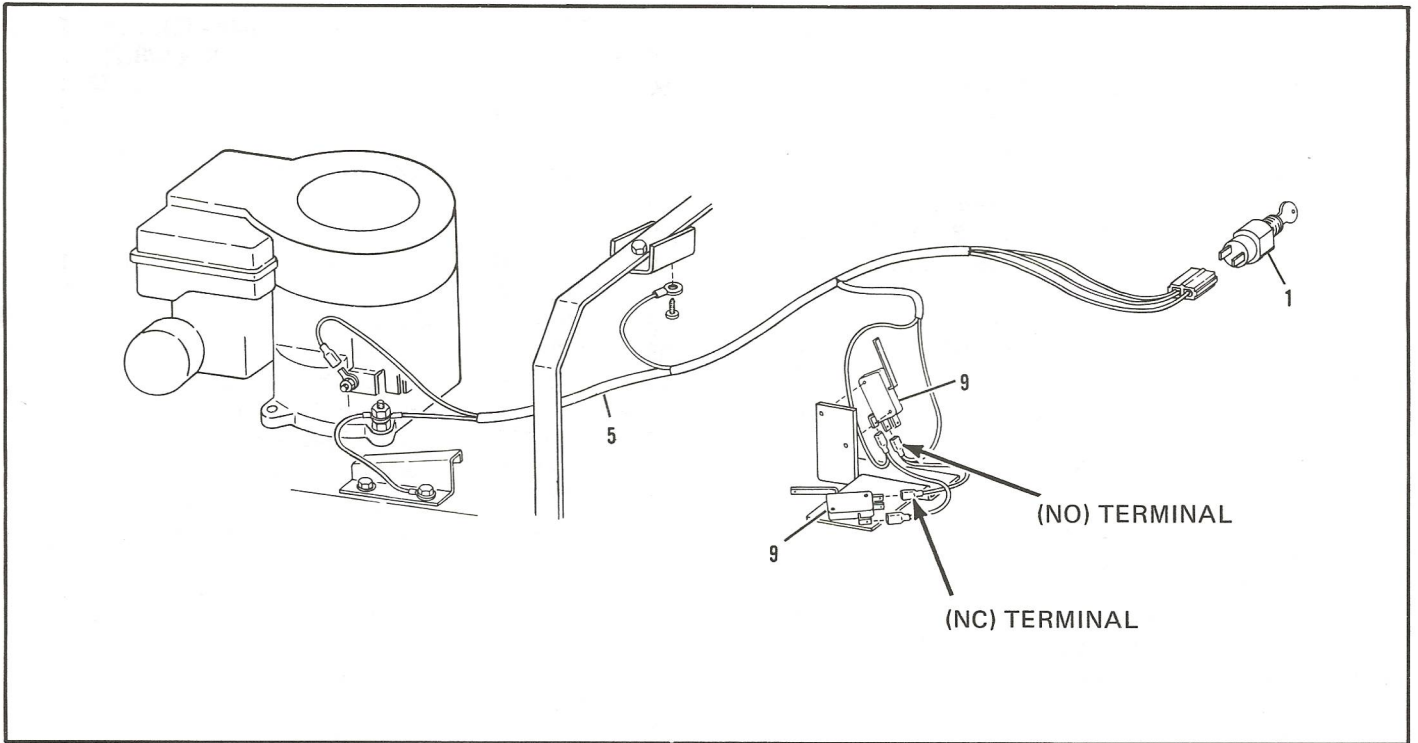
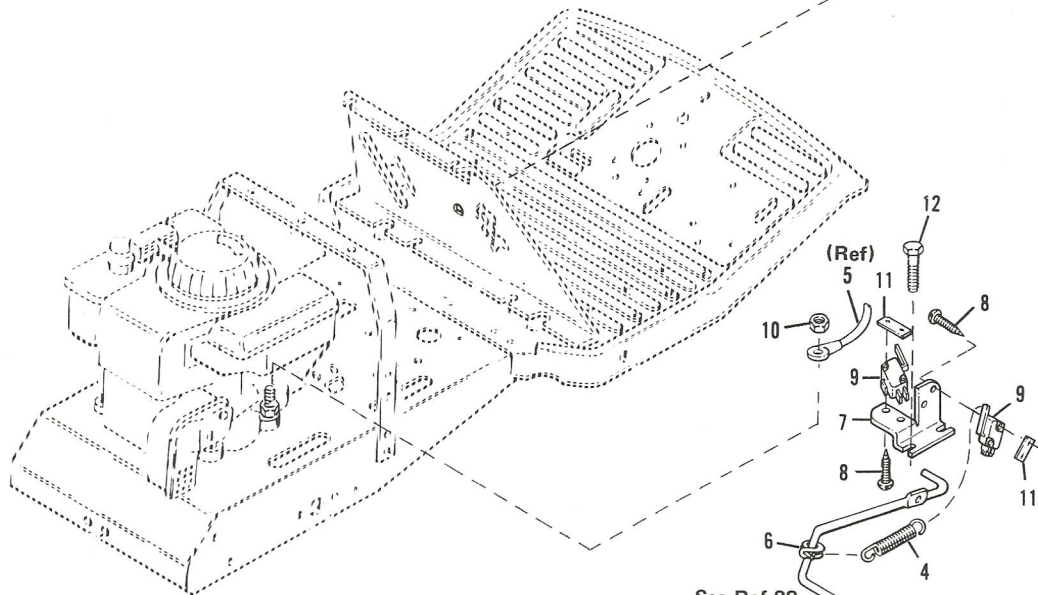
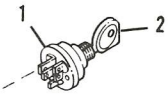
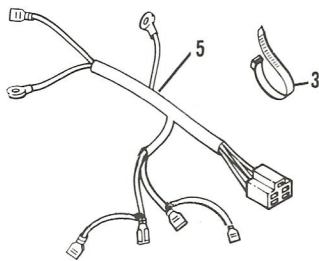


Figure 4. ELECTRICAL SYSTEM

Blue lead to seat connection. See Page 2



See Ref 88
Page 16

| REF. NO. | PART NO. | DESCRIPTION | NO. REQ'D. |
|----------|----------|------------------------------------|------------|
| 1 | 1727321 | Ignition Switch (Incl. Ref. No. 2) | 1 |
| 2 | 1805283 | Key, Ignition | 1 |
| 3 | 1805345 | Cable Tie | 3 |
| 4 | 1725826 | Extension Spring | 1 |
| 5 | 1735254 | Main Wiring Harness | 1 |
| 6 | 1728941 | Clamp | 1 |

| REF. NO. | PART NO. | DESCRIPTION | NO. REQ'D. |
|----------|-----------|----------------------------|------------|
| 7 | 1736383 | Switch Bracket | 1 |
| 8 | 1725552 | Screw, No. 4-40 x 3/4 | 4 |
| 9 | 1728199 | Interlock Switch | 2 |
| 10 | ● 1186258 | Hex Nut, 5/16-18 | 1 |
| 11 | 1727777 | Nut, No. 4-40 | 2 |
| 12 | ● 1724492 | Flange Screw, 1/4-20 x 1/2 | 2 |

● Common Hardware - Purchase locally (Grade 5 where applicable)

MODELS 528 AND 628

| REF. NO. | PART NO. | DESCRIPTION | NO. REQ'D. | REF. NO. | PART NO. | DESCRIPTION | NO. REQ'D. |
|----------|-----------|------------------------------|------------|----------|-----------|--------------------------------|------------|
| 1 | ● 1724491 | Flange Screw, 5/16-18 x 3/4 | 3 | 25 | ● 1100047 | Hex Screw, 3/8-16 x 1-1/2 | 1 |
| 2 | 1736248 | V-Belt 63-5/8 (2) | 1 | 26 | 1725625 | Idler Pulley (2) | 1 |
| | 1738406 | V-Belt 65 (1)(3) | 1 | | 1722713 | Idler Pulley (1)(3) | 1 |
| 3 | 1735756 | Mower Sheave (2) | 1 | 27 | 1891733 | Washer(2) | 1 |
| | 1736586 | Mower Sheave (1)(3) | 1 | 28 | 1737514 | Idler Arm Assembly (2) | 1 |
| 4 | 1719672 | Klick Pin | 2 | | 1737204 | Idler Arm Assembly (1)(3) | 1 |
| 5 | ● 1186098 | Carriage Bolt, 5/16-18 x 3/4 | 6 | 29 | 1735596 | Extension Spring (2) | 1 |
| 6 | ● 1186329 | Flange Screw, 5/16-18 x 3/4 | 7 | | 1700401 | Extension Spring (3) | 1 |
| 7 | ● 1100349 | Cotter Pin, 1/8 x 3/4 | 4 | 30 | 1724097 | Wheel | 2 |
| 8 | 1722409 | Clevis Pin (2) (3) | 2 | 31 | 1735789 | Stud Plate Assembly | 2 |
| | 1730851 | Clevis Pin (1) | 2 | 32 | 1735773 | Axle Support Assembly | 2 |
| 9 | 1736435 | Rod | 1 | 33 | 1724034 | Lockwasher, 3/8 Pyramidal | 2 |
| 10 | 1725754 | Rod End | 1 | 34 | 1733584 | Knob | 2 |
| 11 | 1720878 | Finger Belt | 1 | 35 | ● 1100349 | Cotter Pin, 1/8 x 3/4 | 2 |
| 12 | 1736482 | Caution Decal | 1 | 36 | ● 1107385 | Flat Washer, 1/2 | 4 |
| 13 | 1735794 | Mower Base Assembly (2) | 1 | 37 | 1715538 | Flanged Nyliner (1)(3) | 2 |
| | 1737291 | Mower Base Assembly (3) | 1 | 38 | 1734398 | Lock Nut 1/4-20 (1)(3) | 1 |
| | 1742358 | Mower Base Assembly (1) | 1 | 39 | ● 1186229 | Nut, 1/4-20 (1)(3) | 1 |
| 14 | 1729845 | Chute Deflector (2) | 1 | 40 | ● 1185985 | Lock Nut No. 10 (1)(3) | 2 |
| | 1737589 | Chute Deflector (1)(3) | 1 | 41 | 1738493 | Screw No. 10-24 x 1-3/8 (1)(3) | 2 |
| 15 | 1702646 | Flat Washer, 1/4 | 1-3 | | | | |
| 16 | 1703011 | Hitch Pin | 2 | 42 | 1737233 | Countersunk Washer (1)(3) | 2 |
| 17 | ● 1186391 | Flange Nut, 5/16-18 | 8 | 43 | 1737281 | Brake Block (1)(3) | 1 |
| 18 | 1736483 | Decal, No Step | 2 | 44 | 1738492 | Extension Spring (1)(3) | 1 |
| 19 | 1735785 | Mower Spindle Assembly (2) | 1 | 45 | 1738140 | Eye Bolt (1)(3) | 1 |
| | 1742807 | Mower Spindle Assy (1)(3) | 1 | 46 | ● 1103959 | Flat Washer No. 10 (1)(3) | 2 |
| 20 | 1743407 | Mower Blade | 1 | 47 | 1703011 | Cotter Spring (1) | 2 |
| 21 | 1736781 | Nylok Screw, 3/8-24 x 1-1/4 | 1 | 48 | 1742348 | Lift Rod (1) | 2 |
| 22 | ● 1100243 | Lockwasher, 3/8 | 2 | 49 | 1711396 | Flat Washer (1) | 2 |
| 23 | 1735287 | Blade Doubler | 1 | 50 | ● 1186230 | Lock Nut 5/16-18 (1) | 4 |
| 24 | 1724010 | Pin Assembly (2) | 1 | | | | |

● Common Hardware - Purchase Locally (Grade 5 where applicable)

Model 528

(2) Serial Numbers 0200101 thru 0299999

(3) Serial Numbers 0300101 thru 0399999

Model 628

(1) Serial Numbers 0100101 thru 0199999

BOLENS RIDING MOWER

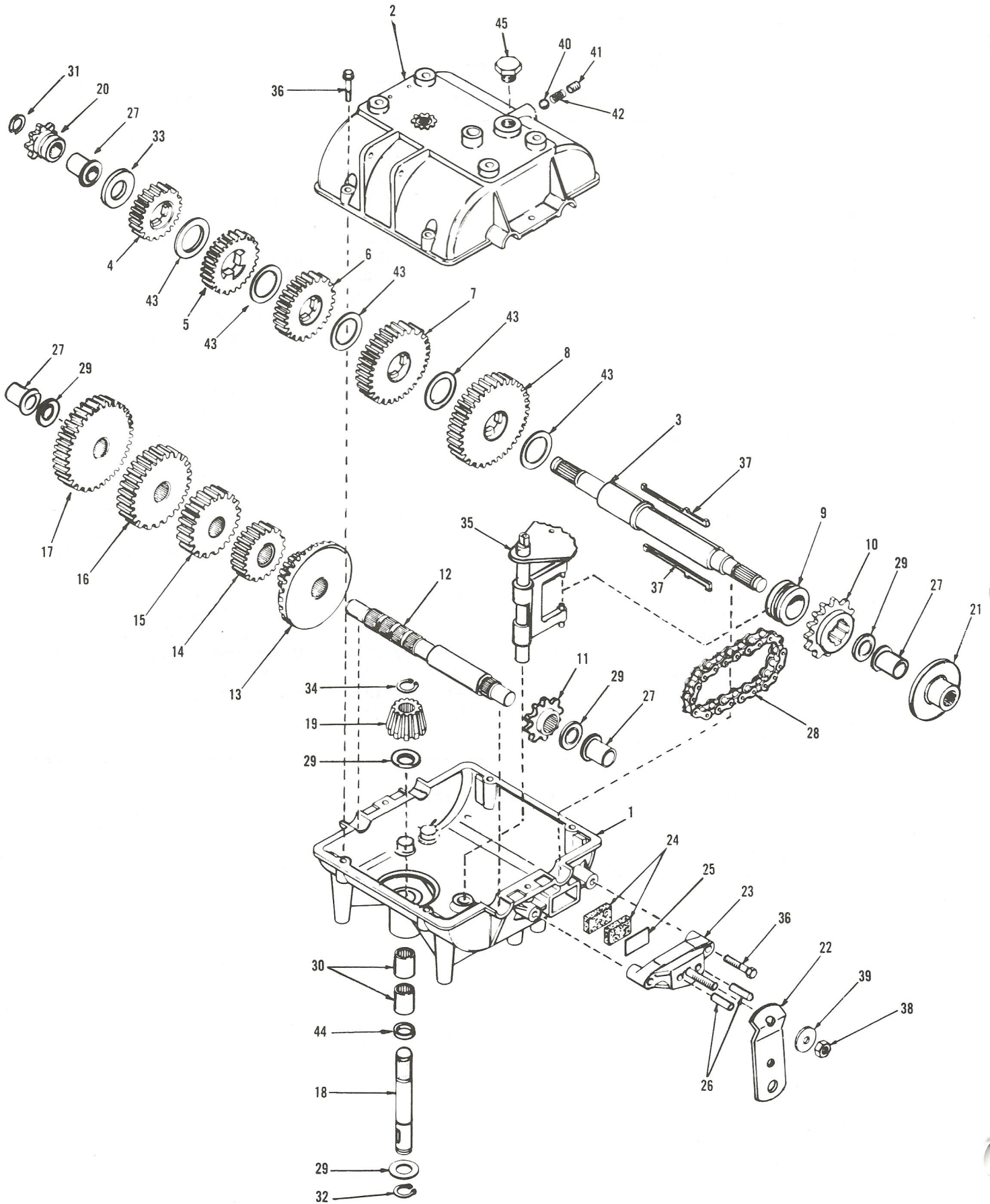
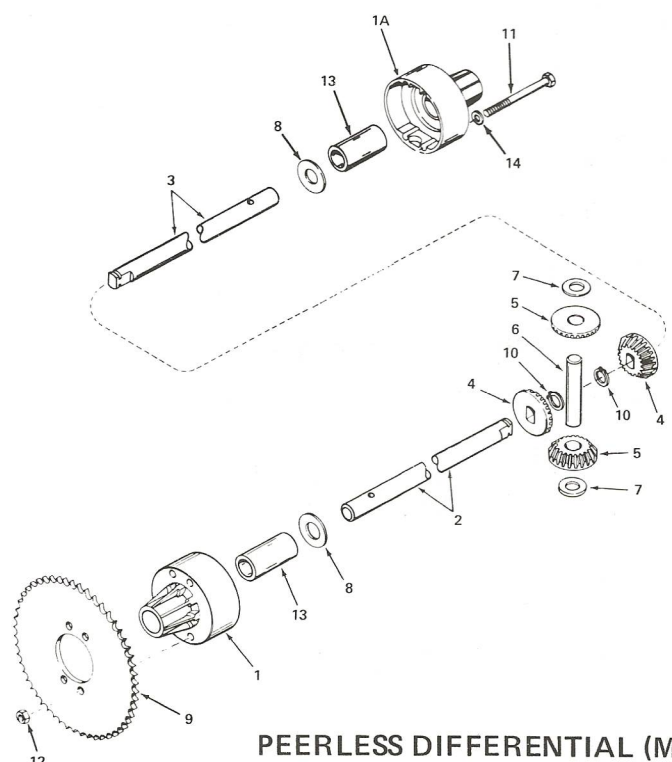


Figure 7. PEERLESS TRANSMISSION (MODEL 730)

PURCHASE PARTS FROM YOUR LOCAL TECUMSEH, POWER PRODUCTS OUTLET

| REF. NO. | PART NO. | DESCRIPTION | NO. REQ'D. |
|----------|----------|--|------------|
| 1 | 770061 | Case, Transmission | |
| 2 | 772070 | Cover, Transmission | |
| 3 | 776161 | Shaft, Output and Brake | |
| 4 | 778121A | Gear, Spur (20 Teeth) | |
| 5 | 778122 | Gear, Spur (22 Teeth) | |
| 6 | 778123 | Gear, Spur (25 Teeth) | |
| 7 | 778124 | Gear, Spur (30 Teeth) | |
| 8 | 778125 | Gear, Spur (35 Teeth) | |
| 9 | 784266 | Collar, Shift | |
| 10 | 786083 | Sprocket (18 Teeth) | |
| 11 | 786082 | Sprocket (9 Teeth) | |
| 12 | 776134 | Shaft, Counter | |
| 13 | 778109 | Gear, Bevel (42 Tooth and 15 Tooth Spur Gear) | |
| 14 | 778126 | Gear, Spur (20 Teeth) | |
| 15 | 778127 | Gear, Spur (25 Teeth) | |
| 16 | 778128 | Gear, Spur (28 Teeth) | |
| 17 | 778129 | Gear, Spur (30 Teeth) | |
| 18 | 776143 | Shaft, Input | |
| 19 | 778113 | Bevel Pinion, Input | |
| 20 | 786047 | Sprocket (8 Teeth) | |
| 21 | 790003 | Disk, Brake | |
| 22 | 790013 | Lever, Brake | |
| 23 | 790005 | Holder, Brake Pad | |

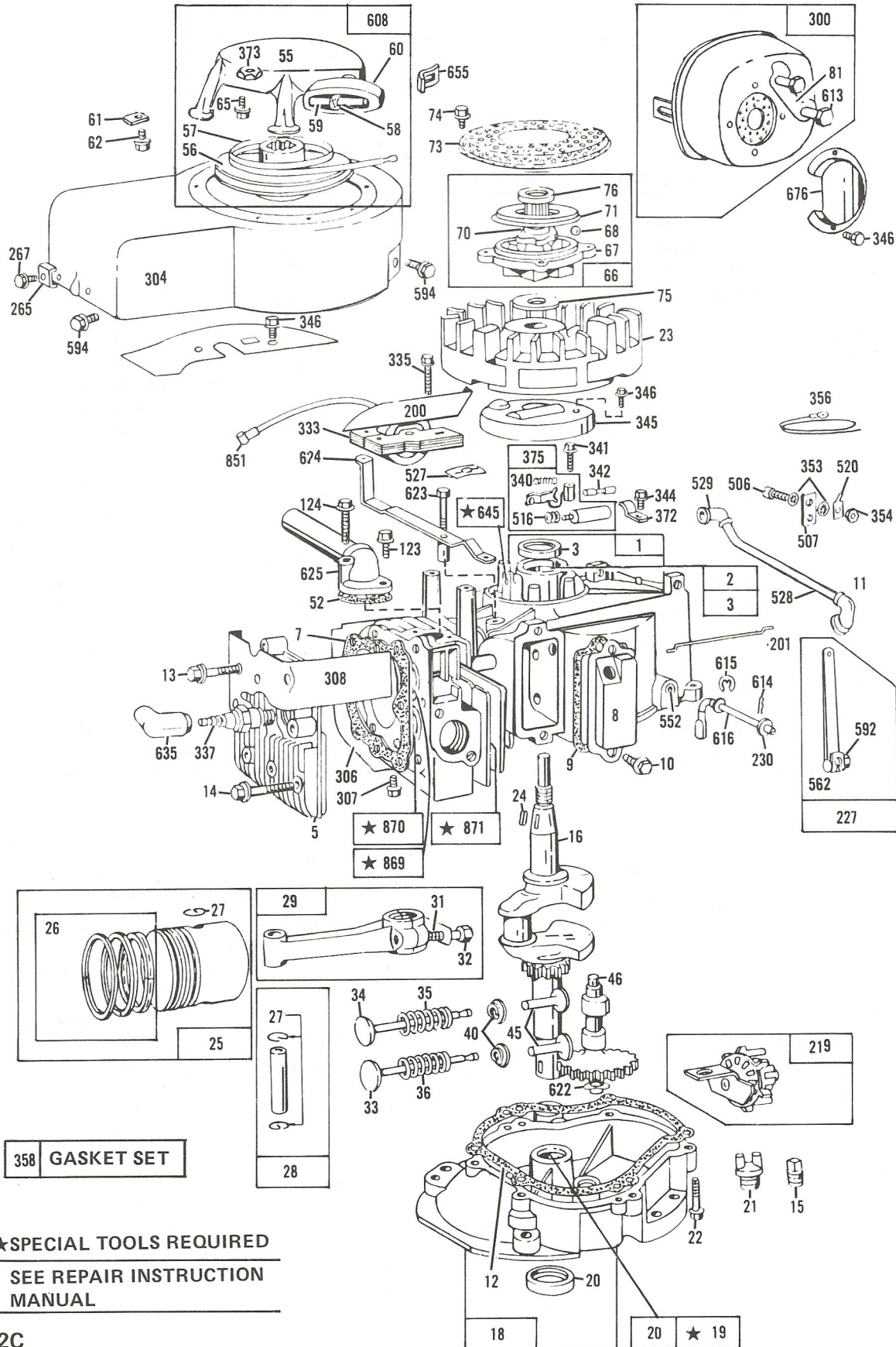
| REF. NO. | PART NO. | DESCRIPTION | NO. REQ'D. |
|----------|----------|---|------------|
| 24 | 790006 | Pad, Brake | |
| 25 | 790007 | Plate, Brake Pad | |
| 26 | 786026 | Pin, Dowel | |
| 27 | 780105 | Bushing, Flanged | |
| 28 | 786081 | Chain, Roller (No. 41 Chain, 24 Links) | |
| 29 | 780072 | Race, Thrust | |
| 30 | 780086 | Bearing, Needle | |
| 31 | 792072 | Ring, Retaining | |
| 32 | 792035 | Ring, Retaining | |
| 33 | 780109 | Washer | |
| 34 | 788040 | Ring, Retaining | |
| 35 | 784267 | Rod & Fork Assy. Shift | |
| 36 | 792073 | Screw, Hex Hd. Taptite, 1/4-20 x 1-1/4 | |
| 37 | 792089A | Key | |
| 38 | 792075 | Nut, Lock, 5/16-24 | |
| 39 | 792076 | Washer, Flat, 5/16 | |
| 40 | 792077 | Ball, Steel, 5/16" | |
| 41 | 792078 | Screw, Set, 3/8-16 x 3/8 | |
| 42 | 792079 | Spring | |
| 43 | 780108 | Washer, Thrust | |
| 44 | 792001 | Ring, Square Cut | |
| 45 | 792074 | Plug | |



PEERLESS DIFFERENTIAL (MODEL 100-012)

| REF. NO. | PART NO. | DESCRIPTION | NO. REQ'D. |
|----------|----------|---|------------|
| 1 | 774344 | Housing, Differential Carrier (Incl. No. 13) | |
| 1A | 774345 | Housing, Differential Carrier (Incl. No. 13) | |
| 2 | 774440 | Axle (9-7/32" Long) | |
| 3 | 774441 | Axle (18-5/32" Long) | |
| 4 | 778067 | Gear, Bevel | |
| 5 | 778068 | Gear, Pinion | |
| 6 | 786040 | Pin, Drive | |
| 7 | 780096 | Washer, Thrust | |
| 8 | 780001 | Washer | |
| 9 | 786070 | Sprocket | |
| 10 | 792018 | Ring, Snap | |
| 11 | 792041 | Screw, Hex. Hd. 5/16-18 x 3-3/4 | |
| 12 | 792042 | Nut, Lock, 5/16-18 | |
| 13 | 780077 | Bushing | |
| 14 | 792061 | Washer | |

BOLENS RIDING MOWER



★SPECIAL TOOLS REQUIRED
SEE REPAIR INSTRUCTION
MANUAL

FIGURE 2C

BRIGGS & STRATTON ENGINE ASSEMBLY (130902-0606) MODEL 528

BOLENS RIDING MOWER

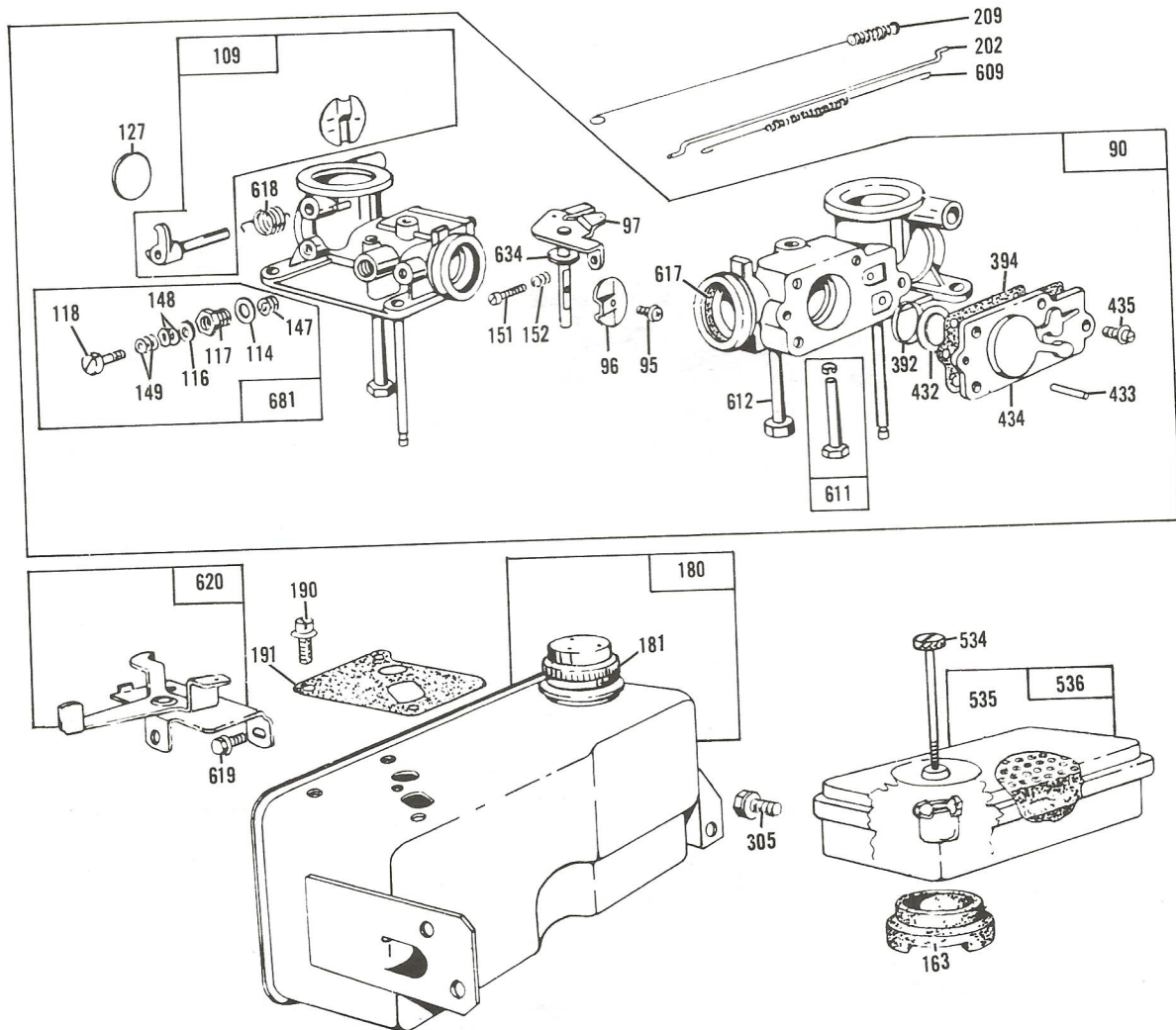


Figure 2D. CARBURETOR ASSEMBLY MODEL 528

PURCHASE PARTS FROM YOUR BRIGGS & STRATTON OUTLET

MODEL 528

| REF. NO. | PART NO. | DESCRIPTION | NO. REQ'D. | REF. NO. | PART NO. | DESCRIPTION | NO. REQ'D. |
|----------|----------|---|------------|----------|----------|---|------------|
| 506 | 90200 | Screw - Machine, Fil. Hd., 8-32 x 1/2" | | 201 | 260649 | Link - Governor | |
| 507 | 66895 | Insulator | | 202 | 260654 | Link - Throttle | |
| 516 | 260374 | Spring - Connector. | | 209 | 260711 | Spring - Governor | |
| 520 | 93722 | Terminal - Spade | | 219 | 297249 | Oil Slinger Gear - Governor and Bracket. | |
| 527 | 93376 | Clip - Breather Pipe | | 227 | 391967 | Lever Assy. - Governor | |
| 528 | 230717 | Tube - Breather. | | 230 | 222450 | Washer - Governor Crank, 1/4" I.D. | |
| 529 | 67608 | Grommet - Breather Tube | | 265 | 22372 | Clamp - Casing | |
| 534 | 93374 | Screw - Air Cleaner | | 267 | 93469 | Screw - Clamp Mtg. | |
| 535 | 270447 | Element - Air Cleaner. | | 300 | 393593 | Muffler - Exhaust | |
| 536 | 299447 | Cleaner Assembly - Air | | 304 | 299332 | Housing - Blower. | |
| 552 | 231078 | Bushing - Governor Shaft, 1/4" I.D. | | 305 | 93158 | Screw - Tank Bracket Mounting Sem | |
| 562 | 231082 | Bolt - Governor Lever. | | 306 | 221484 | Shield - Cylinder | |
| 594 | 93559 | Screw - Blower Housing Mounting Sem | | 307 | 93042 | Screw - Sem | |
| 608 | 390463 | Starter Assy. - Rewind | | 308 | 221452 | Cover - Cylinder Head | |
| 609 | 260029 | Spring - Throttle Link | | 335 | 93414 | Screw - Armature Mtg. Sem. | |
| 611 | 391813 | Fuel Pipe and Clip Assy. | | 337 | 293918 | Plug - Spark (With Gasket) (Resistor Type) (1-1/2" High - 38 M.M.) | |
| 612 | 296811 | Pipe - Fuel (Plastic) | | | | Note: Spark Plugs use Ignition Cable Terminal No. 221798. | |
| 613 | 93549 | Screw - Muffler Mtg. | | 340 | 26018 | Spring - Breaker Arm | |
| 614 | 93306 | Cotter - Hair Pin | | 341 | 93381 | Screw - Breaker Arm Mount- ing Sem. | |
| 615 | 93307 | Retainer - E-Ring. | | 342 | 65704 | Plunger - Breaker Point. | |
| 616 | 231076 | Crank - Governor. | | 344 | 93042 | Screw - Condenser Clamp Mtg. Sem. | |
| 617 | 270074 | Seal - Intake Elbow Tube | | 345 | 220366 | Cover - Breaker Point and Condenser | |
| 618 | 260648 | Spring - Choke Return | | 346 | 93705 | Screw - Hex. Hd. | |
| 619 | 93380 | Screw - Control Plate Mtg. | | 353 | 92791 | Washer - Lock - Shakeproof (2) | |
| 620 | 297548 | Plate Assy. - Remote Carburetor Control | | 354 | 90576 | Nut - Hex. - 8-32. | |
| 622 | 260676 | Washer - Spring (Used between cam gear boss and oil slinger bracket). | | 356 | 391115 | Wire - Ground. | |
| 623 | 93566 | Screw - Shoulder | | 358 | 297616 | Gasket Set | |
| 624 | 297252 | Lever - Linkage | | 372 | 220477 | Clamp - Condenser. | |
| 625 | 297254 | Elbow and Tube - Intake. | | 373 | 92987 | Nut - Hex. (4). | |
| 634 | 2710167 | Washer - Throttle Shaft (Felt) | | 375 | 294628 | Breaker Points and Condenser Set | |
| 635 | 66538 | Elbow - Spark. | | | | Note: 299061 Ignition Kit Includes: 294628 Point Set 65704 Plunger 61760 Key - Flywheel | |
| 643 | 221321 | Cup - Air Cleaner. | | 392 | 260455 | Spring - Fuel Pump Diaphragm. | |
| 645 | 23513 | Bushing - Plunger. | | 394 | 270026 | Diaphragm | |
| 655 | 222598 | Anchor - Spring. | | 432 | 221377 | Cap - Spring | |
| 676 | 222261 | Deflector - Exhaust | | 433 | 93265 | Pin - Diaphragm Cover | |
| 681 | 299060 | Needle Valve Kit. | | 434 | 210959 | Cover - Diaphragm. | |
| 851 | 221798 | Terminal - Ignition Cable | | 435 | 93141 | Screw - Diaphragm Cover | |
| 869 | 211158 | Seat - Intake Valve (Standard). | | | | | |
| 870 | 211172 | Seat - Exhaust Valve (Standard). | | | | | |
| 871 | 63709 | Guide - Exhaust Valve | | | | | |
| 180 | 297257 | Tank Assembly - Fuel. | | | | | |
| 181 | 298425 | Cap - Fuel Tank | | | | | |
| 190 | 93341 | Screw - Fuel Tank Mtg. | | | | | |
| 191 | *270073 | Gasket - Fuel Tank Mtg. | | | | | |
| 200 | 221480 | Guide - Air. | | | | | |

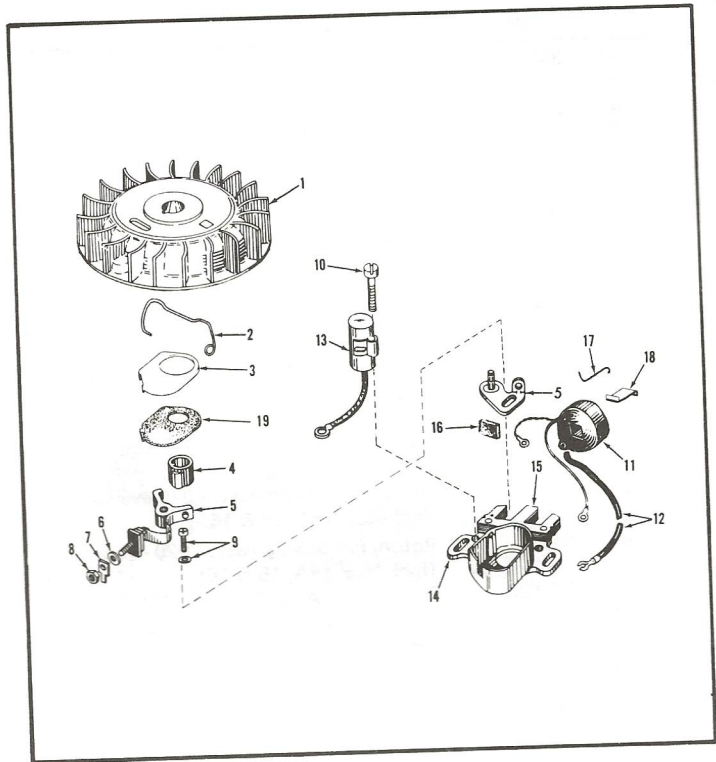
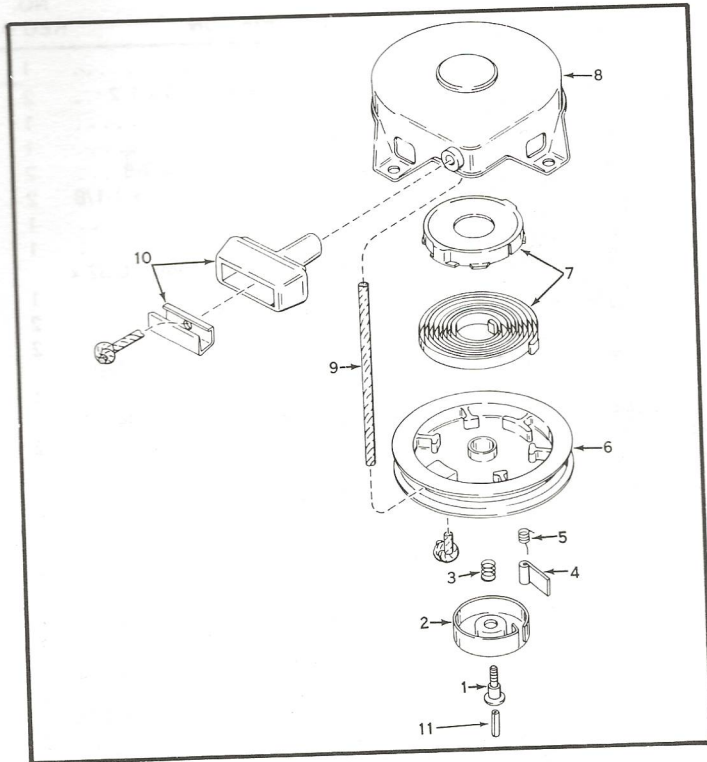
PURCHASE PARTS FROM YOUR TECUMSEH OUTLET

MODEL 628

| REF. NO. | PART NO. | DESCRIPTION | NO. REQ'D. |
|----------|----------|---|------------|
| 1 | 34177 | Cylinder Assy. (Incl. Nos. 2,4,5 & 41) | 1 |
| 2 | 27652 | Pin, Dowl. | 2 |
| 4 | 27876B | Seal, Oil. | 1 |
| 5 | 32783 | Valve, Intake (Std.) (Incl. No. 9) . . . | 1 |
| 5 | 32784 | Valve, Intake (1/32" Oversize) (Incl. No. 9) | 1 |
| 6 | 27878A | Valve, Exhaust (Std.) (Incl. No. 9) . . | 1 |
| 6 | 27880A | Valve, Exhaust (1/32" Oversize) (Incl. No. 9) | 1 |
| 7 | 27882 | Cap, Upper Valve Spring. | 2 |
| 8 | 27881 | Spring, Valve | 2 |
| 9 | 32581 | Cap, Lower Valve Spring. | 2 |
| 11 | 30896B | Crankshaft Asys. (Incl. Nos. 12 & 13) | 1 |
| 12 | 29783 | Pin, Crankshaft Gear | 1 |
| 13 | 27884 | Gear, Crankshaft. | 1 |
| 14 | 34531 | Piston, Pin & Ring Assy. (Std.) (Incl. Nos. 14A, 15 & 16) | 1 |
| 14 | 34532 | Piston, Pin & Ring Assy. (.010 oversize) (Incl. Nos. 14A, 15 & 16) | 1 |
| 14 | 34533 | Piston, Pin & Ring Assy. (.020 oversize) (Incl. Nos. 14A, 15 & 16) | 1 |
| 14A | 33312B | Piston & Pin Assy. (Incl. No. 16) (Std.) | 1 |
| 14A | 33313B | Piston & Pin Assy. (Incl. No. 16) (.010 Oversize) | 1 |
| 14A | 33314B | Piston & Pin Assy. (Incl. No. 16) (.020 Oversize) | 1 |
| 15 | 33315 | Ring Set, Piston (Std.) | 1 |
| 15 | 33316 | Ring Set, Piston (.010 Oversize) | 1 |
| 15 | 33317 | Ring Set, Piston (.020 Oversize) | 1 |
| 16 | 27888 | Ring, Piston Pin Retaining. | 2 |
| 17 | 31380C | Rod Assy., Connecting (Incl. No. 18) | 1 |
| 18 | 650662B | Bolt, Connecting Rod. | 2 |
| 21 | 34034 | Lifter, Valve. | 2 |
| 22 | 33157 | Camshaft (Compression Release) | 1 |
| 23 | *30684 | Gasket, Mounting Flange | 1 |
| 24 | 31471C | Flange Assy., Mounting (Incl. Nos. 25, 27, 29, 34 & 110). | 1 |
| 25 | 31335 | Screen, Oil Filer | 1 |
| 27 | 29117 | Screw, Hex. Hd. Shakeproof, Thread Cutting, 8-32 x 5/16 | 1 |
| 28 | 31356 | Pump Assy., Oil | 1 |
| 29 | 27642 | Plug, Sq. Hd. Pipe, 1/4-18 | 1 |
| 34 | 27897 | Seal, Oil. | 1 |
| 35 | 650548 | Screw, Hex. Washer Hd., 8-32 x 5/16 | 1 |
| 36 | 31335 | Clamp, Governor Lever. | 1 |
| 39 | 650488 | Screw, Hex. Hd. Sems, 1/4-20 x 1-1/4 | 7 |
| 41 | 34165 | Dipstick, Oil (Incl. No. 42) | 1 |
| 42 | *29673 | Gasket, Dipstick | 1 |
| 43 | 30622 | Extension, Blower Housing | 1 |
| 44 | 650128 | Screw, Fil. Hd. Sems, 10-24 x 1/2. . . . | 1 |
| 45 | 30688 | Screw, Hex. Hd. Sems, 1/4-20 x 1/2 . . . | 1 |
| 46 | 33549 | Clamp, Tank Holddown | 1 |
| 47 | *28938B | Gasket, Cylinder Head | 1 |
| 48 | 30938A | Head, Cylinder (Incl. No. 51). | 1 |
| 49 | 30939A | Cover, Cylinder Head | 1 |
| 50 | 610118 | Cover, Spark Plug | 1 |
| 51 | 650697A | Screw, Hex. Flange Hd., 5/16-18 x 2-1/2. | 8 |
| 52 | 33636 | Plug, Spark (Champion J-8 or equivalent) Except for Canada. | 1 |
| 52 | 34251 | Resistor Spark Plug (Canadian Regulations require Canada RJ-17LM resistor spark plug) | 1 |
| 53 | *27896 | Gasket, Valve Chamber Cover | 2 |
| 54 | 28423 | Body Assy., Breather | 1 |
| 55 | 28424 | Element, Breather | 1 |
| 56 | 28425 | Cover, Valve Chamber | 1 |

| REF. NO. | PART NO. | DESCRIPTION | NO. REQ'D. |
|----------|----------|--|------------|
| 57 | 27627 | Tube, Breather | 1 |
| 59 | 650128 | Screw, Fil. Hd. Sems, 10-24 x 1/2. . . . | 2 |
| 60 | *27915 | Gasket, Intake Pipe | 1 |
| 61 | 31358 | Pipe, Intake | 1 |
| 63 | 650152 | Screw, Fil. Hd. Sems, 8-32 x 3/8 | 2 |
| 64 | 650378 | Screw, Fil. Hd. Sems, 5/16-18 x 1-1/8 | 2 |
| 65 | *26756 | Gasket, Carburetor | 1 |
| 66 | 27793 | Clip, Conduit | 1 |
| 67 | 28942 | Screw, Hex. Washer Hd. Sems, 10-32 x 3/8 | 1 |
| 69 | 6201 | Screw, Hex. Hd., 1/4-28 x 7/8 | 2 |
| 71 | 29752 | Nut & Lockwasher, 1/4-28 | 2 |
| 82 | 32181A | Control Assy., Speed (Incl. Nos. 160, 161 & 162) | 1 |
| 83 | 30200 | Screw, Hex. Washer Hd., Sems, Self-Tap 10-24 x 9/16 | 2 |
| 84 | *27272 | Gasket, Air Cleaner | 1 |
| 87 | 31691 | Bracket, Air Cleaner. | 1 |
| 88 | 28820 | Screw, Fil. Hd. Sems, 10-32 x 1/2. . . . | 2 |
| 89 | 30727 | Element, Air Cleaner | 1 |
| 90 | 31715 | Body, Air Cleaner | 1 |
| 91 | *27930 | Gasket, Muffler Flange. | 1 |
| 92 | 28281 | Muffler Assy. | 1 |
| 93 | 650696 | Screw, Hex. Hd., 5/16-18 x 2-3/4 | 2 |
| 94 | 29536 | Baffle, Blower Housing. | 1 |
| 95 | 31588 | Plate, Muffler Locking | 1 |
| 96 | 650561 | Screw, Hex. Washer Hd. Durlok, 1/4-20 x 5/8. | 2 |
| 98 | 30884 | Key, Flywheel | 1 |
| 99 | 28277 | Washer, Flat | 1 |
| 101 | 650489 | Screw, Hex. Hd. Sems, 1/4-20 x 5/8 . . . | 2 |
| 102 | 31823 | Link, Governor-to-throttle | 1 |
| 103 | 31361 | Spring, Governor. | 1 |
| 104 | 30669 | Rod, Governor (Incl. No. 99). | 1 |
| 105 | 32582 | Link, Governor Spring | 1 |
| 106 | 31357 | Lever, Governor | 1 |
| 108 | 31590A | Washer, Flat | 1 |
| 109 | 31707A | Spacer, Governor Gear | 1 |
| 110 | 30668 | Shaft, Mechanical Governor. | 1 |
| 111 | 30591 | Gear Assy., Governor | 1 |
| 112 | 29193 | Ring, Retaining. | 2 |
| 113 | 30588A | Spool, Governor | 1 |
| 123 | 650490 | Washer, Belleville. | 1 |
| 124 | 8116 | Nut, Hex, 1/2-20. | 1 |
| 126 | 32584 | Tank, Fuel (Incl. No. 127) | 1 |
| 127 | 32387A | Cap, Fuel Filler. | 1 |
| 128 | 32125 | Cup, Starter | 1 |
| 129 | 590417 | Screen, Starter Cup | 1 |
| 131 | 29747A | Screw, Hex. Hd. Sems, 5/16-24 x 3/4 | 2 |
| 133 | 33876 | Gasket, Stator. | 1 |
| 134 | 29774 | Line, Fuel | 1 |
| 137 | 29716 | Screw, Pan Hd. Sems, 1/4-28 x 7/16 | 4 |
| 139 | 34346 | Decal, Name & Instruction | 1 |
| 143 | 32629A | Housing, Blower | 1 |
| 144 | 34316 | Decal, Name. | 1 |
| 150 | 34235 | Wire, Ground | 1 |
| 160 | 610973 | Terminal Assembly | 1 |
| 161 | 31342 | Spring Compression | 1 |
| 162 | 650549 | Screw, Fil. Hd., 5-40 x 7/16 | 1 |
| 163 | 610689A | Magneto (The Complete magneto is not available as an assembly. The magneto number is shown for reference purposes only. Order component parts individually, as shown in parts list.) | 1 |
| 164 | 631444 | Carburetor (Incl. No. 65) | 1 |
| 165 | 590420 | Starter, Rewind. | 1 |
| 166 | 33234A | Gasket Set (Incl. items marked *). . . . | 1 |

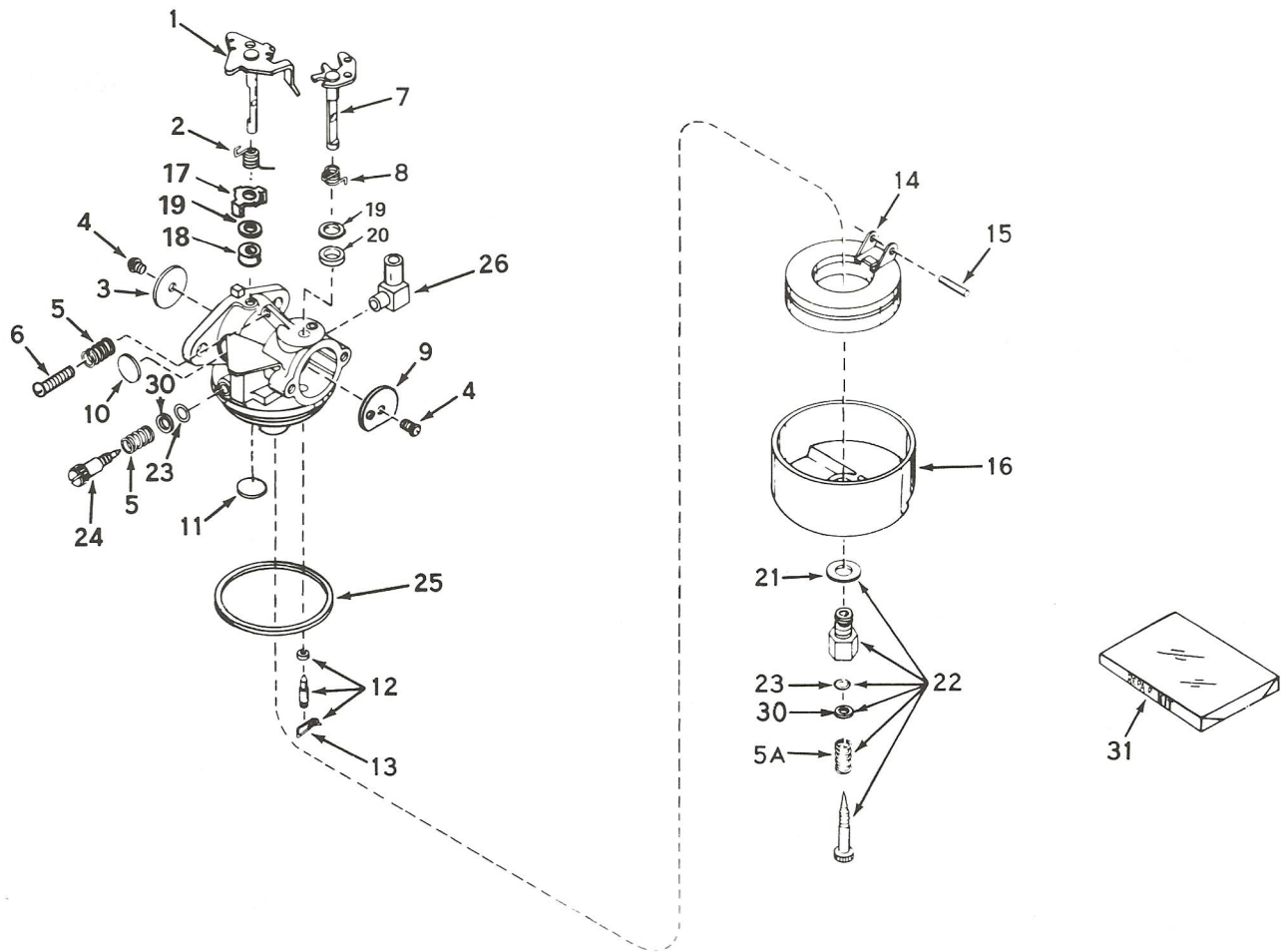
BOLENS RIDING MOWER



| REF. NO. | PART NO. | DESCRIPTION | NO. REQ'D. |
|----------|----------|--|------------|
| 1 | 590409A | Screw, Retainer | 1 |
| 2 | 590410 | Retainer, R.H. | 1 |
| 3 | 590411 | Spring, Brake | 1 |
| 4 | 590148 | Dog, Starter | 1 |
| 5 | 590412 | Spring, R.H. Dog | 1 |
| 6 | 590413A | Pulley | 1 |
| 7 | 590414 | Spring & Keeper Assembly | 1 |
| 8 | 590415 | Housing Assy., Starter (Incl. No. 1) | 1 |
| 9 | 590451A | Rope, Starter | 1 |
| 10 | 590387 | Handle Assy., Starter | 1 |
| 11 | 590459 | Pin, Centering | 1 |

| REF. NO. | PART NO. | DESCRIPTION | NO. REQ'D. |
|----------|----------|--|------------|
| 1 | 30555 | Flywheel | 1 |
| 2 | 30551 | Spring, Breaker Box Dust Cover | 1 |
| 3 | 610947 | Cover, Breaker Box Dust | 1 |
| 4 | 30992 | Cam, Breaker | 1 |
| 5 | 30547A | Contact Assy., Breaker | 1 |
| 6 | 610385 | Washer, Terminal | 1 |
| 7 | 33356 | Tab, Ground Terminal | 1 |
| 8 | 610408 | Nut, Terminal | 1 |
| 9 | 29181 | Screw & Washer, Breaker | 1 |
| 10 | 610593 | Screw, Condenser Fastening | 1 |
| 11 | 30560A | Coil Assy. (Incl. No. 12) | 1 |
| 12 | 30554 | Wire, Lead | 1 |
| 13 | 30548B | Condenser | 1 |
| 14 | 30545 | Core & Plate | 1 |
| 15 | 30561B | Stator Assy. (Incl. Nos. 2, 3, 5 thru 14 & 16 thru 19) | 1 |
| 16 | 30549 | Felt, Cam Wiper | 1 |
| 17 | 31311 | Clip, Coil Locking | 1 |
| 18 | 29629 | Spring, Coil Wedge | 1 |
| 19 | 610955 | Gasket, Dust Cover | 1 |
| 19 | 610956 | Gasket, Dust Cover | 1 |

*The complete magneto is no available as an assembly. The magneto number is shown for reference purposes only. Order component parts individually, as shown in parts list.



| REF. NO. | PART NO. | DESCRIPTION | NO. REQ'D. |
|----------|----------|---|------------|
| 1 | 31834 | Shaft & Lever Assy., Throttle | 1 |
| 2 | 631279A | Spring, Throttle Return | 1 |
| 3 | 631036 | Shutter, Throttle. | 1 |
| 4 | 650506 | Screw, Rd. Hd., 4-40 x 3/16 | 2 |
| 5 | 630766 | Spring, Idle Regulating Screw | 2 |
| 5A | 630738 | Spring, Main Adjustment Screw | 1 |
| 6 | 650417 | Screw, Idle Regulating | 1 |
| 7 | 630973 | Shaft & Lever Assy., Choke. | 1 |
| 8 | 632045 | Spring, Choke Return. | 1 |
| 9 | 631037 | Shutter, Choke | 1 |
| 10 | *630748 | Plug, Welch | 1 |
| 11 | *631027 | Plug, Welch | 1 |
| 12 | *631021 | Inlet Needle, Seat & Clip Assy., (Incl. No. 13) | 1 |
| 13 | 631022 | Clip, Inlet Needle | 1 |
| 14 | 632019 | Float, Carburetor | 1 |

| REF. NO. | PART NO. | DESCRIPTION | NO. REQ'D. |
|----------|----------|---|------------|
| 15 | *631024 | Shaft, Float | 1 |
| 16 | 631867 | Bowl, Float | 1 |
| 17 | 631972 | Retainer, Dust Seal | 1 |
| 18 | 631971 | Seal, Dust | 1 |
| 19 | 631184 | Washer, Flat | 2 |
| 20 | 631183 | Washer, Felt | 1 |
| 21 | 27110 | Gasket, Bowl-To-Body | 1 |
| 22 | *631026 | Adjustment Screw Assy., Main (Incl. Nos. 5A, 21, 23 & 30) | 1 |
| 23 | *630740 | "O" Ring, Adjustment Screw. | 2 |
| 24 | *631078 | Screw, Idle Adjustment | 1 |
| 25 | *631028 | Gasket, Bowl-To-Body | 1 |
| 26 | 631806 | Fitting, Fuel Inlet | 1 |
| 30 | 630739 | Washer, Flat | 2 |
| 31 | 631029 | Repair Kit (Incl. Items marked *) | 1 |