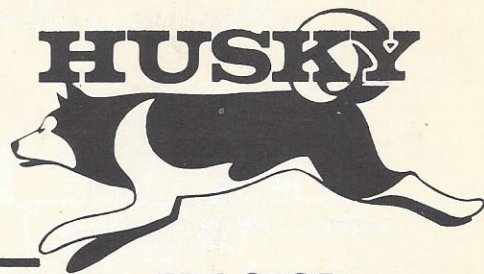


BOLENS



TRACTOR
MODELS 1054-03 &
1054-04

ILLUSTRATED PARTS CATALOG



PORT WASHINGTON, WISCONSIN, U.S.A.
PRINTED IN U.S.A.

TRACTOR ASSEMBLY MODELS 1054-03 AND 1054-04

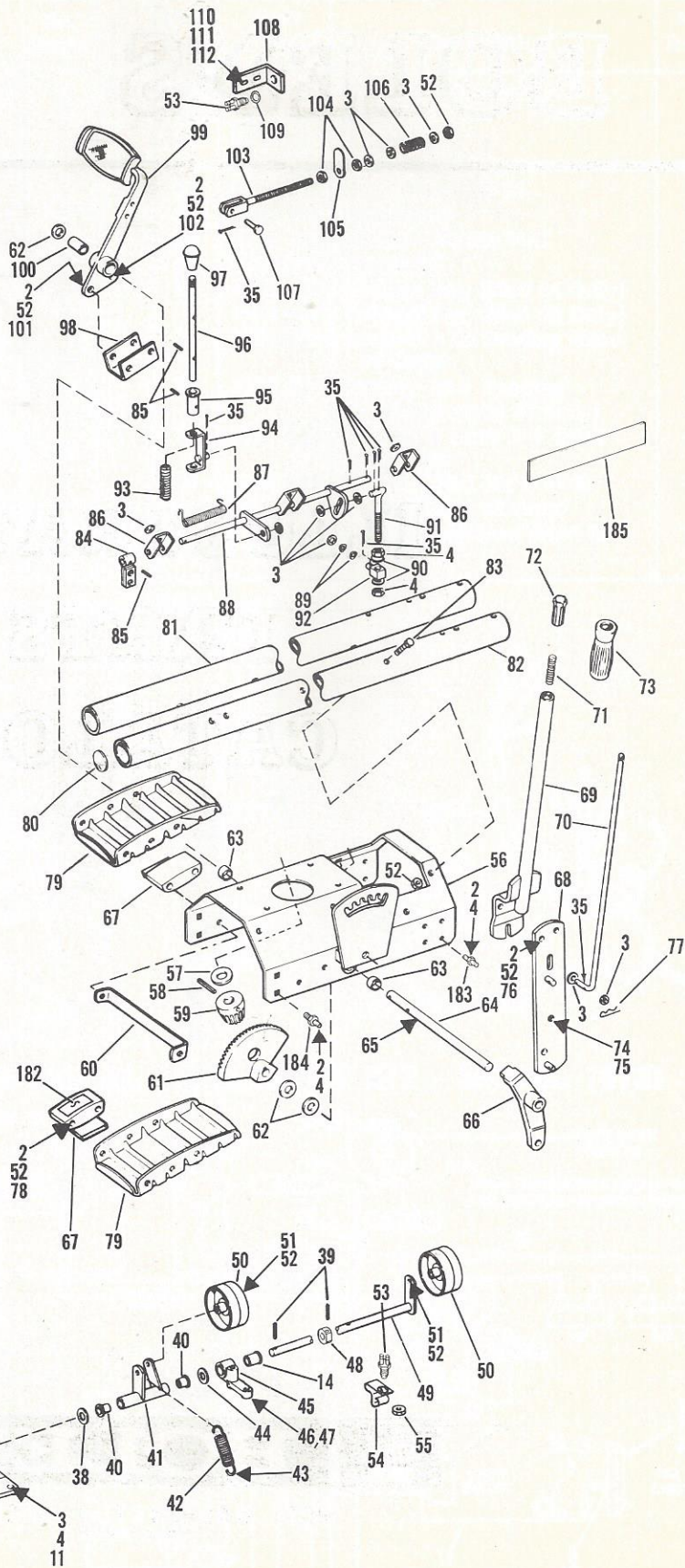
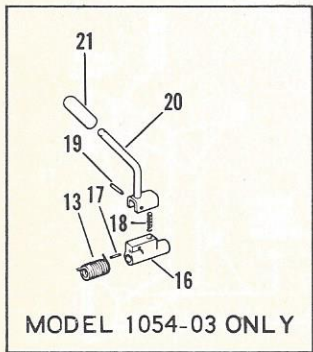
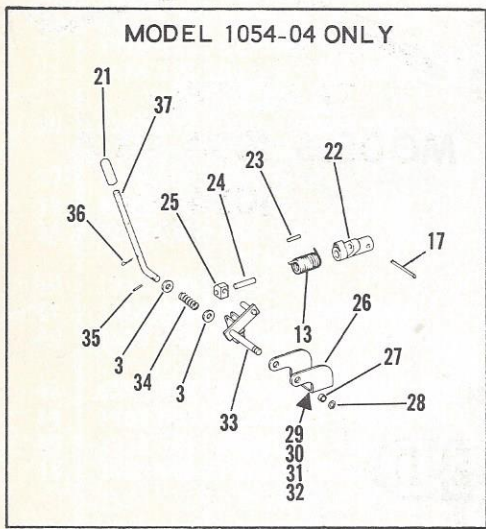


Figure 1

TRACTOR ASSEMBLY MODELS 1054-03 AND 1054-04

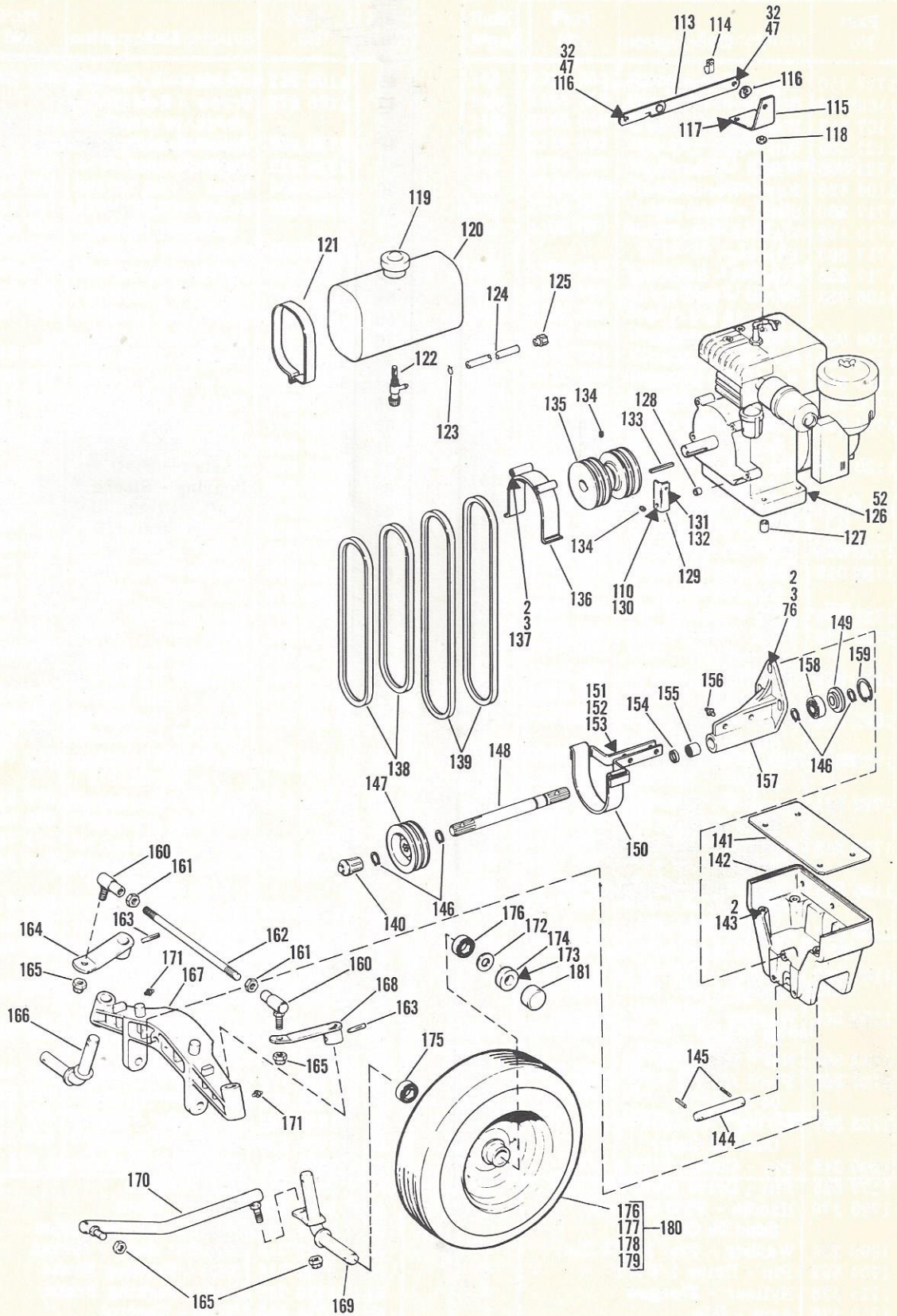


Figure 1

TRACTOR ASSEMBLY MODELS 1054-03 AND 1054-04

(Parts List For Figure 1)

Ref. No.	Part No.	Description	No. Req'd
1	1722 750	Cap - Steering Wheel	1
2	1100 243	Washer - Lock 3/8	26
3	1107 383	Washer - Flat 3/8	21
4	1121 509	Nut - Hex 3/8-16	7
5	1721 805	Wheel - Steering	1
6	1104 436	Key - Woodruff 3/16 x 3/4	1
7	1717 269	Shaft - Steering	1
8	1713 122	Washer - Bowed	1
9	1717 263	Bearing	1
10	1717 258	Support - Steering	1
11	1106 923	Screw - Hex Hd Cap 3/8-16 x 1-1/4	4
12	1104 954	Fitting - Grease	1
13	1715 680	Spring - Torsion	1
14	1185 647	Bearing - Nylon	2
15	1706 782	Washer - Bowed	1
16	1715 679	Pivot - PTO Control (Inc Ref #17) (Mod 03 Only)	1
17	1120 210	Pin - Roll 3/16 x 1	1
18	1713 391	Spring - Compression (Mod 03 Only)	1
19	1704 692	Pin - Drive (Mod 03 Only)	1
20	1722 013	Rod Assy - PTO Control (Mod 03 Only)	1
21	1721 896	Grip - Plastic	1
22	1723 370	Pivot - PTO Control (Mod 04 Only)	1
23	1185 892	Pin - Drive 1/8 x 1 (Mod 04 Only)	1
24	1891 696	Pin - Drive 5/16 x 1-1/2 (Mod 04 Only)	1
25	1723 368	Block - Pivot (Mod 04 Only)	1
26	1723 381	Support - PTO Control (Mod 04 Only)	1
27	1714 243	Bushing - Nylon (Mod 04 Only)	2
28	1185 257	Ring - Retaining (Mod 04 Only)	2
29	1106 874	Screw - Hex Hd Cap 5/16-18 x 3/4 (Mod 04 Only)	2
30	1107 382	Washer - Flat 5/16 (Mod 04 Only)	2
31	1100 242	Washer - Lock 5/16 (Mod 04 Only)	2
32	1182 563	Nut - Hex 5/16-18	4
33	1723 380	Pivot Assy - PTO (Mod 04 Only)	1
34	1723 367	Spring - Compression (Mod 04 Only)	1
35	1100 346	Pin - Cotter 3/32 x 3/4	10
36	1177 625	Pin - Drive (Mod 04 Only)	1
37	1723 379	Handle - PTO Control (Mod 04 Only)	1
38	1890 234	Washer - Flat 1-1/2 Dia	1
39	1704 692	Pin - Drive 1/8 x 1	2
40	1715 538	Nyliner - Flanged	2
41	1716 576	Arm - Idle	1
42	1716 728	Spring - Compression	1
43	1185 584	Pin - Cotter 3/16 x 3/4	1
44	1107 385	Washer - Flat 1/2	1
45	1716 590	Support - Idler Shaft	1

Ref. No.	Part No.	Description	No. Req'd
46	1100 242	Washer - Lock 5/16	2
47	1106 872	Screw - Hex Hd Cap 5/16-18 x 5/8	4
48	1720 962	Cam - Interlock Switch	1
49	1716 615	Shaft Control	1
50	1716 584	Idler - Flat	2
51	1106 930	Screw - Hex Hd Cap 3/8-16 x 1-3/4	2
52	1110 108	Nut - Self Locking 3/8-16	22
53	1720 963	Switch - Safety Interlock	2
54	1722 717	Spring - Interlock Actuating	1
55	1721 070	Pal Nut 9/16-18	1
56	1717 315	Plate Assy - Mounting	1
57	1708 012	Washer - Flat	1
58	1185 284	Pin - Drive 1/4-2	1
59	1713 811	Pinion - Steering	1
60	1713 397	Bar - Support	1
61	1713 809	Gear - Steering	1
62	1705 092	Washer - Flat	3
63	1185 558	Bearing - Sleeve	2
64	1714 840	Shaft - Cross	1
65	1100 350	Pin - Cotter 1/8 x 1	2
66	1716 563	Arm - Steering	1
67	1713 474	Spacer - Foot Rest	2
68	1714 575	Lift Assy - Tool	1
69	1714 577	Handle Assy - Tool	1
70	1714 645	Rod	1
71	1713 075	Spring - Compression	1
72	1714 644	Plunger - Tool Lift	1
73	1715 575	Grip - Tool Lift	1
74	1107 035	Screw - Hex Hd Cap 1/2-13 x 2	1
75	1185 496	Nut - Self Locking Jam 1/2-13	1
76	1106 921	Screw - Hex Hd Cap 3/8-16 x 1-1/8	5
77	1703 011	Spring - Cotter	1
78	1106 940	Screw - Hex Hd Cap 3/8-16 x 3	4
79	1713 483	Foot Rest	2
80	1723 281	Cap	2
81	1722 015	Frame - Tube LH	1
82	1722 014	Frame - Tube RH	1
83	1106 938	Screw - Hex Hd Cap 3/8-16 x 2-3/4	1
84	1713 780	Shoe Assy - Brake	1
85	1703 066	Pin - Drive 1/8 x 3/4	2
86	1713 772	Bracket - Brake Rod	2
87	1721 253	Spring - Torsion	1
88	1716 723	Rod Assy - Brake	1
89	1703 616	Washer - Bowed	2
90	1103 995	Washer - Shakeproof 3/8	2
91	1716 719	Rod - Brake	1
92	1714 663	Block - Pivot	1
93	1716 724	Spring - Compression	1
94	1716 716	Bracket Assy - Spring	1
95	1716 718	Stop - Parking Brake	1
96	1716 717	Rod - Parking Brake	1
97	1715 546	Knob - Control	1
98	1717 268	Lug	1
99	1717 372	Pedal - Clutch	1
100	1185 582	Bearing - Sleeve	1
101	1117 713	Screw - Flat Hd 3/8-16 x 1	1

TRACTOR ASSEMBLY MODELS 1054-03 AND 1054-04

(Parts List For Figure 1) - Continued

Ref. No.	Part No.	Description	No. Req'd
102	1106 919	Screw - Hex Hd Cap 3/8-16 x 1	1
103	1716 582	Rod Assy - Clutch	1
104	1121 551	Nut - Hex Jam 3/8-16	2
105	1722 729	Actuator - Spring	1
106	1714 655	Spring	1
107	1112 587	Pin - Clevis 3/8	1
108	1722 730	Support - Switch	1
109	1185 844	Washer - Shakeproof 9/16	1
110	1100 241	Washer - Lock 1/4	3
111	1107 381	Washer - Flat 1/4	2
112	1107 177	Screw - Hex Hd Cap 1/4-28 x 1/2	2
113	1717 236	Stop Assy - Hood	1
114	1721 037	Clip	1
115	1717 244	Bracket	1
116	1705 905	Washer - Bowed	2
117	1103 204	Screw - Hex Hd Cap 5/16-18 x 2-1/2	2
118	1714 720	Spacer	1
119	1723 473	Cap - Gas Tank	1
120	1721 579	Tank - Gasoline	1
121	1723 413	Strap - Gas Tank	2
122	1723 518	Outlet - Gas Tank	1
123	1718 185	Clamp - Hose	5
124	1723 519	Line - Fuel	1
125	1723 521	Filter - Fuel Line	1
126	1185 880	Screw - Hex Hd Cap 3/8-16 x 3-3/4HT	4
127	1714 648	Spacer	4
128	1714 721	Spacer	1
129	1723 356	Bracket - Throttle	1
130	1106 852	Screw - Hex Hd Cap 1/4-20 x 2	1
131	1114 755	Screw - Rd Hd #10-32 x 5/8	1
132	1100 240	Washer - Lock #10	1
133	1187 474	Key - 1/4 Sq x 2-1/4	1
134	1185 919	Screw - Set 5/16-18 x 3/8 (W-Point)	2
135	1716 592	Sheave - Engine	1
136	1716 642	Guide Assy - Belt	1
137	1106 936	Screw - Hex Hd Cap 3/8-16 x 2-1/2	2
138	1716 571	Belt - 3/4" (Matched Set of 2)	1
139	1716 570	Belt - 42-1/2" (Matched Set of 2)	1
140	1714 132	Crutch Tip	2
141	1713 394	Plate - Cover	1
142	1717 270	Support - Axle	1
143	1111 614	Screw - Hex Hd Cap 3/8-16 x 3 HT	4

Ref. No.	Part No.	Description	No. Req'd
144	1713 383	Pivot - Axle	1
145	1185 232	Pin - Drive 3/16 x 1-1/4	2
146	1185 649	Ring - Retaining	4
147	1716 594	Sheave - PTO	1
148	1721 597	Shaft - PTO (Inc Ref 149)	1
149	1721 590	Washer - Seal	1
150	1716 647	Guide Assy - Belt	1
151	1106 880	Screw - Hex Hd Cap 5/16-18 x 1-1/8	2
152	1100 242	Washer - Lock 5/16	2
153	1182 563	Nut - Hex 5/16-18	2
154	1185 224	Seal - Oil	1
155	1185 010	Bearing - Needle	1
156	1104 954	Fitting - Grease	1
157	1715 785	Support - PTO	1
158	1185 605	Bearing - Ball	1
159	1118 730	Ring - Retaining	1
160	1713 361	Ball Joint	2
161	1103 926	Nut - Hex Jam 1/2-20	2
162	1713 385	Rod - Tie	1
163	1891 696	Pin - Drive 5/16 x 1-1/2	2
164	1723 354	Tie Rod Arm Assy - LH	1
165	1110 152	Nut - Self Locking 1/2-20	4
166	1723 346	Spindle Assy - LH	1
167	1723 343	Axle - Front	1
168	1723 355	Tie Rod Arm Assy - RH	1
169	1723 345	Spindle Assy - RH	1
170	1717 462	Link - Drag	1
171	1185 976	Fitting - Grease	2
172	1218 98	Washer	4
173	1187 857	Screw - Hex Soc Hd 1/4-20 x 1	2
174	1716 197	Collar - Wheel Retaining	2
175	1185 616	Bearing - Ball	2
176	1185 615	Bearing - Ball	2
176	1715 855	Valve Stem Assy	2
177	1715 789	Wheel Only	2
178	1717 441	Tire 16 x 6:50 x 8	2
179	1104 954	Fitting - Grease	2
180	1717 357	Wheel & Tire (Inc Ref 175-179)	2
181	1715 899	Dust Cap 1-1/2 ID (Some Models)	2
	1721 245	Dust Cap 1-5/8 ID (Some Models)	2
182	1723 063	Decal - Clutch Pedal (Model 03 Only)	1
183	1722 848	Pin - Front	2
184	1722 849	Pin - Rear	2
185	1723 711	Plate - Reinforcement	2

TRACTOR ASSEMBLY MODELS 1054-03 AND 1054-04

(Parts List For Figure 2)

Ref. No.	Part No.	Description	No. Req'd
1	1716 736	Transmission Assy (See Fig. 3 for breakdown)	1
2	1714 101	Hitch	1
3	1100 245	Washer - Lock 1/2	2
4	1121 511	Nut - Hex 1/2-13	2
5	1715 866	Wheel & Tire Assy - Rear (Inc Ref # 6, 7 & 8)	2
6	1715 787	Wheel Only	2
7	1715 856	Tubeless Tire 8 x 12	2
8	1716 011	Valve Stem Assy	2
9	1010 85	Bolt - Hub	10
10	1713 461	Cap - Mounting	4
11	1100 243	Washer - Lock 3/8	10
12	1106 930	Screw - Hex Hd Cap 3/8-16 x 1-3/4	8
13	1723 382	Quadrant - PTO (Mod 04 Only)	1
14	1713 472	Quadrant - PTO (Mod 03 Only)	1
15	1723 542	Decal - PTO (Mod 04 Only)	1
16	1721 072	Decal - PTO (Mod 03 Only)	1
17	1106 872	Screw - Hex Hd Cap 5/16-18 x 5/8	8
18	1107 382	Washer - Flat 5/16	12
19	1110 107	Nut - Self Locking 5/16-18	2
20	1185 211	Screw - Hex Hd Thd Cutting 1/4-20 x 1-1/2	2
21	1187 612	Washer - Lock 1/4	2
22	1723 550	Decal - Instruction (Mod 04 Only)	1
	1721 069	Decal - Instruction (Mod 03 Only)	1
23	1721 896	Grip - Plastic	1
24	1723 559	Grip - Handle (Mod 04 Only)	1
	1715 546	Grip - Handle (Mod 03 Only)	1
25	1716 585	Coupling - Shaft	1
26	1110 107	Nut - Self Locking 5/16-18	10
27	1110 818	Screw - Knl Soc Hd Cap 5/16-18 x 3/4	4
28	1716 561	Coupling - Bonded	1
29	1717 243	Shaft Assy - Drives	1
30	1713 432	Pin - Drive 3/16 x 1-1/4	1
31	1714 649	Spring	1
32	1113 526	Ring - Retaining	1
33	1704 479	Bearing	1
34	1110 202	Pin Dowel	2
35	1219 00	Washer - Bowed	2
36	1714 666	Yokè - Clutch	2
37	1714 639	Retainer - Bearing	1
38	1714 665	Spacer	1
39	1106 927	Screw - Hex Hd Cap 3/8-16 x 1-1/2	2
40	1110 108	Nut - Self Locking 3/8-16	2
41	1714 664	Spacer	1

Ref. No.	Part No.	Description	No. Req'd
42	1713 122	Washer - Bowed	3
43	1100 242	Washer - Lock 5/16	12
44	1106 874	Screw - Hex Hd Cap 5/16-18 x 3/4	2
45	1100 346	Pin - Cotter 3/32 x 3/4	2
46	1713 167	Spring - Compression	2
47	1716 618	Brake Plate Assy (Inc Ref #48)	1
48	1716 599	Friction Disc Only	1
49	1716 637	Bracket Assy - RH	1
50	1716 638	Bracket Assy - LH	1
51	1716 586	Stop - Clutch Pedal	1
52	1106 878	Screw - Hex Hd Cap 5/16-18 x 1	4
53	1716 596	Flange - Clutch	1
54	1716 583	Spring Compression	1
55	1185 432	Race - Thrust	1
56	1717 240	Sheave & Facing Assy (Inc Ref #57)	1
57	1716 599	Friction Disc	2
58	1185 471	Bearing - Needle	2
59	1716 598	Flange - Clutch	1
60	1717 293	Support - Bearing	1
61	1185-588	Bearing - Flange	2
62	1185 587	Bearing - Self Aligning	1
63	1717 238	Spacer - Special	1
64	1100 246	Washer - Lock 9/16	1
65	1110 153	Nut - Self Locking 9/16-18	1
66	1185 023	Washer - Flat 9/16	1
67	1714 656	Support - Yoke	1
68	1722 928	Decal - Lift Lever (Mod 03 Only)	1

MODEL 18829 AGRI. TIRE KIT

69	1719 370	Wheel and Tire Assy R.H.	1
	1719 371	Wheel and Tire Assy L.H.	1
	1715 787	Wheel Assy	2
	1716 011	Valve	2
	1716 971	Tire 23 x 8.50 x 12	2

MODEL 18833 TERRA TIRE KIT

	1722 521	Wheel and Tire Assy	2
	1715 787	Wheel Assy	2
	1716 011	Valve	2
	1722 522	Tire 23 x 10.50 x 12	2

MODEL 18834 AGRI. TIRE KIT

	1723 196	Wheel and Tire Assy	2
	1715 787	Wheel Assy	2
	1716 011	Valve	2
	1723 199	Tire 23 x 10.50 x 12	2

TRACTOR ASSEMBLY MODELS 1054-03 AND 1054-04

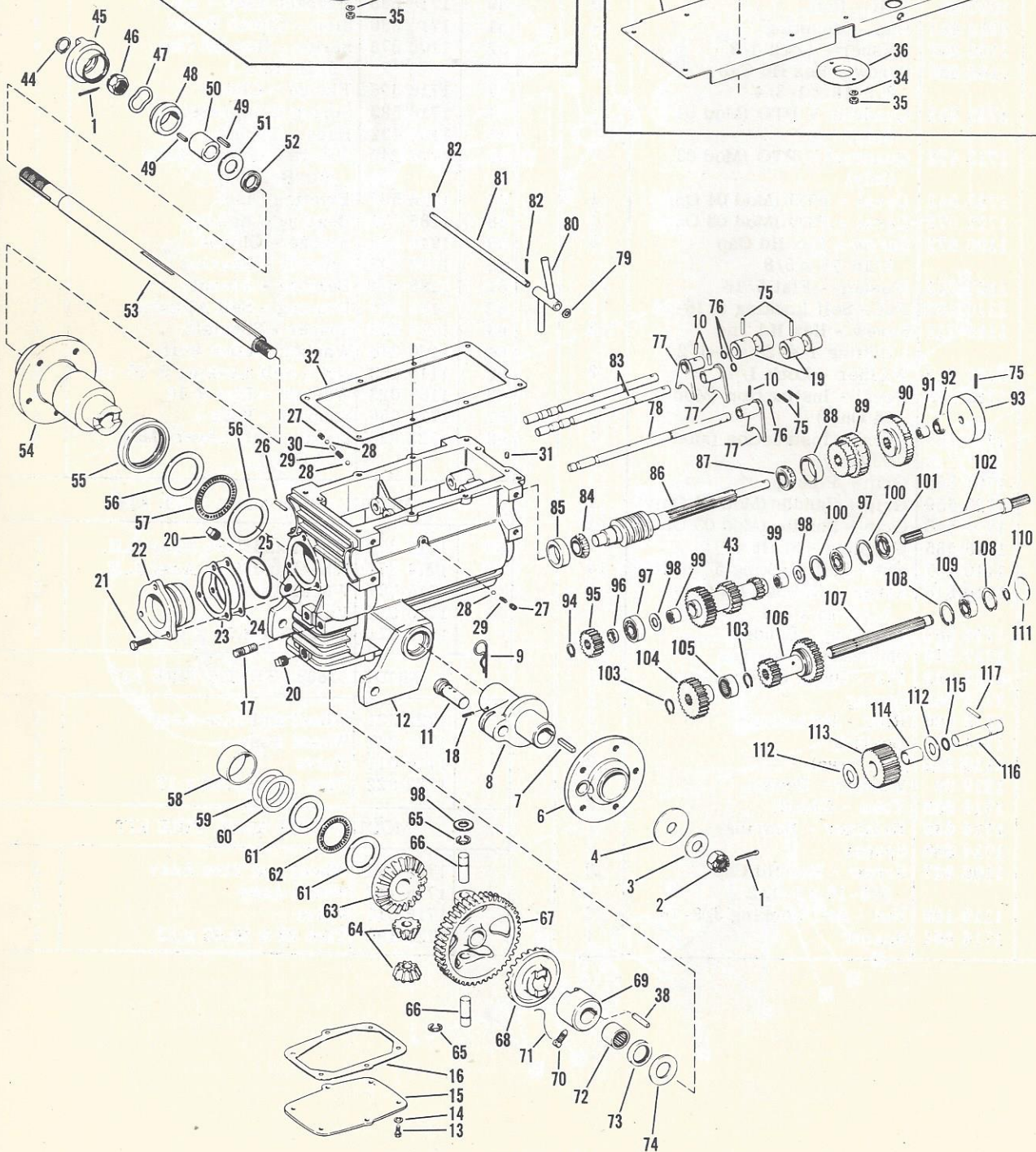
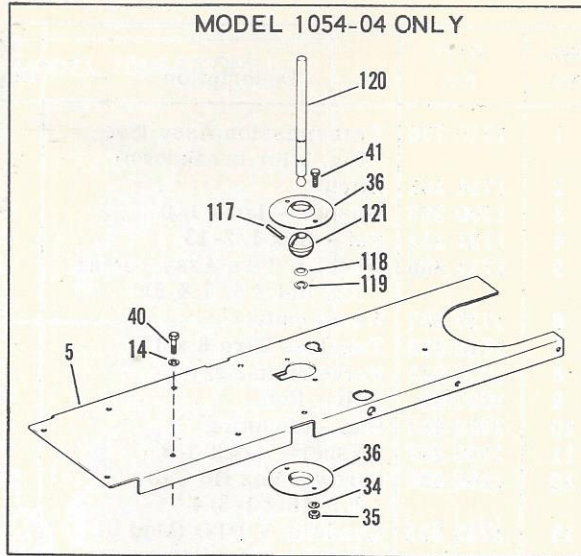
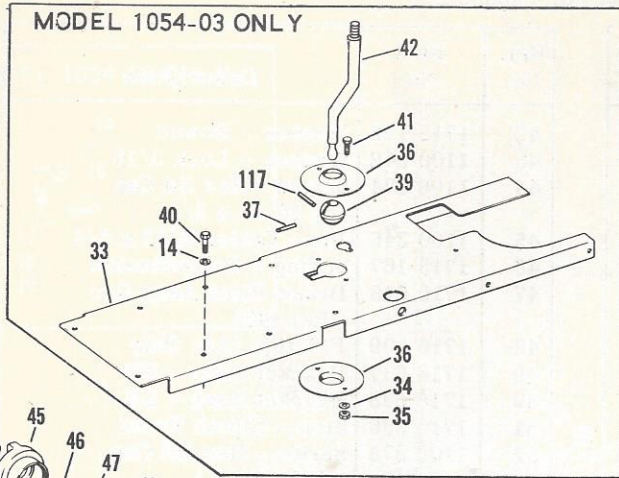


Figure 3

TRACTOR ASSEMBLY MODELS 1054-03 AND 1054-04

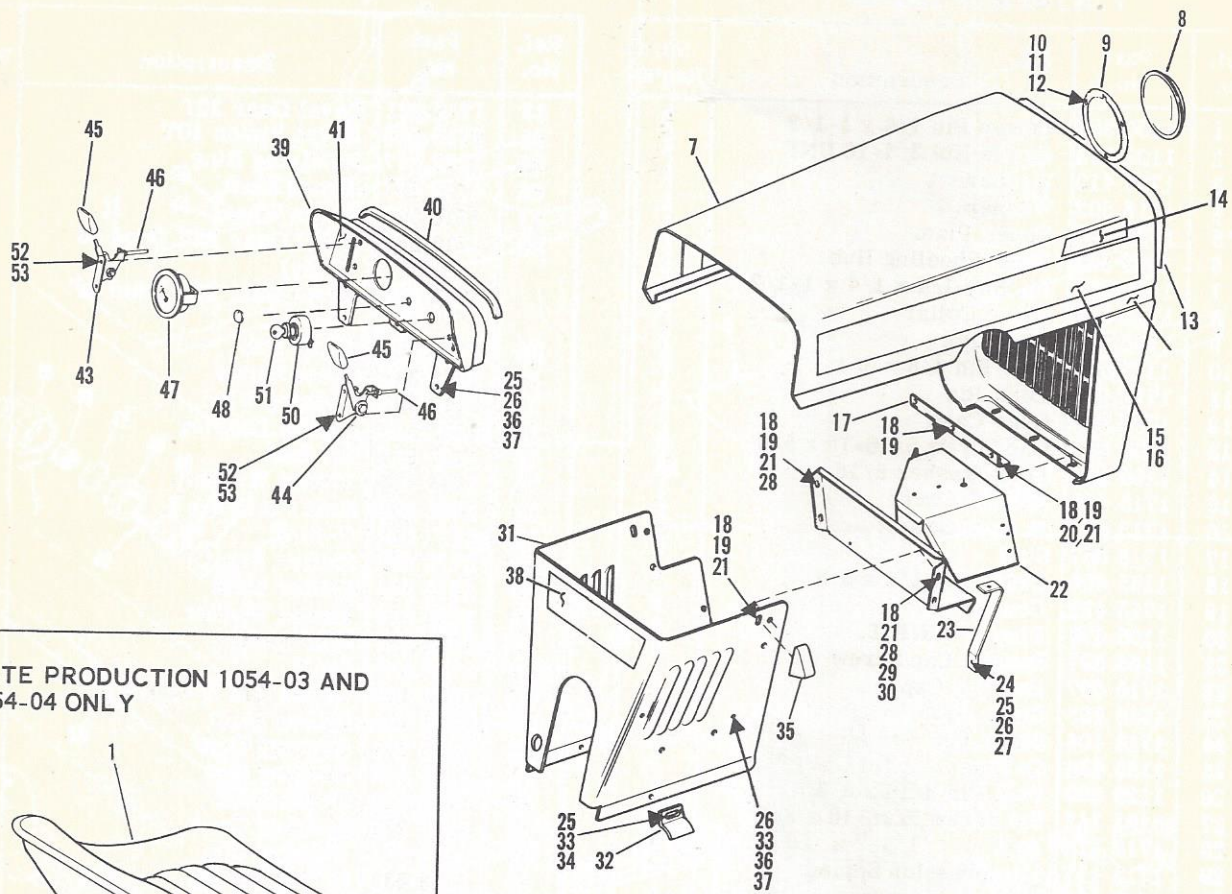
(Parts List For Figure 3)

Ref. No.	Part No.	Description	No. Req'd
1	1100 352	Cotter Pin 1/8 x 1-1/2	2
2	1109 653	Castle Nut 3/4-16 UNF	1
3	1707 410	Washer	1
4	1716 502	Washer	1
*5	1723 436	Cover Plate	1
6	1723 583	Free Wheeling Hub	1
7	1104 337	Sq. Key 1/4 x 1/4 x 1-1/2	1
8	1716 506	Drive Collar	1
9	1185 590	Hitch Pin	1
10	1177 625	Roll Pin 1/8 x 3/4	3
11	1713 426	Lock Pin	1
12	1716 517	Gear Case	1
13	1106 872	Cap Screw 5/16-18 x 5/8	6
14	1100 242	Lock Washer 5/16	14
15	1713 428	Bottom Cover	1
16	1713 427	Bottom Gasket	1
17	1718 067	Stud	2
18	1185 409	Drive Pin 1/4 x 5/8	1
19	1713 422	Connector	2
20	1105 678	Plug 3/8 N.P.T.	2
21	1185 637	Special Cap Screw	3
22	1716 497	Bearing Cap	1
23	1716 493	Shim .0125	AR
24	1716 494	Shim .005	AR
25	1185 636	O-Ring	1
26	1120 209	Roll Pin 3/16 x 3/4	1
27	1185 342	Set Screw 5/16-18 x 3/8	2
28	1713 416	Ball	3
29	1713 417	Compression Spring	2
30	1713 421	Pin	1
31	1826 82	Breather	1
32	1713 429	Top Gasket	1
*33	1722 002	Cover Plate	1
*34	1100 241	Lock Washer 1/4	2
*35	1121 507	Hex Nut 1/4-20	2
*36	1713 455	Bearing Retainer	2
*37	1110 181	Dowel Pin	1
38	1703 053	Square Key 1/4	1
*39	1722 004	Pivot Ball	1
*40	1106 876	Cap Screw 5/16-18 x 7/8	8
*41	1106 832	Cap Screw 1/4-20 x 5/8	2
*42	1722 005	Shift Lever	1
43	1716 477	Gear & Shaft	1
44	1180 025	Retaining Ring	1
45	1714 564	Adjusting Nut	1
46	1120 129	Hex Nut 1-14 UNF	1
47	1721 357	Spring Washer (Mod 03 Only)	4
	1714 572	Spring Washer (Mod 04 Only)	4
48	1714 562	Drive Cone	1
49	1104 336	Sq. Key 1/4 x 1/4 x 1	2
50	1714 561	Coupling	1
51	1713 468	Thrust Washer	1
52	1185 295	Oil Seal	1
53	1716 507	Axle	1
54	1716 511	Wheel Hub	1
55	1185 643	Oil Seal	1
56	1185 640	Thrust Race	2
57	1185 641	Thrust Bearing	1
58	1185 644	Bronze Bearing	1
59	1716 498	Shim .0125"	AR
60	1716 499	Shim .005"	AR
61	1185 638	Thrust Race	2
62	1185 639	Thrust Bearing	1

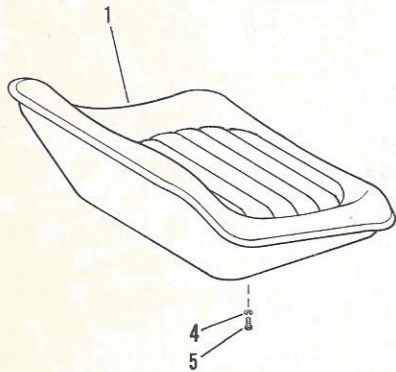
Ref. No.	Part No.	Description	No. Req'd
63	1716 501	Bevel Gear 22T	1
64	1713 466	Bevel Pinion 10T	2
65	1177 567	Retaining Ring	2
66	1713 467	Pinion Shaft	2
67	1716 513	Worm Wheel	1
68	1716 689	Bevel Gear 22T (Mod 03 Only)	1
	1716 501	Bevel Gear 22T (Mod 04 Only)	1
69	1716 503	Drive Hub	1
70	1716 519	Drive Screw	2
71	1716 692	Locking Wire	1
72	1185 645	Needle Bearing	1
73	1185 642	Oil Seal	1
74	1716 504	Thrust Washer	1
75	1704 692	Roll Pin 1/8 x 1	5
76	1177 388	O-Ring	3
77	1716 489	Shifter Arm	3
78	1716 514	Shifter Shaft	1
*79	1703 616	Bowed Washer	1
*80	1722 003	Shift Lever	1
*81	1716 530	Shaft	1
*82	1100 346	Cotter Pin 3/32 x 3/4	2
83	1713 424	Shifter Shaft	2
84	1185 201	Bearing Cone	1
85	1185 202	Bearing Cup	1
86	1713 408	Worm Shaft	1
87	1185 275	Bearing Cone	1
88	1185 276	Bearing Cup	1
89	1713 439	Sliding Gear	1
90	1713 409	Gear 38T	1
91	1185 165	Needle Bearing	1
92	1891 820	Oil Seal	1
93	1713 597	Brake Drum	1
94	1185 668	Retaining Ring	1
95	1716 490	Gear 19T	1
96	1716 495	Spacer	1
97	1185 634	Ball Bearing	2
98	1712 763	Washer	6
99	1185 074	Needle Bearing	2
100	1700 012	Retaining Ring	2
101	1185 633	Oil Seal	1
102	1717 125	Input Shaft	1
103	1113 527	Retaining Ring	2
104	1716 491	Gear 28T	1
105	1185 635	Needle Bearing	1
106	1716 480	Gear & Shaft	1
107	1716 492	Splined Shaft	1
108	1118 723	Retaining Ring	2
109	1104 439	Ball Bearing	1
110	1118 807	Retaining Ring	1
111	1200 029	Expansion Plug	1
112	1707 546	Flat Washer	2
113	1713 412	Gear 28T	1
114	1185 113	Bronze Bearing	1
115	1185 360	O-Ring	1
116	1713 419	Idler Shaft	1
117	1185 232	Roll Pin 3/16 x 1-1/4	1
118	1706 782	Bowed Washer	1
119	1118 804	Retaining Ring	2
*120	1723 557	Shift Lever	1
*121	1713 423	Pivot Ball	1

* Indicates Parts Not Included With Gear Case Assembly Part No. 1716736.

TRACTOR ASSEMBLY MODELS 1054-03 AND 1054-04



LATE PRODUCTION 1054-03 AND 1054-04 ONLY



EARLY PRODUCTION 1054-03 ONLY

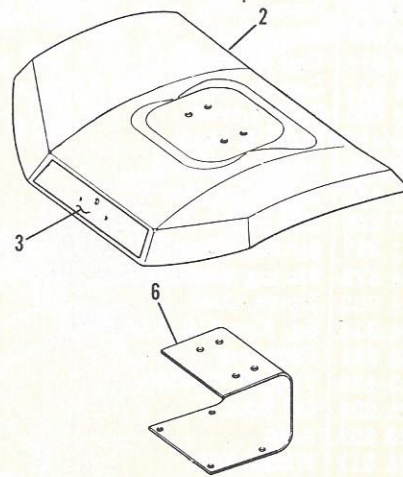
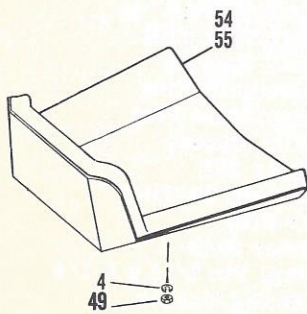


Figure 4

TRACTOR ASSEMBLY MODELS 1054-03 AND 1054-04

(Parts List For Figure 4)

Ref. No.	Part No.	Description	No. Req'd
1	1723 699	Seat	1
2	1717 221	Fender	1
3	1721 648	Decal - Rear	1
4	1100 243	Washer - Lock 3/8	2
5	1106 915	Screw - Hex Hd Cap 3/8-16 x 3/4	2
6	1713 415	Support - Seat	1
7	1717 220	Hood & Grille Assy	1
8	1717 262	Lens	2
9	1719 708	Ring - Retaining	2
10	1185 748	Wave Washer	6
11	1185 746	Ratchet - Plate	6
12	1185 911	Rivet	6
13	1722 752	Decal - Trademark	1
14	1722 764	Decal - Bolens	2
15	1722 757	Decal - Husky 1054 RH	1
16	1722 758	Decal - Husky 1054 LH	1
17	1717 246	Hinge	1
18	1100 242	Washer - Lock 5/16	12
19	1106 872	Screw - Hex Hd Cap 5/16-18 x 5/8	11
20	1182 563	Nut - Hex 5/16-18	3
21	1107 382	Washer - Flat 5/16	16
22	1722 927	Shield Assy - Heat	1
23	1721 659	Support - Heat Shield	1
24	1106 832	Screw - Hex Hd Cap 1/4-20 x 5/8	2
25	1107 381	Washer - Flat 1/4	8
26	1121 507	Nut - Hex 1/4-20	9
27	1187 612	Washer - Lock 1/4	2
28	1110 107	Nut - Self Locking 5/16-18	4
29	1106 874	Screw - Hex Hd Cap 5/16-18 x 3/4	1
30	1177 548	Washer - Shakeproof 5/16	1
31	1723 397	Panel Assy - Rear (Mod 04 Only)	1
	1722 082	Panel Assy - Rear (Mod 03 Only)	1

Ref. No.	Part No.	Description	No. Req'd
32	1714 642	Brace	2
33	1115 931	Screw - Phil Rec Hd 1/4-20 x 5/8	4
34	1185 456	Nut - Tinnerman	2
35	1717 232	Latch	2
36	1721 252	Clip - J	3
37	1100 241	Washer - Lock 1/4	7
38	1723 508	Decal - Instruction (Mod 04 Only)	1
	1722 939	Decal - Instruction (Mod 03 Only)	1
39	1723 391	Panel - Instrument	1
40	1717 599	Pad - Rubber	1
41	1723 506	Decal - Instrument Panel	1
42	1717 859	Tape - Strip (68" Long)	1
43	1723 310	Control - Choke (Inc Ref 45 & 46)	1
44	1723 311	Control - Throttle (Inc Ref 45 & 46)	1
45	1715 312	Knob - Control Assy	2
46	1712 051	Control Wire Only	2
47	1714 146	Ammeter	1
48	1722 505	Plug - Button	1
49	1110 108	Nut - Self Locking 3/8-16	2
50	1721 409	Ignition Switch (Inc Ref 51)	1
51	1718 266	Key Only	1
52	1185 985	Nut w/Lock Washer (Keps) #10-24	4
53	1116 287	Screw - Oval Hd Phil Rec #10-24 x 5/8	4
54	1717 351	Pan - Seat	1
55	1721 647	Pad - Seat	1

(Parts List For Figure 5)

Ref. No.	Part No.	Description	No. Req'd
1	1716 636	Lead - Ground	1
2	1722 976	Wire - Lead	1
3	1723 012	Wire - Lead	1
** 4	1717 256	Light Switch	1
5	1721 413	Boot - Battery Term	1
** 6	1717 597	Taillight Assy (Inc Ref 7 & 8)	1
7	*	Bulb (GE 1889)	1
** 8	1718 234	Lens Only	1
** 9	1100 240	Washer - Lock #10	2
**10	1109 845	Nut #10-32	2
**11	1114 755	Screw #10-32 x 5/8	2
**12	1718 020	Wire - Lead	1
**13	1717 369	Lead Headlight	1
**14	1717 394	Lead Headlight	1
**15	1717 370	Lead Headlight	2
16	1719 708	Ring - Retaining	2
**17	*	Headlight Bulb (GE 4406)	2

Ref. No.	Part No.	Description	No. Req'd
**18	1717 581	"S" Clip	3
19	1719 510	Lead - Battery	1
20	1185 746	Spring Clip	6
21	1185 911	Rivet	6
22	1185 748	Washer - Wave	6
23	1720 976	Fuse - 20 Amp	1
**24	1721 018	Wire - Lead	1
**25	1717 922	Lead - Taillight Ground	1
26	1721 038	Connector	1
27	1722 937	Interlock Wire Harness	1
28	1723 358	Lead - Wire (Mod 04 Only)	1
29	1723 360	Wiring Harness (Mod 04 Only)	1
	1722 936	Wiring Harness (Mod 03 Only)	1
30	1106 872	Screw - Hex Hd Cap 5/16-18 x 5/8	1
31	1110 107	Nut - Self Locking 5/16-18	4

ELECTRICAL GROUP AND COMPONENT PARTS

(Parts List For Figure 5) - Continued

Ref. No.	Part No.	Description	No. Req'd
32	1724 056	Label - Battery Instruction	1
33	1718 027	Battery	1
34	1718 111	Carrier - Battery	1
35	1118 378	Screw - Rd Hd 5/16-18 x 1/2	4
36	1185 873	Nut - Speed "U" Type 5/16-18	4
37	1718 108	Clamp Rod - Battery	2
38	1720 538	Clamp - Battery	2
39	1709 652	Nut - Locking Wing 1/4-20	2
40	1714 690	Belt	1
41	1714 688	Strap - Belt Adj	1
42	1100 078	Screw - Hex Hd Cap 5/16-18 x 7/8	4
43	1100 242	Washer - Lock 5/16	6
44	1107 382	Washer - Flat 5/16	1
45	1716 315	Support - Generator	1
46	1100 808	Screw - Hex Hd Cap 5/16-18 x 1-1/4	2

Ref. No.	Part No.	Description	No. Req'd
47	1716 169	Starter - Generator	1
48	1708 293	Sheave	1
49	1717 048	Solenoid	1
50	1182 563	Nut - Hex 5/16-18	2
51	1109 845	Nut - Hex #10-32	1
52	1185 986	Speed Nut	5
53	1185 987	Screw - Rd Hd Phil	5
54	1721 897	Terminal	1
55	1723 480	Voltage Reg (Mod 04 Only)	1
	1708 287	Voltage Reg (Mod 03 Only)	1
56	1723 357	Bracket - Grounding (Mod 04 Only)	1
57	1185 854	Screw - Self Tapping #14 x 12 (Mod 03 Only)	2
58	1187 612	Washer - Lock 1/4 (Mod 03 Only)	4
59	1115 931	Screw - Phil Hd 1/4-20 x 5/8 (Mod 03 Only)	2
60	1185 456	Nut - Tinnerman (Mod 03 Only)	2

* Not Stocked. Purchase from Your Local Automotive or Electrical Supplier.

** Component Part of 18721 Light Kit.

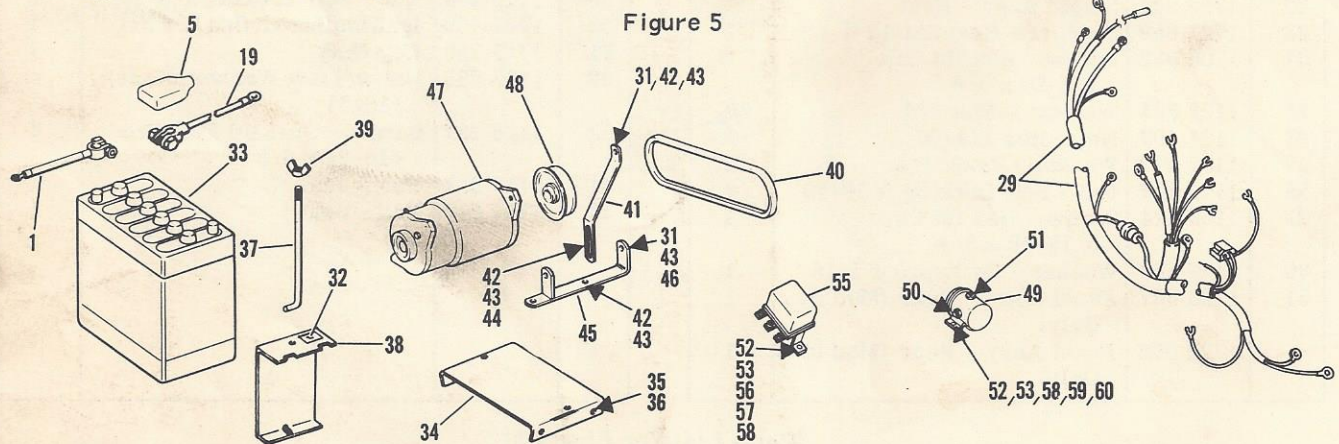


Figure 5

WIRING DIAGRAM WITH OPTIONAL DUAL LIGHT KIT - MODEL 18721

