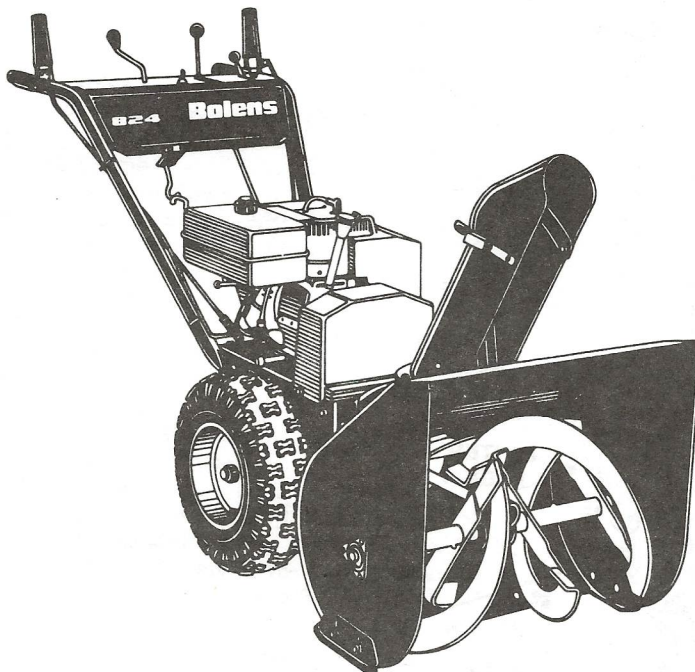

Bolens[®]

Snow Thrower



Models 824

Serial Number
0700101 thru
0799999

Models 824A

Serial Number
0200101 thru
0299999

Models 1026

Serial Number
0600101 thru
0699999

Models 1032

Serial Number
0800101 thru
0899999

Parts List

24, 26 & 32 INCH SNOWTHROWER

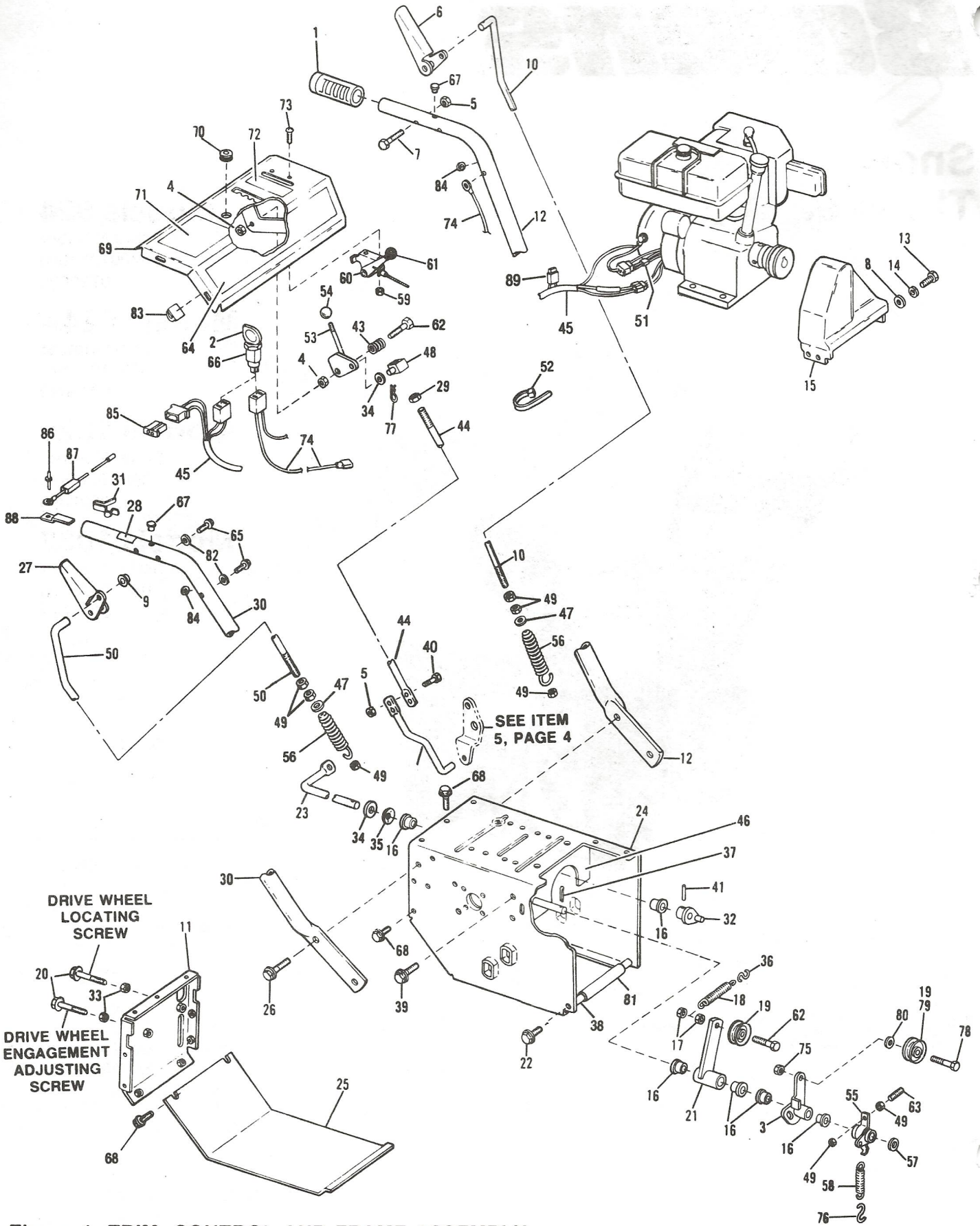


Figure 1. TRIM, CONTROL AND FRAME ASSEMBLY

MODELS 824, 824A, 1026 & 1032

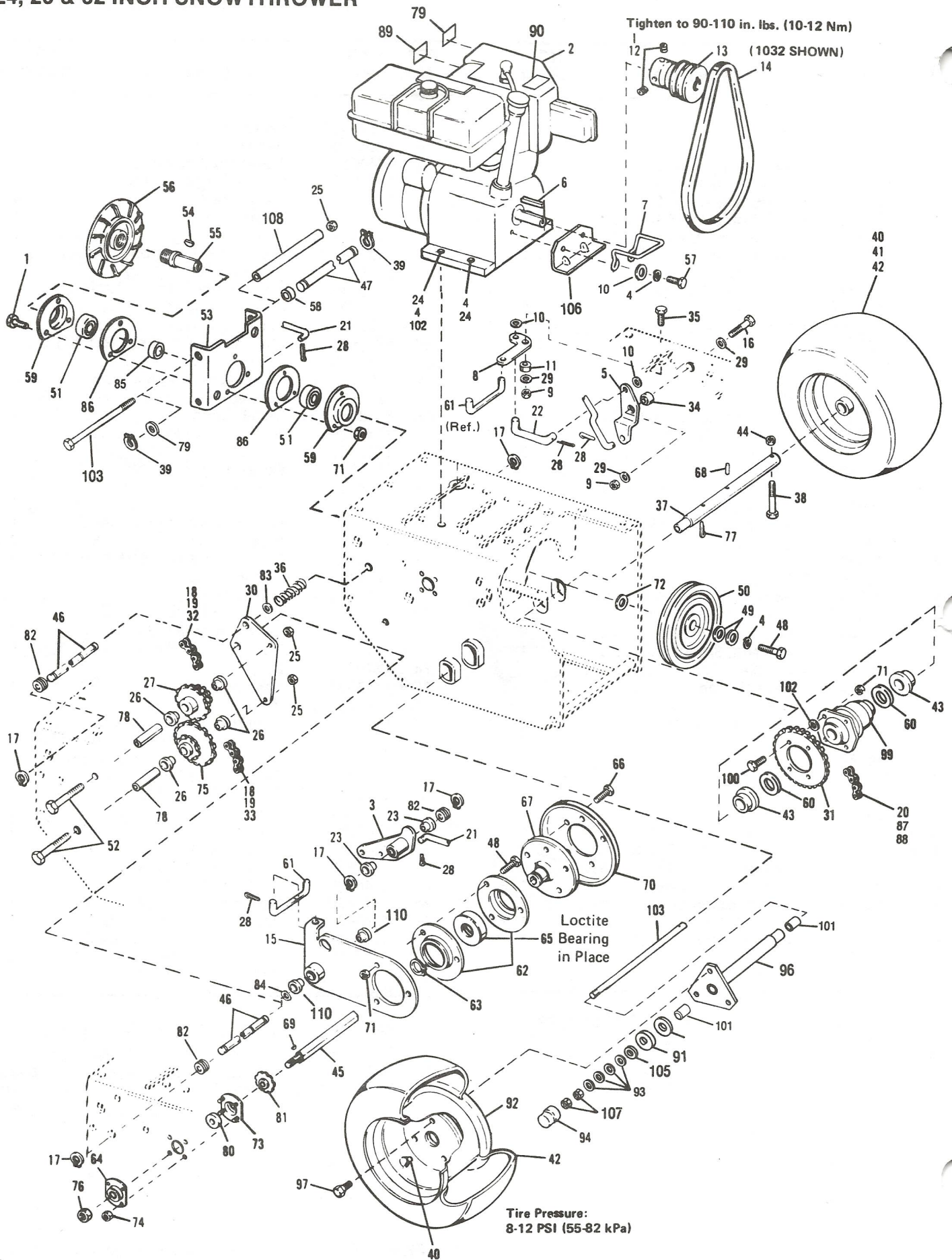
REF. NO.	PART NO.	DESCRIPTION	NO. REQ'D
1	1745576	Handle Grip	2
2	1727326	Key Only	1
3	1739937	Idler Arm	1
4	• 1733398	Lock Nut 5/16	2
5	1734398	Hex Lock Nut, 1/4-20	4
6	1745672BDG	L.H. Control Handle	1
7	• 1111601	Hex Screw, 1/4-20 x 1-3/4	2
8	• 1107382	Flat Washer, 5/16	2
9	1728072	Push Nut	2
10	1739734	Clutch Control Rod	1
11	1739757BDG	Back Plate	1
12	1750909BDG	L.H. Handle	1
13	• 1100044	Hex Hd. Screw, 5/16-18 x 3/4	2
14	• 1100242	Lockwasher, 5/16	2
15	1755775	Belt Guard	1
16	1715716	Bushing	6
17	1185506	Self Locking Jam Nut, 3/8-16	2
18	1740011	Extension Spring	1
19	1729440	Idler (1) (2)	2
	1729440	Idler (3) (4)	1
20	• 1186334	Fl. Screw, 5/16-18 x 1-3/4	2
21	1739935	Idler Arm	1
22	1186329	Fl. Hd. Screw, 5/16-18 x 3/4	2
23	1739942	Control Arm	1
24	1745857BDG	Frame	1
25	1739838BDG	Bottom Cover	1
26	• 1186345	Flange Screw, 3/8-15 x 3/4	4
27	1745673BDG	R.H. Control Handle	1
28	1755799	Decal, Interlock	1
29	• 1186231	Hex Nut, 3/8-16	1
30	1750910BDG	Handle	1
31	1745674	Snap Button	1
32	1739932	Control Arm	1
33	• 1186258	Hex Nut, 5/16-18	2
34	1890234	Flat Washer, 1/2	2
35	1706782	Bowed Washer	1
36	1740989	Hook	1
37	• 1100356	Cotter Pin, 3/32 x 1	1
38	1739756	Cross Member	1
39	• 1186328	Flange Screw, 5/16-18 x 5/8	6
40	• 1100805	Hex Screw 1/4-20 x 3/4	2
41	1743493	Drive Pin, 1/8 x 3/4	2
42	1752107	Control Rod Lower	1
43	1713167	Compression Spring	1
44	1752106	Control Rod Upper	1
45	1748837	Wiring Harness (2) (3) (4)	1
46	1754272	Support Ass'y	1
47	• 1100241	Lock Washer 1/4	2

REF. NO.	PART NO.	DESCRIPTION	NO. REQ'D
48	1727053	Swivel Block	1
49	• 1186229	Hex Nut, 1/4-20	8
50	1740027	Auger Control Rod	1
51	1721038	Connector (2) (3) (4)	1
52	1735531	Tie Cable	4
53	1739715	Control Lever	1
54	1715817	Knob	1
55	1739941	Brake Arm Assembly	1
56	1739745	Extension Spring	2
57	• 1107385	Flat Washer 1/2"	1
58	1740990	Extension Spring	1
59	• 1185985	Ext. Lockwasher Nut, No. 10	2
60	1741648	Throttle Control (Incl. Ref. 61) ...	1
61	1737118	Control Knob	1
62	• 1100086	Hex Screw, 3/8-16 x 1-3/4	2
63	1741847	Socket Hd. Screw, 1/4-20 x 1-1/4	1
64	1755864	Decal (Logo) (1)	1
	1755865	Decal (Logo) (2)	1
	1755866	Decal (Logo) (3)	1
	1755867	Decal (Logo) (4)	1
65	• 1754128	Flange Lock Screw, 1/4-20 x 5/8	4
66	1727321	Ignition Switch (Incl. Ref. 2)	1
67	1750796	Wear Button	2
68	1724491	Thd. Form Screw 5/16-18 x 3/4	9
69	1754331BDG	Console Ass'y	1
70	1185585	Flip Grommet	1
71	1755810	Decal Instructions	1
72	1755804	Decal Throttle Control	1
73	• 1115815	Rd Hd Screw, No. 10-24 x 5/8	2
74	1740404	Lead (1)	1
75	• 1733398	Lock Nut, 3/8-16	1
76	1742250	Hook	1
77	1703011	Spring Clip	1
78	• 1100047	Hex Screw, 3/8-16 x 1-1/2 (1) (2)	1
	• 1100048	Hex Screw, 3/8-16 x 2 (3) (4)	1
79	1735914	Flat Idler (3) (4)	1
80	1708755	Flat Washer (3) (4)	1
81	1746607	Tube	1
82	• 1107381	Flat Washer, 1/4	4
83	1744879	Cord Clip (1)	1
	1744879	Cord Clip (2) (3) (4)	2
84	1748835	Bushing (2) (3) (4)	2
85	1748836	Connector Body (2) (3) (4)	1
86	1186424	Pop Rivet 1/8 (2) (3) (4)	2
87	1746515	Resistor Ass'y (2) (3) (4)	2
88	1746516	Clamp (2) (3) (4)	2
89	•	7.5 Amp. ato fuse	1

• Common Hardware - purchase locally (Grade 5 where applicable)

- (1) Model 824 S/N 0700101 thru 0799999
- (2) Model 824A S/N 0200101 thru 0299999
- (3) Model 1026 S/N 0600101 thru 0699999
- (4) Model 1032 S/N 0800101 thru 0899999

24, 26 & 32 INCH SNOWTHROWER



MODELS 824, 824A, 1026 & 1032

REF. NO.	PART NO.	DESCRIPTION	NO. REQ'D
1	• 1100045	Hex Screw 5/16-18 x 1.....	3
2	*	Tecumseh Engine HMSK 100 (3)	
		(4)	1
	*	Tecumseh Engine HMSK 80 (1)	
		(2)	1
3	1745485	Arm Assembly	1
4	• 1100242	Lockwasher, 5/16	7
5	1745441	Control Arm	1
6	1187474	Key, 1/4 Square x 1-1/4.....	1
7	1749177	Belt Guide.....	1
8	1745438	Control Arm	1
9	• 1733398	Lock Nut, 3/8-16	2
10	• 1107382	Flat Washer, 5/16	4
11	1745419	Pivot	1
12	1741846	Set Screw, 5/16-18 x 5/16.....	2
13	1754323	Engine Sheave (8 HP) (1) (2).....	1
	1751435	Engine Sheave (10 HP) (3) (4) ...	1
14	1751601	V-Belt 32"	1
15	1745483	Support Plate	1
16	• 1100047	Capscrew, 3/8-16 x 1-1/2	1
17	1118808	Retaining Ring.....	5
18	0182087	Offset Link (Half Link).....	1
19	1185013	Conn. Link, No. 41 Chain	3
20	1739454	Drive Chain, 1/2 No. 40.....	1
21	1745437	Control Link	1
22	1745435	Control Link	1
23	1714299	Flange Bushing	2
24	• 1100799	Hex Screw 5/16-18 x 1-1/2.....	4
25	• 1186393	Flange Lock Nut, 3/8-16	3
26	1739458	Flange Bearing	4
27	1745498	Sprocket Ass'y 9T/17T	1
28	• 1100346	Cotter Pin, 3/32 x 3/4.....	6
29	• 1100256	Flat Washer, 3/8	3
30	1739497	Support Plate	1
31	1739472	Sprocket 30T	1
32	1745879	Drive Chain No. 41	1
33	1745880	Drive Chain No. 41	1
34	1739728	Pivot	1
35	• 1100046	Hex Screw 3/8-16 x 1.....	1
36	1741647	Compression Spring	1
37	1755838	Axle Shaft	1
38	• 1755894	Hex Screw, 5/16-18 x 1-3/4	1
39	1118804	Retaining Ring.....	2
40	1718086	Valve Stem	2
41	1755860	Wheel Disc (1) (2) (3)	1
	1755862	Wheel Disc (4)	1
42	1755826	Tire 16-6.50 x 8 (1) (2) (3).....	2
	1755825	Tire 4.80/4.00 x 8 (4)	2
43	1739471	Flange Bushing 7/8	2
44	1732499	Lock Nut, 5/16-18	1
45	1739457	Hex Shaft	1
46	1745860	Shaft Support.....	2
47	1739462	Tube	1
48	• 1100044	Capscrew, 5/16-18 x 3/4	4
49	1713233	Washer, Flat Special	2
50	1745488	Sheave	1
51	1743433	Ball Bearing	2
52	• 1111615	Capscrew, 3/8-16 x 3-1/2	2

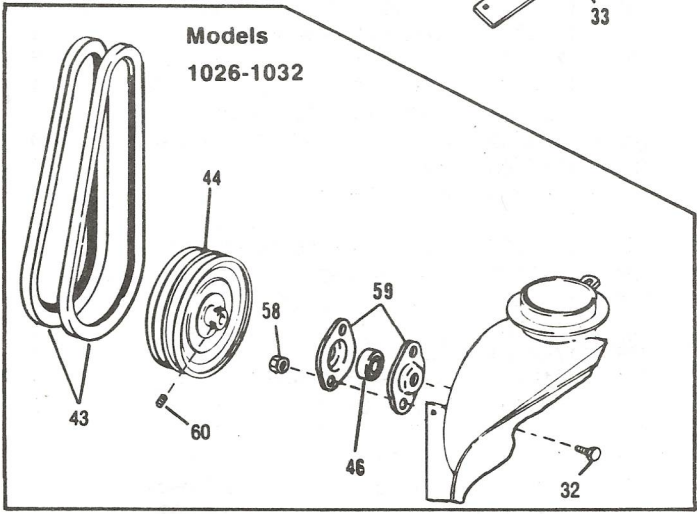
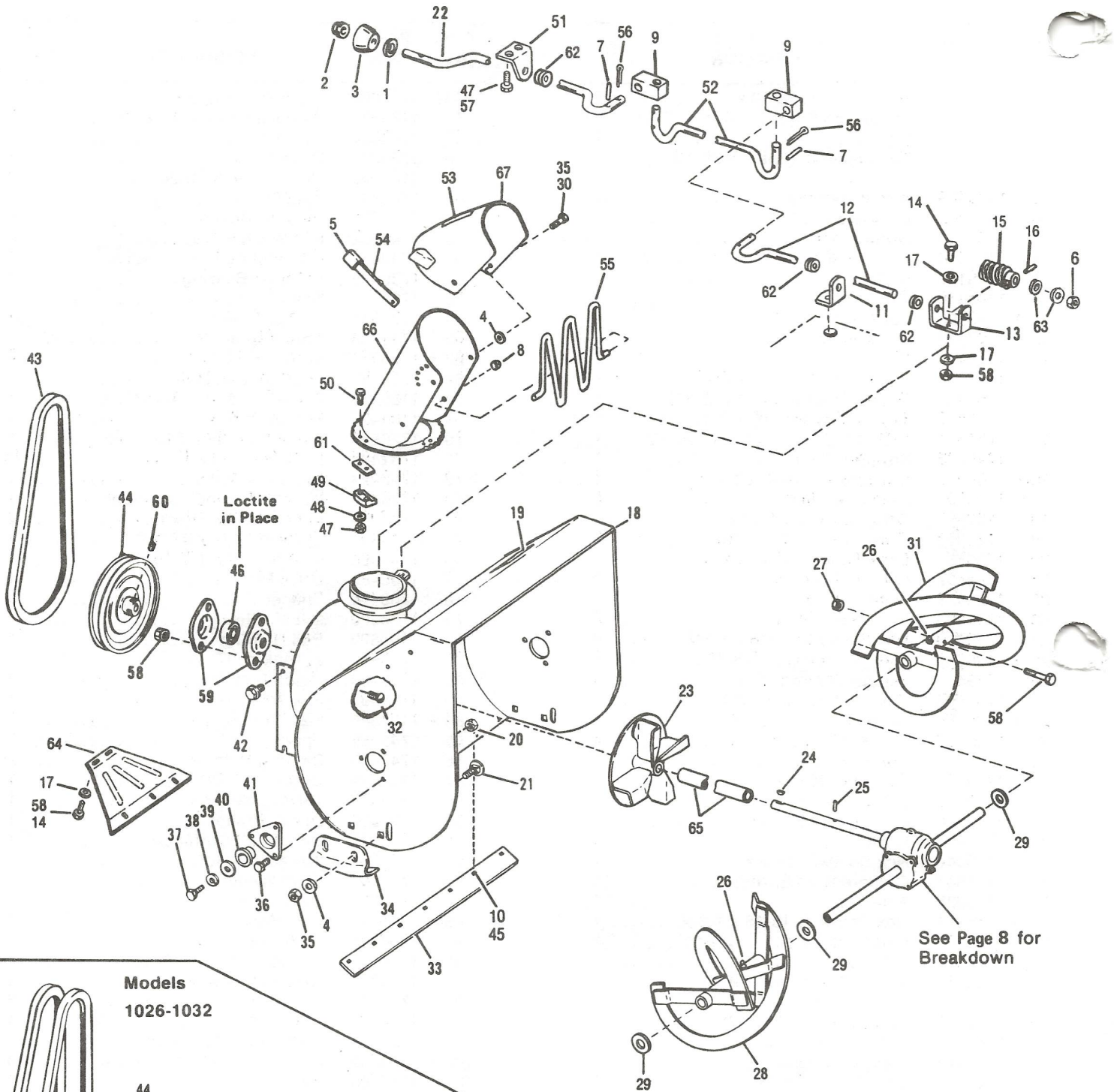
REF. NO.	PART NO.	DESCRIPTION	NO. REQ'D
53	1754302	Drive Disc Support	1
54	1185885	Woodruff Key, 3/16 x 5/8	1
55	1745535	Spindle	1
56	1720918	Drive Plate	1
57	• 1100005	Hex Screw, 5/16-24 x 1	2
58	1739461	Spacer	1
59	1739488	Bearing Retainer	2
60	• 1740002	Flat Washer 7/8	4
61	1745436	Connecting Link	1
62	1739485	Retainer Bearing	2
63	1736561	Snap Ring	1
64	1720811	Flange Bearing	1
65	1741733	Thrust Bearing.....	1
66	• 1186327	Screw, 5/16-18 x 1/2	5
67	1739490	Friction Disc Hub	1
68	1185376	Drive Pin, 3/16 x 1-1/2.....	1
69	1104435	Woodruff Key.....	1
70	1720859	Molded Friction Disc	1
71	1732499	Lock Nut, 5/16-18	11
72	1709224	Special Washer	1
73	1720810	Flange Bearing Assembly.....	1
74	1737938	Lock Nut No. 10-24	4
75	1745497	Sprocket Ass'y 9T/30T	1
76	• 1185496	Jam Nut, No. 1/2-13.....	1
77	1730483	Drive Pin	1
78	1739476	Spacer	2
79	1754329	Decal, Choke	1
80	1185808	Ball Bearing	1
81	1745495	Sprocket, 9T	1
82	1714233	Nylon Bushing.....	4
83	1705093	Flat Washer.....	1
84	• 1107386	Flat Washer 5/8	1
85	1745489	Spacer	1
86	1745490	Bearing Retainer.....	2
87	1185026	Conn. Link No. 40	1
88	1120213	Offset Link (Half Link).....	1
89	1754330	Decal, Primer	1
90	1754328	Decal, Hot Surface	1
91	1756230	Washer, D-Hole	1
92	1739804	Disc, Wheel (1) (2) (3)	1
	1739808	Disc, Wheel (4)	1
93	1746743	Disc Washer	4
94	1756231	Dust Cap	1
95	1746739	Friction Disc.....	1
96	1755840	Axle Tube Ass'y.....	1
97	1716223	Lug Bolt	3
98	1755837	Axle Shaft	1
99	1735861	Differential Assembly	1
100	• 1100808	Hex Screw 5/16-18 x 1-1/4	4
101	1745883	Nylon Bushing	2
102	• 1100255	Flat Washer 5/16	8
103	1746744	Axle Shaft (3) (4).....	1
104	1754303	Hex screw 3/8-16 x 8-1/2	1
105	1746739	Flat Washer.....	1
106	1754254	Engine Support	1
107	1186261	Jam nut 1/2-13.....	2
108	1754301	Tube	1
109	1746742	Washer Flat .50 dia.	1
110	1739460	Flange Bearing.....	2

• Common Hardware-purchase locally (Grade 5 where applicable)

* Purchase Parts from your Tecumseh, Lauson-Power Products Outlet

- (1) Model 824 S/N 0700101 thru 0799999
 (2) Model 824A S/N 0200101 thru 0299999
 (3) Model 1026 S/N 0600101 thru 0699999
 (4) Model 1032 S/N 0800101 thru 0899999

24, 26 & 32 INCH SNOWTHROWER



MODELS 824, 824A, 1026 & 1032

REF. NO.	PART NO.	DESCRIPTION	NO. REQ'D
1	1890945	Flat Washer, 3/8	1
2	1724791	Cap, Push On	1
3	1735868	Knob	1
4	• 1107383	Flat Washer, 3/8	6
5	1737499	Grip (3) (4)	1
	1737497	Grip (1) (2)	1
6	1185984	Fl. Lock Nut 3/8-16	1
7	1177625	Roll Pin, 1/8 x 3/4	5
8	1186048	Push Nut	2
9	1714782	Swivel Block	2
10	• 1186391	Lock Nut, 5/16-18 (1) (2) (3)	5
	• 1186391	Lock Nut, 5/16-18 (4)	7
11	1754424	Crank Support	1
12	1756141	Chute Control Shaft	1
13	1735869	Gear Support	1
14	• 1100044	Hex Head Capscrew, 5/16-18 x 3/4	4
15	1724870	Worm, 6 Thread, L.H.	1
16	1724885	Drive Pin, 3/32 x 3/4	1
17	• 1107382	Flat Washer, 5/16	4
18	1756645BDG	Housing Ass'y w/Decal 24" (Incl. Ref. 19) (1) (2)	1
	1756644BDG	Housing Ass'y w/Decal 26" (Incl. Ref. 19) (3)	1
	1756643BDG	Housing Ass'y w/Decal 32" (Incl. Ref. 19) (4)	1
19	1750691	Decal (Warning)	1
20	• 1734398	Lock Nut, 1/4-20	6
21	• 1186126	Carriage Bolt, 3/8-16 x 3/4	4
22	1754434	Chute Control Rod	1
23	1745799	Fan	1
24	1104436	Woodruff Key, 3/16 x 3/4	1
25	1185348	Roll Pin, 1/4 x 1-1/4	2
26	1185803	Grease Fitting	4
27	1720867	Shear Bolt	2
28	1725117	Auger, Right Hand (1) (2)	1
	1725113	Auger, Right Hand (3)	1
	1725109	Auger, Right Hand (4)	1
29	1185816	Special Washer, 1-1/64 Diameter	6
30	• 1100068	Hex Capscrew, 3/8-16 x 3/4	2
31	1725116	Auger, Left Hand (1) (2)	1
	1725112	Auger, Left Hand (3)	1
	1725108	Auger, Left Hand (4)	1

REF. NO.	PART NO.	DESCRIPTION	NO. REQ'D
32	• 1186098	Carriage Bolt, 5/16-18 x 3/4	2
33	1740553	Scraper Blade (1) (2)	1
	1720885	Scraper Blade (3)	1
	1725184	Scraper Blade (4)	1
34	1728567	Runner	2
35	• 1733398	Lock Nut, 3/8-16	6
36	• 1111599	Hex Capscrew, 1/4-20 x 5/8	6
37	• 1100053	Hex Capscrew, 1/2-13 x 3/4	2
38	• 1100245	Lockwasher, 1/2	2
39	• 1100257	Flat Washer, 1/2	2
40	1185846	Flange Bushing	2
41	1720922	Bearing Support	2
42	1185798	Fl. Lock Screw, 3/8-16 x 1/2	2
43	1739945	V-Belt, 38" Set (3) (4)	1
	1739944	V-Belt, 38" (1) (2)	1
44	1736000	Auger Sheave (3) (4)	1
	1725282	Auger Sheave (1) (2)	1
45	• 1186097	Carr. Bolt 5/16-18 x 5/8 (1) (2) (3)	5
	• 1186097	Carr. Bolt 5/16-18 x 5/8 (4)	7
46	1741640	Ball Bearing	1
47	• 1737938	Lock Nut, No. 10-24	8
48	• 1103959	Flat Washer, No. 10	6
49	1724869	Clip	3
50	• 1752461	Hex Head Sems Machine Screw, No. 10-24 x 7/8	6
51	1754369	Chute Control Support	1
52	1754433	Chute Control Crank	1
53	1750692	Decal (Warning)	1
54	1723643	Adjusting Lever	1
55	1743387	Guard, Chute	1
56	1185147	Cotter Pin, 3/32 x 1/2	3
57	1737940	Truss Screw 10-24 x 3/8	2
58	• 1732499	Lock Nut 5/16-18	8
59	1185838	Flange Bearing	2
60	1737419	Set Screw 5/16-18 x 3/4	2
61	1752460	Shim	3
62	1714243	Nylon Bushing	3
63	1737957	Nylon Washer	2
64	1754572	Support Housing	1
65	1755749	Sleeve	1
66	1753935	Discharge Chute Ass'y	1
67	1756642	Discharge Cap w/Decal	1
NI		Grease, Multi-Purpose 8oz.	

• Common Hardware-purchase locally (Grade 5 where applicable)

- (1) Model 824 S/N 0700101 thru 0799999
- (2) Model 824A S/N 0200101 thru 0299999
- (3) Model 1026 S/N 0600101 thru 0699999
- (4) Model 1032 S/N 0800101 thru 0899999

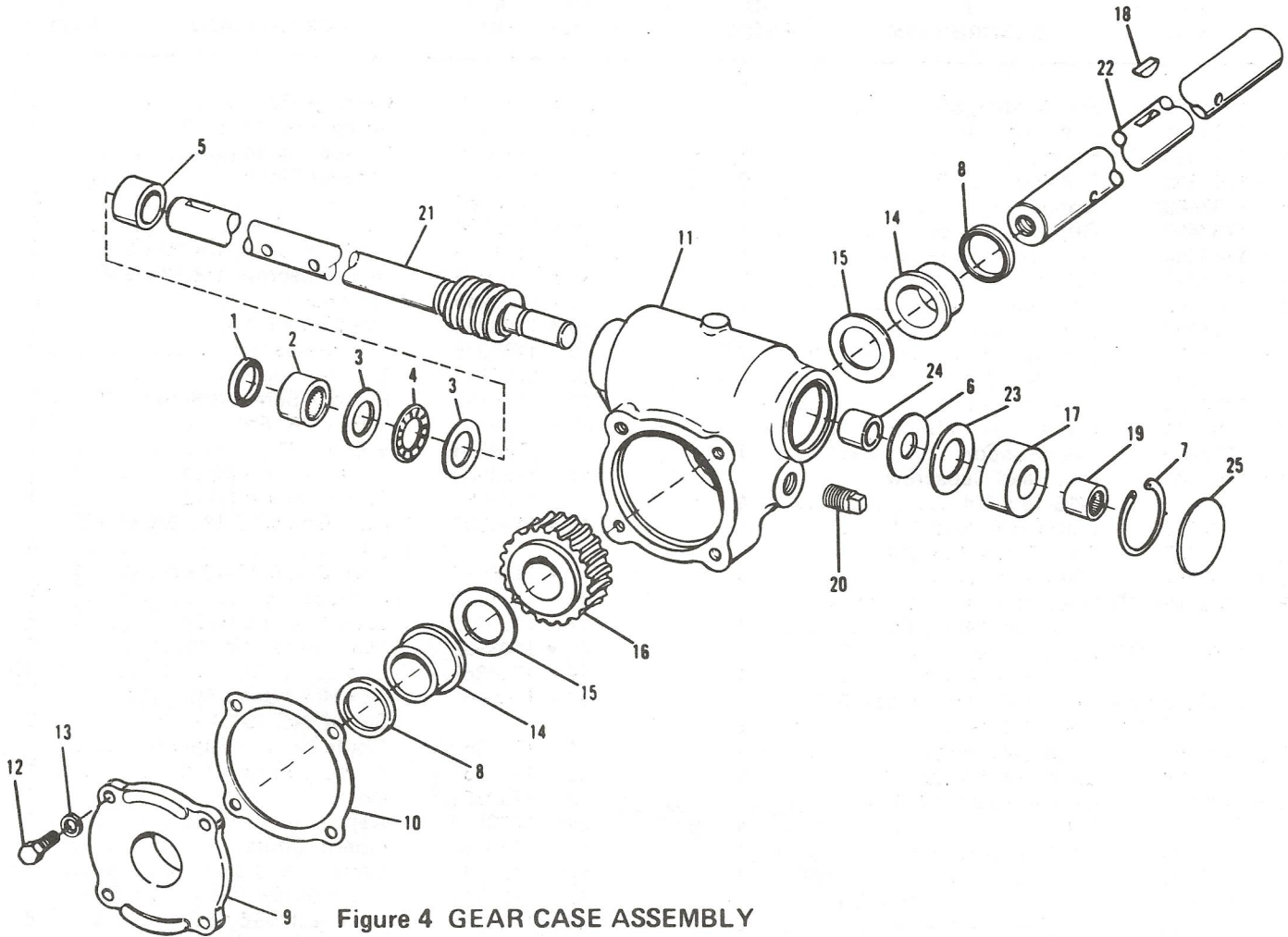


Figure 4 GEAR CASE ASSEMBLY

REF. NO.	PART NO.	DESCRIPTION	NO. REQ'D.	REF. NO.	PART NO.	DESCRIPTION	NO. REQ'D.
1	1185224	Oil Seal	1	16	1720933	Worm Gear, 20T	1
2	1185374	Needle Bearing	1	17	1720763	Spacer	1
3	1185841	Thrust Race	2	18	1100276	Woodruff Key, 1/4 x 7/8	1
4	1185431	Thrust Bearing	1	19	1185568	Needle Bearing	1
5	1741774	Spacer	1	20	1105620	Square Head Plug, 1/4-18 NPT	1
6	1185842	Washer	1	21	1739790	Impeller Shaft	1
7	1118726	Retaining Ring, Internal	1	22	1725135	Auger Shaft (Model 1032)	1
8	1185266	Oil Seal	2		1720894	Auger Shaft (Model 1026)	1
9	1720910	Gear Case Cover	1		1721715	Auger Shaft (Model 824/824A)	1
10	1720941	Cover Gasket	1	23	1185840	Thrust Race	1
11	1735894	Gear Case Only	1	24	1741775	Spacer	1
12	• 1111599	Capscrew, 1/4-20 x 5/8	4	25	1112634	Expansion Plug	1
13	• 1100241	Lockwasher, 1/4	4	NI	1723456	Gear Lube, EP 90	
14	1185728d	Flange Bearing	2				
15	1185815	Thrust Race	2				

• Common Hardware-purchase locally (Grade 5 where applicable)