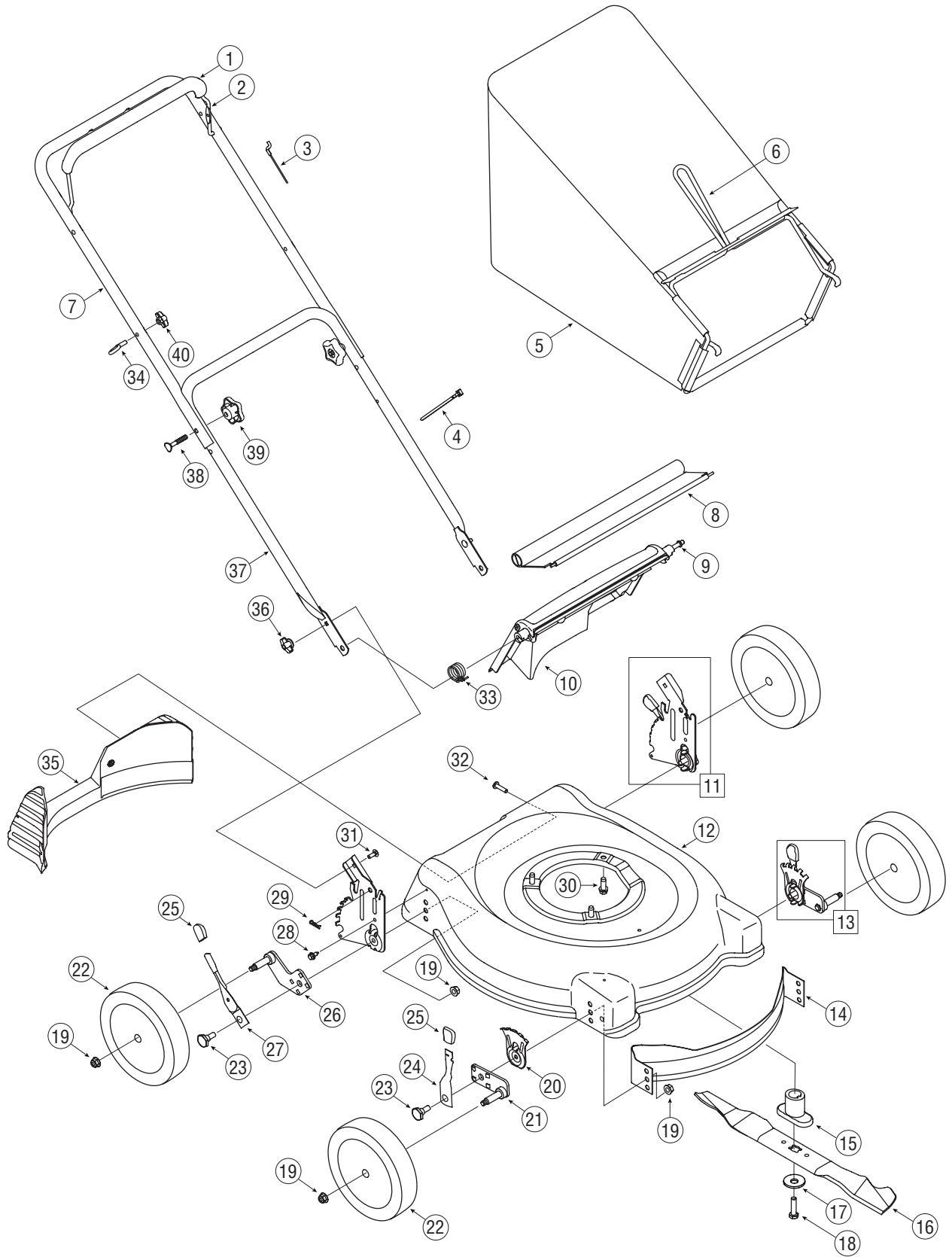


Model Series 420



8

Parts List



Ref.	Part No.	Description	Ref.	Part No.	Description
1	731-04204†	Blade Control Cover	21	687-02076A	Pivot Arm Assembly - LH
2	747-1161A	Blade Control		687-02077A	Pivot Arm Assembly - RH
3	746-1130	Control Cable - 40"	22	734-04014B	Wheel, 8 x 2.125 Gray Idle S-Wave
4	726-0240	Cable Tie	23	738-0507B	Shoulder Screw .500 x .434
5	664-04011	Grass Bag Assembly	24	732-0404	Spring Lever
6	747-04080	Grass Bag Frame	25	720-0426	Height Adjustment Knob
7	749-1092A	Upper Handle	26	687-02070A	Pivot Arm Assembly - LH
8	731-05642	Trailshield		687-02071A	Pivot Arm Assembly - RH
9	747-04587	Rear Door Pivot Rod	27	732-04175	Spring Lever
10	731-05865	Rear Discharge Door	28	710-1652	TT Screw 1/4-20 x .625
11	687-02271	Handle Bracket Assy - RH	29	714-0104	Hairpin Clip
	687-02270	Handle Bracket Assy - LH	30	710-0654A	TT Screw 3/8-16 x 1
12	787-01276	21-inch Deck	31	710-0703	Carriage Bolt, 1/4-20
13	687-02074A	Height. Adj. Assy. Front - RH	32	710-1241	HL Screw 1/4-15 x 1.00
	687-02075A	Height Adj. Assy. Front - LH	33	732-04090A	Torsion Spring - RH
14	782-5002B	Front Baffle	34	710-1205	Eye Bolt
15	748-0377C	Blade Adapter	35	731-04150C	Rear Baffle
16	742-0741	Blade	36	712-0397	Wing Nut
17	736-0452	Bell Washer, .396 x 1.140 x .095	37	749-0928A	Lower Handle
18	710-1257	HH Cap Screw, 3/8-24 x 2.50	38	710-1174	Carriage Bolt, 5/16-18 x 2
19	712-04065	Flange Lock Nut, 3/8-16	39	720-04072	Star Knob
20	787-01290	Height Adjustment Plate	40	720-0279	Handle Knob

† If Equipped